



**THE DATASHEET OF  
AD843BQ**



### FEATURES

#### AC PERFORMANCE

Unity Gain Bandwidth: 34 MHz  
Fast Settling: 135 ns to 0.01%  
Slew Rate: 250 V/ $\mu$ s  
Stable at Gains of 1 or Greater  
Full Power Bandwidth: 3.9 MHz

#### DC PERFORMANCE

Input Offset Voltage: 1 mV max (AD843K/B)  
Input Bias Current: 0.6 nA typ  
Input Voltage Noise: 19 nV/ $\sqrt{\text{Hz}}$   
Open Loop Gain: 30 V/mV into a 500  $\Omega$  Load  
Output Current: 50 mA min  
Supply Current: 13 mA max

Available in 8-Pin Plastic Mini-DIP & Cerdip, 16-Pin SOIC, 20-Pin LCC and 12-Pin Hermetic Metal Can Packages  
Available in Tape and Reel in Accordance with EIA-481A Standard

Chips and MIL-STD-883B Parts Also Available

#### APPLICATIONS

High Speed Sample-and-Hold Amplifiers  
High Bandwidth Active Filters  
High Speed Integrators  
High Frequency Signal Conditioning

### PRODUCT DESCRIPTION

The AD843 is a fast settling, 34 MHz, CBFET input op amp. The AD843 combines the low (0.6 nA) input bias currents characteristic of a FET input amplifier while still providing a 34 MHz bandwidth and a 135 ns settling time (to within 0.01% of final value for a 10 volt step). The AD843 is a member of the Analog Devices' family of wide bandwidth operational amplifiers. These devices are fabricated using Analog Devices' junction isolated complementary bipolar (CB) process. This process permits a combination of dc precision and wideband ac performance previously unobtainable in a monolithic op amp.

The 250 V/ $\mu$ s slew rate and 0.6 nA input bias current of the AD843 ensure excellent performance in high speed sample-and-hold applications and in high speed integrators. This amplifier is also ideally suited for high bandwidth active filters and high frequency signal conditioning circuits.

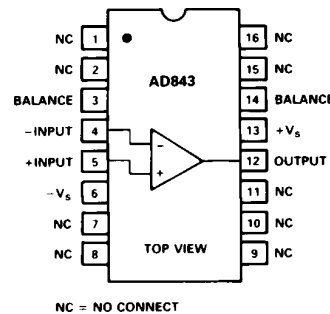
Unlike many high frequency amplifiers, the AD843 requires no external compensation and it remains stable over its full operating temperature range. It is available in five performance grades: the AD843J and AD843K are rated over the commercial temperature range of 0°C to +70°C. The AD843A and AD843B are rated over the industrial temperature range of -40°C to +85°C. The AD843S is rated over the military temperature range of -55°C to +125°C and is available processed to MIL-STD-883B, Rev. C.

### REV. D

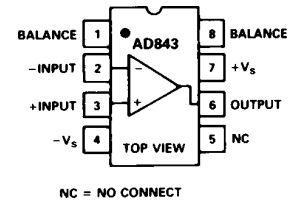
Information furnished by Analog Devices is believed to be accurate and reliable. However, no responsibility is assumed by Analog Devices for its use, nor for any infringements of patents or other rights of third parties which may result from its use. No license is granted by implication or otherwise under any patent or patent rights of Analog Devices.

### CONNECTION DIAGRAMS

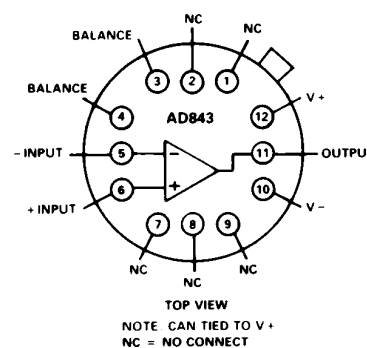
#### 16-Pin SOIC (R-16) Package



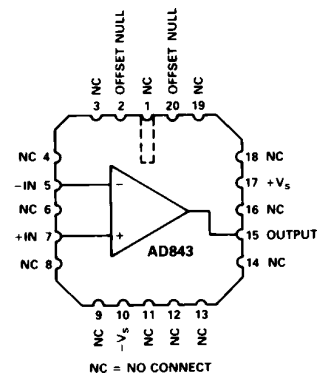
#### Plastic (N-8) and Cerdip (Q-8) Package



#### TO-8 (H-12A) Package



#### LCC (E-20A) Package



The AD843 is offered in either 8-pin plastic DIP or hermetic cerdip packages, in 16-pin SOIC, 20-Pin LCC, or in a 12-pin metal can. Chips are also available.

### PRODUCT HIGHLIGHTS

1. The high slew rate, fast settling time and low input bias current of the AD843 make it the ideal amplifier for 12-bit D/A and A/D buffers, for high speed sample-and-hold amplifiers and for high speed integrator circuits. The AD843 can replace many FET input hybrid amplifiers such as the LH0032, LH4104 and OPA600.
2. Fully differential inputs provide outstanding performance in all standard high frequency op amp applications such as signal conditioning and active filters.
3. Laser wafer trimming reduces the input offset voltage to 1 mV max (AD843K and AD843B).
4. Although external offset nulling is unnecessary in many applications, offset null pins are provided.
5. The AD843 does not require external compensation at closed loop gains of 1 or greater.

# AD843—SPECIFICATIONS (@ $T_A = +25^\circ\text{C}$ and $\pm 15\text{ V dc}$ , unless otherwise noted)

| Model   | Conditions   | AD843J/A  |  |          | AD843K/B  |                               |          | AD843S <sup>1</sup> |   |          | Units                                       |
|---|--|-----------|--|----------|-----------|-------------------------------|----------|---------------------|---|----------|---|
|   |  | Min       | Typ  | Max      | Min       | Typ                           | Max      | Min                 | Typ   | Max      |   |
| INPUT OFFSET VOLTAGE <sup>1</sup><br>Offset Drift   | $T_{\text{MIN}}-T_{\text{MAX}}$  | 1.0       | 2.0  |          | 0.5       | 1.0                           |          | 1.0                 | 2.0   |          | mV  |
|   |  | 1.7       | 4.0  |          | 1.2       | 2.0                           |          | 3.0                 | 4.5   |          | mV  |
| INPUT BIAS CURRENT  | Initial ( $T_J = +25^\circ\text{C}$ )  | 50        |  |          | 40        |                               |          | 50                  |   |          | pA  |
|   | Warmed-Up <sup>2</sup><br>$T_{\text{MIN}}-T_{\text{MAX}}$  | 0.8       | 2.5  | 60/160   | 0.6       | 1.0                           | 23/65    | 0.8                 | 2.5   | 2600     | nA<br>nA                                    |
| INPUT OFFSET CURRENT  | Initial ( $T_J = +25^\circ\text{C}$ )  | 30        |  |          | 20        |                               |          | 30                  |   |          | pA  |
|   | Warmed-Up <sup>2</sup><br>$T_{\text{MIN}}-T_{\text{MAX}}$  | 0.25      | 1.0  | 23/64    | 0.2       | 0.4                           | 9/26     | 0.25                | 1.0   | 1025     | nA<br>nA                                    |
| INPUT CHARACTERISTICS<br>Input Resistance<br>Input Capacitance  |  |           | $10^{10}$  |          |           | $10^{10}$                     |          |                     | $10^{10}$   |          | $\Omega$<br>pF                              |
|   |  |           | 6  |          |           | 6                             |          |                     | 6   |          |   |
| INPUT VOLTAGE RANGE<br>Common Mode  |  | $\pm 10$  | +12,<br>-13  |          | $\pm 10$  | +12,<br>-13                   |          | $\pm 10$            | +12,<br>-13   |          | V   |
| COMMON-MODE REJECTION   | $V_{\text{CM}} = \pm 10\text{ V}$<br>$T_{\text{MIN}}-T_{\text{MAX}}$                                       | 60        | 72   |          | 70        | 76                            |          | 60                  | 72  |          | dB  |
|   |  | 60        | 72   |          | 68        | 76                            |          | 60                  | 72  |          | dB  |
| INPUT VOLTAGE NOISE<br>Wideband Noise   | $f = 10\text{ kHz}$<br>10 Hz to 10 MHz   |           | 19<br>60   |          |           | 19<br>60                      |          |                     | 19<br>60  |          | nV/ $\sqrt{\text{Hz}}$<br>$\mu\text{V rms}$ |
| OPEN LOOP GAIN  | $V_O = \pm 10\text{ V}$<br>$R_{\text{LOAD}} \geq 500\ \Omega$<br>$T_{\text{MIN}}-T_{\text{MAX}}$           | 15        | 25   |          | 20        | 30                            |          | 15                  | 30  |          | V/mV  |
|   |  | 10        | 20   |          | 10        | 25                            |          | 10                  | 25  |          | V/mV  |
| OUTPUT CHARACTERISTICS<br>Voltage<br>Current<br>Output Resistance   | $R_{\text{LOAD}} \geq 500\ \Omega$<br>$V_{\text{OUT}} = \pm 10\text{ V}$<br>Open Loop                      | $\pm 10$  | +11.5,<br>-12.6  |          | $\pm 10$  | +11.5,<br>-12.6               |          | $\pm 10$            | +11.5,<br>-12.6   |          | V<br>mA<br>$\Omega$                         |
|   |  | 50        | 12   |          | 50        | 12                            |          | 50                  | 12  |          |   |
| FREQUENCY RESPONSE<br>Unity Gain Bandwidth<br>Full Power Bandwidth <sup>3</sup>   | $V_{\text{OUT}} = 90\text{ mV p-p}$<br>$V_O = 20\text{ V p-p}$<br>$R_I \geq 500\ \Omega$                   |           | 34   |          |           | 34                            |          |                     | 34  |          | MHz   |
|   |  | 2.5       | 3.9  |          | 2.5       | 3.9                           |          | 2.5                 | 3.9   |          | MHz   |
| Rise Time   | $A_{\text{VCL}} = -1$  |           | 10   |          |           | 10                            |          |                     | 10  |          | ns  |
| Overshoot   | $A_{\text{VCL}} = -1$  |           | 15   |          |           | 15                            |          |                     | 15  |          | %   |
| Slew Rate   | $A_{\text{VCL}} = -1$  | 160       | 250  |          | 160       | 250                           |          | 160                 | 250   |          | V/ $\mu\text{s}$                            |
| Settling Time   | 10 V Step<br>$A_{\text{VCL}} = -1$   |           | 95   |          |           | 95                            |          |                     | 95  |          | ns  |
| Overdrive Recovery  | to 0.1%<br>to 0.01%<br>-Overdrive<br>+Overdrive  |           | 135  |          |           | 135                           |          |                     | 135   |          | ns  |
|   |  |           | 200  |          |           | 200                           |          |                     | 200   |          | ns  |
| Differential Gain   | f = 4.4 MHz  |           | 700  |          |           | 700                           |          |                     | 700   |          | ns  |
| Differential Phase  | f = 4.4 MHz  |           | 0.025  |          |           | 0.025                         |          |                     | 0.025   |          | %<br>Degree                                 |
| POWER SUPPLY<br>Rated Performance<br>Operating Range<br>Quiescent Current   | $T_{\text{MIN}}-T_{\text{MAX}}$<br>$\pm 5\text{ V to } \pm 18\text{ V}$<br>$T_{\text{MIN}}-T_{\text{MAX}}$ |           | $\pm 15$   |          |           | $\pm 15$                      |          |                     | $\pm 15$  |          | V<br>V<br>mA                                |
|   |  | $\pm 4.5$ |  | $\pm 18$ | $\pm 4.5$ |                               | $\pm 18$ | $\pm 4.5$           |   | $\pm 18$ |   |
| Rejection Ratio   |  | 65        | 76   |          | 70        | 80                            |          | 65                  | 76  |          | dB  |
| Rejection Ratio   |  | 62        | 76   |          | 68        | 80                            |          | 62                  | 76  |          | dB  |
| TEMPERATURE RANGE<br>Operating, Rated Performance<br>Commercial ( $0^\circ\text{C to } +70^\circ\text{C}$ )<br>Industrial ( $-40^\circ\text{C to } +85^\circ\text{C}$ )<br>Military ( $-55^\circ\text{C to } +125^\circ\text{C}$ ) <sup>4</sup> |  |           | AD843J<br>AD843A   |          |           | AD843K<br>AD843B              |          |                     | AD843S  |          |   |
| PACKAGE OPTIONS<br>Plastic (N-8)<br>Cerdip (Q-8)<br>Metal Can (H-12A)<br>LCC (E-20A)<br>SOIC (R-16)<br>Tape & Reel<br>Chips   |  |           | AD843JN<br>AD843AQ<br><br>AD843JR-16<br>AD843JR-16-REEL<br>AD843JR-16-REEL7<br>AD843JCHIPS |          |           | AD843KN<br>AD843BQ<br>AD843BH |          |                     | AD843SQ, AD843SQ/883B<br>AD843SH, AD843SH/883B<br>AD843SE/883B<br><br>AD843SCHIPS |          |   |

NOTES

<sup>1</sup>Standard Military Drawings Available: 5962-9098001M2A (SE/883B), 5962-9098001MXA (SH/883B), 5962-9098001MPA (SQ/883B).

<sup>2</sup>Specifications are guaranteed after 5 minutes at  $T_A = +25^\circ\text{C}$ .

<sup>3</sup>Full power bandwidth = Slow Rate/2  $\pi\text{V}$  peak.

<sup>4</sup>All "S" grade  $T_{\text{MIN}}-T_{\text{MAX}}$  specifications are tested with automatic test equipment at  $T_A = -55^\circ\text{C}$  and  $T_A = +125^\circ\text{C}$ .

Specifications subject to change without notice.

Specifications in **boldface** are tested on all production units at final electrical test. Results from those tests are used to calculate outgoing quality levels. All min and max specifications are guaranteed although only those shown in **boldface** are tested on all production units.

**ABSOLUTE MAXIMUM RATINGS<sup>1</sup>**

|   |   |
|---|---|
| Supply Voltage                            | $\pm 18\text{ V}$                           |
| Internal Power Dissipation <sup>2</sup>   |   |
| Plastic Package                           | 1.50 Watts                                  |
| Cerdip Package                            | 1.35 Watts                                  |
| 12-Pin Header Package                     | 1.80 Watts                                  |
| 16-Pin SOIC Package                       | 1.50 Watts                                  |
| 20-Pin LCC Package                        | 1.00 Watt                                   |
| Input Voltage                             | $\pm V_S$                                   |
| Output Short Circuit Duration             | Indefinite                                  |
| Differential Input Voltage                | $+V_S$ and $-V_S$                           |
| Storage Temperature Range (N, R)          | $-65^\circ\text{C}$ to $+125^\circ\text{C}$ |
| Storage Temperature Range (Q, H, E)       | $-65^\circ\text{C}$ to $+150^\circ\text{C}$ |
| Operating Temperature Range               |   |
| AD843J/R                                  | $0^\circ\text{C}$ to $+70^\circ\text{C}$    |
| AD843A/B                                  | $-40^\circ\text{C}$ to $+85^\circ\text{C}$  |
| AD843S                                    | $-55^\circ\text{C}$ to $+125^\circ\text{C}$ |
| Lead Temperature Range (Soldering 60 sec) | $+300^\circ\text{C}$                        |
| ESD Rating                                | 500 V                                       |

NOTES

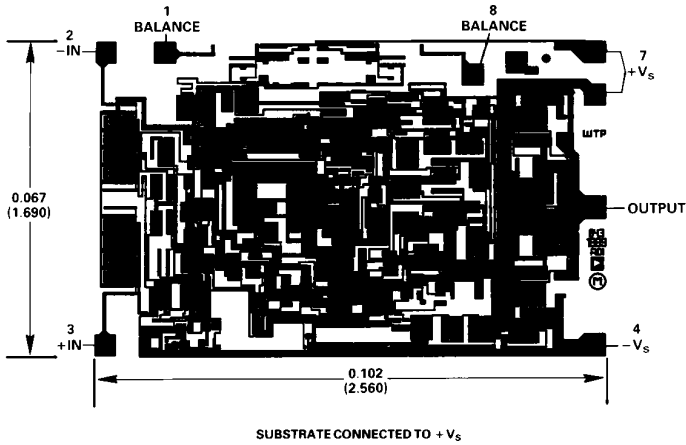
<sup>1</sup>Stresses above those listed under "Absolute Maximum Ratings" may cause permanent damage to the device at these or any other conditions above those indicated in the operational sections of this specification is not implied. Exposure to absolute maximum rating conditions for extended periods may affect device reliability.

- <sup>2</sup>8-Pin Plastic Package:  $\theta_{JA} = 100^\circ\text{C/Watt}$
- 8-Pin Cerdip Package:  $\theta_{JA} = 110^\circ\text{C/Watt}$
- 12-Pin Header Package:  $\theta_{JA} = 80^\circ\text{C/Watt}$
- 16-Pin SOIC Package:  $\theta_{JA} = 100^\circ\text{C/Watt}$
- 20-Pin LCC Package:  $\theta_{JA} = 150^\circ\text{C/Watt}$

**METALIZATION PHOTOGRAPH**

Contact factory for latest dimensions.

Dimensions shown in inches and (mm).



# AD843—Typical Characteristics

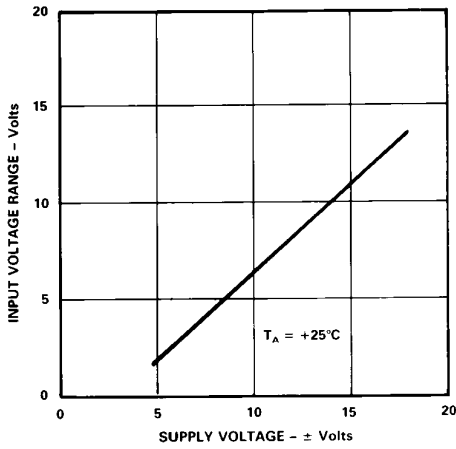


Figure 1. Input Voltage Range vs. Supply Voltage

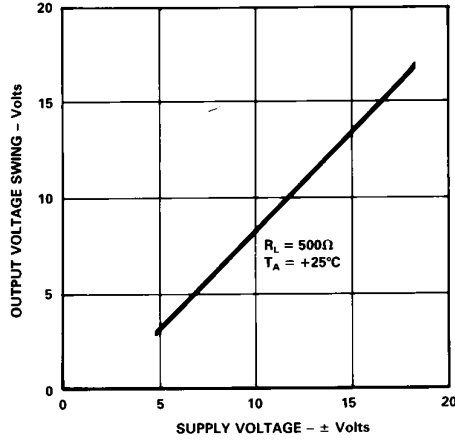


Figure 2. Output Voltage Swing vs. Supply Voltage

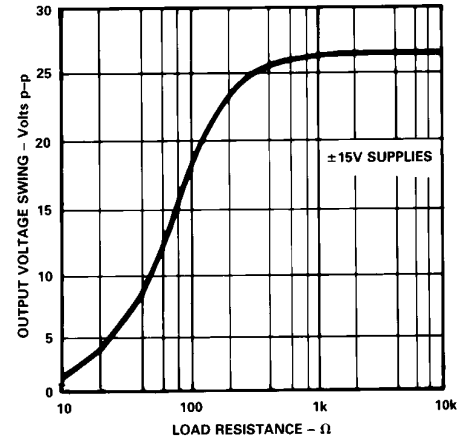


Figure 3. Output Voltage Swing vs. Load Resistance

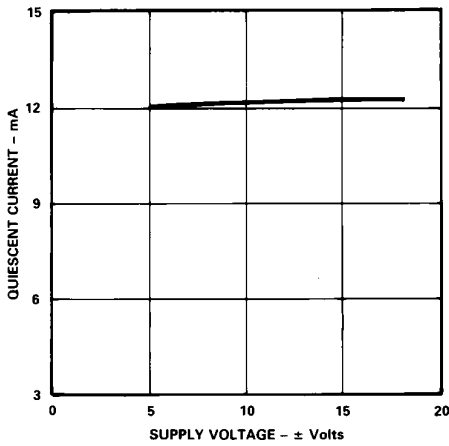


Figure 4. Quiescent Current vs. Supply Voltage

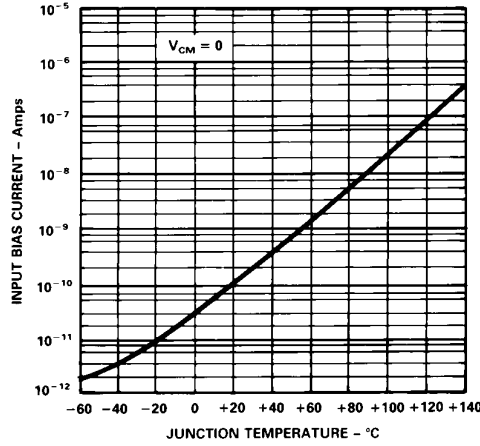


Figure 5. Input Bias Current vs. Junction Temperature

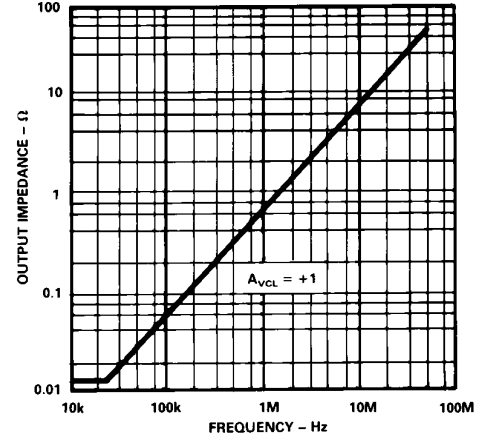


Figure 6. Output Impedance vs. Frequency

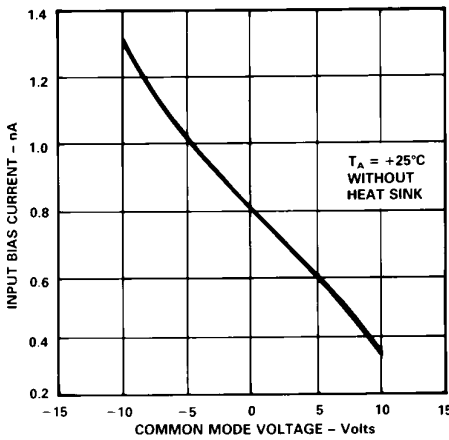


Figure 7. Input Bias Current vs. Common Mode Voltage

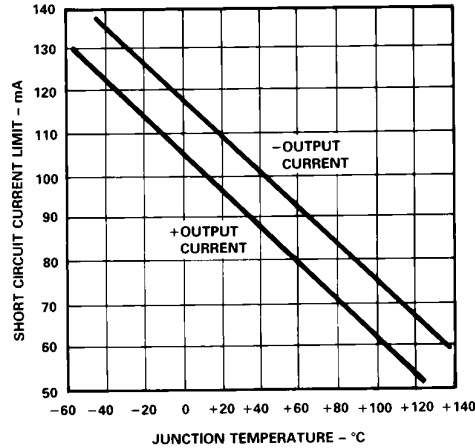


Figure 8. Short Circuit Current Limit vs. Junction Temperature ( $T_J$ )

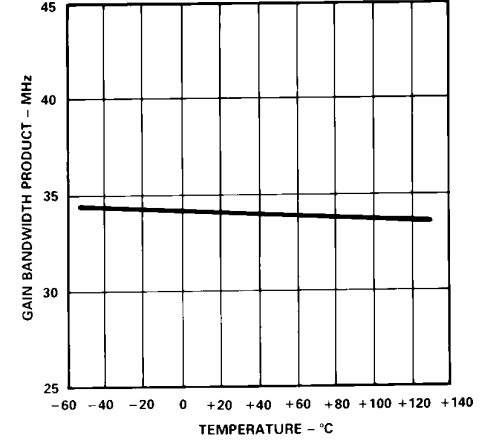


Figure 9. Gain Bandwidth Product vs. Temperature

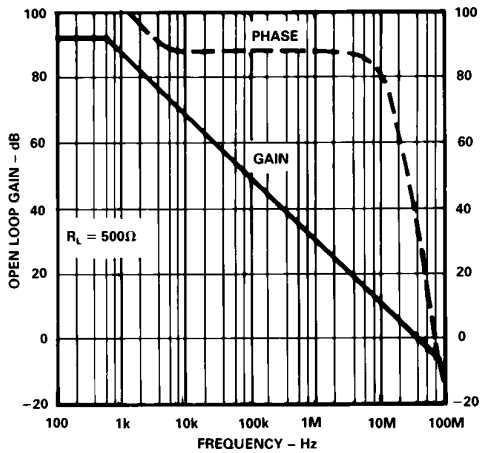


Figure 10. Open Loop Gain and Phase Margin vs. Frequency

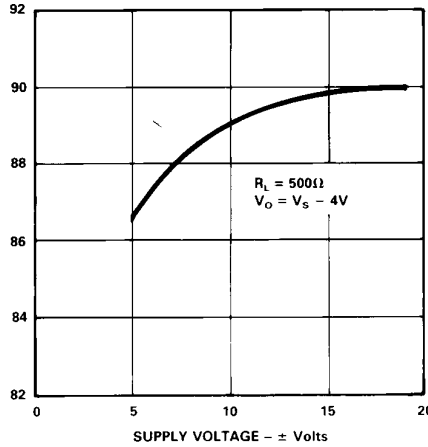


Figure 11. Open Loop Gain vs. Supply Voltage

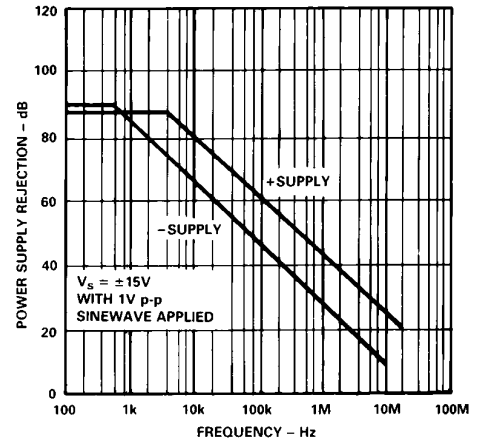


Figure 12. Power Supply Rejection vs. Frequency

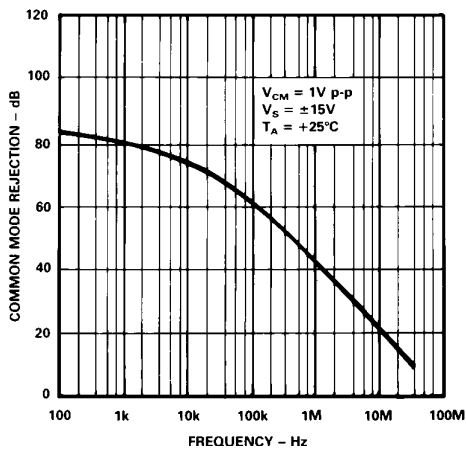


Figure 13. Common Mode Rejection vs. Frequency

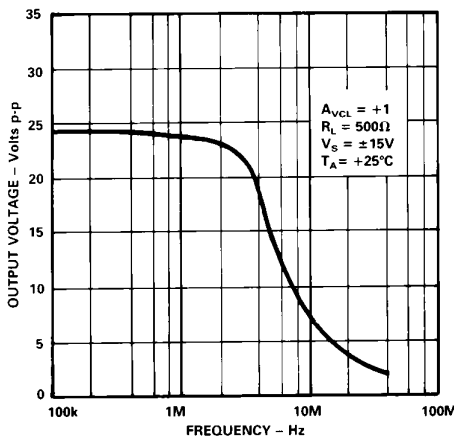


Figure 14. Large Signal Frequency Response

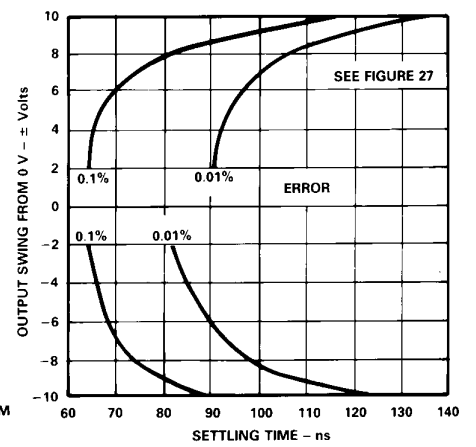


Figure 15. Output Swing and Error vs. Settling Time

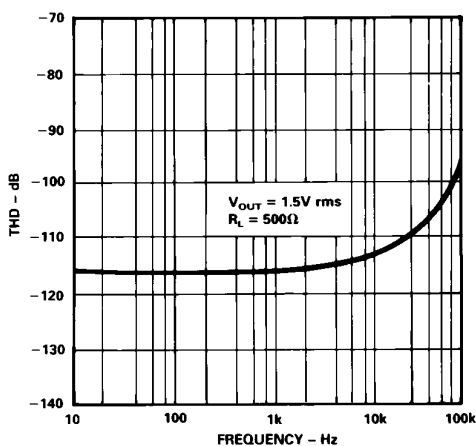


Figure 16. Harmonic Distortion vs. Frequency

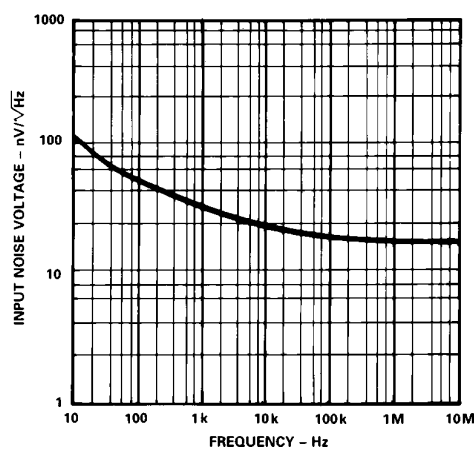


Figure 17. Input Noise Voltage Spectral Density

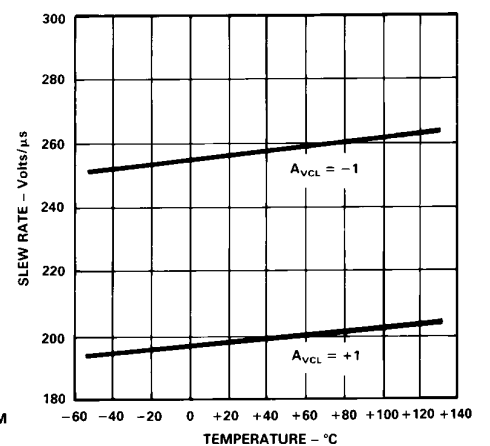


Figure 18. Slew Rate vs. Temperature

# AD843—Typical Characteristics

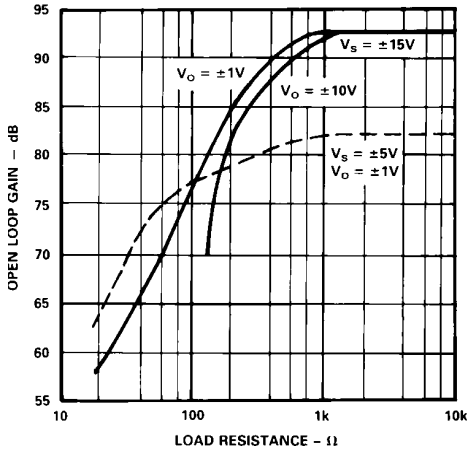


Figure 19. Open Loop Gain vs. Resistive Load

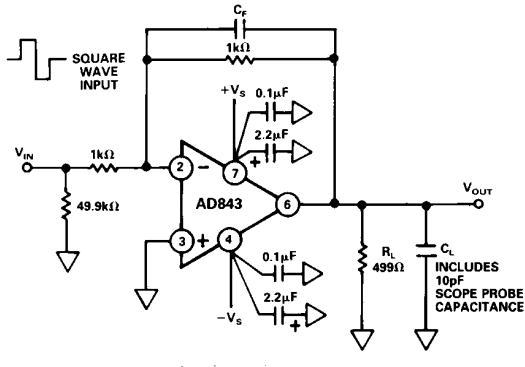


Figure 20a. Inverting Amplifier Connection

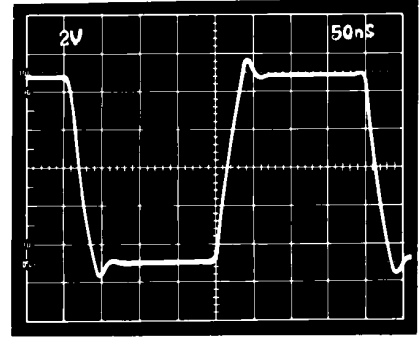


Figure 20b. Inverter Large Signal Pulse Response.  $C_f = 0$ ,  $C_L = 10$  pF

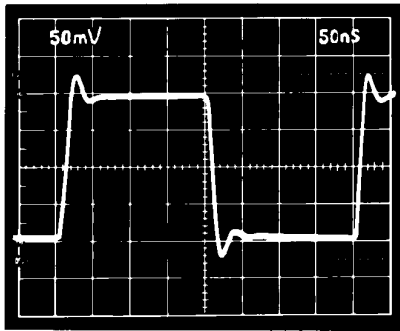


Figure 20c. Inverter Small Signal Pulse Response.  $C_f = 0$ ,  $C_L = 10$  pF

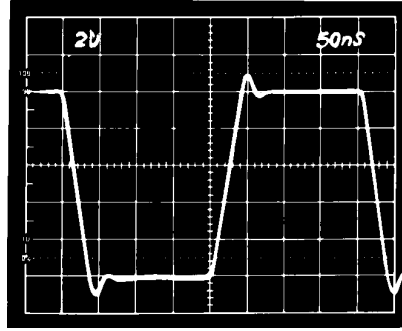


Figure 20d. Inverter Large Signal Pulse Response.  $C_f = 5$  pF,  $C_L = 110$  pF

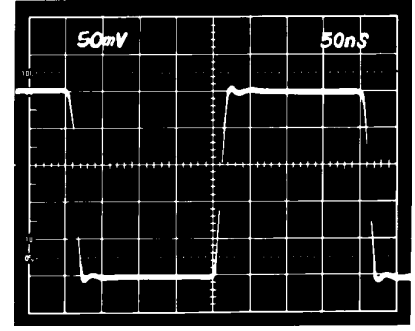


Figure 20e. Inverter Small Signal Pulse Response.  $C_f = 5$  pF,  $C_L = 110$  pF

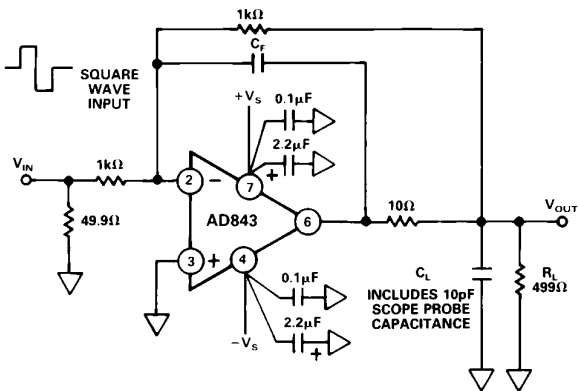


Figure 21a. Unity Gain Inverter Circuit for Driving Capacitive Loads

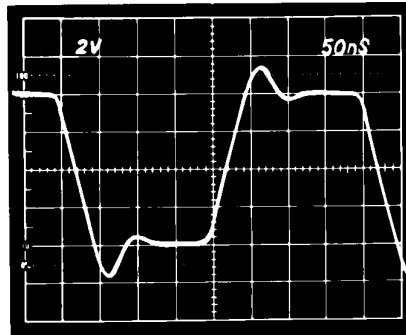


Figure 21b. Inverter Cap Load Large Signal Pulse Response.  $C_f = 15$  pF,  $C_L = 410$  pF

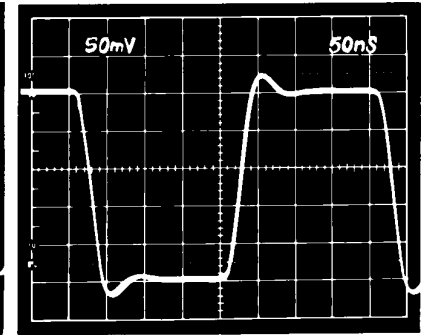


Figure 21c. Inverter Cap Load Small Signal Pulse Response.  $C_f = 15$  pF,  $C_L = 410$  pF

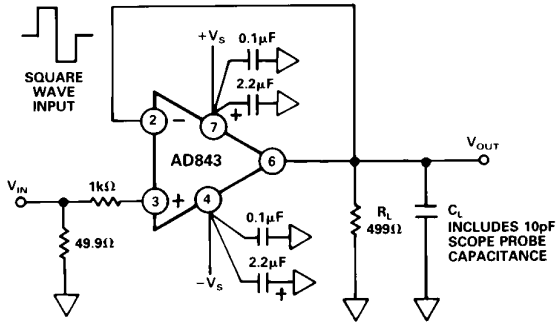


Figure 22a. Unity Gain Buffer Amplifier

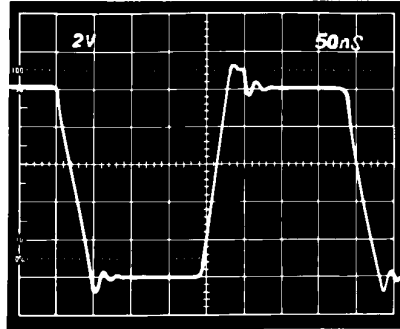


Figure 22b. Buffer Large Signal Pulse Response.  $C_L = 10 \text{ pF}$

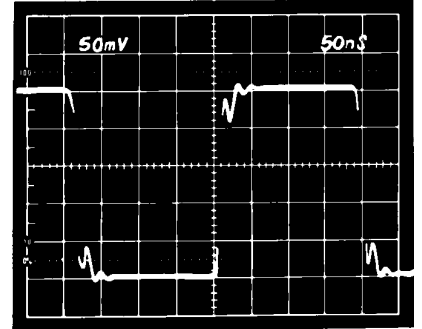


Figure 22c. Buffer Small Signal Pulse Response.  $C_L = 10 \text{ pF}$

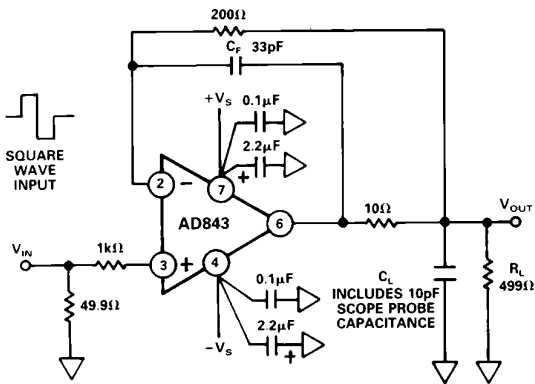


Figure 23a. Unity Gain Buffer Circuit for Driving Capacitive Loads

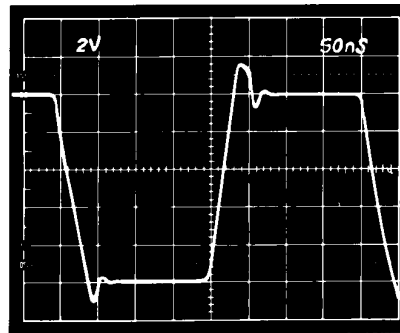


Figure 23b. Buffer Cap Load Large Signal Pulse Response.  $C_F = 33 \text{ pF}$ ,  $C_L = 10 \text{ pF}$

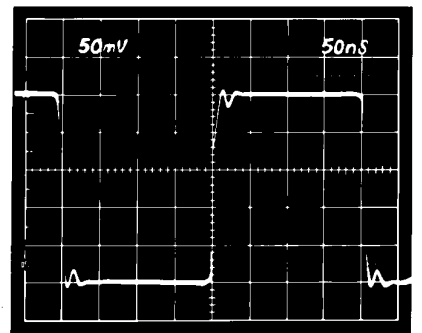


Figure 23c. Buffer Cap Load Small Signal Pulse Response.  $C_F = 33 \text{ pF}$ ,  $C_L = 10 \text{ pF}$

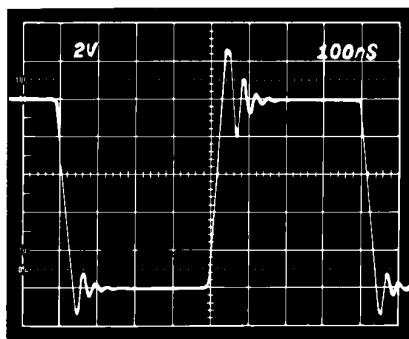


Figure 23d. Buffer Cap Load Large Signal Pulse Response.  $C_F = 33 \text{ pF}$ ,  $C_L = 110 \text{ pF}$

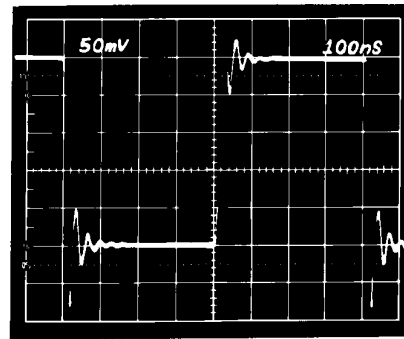


Figure 23e. Buffer Cap Load Small Signal Pulse Response.  $C_F = 33 \text{ pF}$ ,  $C_L = 110 \text{ pF}$

# AD843

## GROUNDING AND BYPASSING

Like most high bandwidth amplifiers, the AD843 is sensitive to capacitive loading. Although it will drive capacitive loads up to 20 pF without degradation of its rated performance, both an increased capacitive load drive capability and a “cleaner” (nonringing) pulse response can be obtained from the AD843 by using the circuits illustrated in Figures 20 to 23. The addition of a 5 pF feedback capacitor to the unity gain inverter connection (Figure 20a) substantially reduces the circuit’s overshoot, even when it is driving a 110 pF load. This can be seen by comparing the waveforms of Figures 20b through 20e. To drive capacitive loads greater than 100 pF, the load should be decoupled from the amplifier’s output by a 10  $\Omega$  resistor and the feedback capacitor,  $C_F$ , should be connected directly between the amplifier’s output and its inverting input (Figure 21a). When using a 15 pF feedback capacitor, this circuit can drive 400 pF with less than 20% overshoot, as illustrated in Figures 21b and 21c. Increasing capacitor  $C_F$  to 47 pF also increases the capacitance drive capability to 1000 pF, at the expense of a 10:1 reduction in bandwidth compared with the simple unity gain inverter circuit of Figure 20a.

Unity gain voltage followers (buffers) are more sensitive to capacitive loads than are inverting amplifiers because there is no attenuation of the feedback signal. The AD843 can drive 10 pF to 20 pF when connected in the basic unity gain buffer circuit of Figure 22a.

The 1 k $\Omega$  resistor in series with the AD843’s noninverting input serves two functions: first, together with the amplifier’s input capacitance, it forms a low-pass filter which slows down the actual signal seen by the AD843. This helps reduce ringing on the amplifier’s output voltage. The resistor’s second function is to limit the current into the amplifier when the differential input voltage exceeds the total supply voltage.

The AD843 will deliver a much “cleaner” pulse response when connected in the somewhat more elaborate follower circuit of Figure 23a. Note the reduced overshoot in Figure 23b and 23c as compared to Figures 22b and 22c.

For maximum bandwidth, in most applications, input and feedback resistors used with the AD843 should have resistance values equal to or less than 1.5 k $\Omega$ . Even with these low resistance values, the resultant RC time constant formed between them and stray circuit capacitances is large enough to cause peaking in the amplifier’s response. Adding a small capacitor,  $C_F$ , as shown in Figures 20a to 23a will reduce this peaking and flatten the overall frequency response.  $C_F$  will normally be less than 10 pF in value.

The AD843 can drive resistive loads over the range of 500  $\Omega$  to  $\infty$  with no change in dynamic response. While a 499  $\Omega$  load was used in the circuits of Figures 20-23, the performance of these circuits will be essentially the same even if this load is removed or changed to some other value, such as 2 k $\Omega$ .

To obtain the “cleanest” possible transient response when driving heavy capacitive loads, be sure to connect bypass capacitors directly between the power supply pins of the AD843 and ground as outlined in “grounding and bypassing.”

## GROUNDING AND BYPASSING

In designing practical circuits using the AD843, the user must keep in mind that some special precautions are needed when dealing with high frequency signals. Circuits must be wired using short interconnect leads. Ground planes should be used whenever possible to provide both a low resistance, low inductance circuit path and to minimize the effects of high frequency coupling. IC sockets should be avoided, since their increased interlead capacitance can degrade the bandwidth of the device.

Power supply leads should be bypassed to ground as close as possible to the pins of the amplifier. Again, the component leads should be kept very short. As shown in Figure 24, a parallel combination of a 2.2  $\mu$ F tantalum and a 0.1  $\mu$ F ceramic disc capacitor is recommended.

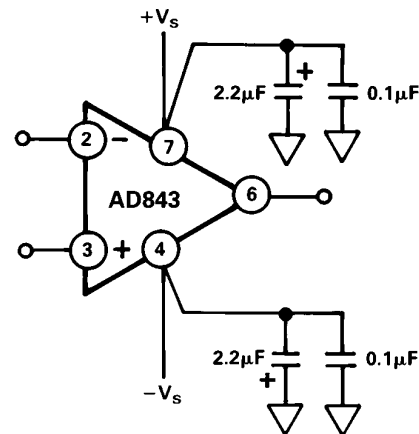
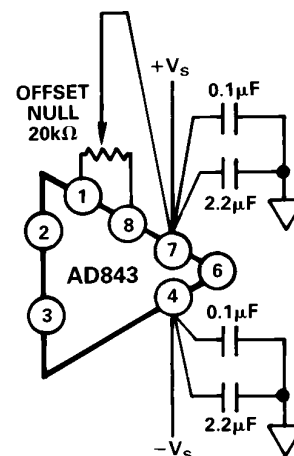


Figure 24. Recommended Power Supply Bypassing for the AD843 (DIP Pinout)

## USING A HEAT SINK

The AD843 consumes less quiescent power than most precision high speed amplifiers and is specified to operate without using a heat sink. However, when driving low impedance loads, the current applied to the load can be 4 to 5 times greater than the quiescent current. This will produce a noticeable temperature rise, which will increase input bias currents. The use of a small heat sink, such as the Mouser Electronics #33HS008 is recommended.



Offset Null Configuration (DIP Pinout)



# AD843

equal. Alternatively, an autocalibration circuit using two D/A converters can be employed. This can also be used to calibrate out the effects of offset voltage drift over temperature.

The switch choice, for U1s, is critical in this type of design. The DG542 utilizes "T" switching techniques on each channel for exceptionally low crosstalk and for high isolation. The part fur-

ther improves these specifications by using ground pins between the signal pins. With an input frequency of 5 MHz, crosstalk and isolation are -85 dB and -75 dB, respectively. A limitation of this switch is that it operates from a maximum -5 V negative supply, making bipolar operation more difficult. It is recommended that amplifiers A1, A2 and A3 operate from the same -5 V supply to minimize any potential latch-up problems.

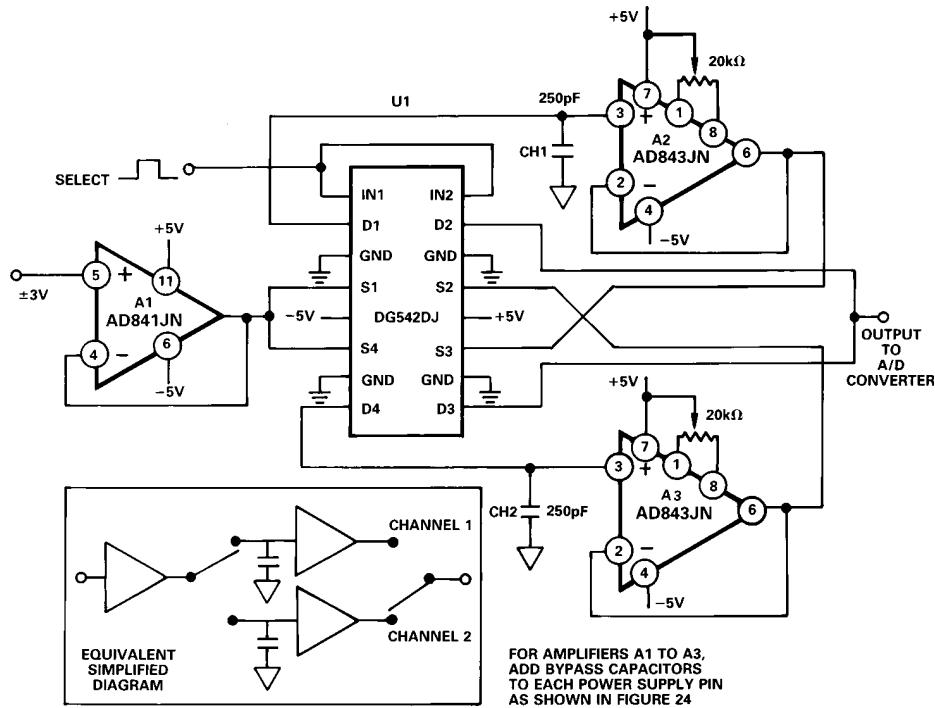


Figure 26. A Ping-Pong Sample-and-Hold Amplifier

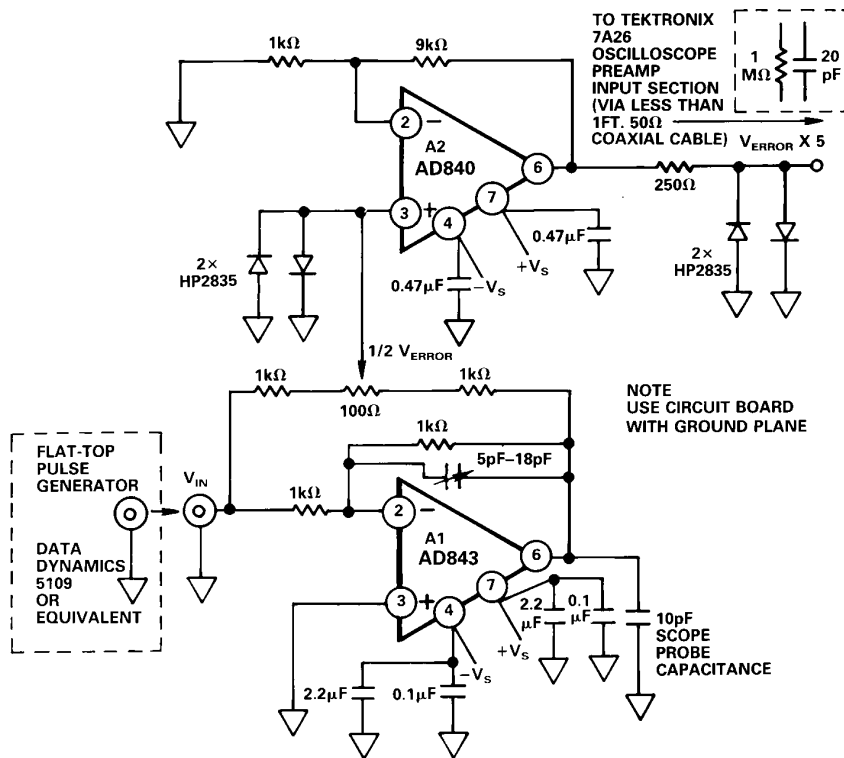


Figure 27. Settling Time Test Circuit

**MEASURING AD843 SETTling TIME**

Figure 28 shows the dynamic response of the AD843 while operating in the settling time test circuit of Figure 27. The input of the settling time fixture is driven by a flat-top pulse generator. The error signal output from A1, the AD843 under test, is amplified by op amp A2 and then clamped by two high speed Schottky diodes.

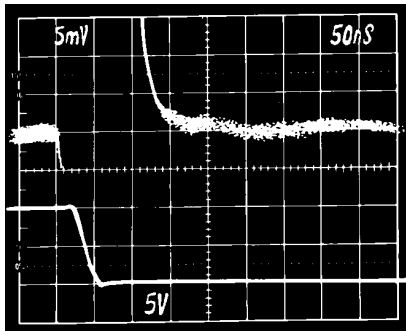


Figure 28. Settling Characteristics: +10 V to 0 V Step.  
Upper Trace: Amplified Error Voltage (0.01%/Div)  
Lower Trace: Output of AD843 Under Test (5 V/Div)

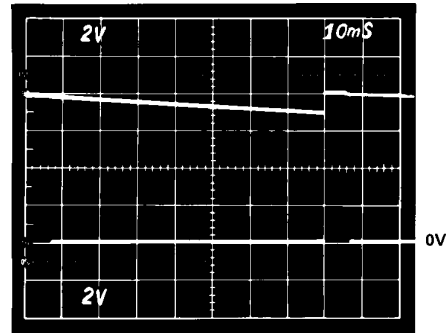
The error signal is clamped to prevent it from greatly overloading the oscilloscope preamp. A Tektronix oscilloscope preamp type 7A26 was chosen because it will recover from the approximately 0.4 volt overload, quickly enough to allow accurate measurement of the AD843's 135 ns settling time. Amplifier A2 is a very high speed op amp; it provides a voltage gain of 10, providing a total gain of 5 from the error signal to the oscilloscope input.

**A FAST PEAK DETECTOR CIRCUIT**

The peak detector circuit of Figure 29, can accurately capture the amplitude of input pulses as narrow as 200 ns and can hold their value with a droop rate of less than 20  $\mu\text{V}/\mu\text{s}$ . This circuit will capture the peak value of positive polarity waveforms; to detect negative peaks, simply reverse the polarity of the two diodes.

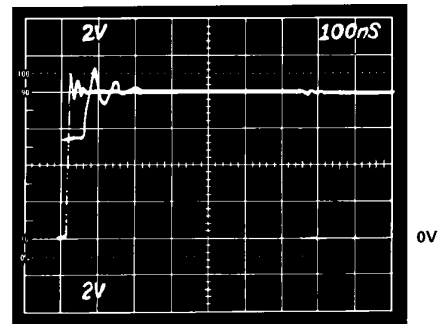
The high bandwidth and 200 V/ $\mu\text{s}$  slew rate of amplifier A2, an AD843, allows the detector's output to "keep up" with its input thus minimizing overshoot. The low (<1 nA) input current of the AD843 ensures that the droop rate is limited only by the reverse leakage of diode D2, which is typically <10 nA for the type shown. The low droop rate is apparent in Figure 30. The

detector's output (top trace) loses slightly over a volt of the 8 volt peak input value (bottom trace) in 75 ms, or a rate of approximately 16  $\mu\text{V}/\mu\text{s}$ .



TOP TRACE: PEAK DETECTOR OUTPUT  
BOTTOM TRACE: INPUT, 8V PEAK @ 125Hz

Figure 30. Peak Detector Response to 125 Hz Pulse Train



TOP TRACE: PEAK DETECTOR OUTPUT, 8V  
BOTTOM TRACE: INPUT VOLTAGE, 8V PEAK, 650ns PULSE WIDTH

Figure 31. Peak Capture Time

Amplifier A1, an AD847, can drive 680 pF hold capacitor,  $C_P$ , fast enough to "catch-up" with the next peak in 100 ns and still settle to the new value in 250 ns, as illustrated in Figure 31. Reducing the value of capacitor  $C_P$  to 100 pF will maximize the speed of this circuit at the expense of increased overshoot and droop. Since the AD847 can drive an arbitrarily large value of capacitance,  $C_P$  can be increased to reduce droop, at the expense of response time.

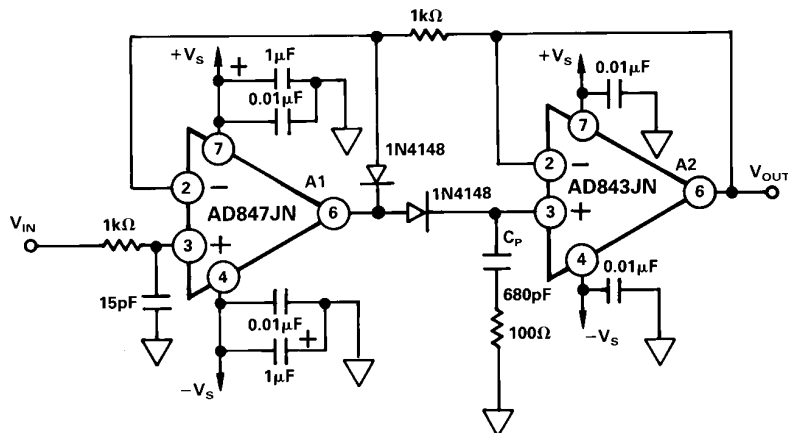
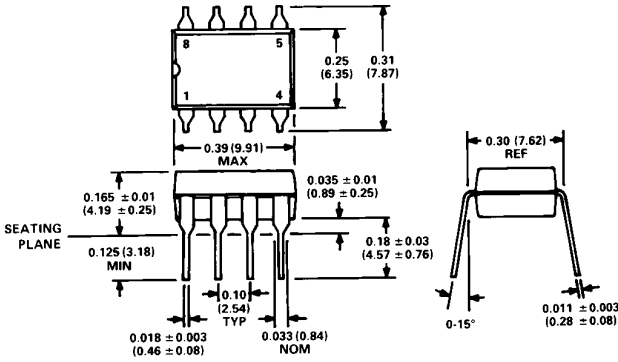


Figure 29. A Fast Peak Detector Circuit

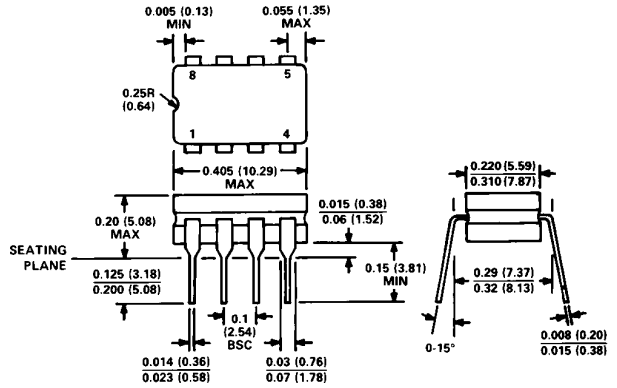
OUTLINE DIMENSIONS

Dimensions shown in inches and (mm).

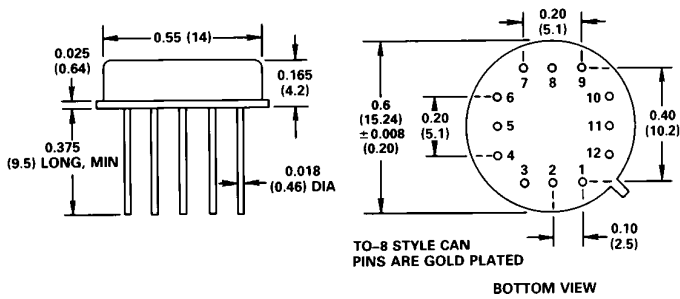
Mini-DIP Package  
(N-8)



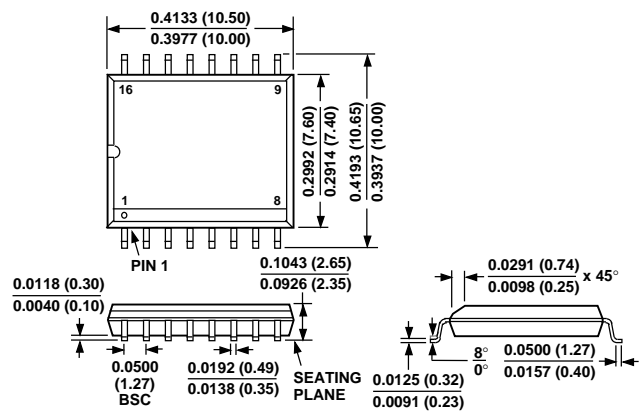
Cerdip Package  
(Q-8)



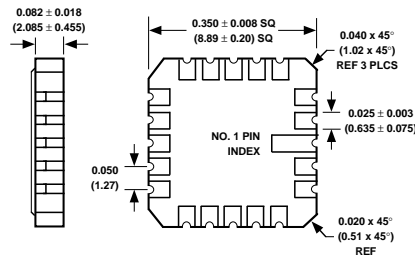
TO-8 Package  
(H-12A)



16-Pin SOIC Package  
(R-16)




LCC Package  
(E-20A)



## Looking for pricing, stock, or lifecycle information?

Click below to explore more details on WIN SOURCE:

-  [View AD843BQ on WIN SOURCE](#)
-  [Analog Devices Inc. Information](#)

## Optimize Your Supply Chain with WIN SOURCE Solutions

-  Global Sourcing Solution
-  Obsolete Management
-  Cost Control Management
-  Shortage Management
-  Alternative Solution
-  Excess Inventory Management