



**THE DATASHEET OF  
RT9030A-15GB**



## 300mA, Low Input Voltage, Low Dropout, Low Noise Ultra-Fast Without Bypass Capacitor CMOS LDO Regulator

### General Description

The RT9030A is a high-performance, 300mA LDO regulator, offering extremely high PSRR and ultra-low dropout. Ideal for portable RF and wireless applications with demanding performance and space requirements.

The RT9030A quiescent current as low as 25µA further prolongs the battery life. The RT9030A also works with low ESR ceramic capacitors, reducing the amount of board space necessary for power applications, critical in hand-held wireless devices.

The RT9030A consumes typical 0.7µA in shutdown mode and has fast turn-on time less than 40µs. The other features include ultra-low dropout voltage, high output accuracy, current limiting protection and high ripple rejection ratio.

### Ordering Information

RT9030A-□□□□	
□	Package Type B : SOT-23-5
□	Lead Plating System G : Green (Halogen Free and Pb Free)
□□	Fixed Output Voltage
10	: 1.0V
11	: 1.1V
:	
32	: 3.2V
33	: 3.3V
1B	: 1.25V
1H	: 1.85V
2H	: 2.85V
1K	: 1.05V

Note :

Richtek products are :

- ▶ RoHS compliant and compatible with the current requirements of IPC/JEDEC J-STD-020.
- ▶ Suitable for use in SnPb or Pb-free soldering processes.

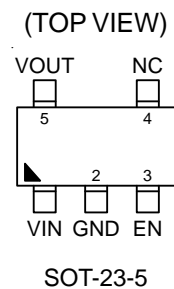
### Features

- Wide Operating Voltage Range : 1.5V to 5.5V
- Output Voltage Range : 1V to 3.3V
- Low Dropout : 300mV at 300mA
- Ultra-Low-Noise for RF Application
- Ultra-Fast Response in Line/Load Transient
- Current Limiting Protection
- Thermal Shutdown Protection
- High Power Supply Rejection Ratio
- Only 1µF Output Capacitor Required for Stability
- TTL-Logic-Controlled Shutdown Input
- RoHS Compliant and Halogen Free

### Applications

- CDMA/GSM Cellular Handsets
- Portable Information Appliances
- Laptop, Palmtops, Notebook Computers
- Hand-Held Instruments
- Mini PCI & PCI-Express Cards
- PCMCIA & New Cards

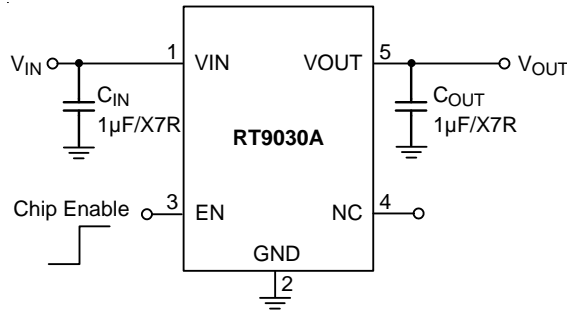
### Pin Configurations



### Marking Information

For marking information, contact our sales representative directly or through a Richtek distributor located in your area.

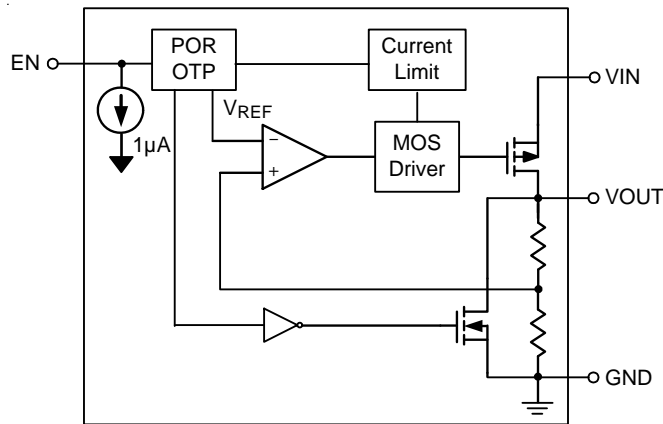
## Typical Application Circuit



## Functional Pin Description

Pin No.	Pin Name	Pin Function
1	VIN	Supply Input.
2	GND	Ground.
3	EN	Enable Input Logic, Active High. When the EN pin is open, it will be pulled low internally.
4	NC	No Internal Connection.
5	VOUT	Regulator Output.

## Function Block Diagram



**Absolute Maximum Ratings** (Note 1)

- Supply Input Voltage ----- 6V
- EN Input Voltage ----- 6V
- Power Dissipation, P<sub>D</sub> @ T<sub>A</sub> = 25°C  
SOT-23-5 ----- 0.400W
- Package Thermal Resistance (Note 2)  
SOT-23-5, θ<sub>JA</sub> ----- 250°C/W
- Lead Temperature (Soldering, 10 sec.) ----- 260°C
- Junction Temperature ----- 150°C
- Storage Temperature Range ----- -65°C to 150°C
- ESD Susceptibility (Note 3)  
HBM (Human Body Model) ----- 2kV  
MM (Machine Model) ----- 200V

**Recommended Operating Conditions** (Note 4)

- Input Voltage Range ----- 1.5V to 5.5V
- Junction Temperature Range ----- -40°C to 125°C
- Ambient Temperature Range ----- -40°C to 85°C

**Electrical Characteristics**

(V<sub>IN</sub> = V<sub>OUT</sub> + 0.5V, V<sub>EN</sub> = V<sub>IN</sub>, C<sub>IN</sub> = C<sub>OUT</sub> = 1μF/X5R (Ceramic), T<sub>A</sub> = 25°C, unless otherwise specified)

Parameter	Symbol	Test Conditions	Min	Typ	Max	Unit
Output Noise Voltage	V <sub>ON</sub>	I <sub>OUT</sub> = 0mA	--	30	--	μV <sub>RMS</sub>
Output Voltage Accuracy (Fixed Output Voltage)	ΔV <sub>OUT</sub>		-2	0	2	%
Quiescent Current (Note 5)	I <sub>Q</sub>	I <sub>OUT</sub> = 0mA	--	25	50	μA
Shutdown Current	I <sub>SHDN</sub>	V <sub>EN</sub> = 0V	--	0.7	1.5	μA
Current Limit	I <sub>LIM</sub>	R <sub>LOAD</sub> = 0Ω, 1.5V ≤ V <sub>IN</sub> < 5.5V	350	600	--	mA
Dropout Voltage (Note 6)	V <sub>DROP</sub>	V <sub>OUT</sub> = 1.2V to 1.4V, I <sub>OUT</sub> = 300mA	50	400	550	mV
		V <sub>OUT</sub> = 1.5V to 2.4V, I <sub>OUT</sub> = 300mA	40	250	400	
		V <sub>OUT</sub> = 2.5V to 3.3V, I <sub>OUT</sub> = 300mA	20	150	300	
Load Regulation (Note 7) (Fixed Output Voltage)	ΔV <sub>LOAD</sub>	V <sub>IN</sub> = (V <sub>OUT</sub> + 0.6V) to 5.5V, I <sub>OUT</sub> = 1mA to 300mA	--	--	1	%
EN Threshold Voltage	Logic-High	V <sub>IH</sub>	1.6	--	5.5	V
	Logic-Low	V <sub>IL</sub>	0	--	0.3	
EN Pin Current	I <sub>EN</sub>		--	1	3	μA
Power Supply Rejection Rate	f = 1kHz	PSRR	--	-67	--	dB
	f = 10kHz		--	-55	--	
	f = 100kHz		--	-40	--	

Parameter	Symbol	Test Conditions	Min	Typ	Max	Unit
Line Regulation	$\Delta V_{LINE}$	$V_{IN} = (V_{OUT} + 0.6V)$ to 5.5V, $I_{OUT} = 1mA$ to 300mA	--	0.01	0.2	%/V
Thermal Shutdown Temperature	$T_{SD}$		--	150	--	°C
Thermal Shutdown Hysteresis	$\Delta T_{SD}$		--	20	--	

**Note 1.** Stresses beyond those listed “Absolute Maximum Ratings” may cause permanent damage to the device. These are stress ratings only, and functional operation of the device at these or any other conditions beyond those indicated in the operational sections of the specifications is not implied. Exposure to absolute maximum rating conditions may affect device reliability.

**Note 2.**  $\theta_{JA}$  is measured at  $T_A = 25^\circ C$  on a low effective thermal conductivity single-layer test board per JEDEC 51-3.

**Note 3.** Devices are ESD sensitive. Handling precaution is recommended.

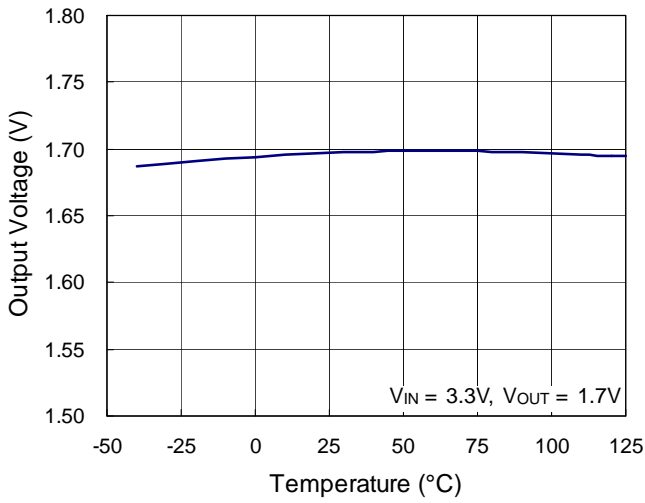
**Note 4.** The device is not guaranteed to function outside its operating conditions.

**Note 5.** Quiescent, or ground current, is the difference between input and output currents. It is defined by  $I_Q = I_{IN} - I_{OUT}$  under no load condition ( $I_{OUT} = 0mA$ ). The total current drawn from the supply is the sum of the load current plus the ground pin current.

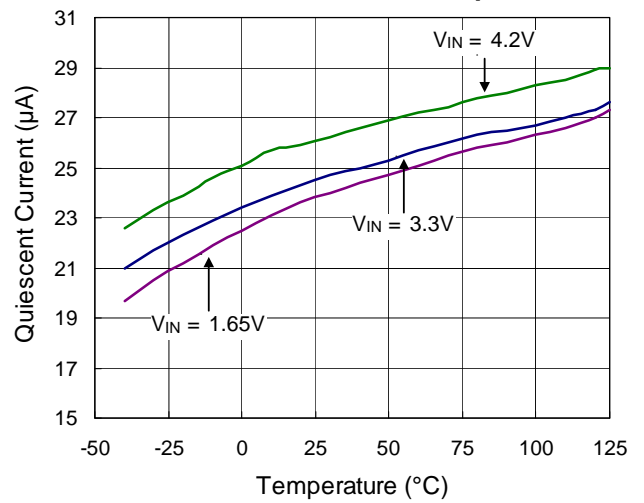
**Note 6.** The dropout voltage is defined as  $V_{IN} - V_{OUT}$ , which is measured when  $V_{OUT}$  is  $V_{OUT(NORMAL)} - 100mV$ .

**Typical Operating Characteristics**

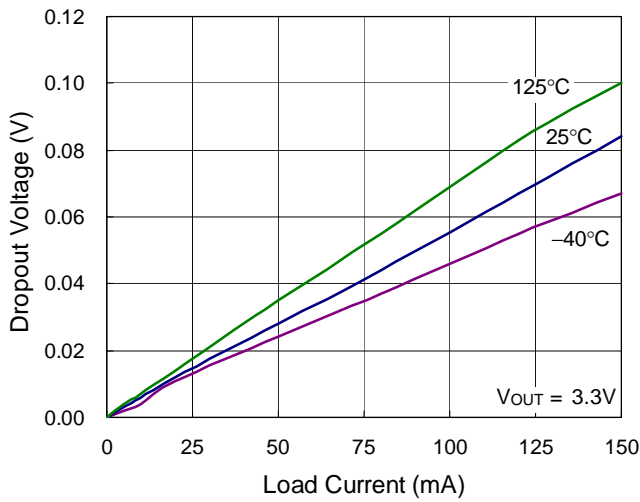
**Output Voltage vs. Temperature**



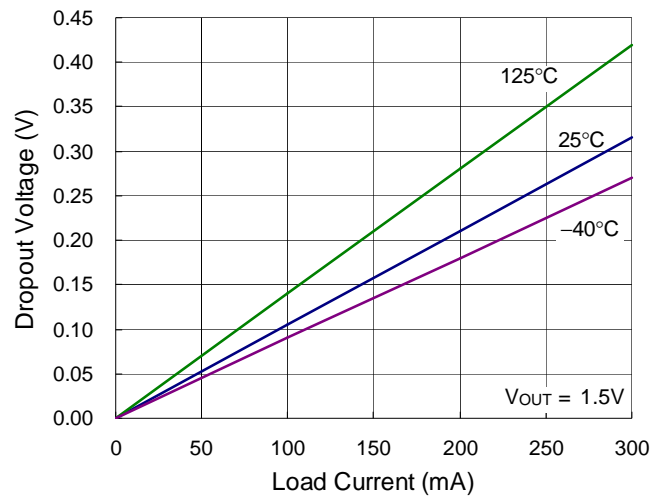
**Quiescent Current vs. Temperature**



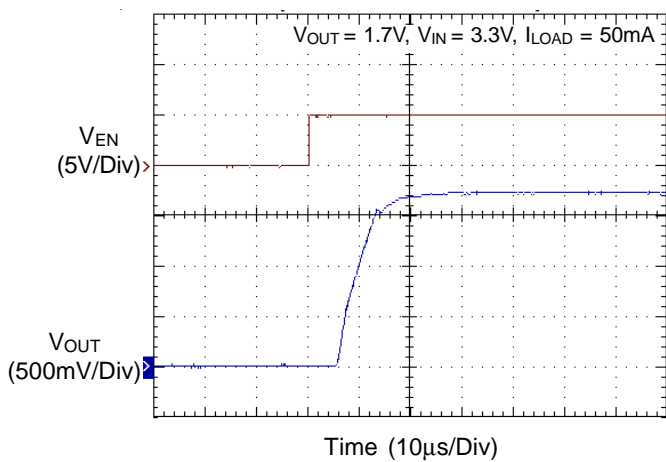
**Dropout Voltage vs. Load Current**



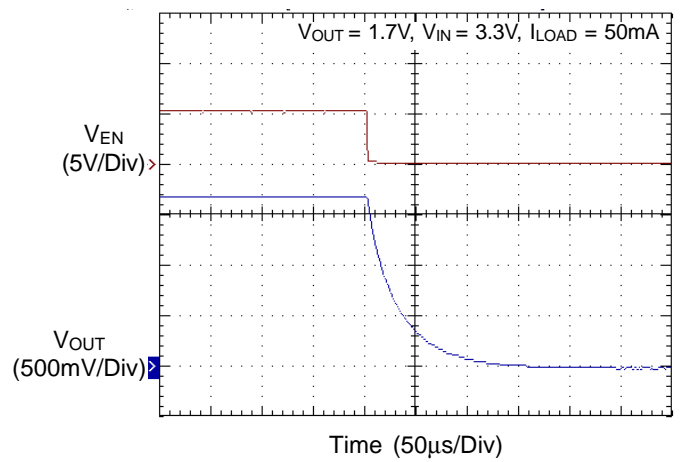
**Dropout Voltage vs. Load Current**



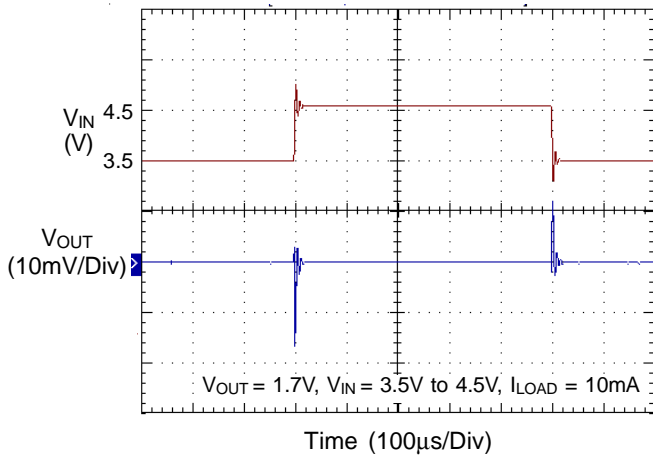
**Power On from EN**



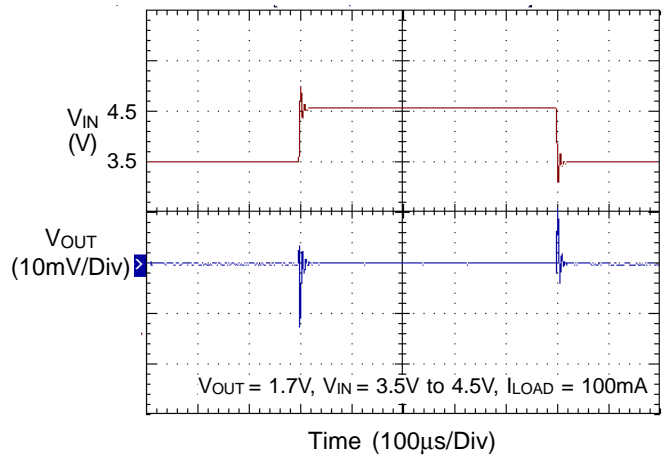
**Power Off from EN**



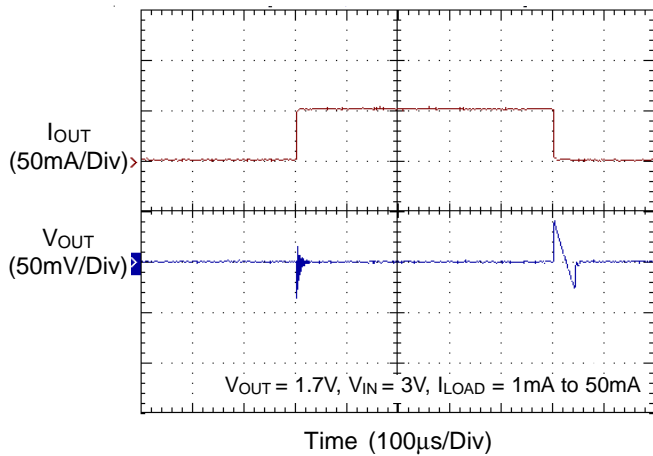
### Line Transient Response



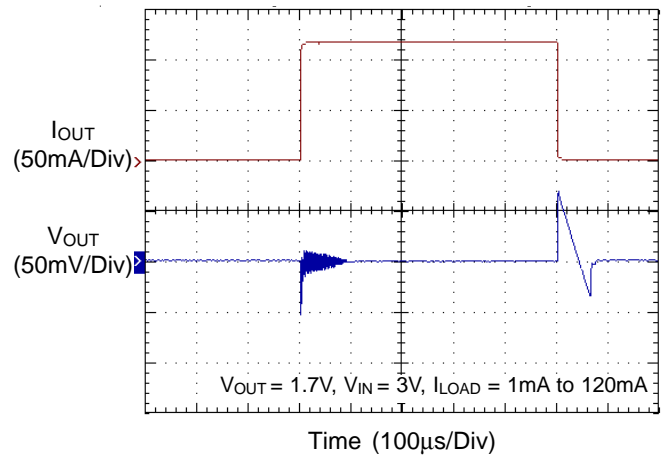
### Line Transient Response



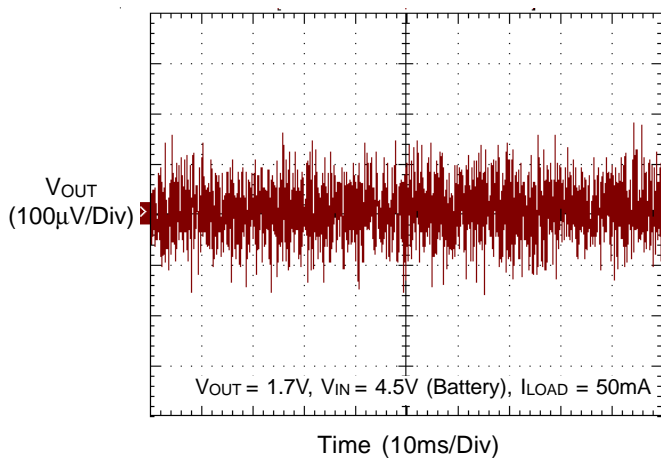
### Load Transient Response



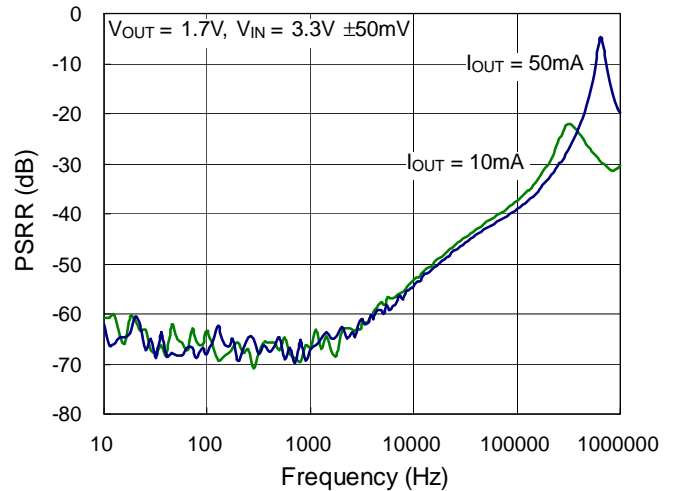
### Load Transient Response



### Noise



### PSRR



## Applications Information

### Capacitor Selection

In order to confirm the regulator stability and performance, X7R/X5R or other better quality ceramic capacitor should be selected.

Like any low-dropout regulator, the external capacitors used with the RT9030A must be carefully selected for regulator stability and performance. Use at least 1μF of capacitor on the RT9030A's input and the amount of capacitance can be increased without limit. The input capacitor should be located in less than 0.5 inch from the input pin of the IC and returned to a clean analog ground. The capacitor with larger value and lower ESR (equivalent series resistance) provides better PSRR and line-transient response.

The output capacitor must meet both requirements for minimum amount of capacitance in all LDOs application. The RT9030A is designed specifically to work with low ESR ceramic output capacitor in space-saving and performance consideration. Using a ceramic capacitor whose value is at least 1μF on the RT9030A output ensures stability. Output capacitor with larger capacitance can reduce noise and improve load transient response, stability and PSRR. The output capacitor should be located in less than 0.5 inch from the VOUT pin of the RT9030A and returned to a clean analog ground.

### Enable

The RT9030A goes into shutdown mode when the EN pin is in a logic low condition. During this condition, the pass transistor, error amplifier and bandgap are turned off, reducing the supply current to 0.7μA typical. The EN pin can be directly tied to VIN to keep the part on.

### Current limit

The RT9030A contains an independent current limiter, which monitors and limits the output current to 600mA (typ.) by controlling the gate voltage of the pass transistor. The output can be shorted to ground indefinitely without damaging the part.

### Thermal Considerations

For continuous operation, do not exceed absolute maximum junction temperature. The maximum power dissipation depends on the thermal resistance of the IC package, PCB layout, rate of surrounding airflow, and difference between junction and ambient temperature. The maximum power dissipation can be calculated by the following formula :

$$P_{D(MAX)} = (T_{J(MAX)} - T_A) / \theta_{JA}$$

where  $T_{J(MAX)}$  is the maximum junction temperature,  $T_A$  is the ambient temperature, and  $\theta_{JA}$  is the junction to ambient thermal resistance.

For recommended operating condition specifications, the maximum junction temperature is 125°C. The junction to ambient thermal resistance,  $\theta_{JA}$ , is layout dependent. For SOT-23-5 packages, the thermal resistance,  $\theta_{JA}$ , is 250°C/W on a standard JEDEC 51-3 single-layer thermal test board. The maximum power dissipation at  $T_A = 25^\circ\text{C}$  can be calculated by the following formula :

$$P_{D(MAX)} = (125^\circ\text{C} - 25^\circ\text{C}) / (250^\circ\text{C/W}) = 0.400\text{W for}$$

SOT-23-5 package

The maximum power dissipation depends on the operating ambient temperature for fixed  $T_{J(MAX)}$  and thermal resistance,  $\theta_{JA}$ . The derating curve in Figure 1 allows the designer to see the effect of rising ambient temperature on the maximum power dissipation.

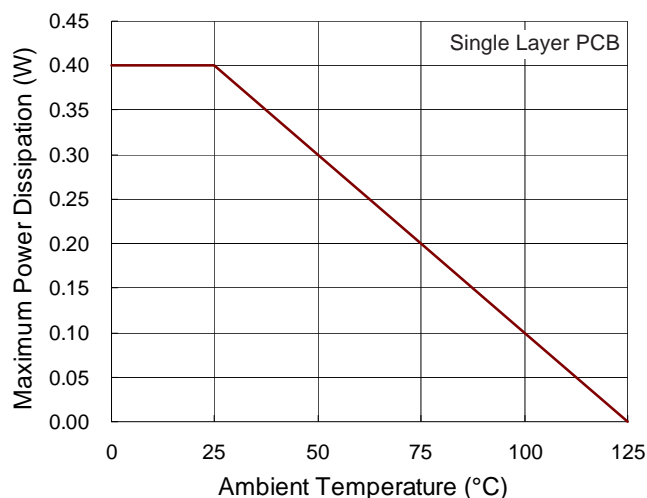


Figure 1. Derating Curve of Maximum Power Dissipation

## Layout Considerations

Careful PCB Layout is necessary for better performance. The following guidelines should be followed for good PCB layout.

- ▶ Place the input and output capacitors as close as possible to the IC.
- ▶ Keep VIN and VOUT trace as possible as short and wide.
- ▶ Use a large PCB ground plane for maximum thermal dissipation.

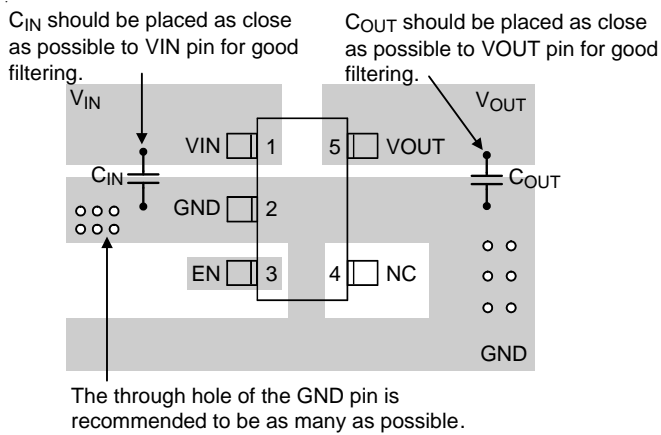
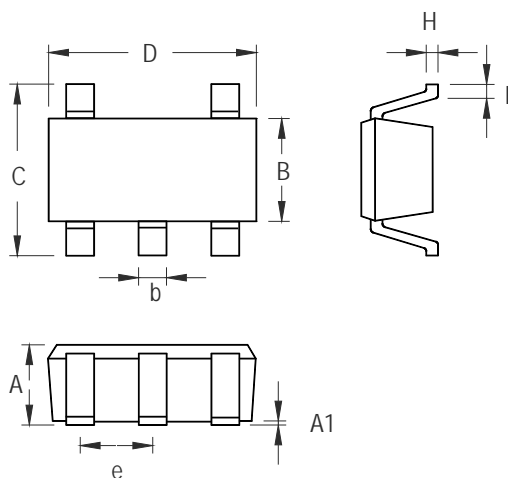


Figure 2. PCB Layout Guide

**Outline Dimension**



Symbol	Dimensions In Millimeters		Dimensions In Inches	
	Min	Max	Min	Max
A	0.889	1.295	0.035	0.051
A1	0.000	0.152	0.000	0.006
B	1.397	1.803	0.055	0.071
b	0.356	0.559	0.014	0.022
C	2.591	2.997	0.102	0.118
D	2.692	3.099	0.106	0.122
e	0.838	1.041	0.033	0.041
H	0.080	0.254	0.003	0.010
L	0.300	0.610	0.012	0.024

**SOT-23-5 Surface Mount Package**

**Richtek Technology Corporation**

14F, No. 8, Tai Yuen 1<sup>st</sup> Street, Chupei City

Hsinchu, Taiwan, R.O.C.

Tel: (8863)5526789

Richtek products are sold by description only. Richtek reserves the right to change the circuitry and/or specifications without notice at any time. Customers should obtain the latest relevant information and data sheets before placing orders and should verify that such information is current and complete. Richtek cannot assume responsibility for use of any circuitry other than circuitry entirely embodied in a Richtek product. Information furnished by Richtek is believed to be accurate and reliable. However, no responsibility is assumed by Richtek or its subsidiaries for its use; nor for any infringements of patents or other rights of third parties which may result from its use. No license is granted by implication or otherwise under any patent or patent rights of Richtek or its subsidiaries.

## Looking for pricing, stock, or lifecycle information?

Click below to explore more details on WIN SOURCE:

 [View RT9030A-15GB on WIN SOURCE](#)

 [Richtek USA Inc. Information](#)

## Optimize Your Supply Chain with WIN SOURCE Solutions

-  Global Sourcing Solution
-  Obsolete Management
-  Cost Control Management
-  Shortage Management
-  Alternative Solution
-  Excess Inventory Management