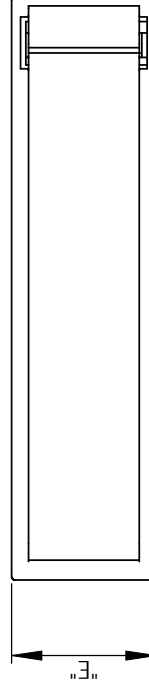




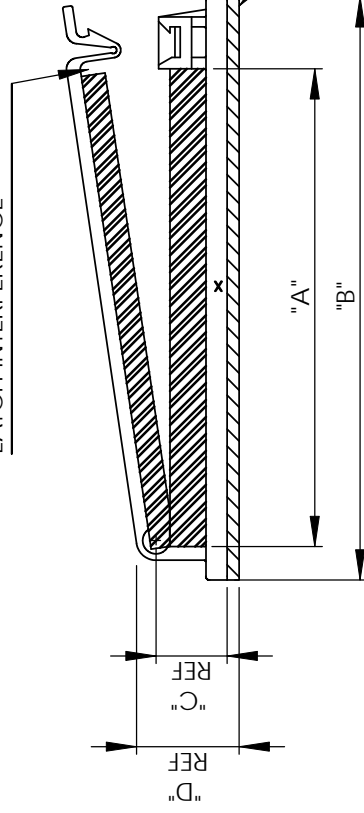
**THE DATASHEET OF
FCWSF-50-19**



PART NO.	"A" ±0.5 [.02]	"B" ±1.0 [.04]	"C" REF	"D" REF	"E" ±0.5 [.02]
FCWSF-29-19	31.5 [1.24]	45.1 [1.78]	7.7 [.30]	11.1 [.44]	18.9 [.74]
FCWSF-30-19	31.6 [1.24]	45.5 [1.79]	9 [.35]	13.1 [.52]	19.1 [.75]
FCWSF-40-19	39.3 [1.55]	53 [2.09]	9.3 [.37]	13.4 [.53]	
FCWSF-50-19	63.2 [2.49]	77.2 [3.04]	9.1 [.36]	13.2 [.52]	



GAP IN CUSHION TO PREVENT LATCH INTERFERENCE



NOTES:

1. MATERIAL: NYLON 6/6 UL 94 V-0 (RMS-19).
2. COLOR: NATURAL.
3. TAPE: 1.6 [1/16] THICK, DOUBLE SIDED ADHESIVE (RMS-350).
4. CUSHION: ADHESIVE BACKED V-0 SILICONE FOAM (RMS-135). COLOR: GRAY.
5. ALTERNATE UNITS FOR REFERENCE ONLY
6. WHEN CLOSED, SLIGHT GAP MAY EXIST BETWEEN FOAM.

TITLE: **FLAT CABLE CLAMP WITH SILICONE FOAM**

CREATED USING SOLIDWORKS	FILE #: FCWSF	DWN: R.D.G.	APP: R.D.G.
TOLERANCES UNLESS NOTED 0-10=±0.1 10.01-30=±0.3 30.01-50=±0.5 ANG=±1°	SHEET: 1 OF 1	DT: 10/01/09	CHKD: SJ
	RE: RICHCO, INC.		RICHCO, INC. ENG@RICHCO-INC.COM (773) 539-4060

A	RELEASED FOR PRODUCTION	SK	10/05/09
REV.	DESCRIPTION	ENGR.	DATE

Looking for pricing, stock, or lifecycle information?

Click below to explore more details on WIN SOURCE:

-  [View FCWSF-50-19 on WIN SOURCE](#)
-  [Essentra Components](#) Information

Optimize Your Supply Chain with WIN SOURCE Solutions

-  Global Sourcing Solution
-  Obsolete Management
-  Cost Control Management
-  Shortage Management
-  Alternative Solution
-  Excess Inventory Management