



THE DATASHEET OF CMSSH-3C TR



CMSSH-3
 CMSSH-3A
 CMSSH-3C
 CMSSH-3S

**SURFACE MOUNT SILICON
 SCHOTTKY DIODES**



SOT-323 CASE



www.centrasemi.com

DESCRIPTION:

The CENTRAL SEMICONDUCTOR CMSSH-3 series devices are silicon Schottky diodes, epoxy molded in an SOT-323 surface mount package, designed for fast switching applications requiring a low forward voltage drop.

CMSSH-3: SINGLE
CMSSH-3A: DUAL, COMMON ANODE
CMSSH-3C: DUAL, COMMON CATHODE
CMSSH-3S: DUAL, IN SERIES

MARKING CODE: 95D
MARKING CODE: B1D
MARKING CODE: B2D
MARKING CODE: A5D

MAXIMUM RATINGS: ($T_A=25^\circ\text{C}$)

Peak Repetitive Reverse Voltage
 Continuous Forward Current
 Peak Repetitive Forward Current
 Peak Forward Surge Current, $t_p=10\text{ms}$
 Power Dissipation
 Operating and Storage Junction Temperature
 Thermal Resistance

| SYMBOL | | UNITS |
|----------------|-------------|--------------------|
| V_{RRM} | 30 | V |
| I_F | 100 | mA |
| I_{FRM} | 200 | mA |
| I_{FSM} | 750 | mA |
| P_D | 275 | mW |
| T_J, T_{stg} | -65 to +150 | $^\circ\text{C}$ |
| θ_{JA} | 455 | $^\circ\text{C/W}$ |

ELECTRICAL CHARACTERISTICS PER DIODE: ($T_A=25^\circ\text{C}$ unless otherwise noted)

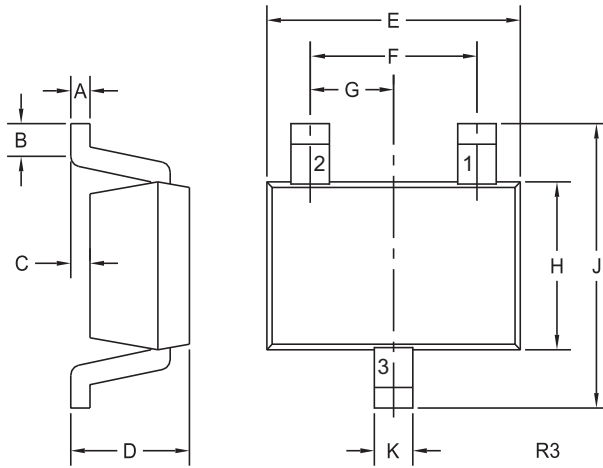
| SYMBOL | TEST CONDITIONS | MIN | TYP | MAX | UNITS |
|----------|---|-----|------|------|---------------|
| I_R | $V_R=25\text{V}$ | | 90 | 500 | nA |
| I_R | $V_R=25\text{V}, T_A=100^\circ\text{C}$ | | 25 | 100 | μA |
| BV_R | $I_R=100\mu\text{A}$ | 30 | | | V |
| V_F | $I_F=2.0\text{mA}$ | | 0.29 | 0.33 | V |
| V_F | $I_F=15\text{mA}$ | | 0.37 | 0.45 | V |
| V_F | $I_F=100\text{mA}$ | | 0.51 | 1.00 | V |
| C_J | $V_R=1.0\text{V}, f=1.0\text{MHz}$ | | 7.0 | | pF |
| t_{rr} | $I_F=I_R=10\text{mA}, I_{rr}=1.0\text{mA}, R_L=100\Omega$ | | | 5.0 | ns |

CMSSH-3
 CMSSH-3A
 CMSSH-3C
 CMSSH-3S

SURFACE MOUNT SILICON
 SCHOTTKY DIODES



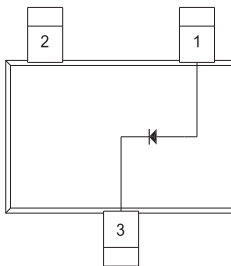
SOT-323 CASE - MECHANICAL OUTLINE



| SYMBOL | DIMENSIONS | | | |
|--------|------------|-------|-------------|------|
| | INCHES | | MILLIMETERS | |
| | MIN | MAX | MIN | MAX |
| A | 0.002 | 0.008 | 0.05 | 0.20 |
| B | 0.004 | - | 0.10 | - |
| C | - | 0.004 | - | 0.10 |
| D | 0.031 | 0.043 | 0.80 | 1.10 |
| E | 0.071 | 0.087 | 1.80 | 2.20 |
| F | 0.051 | | 1.30 | |
| G | 0.026 | | 0.65 | |
| H | 0.045 | 0.053 | 1.15 | 1.35 |
| J | 0.079 | 0.087 | 2.00 | 2.20 |
| K | 0.008 | 0.016 | 0.20 | 0.40 |

SOT-323 (REV: R3)

PIN CONFIGURATIONS

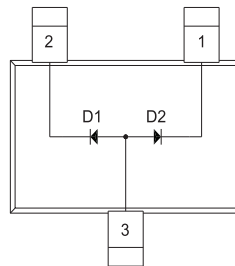


CMSSH-3

LEAD CODE:

- 1) Anode
- 2) NC
- 3) Cathode

MARKING CODE: 95D

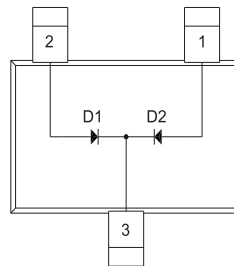


CMSSH-3A

LEAD CODE:

- 1) Cathode D2
- 2) Cathode D1
- 3) Anode D1, D2

MARKING CODE: B1D

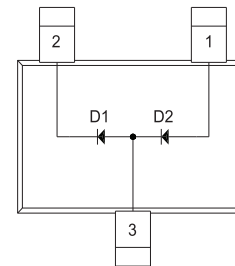


CMSSH-3C

LEAD CODE:

- 1) Anode D2
- 2) Anode D1
- 3) Cathode D1, D2

MARKING CODE: B2D



CMSSH-3S

LEAD CODE:

- 1) Anode D2
- 2) Cathode D1
- 3) Anode D1, Cathode D2

MARKING CODE: A5D

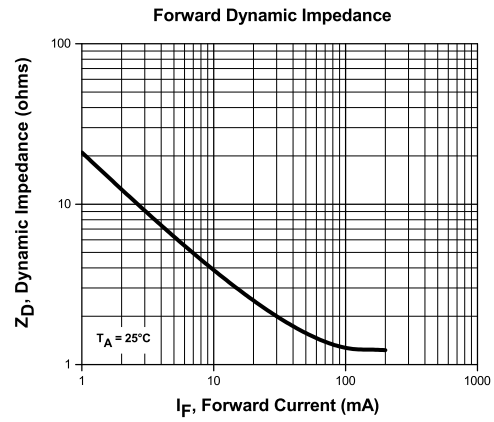
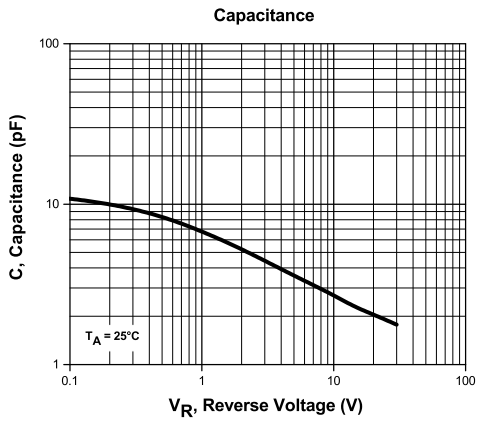
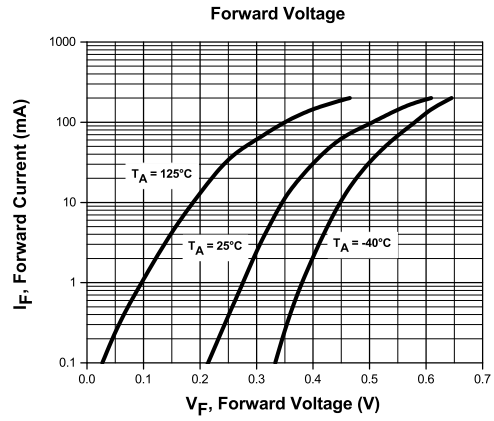
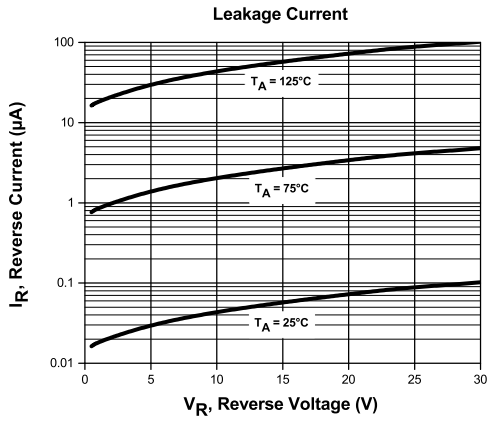
R4 (11-February 2016)

CMSSH-3
 CMSSH-3A
 CMSSH-3C
 CMSSH-3S

SURFACE MOUNT SILICON
 SCHOTTKY DIODES



TYPICAL ELECTRICAL CHARACTERISTICS



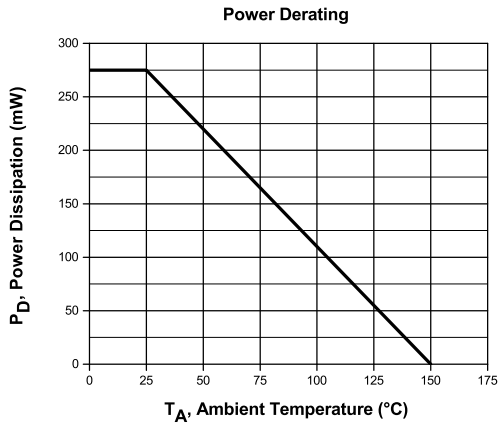
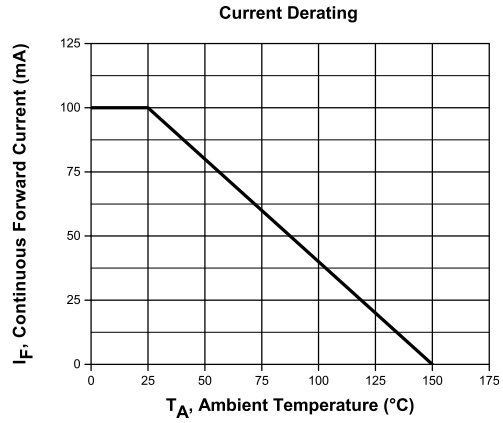
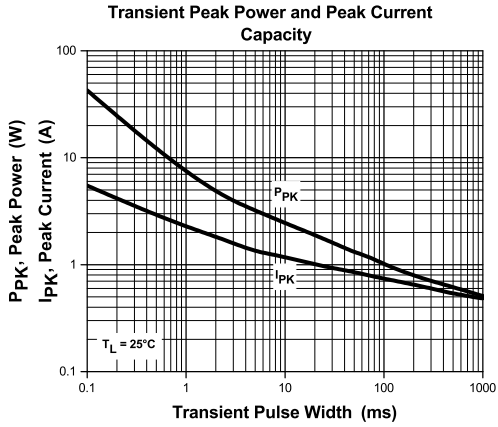
R4 (11-February 2016)

CMSSH-3
 CMSSH-3A
 CMSSH-3C
 CMSSH-3S

SURFACE MOUNT SILICON
 SCHOTTKY DIODES



TYPICAL ELECTRICAL CHARACTERISTICS



R4 (11-February 2016)

OUTSTANDING SUPPORT AND SUPERIOR SERVICES



PRODUCT SUPPORT

Central's operations team provides the highest level of support to insure product is delivered on-time.

- Supply management (Customer portals)
- Inventory bonding
- Consolidated shipping options
- Custom bar coding for shipments
- Custom product packing

DESIGNER SUPPORT/SERVICES

Central's applications engineering team is ready to discuss your design challenges. Just ask.

- Free quick ship samples (2nd day air)
- Online technical data and parametric search
- SPICE models
- Custom electrical curves
- Environmental regulation compliance
- Customer specific screening
- Up-screening capabilities
- Special wafer diffusions
- PbSn plating options
- Package details
- Application notes
- Application and design sample kits
- Custom product and package development

REQUESTING PRODUCT PLATING

1. If requesting Tin/Lead plated devices, add the suffix "TIN/LEAD" to the part number when ordering (example: 2N2222A TIN/LEAD).
2. If requesting Lead (Pb) Free plated devices, add the suffix "PBFREE" to the part number when ordering (example: 2N2222A PBFREE).

CONTACT US

Corporate Headquarters & Customer Support Team

Central Semiconductor Corp.
145 Adams Avenue
Hauppauge, NY 11788 USA
Main Tel: (631) 435-1110
Main Fax: (631) 435-1824
Support Team Fax: (631) 435-3388
www.centrasemi.com

Worldwide Field Representatives:
www.centrasemi.com/wwreps

Worldwide Distributors:
www.centrasemi.com/wwdistributors

For the latest version of Central Semiconductor's **LIMITATIONS AND DAMAGES DISCLAIMER**, which is part of Central's Standard Terms and Conditions of sale, visit: www.centrasemi.com/terms

Looking for pricing, stock, or lifecycle information?

Click below to explore more details on WIN SOURCE:

- [View CMSSH-3C TR on WIN SOURCE](#)
- [Central Semiconductor Corp Information](#)

Optimize Your Supply Chain with WIN SOURCE Solutions

- ✓ Global Sourcing Solution
- ✓ Obsolete Management
- ✓ Cost Control Management
- ✓ Shortage Management
- ✓ Alternative Solution
- ✓ Excess Inventory Management