

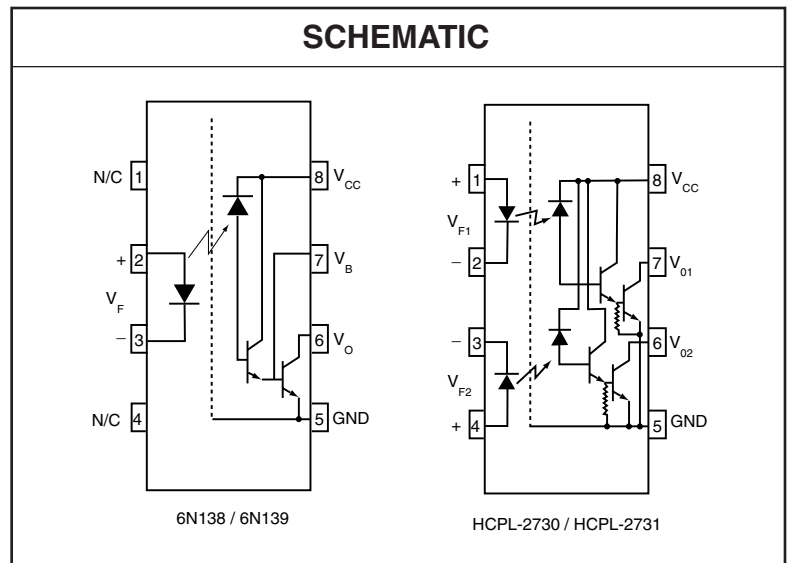
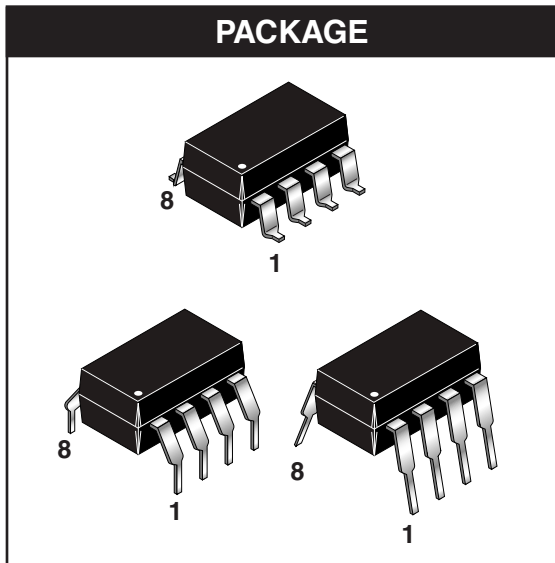


**THE DATASHEET OF
6N139WV**



SINGLE-CHANNEL: 6N138
DUAL-CHANNEL: HCPL-2730

6N139
HCPL-2731



DESCRIPTION

The 6N138/9 and HCPL-2730/HCPL-2731 optocouplers consist of an AlGaAs LED optically coupled to a high gain split darlington photodetector.

The split darlington configuration separating the input photodiode and the first stage gain from the output transistor permits lower output saturation voltage and higher speed operation than possible with conventional darlington phototransistor optocoupler. In the dual channel devices, HCPL-2730/HCPL2731, an integrated emitter - base resistor provides superior stability over temperature.

The combination of a very low input current of 0.5 mA and a high current transfer ratio of 2000% makes this family particularly useful for input interface to MOS, CMOS, LSTTL and EIA RS232C, while output compatibility is ensured to CMOS as well as high fan-out TTL requirements. An internal noise shield provides exceptional common mode rejection of 10 kV/ μ s.

FEATURES

- Low current - 0.5 mA
- Superior CTR-2000%
- Superior CMR-10 kV/ μ s
- CTR guaranteed 0-70°C
- U.L. recognized (File # E90700)
- VDE recognized (File # 120915) Ordering option V, e.g., 6N138V
- Dual Channel - HCPL-2730
- HCPL-2731

APPLICATIONS

- Digital logic ground isolation
- Telephone ring detector
- EIA-RS-232C line receiver
- High common mode noise line receiver
- μ P bus isolation
- Current loop receiver

**SINGLE-CHANNEL: 6N138
DUAL-CHANNEL: HCPL-2730**

**6N139
HCPL-2731**

ABSOLUTE MAXIMUM RATINGS ($T_A = 25^\circ\text{C}$ unless otherwise specified)

Parameter	Symbol	Value	Units
Storage Temperature	T_{STG}	-55 to +125	$^\circ\text{C}$
Operating Temperature	T_{OPR}	-40 to +85	$^\circ\text{C}$
Lead Solder Temperature (Wave solder only. See recommended reflow profile graph for convection or infrared reflow soldering process limits)	T_{SOL}	260 for 10 sec	$^\circ\text{C}$
EMITTER			
DC/Average Forward Input Current	Each Channel	I_F (avg)	20 mA
Peak Forward Input Current (50% duty cycle, 1 ms P.W.)	Each Channel	I_F (pk)	40 mA
Peak Transient Input Current - ($\leq 1 \mu\text{s}$ P.W., 300 pps)		I_F (trans)	1.0 A
Reverse Input Voltage	Each Channel	V_R	5 V
Input Power Dissipation	Each Channel	P_D	35 mW
DETECTOR			
Average Output Current	Each Channel	I_O (avg)	60 mA
Emitter-Base Reverse Voltage	(6N138 and 6N139)	V_{ER}	0.5 V
Supply Voltage, Output Voltage	(6N138, HCPL-2730)	V_{CC}, V_O	-0.5 to 7
	(6N139, HCPL-2731)		-0.5 to 18
Output Power Dissipation	Each Channel	P_O	100 mW

SINGLE-CHANNEL: 6N138

6N139

DUAL-CHANNEL: HCPL-2730

HCPL-2731

ELECTRICAL CHARACTERISTICS ($T_A = 0$ to 70°C Unless otherwise specified)

INDIVIDUAL COMPONENT CHARACTERISTICS

Parameter	Test Conditions	Symbol	Device	Min	Typ**	Max	Unit
EMITTER Input Forward Voltage	$T_A = 25^\circ\text{C}$ Each channel ($I_F = 1.6$ mA)	V_F	All		1.30	1.7	V
					1.75		
Input Reverse Breakdown Voltage	($T_A = 25^\circ\text{C}$, $I_R = 10$ μA) Each Channel	BV_R	All	5.0	20		V
Temperature coefficient of forward voltage	($I_F = 1.6$ mA)	$(\Delta V_F / \Delta T_A)$	All		-1.8		mV/ $^\circ\text{C}$
DETECTOR Logic high output current	($I_F = 0$ mA, $V_O = V_{CC} = 18$ V) Each Channel	I_{OH}	6N139		0.01	100	μA
			HCPL-2731				
	($I_F = 0$ mA, $V_O = V_{CC} = 7$ V) Each Channel		6N138		0.01	250	
			HCPL-2730				
Logic low supply	($I_F = 1.6$ mA, $V_O = \text{Open}$) ($V_{CC} = 18$ V)	I_{CCL}	6N138 6N139		0.4	1.5	mA
	($I_{F1} = I_{F2} = 1.6$ mA, $V_{CC} = 18$ V) ($V_{O1} - V_{O2} = \text{Open}$, $V_{CC} = 7$ V)		HCPL-2731		1.3	3	
			HCPL-2730				
Logic high supply	($I_F = 0$ mA, $V_O = \text{Open}$, $V_{CC} = 18$ V)	I_{CCH}	6N135 6N136		0.05	10	μA
	($I_{F1} = I_{F2} = 0$ mA, $V_{CC} = 18$ V)		HCPL-2731		0.10	20	
	($V_{O1} - V_{O2} = \text{Open}$, $V_{CC} = 7$ V)		HCPL-2730				

** All Typicals at $T_A = 25^\circ\text{C}$

SINGLE-CHANNEL: 6N138

6N139

DUAL-CHANNEL: HCPL-2730

HCPL-2731

TRANSFER CHARACTERISTICS ($T_A = 0$ to 70°C Unless otherwise specified)

Parameter	Test Conditions	Symbol	Device	Min	Typ**	Max	Unit
COUPLED Current transfer ratio (Note 1, 2)	($I_F = 0.5$ mA, $V_O = 0.4$ V, $V_{CC} = 4.5$ V) Each Channel	CTR	6N139	400	1100		%
			HCPL-2731		3500		
	($I_F = 1.6$ mA, $V_O = 0.4$ V, $V_{CC} = 4.5$ V) Each Channel		6N139	500	1300		%
			HCPL-2731		2500		
	($I_F = 1.6$ mA, $V_O = 0.4$ V, $V_{CC} = 4.5$ V) Each Channel		6N138	300	1300		%
			HCPL-2730		2500		
Logic low output voltage output voltage (Note 2)	($I_F = 0.5$ mA, $I_O = 2$ mA, $V_{CC} = 4.5$ V)	V_{OL}	6N139		0.08	0.4	V
	($I_F = 1.6$ mA, $I_O = 8$ mA, $V_{CC} = 4.5$ V) Each Channel		6N139		0.01	0.4	
			HCPL-2731				
	($I_F = 0.5$ mA, $I_O = 15$ mA, $V_{CC} = 4.5$ V) Each Channel		6N139		0.13	0.4	
			HCPL-2731				
	($I_F = 12$ mA, $I_O = 24$ mA, $V_{CC} = 4.5$ V) Each Channel		6N139		0.20	0.4	
			HCPL-2731				
	($I_F = 1.6$ mA, $I_O = 4.8$ mA, $V_{CC} = 4.5$ V) Each Channel		6N138		0.10	0.4	
	HCPL-2730						

** All Typicals at $T_A = 25^\circ\text{C}$

SINGLE-CHANNEL: 6N138

6N139

DUAL-CHANNEL: HCPL-2730

HCPL-2731

SWITCHING CHARACTERISTICS ($T_A = 0$ to 70°C unless otherwise specified., $V_{CC} = 5\text{ V}$)							
Parameter	Test Conditions	Symbol	Device	Min	Typ**	Max	Unit
Propagation delay time to logic low (Note 2) (Fig. 22)	($R_L = 4.7\text{ k}\Omega$, $I_F = 0.5\text{ mA}$) $T_A = 25^\circ\text{C}$	T_{PHL}	6N139		4	30	μs
	($R_L = 4.7\text{ k}\Omega$, $I_F = 0.5\text{ mA}$) Each Channel $T_A = 25^\circ\text{C}$		HCPL-2731		3	120	
	($R_L = 270\ \Omega$, $I_F = 12\text{ mA}$) $T_A = 25^\circ\text{C}$		6N139		0.2	2	
	($R_L = 270\ \Omega$, $I_F = 12\text{ mA}$) Each Channel $T_A = 25^\circ\text{C}$		HCPL-2730			3	
	($R_L = 270\ \Omega$, $I_F = 12\text{ mA}$) Each Channel $T_A = 25^\circ\text{C}$		HCPL-2731		0.3	2	
	($R_L = 2.2\text{ k}\Omega$, $I_F = 1.6\text{ mA}$) $T_A = 25^\circ\text{C}$		6N138			15	
	($R_L = 2.2\text{ k}\Omega$, $I_F = 1.6\text{ mA}$) Each Channel $T_A = 25^\circ\text{C}$		HCPL-2731			25	
	($R_L = 2.2\text{ k}\Omega$, $I_F = 1.6\text{ mA}$) Each Channel $T_A = 25^\circ\text{C}$		HCPL-2730		1	20	
Propagation delay time to logic high (Note 2) (Fig. 22)	($R_L = 4.7\text{ k}\Omega$, $I_F = 0.5\text{ mA}$) Each Channel	T_{PLH}	6N139			90	μs
	($R_L = 4.7\text{ k}\Omega$, $I_F = 0.5\text{ mA}$) $T_A = 25^\circ\text{C}$ Each Channel		HCPL-2731		12	60	
	($R_L = 4.7\text{ k}\Omega$, $I_F = 0.5\text{ mA}$) $T_A = 25^\circ\text{C}$ Each Channel		HCPL-2731		22		
	($R_L = 270\ \Omega$, $I_F = 12\text{ mA}$) $T_A = 25^\circ\text{C}$		6N139		1.3	10	
	($R_L = 270\ \Omega$, $I_F = 12\text{ mA}$) Each Channel $T_A = 25^\circ\text{C}$		HCPL-2730			15	
	($R_L = 270\ \Omega$, $I_F = 12\text{ mA}$) Each Channel $T_A = 25^\circ\text{C}$		HCPL-2731		5	10	
	($R_L = 2.2\text{ k}\Omega$, $I_F = 1.6\text{ mA}$) Each Channel		6N138			50	
	($R_L = 2.2\text{ k}\Omega$, $I_F = 1.6\text{ mA}$) $T_A = 25^\circ\text{C}$ Each Channel		HCPL-2730/1			35	
Common mode transient immunity at logic high	($I_F = 0\text{ mA}$, $ V_{CM} = 10\text{ V}_{P-P}$) $T_A = 25^\circ\text{C}$, ($R_L = 2.2\text{ k}\Omega$) (Note 3) (Fig. 23)	ICM_{HI}	6N138	1,000	10,000		$\text{V}/\mu\text{s}$
	Each Channel		6N139				
Common mode transient immunity at logic low	($I_F = 1.6\text{ mA}$, $ V_{CM} = 10\text{ V}_{P-P}$, $R_L = 2.2\text{ k}\Omega$) $T_A = 25^\circ\text{C}$, (Note 3) (Fig. 23)	ICM_{LI}	6N138	1,000	10,000		$\text{V}/\mu\text{s}$
	Each Channel		6N139				
			HCPL-2730				
			HCPL-2731				

** All Typicals at $T_A = 25^\circ\text{C}$

**SINGLE-CHANNEL: 6N138
DUAL-CHANNEL: HCPL-2730**

**6N139
HCPL-2731**

ISOLATION CHARACTERISTICS ($T_A = 0$ to 70°C Unless otherwise specified)						
Characteristics	Test Conditions	Symbol	Min	Typ**	Max	Unit
Input-output insulation leakage current	(Relative humidity = 45%) ($T_A = 25^\circ\text{C}$, $t = 5$ s) ($V_{I-O} = 3000$ VDC) (Note 8)	I_{I-O}			1.0	μA
Withstand insulation test voltage	($RH \leq 50\%$, $T_A = 25^\circ\text{C}$) (Note 4) ($t = 1$ min.)	V_{ISO}	2500			V_{RMS}
Resistance (input to output)	(Note 4) ($V_{I-O} = 500$ VDC)	R_{I-O}		10^{12}		Ω
Capacitance (input to output)	(Note 4, 5) ($f = 1$ MHz)	C_{I-O}		0.6		pF
Input-Input Insulation leakage current	($RH \leq 45\%$, $V_{I-I} = 500$ VDC) (Note 6) $t = 5$ s, (HCPL-2730/2731 only)	I_{I-I}		0.005		μA
Input-Input Resistance	($V_{I-I} = 500$ VDC) (Note 6) (HCPL-2730/2731 only)	R_{I-I}		10^{11}		Ω
Input-Input Capacitance	($f = 1$ MHz) (Note 6) (HCPL-2730/2731 only)	C_{I-I}		0.03		pF

** All Typicals at $T_A = 25^\circ\text{C}$

Notes

1. Current Transfer Ratio is defined as a ratio of output collector current, I_O , to the forward LED input current, I_F , times 100%.
2. Pin 7 open. (6N138 and 6N139 only)
3. Common mode transient immunity in logic high level is the maximum tolerable (positive) dV_{cm}/dt on the leading edge of the common mode pulse signal V_{CM} , to assure that the output will remain in a logic high state (i.e., $V_O > 2.0$ V). Common mode transient immunity in logic low level is the maximum tolerable (negative) dV_{cm}/dt on the trailing edge of the common mode pulse signal, V_{CM} , to assure that the output will remain in a logic low state (i.e., $V_O < 0.8$ V).
4. Device is considered a two terminal device: Pins 1, 2, 3 and 4 are shorted together and Pins 5, 6, 7 and 8 are shorted together.
5. For dual channel devices, C_{I-O} is measured by shorting pins 1 and 2 or pins 3 and 4 together and pins 5 through 8 shorted together.
6. Measured between pins 1 and 2 shorted together, and pins 3 and 4 shorted together.

**SINGLE-CHANNEL: 6N138
DUAL-CHANNEL: HCPL-2730**

**6N139
HCPL-2731**

ELECTRICAL CHARACTERISTICS ($T_A = 25^\circ\text{C}$ unless otherwise specified)

Current Limiting Resistor Calculations

$$R_1 \text{ (Non-Invert)} = \frac{V_{DD1} - V_{DF} - V_{OL1}}{I_F}$$

$$R_1 \text{ (Invert)} = \frac{V_{DD1} - V_{OH1} - V_{DF}}{I_F}$$

$$R_2 = \frac{V_{DD2} - V_{OLX} (@ I_L - I_2)}{I_L}$$

Where:

V_{DD1} - Input Supply Voltage

V_{DD2} - Output Supply Voltage

V_{DF} - Diode Forward Voltage

V_{OL1} - Logic "0" Voltage of Driver

V_{OH1} - Logic "1" Voltage of Driver

I_F - Diode Forward Current

V_{OLX} - Saturation Voltage of Output Transistor

I_L - Load Current Through Resistor R2

I_2 - Input Current of Output Gate

INPUT		R1 (V)	OUTPUT					
			CMOS @ 5 V R2 (V)	CMOS @ 10 V R2 (V)	74XX R2 (V)	74LXX R2 (V)	74SXX R2 (V)	74LSXX R2 (V)
CMOS @ 5 V	NON-INV.	2000	1000	2200	750	1000	1000	560
	INV.	510						
CMOS @ 10 V	NON-INV.	5100						
	INV.	4700						
74XX	NON-INV.	2200						
	INV.	180						
74LXX	NON-INV.	1800						
	INV.	100						
74SXX	NON-INV.	2000						
	INV.	360						
74LSXX	NON-INV.	2000						
	INV.	180						
74HXX	NON-INV.	2000						
	INV.	180						

Fig. 1 Resistor Values for Logic Interface

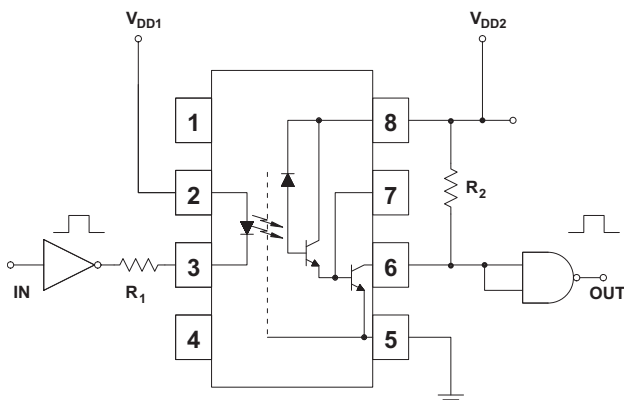


Fig. 2 Non-Inverting Logic Interface

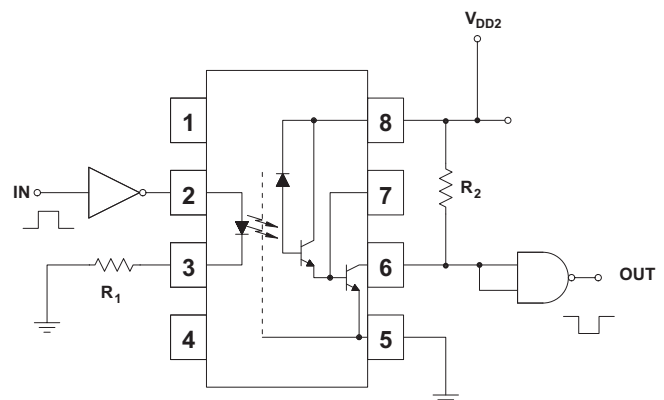


Fig. 3 Inverting Logic Interface

SINGLE-CHANNEL: 6N138

6N139

DUAL-CHANNEL: HCPL-2730

HCPL-2731

Fig. 4 LED Forward Current vs. Forward Voltage

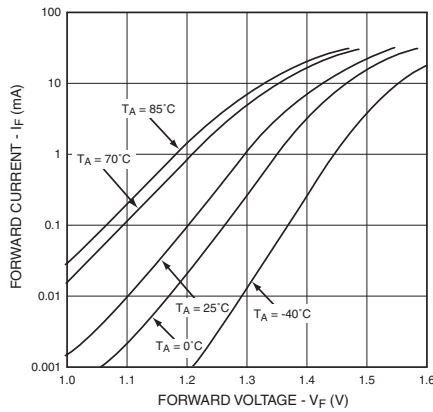


Fig. 5 LED Forward Voltage vs. Temperature

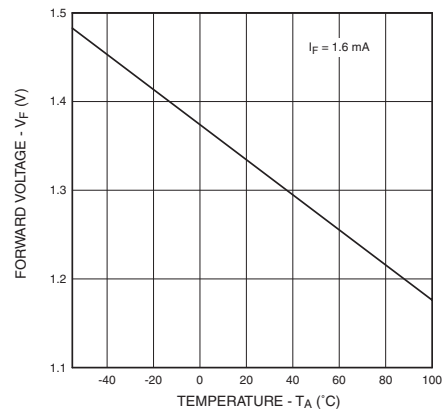


Fig. 6 Non-saturated Rise and Fall Times vs. Load Resistance (6N138 / 6N139 Only)

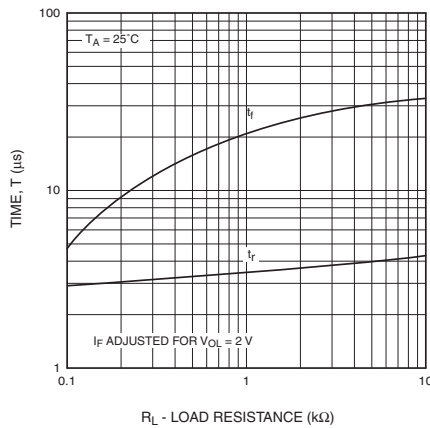


Fig. 7 Non-saturated Rise and Fall Times vs. Load Resistance (HCPL-2730 / HCPL-2731 Only)

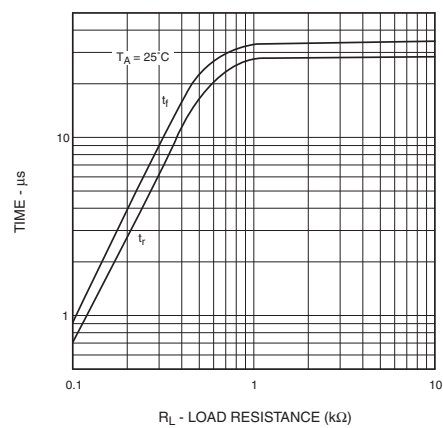


Fig. 8 Propagation Delay To Logic Low vs. Base-Emitter Resistance (HCPL-2730 / HCPL-2731 Only)

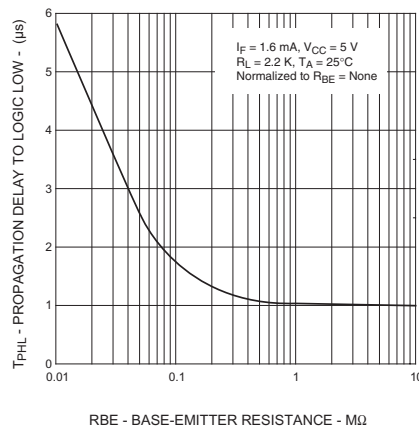
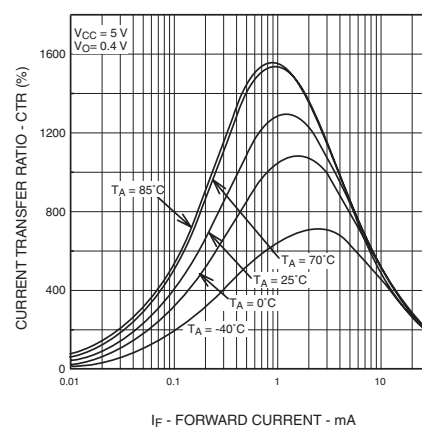


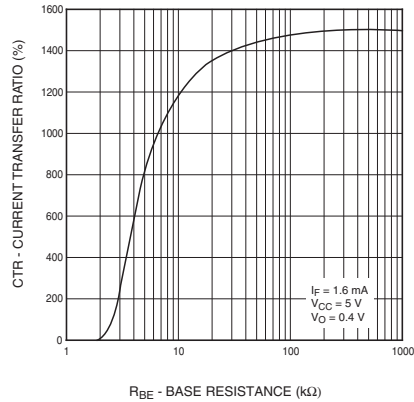
Fig. 9 Current Transfer Ratio vs. Forward Current (6N138 / 6N139 Only)



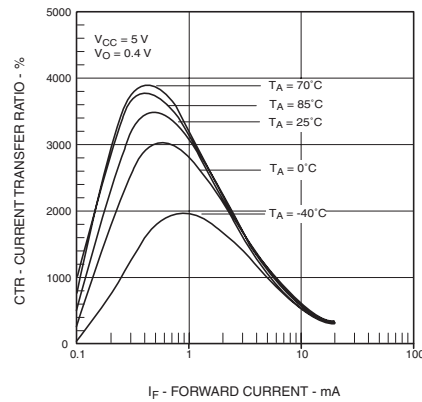
**SINGLE-CHANNEL: 6N138
DUAL-CHANNEL: HCPL-2730**

**6N139
HCPL-2731**

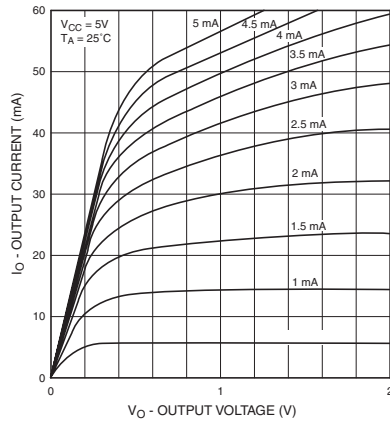
**Fig. 10 Current Transfer Ratio vs. Base-Emitter Resistance
(6N138 / 6N139 Only)**



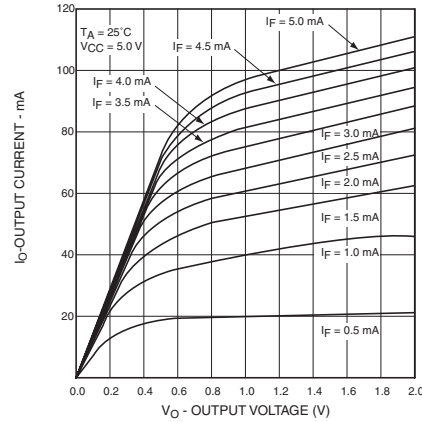
**Fig. 11 Current Transfer Ratio vs. Forward Current
(HCPL-2730 / HCPL-2731 Only)**



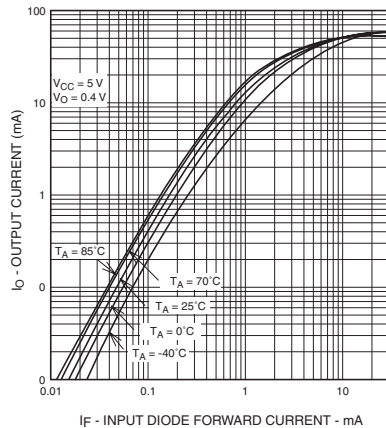
**Fig. 12 Output Current vs Output Voltage
(6N138 / 6N139 Only)**



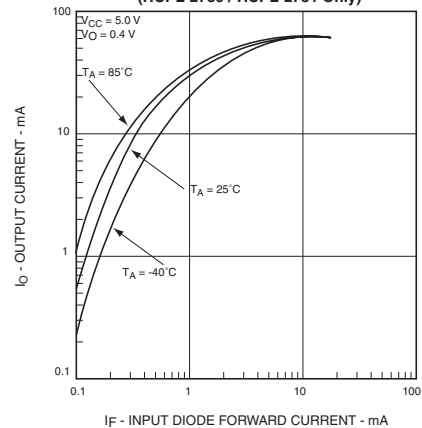
**Fig. 13 Output Current vs Output Voltage
(HCPL-2730 / HCPL-2731 Only)**



**Fig. 14 Output Current vs. Input Diode Forward Current
(6N138 / 6N139 Only)**



**Fig. 15 Output Current vs Input Diode Forward Current
(HCPL-2730 / HCPL-2731 Only)**



SINGLE-CHANNEL: 6N138

6N139

DUAL-CHANNEL: HCPL-2730

HCPL-2731

Fig. 16 Logic Low Supply Current vs. Input Diode Forward Current (6N138 / 6N139 Only)

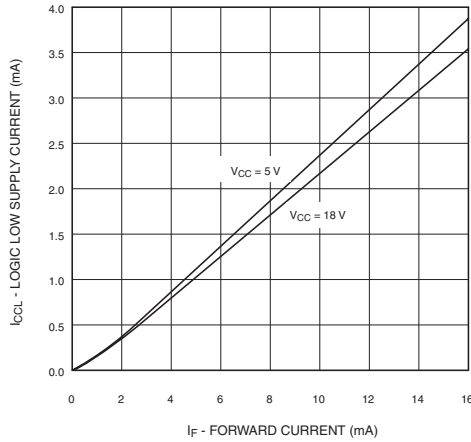


Fig. 17 Logic Low Supply Current vs. Input Diode Forward Current (HCPL-2730 / HCPL-2731 Only)

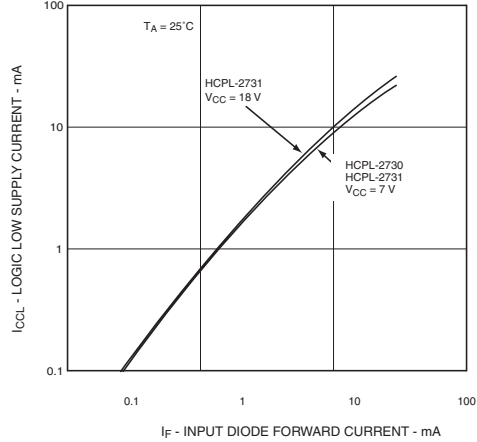


Fig. 18 Propagation Delay vs. Input Diode Forward Current (6N138 / 6N139 Only)

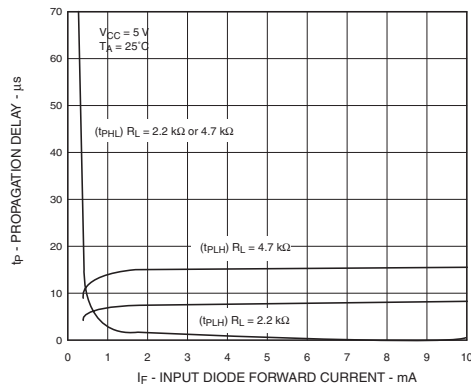


Fig. 19 Propagation Delay vs. Input Diode Forward Current (HCPL-2730 / HCPL-2731 Only)

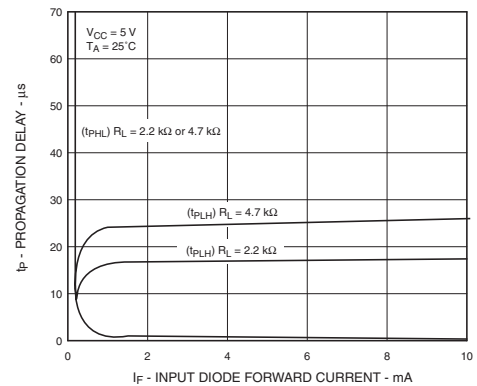


Fig. 20 Propagation Delay to Logic Low vs. Pulse Period (6N138 / 6N139 Only)

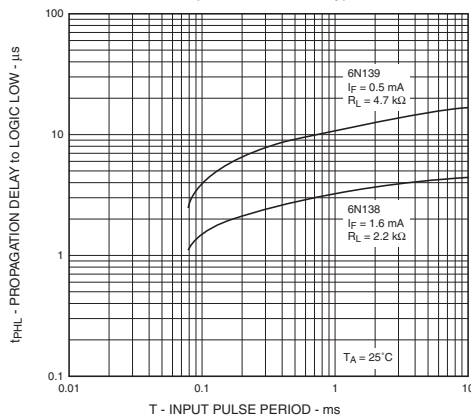
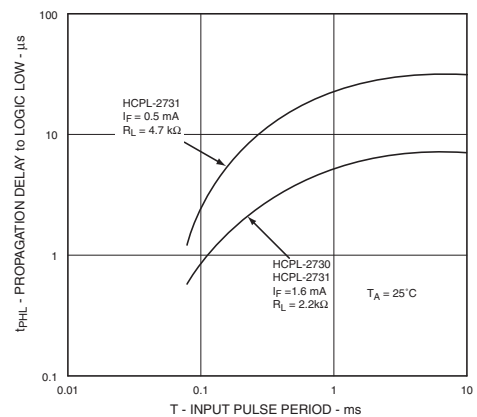


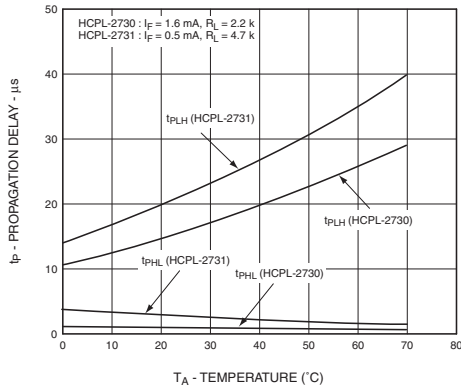
Fig. 21 Propagation Delay to Logic Low vs. Pulse Period (HCPL-2730 / HCPL-2731 Only)



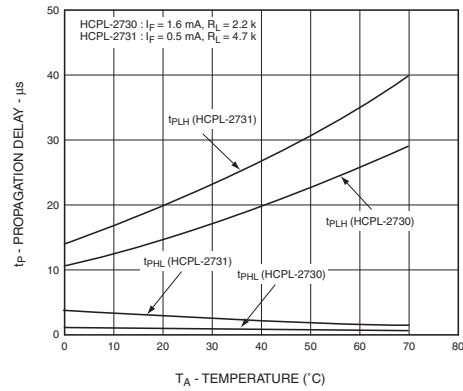
**SINGLE-CHANNEL: 6N138
DUAL-CHANNEL: HCPL-2730**

**6N139
HCPL-2731**

**Fig. 22 Propagation Delay vs. Temperature
(6N138 / 6N139 Only)**

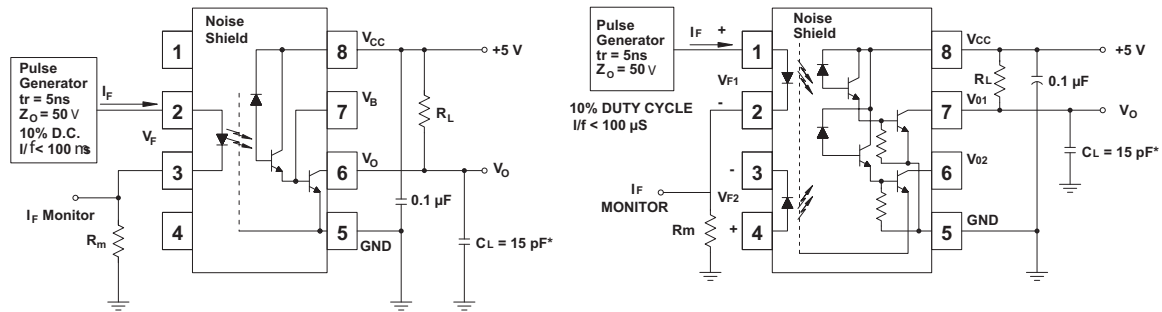


**Fig. 23 Propagation Delay vs. Temperature
(HCPL-2730 / HCPL-2731 Only)**



**SINGLE-CHANNEL: 6N138
DUAL-CHANNEL: HCPL-2730**

**6N139
HCPL-2731**



Test Circuit for 6N138, 6N139

Test Circuit for HCPL-2730 and HCPL-2731

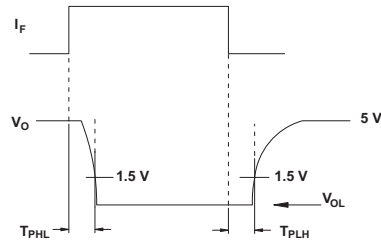
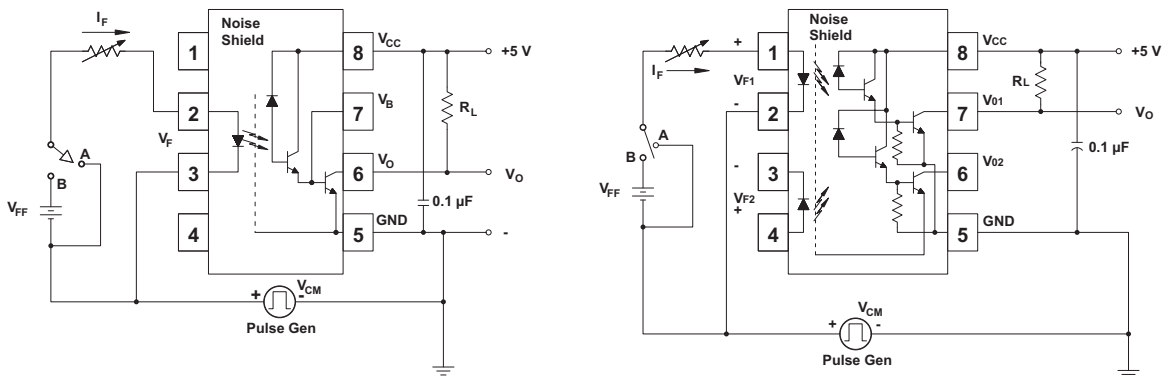


Fig. 22 Switching Time Test Circuit



Test Circuit for 6N138 and 6N139

Test Circuit for HCPL-2730 and HCPL-2731

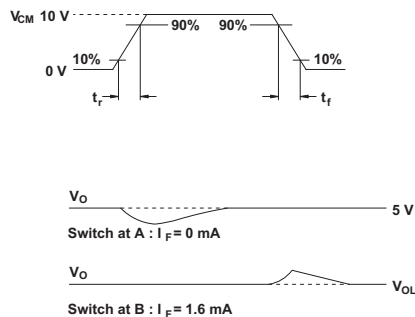
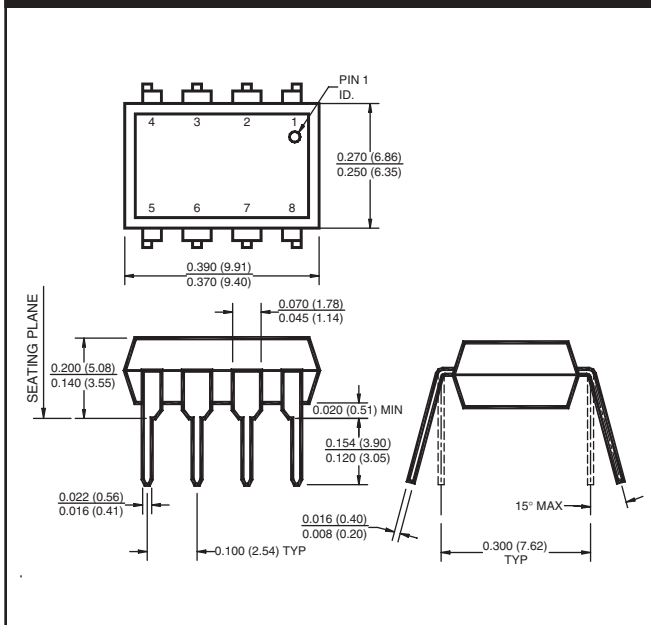


Fig. 23 Common Mode Immunity Test Circuit

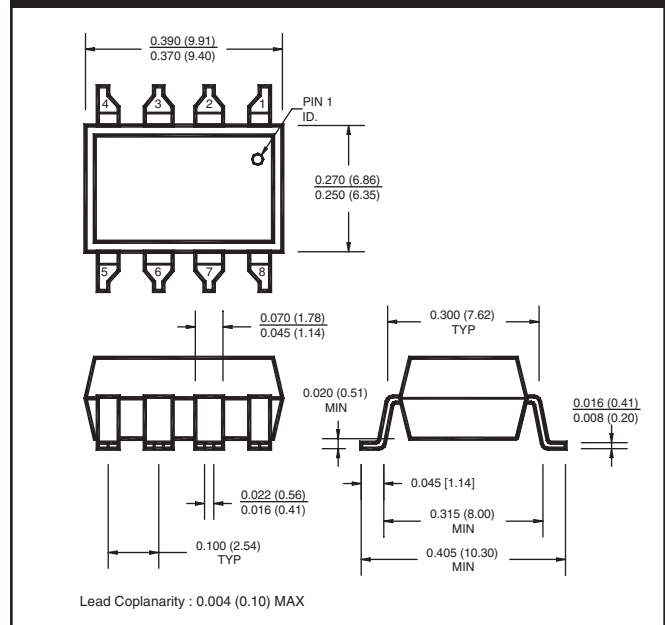
**SINGLE-CHANNEL: 6N138
DUAL-CHANNEL: HCPL-2730**

**6N139
HCPL-2731**

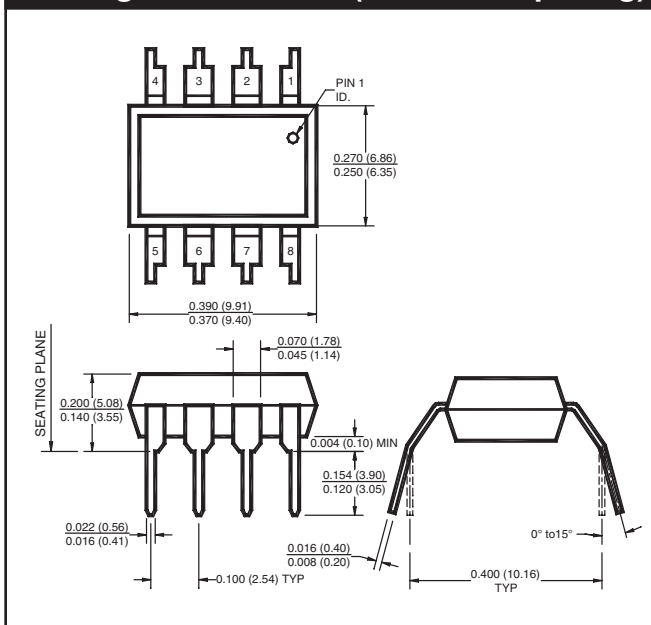
Package Dimensions (Through Hole)



Package Dimensions (Surface Mount)



Package Dimensions (0.4" Lead Spacing)



NOTE
All dimensions are in inches (millimeters)

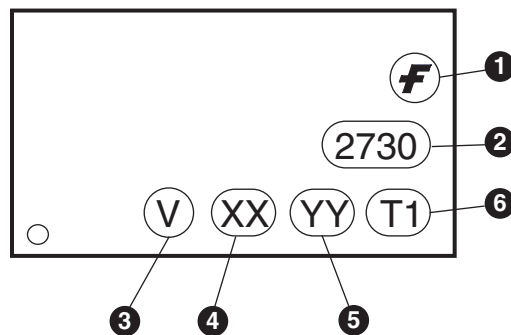
SINGLE-CHANNEL: 6N138
DUAL-CHANNEL: HCPL-2730

6N139
HCPL-2731

ORDERING INFORMATION

Option	Example Part Number	Description
S	6N138S	Surface Mount Lead Bend
SD	6N138SD	Surface Mount; Tape and reel
T	6N138T	0.4" Lead Spacing
V	6N138V	VDE0884
TV	6N138TV	VDE0884; 0.4" lead spacing
SV	6N138SV	VDE0884; surface mount
SDV	6N138SDV	VDE0884; surface mount; tape and reel

MARKING INFORMATION

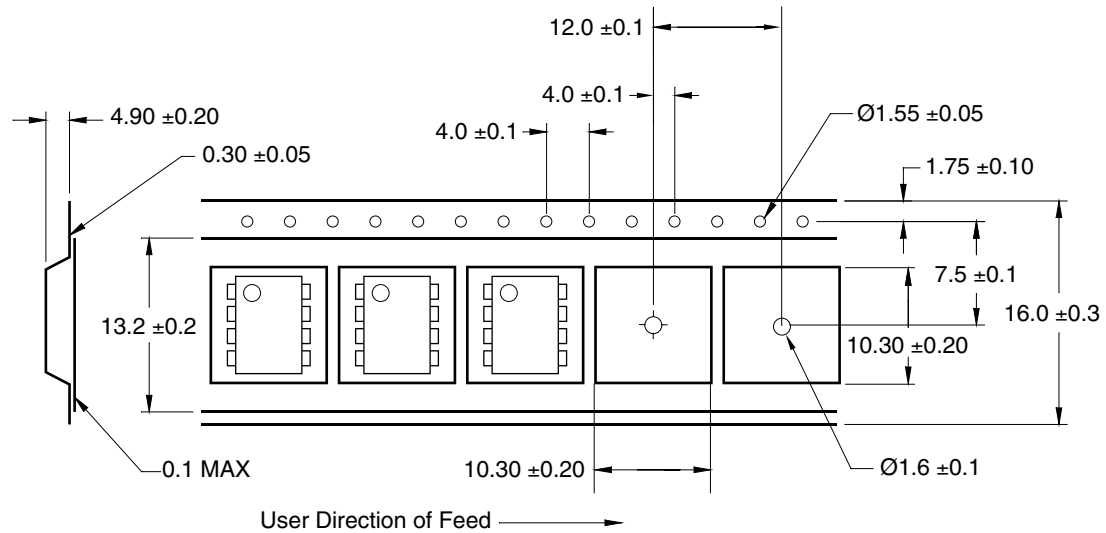


Definitions	
1	Fairchild logo
2	Device number
3	VDE mark (Note: Only appears on parts ordered with VDE option – See order entry table)
4	Two digit year code, e.g., '03'
5	Two digit work week ranging from '01' to '53'
6	Assembly package code

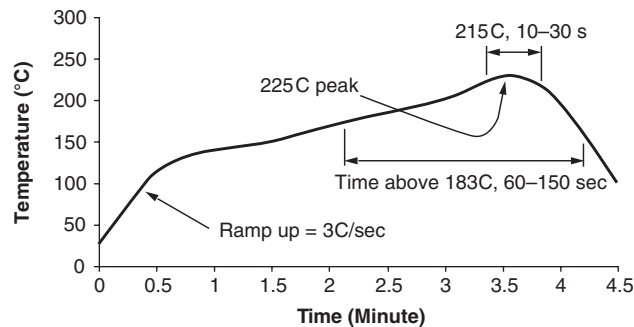
SINGLE-CHANNEL: 6N138
DUAL-CHANNEL: HCPL-2730

6N139
HCPL-2731

Carrier Tape Specifications



Reflow Profile



- Peak reflow temperature: 225C (package surface temperature)
- Time of temperature higher than 183C for 60-150 seconds
- One time soldering reflow is recommended

SINGLE-CHANNEL: 6N138
DUAL-CHANNEL: HCPL-2730

6N139
HCPL-2731

DISCLAIMER

FAIRCHILD SEMICONDUCTOR RESERVES THE RIGHT TO MAKE CHANGES WITHOUT FURTHER NOTICE TO ANY PRODUCTS HEREIN TO IMPROVE RELIABILITY, FUNCTION OR DESIGN. FAIRCHILD DOES NOT ASSUME ANY LIABILITY ARISING OUT OF THE APPLICATION OR USE OF ANY PRODUCT OR CIRCUIT DESCRIBED HEREIN; NEITHER DOES IT CONVEY ANY LICENSE UNDER ITS PATENT RIGHTS, NOR THE RIGHTS OF OTHERS.



LIFE SUPPORT POLICY

FAIRCHILD'S PRODUCTS ARE NOT AUTHORIZED FOR USE AS CRITICAL COMPONENTS IN LIFE SUPPORT DEVICES OR SYSTEMS WITHOUT THE EXPRESS WRITTEN APPROVAL OF THE PRESIDENT OF FAIRCHILD SEMICONDUCTOR CORPORATION. As used herein:

1. Life support devices or systems are devices or systems which, (a) are intended for surgical implant into the body, or (b) support or sustain life, and (c) whose failure to perform when properly used in accordance with instructions for use provided in the labeling, can be reasonably expected to result in a significant injury of the user.
2. A critical component in any component of a life support device or system whose failure to perform can be reasonably expected to cause the failure of the life support device or system, or to affect its safety or effectiveness.

Looking for pricing, stock, or lifecycle information?

Click below to explore more details on WIN SOURCE:

-  [View 6N139WV on WIN SOURCE](#)
-  [Fairchild/ON Semiconductor](#) Information

Optimize Your Supply Chain with WIN SOURCE Solutions

-  Global Sourcing Solution
-  Obsolete Management
-  Cost Control Management
-  Shortage Management
-  Alternative Solution
-  Excess Inventory Management