



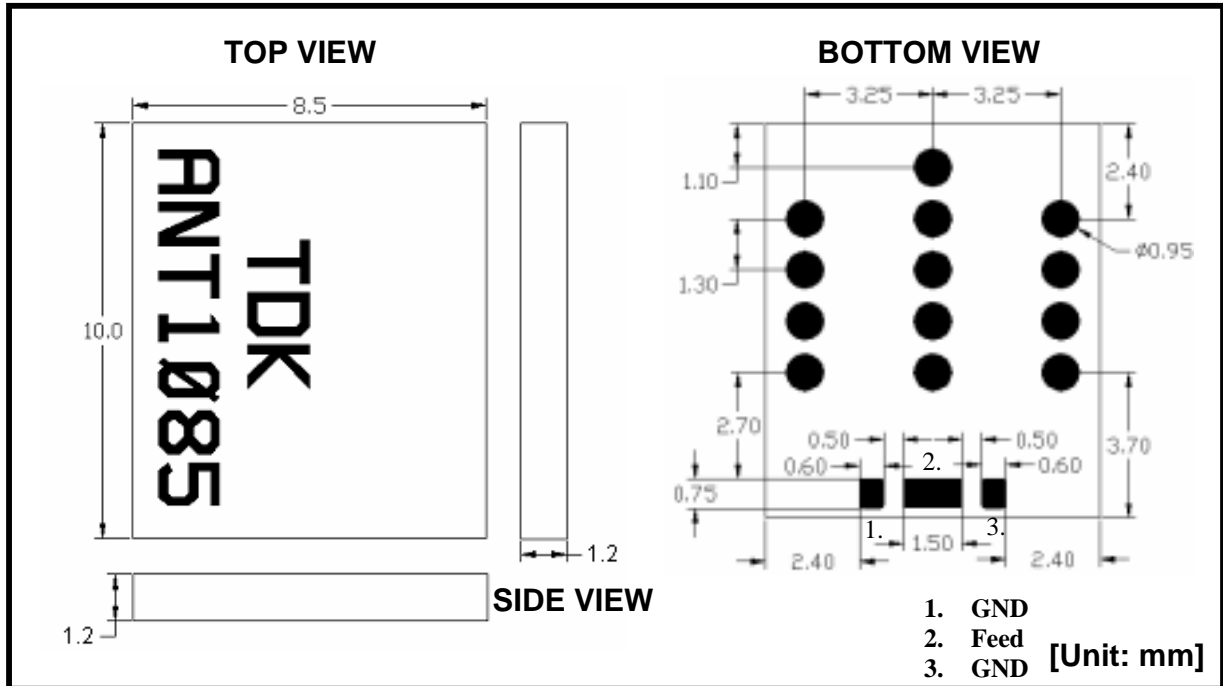
**THE DATASHEET OF
ANT1085-4R1-01A**



LTCC CHIP ANTENNA FOR UWB

SAMPLE P/N: **ANT1085-4R1-01A-ES4.5**

[MECHANICAL DIMENSIONS]

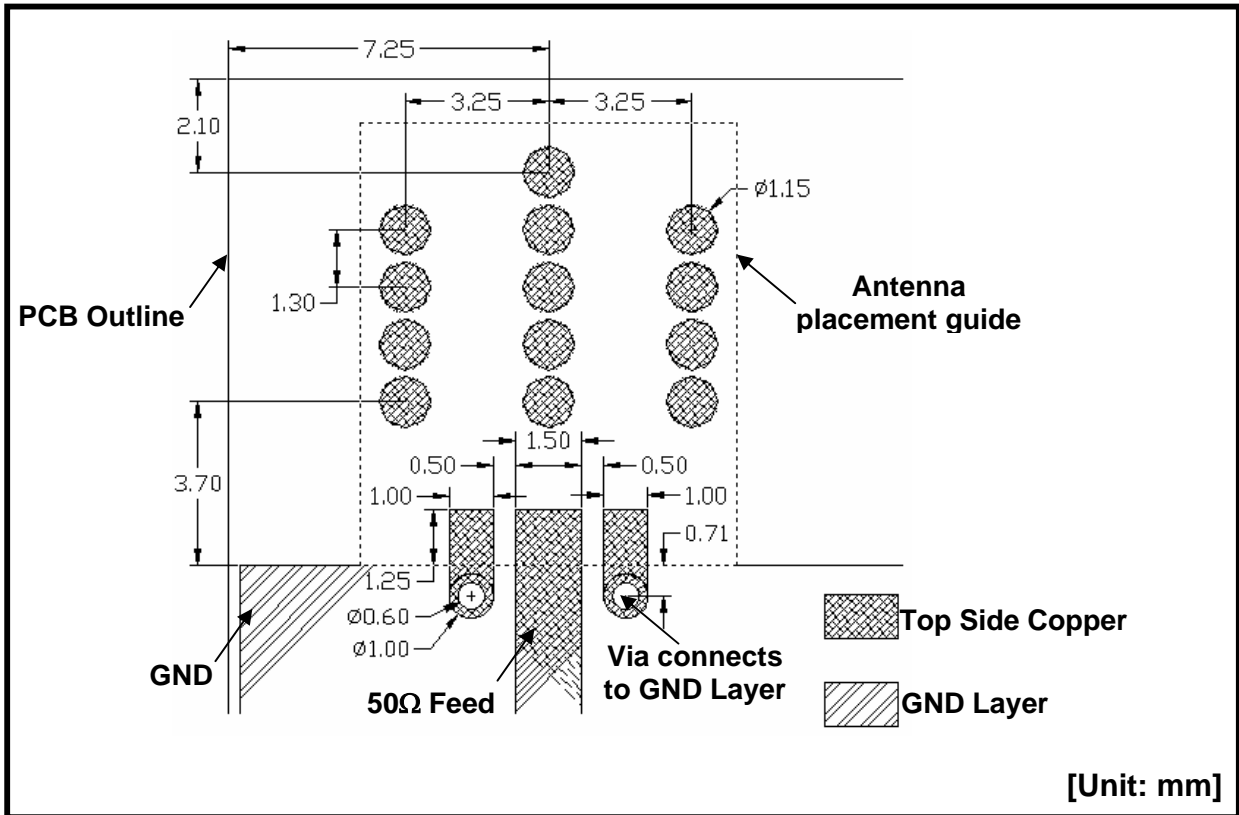


[ELECTRICAL CHARACTERISTICS]

PARAMETER	VALUE	UNIT
Operation Frequency	3.1 – 5.2	GHz
Polarization	Linear (Mixed)	NONE
Antenna Gain	2.0 (typ.)	dBi
Impedance	50	ohm
VSWR	3 (Max)	NONE

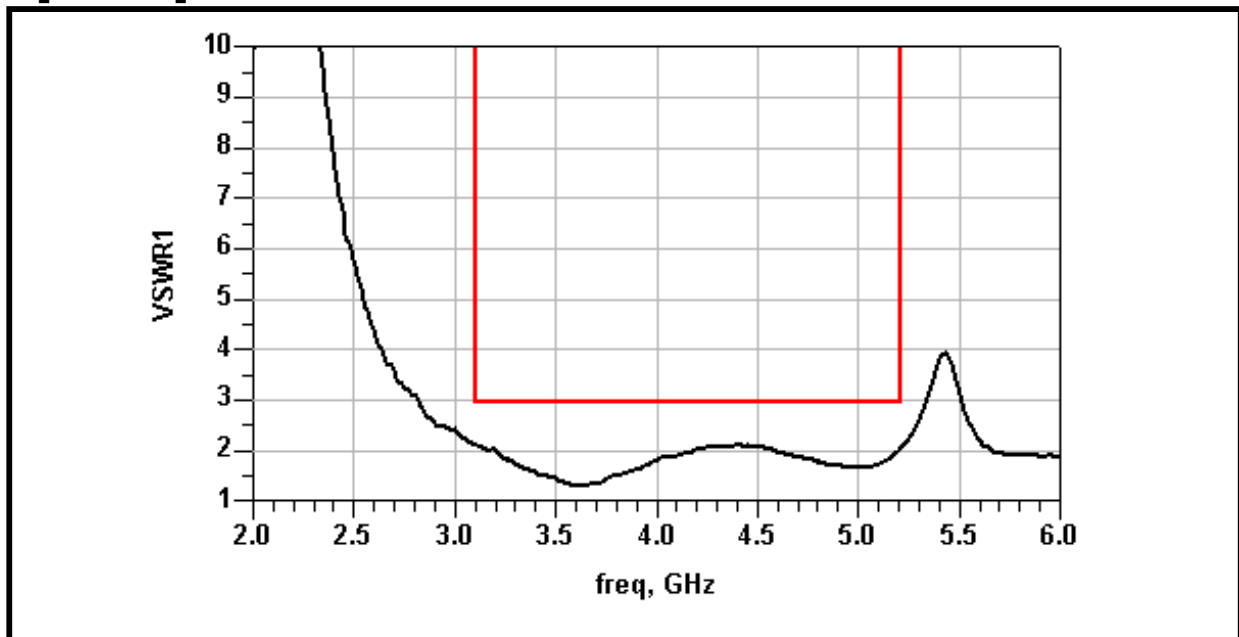
Operating temperature	-30	+85	°C
Storage temperature	-40	+85	°C

[Recommended PCB Pattern]



Note 1: No ground should be placed on any layer under the antenna.
 Note 2: The antenna should be positioned close to the edge of the PCB.

[VSWR]

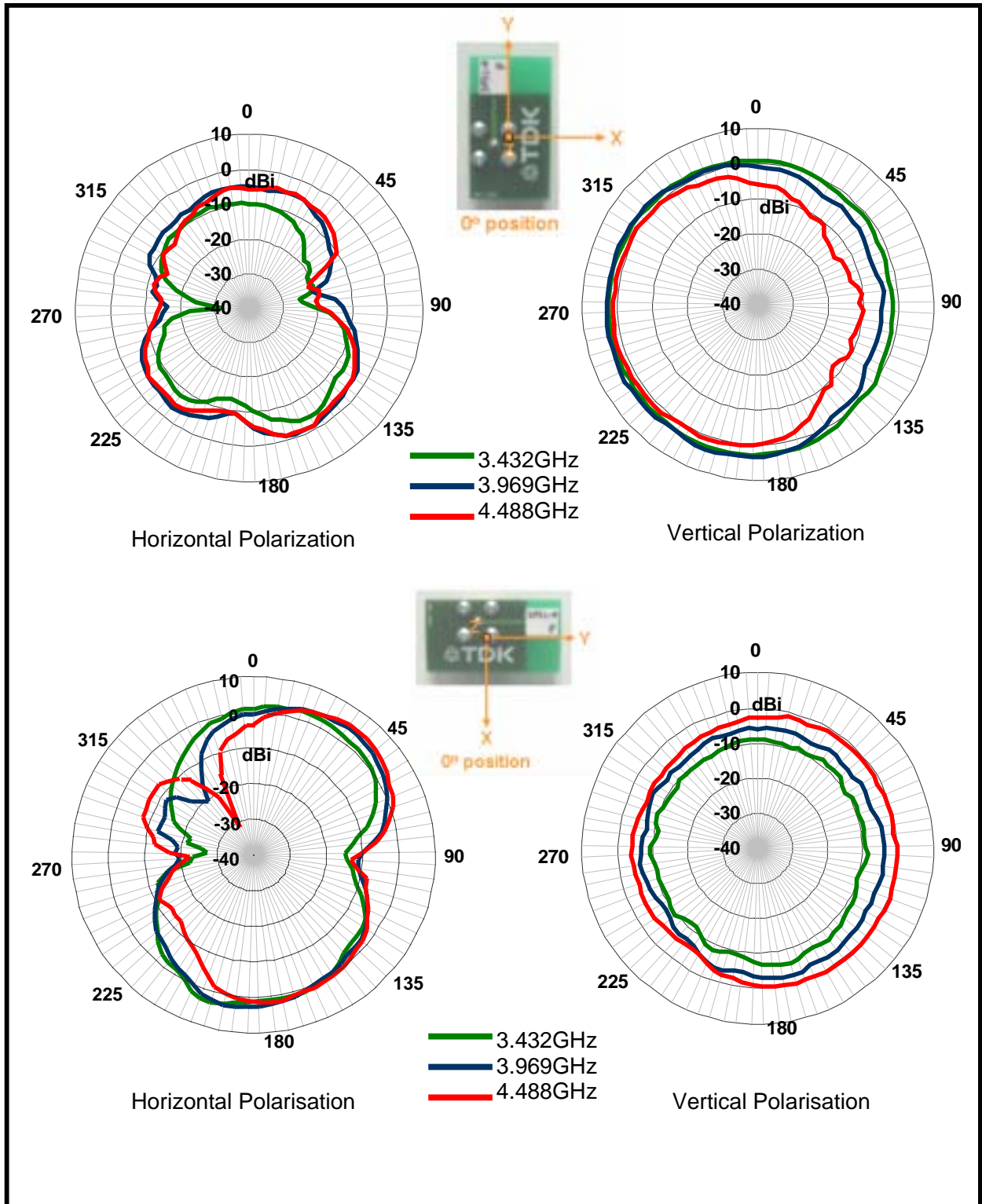


Note: Tested antenna has been soldered on 24X43mm² PCB.

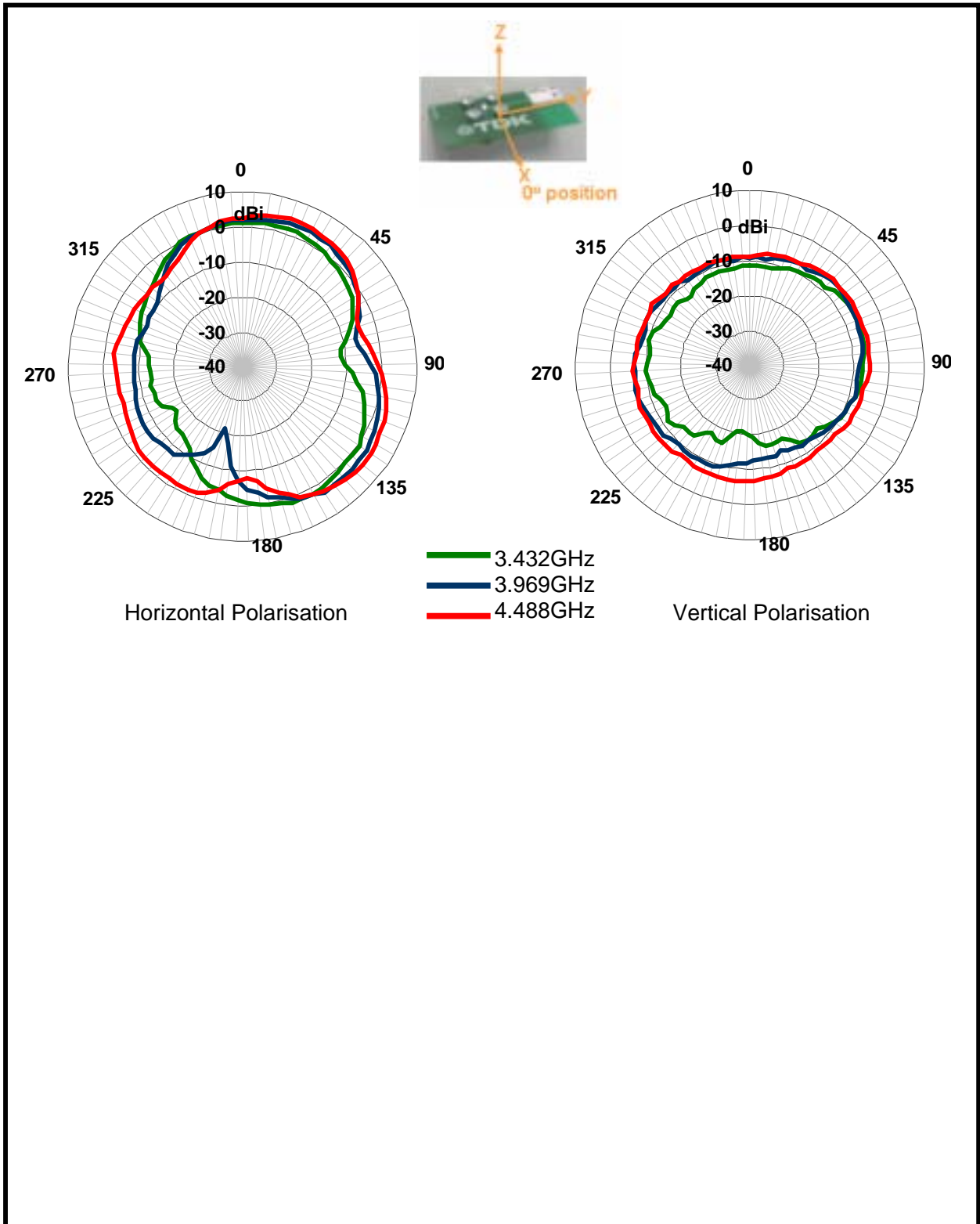
Note: This document is PRELIMINARY. All specifications are subject to change without notice and are not guaranteed.

[RADIATION PATTERN]

- Item: ANT1085 – 4R1 – 01A
- Simulated results in advance of measurements



Note: This document is PRELIMINARY. All specifications are subject to change without notice and are not guaranteed.



Looking for pricing, stock, or lifecycle information?

Click below to explore more details on WIN SOURCE:

- ⊖ [View ANT1085-4R1-01A on WIN SOURCE](#)
- ⊖ [TDK Corporation](#) Information

Optimize Your Supply Chain with WIN SOURCE Solutions

- ✓ Global Sourcing Solution
- ✓ Obsolete Management
- ✓ Cost Control Management
- ✓ Shortage Management
- ✓ Alternative Solution
- ✓ Excess Inventory Management