



THE DATASHEET OF CBRHDSH2-40 TR13



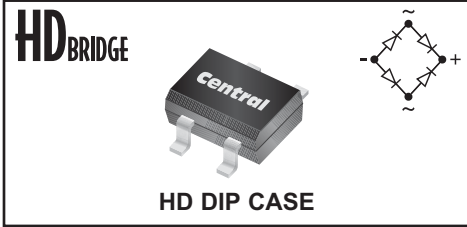
CBRHDSH2-40
SURFACE MOUNT
HIGH DENSITY
2 AMP SILICON
SCHOTTKY BRIDGE RECTIFIER



www.centrasemi.com

DESCRIPTION:

The CENTRAL SEMICONDUCTOR CBRHDSH2-40 is a full wave bridge rectifier mounted in a durable epoxy surface mount molded case, utilizing glass passivated chips.



MARKING CODE: CSH2

FEATURES:

- Low Leakage Current (20 μ A TYP @ V_{RRM})
- High 2.0A Current Rating
- Low V_F Schottky Diodes (500mV MAX @ $I_F=2.0A$)

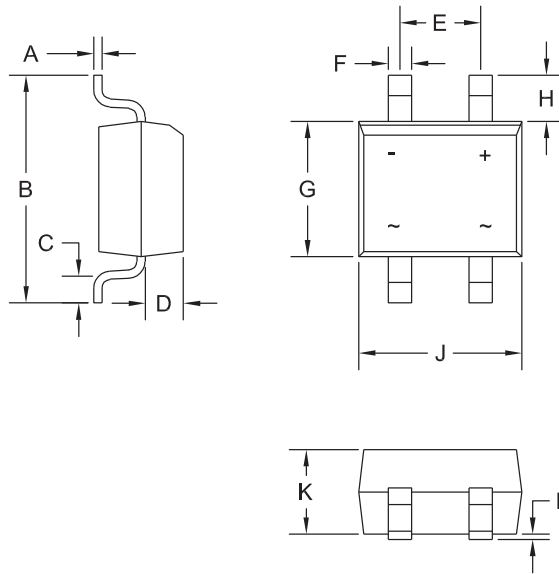
| MAXIMUM RATINGS: ($T_A=25^\circ\text{C}$ unless otherwise noted) | SYMBOL | | UNITS |
|--|---------------|-------------|--------------------|
| Peak Repetitive Reverse Voltage | V_{RRM} | 40 | V |
| DC Blocking Voltage | V_R | 40 | V |
| RMS Reverse Voltage | $V_{R(RMS)}$ | 28 | V |
| Average Forward Current | I_O | 2.0 | A |
| Peak Forward Surge Current | I_{FSM} | 30 | A |
| Power Dissipation | P_D | 2.0 | W |
| Operating Junction Temperature | T_J | -50 to +125 | $^\circ\text{C}$ |
| Storage Temperature | T_{stg} | -50 to +150 | $^\circ\text{C}$ |
| Thermal Resistance | Θ_{JA} | 50 | $^\circ\text{C/W}$ |

| ELECTRICAL CHARACTERISTICS PER DIODE: ($T_A=25^\circ\text{C}$ unless otherwise noted) | | | | |
|---|----------------------------------|------------|------------|---------------|
| SYMBOL | TEST CONDITIONS | TYP | MAX | UNITS |
| I_R | $V_R=40V$ | 20 | 50 | μA |
| I_R | $V_R=40V, T_A=100^\circ\text{C}$ | 5.0 | 20 | mA |
| V_F | $I_F=2.0A$ | 450 | 500 | mV |
| C_J | $V_R=4.0V, f=1.0\text{MHz}$ | | 250 | pF |

CBRHDSH2-40
SURFACE MOUNT
HIGH DENSITY
2 AMP SILICON
SCHOTTKY BRIDGE RECTIFIER



HD DIP CASE - MECHANICAL OUTLINE



R2

| DIMENSIONS | | | | |
|-------------------|--------|-------|-------------|------|
| SYMBOL | INCHES | | MILLIMETERS | |
| | MIN | MAX | MIN | MAX |
| A | 0.006 | 0.014 | 0.15 | 0.35 |
| B | - | 0.275 | - | 7.00 |
| C | 0.027 | 0.043 | 0.70 | 1.10 |
| D | 0.035 | 0.051 | 0.90 | 1.30 |
| E | 0.090 | 0.106 | 2.30 | 2.70 |
| F | 0.019 | 0.031 | 0.50 | 0.80 |
| G | 0.150 | 0.165 | 3.80 | 4.20 |
| H | 0.051 | 0.067 | 1.30 | 1.70 |
| J | 0.177 | 0.193 | 4.50 | 4.90 |
| K | 0.090 | 0.106 | 2.30 | 2.70 |
| L | 0.000 | 0.008 | 0.00 | 0.20 |

HD DIP (REV: R2)

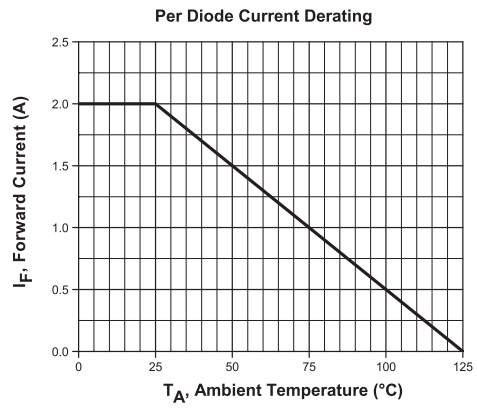
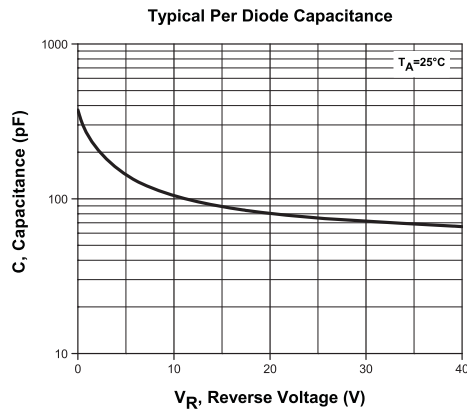
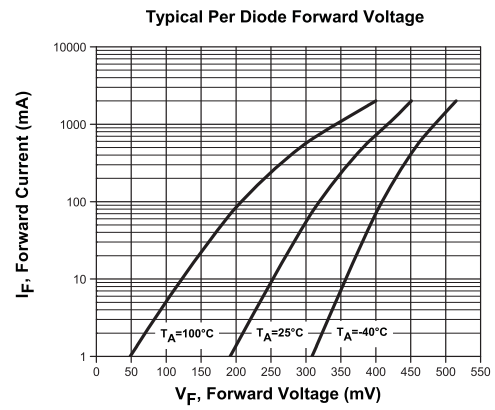
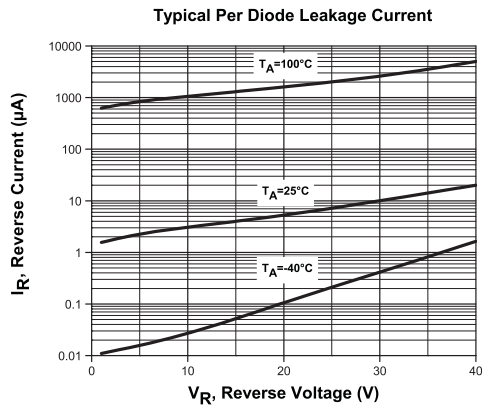
MARKING CODE: CSH2

R4 (4-January 2010)

CBRHDSH2-40
SURFACE MOUNT
HIGH DENSITY
2 AMP SILICON
SCHOTTKY BRIDGE RECTIFIER



TYPICAL ELECTRICAL CHARACTERISTICS



R4 (4-January 2010)

OUTSTANDING SUPPORT AND SUPERIOR SERVICES



PRODUCT SUPPORT

Central's operations team provides the highest level of support to insure product is delivered on-time.

- Supply management (Customer portals)
- Inventory bonding
- Consolidated shipping options
- Custom bar coding for shipments
- Custom product packing

DESIGNER SUPPORT/SERVICES

Central's applications engineering team is ready to discuss your design challenges. Just ask.

- Free quick ship samples (2nd day air)
- Online technical data and parametric search
- SPICE models
- Custom electrical curves
- Environmental regulation compliance
- Customer specific screening
- Up-screening capabilities
- Special wafer diffusions
- PbSn plating options
- Package details
- Application notes
- Application and design sample kits
- Custom product and package development

REQUESTING PRODUCT PLATING

1. If requesting Tin/Lead plated devices, add the suffix " TIN/LEAD" to the part number when ordering (example: 2N2222A TIN/LEAD).
2. If requesting Lead (Pb) Free plated devices, add the suffix " PBFREE" to the part number when ordering (example: 2N2222A PBFREE).

CONTACT US

Corporate Headquarters & Customer Support Team

Central Semiconductor Corp.
145 Adams Avenue
Hauppauge, NY 11788 USA
Main Tel: (631) 435-1110
Main Fax: (631) 435-1824
Support Team Fax: (631) 435-3388
www.centrasemi.com

Worldwide Field Representatives:
www.centrasemi.com/wwreps

Worldwide Distributors:
www.centrasemi.com/wwdistributors

For the latest version of Central Semiconductor's **LIMITATIONS AND DAMAGES DISCLAIMER**, which is part of Central's Standard Terms and Conditions of sale, visit: www.centrasemi.com/terms

Looking for pricing, stock, or lifecycle information?

Click below to explore more details on WIN SOURCE:

- [⊖ View CBRHDSH2-40 TR13 on WIN SOURCE](#)
- [⊖ Central Semiconductor Corp Information](#)

Optimize Your Supply Chain with WIN SOURCE Solutions

- ✓ Global Sourcing Solution
- ✓ Obsolete Management
- ✓ Cost Control Management
- ✓ Shortage Management
- ✓ Alternative Solution
- ✓ Excess Inventory Management