



THE DATASHEET OF CMUSH2-4S TR



CMUSH2-4
 CMUSH2-4A
 CMUSH2-4C
 CMUSH2-4S

**SURFACE MOUNT SILICON
 SCHOTTKY DIODES**



www.centralemi.com

DESCRIPTION:

The CENTRAL SEMICONDUCTOR CMUSH2-4 series devices are silicon Schottky diodes, epoxy molded in a SOT-523 surface mount package, designed for fast switching applications requiring a low forward voltage drop.



SOT-523 CASE

CMUSH2-4: SINGLE
CMUSH2-4A: DUAL, COMMON ANODE
CMUSH2-4C: DUAL, COMMON CATHODE
CMUSH2-4S: DUAL, IN SERIES

MARKING CODE: C42
MARKING CODE: C4A
MARKING CODE: C4C
MARKING CODE: C4S

MAXIMUM RATINGS: (T _A =25°C)	SYMBOL		UNITS
Peak Repetitive Reverse Voltage	V _{RRM}	40	V
Continuous Forward Current	I _F	200	mA
Peak Repetitive Forward Current	I _{FRM}	300	mA
Peak Forward Surge Current, tp=10ms	I _{FSM}	600	mA
Power Dissipation	P _D	250	mW
Operating and Storage Junction Temperature	T _J , T _{stg}	-65 to +150	°C
Thermal Resistance	θ _{JA}	500	°C/W

ELECTRICAL CHARACTERISTICS PER DIODE: (T_A=25°C unless otherwise noted)

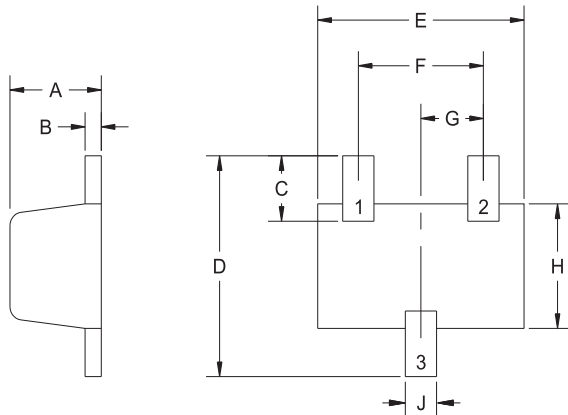
SYMBOL	TEST CONDITIONS	MIN	TYP	MAX	UNITS
I _R	V _R =25V		80	500	nA
I _R	V _R =25V, T _A =100°C		25	100	µA
BV _R	I _R =100µA	40	55		V
V _F	I _F =100µA		240	260	mV
V _F	I _F =500µA		285	310	mV
V _F	I _F =1.0mA		305	330	mV
V _F	I _F =50mA		535	600	mV
V _F	I _F =100mA		670	750	mV
C _J	V _R =1.0V, f=1.0MHz			10	pF
t _{rr}	I _F =I _R =10mA, I _{rr} =1.0mA, R _L =100Ω			5.0	ns

CMUSH2-4
 CMUSH2-4A
 CMUSH2-4C
 CMUSH2-4S

**SURFACE MOUNT SILICON
 SCHOTTKY DIODES**



SOT-523 CASE - MECHANICAL OUTLINE



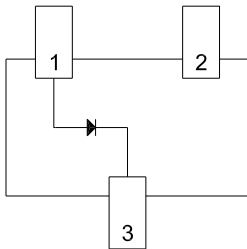
(Bottom View)

R2

SYMBOL	DIMENSIONS			
	INCHES		MILLIMETERS	
	MIN	MAX	MIN	MAX
A	0.023	0.031	0.58	0.78
B	0.002	0.008	0.04	0.20
C	0.013	0.021	0.34	0.54
D	0.059	0.067	1.50	1.70
E	0.059	0.067	1.50	1.70
F	0.035	0.043	0.90	1.10
G	0.020		0.50	
H	0.031	0.039	0.78	0.98
J	0.010	0.014	0.25	0.35

SOT-523 (REV: R2)

PIN CONFIGURATIONS

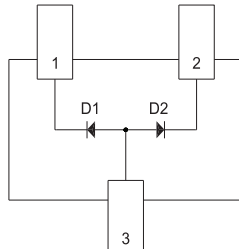


CMUSH2-4

LEAD CODE:

- 1) Anode
- 2) No Connection
- 3) Cathode

MARKING CODE: C42

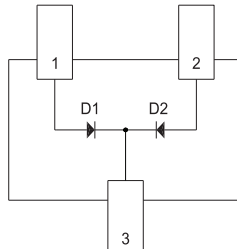


CMUSH2-4A

LEAD CODE:

- 1) Cathode D1
- 2) Cathode D2
- 3) Anode D1, D2

MARKING CODE: C4A

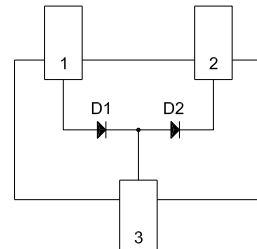


CMUSH2-4C

LEAD CODE:

- 1) Anode D1
- 2) Anode D2
- 3) Cathode D1, D2

MARKING CODE: C4C



CMUSH2-4S

LEAD CODE:

- 1) Anode D1
- 2) Cathode D2
- 3) Anode D2, Cathode D1

MARKING CODE: C4S

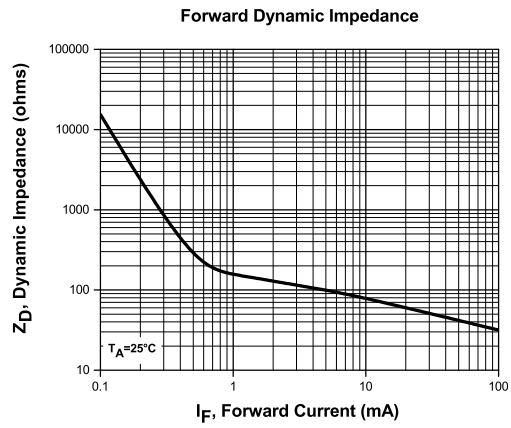
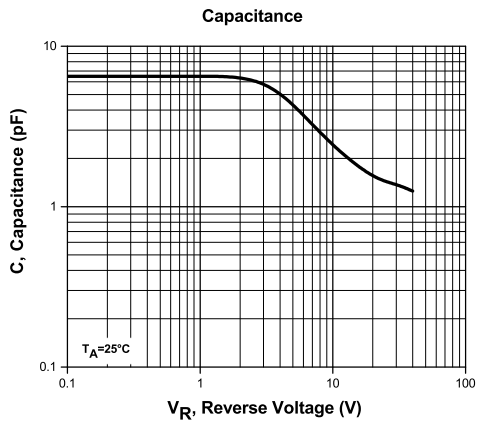
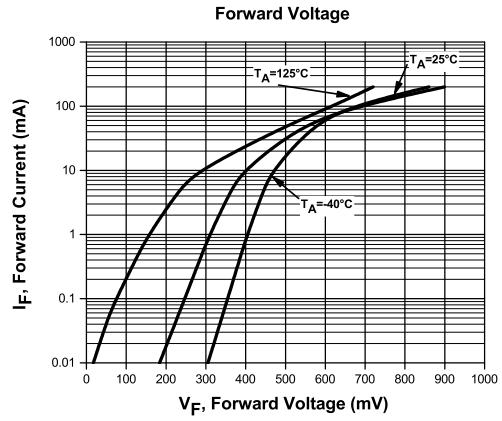
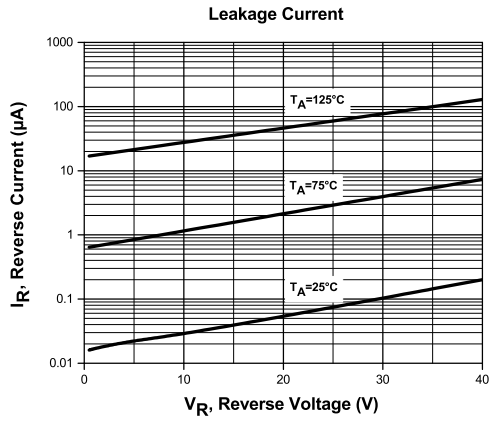
R3 (10-December 2015)

CMUSH2-4
 CMUSH2-4A
 CMUSH2-4C
 CMUSH2-4S



SURFACE MOUNT SILICON
 SCHOTTKY DIODES

TYPICAL ELECTRICAL CHARACTERISTICS



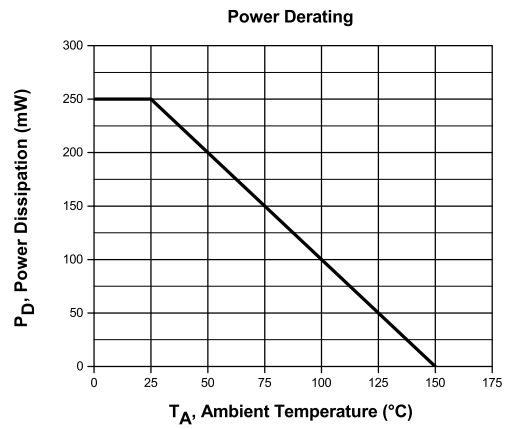
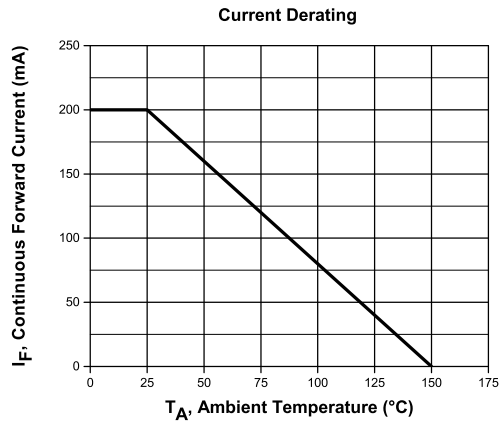
R3 (10-December 2015)

CMUSH2-4
CMUSH2-4A
CMUSH2-4C
CMUSH2-4S

SURFACE MOUNT SILICON
SCHOTTKY DIODES



TYPICAL ELECTRICAL CHARACTERISTICS



R3 (10-December 2015)

OUTSTANDING SUPPORT AND SUPERIOR SERVICES



PRODUCT SUPPORT

Central's operations team provides the highest level of support to insure product is delivered on-time.

- Supply management (Customer portals)
- Inventory bonding
- Consolidated shipping options
- Custom bar coding for shipments
- Custom product packing

DESIGNER SUPPORT/SERVICES

Central's applications engineering team is ready to discuss your design challenges. Just ask.

- Free quick ship samples (2nd day air)
- Online technical data and parametric search
- SPICE models
- Custom electrical curves
- Environmental regulation compliance
- Customer specific screening
- Up-screening capabilities
- Special wafer diffusions
- PbSn plating options
- Package details
- Application notes
- Application and design sample kits
- Custom product and package development

REQUESTING PRODUCT PLATING

1. If requesting Tin/Lead plated devices, add the suffix "TIN/LEAD" to the part number when ordering (example: 2N2222A TIN/LEAD).
2. If requesting Lead (Pb) Free plated devices, add the suffix "PBFREE" to the part number when ordering (example: 2N2222A PBFREE).

CONTACT US

Corporate Headquarters & Customer Support Team

Central Semiconductor Corp.
145 Adams Avenue
Hauppauge, NY 11788 USA
Main Tel: (631) 435-1110
Main Fax: (631) 435-1824
Support Team Fax: (631) 435-3388
www.centrasemi.com

Worldwide Field Representatives:
www.centrasemi.com/wwreps

Worldwide Distributors:
www.centrasemi.com/wwdistributors

For the latest version of Central Semiconductor's **LIMITATIONS AND DAMAGES DISCLAIMER**, which is part of Central's Standard Terms and Conditions of sale, visit: www.centrasemi.com/terms

Looking for pricing, stock, or lifecycle information?

Click below to explore more details on WIN SOURCE:

- [⊖ View CMUSH2-4S TR on WIN SOURCE](#)
- [⊖ Central Semiconductor Corp Information](#)

Optimize Your Supply Chain with WIN SOURCE Solutions

- ✓ Global Sourcing Solution
- ✓ Obsolete Management
- ✓ Cost Control Management
- ✓ Shortage Management
- ✓ Alternative Solution
- ✓ Excess Inventory Management