



2.0×1.2mm for Consumer/ Mobile Equipment



RoHS Compliant

**Features**

- Ultra Small, Low Profile
- Ceramic Package
- Reflow Compatible

**Applications**

- Consumer/ Mobile Equipment

**How to Order**

ST2012SB 32768   H P W    
 ① ② ③ ④ ⑤ ⑥ ⑦

① Series

② Frequency  
32.768kHz

③ Load Capacitance

④ Frequency Tolerance

H5	12.5 pF	Std.
E0	9.0 pF	
C0	7.0 pF	
B0	6.0 pF	
A0	5.0 pF	
Z0	4.0 pF	

H	±20×10 <sup>-6</sup>
---	----------------------

⑤ Operating Temp. Range

⑥ Frequency Temp. Stability

P	-40 to +85°C
---	--------------

W	±200×10 <sup>-6</sup>
---	-----------------------

⑦ Individual Specification

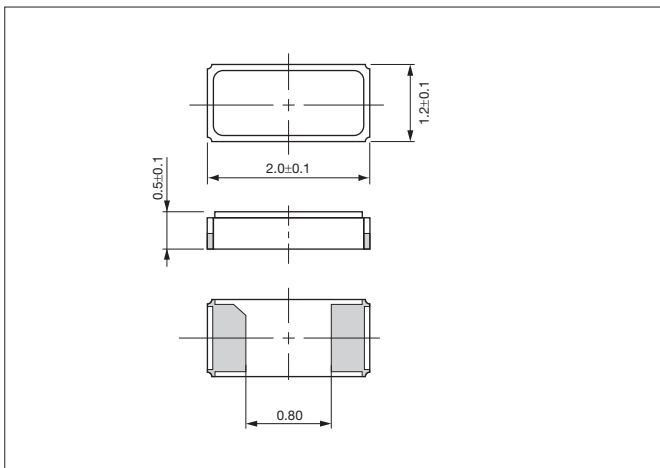
Packaging (Tape & Reel 3000/ 12000 pcs./ reel)

**Specifications**

Item	Symbol	Specification	Units	Remarks
Nominal Frequency	f <sub>nom</sub>	32.768	kHz	
Frequency Tolerance	f <sub>tol</sub>	±20	×10 <sup>-6</sup>	25°C±3°C
Turnover Temperature	T <sub>i</sub>	+25±5	°C	
Parabolic Coefficient	B	-0.04 max.	×10 <sup>-6</sup> /°C <sup>2</sup>	
Motional Resistance	R <sub>1</sub>	80 k max.	ohm	
Motional Capacitance	C <sub>1</sub>	5.8 typ.	ff	
Shunt Capacitance	C <sub>0</sub>	1.3 typ.	pF	
Load Capacitance	CL	4.0/ 5.0/ 6.0/ 7.0/ 9.0/ 12.5	pF	Please contact us for other Load Capacitance.
Drive Level	DL	0.1	μW	0.5 max.
Operating Temp. Range	T <sub>use</sub>	-40 to +85	°C	
Storage Temp. Range	T <sub>stg</sub>	-40 to +85	°C	
Frequency Aging	f <sub>age</sub>	±3	×10 <sup>-6</sup>	

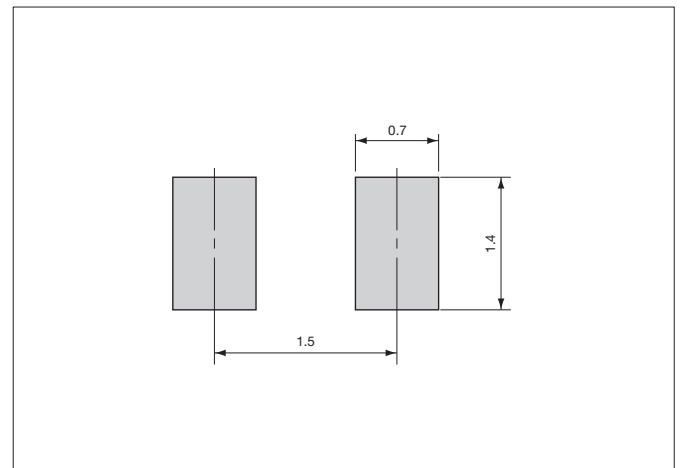
**Dimensions**

(Unit: mm)



**Recommended Land Pattern**

(Unit: mm)



## Looking for pricing, stock, or lifecycle information?

Click below to explore more details on WIN SOURCE:

- ⊖ [View ST2012SB32768E0HPWBB on WIN SOURCE](#)
- ⊖ [AVX Corp/Kyocera Corp Information](#)

## Optimize Your Supply Chain with WIN SOURCE Solutions

- ✓ Global Sourcing Solution
- ✓ Obsolete Management
- ✓ Cost Control Management
- ✓ Shortage Management
- ✓ Alternative Solution
- ✓ Excess Inventory Management