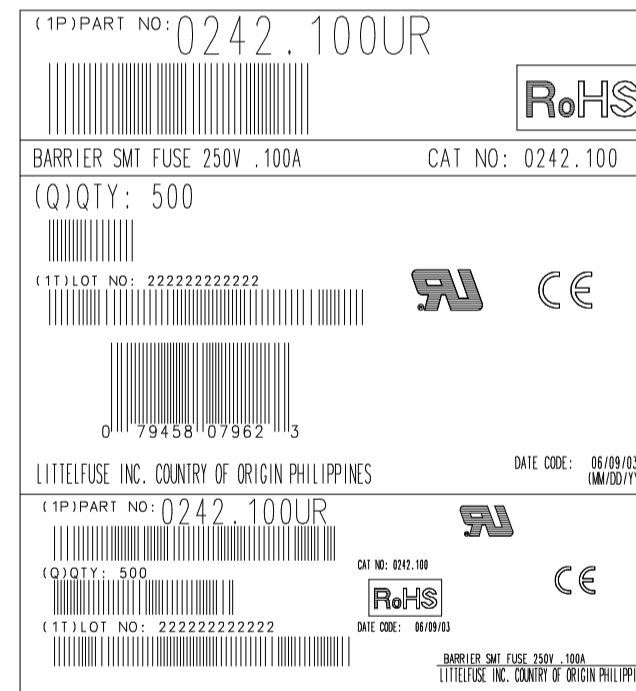
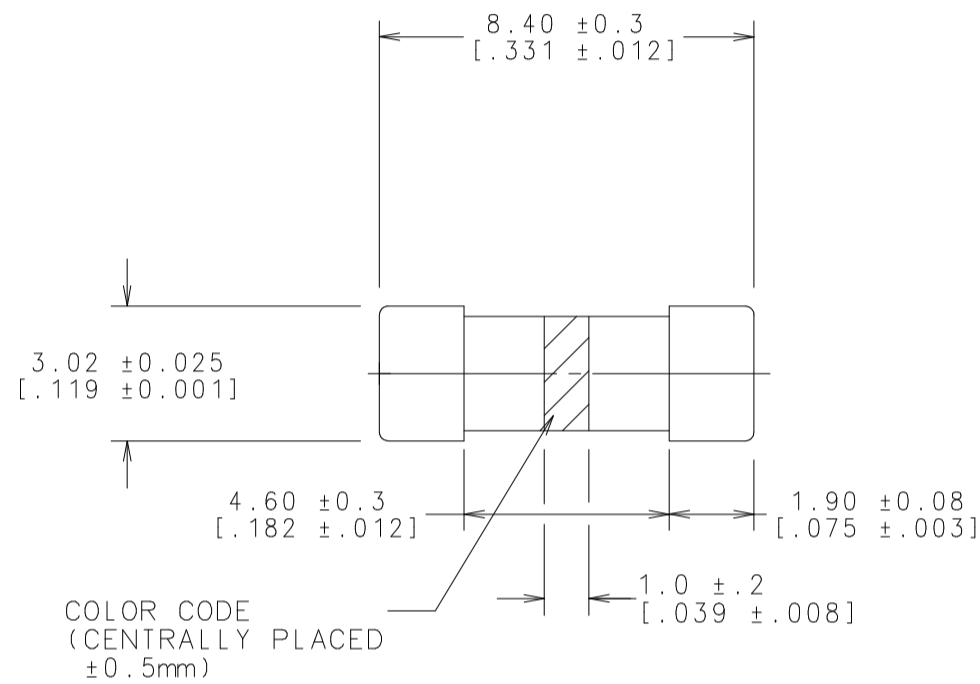




**THE DATASHEET OF  
0242.250UR**



PART NUMBER	AMPERE RATING (mA)	VOLTS	CATALOG NUMBER	DESCRIPTION	UPC CODE	NOMINAL RESISTANCE (OHM) @ 23°C (SEE NOTE 2)	MAX. MILLI-VOLT DROP (mV) (SEE NOTE 3)	COLOR CODE	WIRE	WIRE QTY/M	WIRE U/M	FILLER	INK	INK QTY/M	INK U/M	CAP	CAP QTY/M	CE LOGO	UL RECOGNIZED LOGO	RoHS LOGO	LTR	DATE	REVISION		CHK	APD
0242.050UR	50	250V	0242.050	BARRIER SMT FUSE 250V .050A	079458 07960	9.80-12.88	1450	RED	497572	.0165	G	NONE	425818	.265	FOZ	910-546-010 910-546B-010	1000	YES	YES	YES	M	01/27/05	84188C-ADD RoHS LOGO & CHG CAPS TO 910-276-010	PJM		
0242.080UR	80	250V	0242.080	BARRIER SMT FUSE 250V .080A	079458 07961	7.05-9.33	1350	GREEN	497151	114	FT	091251	425819	.265	FOZ	910-546-010 910-546B-010	1000	YES	YES	YES	N	02/25/05	84202D-CHG 910-276-010 TO 910-534-010, 910-276B-010 TO 910-534B-010 FOR .250A 910-276A-010 TO 910-534A-010	PJM		
0242.100UR	100	250V	0242.100	BARRIER SMT FUSE 250V .100A	079458 07962	3.06-4.14	550	BLUE	497124	90	FT	091250	425820	.265	FOZ	910-546-010 910-546B-010	1000	YES	YES	YES	P	04/07/05	84228D-CHG 910-534-010 TO 910-546-010, 910-534B-010 TO 910-546B-010 FOR .250A 910-534A-010 TO 910-546A-010	PJM		
0242.125UR	125	250V	0242.125	BARRIER SMT FUSE 250V .125A	079458 07963	3.34-4.23	1100	ORANGE	497553	0.084	G	091251	425821	.265	FOZ	910-546-010 910-546B-010	1000	YES	YES	YES	R	11/13/08	000900EC/C-CHG WIRE QTY	RP		
0242.160UR	160	250V	0242.160	BARRIER SMT FUSE 250V .160A	079458 07964	2.55-3.45	1100	PURPLE	497554	0.083	G	091251	425822	7.837	ML	910-546-010 910-546B-010	1000	YES	YES	YES						
0242.200UR	200	250V	0242.200	BARRIER SMT FUSE 250V .200A	079458 07965	2.27-3.08	1100	BROWN	497563	0.102	G	091251	425823	.265	FOZ	910-546-010 910-546B-010	1000	YES	YES	YES						
0242.250UR	250	250V	0242.250	BARRIER SMT FUSE 250V .250A	079458 07966	1.36-1.84	1050	BLACK	497558	0.140	G	091251	425824	.265	FOZ	910-546-010 910-546A-010	1000	YES	YES	YES						
0242.100UR850	100	250V	CUSTOM	BARRIER SMT FUSE 250V .100A	079458 07970	2.59-3.50	391	YELLOW	497222	0.056	G	091250	425825					YES	YES	YES			OBS.			
0242.100UR850S	100	250V	CUSTOM	BARRIER SMT FUSE 250V .100A	079458 08607	2.59-3.50	391	YELLOW	497222	90	FT	091250	425825	.265	FOZ	910-546-010 910-546B-010	1000	YES	YES	YES						



NOTE: LABEL ILLUSTRATION(S) IS FOR REFERENCE ONLY. THE ACTUAL COPY AND REGULATORY MARKINGS WILL VARY BY THE INDIVIDUAL PART NUMBER. SEE CHART.

NOTES:

- DIAGONAL CONSTRUCTION
- FOR BLOW CHARACTERISTICS SEE 0242000 SERIES OR 0242.100UR850 OUTLINE DRAWING.
- MEASURE RESISTANCE AT  $\leq 10\%$  RATED CURRENT.
- MEASURE MILLI-VOLT DROP AT 100% RATED CURRENT.
- FUSES MUST WITHSTAND A 30 NEWTON (6.75 LBS) PULL APPLIED IN LINE WITH THE FUSES.
- FOR TIME-CURRENT CURVES (EXCEPT 0242.100UR850), SEE 242 ELECTRICAL CHARACTERISTICS DRAWING FCC01-242-001.
- PACK FUSES IN CARRIER TAPE AND PRESSURE SEAL WITH CONDUCTIVE COVER TAPE.
- LABEL WITH 914-569 LABEL PRINTED AS SHOWN. PRINTED BY EASYLABEL FORMAT G-101PH1. LABEL IS A SPLIT LABEL CONSTRUCTION. THE SMALLER BOTTOM PORTION IS TO BE APPLIED TO THE REEL FLANGE, OPPOSITE THE SPROCKET HOLES. THE LARGER, TOP PORTION IS TO BE APPLIED TO THE TOP SIDE, LOWER RIGHT HAND CORNER OF THE BOX.

IF A STANDARD MASTER CARTON, AND LABEL IS REFERENCED THEY SHOULD BE USED. FOR THOSE ITEMS WHERE NO STANDARD OVERPACK HAS BEEN SPECIFIED, PARTS SHOULD BE OVERPACKED IN A SUITABLE SHIPPING CONTAINER, TOTE, OR PALLET FOR TRANSPORT TO STOCK. THE OVERPACK UNIT SHOULD BE LABELED WITH 914-796 LABEL PRINTED TO LS-000003. UPC CODES OR UPC CASE CODES MUST NOT BE USED FOR THESE "NON-STANDARD" OVERPACKS.

NO	COMPONENT NO	DESCRIPTION	QTY/M	U/M
10	914-569	LABEL	4	EAD
9	896-489	SURFACE MOUNT REEL	2	EA
8	896-498	BOX	2	EA
7	088342	CONDUCTIVE COVER TAPE	9.143	M
6	088341	CARRIER	9.143	M
5	SEE CHART	INK	SEE CHART	SEE CHART
4	SEE CHART	FILLER	20	G
3	SEE CHART	WIRE	SEE CHART	SEE CHART
2	909-537	BODY CERAMIC STEATITE	1000	EA
1	SEE CHART	CAP	SEE CHART	EA

**BILL OF MATERIAL**

UNLESS OTHERWISE SPECIFIED, DIMENSIONS DO NOT INCLUDE PLATING.

O	DENOTES CRITICAL CHARACTERISTICS.
CPK	DENOTES CPK DIMENSIONS, -MINIMUM CPK VALUE
(ST)	DENOTES A CHARACTERISTIC THAT PROVIDES AN INDICATION OF PROCESS PERFORMANCE. PROCEDURE FOR MEASUREMENT AND TRACKING TO BE DEFINED IN LITTELFUSE INSPECTION INSTRUCTIONS.
CP	DENOTES CP DIMENSIONS, -MINIMUM CP VALUE MUST BE WITHIN THE DIMENSIONAL LIMITATIONS SHOWN ON DRAWING AND INITIALLY LOCATED TO ALLOW FOR MAXIMUM TOOL LIFE.

COPIES TO	MATL SPEC
1 9 18	FINISH
2 10 19	
3 12 20	
4 13 21	DRW PJM DATE 06/09/03 SCALE 6:1
5 14 23	CHK DATE SUPER DR
6 15 33	APPD DATE FINISH GOOD WT
7 16 43	
8 17 53	GRAMS/PIECE

TOLERANCE UNLESS OTHERWISE SPECIFIED  
TWO PLACE DEC  $\pm .25$  [ .01 ] FRACTION  $\pm$   
THREE PLACE DEC  $\pm .100$  [ .005 ] ANGULAR  $\pm 1^\circ$

3RD ANGLE PROJECTION

TITLE: BARRIER FUSE SURFACE MOUNT

**METRIC**

UNLESS OTHERWISE SPECIFIED ALL DIMENSIONS ARE MILLIMETERS

**Littelfuse**  
DES PLAINES, ILLINOIS 60016

REVISION	DRWG. NO.	FINAL
R	0242000.UR	SERIES

UNDO NOT REPRODUCED - NO PENCIL CHANGES ALLOWED  
CAD GENERATED DRAWING - NO PENCIL CHANGES ALLOWED

## Looking for pricing, stock, or lifecycle information?

Click below to explore more details on WIN SOURCE:

 [View 0242.250UR on WIN SOURCE](#)

 [Littelfuse Inc. Information](#)

## Optimize Your Supply Chain with WIN SOURCE Solutions

-  Global Sourcing Solution
-  Obsolete Management
-  Cost Control Management
-  Shortage Management
-  Alternative Solution
-  Excess Inventory Management