



**THE DATASHEET OF  
OSTET190250**



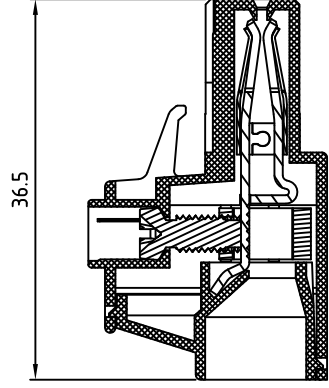
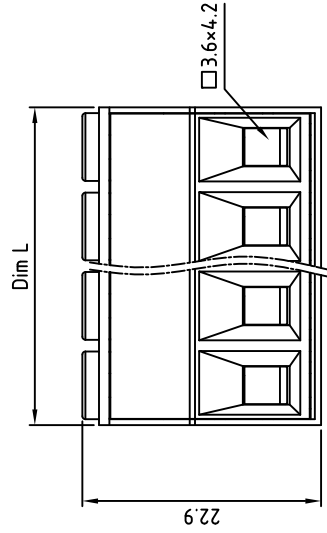
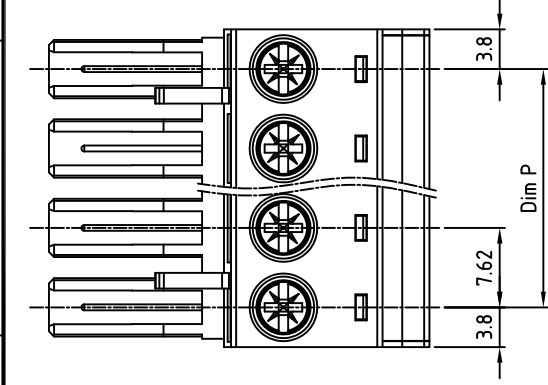
1

2

3

4

5



**Material:**

- Insulator(housing): Thermop
- Terminal Body: Brass
- Contact: PhBz.
- Wire guard: Stainless steel
- Terminal Screw: Steel zinc

**Electrical:**

- Voltage rating: 3
- Current rating: 3
- Wire range: 8-
- Solid wire(AWG): 8-
- Stranded wire(AWG): 7
- Torque: M
- Screw: 7
- Wire strip length: 2
- Withstanding Voltage: -
- Operating temperature: -
- Safety Approval: c

RoHS Compliant

PART NUMBER:

OSTETXX01

- No. of Poles
- 02 2 Pole
- 03 3 Pole
- ... ..
- 16 16 Pole

POLE	2	3	4	5	6	7	8
Dim L	15.24	22.86	30.48	38.10	45.72	53.34	60.96
Dim P	7.62	15.24	22.86	30.48	38.10	45.72	53.34
Tol.	±0.10						
POLE	9	10	11	12	13	14	15
Dim L	68.58	76.20	83.82	91.44	99.06	106.68	114.30
Dim P	60.96	68.58	76.20	83.82	91.44	99.06	106.68
Tol.	±0.20						

TITLE	OSTET-7.62 Series (Mated with OSTV	
PART NO.	OSTETXX0250	
APPROVED	CHECKED	DESIGNED
		Tony
		2007.03.09
		2007.03.09



ON-SHORT

1

2


3

4

5

## Looking for pricing, stock, or lifecycle information?

Click below to explore more details on WIN SOURCE:

-  [View OSTET190250 on WIN SOURCE](#)
-  [On Shore Technology Inc. Information](#)

## Optimize Your Supply Chain with WIN SOURCE Solutions

-  Global Sourcing Solution
-  Obsolete Management
-  Cost Control Management
-  Shortage Management
-  Alternative Solution
-  Excess Inventory Management