



**THE DATASHEET OF  
CY22395FXCT**





# Three-PLL, Serial-Programmable, Flash-Programmable Clock Generator

## Features

- Three integrated phase-locked loops (PLLs)
- Ultra wide divide counters (8-bit Q, 11-bit P, and 7-bit post divide)
- Improved linear crystal load capacitors
- Flash programmability with external programmer
- Field-programmable
- Low jitter, high accuracy outputs
- Power management options (Shutdown, OE, Suspend)
- Configurable crystal drive strength
- Frequency select through three external LVTTTL inputs
- 3.3 V operation
- 16-pin TSSOP package
- CyClocksRT™ software support

## Advanced Features

- Two-wire serial interface for in-system configurability
- Configurable output buffer
- Digital VCXO
- High frequency LVPECL output (CY22394 only)
- 3.3/2.5 V outputs (CY22395 only)
- NiPdAu lead finish (CY223931)

## Functional Description

The CY22393, CY22394, and CY22395 are a family of parts designed as upgrades to the existing CY22392 device. These parts have similar performance to the CY22392, but provide advanced features to meet the needs of more demanding applications.

The clock family has three PLLs which, when combined with the reference, allow up to four independent frequencies to be output on up to six pins. These three PLLs are completely programmable.

The CY223931 is the CY22393 with NiPdAu lead finish.

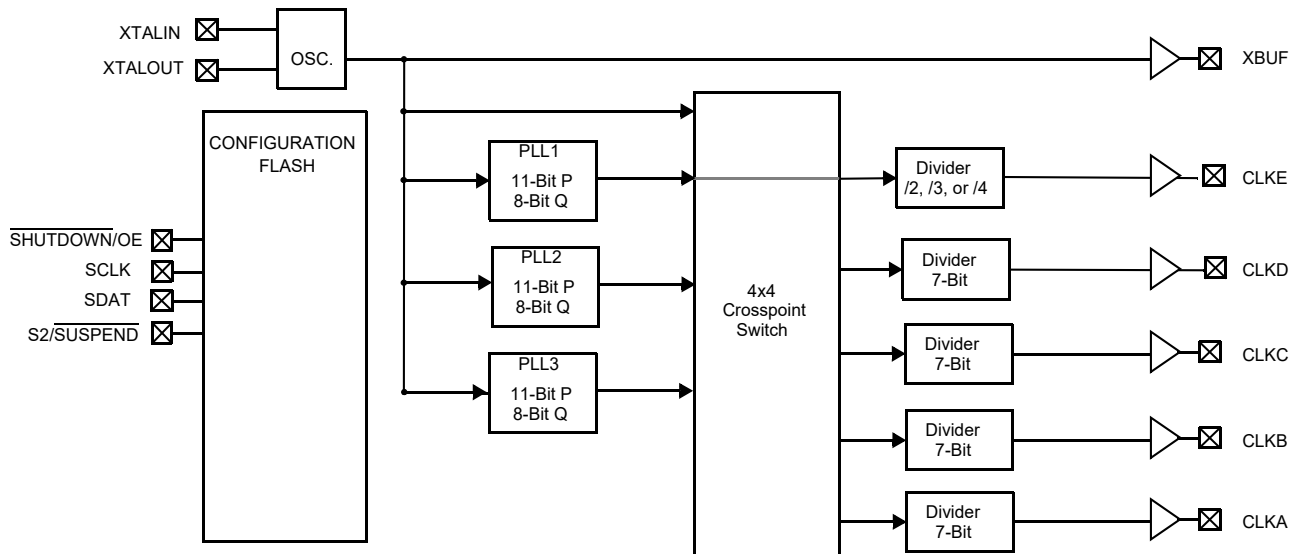
For a complete list of related documentation, click [here](#).

## Selection Guide

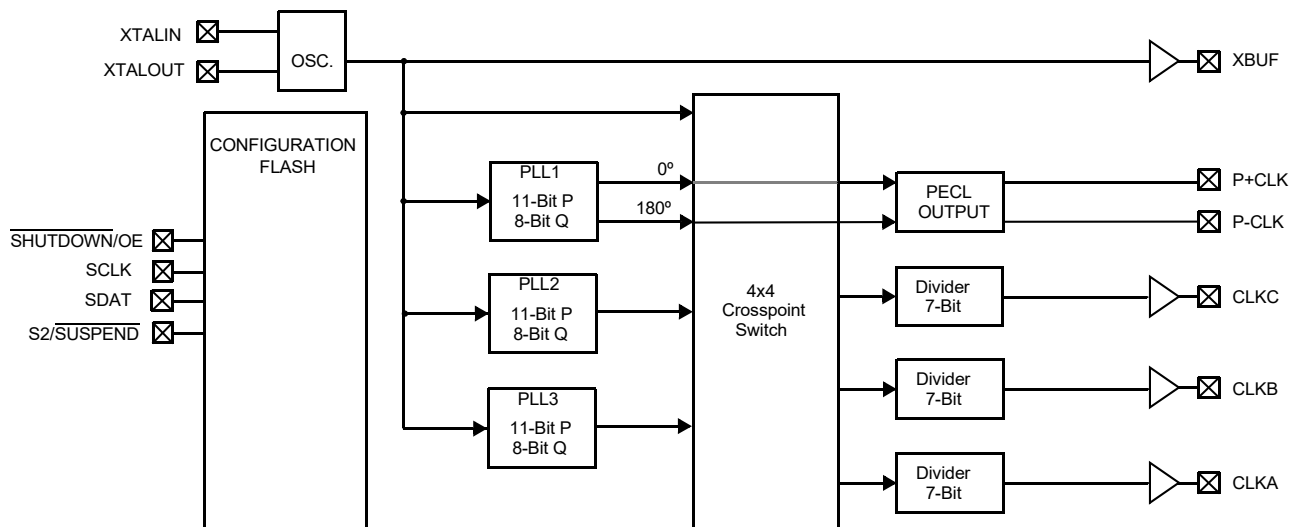
| Part Number | Outputs             | Input Frequency Range                                              | Output Frequency Range                         | Specifics              |
|-------------|---------------------|--------------------------------------------------------------------|------------------------------------------------|------------------------|
| CY22393_C   | 6 CMOS              | 8 MHz–30 MHz (external crystal)<br>1 MHz–166 MHz (reference clock) | Up to 200 MHz                                  | Commercial temperature |
| CY22393_I   | 6 CMOS              | 8 MHz–30 MHz (external crystal)<br>1 MHz–166 MHz (reference clock) | Up to 166 MHz                                  | Industrial temperature |
| CY223931_I  | 6 CMOS              | 8 MHz–30 MHz (external crystal)<br>1 MHz–166 MHz (reference clock) | Up to 166 MHz                                  | Industrial temperature |
| CY22394_C   | 1 PECL/<br>4 CMOS   | 8 MHz–30 MHz (external crystal)<br>1 MHz–166 MHz (reference clock) | 100 MHz–400 MHz (PECL)<br>Up to 200 MHz (CMOS) | Commercial temperature |
| CY22394_I   | 1 PECL/<br>4 CMOS   | 8 MHz–30 MHz (external crystal)<br>1 MHz–150 MHz (reference clock) | 125 MHz–375 MHz (PECL)<br>Up to 166 MHz (CMOS) | Industrial temperature |
| CY22395_C   | 4 LVCMOS/ 1<br>CMOS | 8 MHz–30 MHz (external crystal)<br>1 MHz–166 MHz (reference clock) | Up to 200 MHz (3.3 V)<br>Up to 133 MHz (2.5 V) | Commercial temperature |
| CY22395_I   | 4 LVCMOS/ 1<br>CMOS | 8 MHz–30 MHz (external crystal)<br>1 MHz–150 MHz (reference clock) | Up to 166 MHz (3.3 V)<br>Up to 133 MHz (2.5 V) | Industrial temperature |



## Logic Block Diagram – CY22393 and CY223931

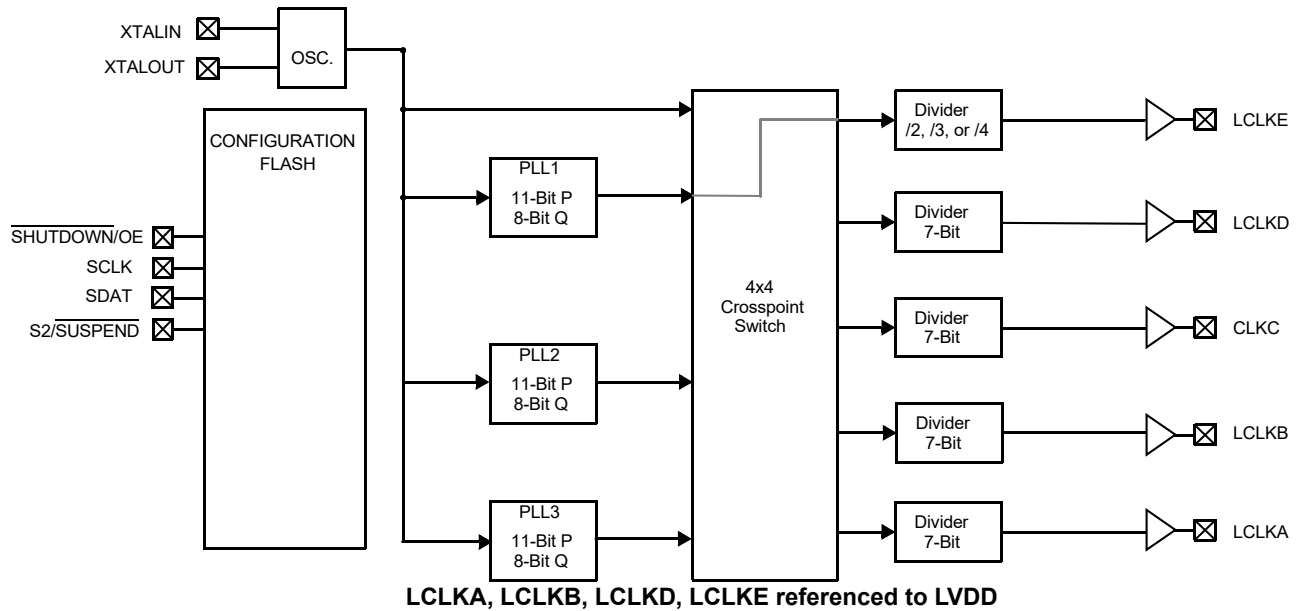


## Logic Block Diagram – CY22394





## Logic Block Diagram – CY22395





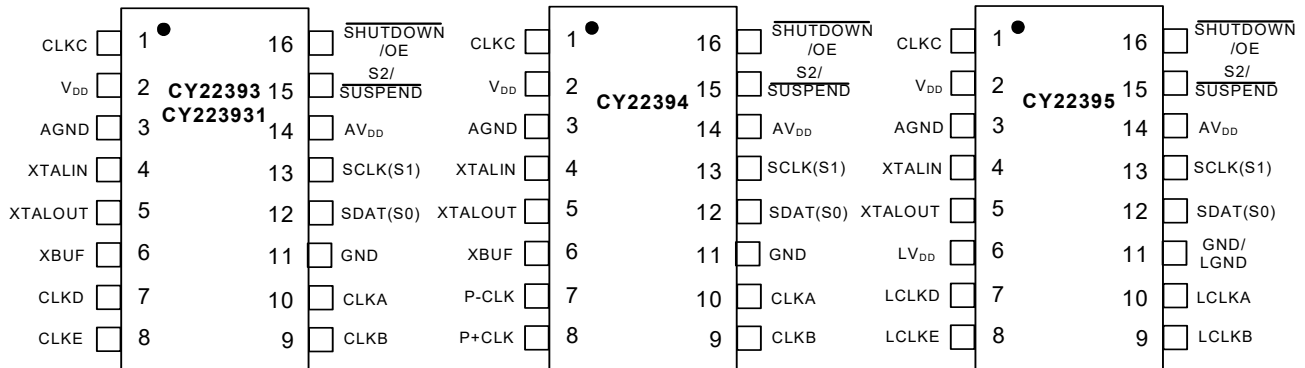
## Contents

|                                                          |           |                                                      |           |
|----------------------------------------------------------|-----------|------------------------------------------------------|-----------|
| <b>Pinouts</b> .....                                     | <b>5</b>  | Data Frame .....                                     | 12        |
| <b>Pin Definitions</b> .....                             | <b>5</b>  | Acknowledge Pulse .....                              | 12        |
| <b>Functional Overview</b> .....                         | <b>6</b>  | <b>Write Operations</b> .....                        | <b>13</b> |
| Configurable PLLs .....                                  | 6         | Writing Individual Bytes .....                       | 13        |
| General Purpose Inputs .....                             | 6         | Writing Multiple Bytes .....                         | 13        |
| Crystal Input .....                                      | 6         | <b>Read Operations</b> .....                         | <b>13</b> |
| Crystal Drive Level and Power .....                      | 6         | Current Address Read .....                           | 13        |
| Digital VCXO .....                                       | 6         | Random Read .....                                    | 13        |
| Output Configuration .....                               | 6         | Sequential Read .....                                | 13        |
| Power-Saving Features .....                              | 7         | <b>Serial Programming Interface Timing</b> .....     | <b>14</b> |
| Improving Jitter .....                                   | 7         | <b>Serial Programming Interface</b>                  |           |
| Power Supply Sequencing .....                            | 7         | <b>Timing Specifications</b> .....                   | <b>14</b> |
| <b>CyClocksRT Software</b> .....                         | <b>7</b>  | <b>Absolute Maximum Conditions</b> .....             | <b>15</b> |
| Junction Temperature Limitations .....                   | 7         | <b>Operating Conditions</b> .....                    | <b>15</b> |
| Dynamic Updates .....                                    | 7         | <b>Recommended Crystal Specifications</b> .....      | <b>15</b> |
| <b>Memory Bitmap Definitions</b> .....                   | <b>8</b>  | <b>3.3 V Electrical Characteristics</b> .....        | <b>16</b> |
| CIk{A–D}_Div[6:0] .....                                  | 8         | <b>2.5 V Electrical Characteristics</b> .....        | <b>16</b> |
| CIkE_Div[1:0] .....                                      | 8         | <b>Thermal Resistance</b> .....                      | <b>16</b> |
| CIk*_FS[2:0] .....                                       | 8         | <b>3.3 V Switching Characteristics</b> .....         | <b>17</b> |
| Xbuf_OE .....                                            | 8         | <b>2.5 V Switching Characteristics</b> .....         | <b>17</b> |
| PdnEn .....                                              | 8         | <b>Switching Waveforms</b> .....                     | <b>18</b> |
| CIk*_ACAdj[1:0] .....                                    | 8         | <b>Test Circuit</b> .....                            | <b>19</b> |
| CIk*_DCAdj[1:0] .....                                    | 8         | <b>Ordering Information</b> .....                    | <b>20</b> |
| PLL*_Q[7:0] .....                                        | 8         | Possible Configurations .....                        | 20        |
| PLL*_P[9:0] .....                                        | 8         | Ordering Code Definitions .....                      | 21        |
| PLL*_P .....                                             | 8         | <b>Package Diagram</b> .....                         | <b>22</b> |
| PLL*_LF[2:0] .....                                       | 9         | <b>Acronyms</b> .....                                | <b>23</b> |
| PLL*_En .....                                            | 9         | <b>Document Conventions</b> .....                    | <b>23</b> |
| DivSel .....                                             | 9         | Units of Measure .....                               | 23        |
| OscCap[5:0] .....                                        | 9         | <b>Document History Page</b> .....                   | <b>24</b> |
| OscDrv[1:0] .....                                        | 9         | <b>Sales, Solutions, and Legal Information</b> ..... | <b>26</b> |
| Reserved .....                                           | 9         | Worldwide Sales and Design Support .....             | 26        |
| <b>Serial Programming Bitmaps — Summary Tables</b> ..... | <b>10</b> | Products .....                                       | 26        |
| <b>Serial Bus Programming Protocol and Timing</b> .....  | <b>11</b> | PSoC® Solutions .....                                | 26        |
| Default Startup Condition                                |           | Cypress Developer Community .....                    | 26        |
| for the CY22393/931/94/95 .....                          | 11        | Technical Support .....                              | 26        |
| Device Address .....                                     | 11        |                                                      |           |
| Data Valid .....                                         | 12        |                                                      |           |



## Pinouts

Figure 1. 16-pin TSSOP pinout (for CY22393/CY223931/CY22394/CY22395)



## Pin Definitions

| Name             | Pin Number<br>CY22393<br>CY223931 | Pin Number<br>CY22394 | Pin Number<br>CY22395 | Description                                                                                                                                                   |
|------------------|-----------------------------------|-----------------------|-----------------------|---------------------------------------------------------------------------------------------------------------------------------------------------------------|
| CLKC             | 1                                 | 1                     | 1                     | Configurable clock output C                                                                                                                                   |
| V <sub>DD</sub>  | 2                                 | 2                     | 2                     | Power supply                                                                                                                                                  |
| AGND             | 3                                 | 3                     | 3                     | Analog Ground                                                                                                                                                 |
| XTALIN           | 4                                 | 4                     | 4                     | Reference crystal input or external reference clock input                                                                                                     |
| XTALOUT          | 5                                 | 5                     | 5                     | Reference crystal feedback                                                                                                                                    |
| XBUF             | 6                                 | 6                     | N/A                   | Buffered reference clock output                                                                                                                               |
| LV <sub>DD</sub> | N/A                               | N/A                   | 6                     | Low voltage clock output power supply                                                                                                                         |
| CLKD or LCLKD    | 7                                 | N/A                   | 7                     | Configurable clock output D; LCLKD referenced to LVDD                                                                                                         |
| P- CLK           | N/A                               | 7                     | N/A                   | LV PECL output <sup>[1]</sup>                                                                                                                                 |
| CLKE or LCLKE    | 8                                 | N/A                   | 8                     | Configurable clock output E; LCLKE referenced to LVDD                                                                                                         |
| P+ CLK           | N/A                               | 8                     | N/A                   | LV PECL output <sup>[1]</sup>                                                                                                                                 |
| CLKB or LCLKB    | 9                                 | 9                     | 9                     | Configurable clock output B; LCLKB referenced to LVDD                                                                                                         |
| CLKA or LCLKA    | 10                                | 10                    | 10                    | Configurable clock output A; LCLKA referenced to LVDD                                                                                                         |
| GND/LGND         | 11                                | 11                    | 11                    | Ground                                                                                                                                                        |
| SDAT (S0)        | 12                                | 12                    | 12                    | Serial port data. S0 value latched during start up                                                                                                            |
| SCLK (S1)        | 13                                | 13                    | 13                    | Serial port clock. S1 value latched during start up                                                                                                           |
| AV <sub>DD</sub> | 14                                | 14                    | 14                    | Analog power supply                                                                                                                                           |
| S2/<br>SUSPEND   | 15                                | 15                    | 15                    | General purpose input for frequency control; bit 2. Optionally, Suspend mode control input                                                                    |
| SHUTDOWN/<br>OE  | 16                                | 16                    | 16                    | Places outputs in tristate condition and shuts down chip when LOW. Optionally, only places outputs in tristate condition and does not shut down chip when LOW |

### Note

1. LVPECL outputs require an external termination network.



## Functional Overview

### Configurable PLLs

PLL1 generates a frequency that is equal to the reference divided by an 8-bit divider (Q) and multiplied by an 11-bit divider in the PLL feedback loop (P). The output of PLL1 is sent to two locations: the cross point switch and the PECL output (CY22394). The output of PLL1 is also sent to a /2, /3, or /4 synchronous post-divider that is output through CLKE. The frequency of PLL1 can be changed using serial programming or by external CMOS inputs, S0, S1, and S2. See the following section on [General Purpose Inputs](#) for more detail.

PLL2 generates a frequency that is equal to the reference divided by an 8-bit divider (Q) and multiplied by an 11-bit divider in the PLL feedback loop (P). The output of PLL2 is sent to the cross point switch. The frequency of PLL2 is changed using serial programming.

PLL3 generates a frequency that is equal to the reference divided by an 8-bit divider (Q) and multiplied by an 11-bit divider in the PLL feedback loop (P). The output of PLL3 is sent to the cross point switch. The frequency of PLL3 is changed using serial programming.

### General Purpose Inputs

S2 is a general purpose input that is programmed to allow for two different frequency settings. Options that switches with this general purpose input are as follows: the frequency of PLL1, the output divider of CLKB, and the output divider of CLKA.

The two frequency settings are contained within an eight-row frequency table. The values of SCLK (S1) and SDAT (S0) pins are latched during start up and used as the other two indexes into this array.

CLKA and CLKB have seven-bit dividers that point to one of the two programmable settings (register 0 and register 1). Both clocks share a single register control and both must be set to register 0, or both must be set to register 1.

For example, the part may be programmed to use S0, S1, and S2 (0,0,0 to 1,1,1) to control eight different values of P and Q on PLL1. For each PLL1 P and Q setting, one of the two CLKA and CLKB divider registers can be chosen. Any divider change as a result of switching S2 is guaranteed to be glitch free.

### Crystal Input

The input crystal oscillator is an important feature of this family of parts because of its flexibility and performance features.

The oscillator inverter has programmable drive strength. This allows for maximum compatibility with crystals from various manufacturers. Parallel resonant, fundamental mode crystals should be used.

The input load capacitors are placed on-die to reduce external component cost. These capacitors are true parallel-plate capacitors for ultra-linear performance. These were chosen to reduce the frequency shift that occurs when nonlinear load capacitance interacts with load, bias, supply, and temperature changes. Nonlinear (FET gate) crystal load capacitors must not be used for MPEG, communications, or other applications that are sensitive to absolute frequency requirements.

The value of the load capacitors is determined by six bits in a programmable register. The load capacitance can be set with a resolution of 0.375 pF for a total crystal load range of 6 pF to 30 pF. Typical crystals have a  $C_L$  specification in the range of 12 pF to 18 pF.

For driven clock inputs, the input load capacitors can be completely bypassed. This allows the clock chip to accept driven frequency inputs up to 166 MHz. If the application requires a driven input, leave XTALOUT floating.

### Crystal Drive Level and Power

Crystals are specified to accept a maximum drive level. Generally, larger crystals can accept more power. For a given voltage swing, power dissipation in the crystal is proportional to ESR and proportional to the square of the crystal frequency. (Note that actual ESR is sometimes much less than the value specified by the crystal manufacturer.) Power is also almost proportional to the square of  $C_L$ .

Power can be reduced to less than the DL specification in the table below by selecting a reduced frequency crystal with low  $C_L$  and low  $R_1$  (ESR).

### Digital VCXO

The serial programming interface is used to dynamically change the capacitor load value on the crystal. A change in crystal load capacitance corresponds with a change in the reference frequency.

For special pullable crystals specified by Cypress, the capacitance pull range is +150 ppm to -150 ppm from midrange.

Be aware that adjusting the frequency of the reference affects all frequencies on all PLLs in a similar manner since all frequencies are derived from the single reference.

### Output Configuration

Under normal operation there are four internal frequency sources that are routed through a programmable cross point switch to any of the four programmable 7-bit output dividers. The four sources are: reference, PLL1, PLL2, and PLL3. The following is a description of each output.

CLKA's output originates from the cross point switch and goes through a programmable 7-bit post divider. The 7-bit post divider derives its value from one of the two programmable registers. See the section on [General Purpose Inputs](#) for more information.

CLKB's output originates from the cross point switch and goes through a programmable 7-bit post divider. The 7-bit post divider derives its value from one of the two programmable registers. See the section on [General Purpose Inputs](#) for more information.

CLKC's output originates from the cross point switch and goes through a programmable 7-bit post divider. The 7-bit post divider derives its value from one programmable register.

CLKD's output originates from the cross point switch and goes through a programmable 7-bit post divider. The 7-bit post divider derives its value from one programmable register. For the CY22394, CLKD is brought out as the complimentary version of a LV PECL Clock referenced to CLKE, bypassing both the cross point switch and 7-bit post divider.

CLKE's output originates from PLL1 and goes through a post divider that may be programmed to /2, /3, or /4. For the CY22394,



CLKE is brought out as a low voltage PECL Clock, bypassing the post divider.

XBUF is the buffered reference.

The Clock outputs have been designed to drive a single point load with a total lumped load capacitance of 15 pF. While driving multiple loads is possible with the proper termination it is generally not recommended.

### Power-Saving Features

The SHUTDOWN/OE input tristates the outputs when pulled LOW. If system shutdown is enabled, a LOW on this pin also shuts off the PLLs, counters, reference oscillator, and all other active components. The resulting current on the  $V_{DD}$  pins is less than 5 mA (typical). Relock the PLLs after leaving shutdown mode.

The S2/SUSPEND input is configured to shut down a customizable set of outputs and/or PLLs, when LOW. All PLLs and any of the outputs are shut off in nearly any combination. The only limitation is that if a PLL is shut off, all outputs derived from it must also be shut off. Suspending a PLL shuts off all associated logic, while suspending an output simply forces a tristate condition.

With the serial interface, each PLL and/or output is individually disabled. This provides total control over the power savings.

### Improving Jitter

Jitter Optimization Control is useful for mitigating problems related to similar clocks switching at the same moment, causing excess jitter. If one PLL is driving more than one output, the negative phase of the PLL can be selected for one of the outputs (CLKA–CLKD). This prevents the output edges from aligning, allowing superior jitter performance.

### Power Supply Sequencing

For parts with multiple  $V_{DD}$  pins, there are no power supply sequencing requirements. The part is not fully operational until all  $V_{DD}$  pins have been brought up to the voltages specified in the [Operating Conditions Table](#) on page 15.

All grounds must be connected to the same ground plane.

## CyClocksRT Software

CyClocksRT is our second generation software application that allows users to configure this family of devices. The easy-to-use interface offers complete control of the many features of this family including, but not limited to, input frequency, PLL and output frequencies, and different functional options. It checks data sheet frequency range limitations and automatically applies performance tuning. CyClocksRT also has a power estimation feature that allows the user to see the power consumption of a specific configuration. You can download a free copy of CyberClocks that includes CyClocksRT for free on Cypress's web site at [www.cypress.com](http://www.cypress.com).

CyClocksRT is used to generate P, Q, and divider values used in serial programming. There are many internal frequency rules that are not documented in this data sheet, but are required for proper operation of the device. Check these rules by using the latest version of CyClocksRT.

### Junction Temperature Limitations

It is possible to program this family such that the maximum Junction Temperature rating is exceeded. The package  $\theta_{JA}$  is 115 °C/W. Use the CyClocksRT power estimation feature to verify that the programmed configuration meets the Junction Temperature and Package Power Dissipation maximum ratings.

### Dynamic Updates

The output divider registers are not synchronized with the output clocks. Changing the divider value of an active output is likely cause a glitch on that output.

PLL P and Q data is spread between three bytes. Each byte becomes active on the acknowledge for that byte, so changing P and Q data for an active PLL is likely cause the PLL to try to lock on an out-of-bounds condition. For this reason, turn off the PLL being programmed during the update. Do this by setting the  $PLL*_En$  bit LOW.

PLL1, CLKA, and CLKB each have multiple registers supplying data. To program these resources safely, always program an inactive register, and then transition to that register. This allows these resources to stay active during programming.

The serial interface is active even with the SHUTDOWN/OE pin LOW as the serial interface logic uses static components and is completely self timed. The part does not meet the  $I_{DD5}$  current limit with transitioning inputs.



## Memory Bitmap Definitions

### Clk{A–D}\_Div[6:0]

Each of the four main output clocks (CLKA–CLKD) features a 7-bit linear output divider. Any divider setting between 1 and 127 may be used by programming the value of the desired divider into this register. Odd divide values are automatically duty cycle corrected. Setting a divide value of zero powers down the divider and forces the output to a tristate condition.

CLKA and CLKB have two divider registers, selected by the DivSel bit (which in turn is selected by S2, S1, and S0). This allows the output divider value to change dynamically. For the CY22394 device, ClkD\_Div = 000001.

### ClkE\_Div[1:0]

CLKE has a simpler divider (see Table 1). For the CY22394, set ClkE\_Div = 01.

**Table 1. ClkE Divider**

| ClkE_Div[1:0] | ClkE Output     |
|---------------|-----------------|
| 00            | Off             |
| 01            | PLL1 0° Phase/4 |
| 10            | PLL1 0° Phase/2 |
| 11            | PLL1 0° Phase/3 |

### Clk\*\_FS[2:0]

Each of the four main output clocks (CLKA–CLKD) has a three-bit code that determines the clock sources for the output divider. The available clock sources are: Reference, PLL1, PLL2, and PLL3. Each PLL provides both positive and negative phased outputs, for a total of seven clock sources (see Table 2). Note that the phase is a relative measure of the PLL output phases. No absolute phase relation exists at the outputs.

**Table 2. Clock Source**

| Clk*_FS[2:0] | Clock Source    |
|--------------|-----------------|
| 000          | Reference Clock |
| 001          | Reserved        |
| 010          | PLL1 0° Phase   |
| 011          | PLL1 180° Phase |
| 100          | PLL2 0° Phase   |
| 101          | PLL2 180° Phase |
| 110          | PLL3 0° Phase   |
| 111          | PLL3 180° Phase |

### Xbuf\_OE

This bit enables the XBUF output when HIGH. For the CY22395, Xbuf\_OE = 0.

### PdnEn

This bit selects the function of the SHUTDOWN/OE pin. When this bit is HIGH, the pin is an active LOW shutdown control. When this bit is LOW, this pin is an active HIGH output enable control.

### Clk\*\_ACAdj[1:0]

These bits modify the output predrivers, changing the duty cycle through the pads. These are nominally set to 01, with a higher value shifting the duty cycle higher. The performance of the nominal setting is guaranteed.

### Clk\*\_DCAdj[1:0]

These bits modify the DC drive of the outputs. The performance of the nominal setting is guaranteed.

**Table 3. Output Drive Strength**

| Clk*_DCAdj[1:0] | Output Drive Strength |
|-----------------|-----------------------|
| 00              | –30% of nominal       |
| 01              | Nominal               |
| 10              | +15% of nominal       |
| 11              | +50% of nominal       |

### PLL\*\_Q[7:0]

### PLL\*\_P[9:0]

### PLL\*\_P

These are the 8-bit Q value and 11-bit P values that determine the PLL frequency. The formula is:

$$F_{PLL} = F_{REF} \times \left( \frac{P_T}{Q_T} \right)$$

$$P_T = (2 \times (P + 3)) + PO$$

$$Q_T = Q + 2$$

Equation 1

**PLL\*\_LF[2:0]**

These bits adjust the loop filter to optimize the stability of the PLL. [Table 4](#) can be used to guarantee stability. However, CyClocksRT uses a more complicated algorithm to set the loop filter for enhanced jitter performance. Use the Print Preview function in CyClocksRT to determine the charge pump settings for optimal jitter performance.

**Table 4. Loop Filter Settings**

| PLL*_LF[2:0] | P <sub>T</sub> Min | P <sub>T</sub> Max |
|--------------|--------------------|--------------------|
| 000          | 16                 | 231                |
| 001          | 232                | 626                |
| 010          | 627                | 834                |
| 011          | 835                | 1043               |
| 100          | 1044               | 1600               |

**PLL\*\_En**

This bit enables the PLL when HIGH. If PLL2 or PLL3 are not enabled, then any output selecting the disabled PLL must have a divider setting of zero (off). Since the PLL1\_En bit is dynamic, internal logic automatically turns off dependent outputs when PLL1\_En goes LOW.

**DivSel**

This bit controls which register is used for the CLKA and CLKB dividers.

**OscCap[5:0]**

This controls the internal capacitive load of the oscillator. The approximate effective crystal load capacitance is:

$$C_{LOAD} = 6\text{pF} + (\text{OscCap} \times 0.375\text{pF}) \quad \text{Equation 2}$$

Set to zero for external reference clock.

**OscDrv[1:0]**

These bits control the crystal oscillator gain setting. These must always be set according to [Table 5](#). The parameters are the Crystal Frequency, Internal Crystal Parasitic Resistance (equivalent series resistance), and the OscCap setting during crystal start up, which occurs when power is applied, or after shutdown is released. If in doubt, use the next higher setting.

**Table 5. Crystal Oscillator Gain Settings**

| OscCap           | 00H–20H |      | 20H–30H |      | 30H–40H |      |
|------------------|---------|------|---------|------|---------|------|
| Crystal Freq R   | 30 Ω    | 60 Ω | 30 Ω    | 60 Ω | 30 Ω    | 60 Ω |
| <b>8–15 MHz</b>  | 00      | 01   | 01      | 10   | 01      | 10   |
| <b>15–20 MHz</b> | 01      | 10   | 01      | 10   | 10      | 10   |
| <b>20–25 MHz</b> | 01      | 10   | 10      | 10   | 10      | 11   |
| <b>25–30 MHz</b> | 10      | 10   | 10      | 11   | 11      | NA   |

For external reference, the use [Table 6](#).

**Table 6. Osc Drv for External Reference**

| External Freq (MHz) | 1–25 | 25–50 | 50–90 | 90–166 |
|---------------------|------|-------|-------|--------|
| <b>OscDrv[1:0]</b>  | 00   | 01    | 10    | 11     |

**Reserved**

These bits must be programmed LOW for proper operation of the device.



## Serial Programming Bitmaps — Summary Tables

| Addr | DivSel | b7                  | b6      | b5                      | b4 | b3             | b2      | b1                 | b0 |  |
|------|--------|---------------------|---------|-------------------------|----|----------------|---------|--------------------|----|--|
| 08H  | 0      | ClkA_FS[0]          |         |                         |    | ClkA_Div[6:0]  |         |                    |    |  |
| 09H  | 1      | ClkA_FS[0]          |         |                         |    | ClkA_Div[6:0]  |         |                    |    |  |
| 0AH  | 0      | ClkB_FS[0]          |         |                         |    | ClkB_Div[6:0]  |         |                    |    |  |
| 0BH  | 1      | ClkB_FS[0]          |         |                         |    | ClkB_Div[6:0]  |         |                    |    |  |
| 0CH  | –      | ClkC_FS[0]          |         |                         |    | ClkC_Div[6:0]  |         |                    |    |  |
| 0DH  | –      | ClkD_FS[0]          |         |                         |    | ClkD_Div[6:0]  |         |                    |    |  |
| 0EH  | –      | ClkD_FS[2:1]        |         | ClkC_FS[2:1]            |    | ClkB_FS[2:1]   |         | ClkA_FS[2:1]       |    |  |
| 0FH  | –      | Clk{C,X}_ACAdj[1:0] |         | Clk{A,B,D,E}_ACAdj[1:0] |    | PdnEn          | Xbuf_OE | ClkE_Div[1:0]      |    |  |
| 10H  | –      | ClkX_DCAAdj[1]      |         | Clk{D,E}_DCAAdj[1]      |    | ClkC_DCAAdj[1] |         | Clk{A,B}_DCAAdj[1] |    |  |
| 11H  | –      | PLL2_Q[7:0]         |         |                         |    |                |         |                    |    |  |
| 12H  | –      | PLL2_P[7:0]         |         |                         |    |                |         |                    |    |  |
| 13H  | –      | Reserved            | PLL2_En | PLL2_LF[2:0]            |    |                | PLL2_PO | PLL2_P[9:8]        |    |  |
| 14H  | –      | PLL3_Q[7:0]         |         |                         |    |                |         |                    |    |  |
| 15H  | –      | PLL3_P[7:0]         |         |                         |    |                |         |                    |    |  |
| 16H  | –      | Reserved            | PLL3_En | PLL3_LF[2:0]            |    |                | PLL3_PO | PLL3_P[9:8]        |    |  |
| 17H  | –      | Osc_Cap[5:0]        |         |                         |    |                |         | Osc_Drv[1:0]       |    |  |

| Addr | S2 (1, 0) | b7          | b6      | b5           | b4 | b3 | b2      | b1          | b0 |
|------|-----------|-------------|---------|--------------|----|----|---------|-------------|----|
| 40H  | 000       | PLL1_Q[7:0] |         |              |    |    |         |             |    |
| 41H  |           | PLL1_P[7:0] |         |              |    |    |         |             |    |
| 42H  |           | DivSel      | PLL1_En | PLL1_LF[2:0] |    |    | PLL1_PO | PLL1_P[9:8] |    |
| 43H  | 001       | PLL1_Q[7:0] |         |              |    |    |         |             |    |
| 44H  |           | PLL1_P[7:0] |         |              |    |    |         |             |    |
| 45H  |           | DivSel      | PLL1_En | PLL1_LF[2:0] |    |    | PLL1_PO | PLL1_P[9:8] |    |
| 46H  | 010       | PLL1_Q[7:0] |         |              |    |    |         |             |    |
| 47H  |           | PLL1_P[7:0] |         |              |    |    |         |             |    |
| 48H  |           | DivSel      | PLL1_En | PLL1_LF[2:0] |    |    | PLL1_PO | PLL1_P[9:8] |    |
| 49H  | 011       | PLL1_Q[7:0] |         |              |    |    |         |             |    |
| 4AH  |           | PLL1_P[7:0] |         |              |    |    |         |             |    |
| 4BH  |           | DivSel      | PLL1_En | PLL1_LF[2:0] |    |    | PLL1_PO | PLL1_P[9:8] |    |
| 4CH  | 100       | PLL1_Q[7:0] |         |              |    |    |         |             |    |
| 4DH  |           | PLL1_P[7:0] |         |              |    |    |         |             |    |
| 4EH  |           | DivSel      | PLL1_En | PLL1_LF[2:0] |    |    | PLL1_PO | PLL1_P[9:8] |    |
| 4FH  | 101       | PLL1_Q[7:0] |         |              |    |    |         |             |    |
| 50H  |           | PLL1_P[7:0] |         |              |    |    |         |             |    |
| 51H  |           | DivSel      | PLL1_En | PLL1_LF[2:0] |    |    | PLL1_PO | PLL1_P[9:8] |    |
| 52H  | 110       | PLL1_Q[7:0] |         |              |    |    |         |             |    |
| 53H  |           | PLL1_P[7:0] |         |              |    |    |         |             |    |
| 54H  |           | DivSel      | PLL1_En | PLL1_LF[2:0] |    |    | PLL1_PO | PLL1_P[9:8] |    |
| 55H  | 111       | PLL1_Q[7:0] |         |              |    |    |         |             |    |
| 56H  |           | PLL1_P[7:0] |         |              |    |    |         |             |    |
| 57H  |           | DivSel      | PLL1_En | PLL1_LF[2:0] |    |    | PLL1_PO | PLL1_P[9:8] |    |

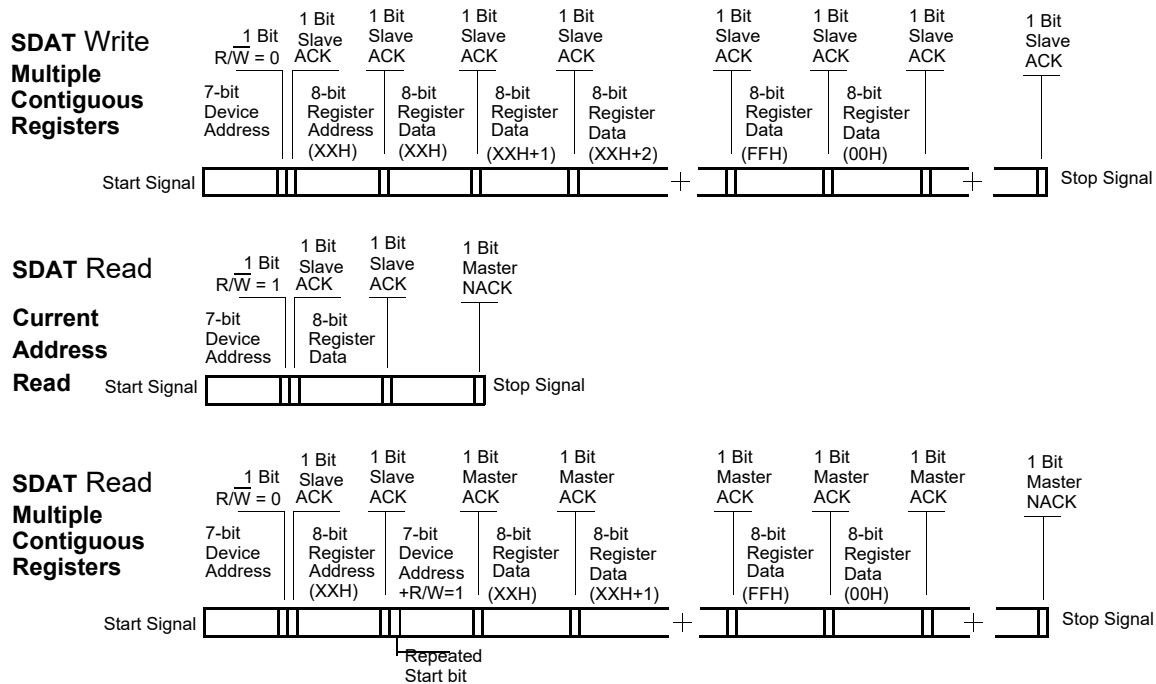


## Serial Bus Programming Protocol and Timing

The CY22393, CY22394 and CY22395 have a 2-wire serial interface for in-system programming. They use the SDAT and SCLK pins, and operate up to 400 kbit/s in Read or Write mode. Except for the data hold time, it is compliant with the I<sup>2</sup>C bus standard. The basic Write serial format is as follows:

Start Bit; 7-bit Device Address (DA); R/W Bit; Slave Clock Acknowledge (ACK); 8-bit Memory Address (MA); ACK; 8-bit Data; ACK; 8-bit Data in MA+1 if desired; ACK; 8-bit Data in MA+2; ACK; etc. until STOP Bit. The basic serial format is illustrated in Figure 2.

**Figure 2. Data Frame Architecture**



### Default Startup Condition for the CY22393/931/94/95

The default (programmed) condition of each device is generally set by the distributor, who programs the device using a customer specified JEDEC file produced by CyClocksRT, Cypress's proprietary development software. Parts shipped by the factory are blank and unprogrammed. In this condition, all bits are set to 0, all outputs are tristated, and the crystal oscillator circuit is active.

While users can develop their own subroutine to program any or all of the individual registers as described in the following pages, it may be easier to simply use CyClocksRT to produce the required register setting file.

### Device Address

The device address is a 7-bit value that is configured during Field Programming. By programming different device addresses, two or more parts are connected to the serial interface and can be independently controlled. The device address is combined with a read/write bit as the LSB and is sent after each start bit.

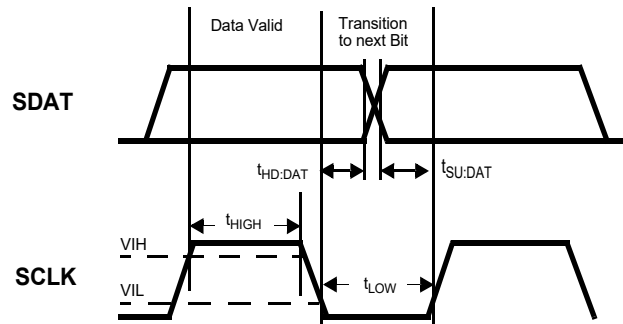
The default serial interface address is 69H, but must there be a conflict with any other devices in your system, this can also be changed using CyClocksRT.



**Data Valid**

Data is valid when the clock is HIGH, and can only be transitioned when the clock is LOW as illustrated in Figure 3.

**Figure 3. Data Valid and Data Transition Periods**



**Data Frame**

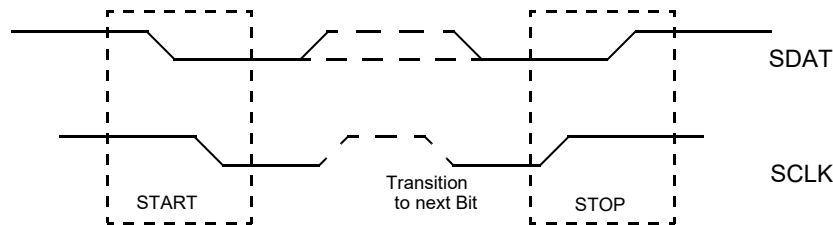
Every new data frame is indicated by a start and stop sequence, as illustrated in Figure 4.

**Start Sequence** - Start Frame is indicated by SDAT going LOW when SCLK is HIGH. Every time a start signal is given, the next 8-bit data must be the device address (seven bits) and a R/W bit,

followed by register address (eight bits) and register data (eight bits).

**Stop Sequence** - Stop Frame is indicated by SDAT going HIGH when SCLK is HIGH. A Stop Frame frees the bus for writing to another part on the same bus or writing to another random register address.

**Figure 4. Start and Stop Frame**

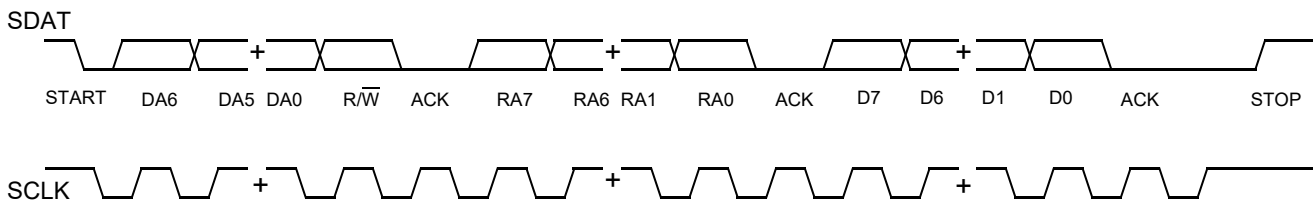


**Acknowledge Pulse**

During Write Mode the CY22393, CY22394, and CY22395 respond with an Acknowledge pulse after every eight bits. To do this, they pull the SDAT line LOW during the  $N \times 9^{\text{th}}$  clock cycle,

as illustrated in Figure 5. (N = the number of bytes transmitted). During Read Mode, the master generates the acknowledge pulse after the data packet is read.

**Figure 5. Frame Format (Device Address, R/W, Register Address, Register Data)**





## Write Operations

### Writing Individual Bytes

A valid write operation must have a full 8-bit register address after the device address word from the master, which is followed by an acknowledge bit from the slave (ack = 0/LOW). The next eight bits must contain the data word intended for storage. After the data word is received, the slave responds with another acknowledge bit (ack = 0/LOW), and the master must end the write sequence with a STOP condition.

### Writing Multiple Bytes

To write multiple bytes at a time, the master must not end the write sequence with a STOP condition. Instead, the master sends multiple contiguous bytes of data to be stored. After each byte, the slave responds with an acknowledge bit, the same as after the first byte, and accepts data until the STOP condition responds to the acknowledge bit. When receiving multiple bytes, the CY22393, CY223931, CY22394, and CY22395 internally increment the register address.

## Read Operations

Read operations are initiated the same way as Write operations except that the R/W bit of the slave address is set to '1' (HIGH). There are three basic read operations: current address read, random read, and sequential read.

### Current Address Read

The CY22393, CY22394 and CY22395 have an onboard address counter that retains "1" more than the address of the last word access. If the last word written or read was word 'n', then a current address read operation returns the value stored in location 'n+1'. When the CY22393, CY22394 and CY22395 receive the slave address with the R/W bit set to a '1', they issue an acknowledge and transmit the 8-bit word. The master device

does not acknowledge the transfer, but generates a STOP condition, which causes the CY22393, CY22394 and CY22395 to stop transmission.

### Random Read

Through random read operations, the master may access any memory location. To perform this type of read operation, first set the word address. Do this by sending the address to the CY22393, CY22394 and CY22395 as part of a write operation. After the word address is sent, the master generates a START condition following the acknowledge. This terminates the write operation before any data is stored in the address, but not before setting the internal address pointer. Next, the master reissues the control byte with the R/W byte set to '1'. The CY22393, CY22394 and CY22395 then issue an acknowledge and transmit the 8-bit word. The master device does not acknowledge the transfer, but generates a STOP condition which causes the CY22393, CY22394 and CY22395 to stop transmission.

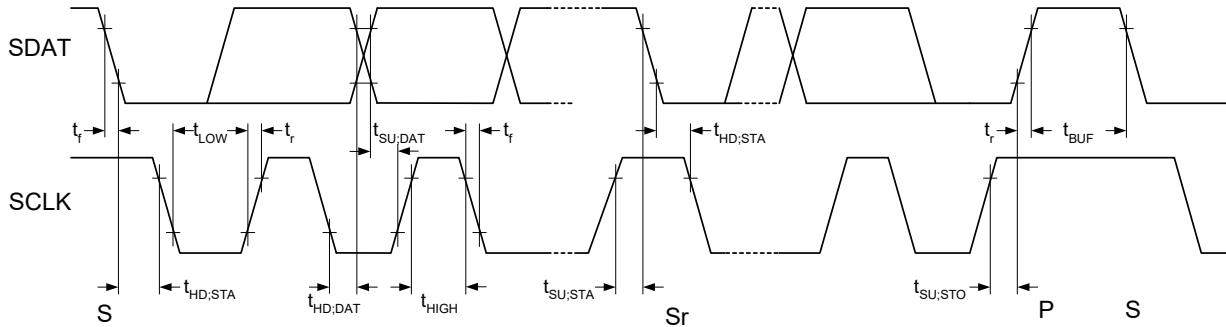
### Sequential Read

Sequential read operations follow the same process as random reads except that the master issues an acknowledge instead of a STOP condition after transmitting the first 8-bit data word. This action increments the internal address pointer, and subsequently outputs the next 8-bit data word. By continuing to issue acknowledges instead of STOP conditions, the master serially reads the entire contents of the slave device memory. Note that register addresses outside of 08H to 1BH and 40H to 57H can be read from but are not real registers and do not contain configuration information. When the internal address pointer points to the FFH register, after the next increment, the pointer points to the 00H register.



## Serial Programming Interface Timing

Figure 6. Definition for Timing on the Serial BUS



## Serial Programming Interface Timing Specifications

| Parameter    | Description                                     | Min | Max | Unit    |
|--------------|-------------------------------------------------|-----|-----|---------|
| $f_{SCLK}$   | Frequency of SCLK                               | –   | 400 | kHz     |
| $t_{HD:STA}$ | Hold time START condition                       | 0.6 | –   | $\mu s$ |
| $t_{LOW}$    | Low period of the SCLK clock                    | 1.3 | –   | $\mu s$ |
| $t_{HIGH}$   | High period of the SCLK clock                   | 0.6 | –   | $\mu s$ |
| $t_{SU:STA}$ | Setup time for a repeated START condition       | 0.6 | –   | $\mu s$ |
| $t_{HD:DAT}$ | Data hold time                                  | 100 | –   | ns      |
| $t_{SU:DAT}$ | Data setup time                                 | 100 | –   | ns      |
| $t_R$        | Rise time                                       | –   | 300 | ns      |
| $t_F$        | Fall time                                       | –   | 300 | ns      |
| $t_{SU:STO}$ | Setup time for STOP condition                   | 0.6 | –   | $\mu s$ |
| $t_{BUF}$    | Bus-free time between STOP and START conditions | 1.3 | –   | $\mu s$ |



## Absolute Maximum Conditions

|                                           |                                              |
|-------------------------------------------|----------------------------------------------|
| Supply voltage                            | .....-0.5 V to +7.0 V                        |
| DC input voltage                          | ..... -0.5 V to + (AV <sub>DD</sub> + 0.5 V) |
| Storage temperature                       | ..... -65 °C to +125 °C                      |
| Junction temperature                      | ..... 125 °C                                 |
| Data retention at T <sub>j</sub> = 125 °C | ..... > 10 years                             |
| Maximum programming cycles                | ..... 100                                    |

Package power dissipation ..... 350 mW

Static discharge voltage  
(per MIL-STD-883, Method 3015) ..... ≥ 2000 V

Latch up (per JEDEC 17) ..... ≥ ±200 mA

Stresses exceeding absolute maximum conditions may cause permanent damage to the device. These conditions are stress ratings only. Functional operation of the device at these or any other conditions beyond those indicated in the operation sections of this data sheet is not implied. Extended exposure to Absolute Maximum Conditions may affect reliability.

## Operating Conditions

| Parameter                                           | Description                                         | Part Numbers | Min   | Typ | Max   | Unit |
|-----------------------------------------------------|-----------------------------------------------------|--------------|-------|-----|-------|------|
| V <sub>DD</sub> /AV <sub>DD</sub> /LV <sub>DD</sub> | Supply voltage                                      | All          | 3.135 | 3.3 | 3.465 | V    |
| LV <sub>DD</sub>                                    | 2.5 V output supply voltage                         | CY22395      | 2.375 | 2.5 | 2.625 | V    |
| T <sub>A</sub>                                      | Commercial operating temperature, Ambient           | All          | 0     | –   | +70   | °C   |
|                                                     | Industrial operating temperature, Ambient           | All          | -40   | –   | +85   | °C   |
| C <sub>LOAD_OUT</sub>                               | Maximum load capacitance                            | All          | –     | –   | 15    | pF   |
| f <sub>REF</sub>                                    | External reference crystal                          | All          | 8     | –   | 30    | MHz  |
|                                                     | External reference clock, <sup>[2]</sup> Commercial | All          | 1     | –   | 166   | MHz  |
|                                                     | External reference clock, <sup>[2]</sup> Industrial | All          | 1     | –   | 150   | MHz  |

## Recommended Crystal Specifications

| Parameter         | Description                        | Conditions                           | Min | Typ | Max | Unit |
|-------------------|------------------------------------|--------------------------------------|-----|-----|-----|------|
| F <sub>NOM</sub>  | Nominal crystal frequency          | Parallel resonance, fundamental mode | 8   | –   | 30  | MHz  |
| C <sub>LNOM</sub> | Nominal load capacitance           | –                                    | 8   | –   | 20  | pF   |
| R <sub>1</sub>    | Equivalent series resistance (ESR) | Fundamental mode                     | –   | –   | 50  | Ω    |
| DL                | Crystal drive level                | No external series resistor assumed  | –   | 0.5 | 2   | mW   |

### Note

- External input reference clock must have a duty cycle between 40% and 60%, measured at V<sub>DD</sub>/2.



### 3.3 V Electrical Characteristics

| Parameter       | Description                                 | Conditions <sup>[3]</sup>                                           | Min | Typ | Max | Unit      |
|-----------------|---------------------------------------------|---------------------------------------------------------------------|-----|-----|-----|-----------|
| $I_{OH}$        | Output high current <sup>[4]</sup>          | $V_{OH} = (L)V_{DD} - 0.5$ , $(L)V_{DD} = 3.3$ V                    | 12  | 24  | –   | mA        |
| $I_{OL}$        | Output low current <sup>[4]</sup>           | $V_{OL} = 0.5$ , $(L)V_{DD} = 3.3$ V                                | 12  | 24  | –   | mA        |
| $C_{XTAL\_MIN}$ | Crystal load capacitance <sup>[4]</sup>     | Capload at minimum setting                                          | –   | 6   | –   | pF        |
| $C_{XTAL\_MAX}$ | Crystal load capacitance <sup>[5]</sup>     | Capload at maximum setting                                          | –   | 30  | –   | pF        |
| $C_{IN}$        | Input pin capacitance <sup>[4]</sup>        | Except crystal pins                                                 | –   | 7   | –   | pF        |
| $V_{IH}$        | High-level input voltage                    | CMOS levels, % of $AV_{DD}$                                         | 70% | –   | –   | $AV_{DD}$ |
| $V_{IL}$        | Low-level input voltage                     | CMOS levels, % of $AV_{DD}$                                         | –   | –   | 30% | $AV_{DD}$ |
| $I_{IH}$        | Input high current                          | $V_{IN} = AV_{DD} - 0.3$ V                                          | –   | <1  | 10  | $\mu$ A   |
| $I_{IL}$        | Input low current                           | $V_{IN} = +0.3$ V                                                   | –   | <1  | 10  | $\mu$ A   |
| $I_{OZ}$        | Output leakage current                      | Three-state outputs                                                 | –   | –   | 10  | $\mu$ A   |
| $I_{DD}$        | Total power supply current                  | 3.3-V power supply;<br>2 outputs at 20 MHz;<br>4 outputs at 40 MHz  | –   | 50  | –   | mA        |
|                 |                                             | 3.3-V power supply;<br>2 outputs at 166 MHz;<br>4 outputs at 83 MHz | –   | 100 | –   | mA        |
| $I_{DDS}$       | Total power supply current in shutdown mode | Shutdown active                                                     | –   | 5   | 20  | $\mu$ A   |

### 2.5 V Electrical Characteristics

(CY22395 only)<sup>[6]</sup>

| Parameter     | Description                        | Conditions                                   | Min | Typ | Max | Unit |
|---------------|------------------------------------|----------------------------------------------|-----|-----|-----|------|
| $I_{OH\_2.5}$ | Output high current <sup>[4]</sup> | $V_{OH} = LV_{DD} - 0.5$ , $LV_{DD} = 2.5$ V | 8   | 16  | –   | mA   |
| $I_{OL\_2.5}$ | Output low current <sup>[4]</sup>  | $V_{OL} = 0.5$ , $LV_{DD} = 2.5$ V           | 8   | 16  | –   | mA   |

### Thermal Resistance

| Parameter <sup>[7]</sup> | Description                              | Test Conditions                                                                                                             | 16-pin TSSOP | Unit           |
|--------------------------|------------------------------------------|-----------------------------------------------------------------------------------------------------------------------------|--------------|----------------|
| $\theta_{JA}$            | Thermal resistance (junction to ambient) | Test conditions follow standard test methods and procedures for measuring thermal impedance, in accordance with EIA/JESD51. | 90           | $^{\circ}$ C/W |
| $\theta_{JC}$            | Thermal resistance (junction to case)    |                                                                                                                             | 14           | $^{\circ}$ C/W |

#### Notes

- Unless otherwise noted, Electrical and Switching Characteristics are guaranteed across these operating conditions.
- Guaranteed by design, not 100% tested.
- External input reference clock must have a duty cycle between 40% and 60%, measured at  $V_{DD}/2$ .
- $V_{DDL}$  is only specified and characterized at  $3.3$  V  $\pm$  5% and  $2.5$  V  $\pm$  5%.  $V_{DDL}$  may be powered at any value between 3.465 and 2.375.
- These parameters are guaranteed by design and are not tested.



### 3.3 V Switching Characteristics

| Parameter        | Description                              | Conditions                                                                                                                                     | Min  | Typ | Max | Unit |
|------------------|------------------------------------------|------------------------------------------------------------------------------------------------------------------------------------------------|------|-----|-----|------|
| 1/t <sub>1</sub> | Output frequency <sup>[8, 9]</sup>       | Clock output limit, CMOS, Commercial                                                                                                           | –    | –   | 200 | MHz  |
|                  |                                          | Clock output limit, CMOS, Industrial                                                                                                           | –    | –   | 166 | MHz  |
|                  |                                          | Clock output limit, PECL, Commercial (CY22394 only)                                                                                            | 100  | –   | 400 | MHz  |
|                  |                                          | Clock output limit, PECL, Industrial (CY22394 only)                                                                                            | 125  | –   | 375 | MHz  |
| t <sub>2</sub>   | Output duty cycle <sup>[8, 10]</sup>     | Duty cycle for outputs, defined as t <sub>2</sub> ÷ t <sub>1</sub> , F <sub>out</sub> < 100 MHz, divider ≥ 2, measured at V <sub>DD</sub> /2   | 45%  | 50% | 55% |      |
|                  |                                          | Duty cycle for outputs, defined as t <sub>2</sub> ÷ t <sub>1</sub> , F <sub>out</sub> > 100 MHz or divider = 1, measured at V <sub>DD</sub> /2 | 40%  | 50% | 60% |      |
| t <sub>3</sub>   | Rising edge slew rate <sup>[8]</sup>     | Output clock rise time, 20% to 80% of V <sub>DD</sub>                                                                                          | 0.75 | 1.4 | –   | V/ns |
| t <sub>4</sub>   | Falling edge slew rate <sup>[8]</sup>    | Output clock fall time, 20% to 80% of V <sub>DD</sub>                                                                                          | 0.75 | 1.4 | –   | V/ns |
| t <sub>5</sub>   | Output three-state timing <sup>[8]</sup> | Time for output to enter or leave three-state mode after SHUTDOWN/OE switches                                                                  | –    | 150 | 300 | ns   |
| t <sub>6</sub>   | Clock jitter <sup>[8, 11]</sup>          | Peak-to-peak period jitter, CLK outputs measured at V <sub>DD</sub> /2                                                                         | –    | 400 | –   | ps   |
| V <sub>7</sub>   | P+/P– crossing point <sup>[8]</sup>      | Crossing point referenced to V <sub>DD</sub> /2, balanced resistor network (CY22394 only)                                                      | –0.2 | 0   | 0.2 | V    |
| t <sub>8</sub>   | P+/P– jitter <sup>[8, 11]</sup>          | Peak-to-peak period jitter, P+/P– outputs measured at crossing point (CY22394 only)                                                            | –    | 200 | –   | ps   |
| t <sub>9</sub>   | Lock time <sup>[8]</sup>                 | PLL Lock Time from Power up                                                                                                                    | –    | 1.0 | 3   | ms   |

### 2.5 V Switching Characteristics

(CY22395 only)<sup>[12]</sup>

| Parameter            | Description                           | Conditions                                                                                         | Min | Typ | Max | Unit |
|----------------------|---------------------------------------|----------------------------------------------------------------------------------------------------|-----|-----|-----|------|
| 1/t <sub>1_2.5</sub> | Output frequency <sup>[8, 9]</sup>    | Clock output limit, LVCMOS                                                                         | –   | –   | 133 | MHz  |
| t <sub>2_2.5</sub>   | Output duty cycle <sup>[8, 10]</sup>  | Duty cycle for outputs, defined as t <sub>2</sub> ÷ t <sub>1</sub> measured at LV <sub>DD</sub> /2 | 40% | 50% | 60% |      |
| t <sub>3_2.5</sub>   | Rising edge slew rate <sup>[8]</sup>  | Output clock rise time, 20% to 80% of LV <sub>DD</sub>                                             | 0.5 | 1.0 | –   | V/ns |
| t <sub>4_2.5</sub>   | Falling edge slew rate <sup>[8]</sup> | Output clock fall time, 20% to 80% of LV <sub>DD</sub>                                             | 0.5 | 1.0 | –   | V/ns |

#### Notes

8. Guaranteed by design, not 100% tested.

9. Guaranteed to meet 20%–80% output thresholds, duty cycle, and crossing point specifications.

10. Reference Output duty cycle depends on XTALIN duty cycle.

11. Jitter varies significantly with configuration. Reference Output jitter depends on XTALIN jitter and edge rate.

12. V<sub>DDL</sub> is only specified and characterized at 3.3 V ± 5% and 2.5 V ± 5%. V<sub>DDL</sub> may be powered at any value between 3.465 and 2.375.



## Switching Waveforms

Figure 7. All Outputs, Duty Cycle and Rise and Fall Time

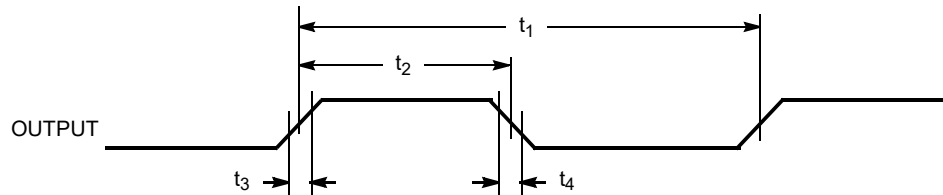


Figure 8. Output Tristate Timing

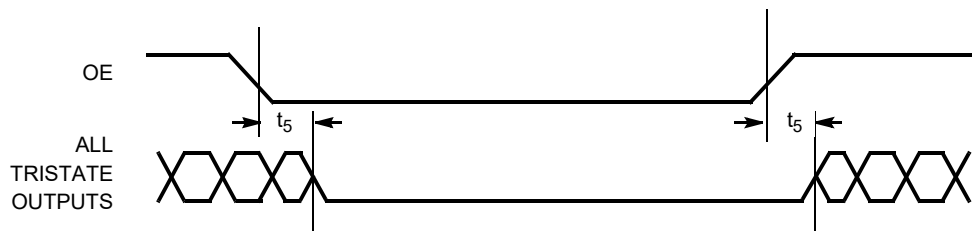


Figure 9. CLK Output Jitter

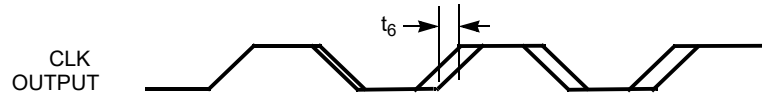


Figure 10. P+/P- Crossing Point and Jitter

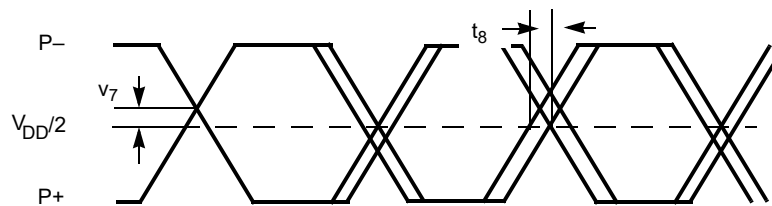
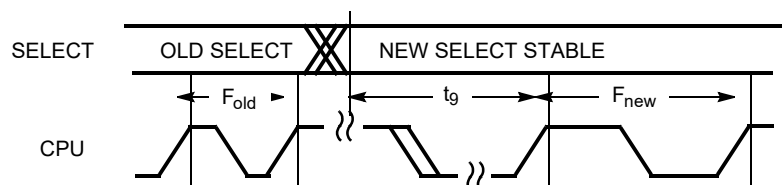
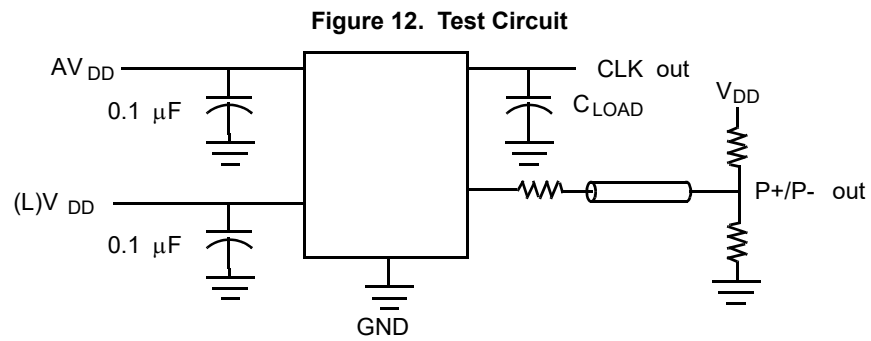


Figure 11. CPU Frequency Change





## Test Circuit





## Ordering Information

| Ordering Code  | Package Type                         | Product Flow                |
|----------------|--------------------------------------|-----------------------------|
| <b>Pb-free</b> |                                      |                             |
| CY22393FXC     | 16-pin TSSOP                         | Commercial, 0 °C to 70 °C   |
| CY22393FXCT    | 16-pin TSSOP - Tape and Reel         | Commercial, 0 °C to 70 °C   |
| CY22393FXI     | 16-pin TSSOP                         | Industrial, -40 °C to 85 °C |
| CY22393FXIT    | 16-pin TSSOP - Tape and Reel         | Industrial, -40 °C to 85 °C |
| CY223931FXI    | 16-pin TSSOP with NiPdAu lead finish | Industrial, -40 °C to 85 °C |
| CY22394FXC     | 16-pin TSSOP                         | Commercial, 0 °C to 70 °C   |
| CY22394FXCT    | 16-pin TSSOP - Tape and Reel         | Commercial, 0 °C to 70 °C   |
| CY22394FXI     | 16-pin TSSOP                         | Industrial, -40 °C to 85 °C |
| CY22394FXIT    | 16-pin TSSOP - Tape and Reel         | Industrial, -40 °C to 85 °C |
| CY22395FXC     | 16-pin TSSOP                         | Commercial, 0 °C to 70 °C   |
| CY22395FXCT    | 16-pin TSSOP - Tape and Reel         | Commercial, 0 °C to 70 °C   |
| CY22395FXI     | 16-pin TSSOP                         | Industrial, -40 °C to 85 °C |
| CY22395FXIT    | 16-pin TSSOP - Tape and Reel         | Industrial, -40 °C to 85 °C |

## Possible Configurations

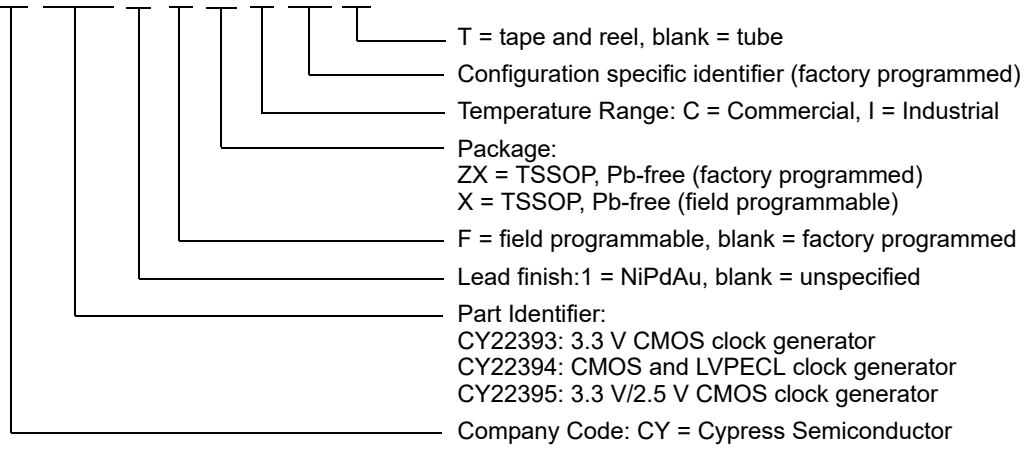
Some product offerings are factory programmed customer specific devices with customized part numbers. The [Possible Configurations](#) table shows the available device types, but not complete part numbers. Contact your local Cypress FAE or sales representative for more information.

| Ordering Code   | Package Type                 | Product Flow                |
|-----------------|------------------------------|-----------------------------|
| <b>Pb-free</b>  |                              |                             |
| CY22393ZXC-xxx  | 16-pin TSSOP                 | Commercial, 0 °C to 70 °C   |
| CY22393ZXC-xxxT | 16-pin TSSOP - Tape and Reel | Commercial, 0 °C to 70 °C   |
| CY22393ZXI-xxx  | 16-pin TSSOP                 | Industrial, -40 °C to 85 °C |
| CY22393ZXI-xxxT | 16-pin TSSOP - Tape and Reel | Industrial, -40 °C to 85 °C |
| CY22394ZXC-xxx  | 16-pin TSSOP                 | Commercial, 0 °C to 70 °C   |
| CY22394ZXC-xxxT | 16-pin TSSOP - Tape and Reel | Commercial, 0 °C to 70 °C   |
| CY22394ZXI-xxx  | 16-pin TSSOP                 | Industrial, -40 °C to 85 °C |
| CY22394ZXI-xxxT | 16-pin TSSOP - Tape and Reel | Industrial, -40 °C to 85 °C |
| CY22395ZXC-xxx  | 16-pin TSSOP                 | Commercial, 0 °C to 70 °C   |
| CY22395ZXC-xxxT | 16-pin TSSOP - Tape and Reel | Commercial, 0 °C to 70 °C   |
| CY22395ZXI-xxx  | 16-pin TSSOP                 | Industrial, -40 °C to 85 °C |
| CY22395ZXI-xxxT | 16-pin TSSOP - Tape and Reel | Industrial, -40 °C to 85 °C |



## Ordering Code Definitions

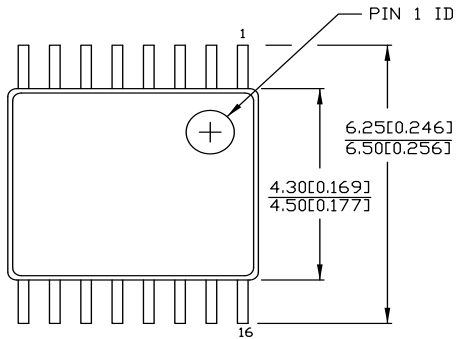
CY 22393 (1) (F) ZX C (-xxx) (T)





Package Diagram

Figure 13. 16-Pin TSSOP (4.40 mm Body) Package Outline, 51-85091

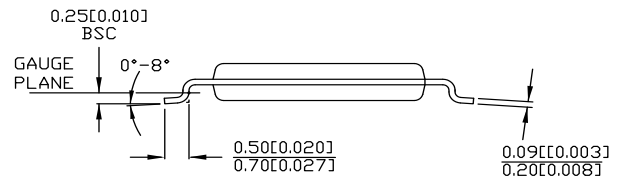
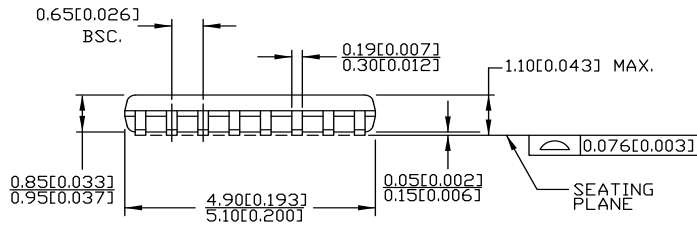


DIMENSIONS IN MM[INCHES] MIN. MAX.

REFERENCE JEDEC MO-153

PACKAGE WEIGHT 0.05gms

| PART #   |                |
|----------|----------------|
| Z16.173  | STANDARD PKG.  |
| ZZ16.173 | LEAD FREE PKG. |



51-85091 \*E



## Acronyms

| Acronym | Description                                         |
|---------|-----------------------------------------------------|
| CMOS    | complementary metal oxide semiconductor             |
| ESR     | equivalent series resistance                        |
| FAE     | field application engineer                          |
| FET     | field effect transistor                             |
| LVC MOS | low voltage complementary metal oxide semiconductor |
| LVPECL  | low voltage positive emitter coupled logic          |
| LV TTL  | low voltage transistor-transistor logic             |
| MPEG    | motion picture experts group                        |
| OE      | output enable                                       |
| PECL    | positive emitter coupled logic                      |
| PLL     | phase-locked loop                                   |
| TSSOP   | thin shrink small outline package                   |

## Document Conventions

### Units of Measure

| Symbol | Unit of Measure   |
|--------|-------------------|
| °C     | degree Celsius    |
| MHz    | megahertz         |
| μA     | microampere       |
| μF     | microfarad        |
| mA     | milliampere       |
| mm     | millimeter        |
| ms     | millisecond       |
| mW     | milliwatt         |
| ns     | nanosecond        |
| ppm    | parts per million |
| pF     | picofarad         |
| ps     | picosecond        |
| V      | volt              |



## Document History Page

| Document Title: CY22393/CY223931/CY22394/CY22395, Three-PLL, Serial-Programmable, Flash-Programmable Clock Generator |         |                 |                 |                                                                                                                                                                                                                                                                                                                                                                                                                                                                                                                                                                                                                                                                                                                                                                                             |
|----------------------------------------------------------------------------------------------------------------------|---------|-----------------|-----------------|---------------------------------------------------------------------------------------------------------------------------------------------------------------------------------------------------------------------------------------------------------------------------------------------------------------------------------------------------------------------------------------------------------------------------------------------------------------------------------------------------------------------------------------------------------------------------------------------------------------------------------------------------------------------------------------------------------------------------------------------------------------------------------------------|
| Document Number: 38-07186                                                                                            |         |                 |                 |                                                                                                                                                                                                                                                                                                                                                                                                                                                                                                                                                                                                                                                                                                                                                                                             |
| Rev.                                                                                                                 | ECN     | Orig. of Change | Submission Date | Description of Change                                                                                                                                                                                                                                                                                                                                                                                                                                                                                                                                                                                                                                                                                                                                                                       |
| **                                                                                                                   | 111984  | DSG             | 12/09/2001      | Change from spec number 38-01144 to 38-07186.                                                                                                                                                                                                                                                                                                                                                                                                                                                                                                                                                                                                                                                                                                                                               |
| *A                                                                                                                   | 129388  | RGL             | 10/13/2003      | Added "Serial Programming Interface (SPI) Protocol and Timing".<br>Added <a href="#">Write Operations</a> .<br>Added <a href="#">Read Operations</a> .<br>Added <a href="#">Serial Programming Interface Timing</a> .<br>Added <a href="#">Serial Programming Interface Timing Specifications</a> .                                                                                                                                                                                                                                                                                                                                                                                                                                                                                         |
| *B                                                                                                                   | 237755  | RGL             | 06/25/2004      | Updated <a href="#">Ordering Information</a> :<br>Updated part numbers.<br>Updated <a href="#">Package Diagram</a> :<br>spec 51-85091 – Changed revision from ** to *A.                                                                                                                                                                                                                                                                                                                                                                                                                                                                                                                                                                                                                     |
| *C                                                                                                                   | 848580  | RGL             | 03/15/2007      | Updated <a href="#">Advanced Features</a> :<br>Updated description.<br>Updated "Benefits":<br>Updated description.<br>Updated <a href="#">Pin Definitions</a> :<br>Updated details in "Description" column corresponding to SDAT (S0) and SCLK (S1) pins.<br>Updated Serial Programming Interface (SPI) Protocol and Timing:<br>Updated heading to read as "I <sup>2</sup> C Serial Programming Protocol and Timing".<br>Updated description.<br>Updated to new template.                                                                                                                                                                                                                                                                                                                   |
| *D                                                                                                                   | 2584052 | AESA / KVM      | 10/10/2008      | Replaced "I <sup>2</sup> C" with "2-wire" in all instances across the document.<br>Updated "Serial Bus Programming Protocol and Timing":<br>Updated heading to read as "Serial Bus Programming Protocol and Timing".<br>Updated description.<br>Updated <a href="#">Serial Programming Interface Timing Specifications</a> :<br>Changed minimum value of t <sub>DH</sub> parameter corresponding to "Data hold (SCLK LOW to data transition)" from 0 ns to 100 ns.<br>Updated <a href="#">Ordering Information</a> :<br>Updated part numbers.<br>Replaced "Lead-Free" with "Pb-Free".<br>Added Note "Not recommended for new designs." and referred the same note in CY22393ZC-xxx, CY22393ZC-xxxT, CY22393FC, CY22393FCT, CY22394FC, CY22394FCT and CY22395FC.<br>Updated to new template. |
| *E                                                                                                                   | 2634202 | KVM / AESA      | 01/09/2009      | Updated Document Title to read as<br>"CY22393/CY223931/CY22394/CY22395, Three-PLL Serial-Programmable Flash-Programmable Clock Generator".<br>Added CY223931 part related information in all instances across the document.<br>Updated <a href="#">Selection Guide</a> :<br>Added CY22393_I, CY223931_I part numbers and their corresponding details.<br>Updated details in "Part Number" column (Changed the format).<br>Updated <a href="#">Pin Definitions</a> :<br>Replaced SUSPEND with <u>SUSPEND</u> in "Name" column.<br>Updated <a href="#">Ordering Information</a> :<br>Updated part numbers.<br>Completing Sunset Review.                                                                                                                                                       |
| *F                                                                                                                   | 2748211 | TSAI            | 08/10/2009      | Updated to new template.<br>Post to external web.                                                                                                                                                                                                                                                                                                                                                                                                                                                                                                                                                                                                                                                                                                                                           |



## Document History Page (continued)

| Document Title: CY22393/CY223931/CY22394/CY22395, Three-PLL, Serial-Programmable, Flash-Programmable Clock Generator<br>Document Number: 38-07186 |         |                 |                 |                                                                                                                                                                                                                                                                                                                                                                                                                                                                                                                                                                                                                                                                                                                         |
|---------------------------------------------------------------------------------------------------------------------------------------------------|---------|-----------------|-----------------|-------------------------------------------------------------------------------------------------------------------------------------------------------------------------------------------------------------------------------------------------------------------------------------------------------------------------------------------------------------------------------------------------------------------------------------------------------------------------------------------------------------------------------------------------------------------------------------------------------------------------------------------------------------------------------------------------------------------------|
| Rev.                                                                                                                                              | ECN     | Orig. of Change | Submission Date | Description of Change                                                                                                                                                                                                                                                                                                                                                                                                                                                                                                                                                                                                                                                                                                   |
| *G                                                                                                                                                | 2897775 | KVM             | 03/23/2010      | Updated <a href="#">Ordering Information</a> :<br>Updated part numbers.<br>Added <a href="#">Possible Configurations</a> and moved xxx part numbers here.                                                                                                                                                                                                                                                                                                                                                                                                                                                                                                                                                               |
| *H                                                                                                                                                | 3048452 | BASH            | 10/05/2010      | Removed "Benefits".<br>Updated <a href="#">Pinouts</a> :<br>Updated <a href="#">Figure 1</a> .<br>Updated <a href="#">Functional Overview</a> :<br>Added <a href="#">Crystal Drive Level and Power</a> .<br>Added <a href="#">Recommended Crystal Specifications</a> .<br>Updated <a href="#">Ordering Information</a> :<br>No change in part numbers.<br>Replaced "FTG Programmer" with "Programmer" in "Package Type" column corresponding to "CY3672-USB".<br>Added <a href="#">Ordering Code Definitions</a> .<br>Updated <a href="#">Package Diagram</a> :<br>spec 51-85091 – Changed revision from *B to *C.<br>Added <a href="#">Acronyms</a> and <a href="#">Units of Measure</a> .<br>Updated to new template. |
| *I                                                                                                                                                | 3562729 | PURU            | 03/27/2012      | Updated <a href="#">Package Diagram</a> :<br>spec 51-85091 – Changed revision from *C to *D.<br>Completing Sunset Review.                                                                                                                                                                                                                                                                                                                                                                                                                                                                                                                                                                                               |
| *J                                                                                                                                                | 4576237 | PURU            | 11/21/2014      | Updated <a href="#">Functional Description</a> :<br>Added "For a complete list of related documentation, click <a href="#">here</a> ." at the end.<br>Updated <a href="#">Serial Bus Programming Protocol and Timing</a> :<br>Updated <a href="#">Figure 2</a> (Updated last ACK in SDAT Read-Current Address Read and SDAT Read-Multiple Contiguous Registers to "NACK").<br>Updated <a href="#">Package Diagram</a> :<br>spec 51-85091 – Changed revision from *D to *E.                                                                                                                                                                                                                                              |
| *K                                                                                                                                                | 4669878 | XHT             | 02/25/2015      | Updated <a href="#">Serial Bus Programming Protocol and Timing</a> :<br>Removed Figure 2 "Data Transfer Sequence on the Serial Bus".<br>Updated <a href="#">Serial Programming Interface Timing</a> :<br>Added <a href="#">Figure 6</a> .<br>Updated <a href="#">Serial Programming Interface Timing Specifications</a> :<br>Updated details in "Parameter" and "Description" columns.<br>Completing Sunset Review.                                                                                                                                                                                                                                                                                                     |
| *L                                                                                                                                                | 5274688 | PSR             | 05/17/2016      | Updated <a href="#">Functional Overview</a> :<br>Updated <a href="#">General Purpose Inputs</a> :<br>Updated description.<br>Added <a href="#">Thermal Resistance</a> .<br>Updated to new template.                                                                                                                                                                                                                                                                                                                                                                                                                                                                                                                     |
| *M                                                                                                                                                | 5734090 | AESATMP7        | 05/11/2017      | Updated Cypress Logo and Copyright.                                                                                                                                                                                                                                                                                                                                                                                                                                                                                                                                                                                                                                                                                     |
| *N                                                                                                                                                | 6523585 | XHT             | 03/27/2019      | Updated <a href="#">Ordering Information</a> :<br>Updated part numbers.<br>Updated to new template.                                                                                                                                                                                                                                                                                                                                                                                                                                                                                                                                                                                                                     |



## Sales, Solutions, and Legal Information

### Worldwide Sales and Design Support

Cypress maintains a worldwide network of offices, solution centers, manufacturer's representatives, and distributors. To find the office closest to you, visit us at [Cypress Locations](#).

#### Products

|                                                       |                                                                    |
|-------------------------------------------------------|--------------------------------------------------------------------|
| Arm <sup>®</sup> Cortex <sup>®</sup> Microcontrollers | <a href="http://cypress.com/arm">cypress.com/arm</a>               |
| Automotive                                            | <a href="http://cypress.com/automotive">cypress.com/automotive</a> |
| Clocks & Buffers                                      | <a href="http://cypress.com/clocks">cypress.com/clocks</a>         |
| Interface                                             | <a href="http://cypress.com/interface">cypress.com/interface</a>   |
| Internet of Things                                    | <a href="http://cypress.com/iot">cypress.com/iot</a>               |
| Memory                                                | <a href="http://cypress.com/memory">cypress.com/memory</a>         |
| Microcontrollers                                      | <a href="http://cypress.com/mcu">cypress.com/mcu</a>               |
| PSoC                                                  | <a href="http://cypress.com/psoc">cypress.com/psoc</a>             |
| Power Management ICs                                  | <a href="http://cypress.com/pmic">cypress.com/pmic</a>             |
| Touch Sensing                                         | <a href="http://cypress.com/touch">cypress.com/touch</a>           |
| USB Controllers                                       | <a href="http://cypress.com/usb">cypress.com/usb</a>               |
| Wireless Connectivity                                 | <a href="http://cypress.com/wireless">cypress.com/wireless</a>     |

#### PSoC<sup>®</sup> Solutions

[PSoC 1](#) | [PSoC 3](#) | [PSoC 4](#) | [PSoC 5LP](#) | [PSoC 6 MCU](#)

#### Cypress Developer Community

[Community](#) | [Projects](#) | [Video](#) | [Blogs](#) | [Training](#) | [Components](#)

#### Technical Support

[cypress.com/support](http://cypress.com/support)



© Cypress Semiconductor Corporation, 2001–2019. This document is the property of Cypress Semiconductor Corporation and its subsidiaries ("Cypress"). This document, including any software or firmware included or referenced in this document ("Software"), is owned by Cypress under the intellectual property laws and treaties of the United States and other countries worldwide. Cypress reserves all rights under such laws and treaties and does not, except as specifically stated in this paragraph, grant any license under its patents, copyrights, trademarks, or other intellectual property rights. If the Software is not accompanied by a license agreement and you do not otherwise have a written agreement with Cypress governing the use of the Software, then Cypress hereby grants you a personal, non-exclusive, nontransferable license (without the right to sublicense) (1) under its copyright rights in the Software (a) for Software provided in source code form, to modify and reproduce the Software solely for use with Cypress hardware products, only internally within your organization, and (b) to distribute the Software in binary code form externally to end users (either directly or indirectly through resellers and distributors), solely for use on Cypress hardware product units, and (2) under those claims of Cypress's patents that are infringed by the Software (as provided by Cypress, unmodified) to make, use, distribute, and import the Software solely for use with Cypress hardware products. Any other use, reproduction, modification, translation, or compilation of the Software is prohibited.

TO THE EXTENT PERMITTED BY APPLICABLE LAW, CYPRESS MAKES NO WARRANTY OF ANY KIND, EXPRESS OR IMPLIED, WITH REGARD TO THIS DOCUMENT OR ANY SOFTWARE OR ACCOMPANYING HARDWARE, INCLUDING, BUT NOT LIMITED TO, THE IMPLIED WARRANTIES OF MERCHANTABILITY AND FITNESS FOR A PARTICULAR PURPOSE. No computing device can be absolutely secure. Therefore, despite security measures implemented in Cypress hardware or software products, Cypress shall have no liability arising out of any security breach, such as unauthorized access to or use of a Cypress product. CYPRESS DOES NOT REPRESENT, WARRANT, OR GUARANTEE THAT CYPRESS PRODUCTS, OR SYSTEMS CREATED USING CYPRESS PRODUCTS, WILL BE FREE FROM CORRUPTION, ATTACK, VIRUSES, INTERFERENCE, HACKING, DATA LOSS OR THEFT, OR OTHER SECURITY INTRUSION (collectively, "Security Breach"). Cypress disclaims any liability relating to any Security Breach, and you shall and hereby do release Cypress from any claim, damage, or other liability arising from any Security Breach. In addition, the products described in these materials may contain design defects or errors known as errata which may cause the product to deviate from published specifications. To the extent permitted by applicable law, Cypress reserves the right to make changes to this document without further notice. Cypress does not assume any liability arising out of the application or use of any product or circuit described in this document. Any information provided in this document, including any sample design information or programming code, is provided only for reference purposes. It is the responsibility of the user of this document to properly design, program, and test the functionality and safety of any application made of this information and any resulting product. "High-Risk Device" means any device or system whose failure could cause personal injury, death, or property damage. Examples of High-Risk Devices are weapons, nuclear installations, surgical implants, and other medical devices. "Critical Component" means any component of a High-Risk Device whose failure to perform can be reasonably expected to cause, directly or indirectly, the failure of the High-Risk Device, or to affect its safety or effectiveness. Cypress is not liable, in whole or in part, and you shall and hereby do release Cypress from any claim, damage, or other liability arising from any use of a Cypress product as a Critical Component in a High-Risk Device. You shall indemnify and hold Cypress, its directors, officers, employees, agents, affiliates, distributors, and assigns harmless from and against all claims, costs, damages, and expenses, arising out of any claim, including claims for product liability, personal injury or death, or property damage arising from any use of a Cypress product as a Critical Component in a High-Risk Device. Cypress products are not intended or authorized for use as a Critical Component in any High-Risk Device except to the limited extent that (i) Cypress's published data sheet for the product explicitly states Cypress has qualified the product for use in a specific High-Risk Device, or (ii) Cypress has given you advance written authorization to use the product as a Critical Component in the specific High-Risk Device and you have signed a separate indemnification agreement.

Cypress, the Cypress logo, Spansion, the Spansion logo, and combinations thereof, WICED, PSoC, CapSense, EZ-USB, F-RAM, and Traveo are trademarks or registered trademarks of Cypress in the United States and other countries. For a more complete list of Cypress trademarks, visit [cypress.com](http://cypress.com). Other names and brands may be claimed as property of their respective owners.

## Looking for pricing, stock, or lifecycle information?

Click below to explore more details on WIN SOURCE:

-  [View CY22395FXCT on WIN SOURCE](#)
-  [Cypress Semiconductor Corp Information](#)

## Optimize Your Supply Chain with WIN SOURCE Solutions

-  Global Sourcing Solution
-  Obsolete Management
-  Cost Control Management
-  Shortage Management
-  Alternative Solution
-  Excess Inventory Management