



# LF351

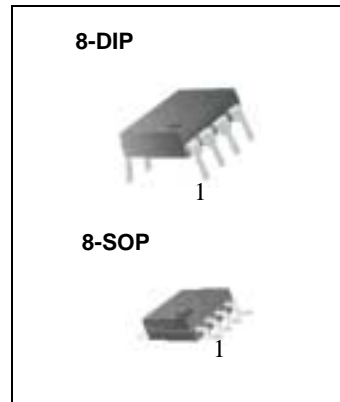
## Single Operational Amplifier (JFET)

### Features

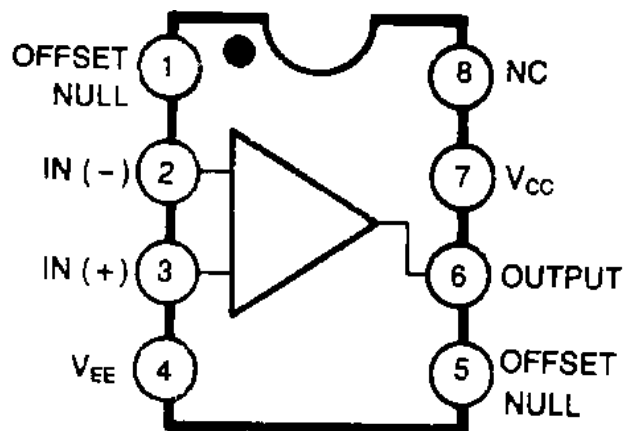
- Internally trimmed offset voltage: 10mV
- Low input bias current : 50pA
- Wide gain bandwidth : 4MHz
- High slew rate : 13V/ $\mu$ s
- High input impedance :  $10^{12}\Omega$

### Description

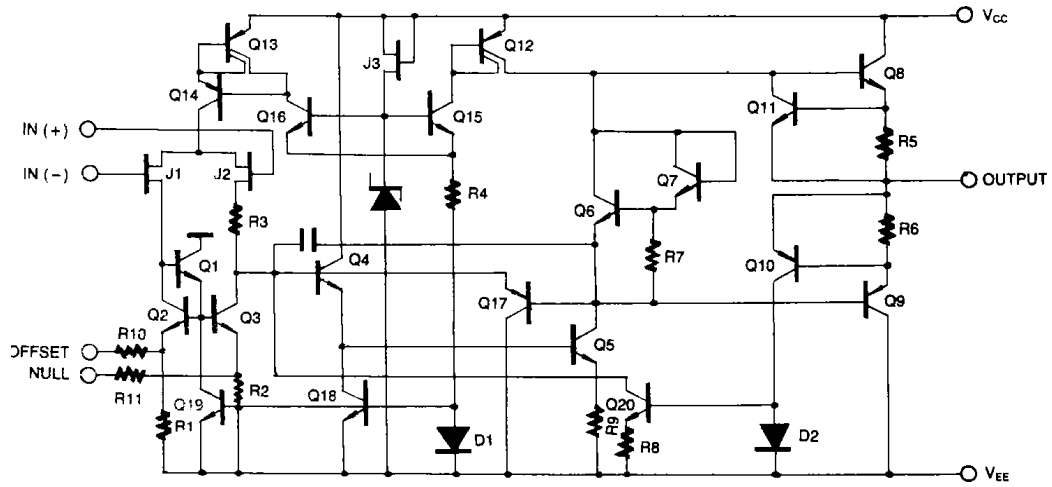
The LF351 is JFET input operational amplifier with an internally compensated input offset voltage. The JFET input device provides wide bandwidth, low input bias currents and offset currents.



### Internal Block Diagram



## Schematic Diagram



## Absolute Maximum Ratings

Parameter	Symbol	Value	Unit
Supply Voltage	VCC	±18	V
Differential Input Voltage	V <sub>I(DIFF)</sub>	30	V
Input Voltage Range	V <sub>I</sub>	±15	V
Output Short Circuit Duration	-	Continuous	-
Power Dissipation	PD	500	mW
Operating Temperature	T <sub>OPR</sub>	0 ~ +70	°C
Storage Temperature Range	T <sub>STG</sub>	-65 ~ +150	°C

## Electrical Characteristics

(VCC = +15V, VEE = - 15V, TA = 25 °C. unless otherwise specified)

Parameter	Symbol	Conditions	Min.	Typ.	Max.	Unit
Input Offset Voltage	V <sub>IO</sub>	R <sub>S</sub> = 10kΩ 0 °C ≤ T <sub>A</sub> ≤ 70 °C	-	5.0	10	mV
			-	-	13	
Input Offset Voltage Drift (Note1)	ΔV <sub>IO</sub> /ΔT	R <sub>S</sub> = 10kΩ 0 °C ≤ T <sub>A</sub> ≤ 70 °C	-	10	-	μV/ °C
Input Offset Current	I <sub>IO</sub>	0 °C ≤ T <sub>A</sub> ≤ 70 °C	-	25	100	pA
			-	-	4	nA
Input Bias Current	I <sub>BAIS</sub>	0 °C ≤ T <sub>A</sub> ≤ 70 °C	-	50	200	pA
			-	-	8	nA
Input Resistance (Note1)	R <sub>I</sub>	-	-	10 <sup>12</sup>	-	Ω
Large Signal Voltage Gain	G <sub>V</sub>	V <sub>O(P-P)</sub> = ±10V R <sub>L</sub> = 2kΩ 0 °C ≤ T <sub>A</sub> ≤ 70 °C	25	100	-	V/mV
			15	-	-	
Output Voltage Swing	V <sub>O(P-P)</sub>	R <sub>L</sub> = 10kΩ	±12	±13.5	-	V
Input Voltage Range	V <sub>I(R)</sub>	-	±11	+15 -12	-	V
Common Mode Rejection Ratio	CMRR	R <sub>S</sub> ≤ 10kΩ	70	100	-	dB
Power Supply Rejection Ratio	PSRR	R <sub>S</sub> ≤ 10kΩ	70	100	-	dB
Power Supply Current	I <sub>CC</sub>	-	-	2.3	3.4	mA
Slew Rate (Note1)	SR	G <sub>V</sub> = 1	-	13	-	V/μs
Gain-Bandwidth Product (Note1)	GBW	-	-	4	-	MHz

### Note :

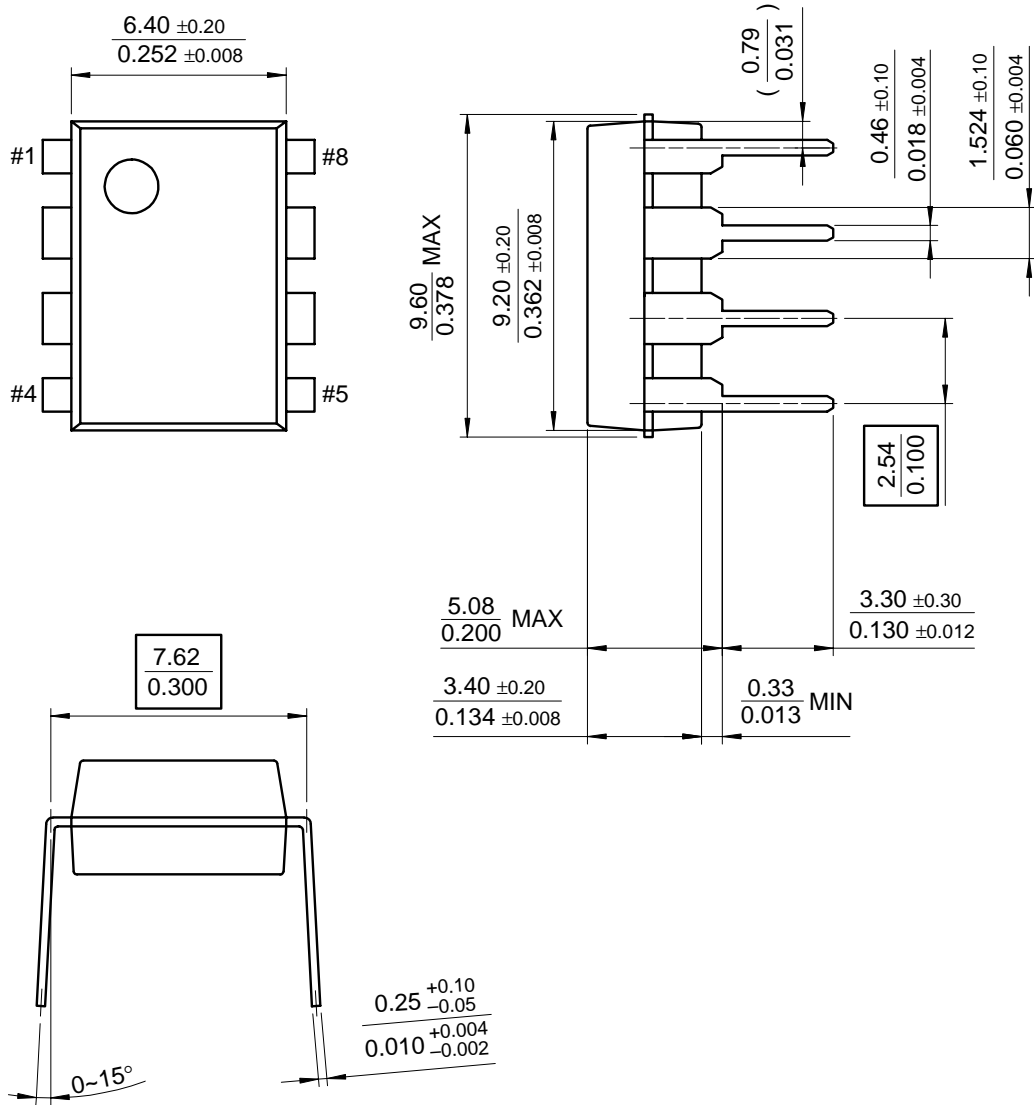
1. Guaranteed by design.

# Mechanical Dimensions

## Package

Dimensions in millimeters

### 8-DIP

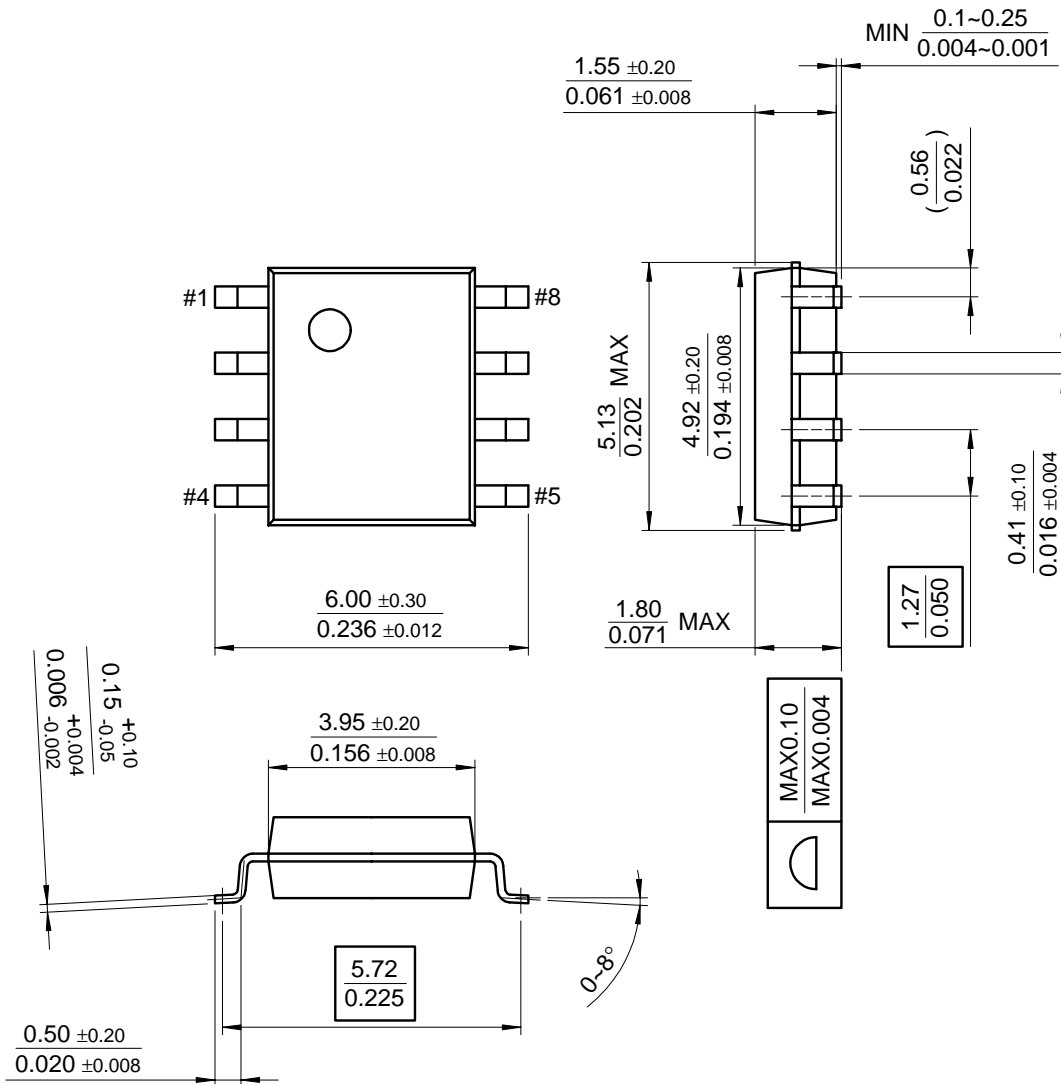


**Mechanical Dimensions** (Continued)

Package

Dimensions in millimeters

**8-SOP**



**Ordering Information**

<b>Product Number</b>	<b>Package</b>	<b>Operating Temperature</b>
LF351N	8-DIP	0 ~ + 70°C
LF351M	8-SOP	



**DISCLAIMER**

FAIRCHILD SEMICONDUCTOR RESERVES THE RIGHT TO MAKE CHANGES WITHOUT FURTHER NOTICE TO ANY PRODUCTS HEREIN TO IMPROVE RELIABILITY, FUNCTION OR DESIGN. FAIRCHILD DOES NOT ASSUME ANY LIABILITY ARISING OUT OF THE APPLICATION OR USE OF ANY PRODUCT OR CIRCUIT DESCRIBED HEREIN; NEITHER DOES IT CONVEY ANY LICENSE UNDER ITS PATENT RIGHTS, NOR THE RIGHTS OF OTHERS.

**LIFE SUPPORT POLICY**

FAIRCHILD'S PRODUCTS ARE NOT AUTHORIZED FOR USE AS CRITICAL COMPONENTS IN LIFE SUPPORT DEVICES OR SYSTEMS WITHOUT THE EXPRESS WRITTEN APPROVAL OF THE PRESIDENT OF FAIRCHILD SEMICONDUCTOR CORPORATION. As used herein:

1. Life support devices or systems are devices or systems which, (a) are intended for surgical implant into the body, or (b) support or sustain life, and (c) whose failure to perform when properly used in accordance with instructions for use provided in the labeling, can be reasonably expected to result in a significant injury of the user.
2. A critical component in any component of a life support device or system whose failure to perform can be reasonably expected to cause the failure of the life support device or system, or to affect its safety or effectiveness.

## Looking for pricing, stock, or lifecycle information?

Click below to explore more details on WIN SOURCE:

-  [View LF351MX on WIN SOURCE](#)
-  [Fairchild/ON Semiconductor Information](#)

## Optimize Your Supply Chain with WIN SOURCE Solutions

-  Global Sourcing Solution
-  Obsolete Management
-  Cost Control Management
-  Shortage Management
-  Alternative Solution
-  Excess Inventory Management