

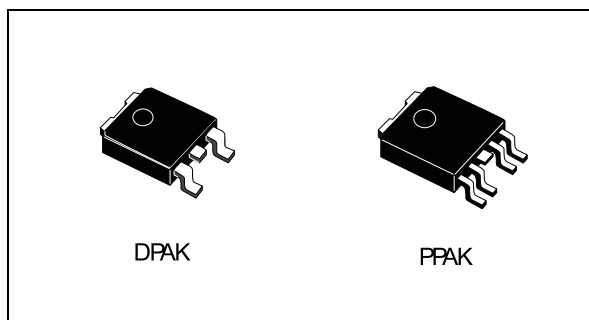


**THE DATASHEET OF
LD29150PT18R**



1.5 A, very low drop voltage regulators

Datasheet - production data



Description

The LD29150 is a high current, high accuracy, low-dropout voltage regulator series. These regulators feature 400 mV dropout voltage and very low ground current. Designed for high current loads, these devices are also used in lower current, extremely low dropout-critical systems, where their tiny dropout voltage and ground current values are important attributes. Typical applications are in power supply switching post regulation, series power supply for monitors, series power supply for VCRs and TVs, computer systems and battery powered systems.

Features

- Very low dropout voltage (typ. 0.4 at 1.5 A)
- Guaranteed output current up to 1.5 A
- Fixed and adjustable output voltage ($\pm 1\%$ at 25 °C)
- Internal current and thermal limit
- Logic controlled electronic shutdown available in PPAK

Table 1. Device summary

| Order codes | | Output voltages |
|--------------|--------------|-----------------|
| DPAK | PPAK | |
| LD29150DT18R | | 1.8 V |
| LD29150DT25R | | 2.5 V |
| LD29150DT33R | | 3.3 V |
| LD29150DT50R | LD29150PT50R | 5.0 V |
| | LD29150PTR | ADJ |

Contents

- 1 Diagram 3**
- 2 Pin configuration 4**
- 3 Typical application 5**
- 4 Maximum ratings 6**
- 5 Electrical characteristics 7**
- 6 Typical characteristics 12**
- 7 Package information 15**
 - 7.1 DPAK package information 15
 - 7.2 PPAK package information 18
- 8 Packaging information 20**
 - 8.1 PPAK and DPAK packaging information 20
- 9 Revision history 22**

1 Diagram

Figure 1. Schematic diagram for adjustable version

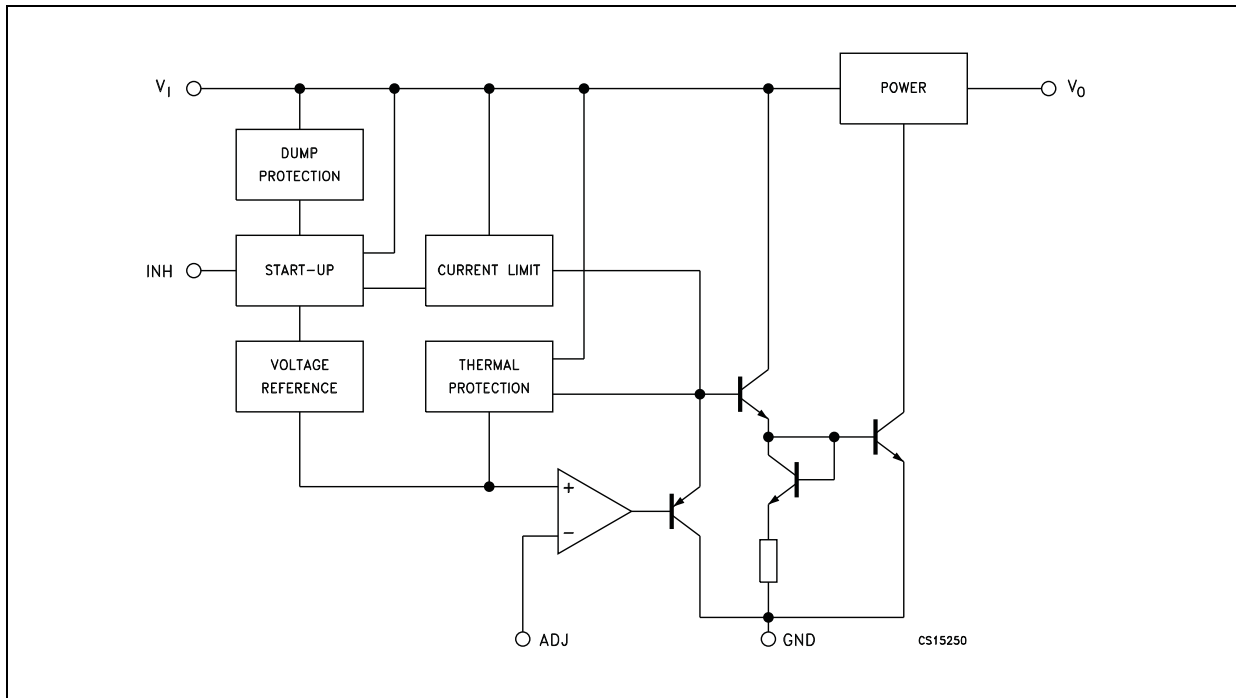
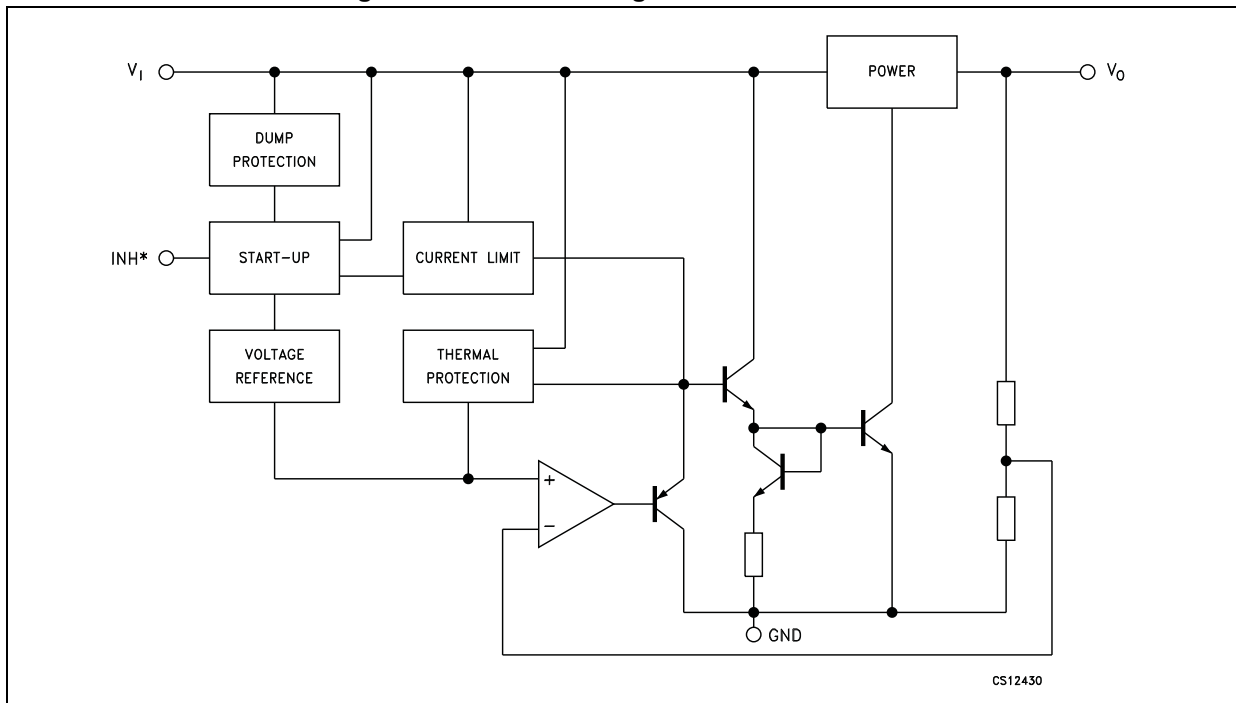


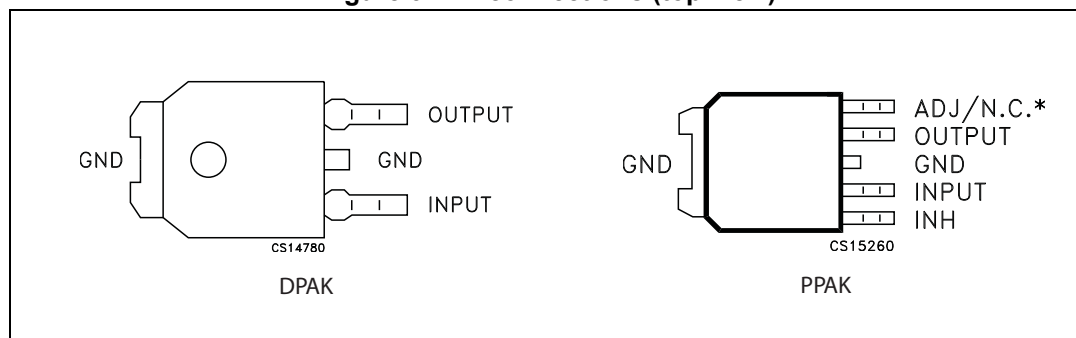
Figure 2. Schematic diagram for fixed version



* Only for version with inhibit function.

2 Pin configuration

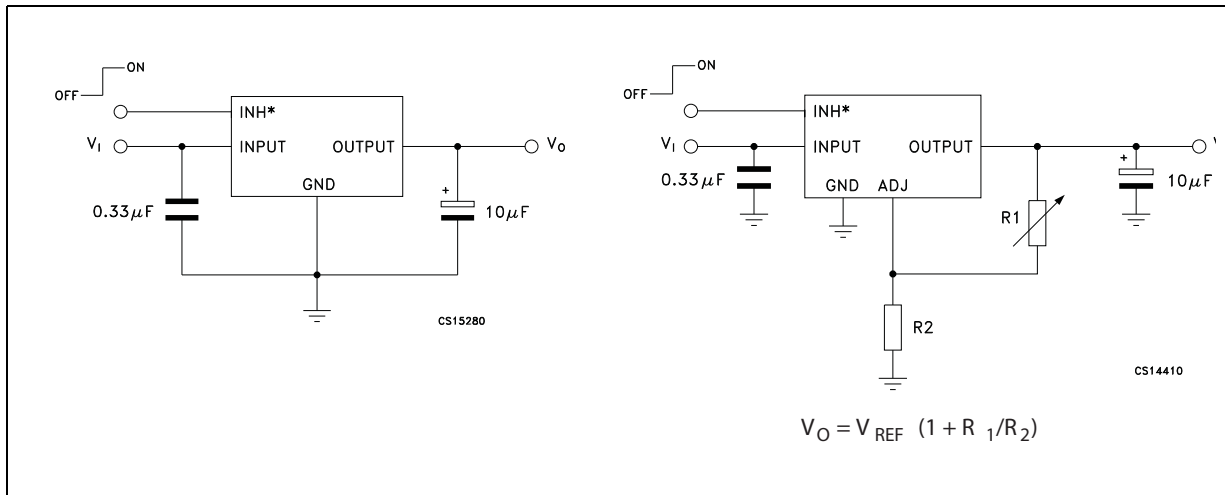
Figure 3. Pin connections (top view)



* Not connected for fixed version.

3 Typical application

Figure 4. Application circuit



* Only for version with inhibit function.

4 Maximum ratings

Table 2. Absolute maximum ratings

| Symbol | Parameter | Value | Unit |
|-----------|--------------------------------------|--------------------|------|
| V_I | DC input voltage | 30 ⁽¹⁾ | V |
| V_O | DC output voltage | -0.3 to 20 | V |
| V_{INH} | Inhibit input voltage | -0.3 to 20 | V |
| I_O | Output current | Internally limited | mA |
| P_D | Power dissipation | Internally limited | mW |
| T_{STG} | Storage temperature range | -55 to 150 | °C |
| T_{OP} | Operating junction temperature range | -40 to 125 | °C |

1. Above 14 V the device is automatically in shut-down.

Note: Absolute maximum ratings are those values beyond which damage to the device may occur. Functional operation under these conditions is not implied.

Table 3. Thermal data

| Symbol | Parameter | DPAK | PPAK | Unit |
|------------|-------------------------------------|------|------|------|
| R_{thJA} | Thermal resistance junction-ambient | 100 | 100 | °C/W |
| R_{thJC} | Thermal resistance junction-case | 8 | 8 | °C/W |

5 Electrical characteristics

$I_O = 10 \text{ mA}$, $T_J = 25 \text{ °C}$, $V_I = 3.8 \text{ V}$, $V_{INH} = 2 \text{ V}$ (*Note 3*), $C_I = 330 \text{ nF}$, $C_O = 10 \text{ }\mu\text{F}$, unless otherwise specified.

Table 4. Electrical characteristics of LD29150#18

| Symbol | Parameter | Test conditions | Min. | Typ. | Max. | Unit |
|--------------|--------------------------|---|-------|------|-------|---------------------|
| V_O | Output voltage | $I_O = 10 \text{ mA to } 1.5 \text{ A}$, $V_I = 3 \text{ to } 7.3 \text{ V}$ $T_J = -40 \text{ to } 125 \text{ °C}$ | 1.782 | 1.8 | 1.818 | V |
| | | | 1.764 | | 1.836 | |
| ΔV_O | Load regulation | $I_O = 10 \text{ mA to } 1.5 \text{ A}$ | | 0.2 | 1.0 | % |
| ΔV_O | Line regulation | $V_I = 3 \text{ to } 13 \text{ V}$ | | 0.06 | 0.5 | % |
| SVR | Supply voltage rejection | $f = 120 \text{ Hz}$, $V_I = 3.8 \pm 1 \text{ V}$, $I_O = 0.75 \text{ A}$ (<i>Note 1</i>) | 62 | 72 | | dB |
| V_{DROD} | Dropout voltage | $I_O = 250 \text{ mA}$, $T_J = -40 \text{ to } 125 \text{ °C}$ (<i>Note 2</i>) | | 0.1 | | V |
| | | $I_O = 0.75 \text{ A}$, $T_J = -40 \text{ to } 125 \text{ °C}$ (<i>Note 2</i>) | | 0.2 | | |
| | | $I_O = 1.5 \text{ A}$, $T_J = -40 \text{ to } 125 \text{ °C}$ (<i>Note 2</i>) | | 0.4 | 0.7 | |
| I_q | Quiescent current | $I_O = 0.75 \text{ A}$, $T_J = -40 \text{ to } 125 \text{ °C}$ | | 15 | 40 | mA |
| | | $I_O = 1.5 \text{ A}$, $T_J = -40 \text{ to } 125 \text{ °C}$ | | 30 | 80 | |
| | | $V_I = 13 \text{ V}$, $V_{INH} = \text{GND}$, $T_J = -40 \text{ to } 125 \text{ °C}$ | | 130 | 180 | μA |
| I_{sc} | Short circuit current | $V_I - V_O = 5.5 \text{ V}$ | | 2.2 | | A |
| V_{IL} | Control input logic low | OFF MODE, (<i>Note 3</i>), $T_J = -40 \text{ to } 125 \text{ °C}$ | | | 0.8 | V |
| V_{IH} | Control input logic high | ON MODE, (<i>Note 3</i>), $T_J = -40 \text{ to } 125 \text{ °C}$ | 2 | | | V |
| I_{INH} | Control input current | $T_J = -40 \text{ to } 125 \text{ °C}$, $V_{INH} = 13 \text{ V}$ | | 5 | 10 | μA |
| eN | Output noise voltage | $B_P = 10 \text{ Hz to } 100 \text{ kHz}$, $I_O = 100 \text{ mA}$ (<i>Note 1</i>) | | 72 | | μV_{RMS} |
| T_{SHDN} | Thermal shutdown | | | 150 | | $^{\circ}\text{C}$ |

Note: 1 Guaranteed by design.

2 Dropout voltage is defined as the input-to-output differential when the output voltage drops to 99 % of its nominal value with $V_O + 1 \text{ V}$ applied to V_I .

3 Only for version with Inhibit function.

$I_O = 10 \text{ mA}$, $T_J = 25 \text{ }^\circ\text{C}$, $V_I = 4.5 \text{ V}$, $V_{INH} = 2 \text{ V}$ (Note 3), $C_I = 330 \text{ nF}$, $C_O = 10 \text{ } \mu\text{F}$, unless otherwise specified.

Table 5. Electrical characteristics of LD29150#25

| Symbol | Parameter | Test conditions | Min. | Typ. | Max. | Unit |
|--------------|--------------------------|---|-------|------|-------|---------------------|
| V_O | Output voltage | $I_O = 10 \text{ mA to } 1.5 \text{ A}$, $V_I = 3.5 \text{ to } 8 \text{ V}$ $T_J = -40 \text{ to } 125 \text{ }^\circ\text{C}$ | 2.475 | 2.5 | 2.525 | V |
| | | | 2.45 | | 2.55 | |
| ΔV_O | Load regulation | $I_O = 10 \text{ mA to } 1.5 \text{ A}$ | | 0.2 | 1.0 | % |
| ΔV_O | Line regulation | $V_I = 3.5 \text{ to } 13 \text{ V}$ | | 0.06 | 0.5 | % |
| SVR | Supply voltage rejection | $f = 120 \text{ Hz}$, $V_I = 4.5 \pm 1 \text{ V}$, $I_O = 0.75 \text{ A}$ (Note 1) | 55 | 70 | | dB |
| V_{DROP} | Dropout voltage | $I_O = 250 \text{ mA}$, $T_J = -40 \text{ to } 125 \text{ }^\circ\text{C}$ (Note 2) | | 0.1 | | V |
| | | $I_O = 0.75 \text{ A}$, $T_J = -40 \text{ to } 125 \text{ }^\circ\text{C}$ (Note 2) | | 0.2 | | |
| | | $I_O = 1.5 \text{ A}$, $T_J = -40 \text{ to } 125 \text{ }^\circ\text{C}$ (Note 2) | | 0.4 | 0.7 | |
| I_q | Quiescent current | $I_O = 0.75 \text{ A}$, $T_J = -40 \text{ to } 125 \text{ }^\circ\text{C}$ | | 15 | 40 | mA |
| | | $I_O = 1.5 \text{ A}$, $T_J = -40 \text{ to } 125 \text{ }^\circ\text{C}$ | | 30 | 80 | |
| | | $V_I = 13 \text{ V}$, $V_{INH} = \text{GND}$, $T_J = -40 \text{ to } 125 \text{ }^\circ\text{C}$ | | 130 | 180 | μA |
| I_{sc} | Short circuit current | $V_I - V_O = 5.5 \text{ V}$ | | 2.2 | | A |
| V_{IL} | Control input logic low | OFF MODE, (Note 3), $T_J = -40 \text{ to } 125 \text{ }^\circ\text{C}$ | | | 0.8 | V |
| V_{IH} | Control input logic high | ON MODE, (Note 3), $T_J = -40 \text{ to } 125 \text{ }^\circ\text{C}$ | 2 | | | V |
| I_{INH} | Control input current | $T_J = -40 \text{ to } 125 \text{ }^\circ\text{C}$, $V_{INH} = 13 \text{ V}$ | | 5 | 10 | μA |
| eN | Output noise voltage | $B_P = 10 \text{ Hz to } 100 \text{ kHz}$, $I_O = 100 \text{ mA}$ (Note 1) | | 100 | | μV_{RMS} |
| T_{SHDN} | Thermal shutdown | | | 150 | | $^\circ\text{C}$ |

Note: 1 Guaranteed by design.

2 Dropout voltage is defined as the input-to-output differential when the output voltage drops to 99% of its nominal value with $V_O + 1 \text{ V}$ applied to V_I .

3 Only for version with Inhibit function.

$I_O = 10 \text{ mA}$, $T_J = 25 \text{ }^\circ\text{C}$, $V_I = 5.3 \text{ V}$, $V_{INH} = 2 \text{ V}$ (Note 3), $C_I = 330 \text{ nF}$, $C_O = 10 \text{ } \mu\text{F}$, unless otherwise specified.

Table 6. Electrical characteristics of LD29150#33

| Symbol | Parameter | Test conditions | Min. | Typ. | Max. | Unit |
|--------------|--------------------------|---|-------|------|-------|---------------------|
| V_O | Output voltage | $I_O = 10 \text{ mA to } 1.5 \text{ A}$, $V_I = 4.3 \text{ to } 8.8 \text{ V}$ $T_J = -40 \text{ to } 125 \text{ }^\circ\text{C}$ | 3.267 | 3.3 | 3.333 | V |
| | | | 3.234 | | 3.366 | |
| ΔV_O | Load regulation | $I_O = 10 \text{ mA to } 1.5 \text{ A}$ | | 0.2 | 1.0 | % |
| ΔV_O | Line regulation | $V_I = 4.3 \text{ to } 13 \text{ V}$ | | 0.06 | 0.5 | % |
| SVR | Supply voltage rejection | $f = 120 \text{ Hz}$, $V_I = 5.3 \pm 1 \text{ V}$, $I_O = 0.75 \text{ A}$ (Note 1) | 52 | 67 | | dB |
| V_{DROP} | Dropout voltage | $I_O = 250 \text{ mA}$, $T_J = -40 \text{ to } 125 \text{ }^\circ\text{C}$ (Note 2) | | 0.1 | | V |
| | | $I_O = 0.75 \text{ A}$, $T_J = -40 \text{ to } 125 \text{ }^\circ\text{C}$ (Note 2) | | 0.2 | | |
| | | $I_O = 1.5 \text{ A}$, $T_J = -40 \text{ to } 125 \text{ }^\circ\text{C}$ (Note 2) | | 0.4 | 0.7 | |
| I_q | Quiescent current | $I_O = 0.75 \text{ A}$, $T_J = -40 \text{ to } 125 \text{ }^\circ\text{C}$ | | 15 | 40 | mA |
| | | $I_O = 1.5 \text{ A}$, $T_J = -40 \text{ to } 125 \text{ }^\circ\text{C}$ | | 30 | 80 | |
| | | $V_I = 13 \text{ V}$, $V_{INH} = \text{GND}$, $T_J = -40 \text{ to } 125 \text{ }^\circ\text{C}$ | | 130 | 180 | μA |
| I_{sc} | Short circuit current | $V_I - V_O = 5.5 \text{ V}$ | | 2.2 | | A |
| V_{IL} | Control input logic low | OFF MODE, (Note 3), $T_J = -40 \text{ to } 125 \text{ }^\circ\text{C}$ | | | 0.8 | V |
| V_{IH} | Control input logic high | ON MODE, (Note 3), $T_J = -40 \text{ to } 125 \text{ }^\circ\text{C}$ | 2 | | | V |
| I_{INH} | Control input current | $T_J = -40 \text{ to } 125 \text{ }^\circ\text{C}$, $V_{INH} = 13 \text{ V}$ | | 5 | 10 | μA |
| eN | Output noise voltage | $B_P = 10 \text{ Hz to } 100 \text{ kHz}$, $I_O = 100 \text{ mA}$ (Note 1) | | 132 | | μV_{RMS} |
| T_{SHDN} | Thermal shutdown | | | 150 | | $^\circ\text{C}$ |

Note: 1 Guaranteed by design.

2 Dropout voltage is defined as the input-to-output differential when the output voltage drops to 99 % of its nominal value with $V_O + 1 \text{ V}$ applied to V_I .

3 Only for version with Inhibit function.

$I_O = 10 \text{ mA}$, $T_J = 25 \text{ }^\circ\text{C}$, $V_I = 7 \text{ V}$, $V_{INH} = 2 \text{ V}$ (*Note 3*), $C_I = 330 \text{ nF}$, $C_O = 10 \text{ } \mu\text{F}$, unless otherwise specified.

Table 7. Electrical characteristics of LD29150#50

| Symbol | Parameter | Test conditions | Min. | Typ. | Max. | Unit |
|--------------|--------------------------|--|------|------|------|---------------------|
| V_O | Output voltage | $I_O = 10 \text{ mA to } 1.5 \text{ A}$, $V_I = 6 \text{ to } 10.5 \text{ V}$ $T_J = -40 \text{ to } 125 \text{ }^\circ\text{C}$ | 4.95 | 5 | 5.05 | V |
| | | | 4.9 | | 5.1 | |
| ΔV_O | Load regulation | $I_O = 10 \text{ mA to } 1.5 \text{ A}$ | | 0.2 | 1.0 | % |
| ΔV_O | Line regulation | $V_I = 6 \text{ to } 13 \text{ V}$ | | 0.06 | 0.5 | % |
| SVR | Supply voltage rejection | $f = 120 \text{ Hz}$, $V_I = 7 \pm 1 \text{ V}$, $I_O = 0.75 \text{ A}$ (<i>Note 1</i>) | 49 | 64 | | dB |
| V_{DROP} | Dropout voltage | $I_O = 250 \text{ mA}$, $T_J = -40 \text{ to } 125 \text{ }^\circ\text{C}$ (<i>Note 2</i>) | | 0.1 | | V |
| | | $I_O = 0.75 \text{ A}$, $T_J = -40 \text{ to } 125 \text{ }^\circ\text{C}$ (<i>Note 2</i>) | | 0.2 | | |
| | | $I_O = 1.5 \text{ A}$, $T_J = -40 \text{ to } 125 \text{ }^\circ\text{C}$ (<i>Note 2</i>) | | 0.4 | 0.7 | |
| I_q | Quiescent current | $I_O = 0.75 \text{ A}$, $T_J = -40 \text{ to } 125 \text{ }^\circ\text{C}$ | | 15 | 40 | mA |
| | | $I_O = 1.5 \text{ A}$, $T_J = -40 \text{ to } 125 \text{ }^\circ\text{C}$ | | 30 | 80 | |
| | | $V_I = 13 \text{ V}$, $V_{INH} = \text{GND}$, $T_J = -40 \text{ to } 125 \text{ }^\circ\text{C}$ | | 130 | 180 | μA |
| I_{sc} | Short circuit current | $V_I - V_O = 5.5 \text{ V}$ | | 2.2 | | A |
| V_{IL} | Control input logic low | OFF MODE, (<i>Note 3</i>), $T_J = -40 \text{ to } 125 \text{ }^\circ\text{C}$ | | | 0.8 | V |
| V_{IH} | Control input logic high | ON MODE, (<i>Note 3</i>), $T_J = -40 \text{ to } 125 \text{ }^\circ\text{C}$ | 2 | | | V |
| I_{INH} | Control input current | $T_J = -40 \text{ to } 125 \text{ }^\circ\text{C}$, $V_{INH} = 13 \text{ V}$ | | 5 | 10 | μA |
| eN | Output noise voltage | $B_P = 10 \text{ Hz to } 100 \text{ kHz}$, $I_O = 100 \text{ mA}$ (<i>Note 1</i>) | | 200 | | μV_{RMS} |
| T_{SHDN} | Thermal shutdown | | | 150 | | $^\circ\text{C}$ |

Note: 1 Guaranteed by design.

2 Dropout voltage is defined as the input-to-output differential when the output voltage drops to 99 % of its nominal value with $V_O + 1 \text{ V}$ applied to V_I .

3 Only for version with Inhibit function.

$I_O = 10 \text{ mA}$, $T_J = 25 \text{ }^\circ\text{C}$, $V_I = 3.23 \text{ V}$, $V_{INH} = 2 \text{ V}$ (*Note 3*), $C_I = 330 \text{ nF}$, $C_O = 10 \text{ } \mu\text{F}$ adjust pin tied to output pin.

Table 8. Electrical characteristics of LD29150#ADJ

| Symbol | Parameter | Test conditions | Min. | Typ. | Max. | Unit |
|--------------|---------------------------------|--|------|------|------|---------------------|
| V_I | Minimum operating input voltage | $I_O = 10 \text{ mA}$ to 1.5 A , $T_J = -40$ to $125 \text{ }^\circ\text{C}$ | 2.5 | | | V |
| ΔV_O | Load regulation | $I_O = 10 \text{ mA}$ to 1.5 A | | 0.2 | 1.0 | % |
| ΔV_O | Line regulation | $V_I = 2.5 \text{ V}$ to 13 V , $I_O = 10 \text{ mA}$ | | 0.06 | 0.5 | % |
| V_{REF} | Reference voltage | $I_O = 10 \text{ mA}$ to 1.5 A , $V_I = 2.5$ to 4.5 V $T_J = -40$ to $125 \text{ }^\circ\text{C}$ (<i>Note 2</i>) | -1% | 1.23 | +1% | V |
| | | | -2% | | +2% | |
| SVR | Supply voltage rejection | $f = 120 \text{ Hz}$, $V_I = 3.23 \pm 1 \text{ V}$, $I_O = 0.75 \text{ A}$ (<i>Note 1</i>) | 45 | 75 | | dB |
| I_q | Quiescent current | $I_O = 0.75 \text{ A}$, $T_J = -40$ to $125 \text{ }^\circ\text{C}$ | | 15 | 40 | mA |
| | | $I_O = 1.5 \text{ A}$, $T_J = -40$ to $125 \text{ }^\circ\text{C}$ | | 30 | 80 | |
| | | $V_I = 13 \text{ V}$, $V_{INH} = \text{GND}$, $T_J = -40$ to $125 \text{ }^\circ\text{C}$ | | 130 | 180 | μA |
| I_{ADJ} | Adjust pin current | $T_J = -40$ to $125 \text{ }^\circ\text{C}$ (<i>Note 1</i>) | | | 1 | μA |
| I_{sc} | Short circuit current | $V_I - V_O = 5.5 \text{ V}$ | | 2.2 | | A |
| V_{IL} | Control input logic low | OFF MODE, (<i>Note 3</i>), $T_J = -40$ to $125 \text{ }^\circ\text{C}$ | | | 0.8 | V |
| V_{IH} | Control input logic high | ON MODE, (<i>Note 3</i>), $T_J = -40$ to $125 \text{ }^\circ\text{C}$ | 2 | | | V |
| I_{INH} | Control input current | $T_J = -40$ to $125 \text{ }^\circ\text{C}$, $V_{INH} = 13 \text{ V}$ | | 5 | 10 | μA |
| eN | Output noise voltage | $B_P = 10 \text{ Hz}$ to 100 kHz , $I_O = 100 \text{ mA}$ (<i>Note 1</i>) | | 50 | | μV_{RMS} |
| T_{SHDN} | Thermal shutdown | | | 150 | | $^\circ\text{C}$ |

Note: 1 Guaranteed by design.

2 Reference voltage is measured between output and GND pin, with ADJ PIN tied to V_{OUT} .

3 Only for version with Inhibit function.

6 Typical characteristics

Figure 5. Output voltage vs. temperature

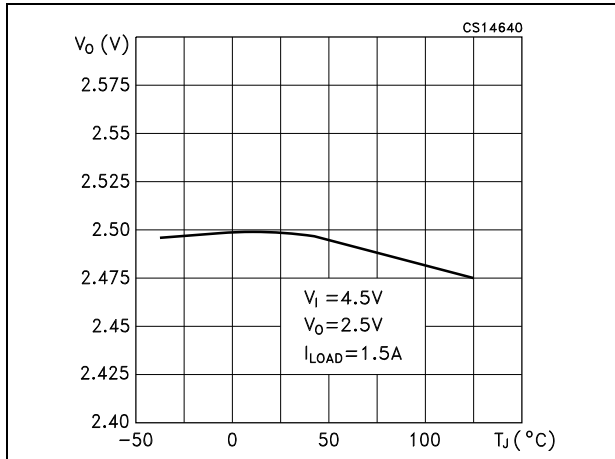


Figure 6. Reference voltage vs. temperature

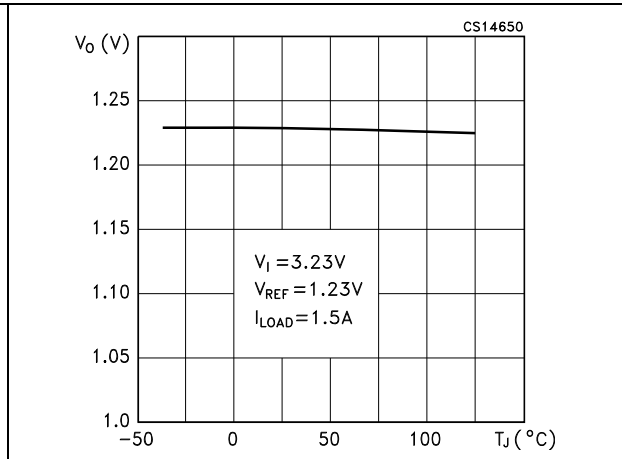


Figure 7. Dropout voltage vs. temperature

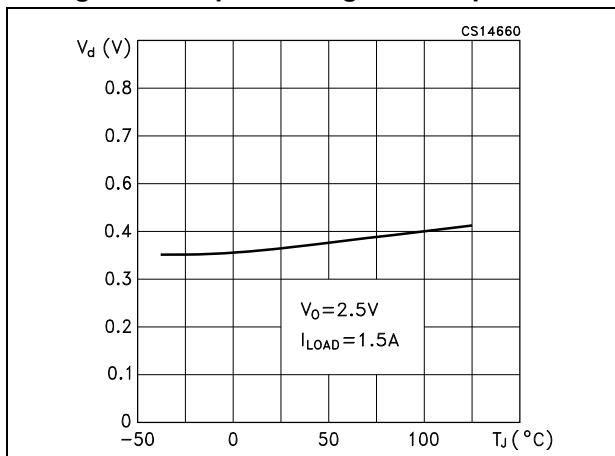


Figure 8. Dropout voltage vs. output current

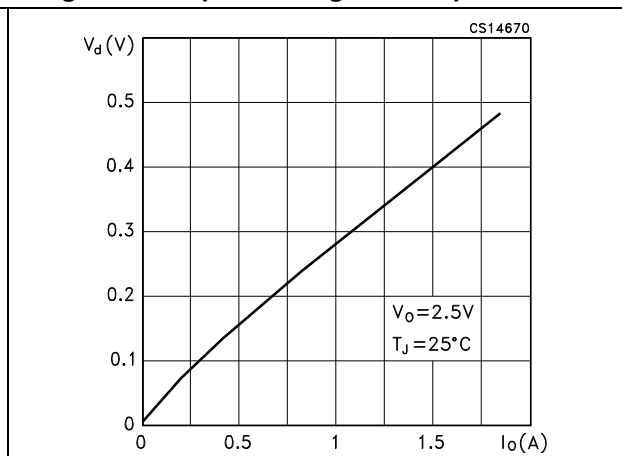


Figure 9. Quiescent current vs. output current
($V_i = 13\text{ V}$)

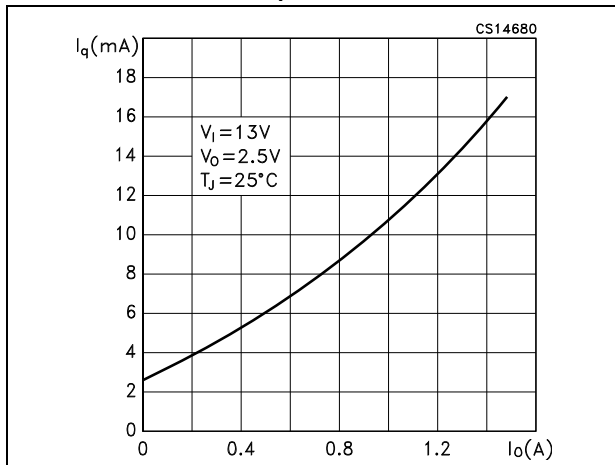


Figure 10. Quiescent current vs. output current
($V_i = 4.5\text{ V}$)

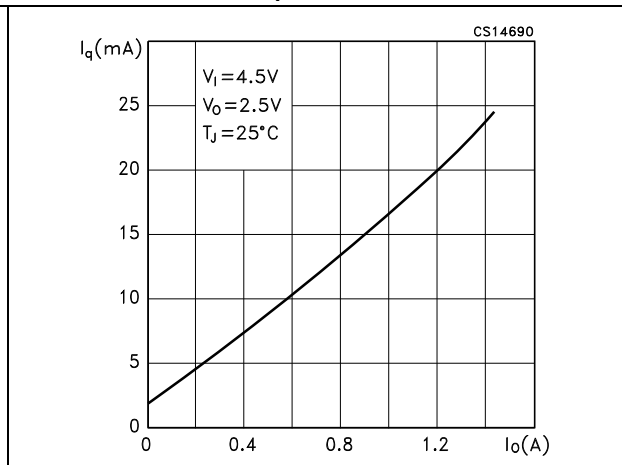


Figure 11. Quiescent current vs. supply voltage

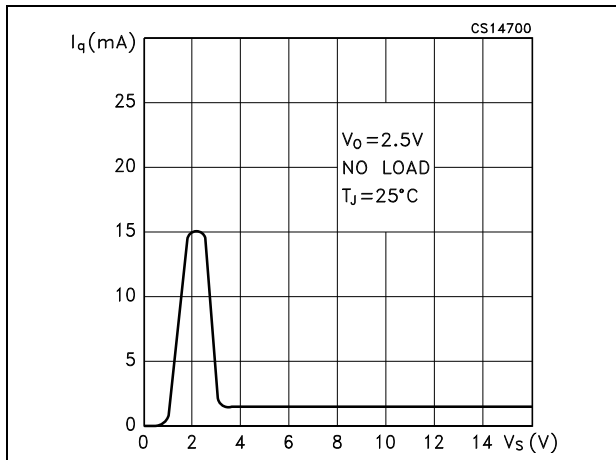


Figure 12. Quiescent current vs. temperature (Io = 10 mA)

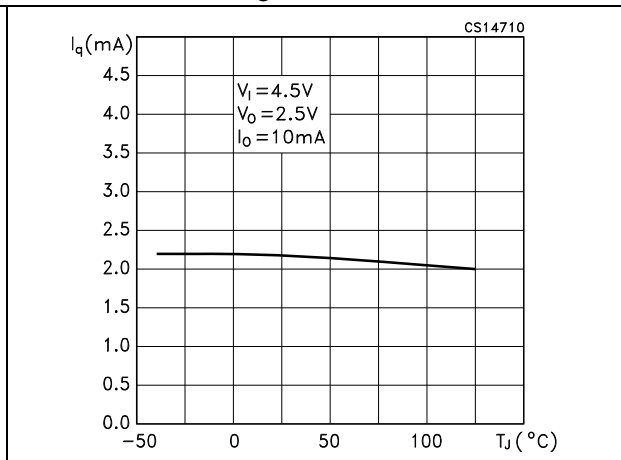


Figure 13. Quiescent current vs. temperature (Io = 1.5 A)

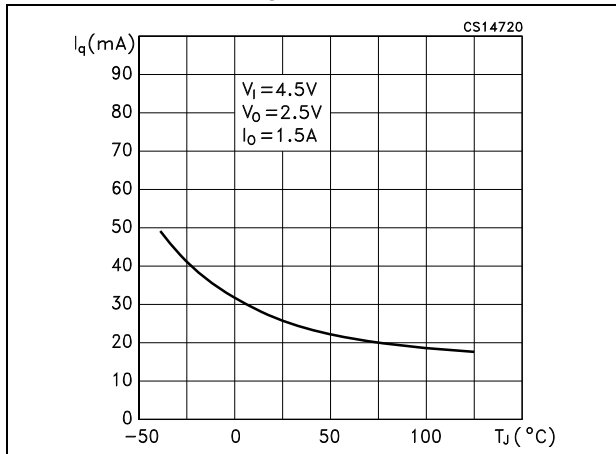


Figure 14. Short circuit current vs. temperature

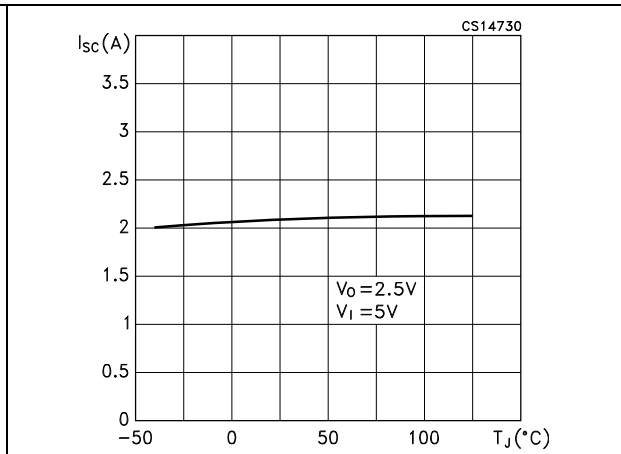


Figure 15. Adjust pin current vs. temperature

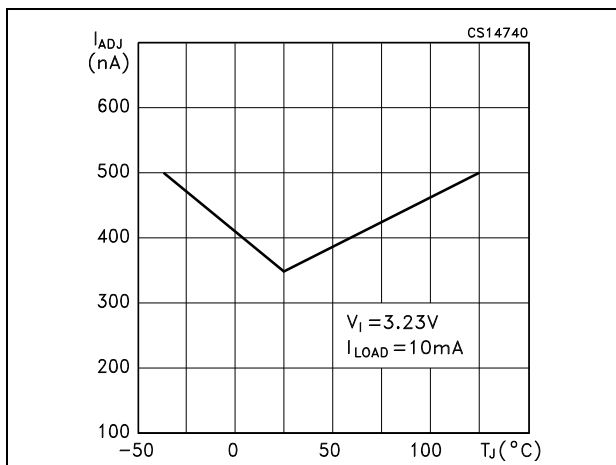


Figure 16. Supply voltage rejection vs. temperature

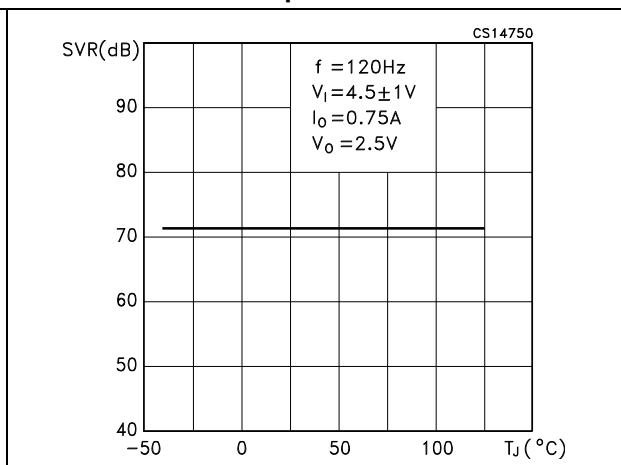


Figure 17. Output voltage vs. input voltage

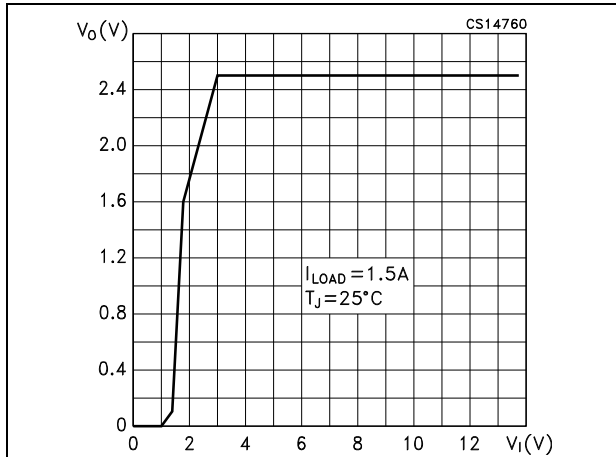


Figure 18. Stability vs. Co

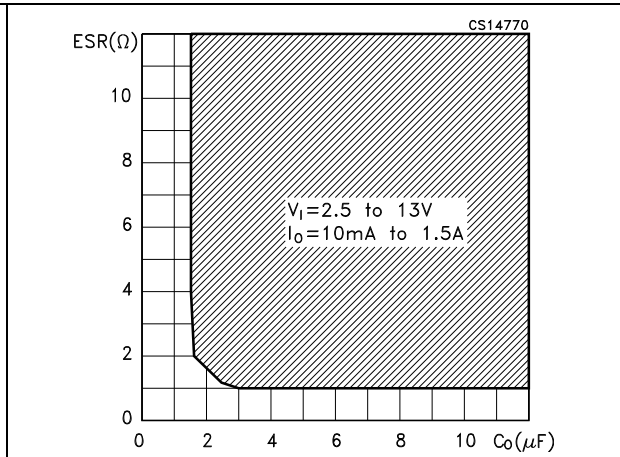
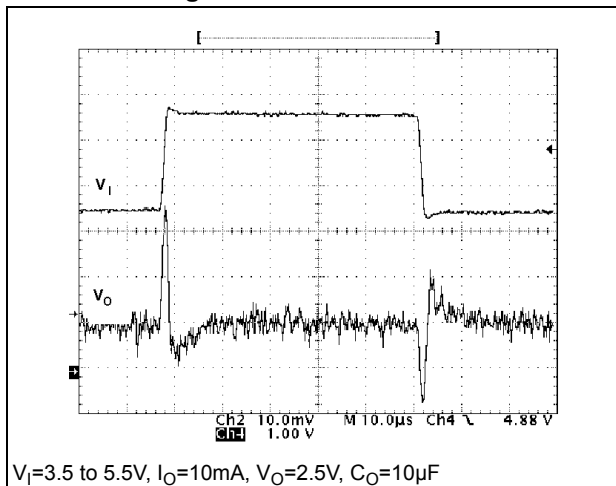
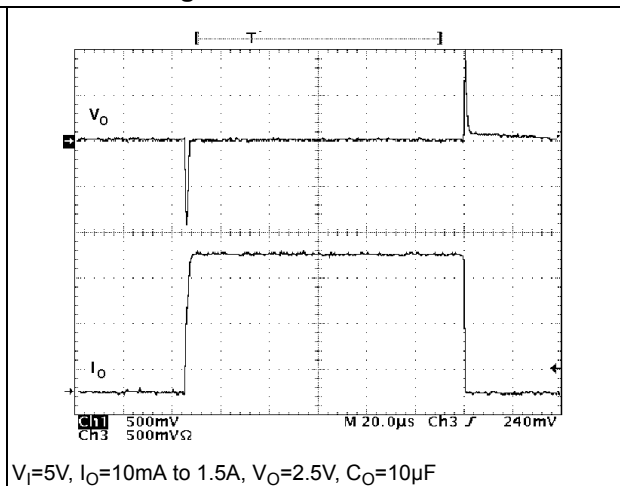


Figure 19. Line transient



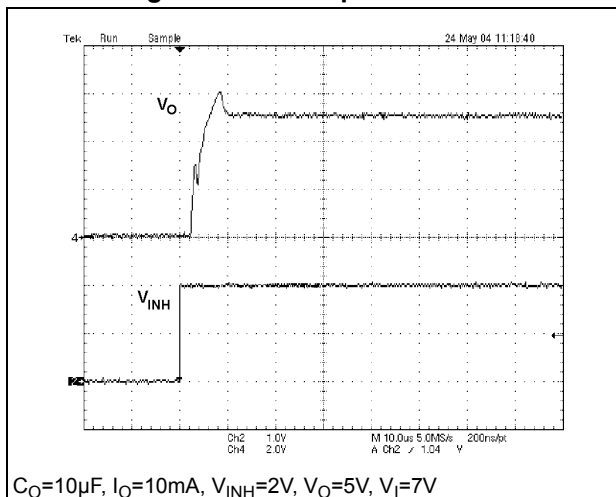
$V_I=3.5$ to $5.5V$, $I_O=10mA$, $V_O=2.5V$, $C_O=10\mu F$

Figure 20. Load transient



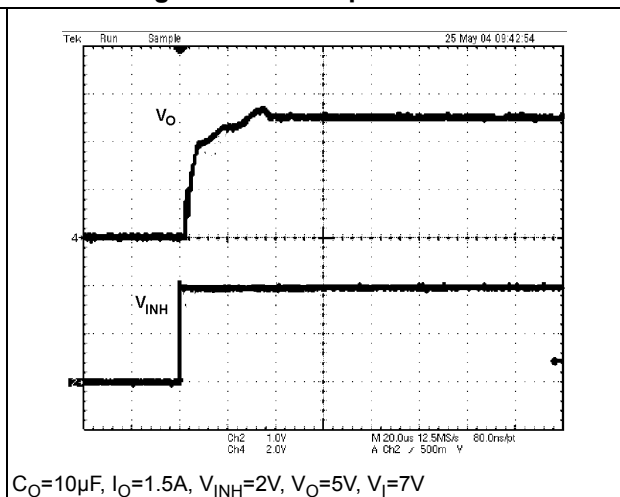
$V_I=5V$, $I_O=10mA$ to $1.5A$, $V_O=2.5V$, $C_O=10\mu F$

Figure 21. Start-up time 10 mA



$C_O=10\mu F$, $I_O=10mA$, $V_{INH}=2V$, $V_O=5V$, $V_I=7V$

Figure 22. Start-up time 1.5 A



$C_O=10\mu F$, $I_O=1.5A$, $V_{INH}=2V$, $V_O=5V$, $V_I=7V$

7 Package information

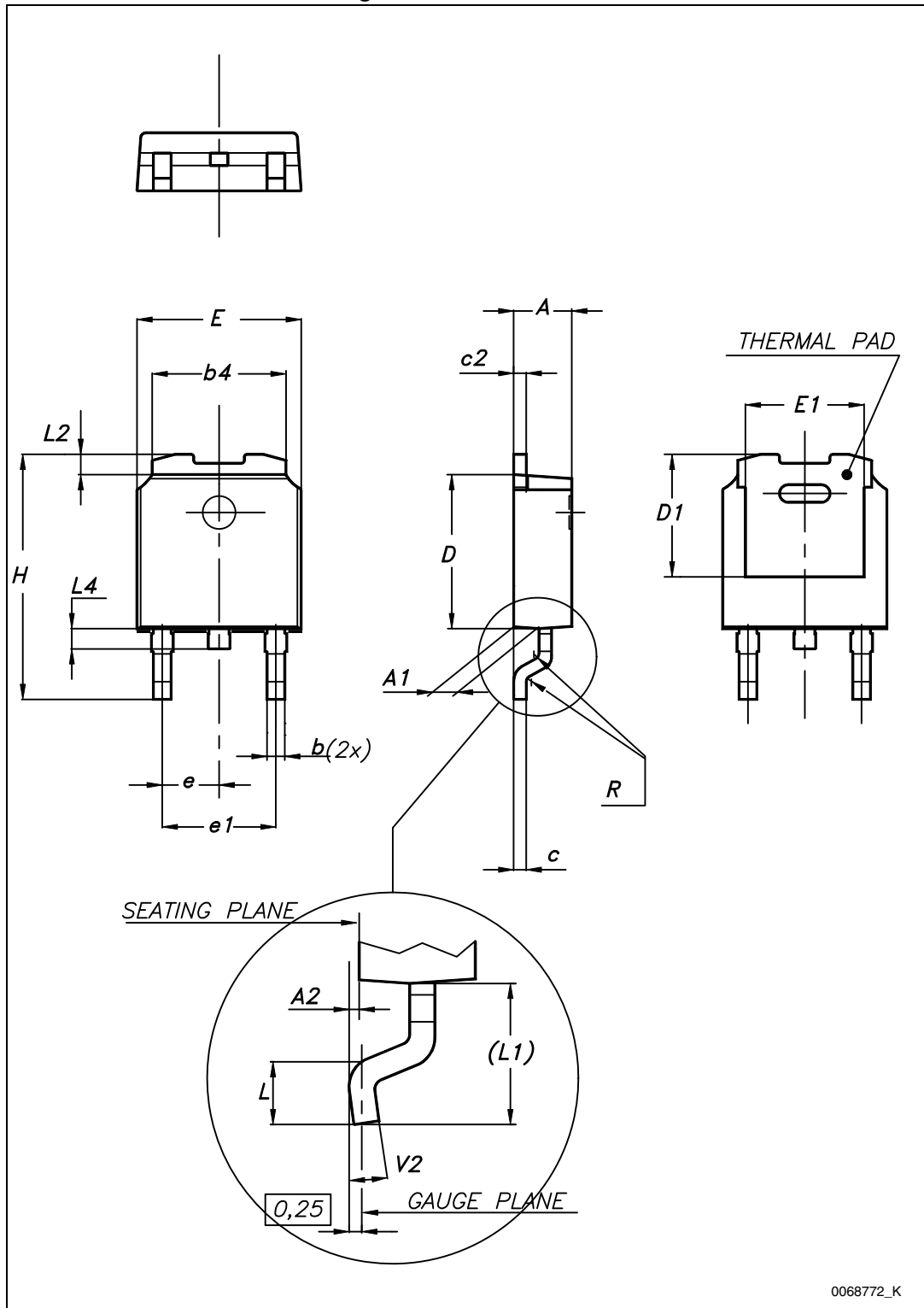
In order to meet environmental requirements, ST offers these devices in different grades of ECOPACK[®] packages, depending on their level of environmental compliance. ECOPACK[®] specifications, grade definitions and product status are available at: www.st.com. ECOPACK[®] is an ST trademark.

7.1 DPAK package information

Table 9. DPAK mechanical data

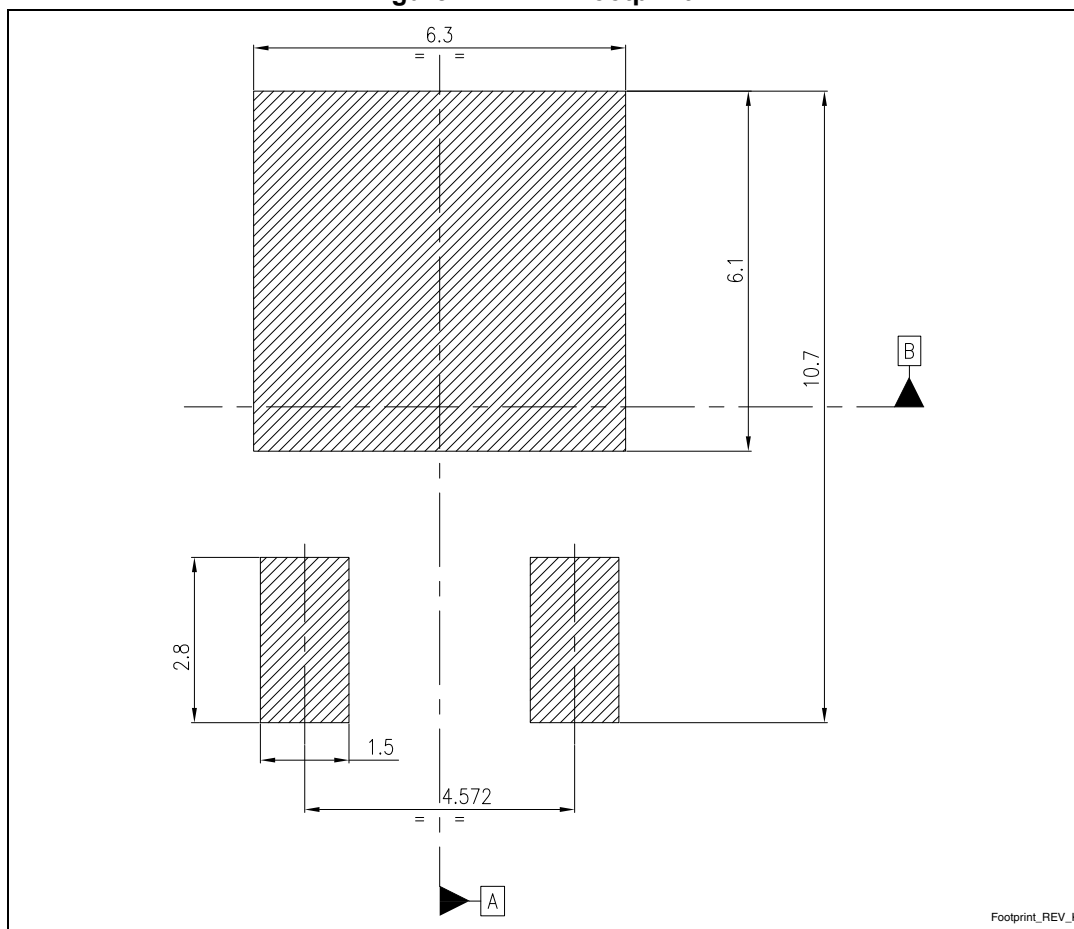
| Dim. | mm | | |
|------|------|------|-------|
| | Min. | Typ. | Max. |
| A | 2.20 | | 2.40 |
| A1 | 0.90 | | 1.10 |
| A2 | 0.03 | | 0.23 |
| b | 0.64 | | 0.90 |
| b4 | 5.20 | | 5.40 |
| c | 0.45 | | 0.60 |
| c2 | 0.48 | | 0.60 |
| D | 6.00 | | 6.20 |
| D1 | | 5.10 | |
| E | 6.40 | | 6.60 |
| E1 | | 4.70 | |
| e | | 2.28 | |
| e1 | 4.40 | | 4.60 |
| H | 9.35 | | 10.10 |
| L | 1.00 | | 1.50 |
| (L1) | | 2.80 | |
| L2 | | 0.80 | |
| L4 | 0.60 | | 1.00 |
| R | | 0.20 | |
| V2 | 0° | | 8° |

Figure 23. DPAK outline



0068772_K

Figure 24. DPAK footprint (a)



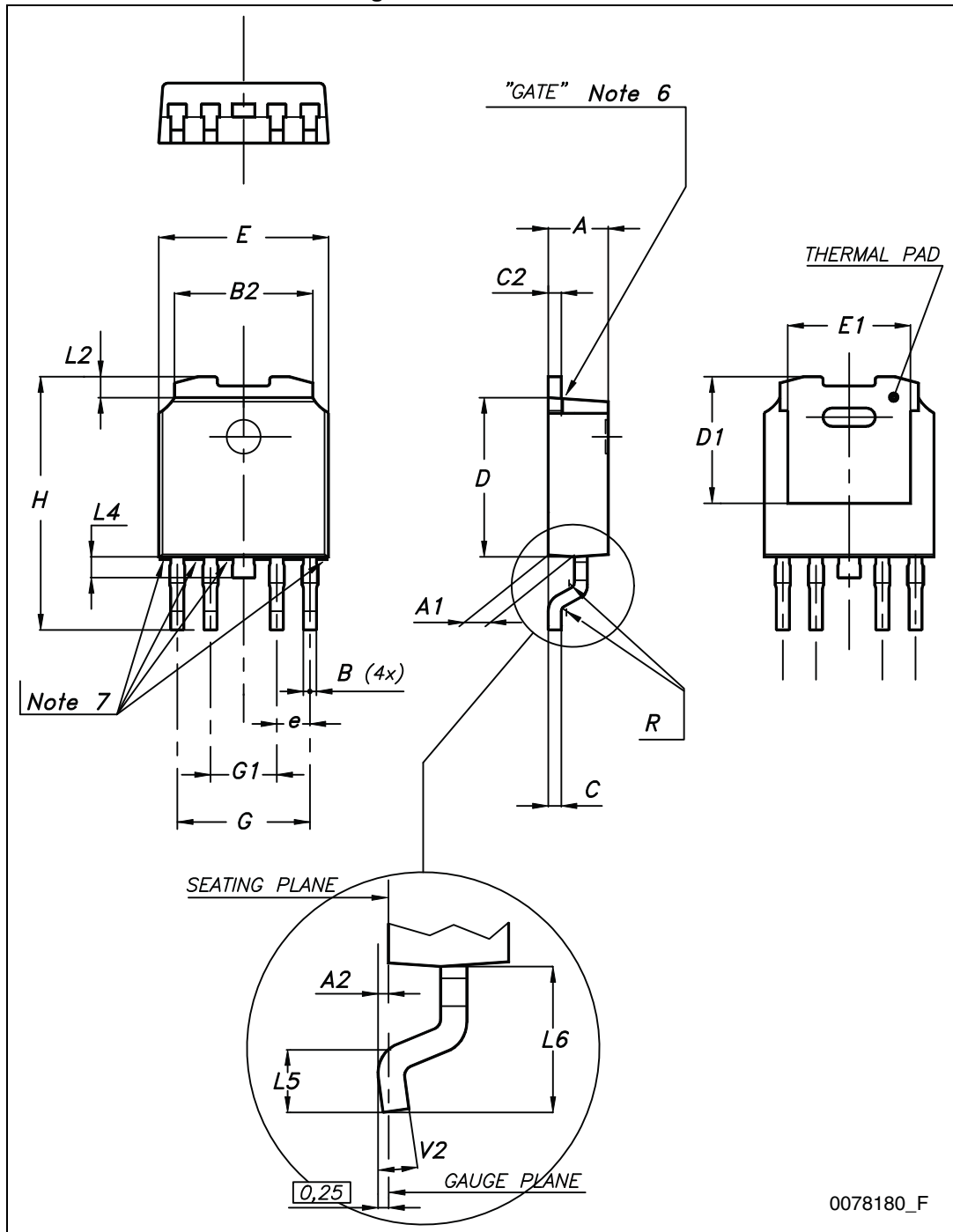
a. All dimensions are in millimeters

7.2 PPAK package information

Table 10. PPAK mechanical data

| Dim. | mm | | |
|------|------|------|------|
| | Min. | Typ. | Max. |
| A | 2.2 | | 2.4 |
| A1 | 0.9 | | 1.1 |
| A2 | 0.03 | | 0.23 |
| B | 0.4 | | 0.6 |
| B2 | 5.2 | | 5.4 |
| C | 0.45 | | 0.6 |
| C2 | 0.48 | | 0.6 |
| D | 6 | | 6.2 |
| D1 | | 5.1 | |
| E | 6.4 | | 6.6 |
| E1 | | 4.7 | |
| e | | 1.27 | |
| G | 4.9 | | 5.25 |
| G1 | 2.38 | | 2.7 |
| H | 9.35 | | 10.1 |
| L2 | | 0.8 | 1 |
| L4 | 0.6 | | 1 |
| L5 | 1 | | |
| L6 | | 2.8 | |
| R | | 0.20 | |
| V2 | 0° | | 8° |

Figure 25. PPAK outline



0078180_F

8 Packaging information

8.1 PPAK and DPAK packaging information

Table 11. PPAK and DPAK tape and reel mechanical data

| Tape | | | Reel | | |
|------|------|------|-----------|------|------|
| Dim. | mm | | Dim. | mm | |
| | Min. | Max. | | Min. | Max. |
| A0 | 6.8 | 7 | A | | 330 |
| B0 | 10.4 | 10.6 | B | 1.5 | |
| B1 | | 12.1 | C | 12.8 | 13.2 |
| D | 1.5 | 1.6 | D | 20.2 | |
| D1 | 1.5 | | G | 16.4 | 18.4 |
| E | 1.65 | 1.85 | N | 50 | |
| F | 7.4 | 7.6 | T | | 22.4 |
| K0 | 2.55 | 2.75 | | | |
| P0 | 3.9 | 4.1 | Base qty. | | 2500 |
| P1 | 7.9 | 8.1 | Bulk qty. | | 2500 |
| P2 | 1.9 | 2.1 | | | |
| R | 40 | | | | |
| T | 0.25 | 0.35 | | | |
| W | 15.7 | 16.3 | | | |

Figure 26. Tape for PPAK and DPAK

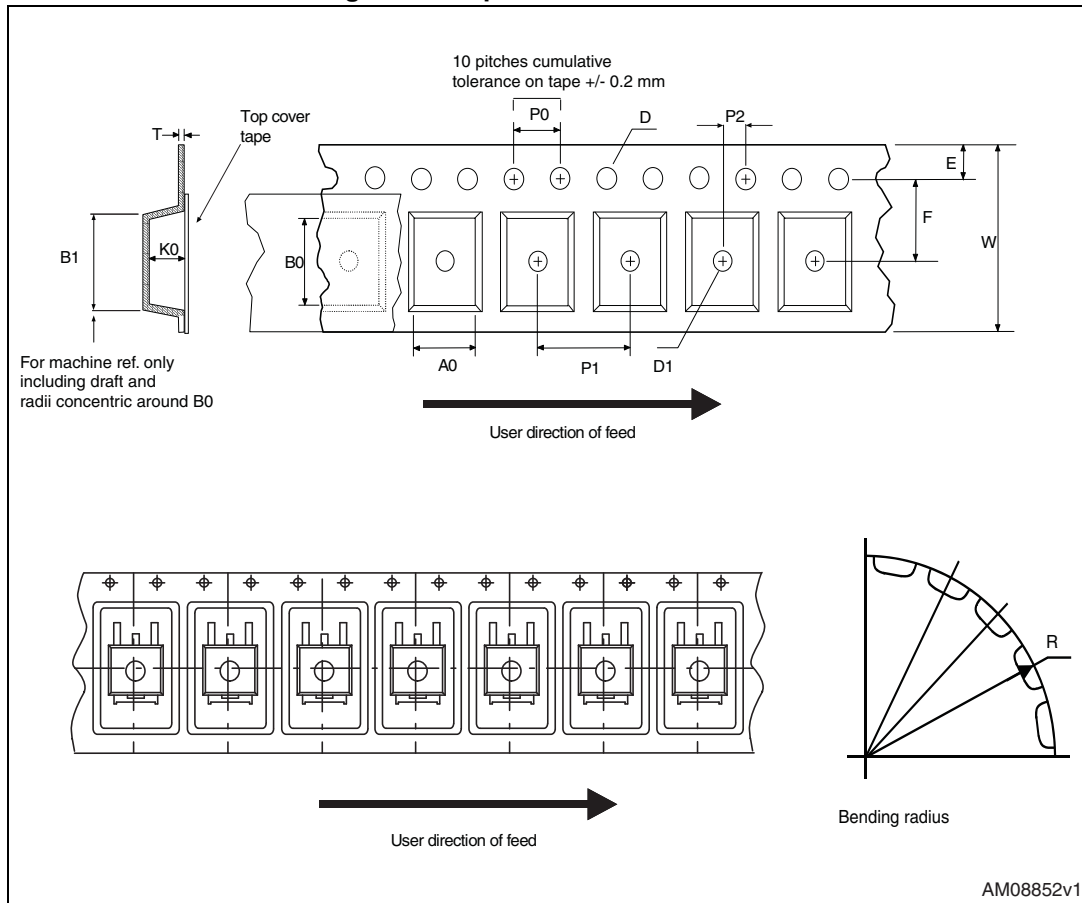
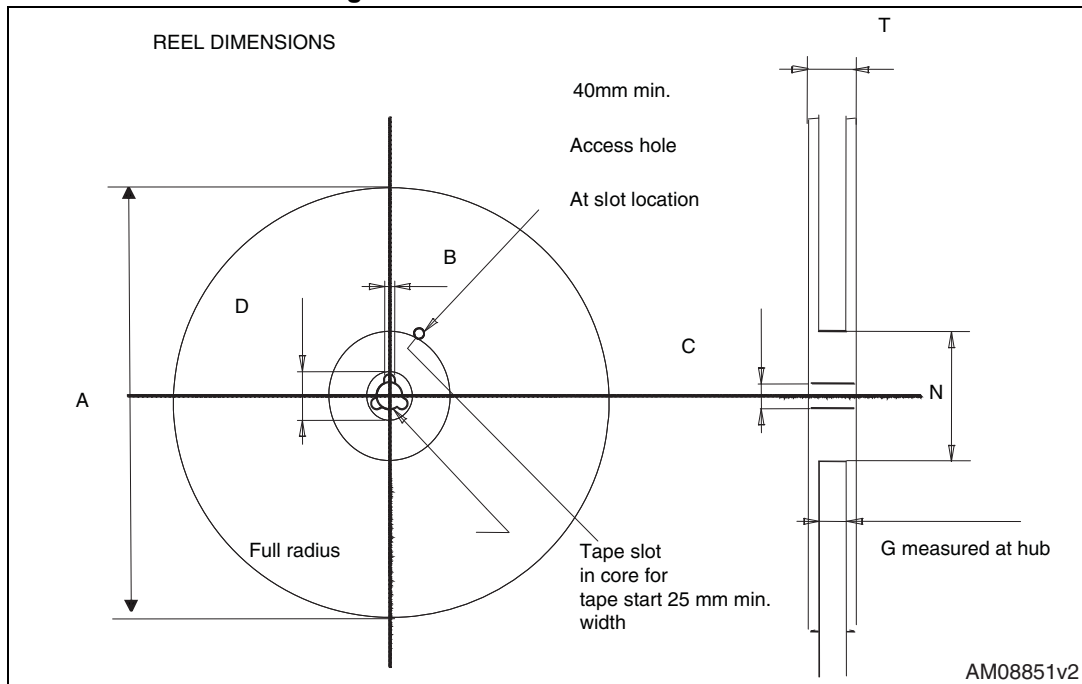


Figure 27. Reel for PPAK and DPAK



9 Revision history

Table 12. Document revision history

| Date | Revision | Changes |
|-------------|----------|---|
| 17-Jun-2004 | 5 | Add figures 20 and 21, PPAK, TO-220 and TO-220FP mechanical data updated. |
| 19-Jul-2004 | 6 | Remove Package TO-220FP4. |
| 08-Nov-2004 | 7 | Mistake Figure 7. |
| 21-Mar-2005 | 8 | Add V_O and V_{INH} on Table 2. |
| 21-Oct-2005 | 9 | Order Codes Has Been Updated. |
| 17-Oct-2006 | 10 | Add new package P ² PAK. |
| 13-Nov-2006 | 11 | Add row T_{SHDN} on tables of the electrical characteristics. |
| 11-May-2007 | 12 | Order codes updated. |
| 15-Feb-2008 | 13 | Added: Table 1 on page 1 . |
| 28-Jul-2009 | 14 | Modified: Table 1 on page 1 . |
| 22-Sep-2010 | 15 | Modified: Table 1 on page 1 . |
| 27-Oct-2010 | 16 | Updated: DPAK mechanical data on page 25 . |
| 07-May-2012 | 17 | Modified: pin connections for PPAK, P ² PAK and DPAK Figure 3 on page 4 . |
| 06-Sep-2012 | 18 | Updated: figure for P ² PAK in cover page. |
| 30-Oct-2013 | 19 | Changed the LD29150XX to LD29150. Updated: Description in cover page. Updated Section 5: Electrical characteristics and Section 7: Package mechanical data . Added Section 8: Packaging mechanical data . Minor text changes. |
| 30-Aug-2017 | 20 | Removed P ² PAK package option (order code LD29150P2T33R) |

IMPORTANT NOTICE – PLEASE READ CAREFULLY

STMicroelectronics NV and its subsidiaries (“ST”) reserve the right to make changes, corrections, enhancements, modifications, and improvements to ST products and/or to this document at any time without notice. Purchasers should obtain the latest relevant information on ST products before placing orders. ST products are sold pursuant to ST’s terms and conditions of sale in place at the time of order acknowledgement.

Purchasers are solely responsible for the choice, selection, and use of ST products and ST assumes no liability for application assistance or the design of Purchasers’ products.

No license, express or implied, to any intellectual property right is granted by ST herein.

Resale of ST products with provisions different from the information set forth herein shall void any warranty granted by ST for such product.



ST and the ST logo are trademarks of ST. All other product or service names are the property of their respective owners.

Information in this document supersedes and replaces information previously supplied in any prior versions of this document.

© 2017 STMicroelectronics – All rights reserved

Looking for pricing, stock, or lifecycle information?

Click below to explore more details on WIN SOURCE:

-  [View LD29150PT18R](#) on WIN SOURCE
-  [STMicroelectronics](#) Information

Optimize Your Supply Chain with WIN SOURCE Solutions

-  Global Sourcing Solution
-  Obsolete Management
-  Cost Control Management
-  Shortage Management
-  Alternative Solution
-  Excess Inventory Management