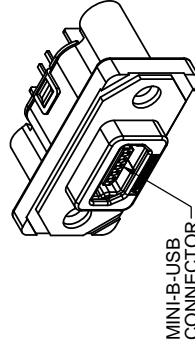
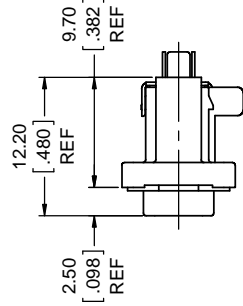




**THE DATASHEET OF  
MUSBR-B551-30**

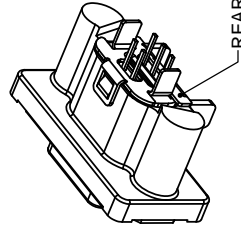


### FRONT FLANGE POSITION



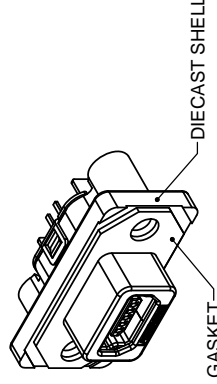
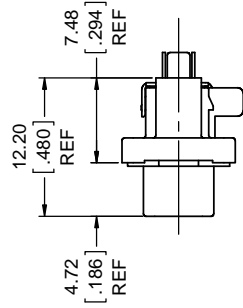
MINI-B-USB  
CONNECTOR

DIECAST SHELL



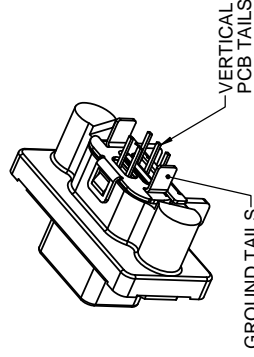
REAR COVER

### REAR FLANGE POSITION



GASKET

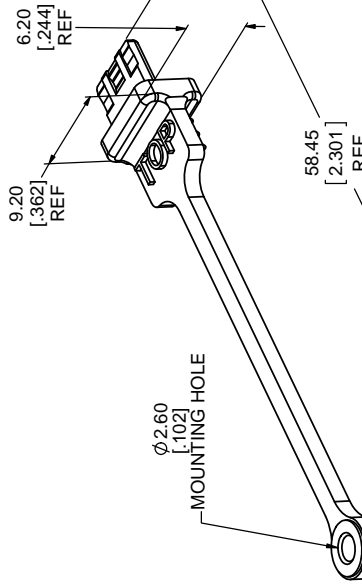
DIECAST SHELL



GROUND TAILS

VERTICAL  
PCB TAILS

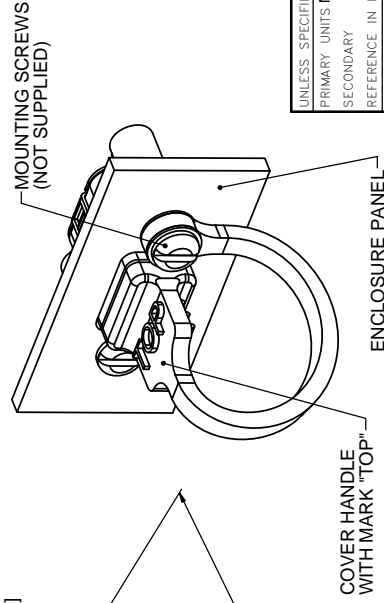
### DUST COVER OPTION



Ø2.60  
[.102]  
REF

MOUNTING HOLE

### DUST COVER APPLICATION VIEW



MOUNTING SCREWS  
(NOT SUPPLIED)

COVER HANDLE  
WITH MARK "TOP"

ENCLOSURE PANEL



### ORDERING CODE

SERIES, RUGGED U  
USB MINI-B RECEPT  
VERTICAL PCB TAIL  
FLANGE & THREAD  
3 = FRONT FLANGE  
#2-56 UNC THREAD  
5 = REAR FLANGE F  
#2-56 UNC THREE  
M = FRONT FLANGE  
M2.5 x 0.45 THR  
T = REAR FLANGE  
M2.5 x 0.45 THR

DUST COVER OPTION  
0 = WITH NO DUST  
1 = WITH GREY DUST  
5 = WITH BLACK DUST

**SPECIAL CONNECT**  
MANY UNIQUE FEAT  
CUSTOMER REQUIRE  
CANADA FOR DATA

### NOTES:

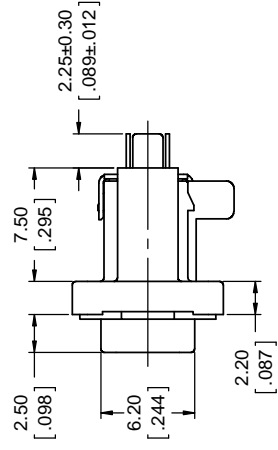
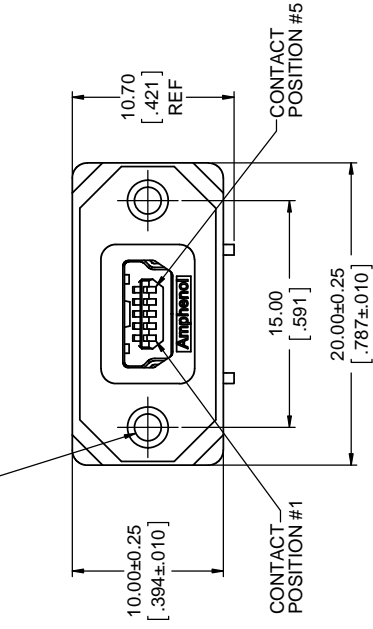
1. MATERIAL: ALL MATERIALS ARE RoHS COMPLIANT  
AMENDMENTS  
OUTER SHELL: DIECAST ZINC  
CONTACTS: PHOSPHOR BROWN  
GOLD OVER 1.27 µm [50µ"] MIN  
MATTIE TIN OVER NICKEL ON  
USB HOUSING: ENGINEERING  
RESISTANT, FLAMMABILITY R  
USB SHIELD: STAINLESS STEEL  
REAR COVER: STAINLESS STEEL  
GASKET: CONDUCTIVE SILICONE  
ENVIRONMENTAL PERFORMANCE  
BETWEEN MATING AREA AND PC  
SEAL TO INSIDE FACE OF ENCL  
PROVIDE ADDED PROTECTION.
2. CURRENT RATING: 1 AMPERE.
3. CONTACT RESISTANCE: 50 MILLIOHM
4. OPERATING TEMPERATURE: -40°
5. DUST COVERS MAY BE ORDERED  
PART NUMBER MUSB-2E151-1  
PART NUMBER MUSB-2E151-1-1

UNLESS SPECIFIED OTHERWISE	DRAWN	B. COPPING	SEP10/14
PRIMARY UNITS	MILLIMETERS	CHECKED	K.LAMBIE
SECONDARY UNITS	INCHES	M.E. APP'D	SEP10/14
REFERENCE IN PARENTHESES		Q.A. APP'D	
GENERAL TOLERANCES		DWG APPR.	
1 DECIMAL PLACE		ENG. REL. NO.	EAR 14162
2 DECIMAL PLACES	±0.15	REF.	
3 DECIMAL PLACES		THIRD ANGLE PROJECTION	
ANGULAR DEGREES		DO NOT DRAWING	

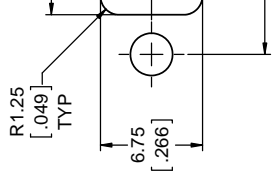
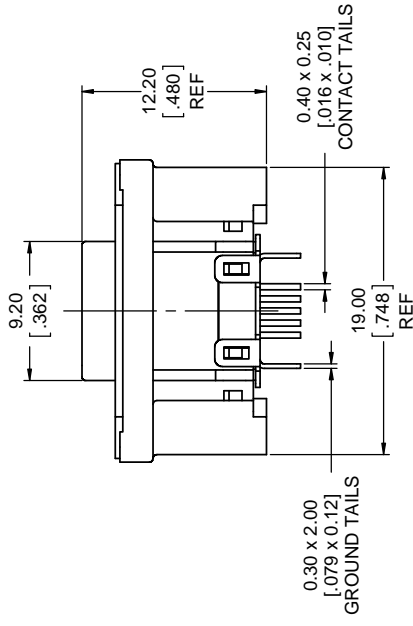
THIS DOCUMENT CONTAINS PROPRIETARY INFORMATION AND SUCH INFORMATION MAY NOT BE DISCLOSED TO OTHERS FOR ANY PURPOSE OR USED FOR MANUFACTURING PURPOSES WITHOUT WRITTEN PERMISSION FROM AMPHENOL CANADA CORP.

REV	
A	

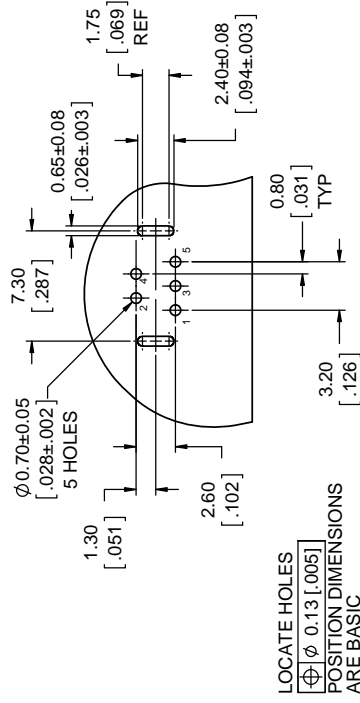
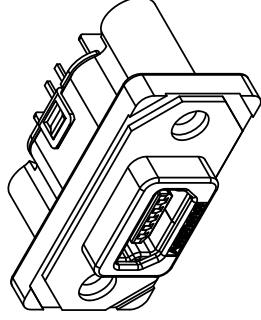
5.00 [.197] DEEP THREADED HOLES  
SEE ORDERING CODE FOR THREAD OPTION



Ø4.00 [.157]  
2 PLCS



RECOMMEN  
OUTSIDE



RECOMMENDED PCB LAYOUT  
COMPONENT SIDE OF BOARD



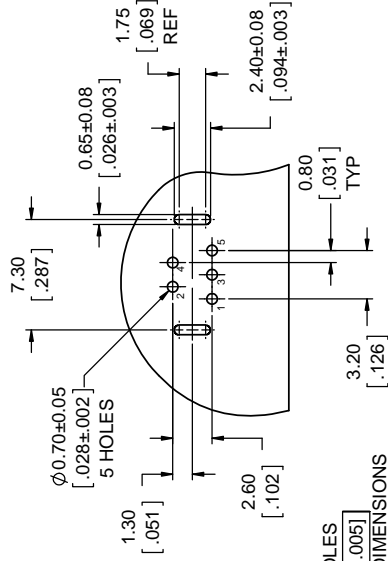
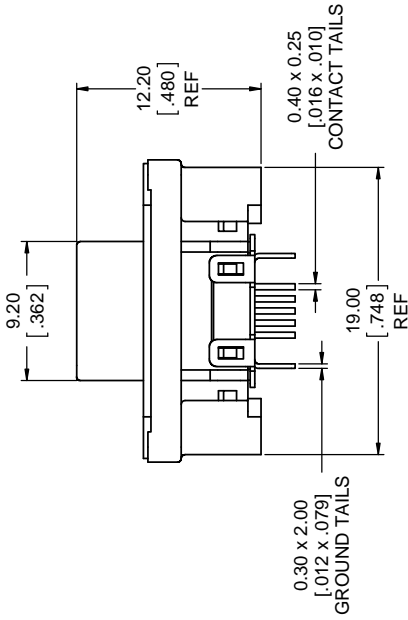
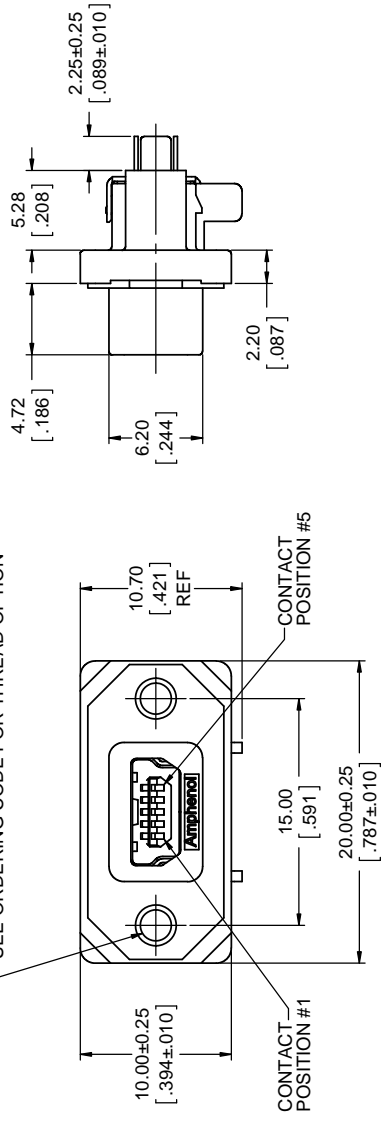
FRONT FLANGE  
AMPHENOL CANADA

UNLESS SPECIFIED OTHERWISE	DRAWN	B. COPPING	SEP10/14
PRIMARY UNITS	CHECKED	K. LAMBIE	SEP10/14
SECONDARY	M.E. APP'D		
REFERENCE IN PARENTHESSES	Q.A. APP'D		
GENERAL TOLERANCES	DWG APPR.		
1 DECIMAL PLACE	ENG. REL. NO.	EAR 14162	DWG/
2 DECIMAL PLACES	REF.		
3 DECIMAL PLACES	THIRD PROJECTION		DO NOT DRAWING
ANGULAR DEGREES			

THIS DOCUMENT CONTAINS PROPRIETARY INFORMATION AND SUCH INFORMATION MAY NOT BE DISCLOSED TO OTHERS FOR ANY PURPOSE OR USED FOR MANUFACTURING PURPOSES WITHOUT WRITTEN PERMISSION FROM AMPHENOL CANADA CORP.

REV	
A	

5.00 [.197] DEEP THREADED HOLES  
SEE ORDERING CODE FOR THREAD OPTION



LOCATE HOLES  
Ø 0.13 [.005]  
POSITION DIMENSIONS  
ARE BASIC

**RECOMMENDED PCB LAYOUT**  
COMPONENT SIDE OF BOARD



UNLESS SPECIFIED OTHERWISE	DRAWN	B. COPPING	SEP10/14
PRIMARY UNITS	CHECKED	K. LAMBIE	SEP10/14
SECONDARY	M.E. APP'D		
REFERENCE IN PARENTHESSES	Q.A. APP'D		
GENERAL TOLERANCES	DWG APPR.		
1 DECIMAL PLACE	ENG. REL. NO.	EAR 14162	DWG/
2 DECIMAL PLACES	REF.		
3 DECIMAL PLACES	THIRD PROJECTION		
ANGULAR DEGREES	DO NOT DRAWING		

THIS DOCUMENT CONTAINS PROPRIETARY INFORMATION AND SUCH INFORMATION MAY NOT BE DISCLOSED TO OTHERS FOR ANY PURPOSE OR USED FOR MANUFACTURING PURPOSES WITHOUT WRITTEN PERMISSION FROM AMPHENOL CANADA CORP.

Ø4.00  
[.157]  
2 PLCS

R1.25  
[.049]  
TYP  
6.75  
[.266]

RECOMMEN  
OUTSID

REAR FLAN  
AMPHENOL CANADA P

## Looking for pricing, stock, or lifecycle information?

Click below to explore more details on WIN SOURCE:

- ⊖ [View MUSBR-B551-30 on WIN SOURCE](#)
- ⊖ [Amphenol Commercial Products Information](#)

## Optimize Your Supply Chain with WIN SOURCE Solutions

- ✓ Global Sourcing Solution
- ✓ Obsolete Management
- ✓ Cost Control Management
- ✓ Shortage Management
- ✓ Alternative Solution
- ✓ Excess Inventory Management