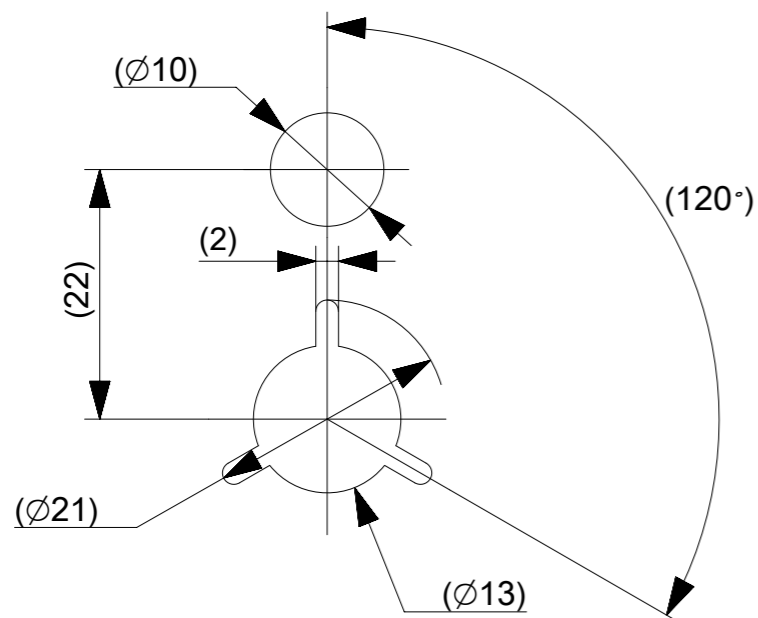
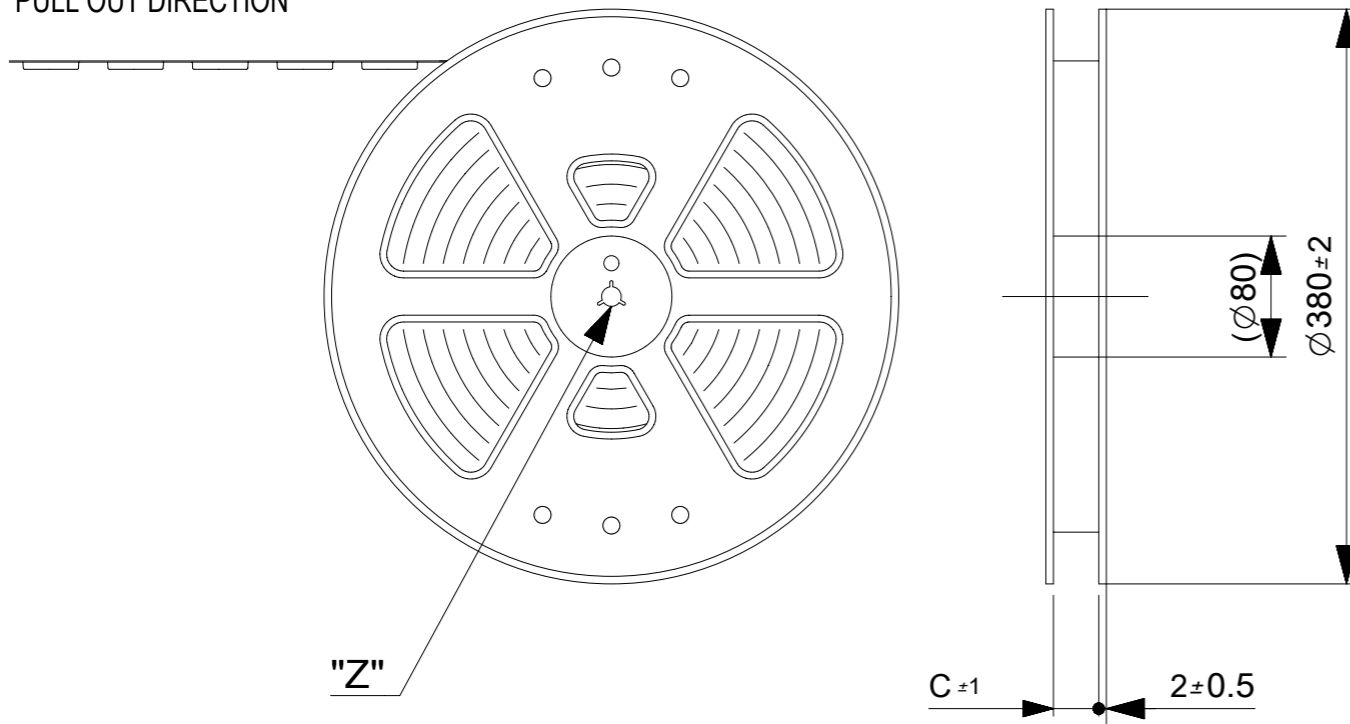




THE DATASHEET OF
501912-2590



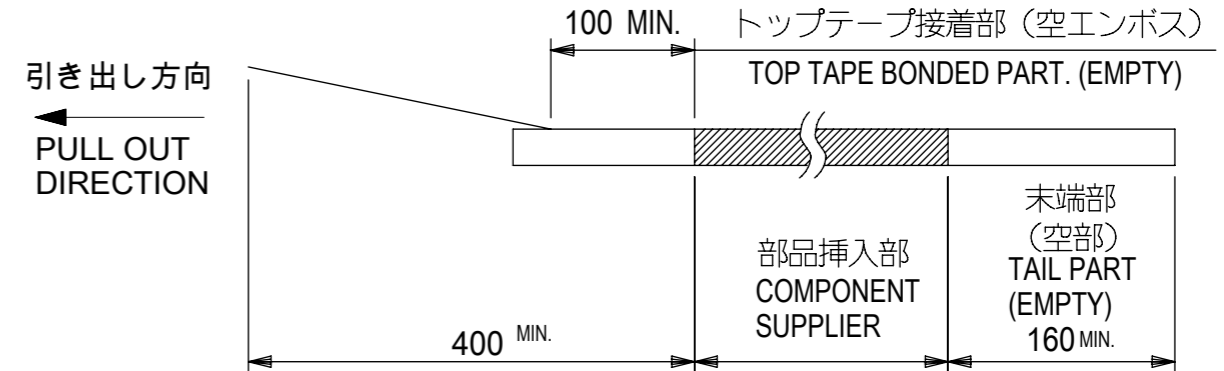
引き出し方向
PULL OUT DIRECTION



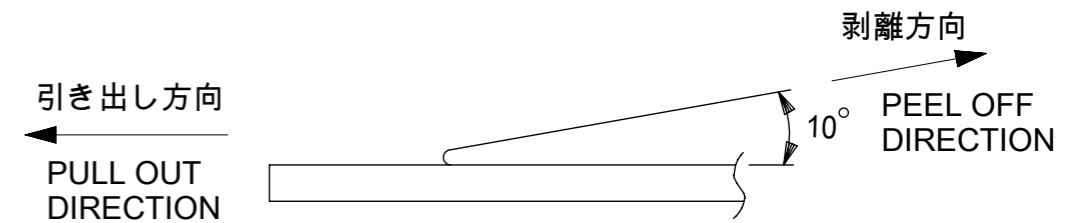
DETAIL "Z"

NOTES

- 製品詳細寸法は製品単体図面を参照して下さい。
FOR DETAIL OF CONNECTOR DIMENSIONS, PLEASE SEE THE DRAWING OF CONNECTOR ITSELF (NOT PACKAGED).
- 梱包数量 : 3000個 / リール
NUMBER OF CONNECTORS : 3000PCS/REEL
- リードテープ長さ LEAD TAPE LENGTH



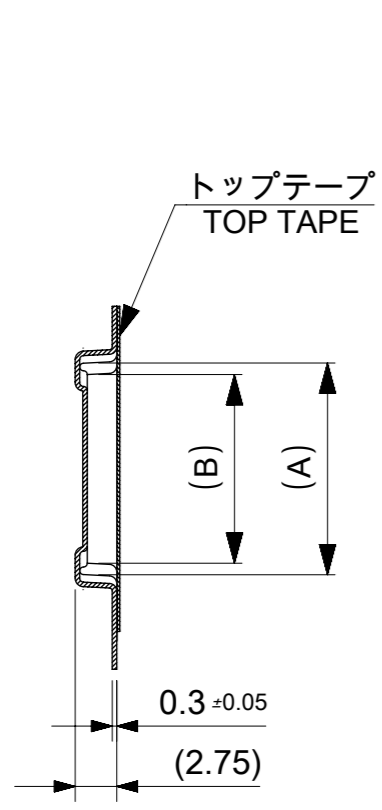
- トップテープの剥離強度 : 60 ± 35 gf (0.25N ~ 0.93N) (剥離方向は下図参照)
尚、本規格は出荷時に適用。(但し、輸送時に剥離が発生しないこと。)
PEELING OFF FORCE OF TOP TAPE : $60 \text{gf} \pm 35 \text{gf}$ (0.25N ~ 0.93N)
(PEELING DIRECTION AS SHOWN IN FOLLOWING FIG.)
THIS REQUIREMENT SHOULD BE APPLIED AT SHIPMENT.
PEEL OFF SHOULD NOT BE ALLOWED, DURING TRANSPORTATION.



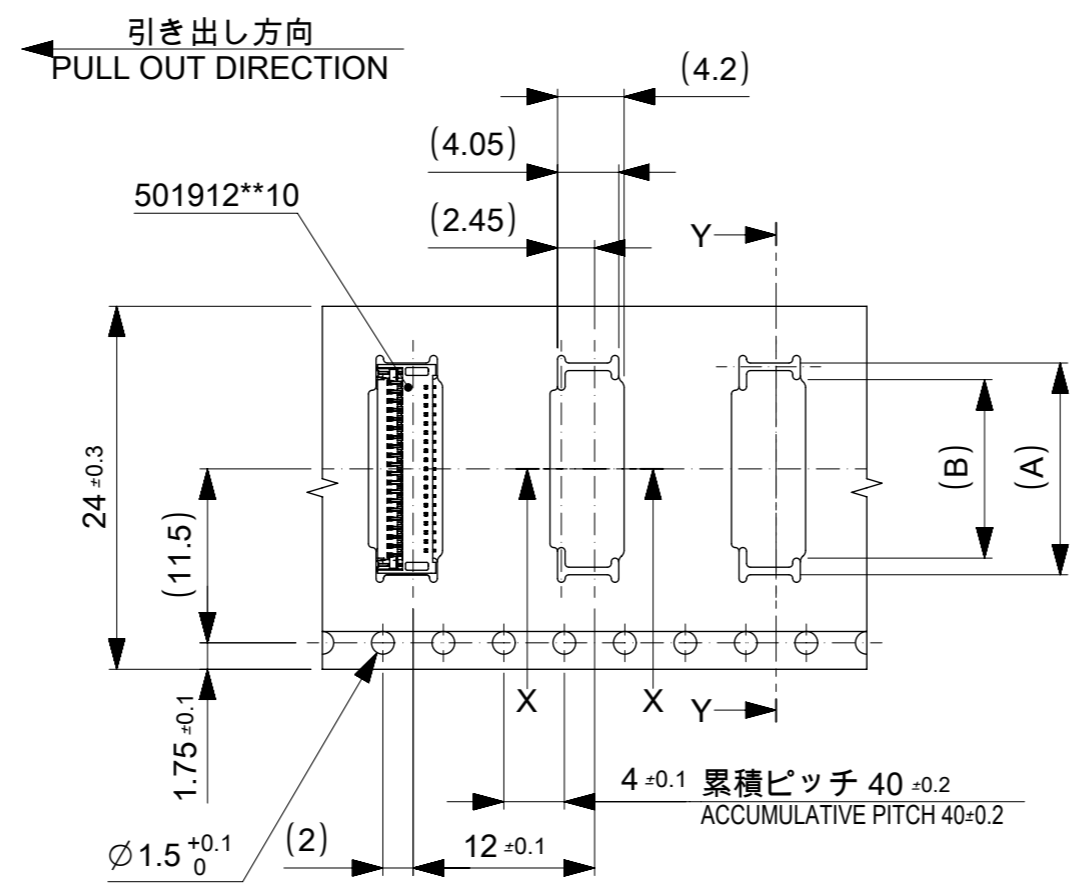
- 材料(MATERIAL)
キャリアテープ(CARRIER TAPE) : ポリスチレン(POLYSTYREN)
トップテープ(TOP TAPE) : PET, PE, PEF
リール(REEL) : ポリスチレン(PS) <リサイクル材を含む>
POLYSTYREN(PS) <RECYCLE MATERIAL CONTAINED>
- C寸法は SHEET 2~4を参照下さい。
SEE SHEET 2~4(DIMENSION C).
- ELV AND RoHS COMPLIANT.

501912**90 MODEL NO.

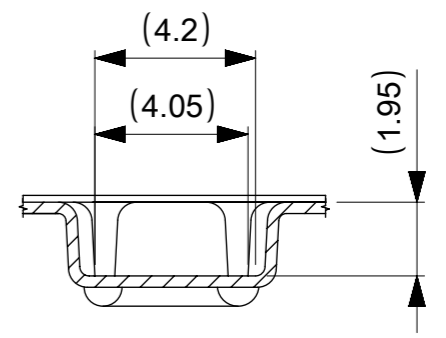
THIS DRAWING CONTAINS INFORMATION THAT IS PROPRIETARY TO MOLEX ELECTRONIC TECHNOLOGIES, LLC AND SHOULD NOT BE USED WITHOUT WRITTEN PERMISSION										
RELEASED	EC NO. 101883	DRWN: SHIRATA	CHK'D: YNOGAWA	APPR: YNOGAWA	2015/11/24	2016/01/05	2016/01/05	GENERAL TOLERANCES (UNLESS SPECIFIED)		
	ANGULAR TOL $\pm 3.0^\circ$				DIMENSION UNITS		SCALE		PRODUCT CUSTOMER DRAWING	
	4 PLACES ± 0.2				mm		NTS		EMBSTP PKG FOR 0.3 FPC CONN (HGT=1.8MM) GOLD PLATING	
	3 PLACES ± 0.2				DRWN BY		DATE		SERIES	
	2 PLACES ± 0.2				SHIRATA		2015/11/24		501912	
1 PLACE ± 0.2				CHK'D BY		DATE		MATERIAL NUMBER		
0 PLACES ± 0.2				HIIJIMA		DATE		SEE TABLE		
DRAFT WHERE APPLICABLE MUST REMAIN WITHIN DIMENSIONS				APPR BY		DATE		CUSTOMER		
				YNOGAWA		2016/01/05		DOCUMENT NUMBER		
				DRAWING SIZE		THIRD ANGLE PROJECTION		5019120000		
				A3				DOC TYPE		
								PSD		
								DOC PART		
								000		
								SHEET NUMBER		
								1 OF 4		



SECT. Y-Y



24mm幅キャリアテープ
24mm WIDTH CARRIER TAPE

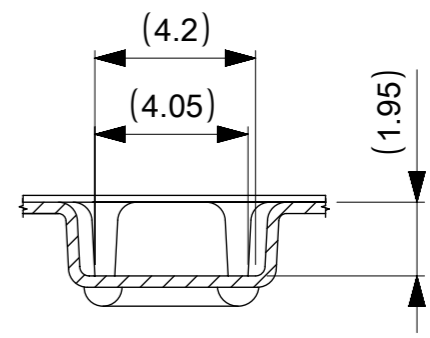
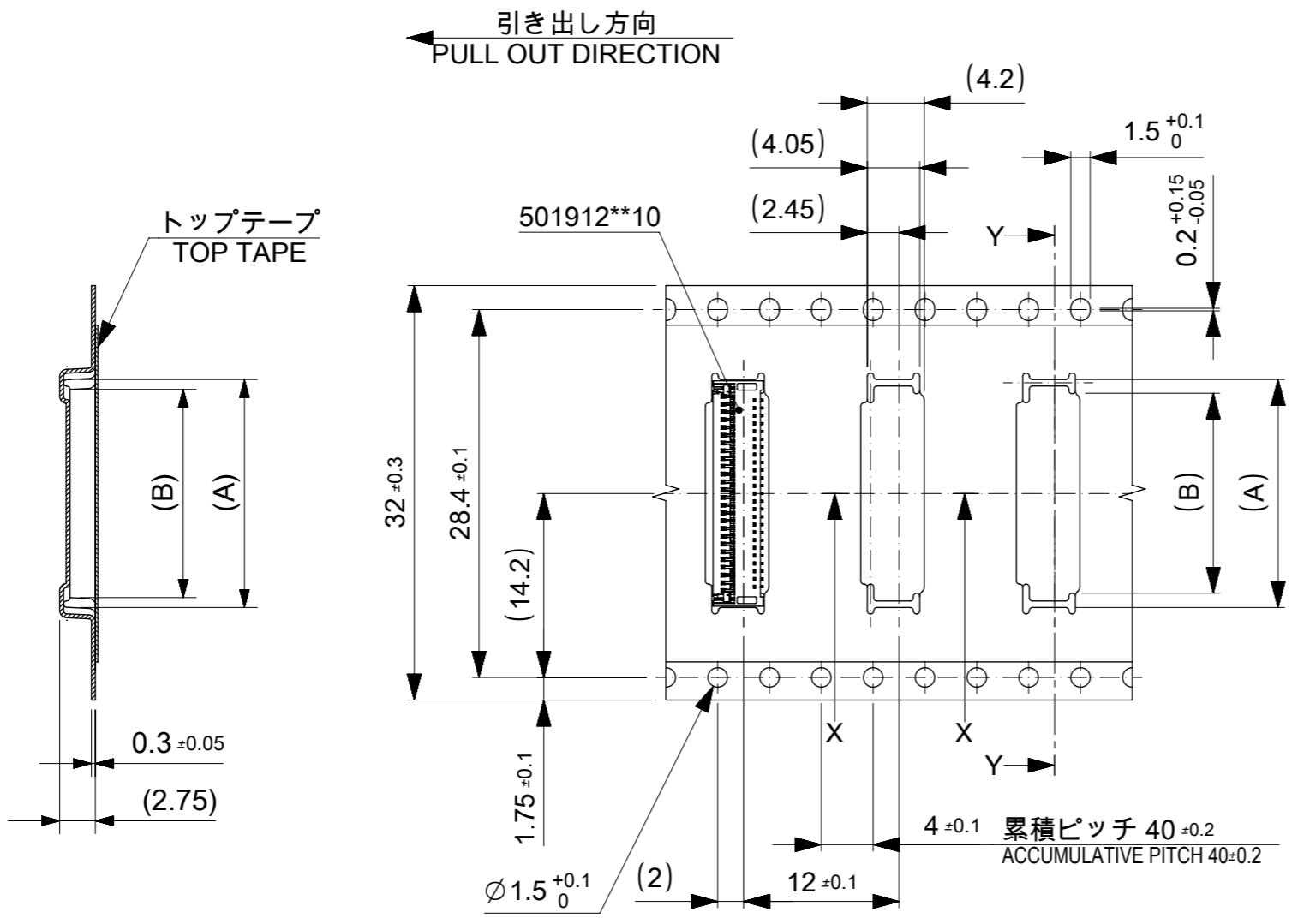


SECT. X-X

24	25.5	12.4	14.6	5019124190	41	
		11.8	14.0	5019123990	39	
		11.2	13.4	5019123790	37	
		10.6	12.8	5019123590	35	
		10.0	12.2	5019123390	33	
		8.2	10.4	5019122790	27	
		7.6	9.8	5019122590	25	
		7.0	9.2	5019122390	23	
		6.4	8.6	5019122190	21	
キャリアテープ幅 CARRIER TAPE WIDTH		C	(B)	(A)	オーダー番号 ORDER NO.	極数 Ckt
501912**90				MODEL NO.		

THIS DRAWING CONTAINS INFORMATION THAT IS PROPRIETARY TO MOLEX ELECTRONIC TECHNOLOGIES, LLC AND SHOULD NOT BE USED WITHOUT WRITTEN PERMISSION

EC NO: 101883 DRWN: SHIRATA CHK'D: YNOGAWA APPR: YNOGAWA REV: A	2015/11/24 2016/01/05 2016/01/05	GENERAL TOLERANCES (UNLESS SPECIFIED) ANGULAR TOL ± 3.0 ° 4 PLACES ± 0.2 3 PLACES ± 0.2 2 PLACES ± 0.2 1 PLACE ± 0.2 0 PLACES ± 0.2	DIMENSION UNITS: mm SCALE: NTS DRWN BY: SHIRATA DATE: 2015/11/24 CHK'D BY: HIIJIMA DATE: APPR BY: YNOGAWA DATE: 2016/01/05					
	DRAFT WHERE APPLICABLE MUST REMAIN WITHIN DIMENSIONS		DRAWING SIZE: A3 THIRD ANGLE PROJECTION	EMBSTP PKG FOR 0.3 FPC CONN (HGT=1.8MM) GOLD PLATING				
			PRODUCT CUSTOMER DRAWING		SERIES: 501912	MATERIAL NUMBER: SEE TABLE	CUSTOMER:	
					DOCUMENT NUMBER: 5019120000	DOC TYPE: PSD	DOC PART: 000	SHEET NUMBER: 3 OF 4



SECT. Y-Y

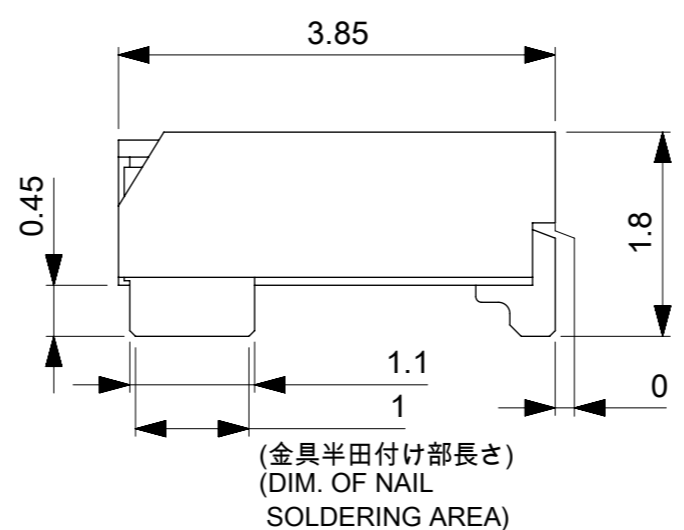
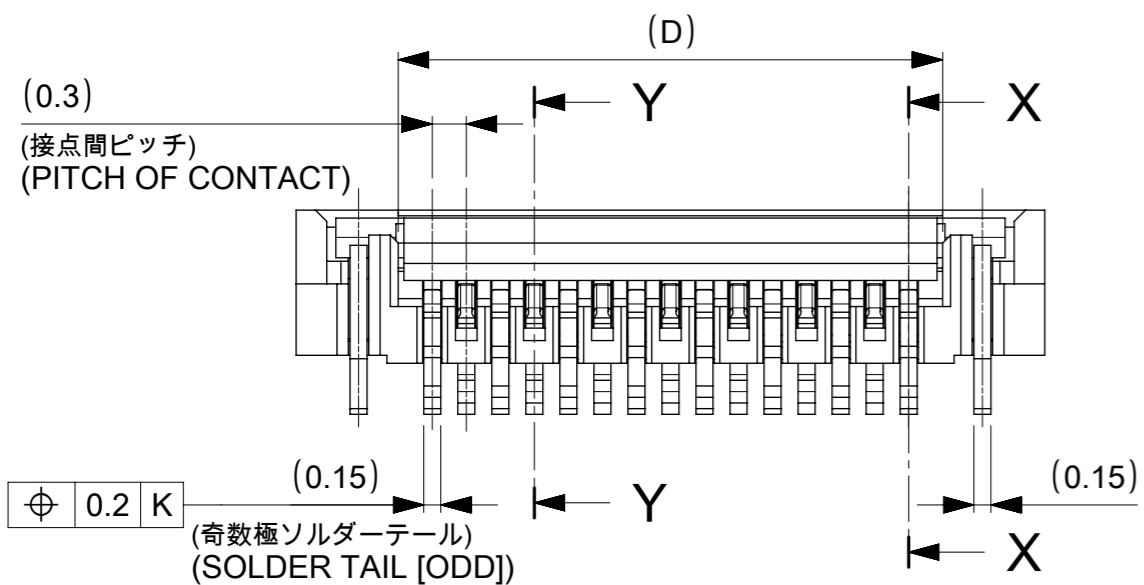
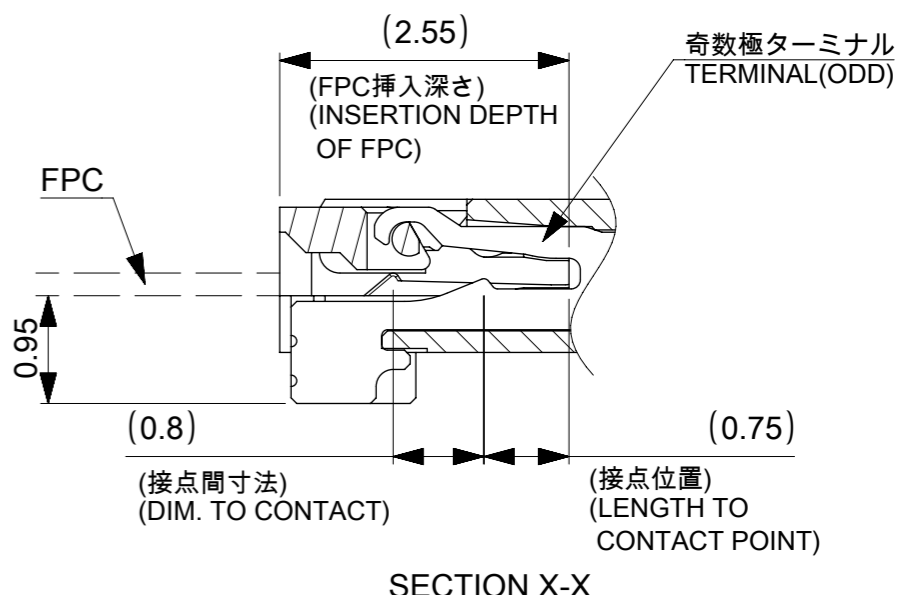
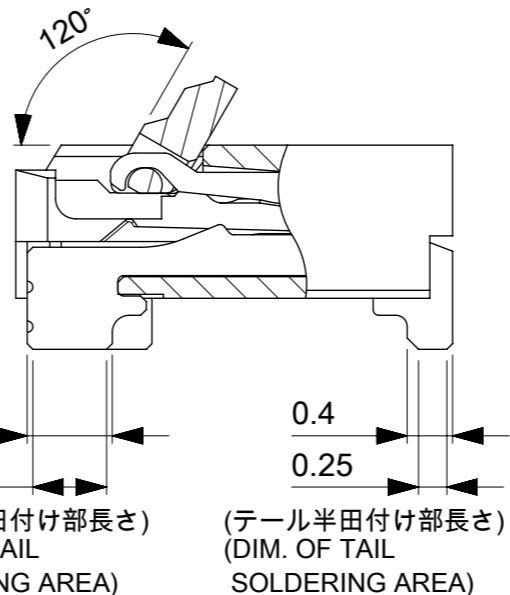
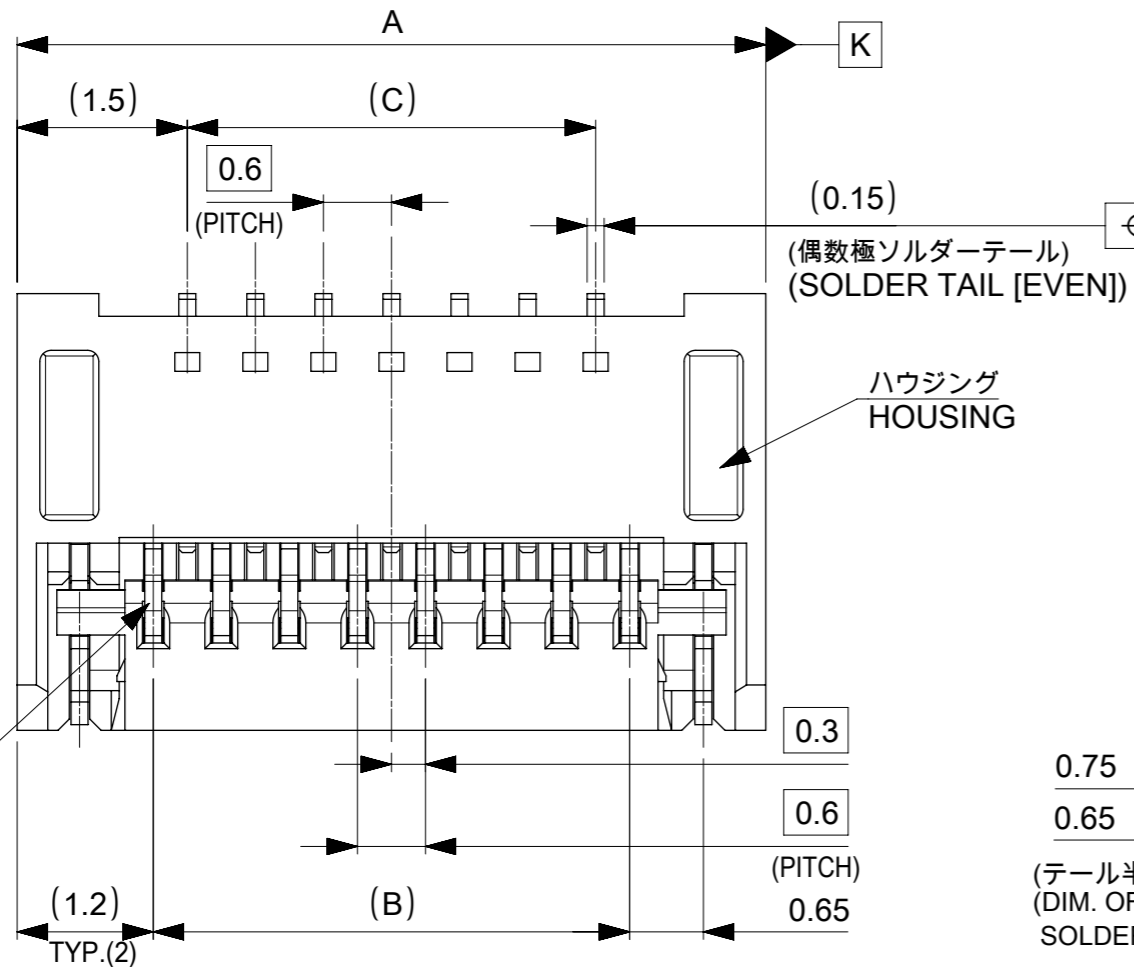
32mm幅キャリアテープ
32mm WIDTH CARRIER TAPE

32	33.5	15.4	17.6	5019125190	51
		14.2	16.4	5019124790	47
		13.6	15.8	5019124590	45
キャリアテープ幅 CARRIER TAPE WIDTH	C	(B)	(A)	オーダー番号 ORDER NO.	極数 Ckt
501912**90				MODEL NO.	

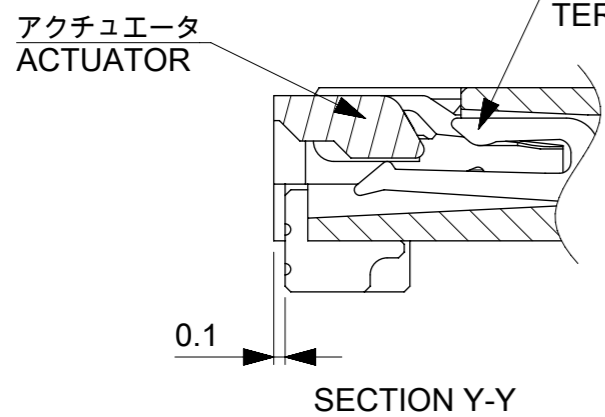
THIS DRAWING CONTAINS INFORMATION THAT IS PROPRIETARY TO MOLEX ELECTRONIC TECHNOLOGIES, LLC AND SHOULD NOT BE USED WITHOUT WRITTEN PERMISSION

EC NO: 101883 DRWN: SHIRATA CHK'D: YNOGAWA APPR: YNOGAWA REV: A	2015/11/24 2016/01/05 2016/01/05	GENERAL TOLERANCES (UNLESS SPECIFIED) ANGULAR TOL ± 3.0 ° 4 PLACES ± 0.2 3 PLACES ± 0.2 2 PLACES ± 0.2 1 PLACE ± 0.2 0 PLACES ± 0.2	DIMENSION UNITS: mm SCALE: NTS DRWN BY: SHIRATA DATE: 2015/11/24 CHK'D BY: HIIJIMA DATE: APPR BY: YNOGAWA DATE: 2016/01/05	DIMENSION UNITS: mm SCALE: NTS DRWN BY: SHIRATA DATE: 2015/11/24 CHK'D BY: HIIJIMA DATE: APPR BY: YNOGAWA DATE: 2016/01/05	molex EMBSTP PKG FOR 0.3 FPC CONN (HGT=1.8MM) GOLD PLATING PRODUCT CUSTOMER DRAWING SERIES: 501912 MATERIAL NUMBER: SEE TABLE CUSTOMER: DOCUMENT NUMBER: 5019120000 DOC TYPE: PSD DOC PART: 000 SHEET NUMBER: 4 OF 4
	DRAFT WHERE APPLICABLE MUST REMAIN WITHIN DIMENSIONS	DIMENSION UNITS: mm SCALE: NTS DRWN BY: SHIRATA DATE: 2015/11/24 CHK'D BY: HIIJIMA DATE: APPR BY: YNOGAWA DATE: 2016/01/05	DIMENSION UNITS: mm SCALE: NTS DRWN BY: SHIRATA DATE: 2015/11/24 CHK'D BY: HIIJIMA DATE: APPR BY: YNOGAWA DATE: 2016/01/05	DIMENSION UNITS: mm SCALE: NTS DRWN BY: SHIRATA DATE: 2015/11/24 CHK'D BY: HIIJIMA DATE: APPR BY: YNOGAWA DATE: 2016/01/05	
	DIMENSION UNITS: mm SCALE: NTS DRWN BY: SHIRATA DATE: 2015/11/24 CHK'D BY: HIIJIMA DATE: APPR BY: YNOGAWA DATE: 2016/01/05	DIMENSION UNITS: mm SCALE: NTS DRWN BY: SHIRATA DATE: 2015/11/24 CHK'D BY: HIIJIMA DATE: APPR BY: YNOGAWA DATE: 2016/01/05	DIMENSION UNITS: mm SCALE: NTS DRWN BY: SHIRATA DATE: 2015/11/24 CHK'D BY: HIIJIMA DATE: APPR BY: YNOGAWA DATE: 2016/01/05	DIMENSION UNITS: mm SCALE: NTS DRWN BY: SHIRATA DATE: 2015/11/24 CHK'D BY: HIIJIMA DATE: APPR BY: YNOGAWA DATE: 2016/01/05	
	DIMENSION UNITS: mm SCALE: NTS DRWN BY: SHIRATA DATE: 2015/11/24 CHK'D BY: HIIJIMA DATE: APPR BY: YNOGAWA DATE: 2016/01/05	DIMENSION UNITS: mm SCALE: NTS DRWN BY: SHIRATA DATE: 2015/11/24 CHK'D BY: HIIJIMA DATE: APPR BY: YNOGAWA DATE: 2016/01/05	DIMENSION UNITS: mm SCALE: NTS DRWN BY: SHIRATA DATE: 2015/11/24 CHK'D BY: HIIJIMA DATE: APPR BY: YNOGAWA DATE: 2016/01/05	DIMENSION UNITS: mm SCALE: NTS DRWN BY: SHIRATA DATE: 2015/11/24 CHK'D BY: HIIJIMA DATE: APPR BY: YNOGAWA DATE: 2016/01/05	
	DIMENSION UNITS: mm SCALE: NTS DRWN BY: SHIRATA DATE: 2015/11/24 CHK'D BY: HIIJIMA DATE: APPR BY: YNOGAWA DATE: 2016/01/05	DIMENSION UNITS: mm SCALE: NTS DRWN BY: SHIRATA DATE: 2015/11/24 CHK'D BY: HIIJIMA DATE: APPR BY: YNOGAWA DATE: 2016/01/05	DIMENSION UNITS: mm SCALE: NTS DRWN BY: SHIRATA DATE: 2015/11/24 CHK'D BY: HIIJIMA DATE: APPR BY: YNOGAWA DATE: 2016/01/05	DIMENSION UNITS: mm SCALE: NTS DRWN BY: SHIRATA DATE: 2015/11/24 CHK'D BY: HIIJIMA DATE: APPR BY: YNOGAWA DATE: 2016/01/05	

回路番号1
CIRCUIT No.1

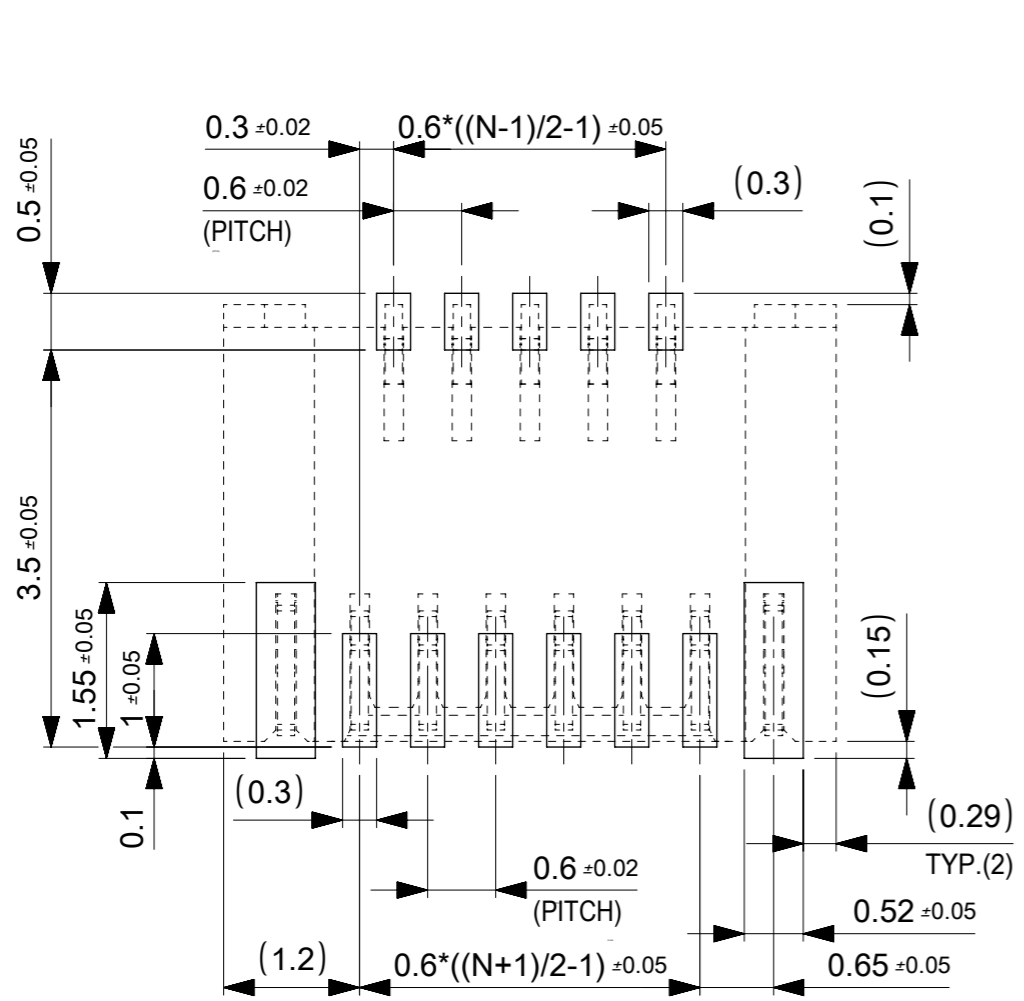


15.6	14.4	15.0	17.4	5019125190	5019125110	51
14.4	13.2	13.8	16.2	5019124790	5019124710	47
13.8	12.6	13.2	15.6	5019124590	5019124510	45
12.6	11.4	12.0	14.4	5019124190	5019124110	41
12.0	10.8	11.4	13.8	5019123990	5019123910	39
11.4	10.2	10.8	13.2	5019123790	5019123710	37
10.8	9.6	10.2	12.6	5019123590	5019123510	35
10.2	9.0	9.6	12.0	5019123390	5019123310	33
8.4	7.2	7.8	10.2	5019122790	5019122710	27
7.8	6.6	7.2	9.6	5019122590	5019122510	25
7.2	6.0	6.6	9.0	5019122390	5019122310	23
6.6	5.4	6.0	8.4	5019122190	5019122110	21
4.8	3.6	4.2	6.6	5019121590	5019121510	15
D	C	B	A	EMBOSSED TAPE PKG		MATERIAL No. CIRCUIT
				ORDER No.		
MODEL No. 501912**10						



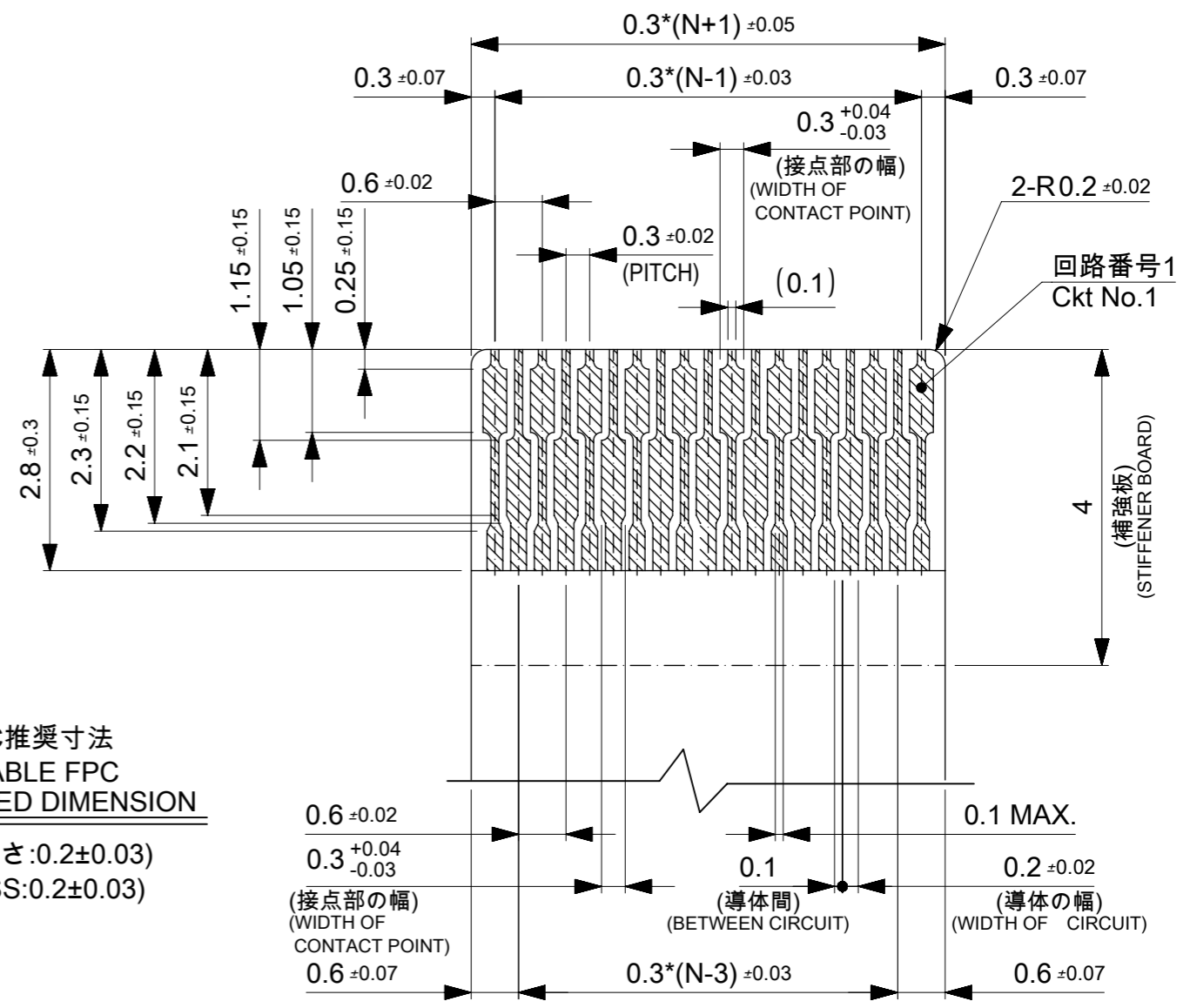
THIS DRAWING CONTAINS INFORMATION THAT IS PROPRIETARY TO MOLEX ELECTRONIC TECHNOLOGIES, LLC AND SHOULD NOT BE USED WITHOUT WRITTEN PERMISSION

RELEASED EC NO: 101883 DRWN: SHIRATA CHK'D: YNOGAWA APPR: YNOGAWA	2015/11/24	GENERAL TOLERANCES (UNLESS SPECIFIED)		DIMENSION UNITS	SCALE	molex				
	2016/01/05	ANGULAR TOL ± 3.0 °		mm	15:1					
	2016/01/05	4 PLACES ± 0.2	DRWN BY	DATE	SHIRATA					2015/11/24
		3 PLACES ± 0.2	CHK'D BY	DATE	HIIJIMA					
		2 PLACES ± 0.2	APPR BY	DATE	YNOGAWA					2016/01/05
	1 PLACE ± 0.2	DRAWING SIZE	THIRD ANGLE PROJECTION	A3		PRODUCT CUSTOMER DRAWING				
	0 PLACES ± 0.2	DRAFT WHERE APPLICABLE MUST REMAIN WITHIN DIMENSIONS				SERIES	MATERIAL NUMBER	CUSTOMER		
						501912	SEE TABLE			
						DOCUMENT NUMBER		DOC TYPE	DOC PART	SHEET NUMBER
						5019121000		PSD	000	1 OF 2



参考基板レイアウト図
(マウント面)
(MOUNTING SIDE)

適合FPC推奨寸法
APPLICABLE FPC
RECOMMENDED DIMENSION
(仕上がり厚さ:0.2±0.03)
(THICKNESS:0.2±0.03)



注記 NOTES

- 使用材料 MATERIAL
 - ハウジング :耐熱性樹脂 ガラス充填 UL94V-0
 - HOUSING :HEAT RESISTANCE POLYMER(GLASS FILLED) UL94V-0
 - アクチュエータ :耐熱性樹脂 ガラス充填 UL94V-0
 - ACTUATOR :HEAT RESISTANCE POLYMER(GLASS FILLED) UL94V-0
 - ターミナル :銅合金(t=0.15)、ニッケル下地金メッキ
 - TERMINAL :COPPER ALLOY(t=0.15),GOLD OVER NICKEL PLATING.
 - 金具 :銅合金(t=0.15)、ニッケル下地スズメッキ
 - FITTING NAIL :COPPER ALLOY(t=0.15),TIN OVER NICKEL PLATING.
- ハウジングに黒点がある場合がありますが、問題はありません。
- ソルダーテール半田付け面、及び金具半田付け面の平坦度 : 0.1mm MAXIMUM.
COPLANARITY OF SOLDER TAILS AND FITTING NAILS TO BE 0.1mm MAXIMUM.
- ELV AND RoHS COMPLIANT.

FPCについて:

打抜き方向は導体側から補強板側を推奨致します。
導体部については軟銅箔35マイクロメートルまたは50マイクロメートルを推奨致します。
補強フィルム材質はポリイミドを推奨致します。
接着剤は熱硬化接着剤を推奨致します。

ABOUT FPC

RECOMMENDED PUNCHER DIRECTION : FROM CONDUCTOR SIDE TO STIFFENER FILM SIDE.
RECOMMENDED CONDUCTOR SPEC :
THICKNESS OF SOFT COPPER FOIL : 35 MICROMETER OR 50 MICROMETER.
RECOMMENDED MATERIAL :
STIFFENER FILM : POLYIMIDE
BONDING AGENT : THERMOSETTING BONDING AGENT.

THIS DRAWING CONTAINS INFORMATION THAT IS PROPRIETARY TO MOLEX ELECTRONIC TECHNOLOGIES, LLC AND SHOULD NOT BE USED WITHOUT WRITTEN PERMISSION													
RELEASED	EC NO: 101883	DRWN: SHIRATA	CHK'D: YNOGAWA	APPR: YNOGAWA	2015/11/24	2016/01/05	2016/01/05	GENERAL TOLERANCES (UNLESS SPECIFIED)		DIMENSION UNITS	SCALE		
					ANGULAR TOL ± 3.0 °		4 PLACES ± 0.2		mm	15:1	molex		
					3 PLACES ± 0.2		2 PLACES ± 0.2		DRWN BY	DATE	0.3 FPC CONN E/O		
					1 PLACE ± 0.2		0 PLACES ± 0.2		SHIRATA	2015/11/24	HSG ASSY (HGT=1.8MM) GOLD PLATING		
					DRAFT WHERE APPLICABLE MUST REMAIN WITHIN DIMENSIONS		DRAFTING SIZE		HIIJIMA		PRODUCT CUSTOMER DRAWING		
							THIRD ANGLE PROJECTION		YNOGAWA	2016/01/05	SERIES	MATERIAL NUMBER	CUSTOMER
						A3		DRAWING SIZE		501912	SEE TABLE		
										DOCUMENT NUMBER	DOC TYPE	DOC PART	SHEET NUMBER
										5019121000	PSD	000	2 OF 2

Looking for pricing, stock, or lifecycle information?

Click below to explore more details on WIN SOURCE:

 [View 501912-2590 on WIN SOURCE](#)

 [Molex, LLC Information](#)

Optimize Your Supply Chain with WIN SOURCE Solutions

-  Global Sourcing Solution
-  Obsolete Management
-  Cost Control Management
-  Shortage Management
-  Alternative Solution
-  Excess Inventory Management