



# THE DATASHEET OF UC3843BDG



# UC3842B, UC3843B, UC2842B, UC2843B

## High Performance Current Mode Controllers

The UC3842B, UC3843B series are high performance fixed frequency current mode controllers. They are specifically designed for Off-Line and DC-DC converter applications offering the designer a cost-effective solution with minimal external components. These integrated circuits feature a trimmed oscillator for precise duty cycle control, a temperature compensated reference, high gain error amplifier, current sensing comparator, and a high current totem pole output ideally suited for driving a power MOSFET.

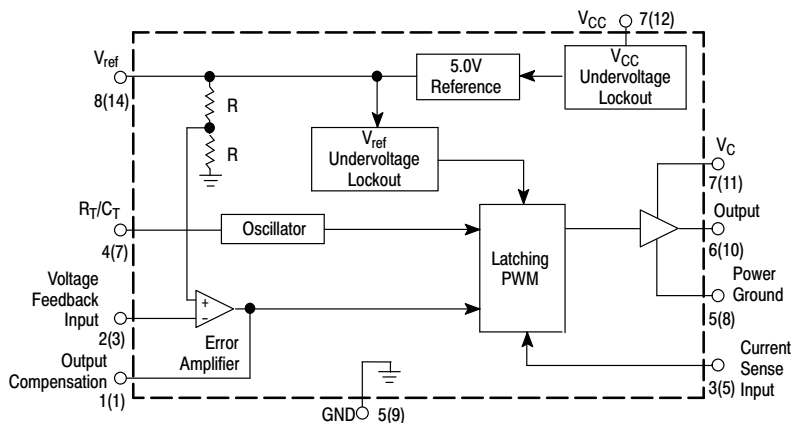
Also included are protective features consisting of input and reference undervoltage lockouts each with hysteresis, cycle-by-cycle current limiting, programmable output deadtime, and a latch for single pulse metering.

These devices are available in an 8-pin dual-in-line and surface mount (SOIC-8) plastic package as well as the 14-pin plastic surface mount (SOIC-14). The SOIC-14 package has separate power and ground pins for the totem pole output stage.

The UC3842B has UVLO thresholds of 16 V (on) and 10 V (off), ideally suited for off-line converters. The UC3843B is tailored for lower voltage applications having UVLO thresholds of 8.5 V (on) and 7.6 V (off).

### Features

- Trimmed Oscillator for Precise Frequency Control
- Oscillator Frequency Guaranteed at 250 kHz
- Current Mode Operation to 500 kHz
- Automatic Feed Forward Compensation
- Latching PWM for Cycle-By-Cycle Current Limiting
- Internally Trimmed Reference with Undervoltage Lockout
- High Current Totem Pole Output
- Undervoltage Lockout with Hysteresis
- Low Startup and Operating Current
- This is a Pb-Free and Halide-Free Device



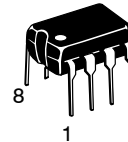
Pin numbers in parenthesis are for the D suffix SOIC-14 package.

**Figure 1. Simplified Block Diagram**

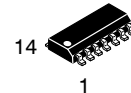


**ON Semiconductor®**

<http://onsemi.com>



**PDIP-8  
N SUFFIX  
CASE 626**

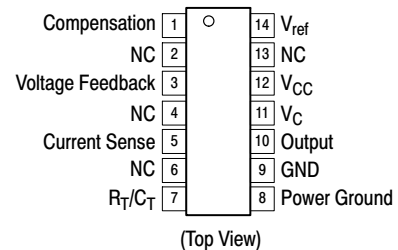
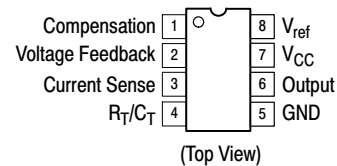


**SOIC-14  
D SUFFIX  
CASE 751A**



**SOIC-8  
D1 SUFFIX  
CASE 751**

### PIN CONNECTIONS



### ORDERING INFORMATION

See detailed ordering and shipping information in the package dimensions section on page 17 of this data sheet.

### DEVICE MARKING INFORMATION

See general marking information in the device marking section on page 19 of this data sheet.

# UC3842B, UC3843B, UC2842B, UC2843B

## MAXIMUM RATINGS

| Rating   | Symbol   | Value  | Unit  |
|--|--|--|---|
| Bias and Driver Voltages (Zero Series Impedance, see also Total Device spec)   | $V_{CC}, V_C$  | 30   | V   |
| Total Power Supply and Zener Current   | $(I_{CC} + I_Z)$   | 30   | mA  |
| Output Current, Source or Sink   | $I_O$  | 1.0  | A   |
| Output Energy (Capacitive Load per Cycle)  | W  | 5.0  | $\mu$ J   |
| Current Sense, Voltage Feedback, $V_{ref}$ and Rt/Ct Inputs  | $V_{in}$   | - 0.3 to + 5.5                                       | V   |
| Compensation   | $V_{comp}$   | - 0.3 to + 7.2                                       | V   |
| Output   | $V_o$  | - 0.3 to $V_{CC}$ or $V_C + 0.3$                     | V   |
| Error Amp Output Sink Current  | $I_O$  | 10   | mA  |
| Power Dissipation and Thermal Characteristics<br>D Suffix, Plastic Package, SOIC-14 Case 751A<br>Maximum Power Dissipation @ $T_A = 25^\circ\text{C}$<br>Thermal Resistance, Junction-to-Air<br>D1 Suffix, Plastic Package, SOIC-8 Case 751<br>Maximum Power Dissipation @ $T_A = 25^\circ\text{C}$<br>Thermal Resistance, Junction-to-Air<br>N Suffix, Plastic Package, Case 626<br>Maximum Power Dissipation @ $T_A = 25^\circ\text{C}$<br>Thermal Resistance, Junction-to-Air | $P_D$<br>$R_{\theta JA}$<br>$P_D$<br>$R_{\theta JA}$<br>$P_D$<br>$R_{\theta JA}$ | 862<br>145<br>702<br>178<br>1.25<br>100              | mW<br>$^\circ\text{C/W}$<br>mW<br>$^\circ\text{C/W}$<br>W<br>$^\circ\text{C/W}$ |
| Operating Junction Temperature   | $T_J$  | +150   | $^\circ\text{C}$  |
| Operating Ambient Temperature<br><br>UC3842B, UC3843B<br>UC2842B, UC2843B<br>UC2843D<br>UC3842BV, UC3843BV   | $T_A$  | 0 to 70<br>- 25 to + 85<br>-40 to +85<br>-40 to +105 | $^\circ\text{C}$  |
| Storage Temperature Range  | $T_{stg}$  | - 65 to +150   | $^\circ\text{C}$  |

Stresses exceeding Maximum Ratings may damage the device. Maximum Ratings are stress ratings only. Functional operation above the Recommended Operating Conditions is not implied. Extended exposure to stresses above the Recommended Operating Conditions may affect device reliability.

- This device series contains ESD protection and exceeds the following tests:  
Human Body Model 4000 V per JEDEC Standard JESD22-A114B  
Machine Model Method 200 V per JEDEC Standard JESD22-A115-A
- This device contains latch-up protection and exceeds 100 mA per JEDEC Standard JESD78

# UC3842B, UC3843B, UC2842B, UC2843B

**ELECTRICAL CHARACTERISTICS** ( $V_{CC} = 15\text{ V}$  [Note 3],  $R_T = 10\text{ k}$ ,  $C_T = 3.3\text{ nF}$ . For typical values  $T_A = 25^\circ\text{C}$ , for min/max values  $T_A$  is the operating ambient temperature range that applies [Note 4], unless otherwise noted.)

| Characteristics | Symbol | UC284XB, UC2843D |     |     | UC384XB, XBV |     |     | Unit |
|-----------------|--------|------------------|-----|-----|--------------|-----|-----|------|
|                 |        | Min              | Typ | Max | Min          | Typ | Max |      |

## REFERENCE SECTION

|  |              |             |        |             |      |     |      |                      |
|--|--------------|-------------|--------|-------------|------|-----|------|----------------------|
| Reference Output Voltage ( $I_O = 1.0\text{ mA}$ , $T_J = 25^\circ\text{C}$ )            | $V_{ref}$    | 4.95        | 5.0    | 5.05        | 4.9  | 5.0 | 5.1  | V                    |
| Line Regulation ( $V_{CC} = 12\text{ V to } 25\text{ V}$ )                               | $Reg_{line}$ | -           | 2.0    | 20          | -    | 2.0 | 20   | mV                   |
| Load Regulation ( $I_O = 1.0\text{ mA to } 20\text{ mA}$ )                               | $Reg_{load}$ | -           | 3.0    | 25          | -    | 3.0 | 25   | mV                   |
| Temperature Stability  | $T_S$        | -           | 0.2    | -           | -    | 0.2 | -    | mV/ $^\circ\text{C}$ |
| Total Output Variation over Line, Load, and Temperature<br>UC284XB<br>UC2843D            | $V_{ref}$    | 4.9<br>4.82 | -<br>- | 5.1<br>5.18 | 4.82 | -   | 5.18 | V                    |
| Output Noise Voltage ( $f = 10\text{ Hz to } 10\text{ kHz}$ , $T_J = 25^\circ\text{C}$ ) | $V_n$        | -           | 50     | -           | -    | 50  | -    | $\mu\text{V}$        |
| Long Term Stability ( $T_A = 125^\circ\text{C}$ for 1000 Hours)                          | S            | -           | 5.0    | -           | -    | 5.0 | -    | mV                   |
| Output Short Circuit Current   | $I_{SC}$     | -30         | -85    | -180        | -30  | -85 | -180 | mA                   |

## OSCILLATOR SECTION

|   |                           |                 |                |                 |                   |                |                   |     |
|---|---------------------------|-----------------|----------------|-----------------|-------------------|----------------|-------------------|-----|
| Frequency<br>$T_J = 25^\circ\text{C}$<br>$T_A = T_{low}$ to $T_{high}$<br>$T_J = 25^\circ\text{C}$ ( $R_T = 6.2\text{ k}$ , $C_T = 1.0\text{ nF}$ ) | $f_{OSC}$                 | 49<br>48<br>225 | 52<br>-<br>250 | 55<br>56<br>275 | 49<br>48<br>225   | 52<br>-<br>250 | 55<br>56<br>275   | kHz |
| Frequency Change with Voltage ( $V_{CC} = 12\text{ V to } 25\text{ V}$ )  | $\Delta f_{OSC}/\Delta V$ | -               | 0.2            | 1.0             | -                 | 0.2            | 1.0               | %   |
| Frequency Change with Temperature, $T_A = T_{low}$ to $T_{high}$  | $\Delta f_{OSC}/\Delta T$ | -               | 1.0            | -               | -                 | 0.5            | -                 | %   |
| Oscillator Voltage Swing (Peak-to-Peak)   | $V_{OSC}$                 | -               | 1.6            | -               | -                 | 1.6            | -                 | V   |
| Discharge Current ( $V_{OSC} = 2.0\text{ V}$ )<br>$T_J = 25^\circ\text{C}$ , $T_A = T_{low}$ to $T_{high}$<br>UC284XB, UC384XB<br>UC2843D, UC384XBV | $I_{dischg}$              | 7.8<br>7.5<br>- | 8.3<br>-<br>-  | 8.8<br>8.8<br>- | 7.8<br>7.6<br>7.2 | 8.3<br>-<br>-  | 8.8<br>8.8<br>8.8 | mA  |

## ERROR AMPLIFIER SECTION

|  |                            |               |                 |               |               |                   |                 |               |
|--|----------------------------|---------------|-----------------|---------------|---------------|-------------------|-----------------|---------------|
| Voltage Feedback Input ( $V_O = 2.5\text{ V}$ )<br>UC284XB<br>UC2843D  | $V_{FB}$                   | 2.45<br>2.42  | 2.5<br>2.5      | 2.55<br>2.58  | 2.42          | 2.5               | 2.58            | V             |
| Input Bias Current ( $V_{FB} = 5.0\text{ V}$ )   | $I_{IB}$                   | -             | -0.1            | -1.0          | -             | -0.1              | -2.0            | $\mu\text{A}$ |
| Open Loop Voltage Gain ( $V_O = 2.0\text{ V to } 4.0\text{ V}$ )   | $A_{VOL}$                  | 65            | 90              | -             | 65            | 90                | -               | dB            |
| Unity Gain Bandwidth ( $T_J = 25^\circ\text{C}$ )  | BW                         | 0.7           | 1.0             | -             | 0.7           | 1.0               | -               | MHz           |
| Power Supply Rejection Ratio ( $V_{CC} = 12\text{ V to } 25\text{ V}$ )  | PSRR                       | 60            | 70              | -             | 60            | 70                | -               | dB            |
| Output Current<br>Sink ( $V_O = 1.1\text{ V}$ , $V_{FB} = 2.7\text{ V}$ )<br>Source ( $V_O = 5.0\text{ V}$ , $V_{FB} = 2.3\text{ V}$ )   | $I_{Sink}$<br>$I_{Source}$ | 2.0<br>-0.5   | 12<br>-1.0      | -<br>-        | 2.0<br>-0.5   | 12<br>-1.0        | -<br>-          | mA            |
| Output Voltage Swing<br>High State ( $R_L = 15\text{ k to ground}$ , $V_{FB} = 2.3\text{ V}$ )<br>Low State ( $R_L = 15\text{ k to } V_{ref}$ , $V_{FB} = 2.7\text{ V}$ )<br>UC284XB, UC384XB<br>UC2843D, UC384XBV | $V_{OH}$<br>$V_{OL}$       | 5.0<br>-<br>- | 6.2<br>0.8<br>- | -<br>1.1<br>- | 5.0<br>-<br>- | 6.2<br>0.8<br>0.8 | -<br>1.1<br>1.2 | V             |

- Adjust  $V_{CC}$  above the Startup threshold before setting to 15 V.
- Low duty cycle pulse techniques are used during test to maintain junction temperature as close to ambient as possible.  
 $T_{low} = 0^\circ\text{C}$  for UC3842B, UC3843B;  $-25^\circ\text{C}$  for UC2842B, UC2843B;  $-40^\circ\text{C}$  for UC3842BV, UC3843BV, UC2843D  
 $T_{high} = +70^\circ\text{C}$  for UC3842B, UC3843B;  $+85^\circ\text{C}$  for UC2842B, UC2843B, UC2843D;  $+105^\circ\text{C}$  for UC3842BV, UC3843BV

# UC3842B, UC3843B, UC2842B, UC2843B

**ELECTRICAL CHARACTERISTICS** ( $V_{CC} = 15\text{ V}$  [Note 7],  $R_T = 10\text{ k}$ ,  $C_T = 3.3\text{ nF}$ . For typical values  $T_A = 25^\circ\text{C}$ , for min/max values  $T_A$  is the operating ambient temperature range that applies [Note 8], unless otherwise noted.)

| Characteristics | Symbol | UC284XB, UC2843D |     |     | UC384XB, XBV |     |     | Unit |
|-----------------|--------|------------------|-----|-----|--------------|-----|-----|------|
|                 |        | Min              | Typ | Max | Min          | Typ | Max |      |

## CURRENT SENSE SECTION

|   |                   |           |          |           |              |            |              |               |
|---|-------------------|-----------|----------|-----------|--------------|------------|--------------|---------------|
| Current Sense Input Voltage Gain (Notes 5 and 6)<br>UC2843D, UC284XB, UC384XB<br>UC384XBV | $A_V$             | 2.85<br>– | 3.0<br>– | 3.15<br>– | 2.85<br>2.85 | 3.0<br>3.0 | 3.15<br>3.25 | V/V           |
| Maximum Current Sense Input Threshold (Note 5)<br>UC2843D, UC284XB, UC384XB<br>UC384XBV   | $V_{th}$          | 0.9<br>–  | 1.0<br>– | 1.1<br>–  | 0.9<br>0.85  | 1.0<br>1.0 | 1.1<br>1.1   | V             |
| Power Supply Rejection Ratio ( $V_{CC} = 12\text{ V}$ to $25\text{ V}$ , Note 5)          | PSRR              | –         | 70       | –         | –            | 70         | –            | dB            |
| Input Bias Current  | $I_{IB}$          | –         | –2.0     | –10       | –            | –2.0       | –10          | $\mu\text{A}$ |
| Propagation Delay (Current Sense Input to Output)   | $t_{PLH(In/Out)}$ | –         | 150      | 300       | –            | 150        | 300          | ns            |

## OUTPUT SECTION

|  |                |               |                   |                 |                  |                      |                   |    |
|--|----------------|---------------|-------------------|-----------------|------------------|----------------------|-------------------|----|
| Output Voltage<br>Low State ( $I_{Sink} = 20\text{ mA}$ )<br>( $I_{Sink} = 200\text{ mA}$ )<br>UC284XB, UC384XB<br>UC384XBV, UC2843D | $V_{OL}$       | –<br>–<br>–   | 0.1<br>1.6<br>–   | 0.4<br>2.2<br>– | –<br>–<br>–      | 0.1<br>1.6<br>1.6    | 0.4<br>2.2<br>2.3 | V  |
| High State ( $I_{Source} = 20\text{ mA}$ )<br>( $I_{Source} = 200\text{ mA}$ )<br>UC284XB, UC384XB<br>UC384XBV, UC2843D              | $V_{OH}$       | 13<br>–<br>12 | 13.5<br>–<br>13.4 | –<br>–<br>–     | 13<br>12.9<br>12 | 13.5<br>13.5<br>13.4 | –<br>–<br>–       | V  |
| Output Voltage with UVLO Activated ( $V_{CC} = 6.0\text{ V}$ , $I_{Sink} = 1.0\text{ mA}$ )  | $V_{OL(UVLO)}$ | –             | 0.1               | 1.1             | –                | 0.1                  | 1.1               | V  |
| Output Voltage Rise Time ( $C_L = 1.0\text{ nF}$ , $T_J = 25^\circ\text{C}$ )  | $t_r$          | –             | 50                | 150             | –                | 50                   | 150               | ns |
| Output Voltage Fall Time ( $C_L = 1.0\text{ nF}$ , $T_J = 25^\circ\text{C}$ )  | $t_f$          | –             | 50                | 150             | –                | 50                   | 150               | ns |

## UNDERVOLTAGE LOCKOUT SECTION

|   |               |            |           |           |             |           |             |   |
|---|---------------|------------|-----------|-----------|-------------|-----------|-------------|---|
| Startup Threshold ( $V_{CC}$ )<br>UCX842B, BV<br>UCX843B, BV, D                       | $V_{th}$      | 15<br>7.8  | 16<br>8.4 | 17<br>9.0 | 14.5<br>7.8 | 16<br>8.4 | 17.5<br>9.0 | V |
| Minimum Operating Voltage After Turn-On ( $V_{CC}$ )<br>UCX842B, BV<br>UCX843B, BV, D | $V_{CC(min)}$ | 9.0<br>7.0 | 10<br>7.6 | 11<br>8.2 | 8.5<br>7.0  | 10<br>7.6 | 11.5<br>8.2 | V |

## PWM SECTION

|   |              |         |         |        |          |          |        |   |
|---|--------------|---------|---------|--------|----------|----------|--------|---|
| Duty Cycle<br>Maximum UC284XB, UC384XB, UC2843D<br>UC384XBV | $DC_{(max)}$ | 94<br>– | 96<br>– | –<br>– | 94<br>93 | 96<br>96 | –<br>– | % |
| Minimum   | $DC_{(min)}$ | –       | –       | 0      | –        | –        | 0      | % |

## TOTAL DEVICE

|   |                |        |           |           |        |           |           |    |
|---|----------------|--------|-----------|-----------|--------|-----------|-----------|----|
| Power Supply Current<br>Startup ( $V_{CC} = 6.5\text{ V}$ for UCX843B, UC2843D<br>$V_{CC} = 14\text{ V}$ for UCX842B, BV)<br>(Note 7) | $I_{CC} + I_C$ | –<br>– | 0.3<br>12 | 0.5<br>17 | –<br>– | 0.3<br>12 | 0.5<br>17 | mA |
| Power Supply Zener Voltage ( $I_{CC} = 25\text{ mA}$ )  | $V_Z$          | 30     | 36        | –         | 30     | 36        | –         | V  |

5. This parameter is measured at the latch trip point with  $V_{FB} = 0\text{ V}$ .
6. Comparator gain is defined as:  $A_V = \frac{\Delta V_{\text{Output Compensation}}}{\Delta V_{\text{Current Sense Input}}}$
7. Adjust  $V_{CC}$  above the Startup threshold before setting to  $15\text{ V}$ .
8. Low duty cycle pulse techniques are used during test to maintain junction temperature as close to ambient as possible.  
 $T_{low} = 0^\circ\text{C}$  for UC3842B, UC3843B;  $-25^\circ\text{C}$  for UC2842B, UC2843B;  $-40^\circ\text{C}$  for UC3842BV, UC3843BV, UC2843D  
 $T_{high} = +70^\circ\text{C}$  for UC3842B, UC3843B;  $+85^\circ\text{C}$  for UC2842B, UC2843B, UC2843D;  $+105^\circ\text{C}$  for UC3842BV, UC3843BV

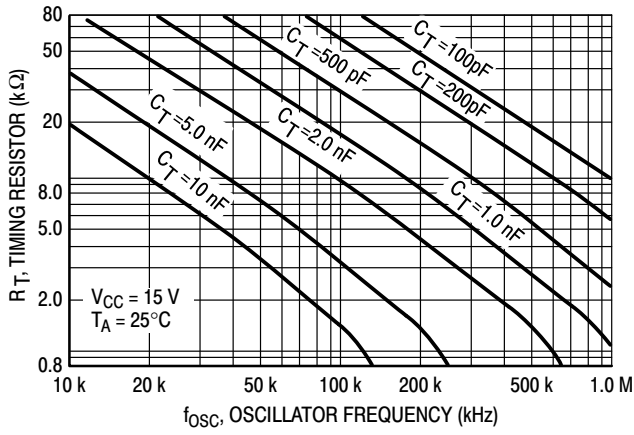


Figure 2. Timing Resistor versus Oscillator Frequency

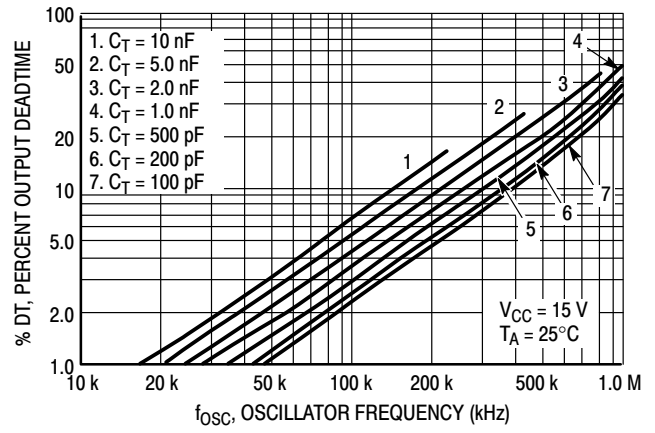


Figure 3. Output Deadtime versus Oscillator Frequency

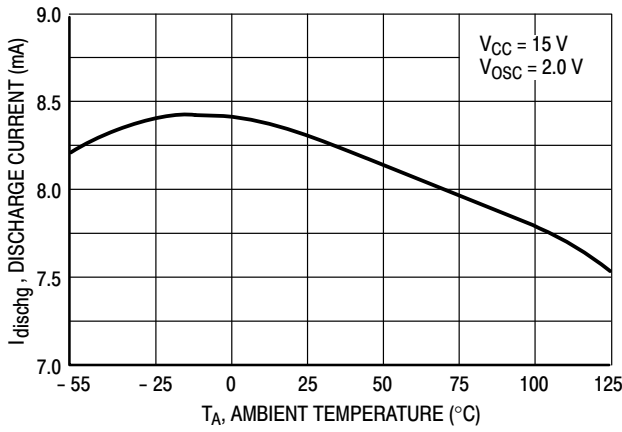


Figure 4. Oscillator Discharge Current versus Temperature

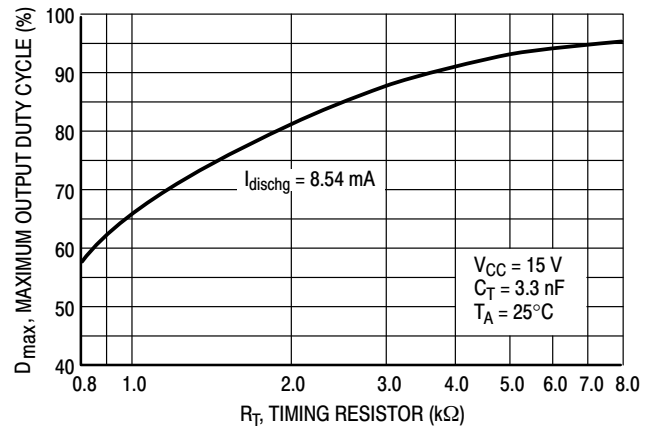


Figure 5. Maximum Output Duty Cycle versus Timing Resistor

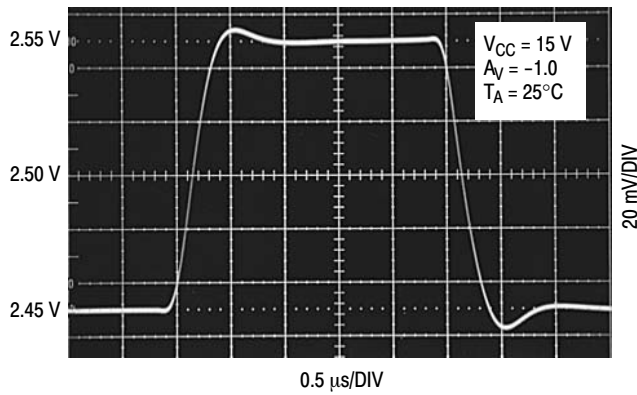


Figure 6. Error Amp Small Signal Transient Response

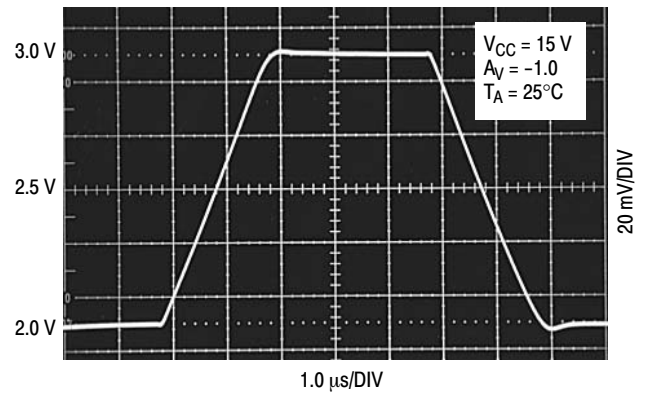


Figure 7. Error Amp Large Signal Transient Response

UC3842B, UC3843B, UC2842B, UC2843B

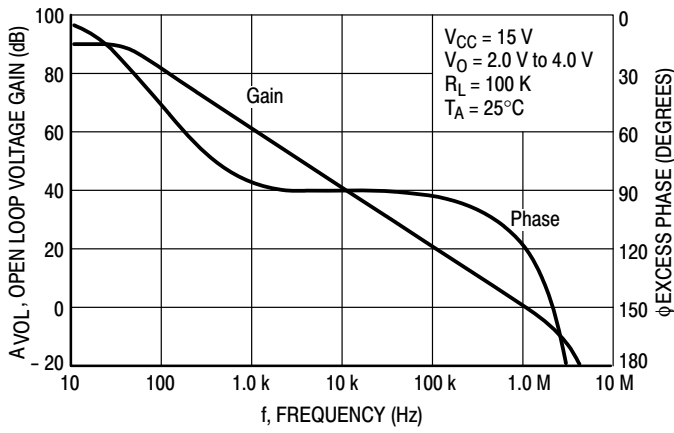


Figure 8. Error Amp Open Loop Gain and Phase versus Frequency

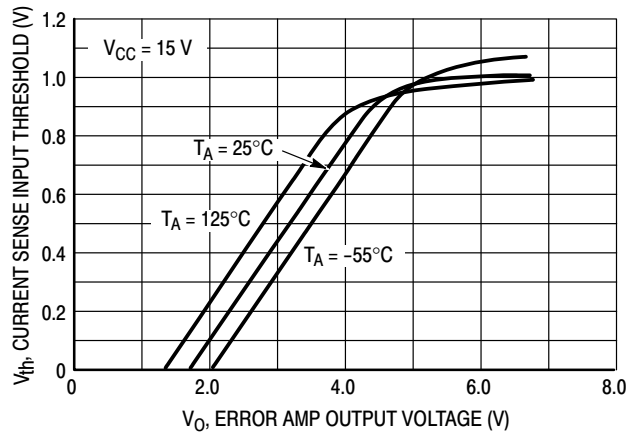


Figure 9. Current Sense Input Threshold versus Error Amp Output Voltage

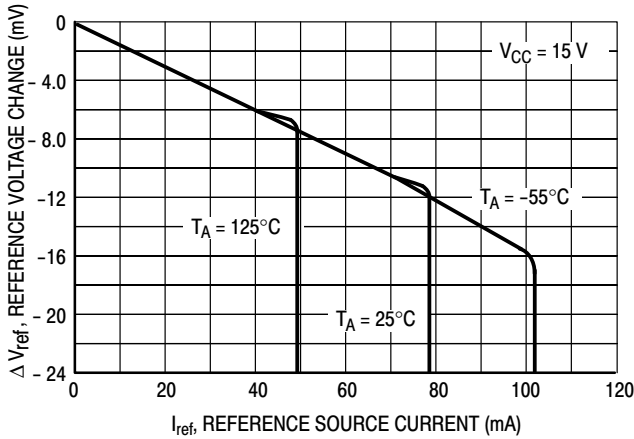


Figure 10. Reference Voltage Change versus Source Current

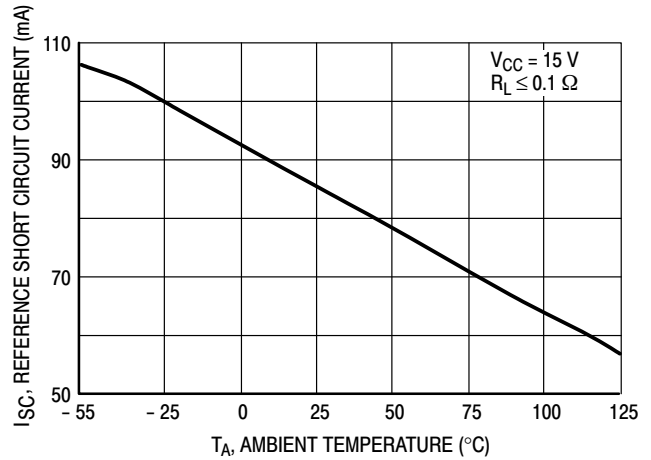


Figure 11. Reference Short Circuit Current versus Temperature

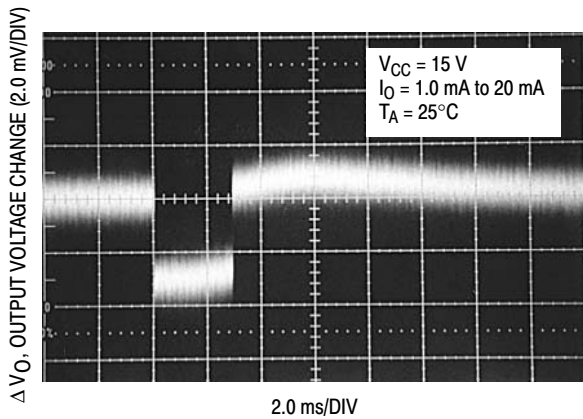


Figure 12. Reference Load Regulation

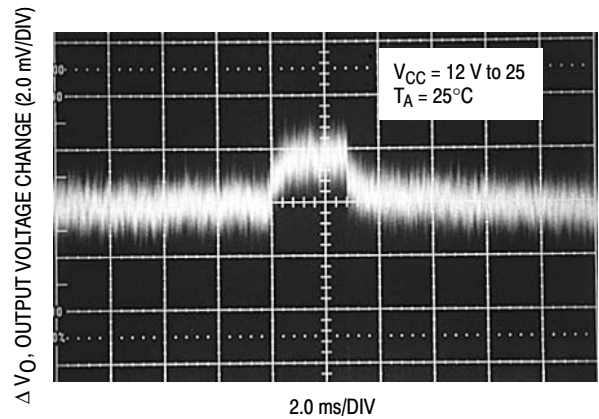


Figure 13. Reference Line Regulation

# UC3842B, UC3843B, UC2842B, UC2843B

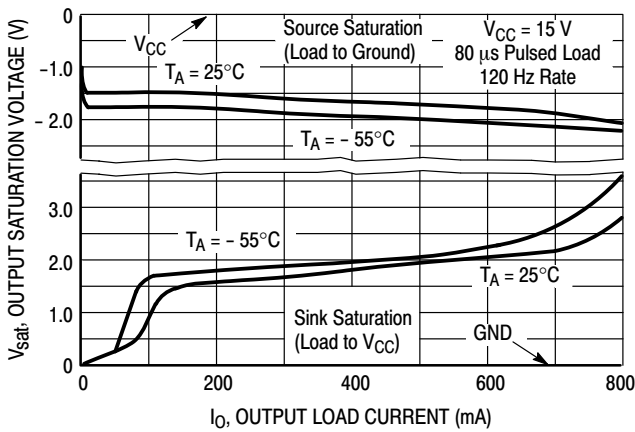


Figure 14. Output Saturation Voltage versus Load Current

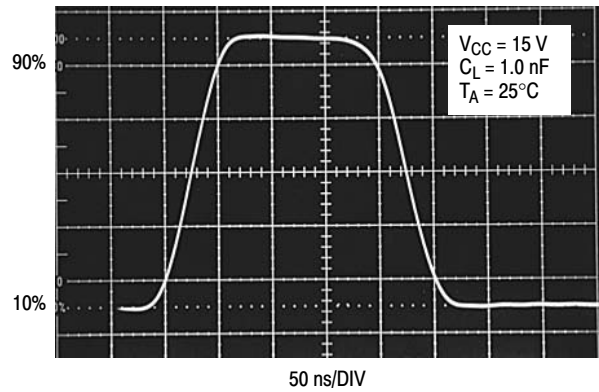


Figure 15. Output Waveform

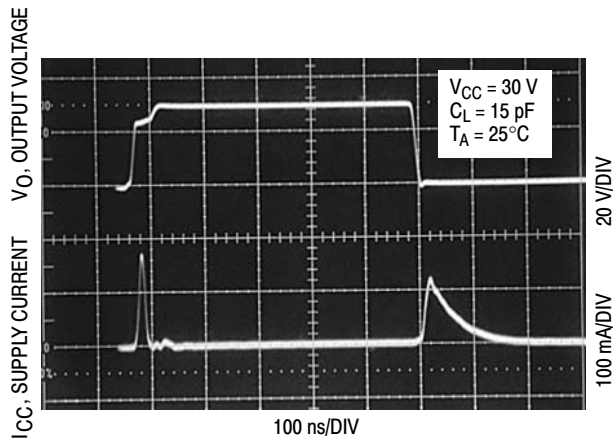


Figure 16. Output Cross Conduction

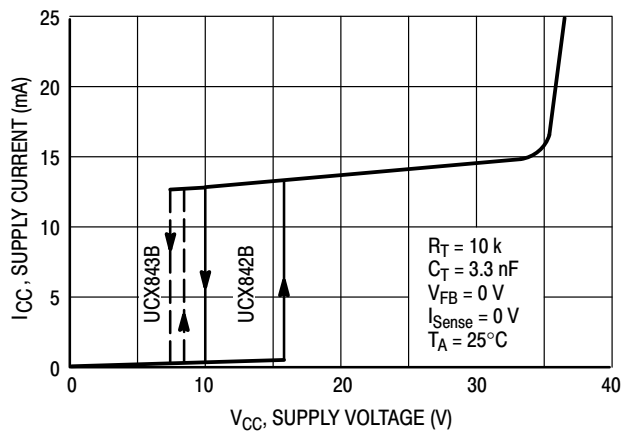


Figure 17. Supply Current versus Supply Voltage

## PIN FUNCTION DESCRIPTION

| 8-Pin | 14-Pin   | Function         | Description   |
|-------|----------|------------------|---|
| 1     | 1        | Compensation     | This pin is the Error Amplifier output and is made available for loop compensation.   |
| 2     | 3        | Voltage Feedback | This is the inverting input of the Error Amplifier. It is normally connected to the switching power supply output through a resistor divider.   |
| 3     | 5        | Current Sense    | A voltage proportional to inductor current is connected to this input. The PWM uses this information to terminate the output switch conduction.   |
| 4     | 7        | $R_T/C_T$        | The Oscillator frequency and maximum Output duty cycle are programmed by connecting resistor $R_T$ to $V_{ref}$ and capacitor $C_T$ to ground. Operation to 500 kHz is possible.                        |
| 5     |          | GND              | This pin is the combined control circuitry and power ground.  |
| 6     | 10       | Output           | This output directly drives the gate of a power MOSFET. Peak currents up to 1.0 A are sourced and sunk by this pin.   |
| 7     | 12       | $V_{CC}$         | This pin is the positive supply of the control IC.  |
| 8     | 14       | $V_{ref}$        | This is the reference output. It provides charging current for capacitor $C_T$ through resistor $R_T$ .   |
|       | 8        | Power Ground     | This pin is a separate power ground return that is connected back to the power source. It is used to reduce the effects of switching transient noise on the control circuitry.                          |
|       | 11       | $V_C$            | The Output high state ( $V_{OH}$ ) is set by the voltage applied to this pin. With a separate power source connection, it can reduce the effects of switching transient noise on the control circuitry. |
|       | 9        | GND              | This pin is the control circuitry ground return and is connected back to the power source ground.   |
|       | 2,4,6,13 | NC               | No connection. These pins are not internally connected.   |

OPERATING DESCRIPTION

The UC3842B, UC3843B series are high performance, fixed frequency, current mode controllers. They are specifically designed for Off-Line and DC-to-DC converter applications offering the designer a cost-effective solution with minimal external components. A representative block diagram is shown in Figure 19.

Oscillator

The oscillator frequency is programmed by the values chosen for the timing components  $R_T$  and  $C_T$ . It must also be noted that the value of  $R_T$  uniquely determines the maximum duty ratio of UC384xx. The oscillator configuration depicting the connection of the timing components to the  $R_T/C_T$  pin of the controller is shown in Figure 18. Capacitor  $C_T$  gets charged from the  $V_{ref}$  source, through resistor  $R_T$  to its peak threshold  $V_{RT/CT(peak)}$ , typically 2.8 V. Upon reaching this peak threshold voltage, an internal 8.3 mA current source,  $I_{dischg}$ , is enabled and the voltage across  $C_T$  begins to decrease. Once the voltage across  $C_T$  reaches its valley threshold,  $V_{RT/CT(valley)}$ , typically 1.2 V,  $I_{dischg}$  turns off. This allows capacitor  $C_T$  to charge up again from  $V_{ref}$ . This entire cycle repeats, and the resulting waveform on the  $R_T/C_T$  pin has a sawtooth shape. Typical waveforms are shown in Figure 20.

The oscillator thresholds are temperature compensated to within  $\pm 6\%$  at 50 kHz. Considering the general industry trend of operating switching controllers at higher frequencies, the UC384xx is guaranteed to operate within  $\pm 10\%$  at 250 kHz. These internal circuit refinements minimize variations of oscillator frequency and maximum duty ratio.

The charging and discharging times of the timing capacitor  $C_T$  are calculated using Equations 1 and 2. These equations do not take into account the propagation delays of the internal comparator. Hence, at higher frequencies, the calculated value of the oscillator frequency differs from the actual value.

$$t_{RT/CT(chg)} = R_T C_T \ln \left( \frac{V_{RT/CT(valley)} - V_{ref}}{V_{RT/CT(peak)} - V_{ref}} \right) \quad (eq. 1)$$

$$t_{RT/CT(dischg)} = R_T C_T \ln \left( \frac{R_T I_{dischg} + V_{RT/CT(peak)} - V_{ref}}{R_T I_{dischg} + V_{RT/CT(valley)} - V_{ref}} \right) \quad (eq. 2)$$

The maximum duty ratio,  $D_{max}$  is given by Equation 3.

$$D_{max} = \frac{t_{RT/CT(chg)}}{t_{RT/CT(chg)} + t_{RT/CT(dischg)}} \quad (eq. 3)$$

Substituting Equations 1 and 2 into Equation 3, and after algebraic simplification, we obtain

$$D_{max} = \frac{\ln \left( \frac{V_{RT/CT(valley)} - V_{ref}}{V_{RT/CT(peak)} - V_{ref}} \right)}{\ln \left( \frac{V_{RT/CT(valley)} - V_{ref}}{V_{RT/CT(peak)} - V_{ref}} \cdot \frac{R_T I_{dischg} + V_{RT/CT(peak)} - V_{ref}}{R_T I_{dischg} + V_{RT/CT(valley)} - V_{ref}} \right)} \quad (eq. 4)$$

Clearly, the maximum duty ratio is determined by the timing resistor  $R_T$ . Therefore,  $R_T$  is chosen such as to achieve a desired maximum duty ratio. Once  $R_T$  has been selected,  $C_T$  can now be chosen to obtain the desired switching frequency as per Equation 5.

$$f = \frac{1}{R_T C_T \ln \left( \frac{V_{RT/CT(valley)} - V_{ref}}{V_{RT/CT(peak)} - V_{ref}} \cdot \frac{R_T I_{dischg} + V_{RT/CT(peak)} - V_{ref}}{R_T I_{dischg} + V_{RT/CT(valley)} - V_{ref}} \right)} \quad (eq. 5)$$

Figure 2 shows the frequency and maximum duty ratio variation versus  $R_T$  for given values of  $C_T$ . Care should be taken to ensure that the absolute minimum value of  $R_T$  should not be less than 542  $\Omega$ . However, considering a 10% tolerance for the timing resistor, the nearest available standard resistor of 680  $\Omega$  is the absolute minimum that can be used to guarantee normal oscillator operation. If a timing resistor smaller than this value is used, then the charging current through the  $R_T, C_T$  path will exceed the pulldown (discharge) current and the oscillator will get permanently locked/latched to an undefined state.

In many noise-sensitive applications it may be desirable to frequency-lock the converter to an external system clock. This can be accomplished by applying a clock signal to the circuit shown in Figure 22. For reliable synchronization, the free-running oscillator frequency should be set about 10% less than the clock frequency. A method for multi-unit synchronization is shown in Figure 23. By tailoring the clock waveform, accurate Output duty ratio clamping can be achieved.

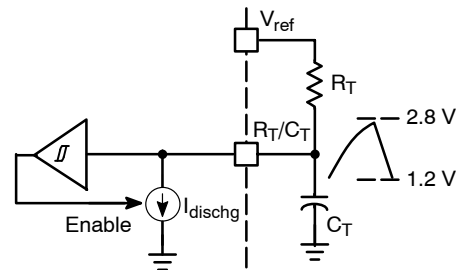


Figure 18. Oscillator Configuration

### Error Amplifier

A fully compensated Error Amplifier with access to the inverting input and output is provided. It features a typical DC voltage gain of 90 dB, and a unity gain bandwidth of 1.0 MHz with 57 degrees of phase margin (Figure 8). The non-inverting input is internally biased at 2.5 V and is not pinned out. The converter output voltage is typically divided down and monitored by the inverting input. The maximum input bias current is  $-2.0 \mu\text{A}$  which can cause an output voltage error that is equal to the product of the input bias current and the equivalent input divider source resistance.

The Error Amp Output (Pin 1) is provided for external loop compensation (Figure 33). The output voltage is offset by two diode drops ( $\approx 1.4 \text{ V}$ ) and divided by three before it connects to the non-inverting input of the Current Sense Comparator. This guarantees that no drive pulses appear at the Output (Pin 6) when pin 1 is at its lowest state ( $V_{OL}$ ). This occurs when the power supply is operating and the load is removed, or at the beginning of a soft-start interval (Figures 25, 26). The Error Amp minimum feedback resistance is limited by the amplifier's source current (0.5 mA) and the required output voltage ( $V_{OH}$ ) to reach the comparator's 1.0 V clamp level:

$$R_{f(\min)} \approx \frac{3.0 (1.0 \text{ V}) + 1.4 \text{ V}}{0.5 \text{ mA}} = 8800 \Omega$$

### Current Sense Comparator and PWM Latch

The UC3842B, UC3843B operate as a current mode controller, whereby output switch conduction is initiated by the oscillator and terminated when the peak inductor current reaches the threshold level established by the Error Amplifier Output/Compensation (Pin 1). Thus the error signal controls the peak inductor current on a cycle-by-cycle basis. The Current Sense Comparator PWM Latch configuration used ensures that only a single pulse

appears at the Output during any given oscillator cycle. The inductor current is converted to a voltage by inserting the ground-referenced sense resistor  $R_S$  in series with the source of output switch Q1. This voltage is monitored by the Current Sense Input (Pin 3) and compared to a level derived from the Error Amp Output. The peak inductor current under normal operating conditions is controlled by the voltage at pin 1 where:

$$I_{pk} = \frac{V_{(\text{Pin } 1)} - 1.4 \text{ V}}{3 R_S}$$

Abnormal operating conditions occur when the power supply output is overloaded or if output voltage sensing is lost. Under these conditions, the Current Sense Comparator threshold will be internally clamped to 1.0 V. Therefore the maximum peak switch current is:

$$I_{pk(\max)} = \frac{1.0 \text{ V}}{R_S}$$

When designing a high power switching regulator it becomes desirable to reduce the internal clamp voltage in order to keep the power dissipation of  $R_S$  to a reasonable level. A simple method to adjust this voltage is shown in Figure 24. The two external diodes are used to compensate the internal diodes, yielding a constant clamp voltage over temperature. Erratic operation due to noise pickup can result if there is an excessive reduction of the  $I_{pk(\max)}$  clamp voltage.

A narrow spike on the leading edge of the current waveform can usually be observed and may cause the power supply to exhibit an instability when the output is lightly loaded. This spike is due to the power transformer interwinding capacitance and output rectifier recovery time. The addition of an RC filter on the Current Sense Input with a time constant that approximates the spike duration will usually eliminate the instability (refer to Figure 28).

UC3842B, UC3843B, UC2842B, UC2843B

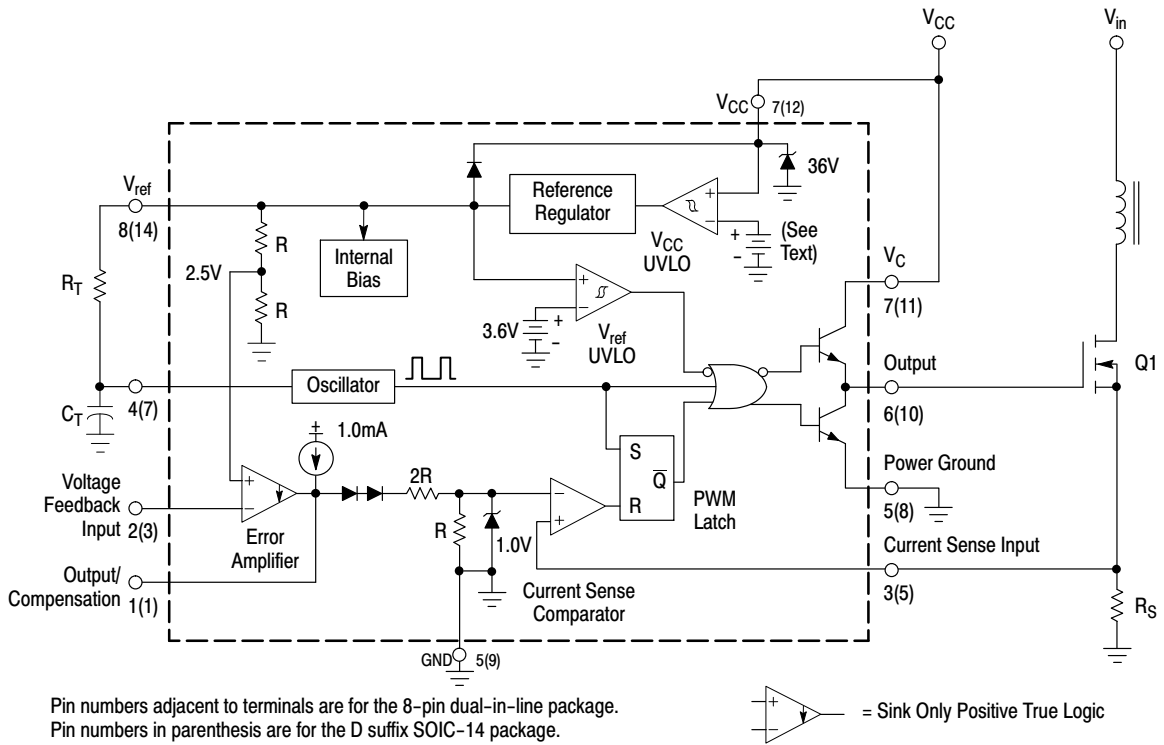


Figure 19. Representative Block Diagram

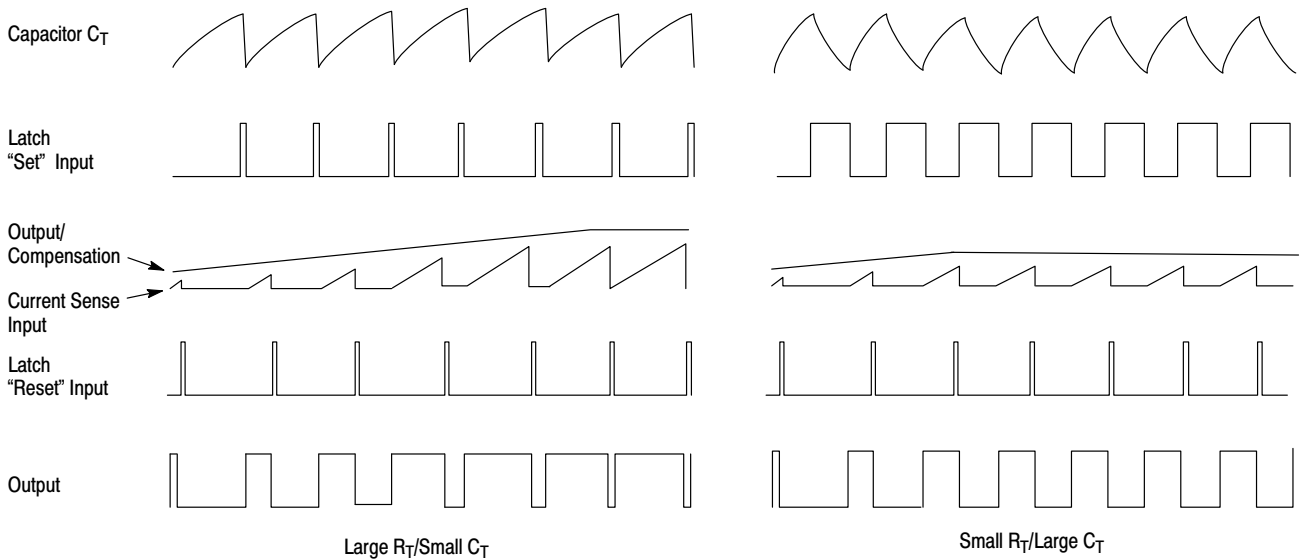


Figure 20. Timing Diagram

### Undervoltage Lockout

Two undervoltage lockout comparators have been incorporated to guarantee that the IC is fully functional before the output stage is enabled. The positive power supply terminal ( $V_{CC}$ ) and the reference output ( $V_{ref}$ ) are each monitored by separate comparators. Each has built-in hysteresis to prevent erratic output behavior as their respective thresholds are crossed. The  $V_{CC}$  comparator upper and lower thresholds are 16 V/10 V for the UCX842B, and 8.4 V/7.6 V for the UCX843B. The  $V_{ref}$  comparator upper and lower thresholds are 3.6 V/3.4 V. The large hysteresis and low startup current of the UCX842B makes it ideally suited in off-line converter applications where efficient bootstrap startup techniques are required (Figure 35). The UCX843B is intended for lower voltage DC-to-DC converter applications. A 36 V Zener is connected as a shunt regulator from  $V_{CC}$  to ground. Its purpose is to protect the IC from excessive voltage that can occur during system startup. The minimum operating voltage ( $V_{CC}$ ) for the UCX842B is 11 V and 8.2 V for the UCX843B.

These devices contain a single totem pole output stage that was specifically designed for direct drive of power MOSFETs. It is capable of up to  $\pm 1.0$  A peak drive current and has a typical rise and fall time of 50 ns with a 1.0 nF load. Additional internal circuitry has been added to keep the Output in a sinking mode whenever an undervoltage lockout is active. This characteristic eliminates the need for an external pull-down resistor.

The SOIC-14 surface mount package provides separate pins for  $V_C$  (output supply) and Power Ground. Proper implementation will significantly reduce the level of switching transient noise imposed on the control circuitry. This becomes particularly useful when reducing the  $I_{pk(max)}$  clamp level. The separate  $V_C$  supply input allows the designer added flexibility in tailoring the drive voltage independent of  $V_{CC}$ . A Zener clamp is typically connected to this input when driving power MOSFETs in systems where  $V_{CC}$  is greater than 20 V. Figure 27 shows proper power and control ground connections in a current-sensing power MOSFET application.

### Reference

The 5.0 V bandgap reference is trimmed to  $\pm 1.0\%$  tolerance at  $T_J = 25^\circ\text{C}$  on the UC284XB, and  $\pm 2.0\%$  on the UC384XB. Its primary purpose is to supply charging current to the oscillator timing capacitor. The reference has short-circuit protection and is capable of providing in excess of 20 mA for powering additional control system circuitry.

### Design Considerations

**Do not attempt to construct the converter on wire-wrap or plug-in prototype boards.** High frequency circuit layout techniques are imperative to prevent pulse-width jitter. This is usually caused by excessive noise pick-up imposed on the Current Sense or Voltage Feedback inputs. Noise immunity can be improved by lowering circuit impedances at these points. The printed circuit layout should contain a ground plane with low-current signal and high-current switch and output grounds returning on separate paths back to the input filter capacitor. Ceramic bypass capacitors (0.1  $\mu\text{F}$ ) connected directly to  $V_{CC}$ ,  $V_C$ , and  $V_{ref}$  may be required depending upon circuit layout. This provides a low impedance path for filtering the high frequency noise. All high current loops should be kept as short as possible using heavy copper runs to minimize radiated EMI. The Error Amp compensation circuitry and the converter output voltage divider should be located close to the IC and as far as possible from the power switch and other noise-generating components.

Current mode converters can exhibit subharmonic oscillations when operating at a duty cycle greater than 50% with continuous inductor current. This instability is independent of the regulator's closed loop characteristics and is caused by the simultaneous operating conditions of fixed frequency and peak current detecting. Figure 21A shows the phenomenon graphically. At  $t_0$ , switch conduction begins, causing the inductor current to rise at a slope of  $m_1$ . This slope is a function of the input voltage divided by the inductance. At  $t_1$ , the Current Sense Input reaches the threshold established by the control voltage. This causes the switch to turn off and the current to decay at a slope of  $m_2$ , until the next oscillator cycle. The unstable condition can be shown if a perturbation is added to the control voltage, resulting in a small  $\Delta I$  (dashed line). With a fixed oscillator period, the current decay time is reduced, and the minimum current at switch turn-on ( $t_2$ ) is increased by  $\Delta I + \Delta I m_2/m_1$ . The minimum current at the next cycle ( $t_3$ ) decreases to  $(\Delta I + \Delta I m_2/m_1) (m_2/m_1)$ . This perturbation is multiplied by  $m_2/m_1$  on each succeeding cycle, alternately increasing and decreasing the inductor current at switch turn-on. Several oscillator cycles may be required before the inductor current reaches zero causing the process to commence again. If  $m_2/m_1$  is greater than 1, the converter will be unstable. Figure 21B shows that by adding an artificial ramp that is synchronized with the PWM clock to the control voltage, the  $\Delta I$  perturbation will decrease to zero on succeeding cycles. This compensating ramp ( $m_3$ ) must have a slope equal to or slightly greater than  $m_2/2$  for stability. With  $m_2/2$  slope compensation, the average inductor current follows the control voltage, yielding true current mode operation. The compensating ramp can be derived from the oscillator and added to either the Voltage Feedback or Current Sense inputs (Figure 34).

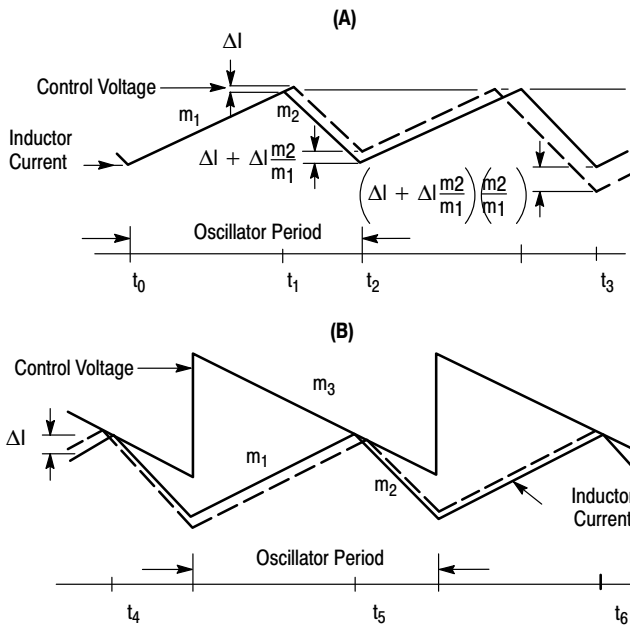
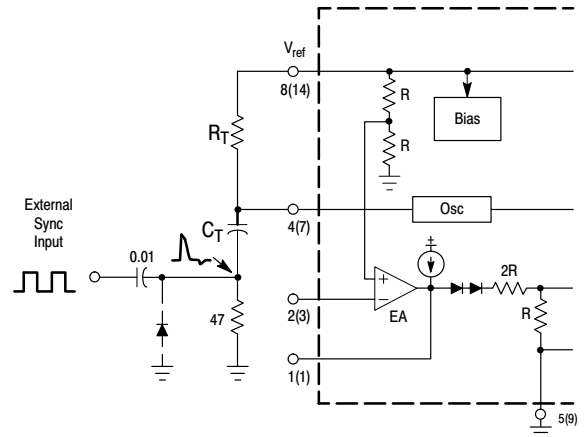


Figure 21. Continuous Current Waveforms



The diode clamp is required if the Sync amplitude is large enough to cause the bottom side of  $C_T$  to go more than 300 mV below ground.

Figure 22. External Clock Synchronization

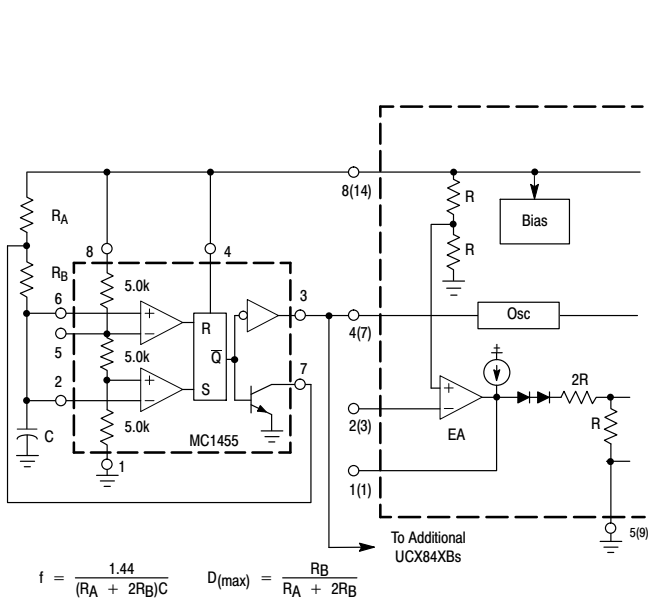


Figure 23. External Duty Cycle Clamp and Multi-Unit Synchronization

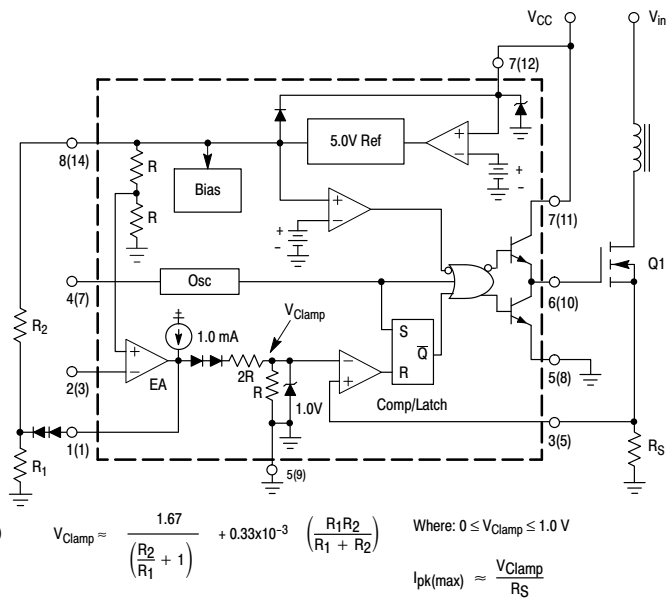


Figure 24. Adjustable Reduction of Clamp Level

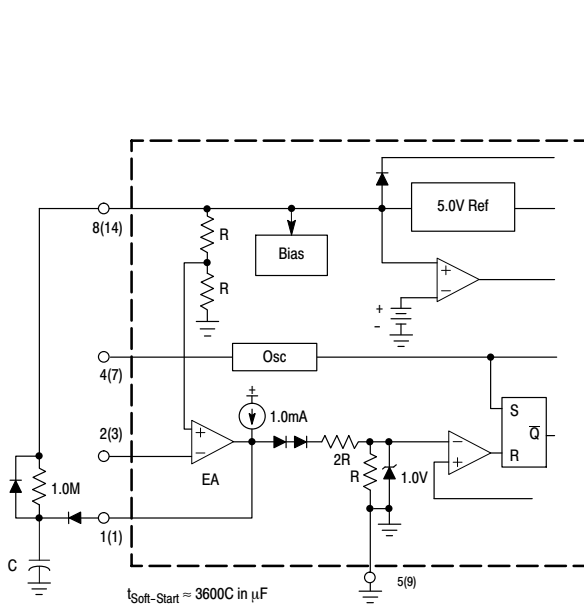


Figure 25. Soft-Start Circuit

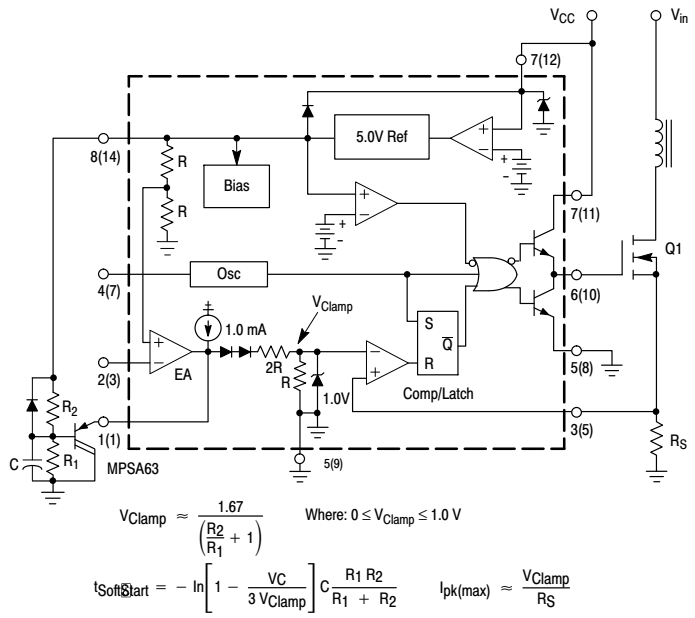
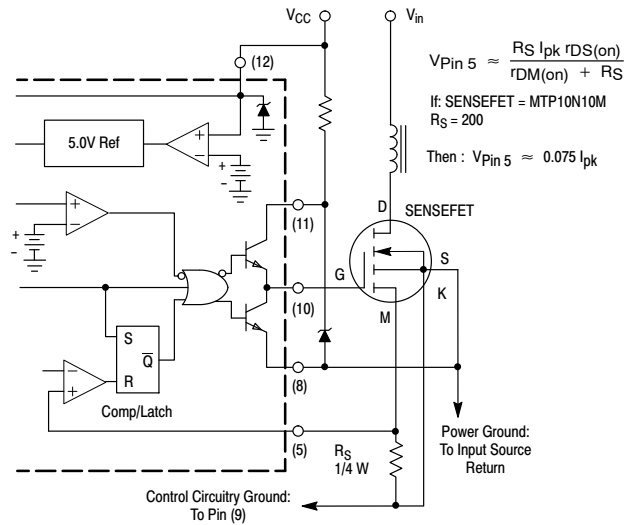
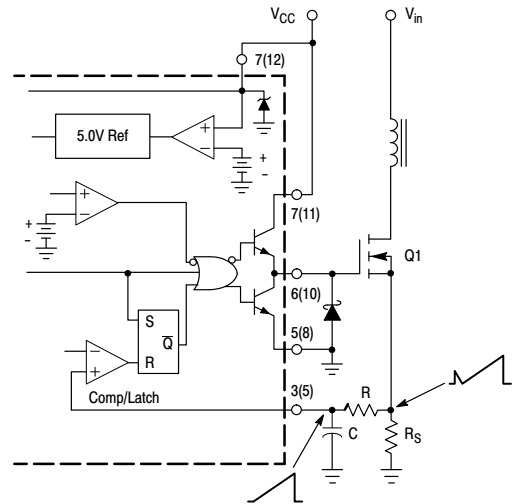


Figure 26. Adjustable Buffered Reduction of Clamp Level with Soft-Start



Virtually lossless current sensing can be achieved with the implementation of a SENSEFET power switch. For proper operation during over-current conditions, a reduction of the  $I_{pk(max)}$  clamp level must be implemented. Refer to Figures 24 and 26.

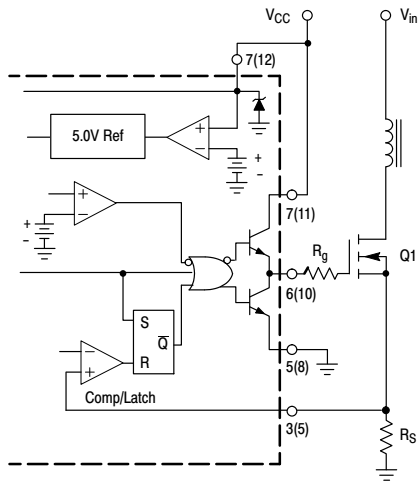
Figure 27. Current Sensing Power MOSFET



The addition of the RC filter will eliminate instability caused by the leading edge spike on the current waveform.

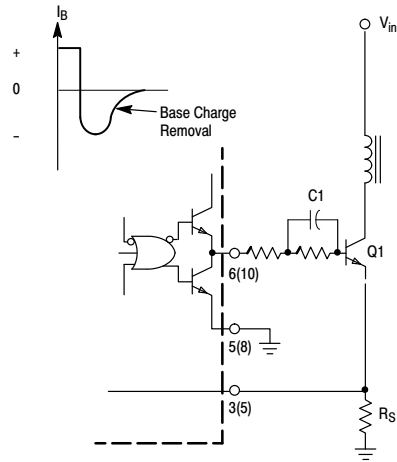
Figure 28. Current Waveform Spike Suppression

# UC3842B, UC3843B, UC2842B, UC2843B



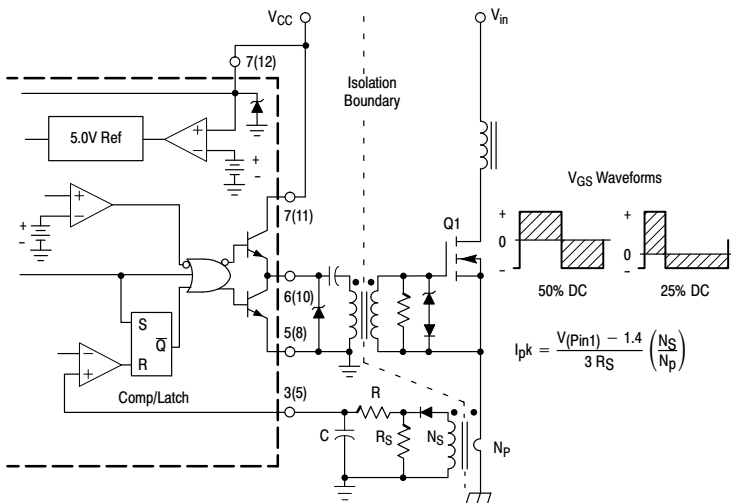
Series gate resistor  $R_g$  will damp any high frequency parasitic oscillations caused by the MOSFET input capacitance and any series wiring inductance in the gate-source circuit.

**Figure 29. MOSFET Parasitic Oscillations**

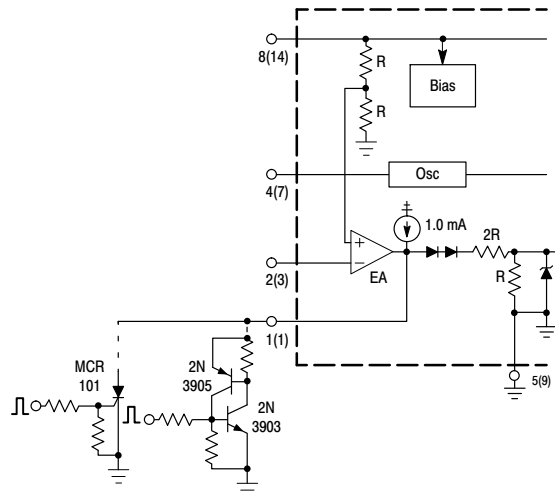


The totem pole output can furnish negative base current for enhanced transistor turn-off, with the addition of capacitor  $C_1$ .

**Figure 30. Bipolar Transistor Drive**



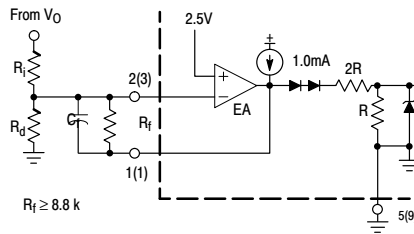
**Figure 31. Isolated MOSFET Drive**



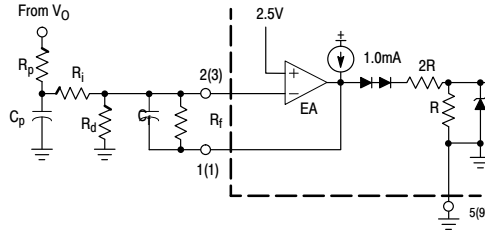
The MCR101 SCR must be selected for a holding of  $< 0.5 \text{ mA}$  @  $T_A(\text{min})$ . The simple two transistor circuit can be used in place of the SCR as shown. All resistors are 10 k.

**Figure 32. Latched Shutdown**

# UC3842B, UC3843B, UC2842B, UC2843B

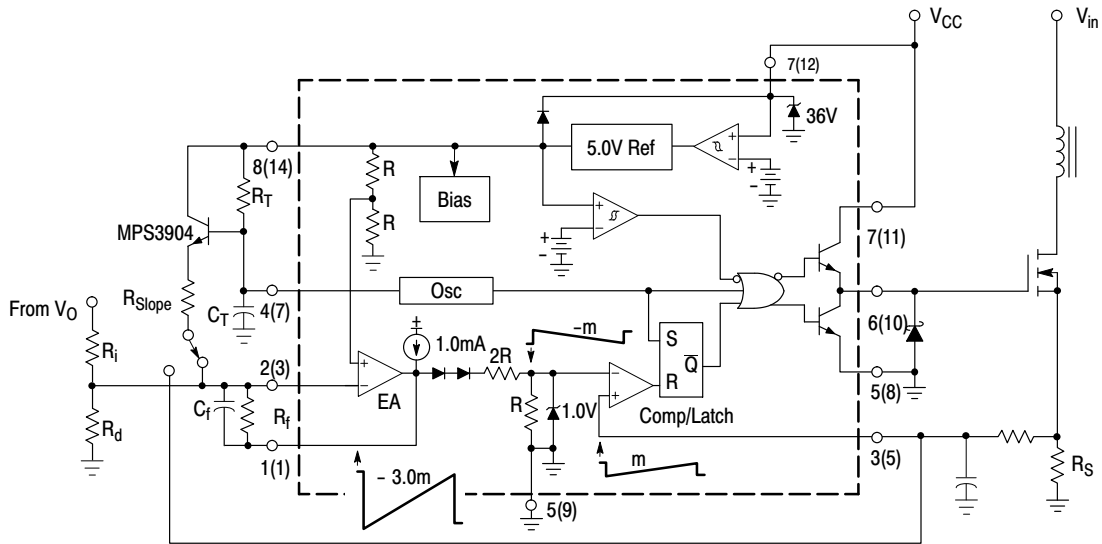


Error Amp compensation circuit for stabilizing any current mode topology except for boost and flyback converters operating with continuous inductor current.



Error Amp compensation circuit for stabilizing current mode boost and flyback topologies operating with continuous inductor current.

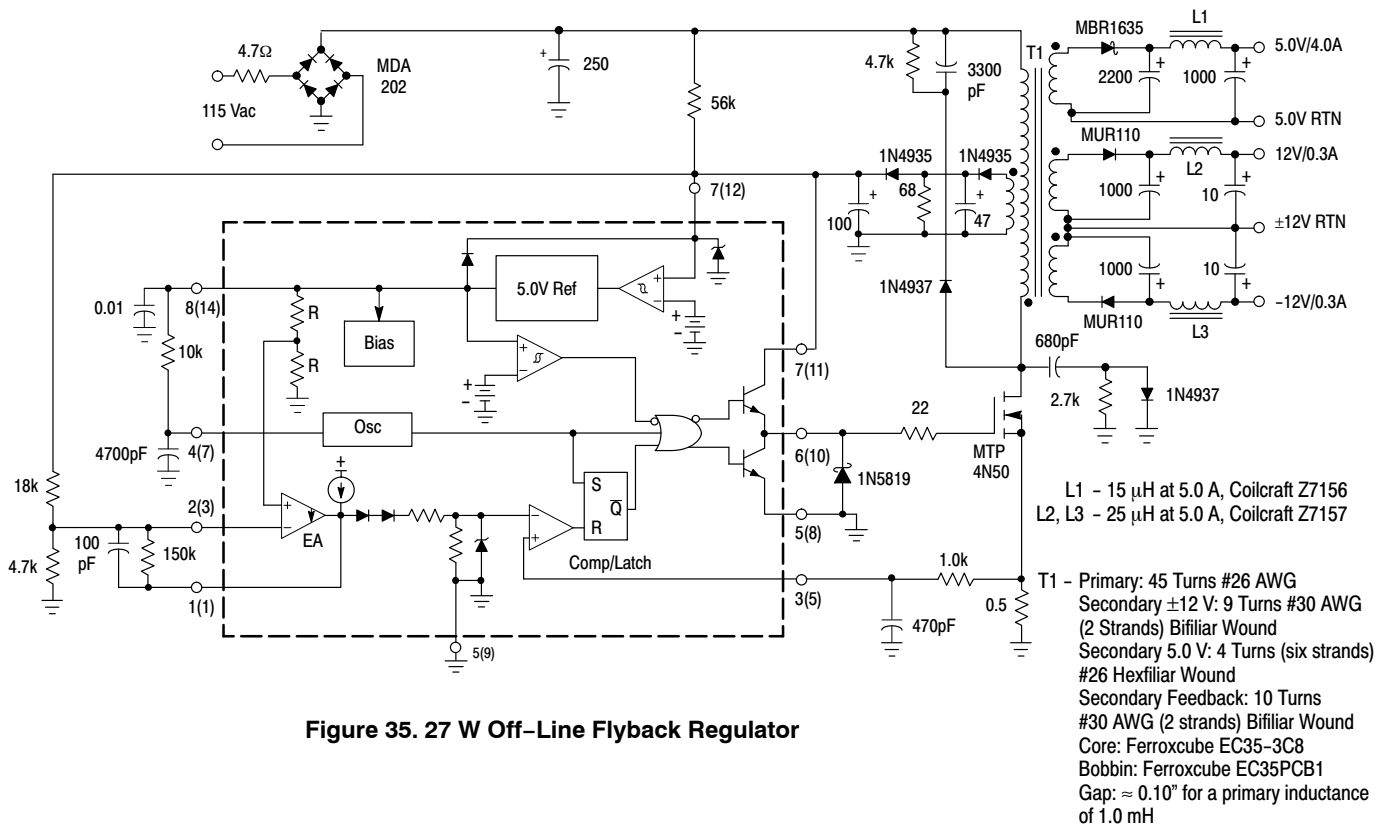
**Figure 33. Error Amplifier Compensation**



The buffered oscillator ramp can be resistively summed with either the voltage feedback or current sense inputs to provide slope compensation.

**Figure 34. Slope Compensation**

# UC3842B, UC3843B, UC2842B, UC2843B



| Test                              | Conditions   | Results  |
|-----------------------------------|--|--|
| Line Regulation: 5.0 V $\pm$ 12 V | $V_{in} = 95$ to 130 Vac   | $\Delta = 50$ mV or $\pm 0.5\%$<br>$\Delta = 24$ mV or $\pm 0.1\%$   |
| Load Regulation: 5.0 V $\pm$ 12 V | $V_{in} = 115$ Vac,<br>$I_{out} = 1.0$ A to 4.0 A<br>$V_{in} = 115$ Vac,<br>$I_{out} = 100$ mA to 300 mA | $\Delta = 300$ mV or $\pm 3.0\%$<br>$\Delta = 60$ mV or $\pm 0.25\%$ |
| Output Ripple: 5.0 V $\pm$ 12 V   | $V_{in} = 115$ Vac   | 40 mV <sub>pp</sub><br>80 mV <sub>pp</sub>                           |
| Efficiency                        | $V_{in} = 115$ Vac   | 70%  |

All outputs are at nominal load currents, unless otherwise noted

## UC3842B, UC3843B, UC2842B, UC2843B

### ORDERING INFORMATION

| Device        | Operating Temperature Range                       | Package              | Shipping†        |
|---------------|---|----------------------|------------------|
| UC2842BDG     | $T_A = -25^\circ \text{ to } +85^\circ \text{C}$  | SOIC-14<br>(Pb-Free) | 55 Units/Rail    |
| UC2842BD1G    |   | SOIC-8<br>(Pb-Free)  | 98 Units/Rail    |
| UC2842BD1R2G  |   | SOIC-8<br>(Pb-Free)  | 2500 Tape & Reel |
| UC2842BNG     |   | PDIP-8<br>(Pb-Free)  | 1000 Units/Rail  |
| UC3842BNG     | $T_A = 0^\circ \text{ to } +70^\circ \text{C}$    | PDIP-8<br>(Pb-Free)  | 1000 Units/Rail  |
| UC3842BDG     |   | SOIC-14<br>(Pb-Free) | 55 Units/Rail    |
| UC3842BDR2G   |   | SOIC-14<br>(Pb-Free) | 2500 Tape & Reel |
| UC3842BD1G    |   | SOIC-8<br>(Pb-Free)  | 98 Units/Rail    |
| UC3842BD1R2G  |   | SOIC-8<br>(Pb-Free)  | 2500 Tape & Reel |
| UC3842BVDR2G  | $T_A = -40^\circ \text{ to } +105^\circ \text{C}$ | SOIC-14<br>(Pb-Free) | 2500 Tape & Reel |
| UC3842BVD1G   |   | SOIC-8<br>(Pb-Free)  | 98 Units/Rail    |
| UC3842BVD1R2G |   | SOIC-8<br>(Pb-Free)  | 2500 Tape & Reel |
| UC2843BDG     | $T_A = -25^\circ \text{ to } +85^\circ \text{C}$  | SOIC-14<br>(Pb-Free) | 55 Units/Rail    |
| UC2843BDR2G   |   | SOIC-14<br>(Pb-Free) | 2500 Tape & Reel |
| UC2843BD1G    |   | SOIC-8<br>(Pb-Free)  | 98 Units/Rail    |
| UC2843BD1R2G  | $T_A = -25^\circ \text{ to } +85^\circ \text{C}$  | SOIC-8<br>(Pb-Free)  | 2500 Tape & Reel |
| UC2843BNG     |   | PDIP-8<br>(Pb-Free)  | 1000 Units/Rail  |
| UC2843DD1R2G  | $T_A = -40^\circ \text{ to } +85^\circ \text{C}$  | SOIC-8<br>(Pb-Free)  | 2500 Tape & Reel |
| UC2843DDR2G   |   | SOIC-8<br>(Pb-Free)  | 2500 Tape & Reel |

†For information on tape and reel specifications, including part orientation and tape sizes, please refer to our Tape and Reel Packaging Specifications Brochure, BRD8011/D.

## UC3842B, UC3843B, UC2842B, UC2843B

### ORDERING INFORMATION

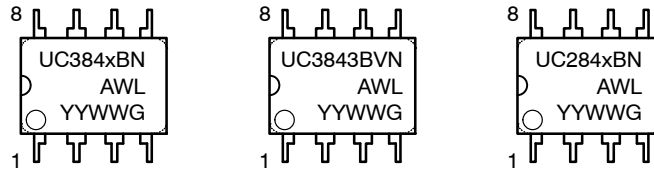
| Device        | Operating Temperature Range                      | Package              | Shipping†        |
|---------------|--|----------------------|------------------|
| UC3843BDG     | $T_A = 0^\circ \text{ to } +70^\circ\text{C}$    | SOIC-14<br>(Pb-Free) | 55 Units/Rail    |
| UC3843BDR2G   |  | SOIC-14<br>(Pb-Free) | 2500 Tape & Reel |
| UC3843BD1G    |  | SOIC-8<br>(Pb-Free)  | 98 Units/Rail    |
| UC3843BD1R2G  |  | SOIC-8<br>(Pb-Free)  | 2500 Tape & Reel |
| UC3843BDR2G   |  | SOIC-14<br>(Pb-Free) | 2500 Tape & Reel |
| UC3843BNG     |  | PDIP-8<br>(Pb-Free)  | 1000 Units/Rail  |
| UC3843BVDG    | $T_A = -40^\circ \text{ to } +105^\circ\text{C}$ | SOIC-14<br>(Pb-Free) | 55 Units/Rail    |
| UC3843BVDR2G  |  | SOIC-14<br>(Pb-Free) | 2500 Tape & Reel |
| UC3843BVD1G   |  | SOIC-8<br>(Pb-Free)  | 98 Units/Rail    |
| UC3843BVD1R2G |  | SOIC-8<br>(Pb-Free)  | 2500 Tape & Reel |
| UC3843BVNG    |  | PDIP-8<br>(Pb-Free)  | 1000 Units/Rail  |

†For information on tape and reel specifications, including part orientation and tape sizes, please refer to our Tape and Reel Packaging Specifications Brochure, BRD8011/D.

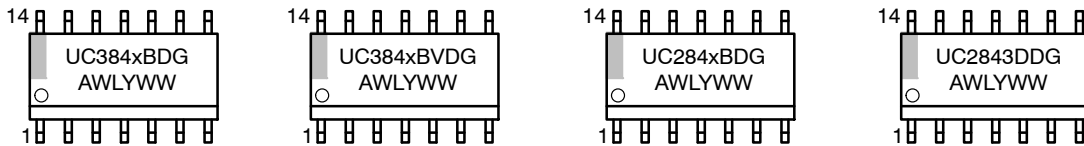
# UC3842B, UC3843B, UC2842B, UC2843B

## MARKING DIAGRAMS

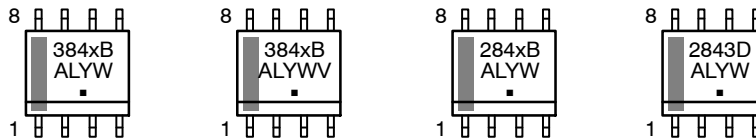
### PDIP-8 N SUFFIX CASE 626



### SOIC-14 D SUFFIX CASE 751A



### SOIC-8 D1 SUFFIX CASE 751

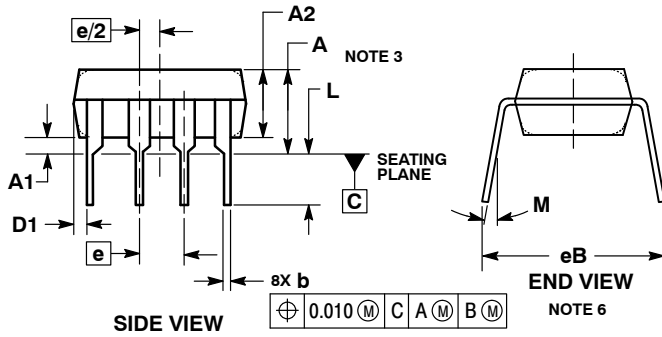
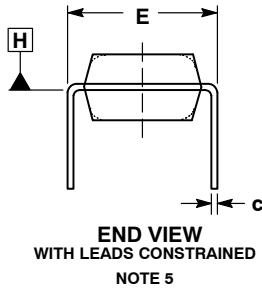
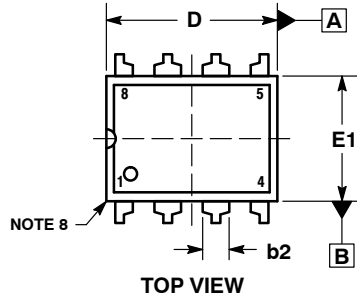


x = 2 or 3  
 A = Assembly Location  
 WL, L = Wafer Lot  
 YY, Y = Year  
 WW, W = Work Week  
 G or ■ = Pb-Free Package

# UC3842B, UC3843B, UC2842B, UC2843B

## PACKAGE DIMENSIONS

PDIP-8  
N SUFFIX  
CASE 626-05  
ISSUE N



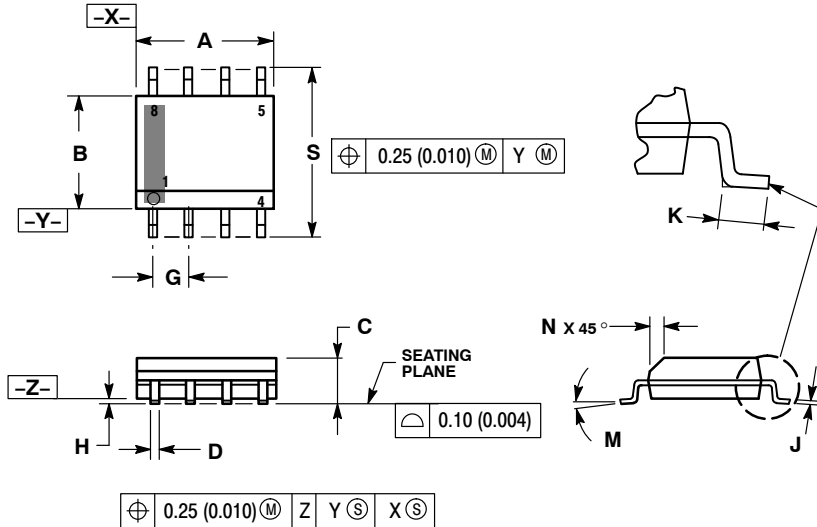
**NOTES:**

1. DIMENSIONING AND TOLERANCING PER ASME Y14.5M, 1994.
2. CONTROLLING DIMENSION: INCHES.
3. DIMENSIONS A, A1 AND L ARE MEASURED WITH THE PACKAGE SEATED IN JEDEC SEATING PLANE GAUGE GS-3.
4. DIMENSIONS D, D1 AND E1 DO NOT INCLUDE MOLD FLASH OR PROTRUSIONS. MOLD FLASH OR PROTRUSIONS ARE NOT TO EXCEED 0.10 INCH.
5. DIMENSION E IS MEASURED AT A POINT 0.015 BELOW DATUM PLANE H WITH THE LEADS CONSTRAINED PERPENDICULAR TO DATUM C.
6. DIMENSION E3 IS MEASURED AT THE LEAD TIPS WITH THE LEADS UNCONSTRAINED.
7. DATUM PLANE H IS COINCIDENT WITH THE BOTTOM OF THE LEADS, WHERE THE LEADS EXIT THE BODY.
8. PACKAGE CONTOUR IS OPTIONAL (ROUNDED OR SQUARE CORNERS).

| DIM | INCHES    |       | MILLIMETERS |       |
|-----|-----------|-------|-------------|-------|
|     | MIN       | MAX   | MIN         | MAX   |
| A   | ----      | 0.210 | ---         | 5.33  |
| A1  | 0.015     | ----  | 0.38        | ---   |
| A2  | 0.115     | 0.195 | 2.92        | 4.95  |
| b   | 0.014     | 0.022 | 0.35        | 0.56  |
| b2  | 0.060 TYP |       | 1.52 TYP    |       |
| C   | 0.008     | 0.014 | 0.20        | 0.36  |
| D   | 0.355     | 0.400 | 9.02        | 10.16 |
| D1  | 0.005     | ----  | 0.13        | ---   |
| E   | 0.300     | 0.325 | 7.62        | 8.26  |
| E1  | 0.240     | 0.280 | 6.10        | 7.11  |
| e   | 0.100 BSC |       | 2.54 BSC    |       |
| eB  | ----      | 0.430 | ---         | 10.92 |
| L   | 0.115     | 0.150 | 2.92        | 3.81  |
| M   | ----      | 10°   | ----        | 10°   |

PACKAGE DIMENSIONS

SOIC-8  
D1 SUFFIX  
CASE 751-07  
ISSUE AK

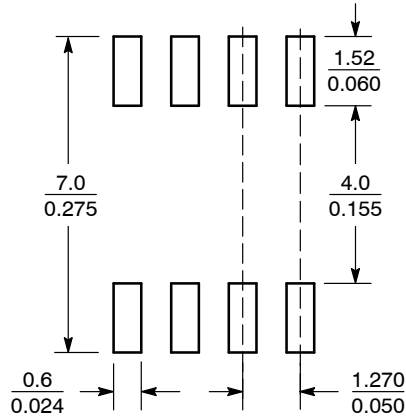


NOTES:

1. DIMENSIONING AND TOLERANCING PER ANSI Y14.5M, 1982.
2. CONTROLLING DIMENSION: MILLIMETER.
3. DIMENSION A AND B DO NOT INCLUDE MOLD PROTRUSION.
4. MAXIMUM MOLD PROTRUSION 0.15 (0.006) PER SIDE.
5. DIMENSION D DOES NOT INCLUDE DAMBAR PROTRUSION. ALLOWABLE DAMBAR PROTRUSION SHALL BE 0.127 (0.005) TOTAL IN EXCESS OF THE D DIMENSION AT MAXIMUM MATERIAL CONDITION.
6. 751-01 THRU 751-06 ARE OBSOLETE. NEW STANDARD IS 751-07.

| DIM | MILLIMETERS |      | INCHES    |       |
|-----|-------------|------|-----------|-------|
|     | MIN         | MAX  | MIN       | MAX   |
| A   | 4.80        | 5.00 | 0.189     | 0.197 |
| B   | 3.80        | 4.00 | 0.150     | 0.157 |
| C   | 1.35        | 1.75 | 0.053     | 0.069 |
| D   | 0.33        | 0.51 | 0.013     | 0.020 |
| G   | 1.27 BSC    |      | 0.050 BSC |       |
| H   | 0.10        | 0.25 | 0.004     | 0.010 |
| J   | 0.19        | 0.25 | 0.007     | 0.010 |
| K   | 0.40        | 1.27 | 0.016     | 0.050 |
| M   | 0°          |      | 8°        |       |
| N   | 0.25        | 0.50 | 0.010     | 0.020 |
| S   | 5.80        | 6.20 | 0.228     | 0.244 |

SOLDERING FOOTPRINT\*



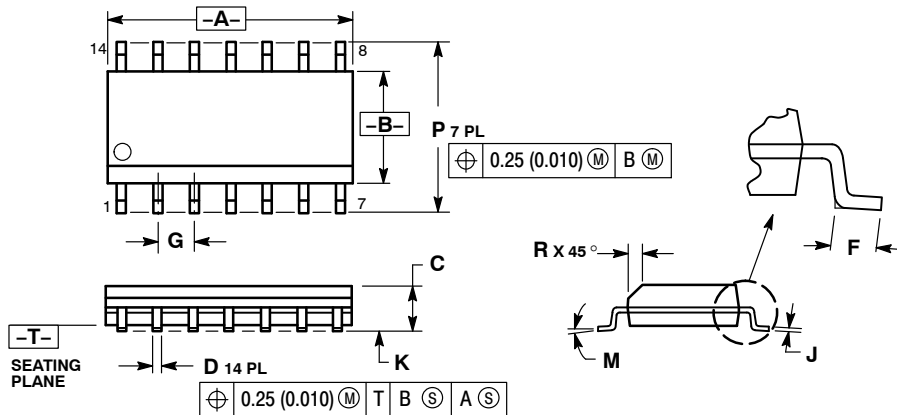
SCALE 6:1 (mm/inches)

\*For additional information on our Pb-Free strategy and soldering details, please download the ON Semiconductor Soldering and Mounting Techniques Reference Manual, SOLDERRM/D.

# UC3842B, UC3843B, UC2842B, UC2843B

## PACKAGE DIMENSIONS

SOIC-14  
D SUFFIX  
CASE 751A-03  
ISSUE J

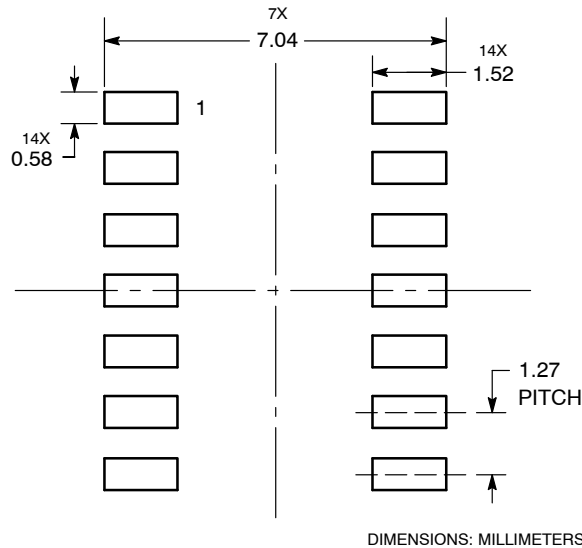


### NOTES:

1. DIMENSIONING AND TOLERANCING PER ANSI Y14.5M, 1982.
2. CONTROLLING DIMENSION: MILLIMETER.
3. DIMENSIONS A AND B DO NOT INCLUDE MOLD PROTRUSION.
4. MAXIMUM MOLD PROTRUSION 0.15 (0.006) PER SIDE.
5. DIMENSION D DOES NOT INCLUDE DAMBAR PROTRUSION. ALLOWABLE DAMBAR PROTRUSION SHALL BE 0.127 (0.005) TOTAL IN EXCESS OF THE D DIMENSION AT MAXIMUM MATERIAL CONDITION.

| DIM | MILLIMETERS |      | INCHES    |       |
|-----|-------------|------|-----------|-------|
|     | MIN         | MAX  | MIN       | MAX   |
| A   | 8.55        | 8.75 | 0.337     | 0.344 |
| B   | 3.80        | 4.00 | 0.150     | 0.157 |
| C   | 1.35        | 1.75 | 0.054     | 0.068 |
| D   | 0.35        | 0.49 | 0.014     | 0.019 |
| F   | 0.40        | 1.25 | 0.016     | 0.049 |
| G   | 1.27 BSC    |      | 0.050 BSC |       |
| J   | 0.19        | 0.25 | 0.008     | 0.009 |
| K   | 0.10        | 0.25 | 0.004     | 0.009 |
| M   | 0°          | 7°   | 0°        | 7°    |
| P   | 5.80        | 6.20 | 0.228     | 0.244 |
| R   | 0.25        | 0.50 | 0.010     | 0.019 |

## SOLDERING FOOTPRINT



SENSEFET is a trademark of Semiconductor Components Industries, LLC.

**ON Semiconductor** and **ON** are registered trademarks of Semiconductor Components Industries, LLC (SCILLC). SCILLC owns the rights to a number of patents, trademarks, copyrights, trade secrets, and other intellectual property. A listing of SCILLC's product/patent coverage may be accessed at [www.onsemi.com/site/pdf/Patent-Marking.pdf](http://www.onsemi.com/site/pdf/Patent-Marking.pdf). SCILLC reserves the right to make changes without further notice to any products herein. SCILLC makes no warranty, representation or guarantee regarding the suitability of its products for any particular purpose, nor does SCILLC assume any liability arising out of the application or use of any product or circuit, and specifically disclaims any and all liability, including without limitation special, consequential or incidental damages. "Typical" parameters which may be provided in SCILLC data sheets and/or specifications can and do vary in different applications and actual performance may vary over time. All operating parameters, including "Typicals" must be validated for each customer application by customer's technical experts. SCILLC does not convey any license under its patent rights nor the rights of others. SCILLC products are not designed, intended, or authorized for use as components in systems intended for surgical implant into the body, or other applications intended to support or sustain life, or for any other application in which the failure of the SCILLC product could create a situation where personal injury or death may occur. Should Buyer purchase or use SCILLC products for any such unintended or unauthorized application, Buyer shall indemnify and hold SCILLC and its officers, employees, subsidiaries, affiliates, and distributors harmless against all claims, costs, damages, and expenses, and reasonable attorney fees arising out of, directly or indirectly, any claim of personal injury or death associated with such unintended or unauthorized use, even if such claim alleges that SCILLC was negligent regarding the design or manufacture of the part. SCILLC is an Equal Opportunity/Affirmative Action Employer. This literature is subject to all applicable copyright laws and is not for resale in any manner.

## PUBLICATION ORDERING INFORMATION

**LITERATURE FULFILLMENT:**  
Literature Distribution Center for ON Semiconductor  
P.O. Box 5163, Denver, Colorado 80217 USA  
**Phone:** 303-675-2175 or 800-344-3860 Toll Free USA/Canada  
**Fax:** 303-675-2176 or 800-344-3867 Toll Free USA/Canada  
**Email:** [orderlit@onsemi.com](mailto:orderlit@onsemi.com)

**N. American Technical Support:** 800-282-9855 Toll Free  
USA/Canada  
**Europe, Middle East and Africa Technical Support:**  
Phone: 421 33 790 2910  
**Japan Customer Focus Center**  
Phone: 81-3-5817-1050

**ON Semiconductor Website:** [www.onsemi.com](http://www.onsemi.com)  
**Order Literature:** <http://www.onsemi.com/orderlit>

For additional information, please contact your local Sales Representative

## Looking for pricing, stock, or lifecycle information?

Click below to explore more details on WIN SOURCE:

 [View UC3843BDG on WIN SOURCE](#)

 [ON Semiconductor](#) Information

## Optimize Your Supply Chain with WIN SOURCE Solutions

-  Global Sourcing Solution
-  Obsolete Management
-  Cost Control Management
-  Shortage Management
-  Alternative Solution
-  Excess Inventory Management