



**THE DATASHEET OF  
XRP6272ITC5TR-F**



## GENERAL DESCRIPTION

The XRP6272 is a low dropout voltage regulator capable of a constant output current up to 2 Amps. A wide 1.8V to 6V input voltage range allows for single supply operations from industry standard 1.8V, 2.8V, 3.3V, and 5V power rails as well as the 5.8V rail.

With better than  $\pm 2\%$  output voltage accuracy, low output noise and high Power Supply Rejection Ratio (PSRR), the XRP6272 is perfectly suited for powering RF circuitries. Optimized for use with small low cost ESR ceramic output capacitors and featuring a low 30 $\mu$ A quiescent current, this device is also adequate for use in battery powered portable equipments. The XRP6272 operates by default as a 5V fixed output voltage regulator while usage of an external resistors divider allows adjustable out voltages as low as 0.7V. An Enable function, Power Good flag and output noise reduction pin complete the feature set.

Built-in current limit and thermal protections insure safe operations under abnormal operating conditions.

The XRP6272 is offered in RoHS compliant, "green"/halogen free 5-pin TO-252 and 8-pin exposed pad SOIC packages.

## APPLICATIONS

- Networking Equipments
- RF Circuitry Power Supplies
- Set-top box Equipments
- Portable Equipments

## FEATURES

- **Guaranteed 2A Output Current**
  - Low 550mV Dropout at 3.3V/2A
- **1.8V to 6V Single Input Voltage Range**
  - Fixed 5V and Adjustable Output Voltage
  - $\pm 2\%$  Output Voltage Accuracy
- **30 $\mu$ A Quiescent Current**
- **Power Good and Enable Functions**
- **70dB Power Supply Rejection Ratio**
- **Low Output Noise**
- **0.01 $\mu$ A Shutdown Current**
- **Current Limit and Thermal Protection**
- **RoHS compliant "Green"/Halogen Free 5-pin TO-252 and 8-pin Exposed pad SOIC Packages**

## TYPICAL APPLICATION DIAGRAM

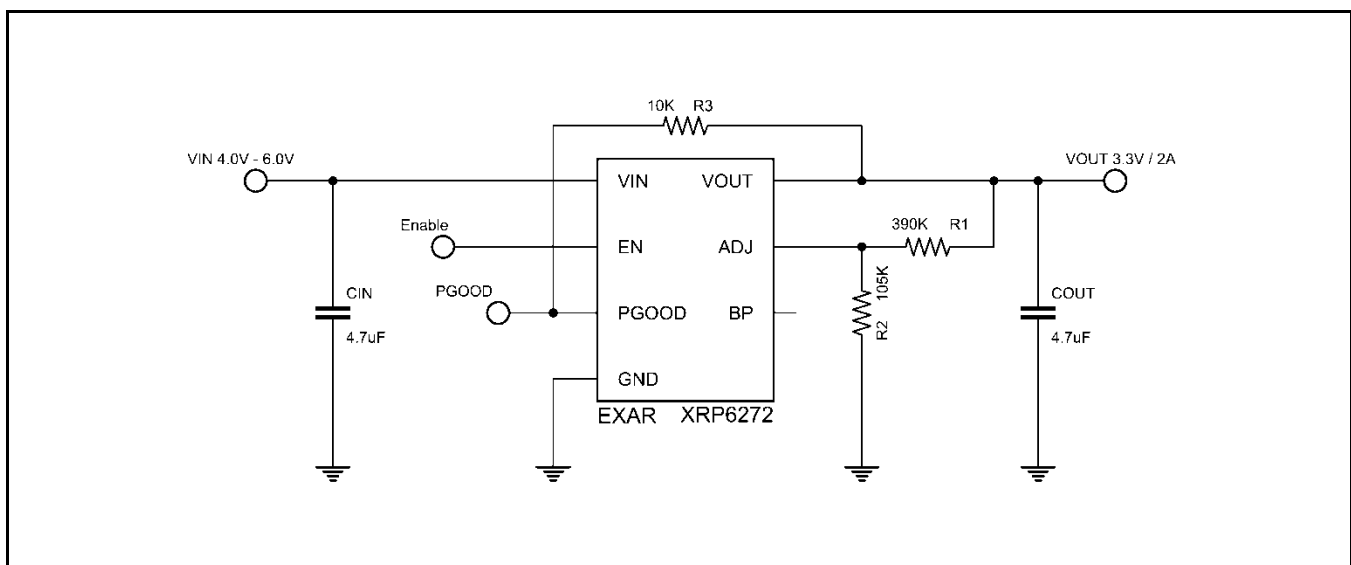


Fig. 1: XRP6272 Application Diagram

**2A 5V-Adjustable Low Dropout Voltage Regulator**
**ABSOLUTE MAXIMUM RATINGS**

These are stress ratings only and functional operation of the device at these ratings or any other above those indicated in the operation sections of the specifications below is not implied. Exposure to absolute maximum rating conditions for extended periods of time may affect reliability.

$V_{IN}$ , EN, BP .....	7.0V
Storage Temperature.....	-65°C to 150°C
Power Dissipation .....	Internally Limited
Lead Temperature (Soldering, 10 sec) .....	260°C
Junction Temperature .....	150°C
ESD Rating (HBM - Human Body Model) .....	2kV
ESD Rating (MM - Machine Model) .....	500V

**OPERATING RATINGS**

Input Voltage Range $V_{IN}$ .....	1.8V to 6V
Operating Temperature Range.....	-40°C to 85°C
Thermal Resistance	
$\theta_{JA}$ (5-Pin TO-252).....	100°C/W
$\theta_{JC}$ (5-Pin TO-252).....	8°C/W
$\theta_{JA}$ (8-pin HSOIC).....	60°C/W
$\theta_{JC}$ (8-pin HSOIC).....	15°C/W

**ELECTRICAL SPECIFICATIONS**

Specifications with standard type are for an Operating Junction Temperature of  $T_J = 25^\circ\text{C}$  only. Minimum and Maximum limits are guaranteed through test, design, or statistical correlation. Typical values represent the most likely parametric norm at  $T_J = 25^\circ\text{C}$ , and are provided for reference purposes only. Unless otherwise indicated,  $V_{IN} = V_{OUT} + 1\text{V}$ ,  $C_{IN} = 4.7\mu\text{F}$ ,  $C_{OUT} = 4.7\mu\text{F}$  or  $10\mu\text{F}$  (Note 1),  $C_{BYP} = 22\text{nF}$ ,  $T_J = 25^\circ\text{C}$ .

Parameter	Min.	Typ.	Max.	Units	Conditions
Input Voltage	1.8		6.0	V	
Output Voltage Tolerance	-2		+2	%	$I_{OUT} = 1\text{mA}$
Continuous Output Current	2			A	$V_{IN} \geq 2.3\text{V}$
Ground Current		30	50	$\mu\text{A}$	$V_{EN} \geq 1.6\text{V}$ , No Load
		30	50		$V_{EN} \geq 1.6\text{V}$ , $I_{OUT} = 300\text{mA}$
Standby Current		0.01	0.5	$\mu\text{A}$	$V_{EN} = 0$
Line Regulation		3	15	mV	$V_{IN} = V_{OUT} + 1\text{V}$ to 6V, $I_{OUT} = 1\text{mA}$
Load Regulation		5	15	mV	$I_{OUT} = 1\text{mA}$ to 2A
Output Current Limit	2.2	3.0	3.9	A	
Current Fold Back		1.0		A	
Dropout Voltage (Note 2)		960		mV	$I_{OUT} = 2\text{A}$ , $V_{OUT} = 1.2\text{V}$
		700	900		$I_{OUT} = 2\text{A}$ , $V_{OUT} = 1.8\text{V}$
		550	700		$I_{OUT} = 2\text{A}$ , $V_{OUT} = 3.3\text{V}$
		480	600		$I_{OUT} = 2\text{A}$ , $V_{OUT} = 5.0\text{V}$
Reference Voltage Tolerance	0.686	0.7	0.714	V	
ADJ Pin Current		10	100	nA	$V_{ADJ} = V_{REF}$
ADJ Pin Threshold	0.05	0.1	0.2	V	
Enable Turn-On Threshold	1.6			V	Output ON
Enable Turn-Off Threshold			0.4	V	Output OFF
Shutdown Pin Current		0	0.5	$\mu\text{A}$	$V_{EN} = 0$
Shutdown Exit Delay Time		100		$\mu\text{s}$	
Max Output Discharge Resistance to GND during Shutdown		20	100	$\Omega$	
PGOOD Rise Threshold		90	93	%	
PGOOD Hysteresis	3	10		%	
PGOOD Delay	0.5		5	ms	
PGOOD Sink Capability		0.2	0.4	V	$I_{PGOOD} = 10\text{mA}$
Ripple Rejection		70		dB	$f = 1\text{KHz}$ , Ripple = 0.5Vp-p
Output Noise Voltage		24		$\mu\text{V}_{rms}$	$C_{BP} = 22\text{nF}$ , $f = 10\text{Hz} \sim 100\text{KHz}$
Temperature Coefficient		50		ppm/°C	
Thermal Shutdown Temperature		150		°C	$V_{IN} = V_{OUT} + 1\text{V}$

**2A 5V-Adjustable Low Dropout Voltage Regulator**

Parameter	Min.	Typ.	Max.	Units	Conditions
Thermal Shutdown Hysteresis		20		°C	

Note 1: In the case of  $V_{OUT} \leq 1.8V$ ,  $C_{OUT} = 10\mu F$  is recommended.

Note 2: Dropout Voltage is defined as input voltage minus output voltage when the output voltage drops by 1% of its nominal value at  $V_{IN} = V_{OUT} + 1V$ .

Note 3:  $V_{IN(min)}$  is the higher value of  $(V_{OUT} + \text{Dropout Voltage})$  or 1.8V.

**BLOCK DIAGRAM**

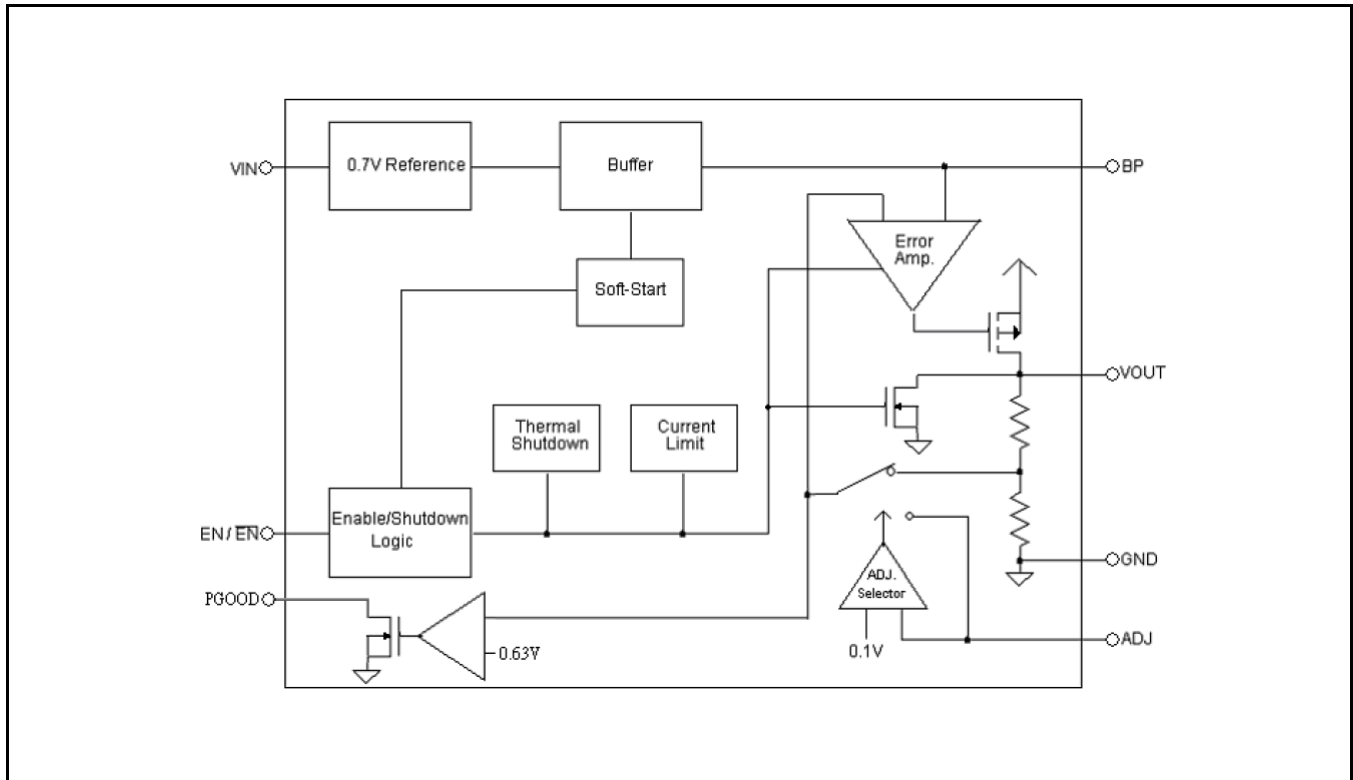


Fig. 2: XRP6272 Block Diagram

**PIN ASSIGNMENT**

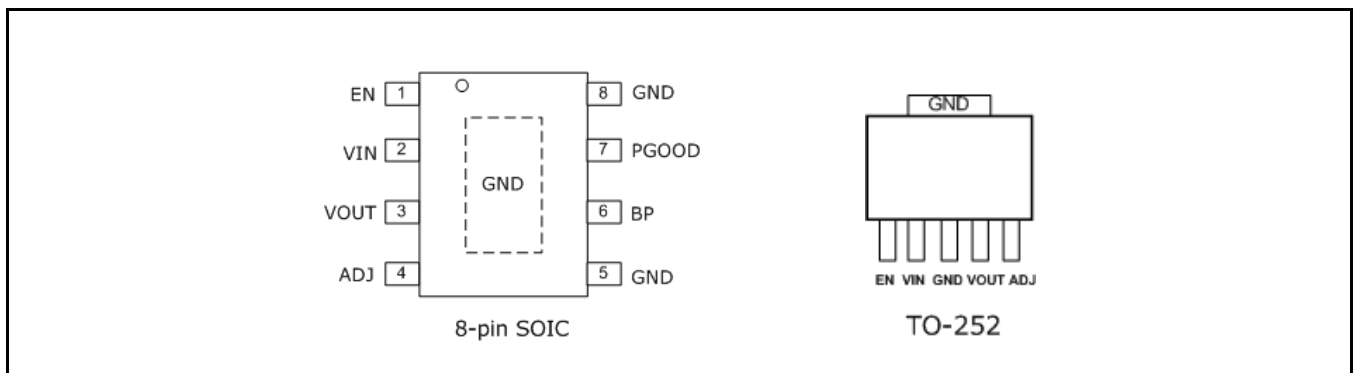


Fig. 3: XRP6272 Pin Assignment

**2A 5V-Adjustable Low Dropout Voltage Regulator****PIN DESCRIPTION**

Name	SOIC-8	TO-252	Description
EN	1	1	Enable Pin. Minimum 1.6V to enable the device. Maximum 0.4V to shut down the device.
VIN	2	2	Power Input Pin. Must be closely decoupled to GND pin with a 4.7 $\mu$ F or greater ceramic capacitor.
VOUT	3	4	Regulator Output pin.
ADJ	4	5	Adjustable Pin. Output Voltage can be set by external feedback resistors when using a resistive divider. Or, connect ADJ to GND for VOUT = 5V, set by internal feedback resistors.
GND	5, 8	3	Ground Signal
BP	6	-	Bypass pin. Connect a 22nF capacitor to GND to reduce output noise. Bypass pin can be left floating if not necessary.
PGOOD	7	-	Power Good open Drain Output.
GND	Exposed Pad	Tab	Connect to GND.

**ORDERING INFORMATION**

Part Number	Operating Temperature Range	Package	Packing Method	Lead-Free
XRP6272ITC5TR-F	-40°C $\leq$ T <sub>A</sub> $\leq$ +85°C	5-pin TO-252	Tape & Reel	Yes
XRP6272IDBTR-F	-40°C $\leq$ T <sub>A</sub> $\leq$ +85°C	8-pin HSOIC	Tape & Reel	Yes

**NOTE:** For more information about part numbers, as well as the most up-to-date ordering information and additional information on environmental rating, go to [www.maxlinear.com/XRP6272](http://www.maxlinear.com/XRP6272).

**TYPICAL PERFORMANCE CHARACTERISTICS**

All data taken at  $V_{IN} = V_{OUT} + 1V$ ,  $T_J = T_A = 25^\circ C$ ,  $C_{IN} = 4.7\mu F$ ,  $C_{OUT} = 4.7\mu F$  or  $10\mu F$  (Note 1) unless otherwise specified.

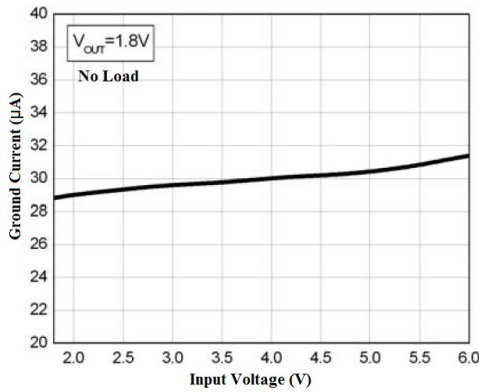


Fig. 4: GND Current vs. VIN at VOUT=1.8V, No Load

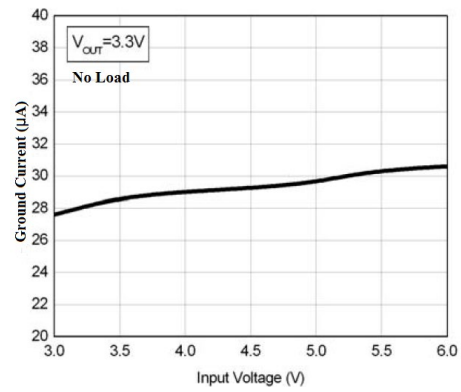


Fig. 5: GND Current vs. VIN at VOUT=3.3V, No Load

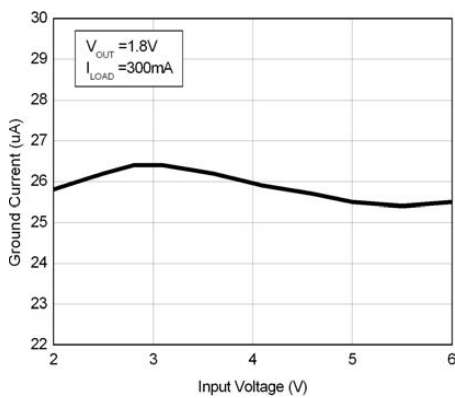


Fig. 6: GND Current vs. VIN at VOUT=1.8V, 300mA

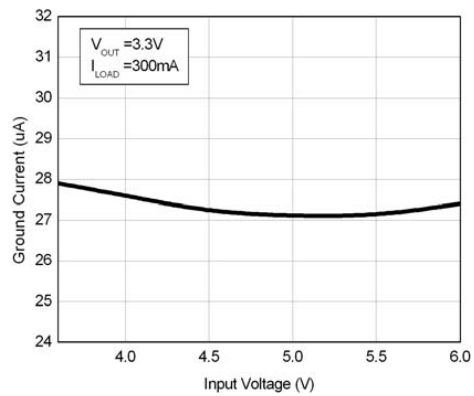


Fig. 7: GND Current vs. VIN at VOUT=3.3V, 300mA

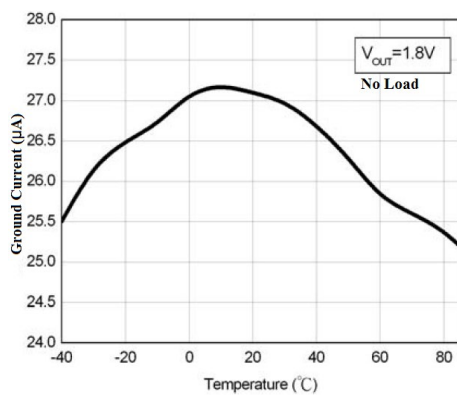


Fig. 8: GND Current vs. Temp. at VOUT=1.8V, No Load

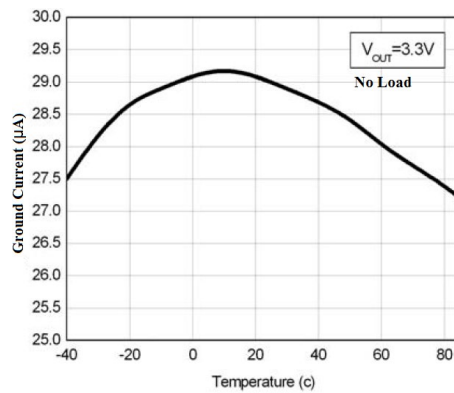


Fig. 9: GND Current vs. Temp. at VOUT=3.3V, No Load

**2A 5V-Adjustable Low Dropout Voltage Regulator**

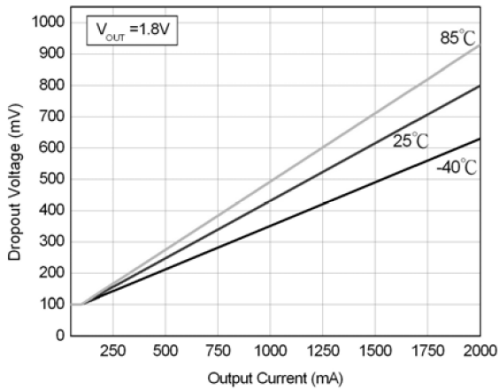


Fig. 10: Dropout Voltage at  $V_{OUT} = 1.8V$

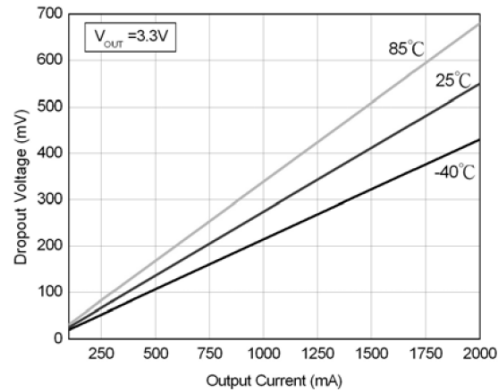


Fig. 11: Dropout Voltage at  $V_{OUT} = 3.3V$

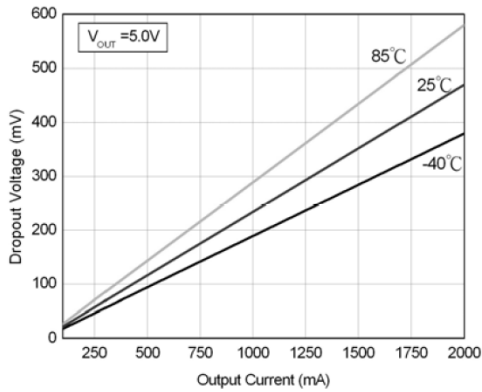


Fig. 12: Dropout Voltage at  $V_{OUT} = 5.0V$

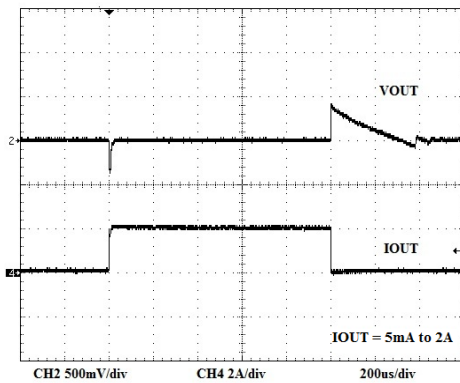


Fig. 13: Load Transient Response at  $V_{OUT}=1.8V$ ,  $V_{IN}=2.8V$

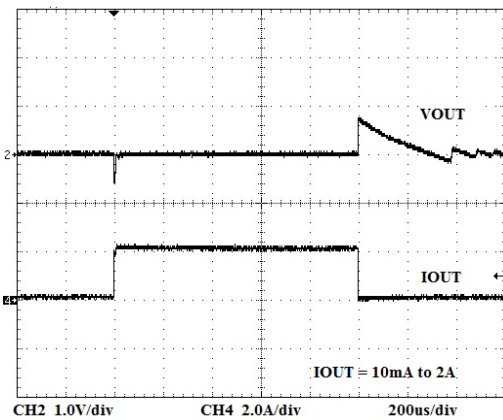


Fig. 14: Load Transient Response at  $V_{OUT}=3.3V$ ,  $V_{IN}=4.3V$

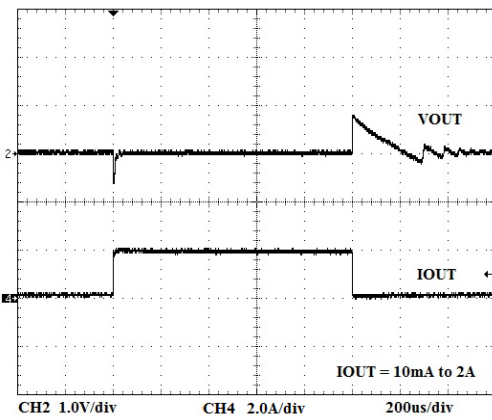


Fig. 15: Load Transient Response at  $V_{OUT}=5V$ ,  $V_{IN}=6V$

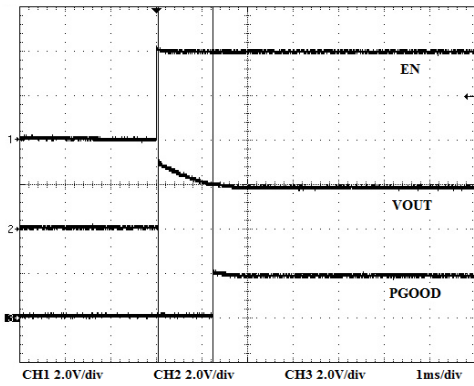


Fig. 16: Enable Startup at VOUT = 1.8V

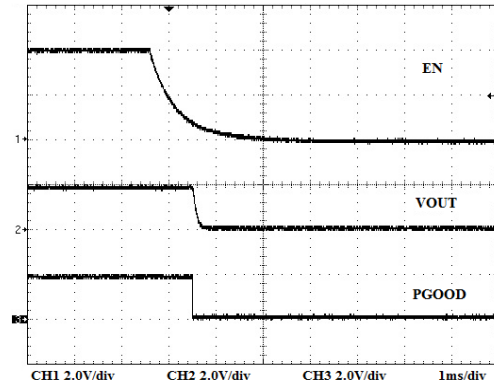


Fig. 17: Shutdown at VOUT = 1.8V

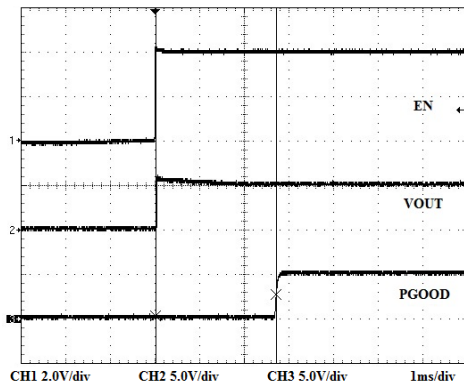


Fig. 18: Enable Startup at VOUT = 5V

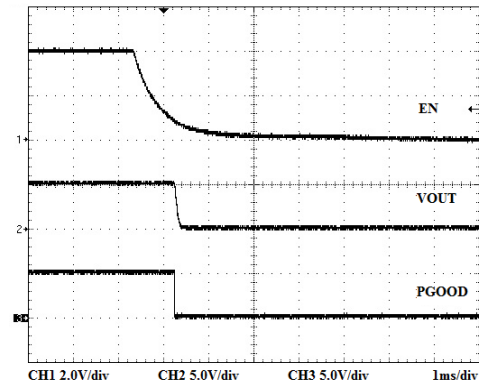


Fig. 19: Shutdown at VOUT = 5V

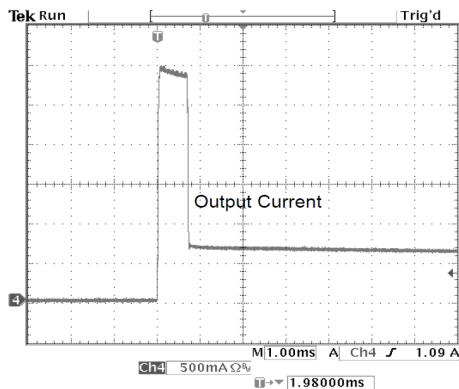


Fig. 20: Current Foldback at VOUT = 1.8V

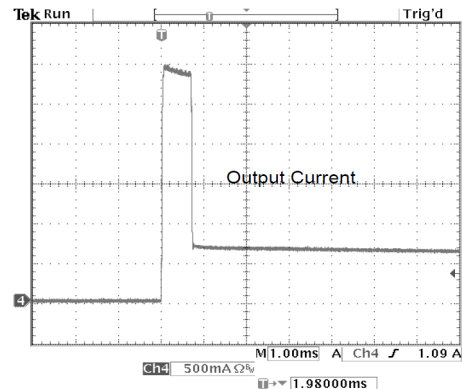


Fig. 21: Current Foldback at VOUT = 3.3V

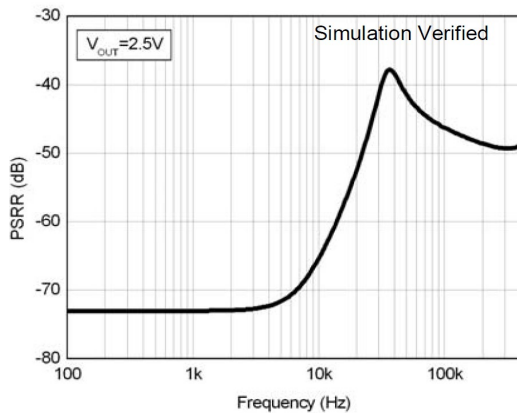


Fig. 22: PSRR Curve

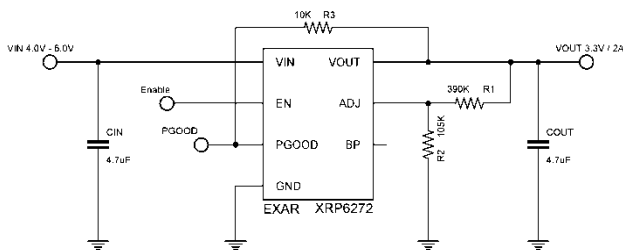
### APPLICATION INFORMATION

The XRP6272 is a low-dropout voltage regulator with low quiescent current, low noise and high PSRR. It can support load current up to 2A. It incorporates current-limit and thermal protection features.

an output ceramic capacitor of at least 4.7μF or 10μF (for  $V_{OUT} \leq 1.8V$ ) is recommended. An input capacitor of 4.7μF is recommended.

X5R or X7R ceramic capacitors are recommended as they have the best temperature and voltage characteristics.

### TYPICAL APPLICATION SCHEMATIC



### PROGRAMMING THE OUTPUT VOLTAGE

XRP6272's internal feedback resistors set the output voltage  $V_{OUT}$  to 5V when the ADJ pin is connected to GND. Alternatively; the output voltage is adjustable via the external feedback resistor network R1 and R2 by calculating the following formula:

$$V_{OUT} = V_{REF} \times \left(1 + \frac{R1}{R2}\right)$$

where,  $V_{REF}$  is the reference voltage set internally at 0.7V nominal.

### INPUT & OUTPUT CAPACITORS

XRP6272 is optimized for use with ceramic capacitors. To ensure stability of the device,

### NOISE BYPASS CAPACITOR

A 22nF bypass capacitor at BP pin can reduce output voltage noise. This pin can be left floating if it is unnecessary.

### THEORY OF OPERATION

#### SHUTDOWN

By connecting EN pin to GND, the XRP6272 can be shutdown to reduce the supply current to 0.01μA (typ.). In this mode, the output voltage of XRP6272 is equal to 0V.

#### CURRENT LIMIT

The XRP6272 includes current limit protection feature, which monitors and controls the maximum output current. If the output is overloaded or shorted to ground, this can protect the device from being damaged.

#### THERMAL PROTECTION

The XRP6272 includes a thermal protection feature that protects the IC by turning off the pass transistor when the maximum junction temperature  $T_J$  exceeds 150°C.

**2A 5V-Adjustable Low Dropout Voltage Regulator**

---

**POWER DISSIPATION**

The power dissipation across the device can be calculated as:

$$P_D = I_{OUT} \times (V_{IN} - V_{OUT})$$

The total junction temperature is calculated as:

$$T_J = T_A + P_D \times \theta_{JA}$$

where,  $T_J$  is the junction temperature,  $T_A$  is the ambient temperature and  $\theta_{JA}$  is the thermal resistance between junction to ambient.

There is a temperature rise associated with this power dissipated while operating in a given ambient temperature. If the calculated junction temperature exceeds maximum junction temperature specification, then the built-in thermal protection feature is triggered as described previously.

To insure reliable performance, the maximum allowable power dissipation for a given ambient temperature must be considered and it can be calculated as follows:

$$P_{D(MAX)} = (T_{J(MAX)} - (T_A)) / \theta_{JA}$$

where,  $T_{J(MAX)}$  is the maximum junction temperature,  $T_A$  is the ambient temperature and  $\theta_{JA}$  is the thermal resistance between junction to ambient. In order to insure the best thermal flow, proper mounting of the IC is required.

**LAYOUT CONSIDERATION**

1. Connect the bottom-side pad to a large ground plane for good thermal conductivity and to reduce the thermal resistance of the device.
2. The input capacitor  $C_{IN}$  and output capacitor  $C_{OUT}$  must be placed as close as possible to the pins  $V_{IN}$  and  $V_{OUT}$  respectively.
3. Use short wires to connect the power supply to pins  $V_{IN}$  and GND on the board.

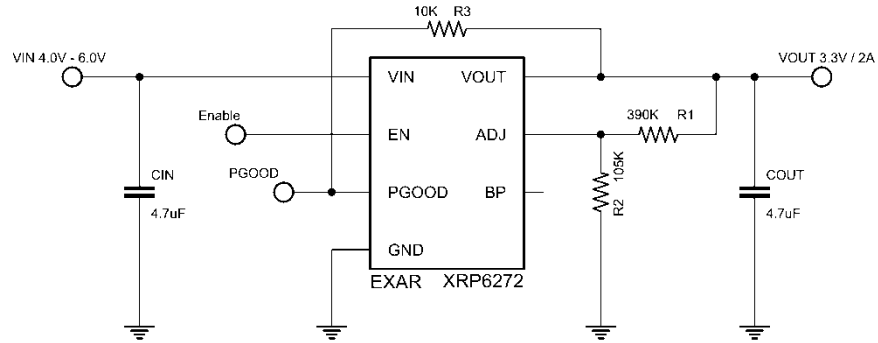
**TYPICAL APPLICATIONS**
**APPLICATION 1**


Fig. 23: 5V to 3.3V / 2A

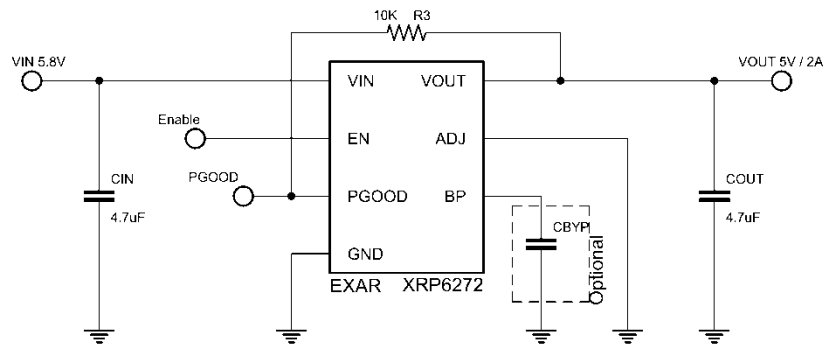
**APPLICATION 2**


Fig. 24: 5.8V to 5V RF Stage Low Noise Power Supply

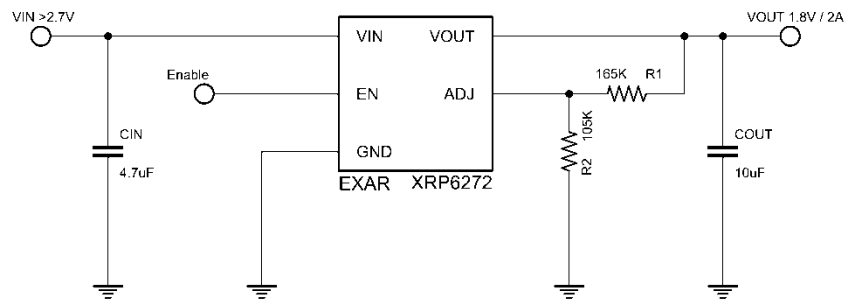
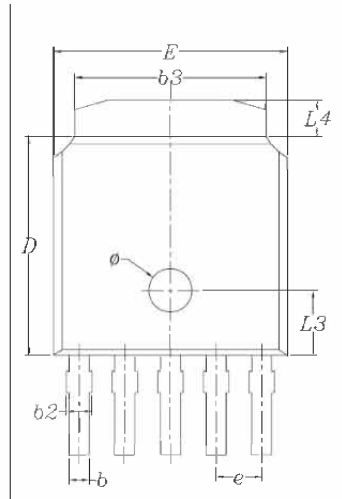
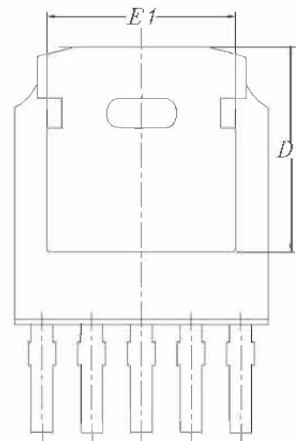
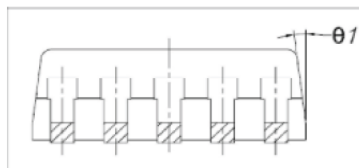
**APPLICATION 3**


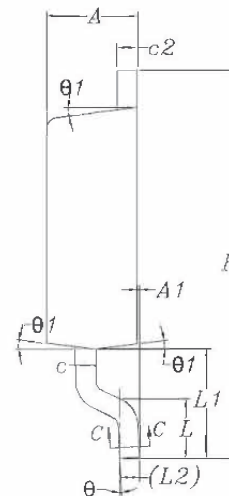
Fig. 25: 2.7V Min to 1.8V / 2A Power Supply

**MECHANICAL DIMENSIONS**
**TO-252-5L**

**TOP VIEW**

**BOTTOM VIEW**

**SIDE VIEW - 1**

SYMBOLS	DIMENSIONS IN INCH		DIMENSIONS IN MILLIMETER	
	MIN.	MAX.	MIN.	MAX.
A	0.086	0.094	2.184	2.387
A1	0.000	0.005	0.00	0.127
b	0.020	0.028	0.508	0.711
b1	0.020	0.026	0.508	0.660
b2	0.024	0.031	0.610	0.787
b3	0.204	0.215	5.184	5.461
c	0.018	0.024	0.460	0.610
c1	0.016	0.022	0.406	0.559
c2	0.018	0.024	0.460	0.610
D	0.236	0.245	6.000	6.223
D1	0.198	/	5.050	/
E	0.250	0.265	6.350	6.731
E1	0.170	/	4.318	/
e	0.046	0.053	1.170	1.370
H	0.374	0.405	9.500	10.300
L	0.055	0.070	1.397	1.778
L1	0.094	0.118	2.400	3.000
L2	0.020 REF		0.508 REF	
L3	0.063	0.078	1.600	2.000
L4	0.035	0.050	0.889	1.270
Ø	0°	10°	0°	10°
Ø1	0°	15°	0°	15°
Ø	0.041	0.053	1.05	1.35

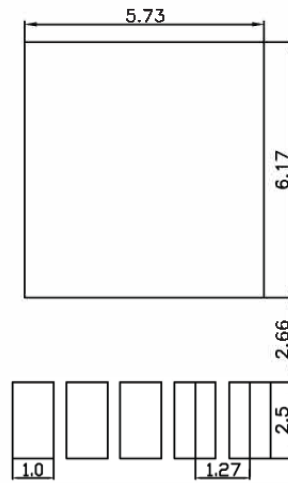
**TERMINAL DETAILS**

- ALL DIMENSIONS ARE IN MILLIMETERS, ANGLES ARE IN DEGREES.
- DIMENSIONS AND TOLERANCE PER JEDEC TO-252.

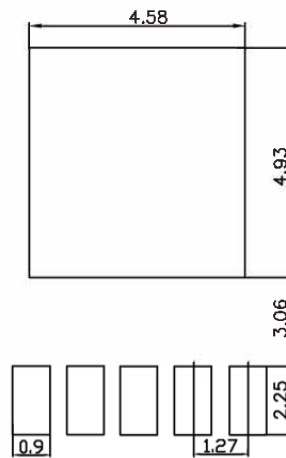

**SIDE VIEW - 2**

**RECOMMENDED LAND PATTERN AND STENCIL**

**TO-252-5L**

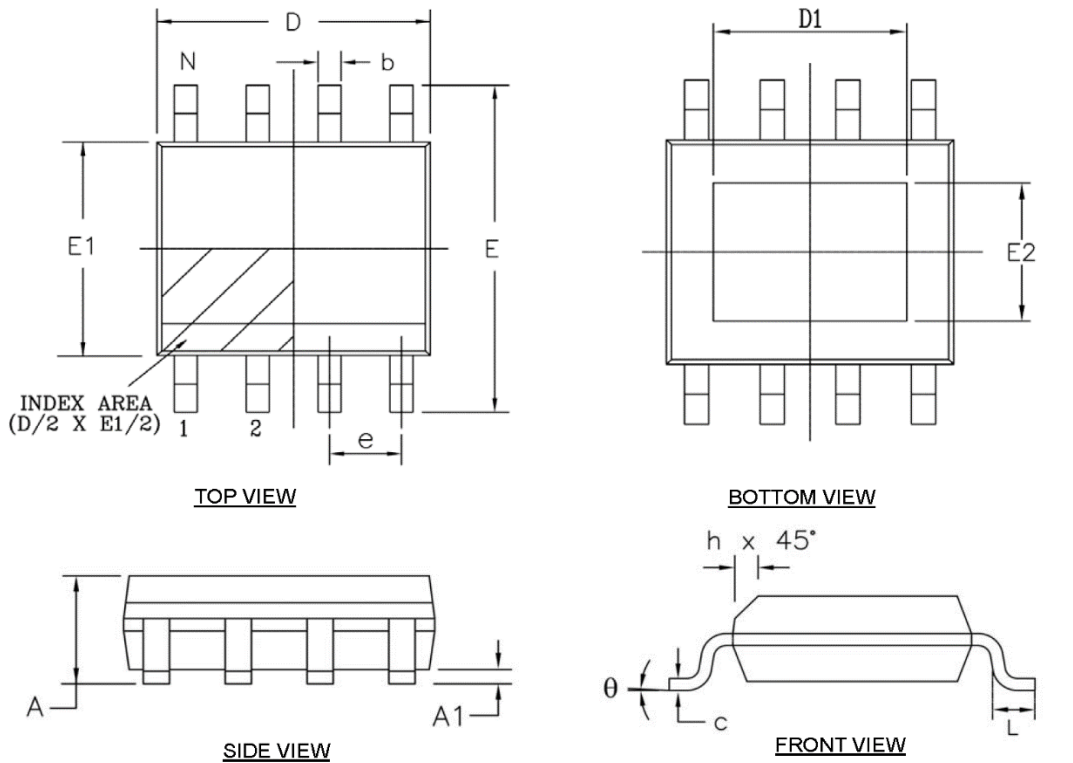


TYPICAL RECOMMENDED LAND PATTERN

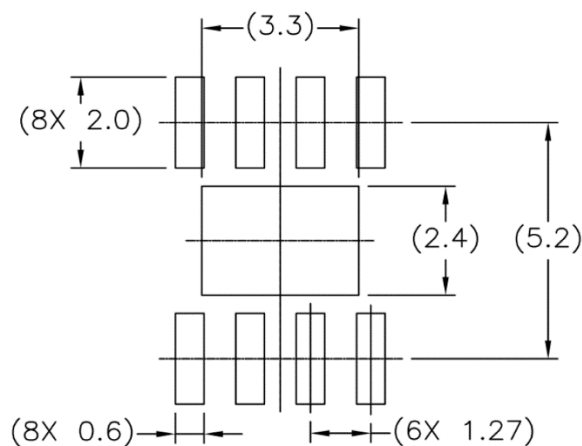


TYPICAL RECOMMENDED STENCIL

Drawing No.: POD-00000165  
Revision: C

**MECHANICAL DIMENSIONS AND RECOMMENDED LAND PATTERN**
**Exposed Pad 8-Pin SOIC**


8 Pin HSOICN JEDEC MS-012 Variation BA			
SYMBOLS	DIMENSIONS IN MM		
	MIN	NOM	MAX
A	1.35		1.75
A1	0.00		0.15
b	0.31		0.51
c	0.17		0.25
D	4.80		5.00
D1	1.50		3.50
E	5.80		6.20
E1	3.80		4.00
E2	1.00		2.55
e	1.27 BSC		
h	0.25		0.50
L	0.40		1.27
θ	0°		8°
N	8		

TERMINAL DETAILS

LAND PATTERN RECOMMENDED

NOTE : ALL DIMENSIONS ARE IN MILLIMETERS, ANGLES ARE IN DEGREE

Drawing No. : POD - 00000125

Revision: A



# 2A 5V-Adjustable Low Dropout Voltage Regulator

## REVISION HISTORY

Revision	Date	Description
1.1.0	10/14/2011	Initial release of Data Sheet.
1.2.0	11/30/2011	Corrected pin assignment package drawing.
1.2.1	11/01/2019	Updated to MaxLinear logo. Updated Ordering Information.
1.2.2	September 10, 2021	<b>Updated:</b> <ul style="list-style-type: none"> <li>▪ TO-252-5L POD’s Mechanical Dimensions.</li> <li>▪ Exposed Pad 8-Pin SOIC POD’s Mechanical Dimensions.</li> </ul> <b>Added:</b> <ul style="list-style-type: none"> <li>▪ TO-252-5L POD’s Recommended Land Pattern and Stencil.</li> <li>▪ Exposed Pad 8-Pin SOIC POD’s Recommended Land Pattern.</li> </ul>
1.2.3	July 28, 2023	<b>Updated:</b> <ul style="list-style-type: none"> <li>▪ TO-252-5L POD’s Mechanical Dimensions and TO-252-5L POD’s Recommended Land Pattern and Stencil: from Revision A to Revision C. No change to content; MxL document registration only.</li> </ul>



**MaxLinear, Inc.:**  
 5966 La Place Court Suite 100  
 Carlsbad, CA 92008  
 Tel.: +1 (760) 692-0711  
 Fax: +1 (760) 444-8598  
[www.maxlinear.com](http://www.maxlinear.com)

The content of this document is furnished for informational use only, is subject to change without notice, and should not be construed as a commitment by MaxLinear, Inc. MaxLinear, Inc. assumes no responsibility or liability for any errors or inaccuracies that may appear in the informational content contained in this document. Complying with all applicable copyright laws is the responsibility of the user. Without limiting the rights under copyright, no part of this document may be reproduced into, stored in, or introduced into a retrieval system, or transmitted in any form or by any means (electronic, mechanical, photocopying, recording, or otherwise), or for any purpose, without the express written permission of MaxLinear, Inc.

EXCEPT AS OTHERWISE PROVIDED EXPRESSLY IN WRITING BY MAXLINEAR, AND TO THE MAXIMUM EXTENT PERMITTED BY LAW: (A) THE MAXLINEAR PRODUCTS ARE PROVIDED ON AN “AS IS” BASIS WITHOUT REPRESENTATIONS OR WARRANTIES OF ANY KIND, INCLUDING WITHOUT LIMITATION ANY IMPLIED OR STATUTORY WARRANTIES AND ANY WARRANTIES OF MERCHANTABILITY, FITNESS FOR A PARTICULAR PURPOSE, NON-INFRINGEMENT, OR TITLE; AND (B) MAXLINEAR DOES NOT GUARANTEE THAT THE PRODUCTS WILL BE FREE OF ERRORS OR DEFECTS. MAXLINEAR PRODUCTS SHOULD NOT BE USED IN ANY EMERGENCY, SECURITY, MILITARY, LIFE-SAVING, OR OTHER CRITICAL USE CASE WHERE A FAILURE OR MALFUNCTION COULD CAUSE PERSONAL INJURY OR DEATH, OR DAMAGE TO OR LOSS OF PROPERTY. USERS ASSUME ALL RISK FOR USING THE MAXLINEAR PRODUCTS IN SUCH USE CASE. CUSTOMERS AND USERS ARE SOLELY RESPONSIBLE FOR USING THEIR OWN SKILL AND JUDGMENT TO DETERMINE WHETHER MAXLINEAR PRODUCTS ARE SUITABLE FOR THE INTENDED USE CASE.

MaxLinear, Inc. may have patents, patent applications, trademarks, copyrights, or other intellectual property rights covering subject matter in this document. Except as expressly provided in any written license agreement from MaxLinear, Inc., the furnishing of this document does not give you any license to these patents, trademarks, copyrights, or other intellectual property.

MaxLinear, the MaxLinear logo, any other MaxLinear trademarks (including but not limited to MxL, Full-Spectrum Capture, FSC, AirPHY, Puma, AnyWAN, VectorBoost, MXL WARE, and Panther), and the MaxLinear logo on the products sold are all property of MaxLinear, Inc. or one of MaxLinear’s subsidiaries in the U.S.A. and other countries. All rights reserved.

All third-party products, company names and logos are trademarks™ or registered® trademarks and remain the property of their respective holders/owners. Use of such marks does not imply any affiliation with, sponsorship or endorsement by the owners/holders of such trademarks. All references by MaxLinear to third party trademarks are intended to constitute nominative fair use under applicable trademark laws.

The URLs provided are for informational purposes only; they do not constitute an endorsement or an approval by MaxLinear of any of the products or services of the corporation or organization or individual. MaxLinear bears no responsibility for the accuracy, legality or content of the external site or for that of subsequent links. Contact the external site for answers to questions regarding its content.

© 2023 MaxLinear, Inc. All rights reserved.

## Looking for pricing, stock, or lifecycle information?

Click below to explore more details on WIN SOURCE:

 [View XRP6272ITC5TR-F on WIN SOURCE](#)

 [Exar Corporation](#) Information

## Optimize Your Supply Chain with WIN SOURCE Solutions

-  Global Sourcing Solution
-  Obsolete Management
-  Cost Control Management
-  Shortage Management
-  Alternative Solution
-  Excess Inventory Management