



**THE DATASHEET OF  
AD736ARZ**



## FEATURES

Converts an ac voltage waveform to a dc voltage and then converts to the true rms, average rectified, or absolute value  
**200 mV rms full-scale input range (larger inputs with input attenuator)**

**High input impedance:  $10^{12} \Omega$**

**Low input bias current: 25 pA maximum**

**High accuracy:  $\pm 0.3 \text{ mV} \pm 0.3\%$  of reading**

**RMS conversion with signal crest factors up to 5**

**Wide power supply range: +2.8 V, -3.2 V to  $\pm 16.5 \text{ V}$**

**Low power: 200  $\mu\text{A}$  maximum supply current**

**Buffered voltage output**

**No external trims needed for specified accuracy**

**Related device: the AD737—features a power-down control with standby current of only 25  $\mu\text{A}$ ; the dc output voltage is negative and the output impedance is 8 k $\Omega$**

## GENERAL DESCRIPTION

The AD736 is a low power, precision, monolithic true rms-to-dc converter. It is laser trimmed to provide a maximum error of  $\pm 0.3 \text{ mV} \pm 0.3\%$  of reading with sine wave inputs. Furthermore, it maintains high accuracy while measuring a wide range of input waveforms, including variable duty-cycle pulses and triac (phase)-controlled sine waves. The low cost and small size of this converter make it suitable for upgrading the performance of non-rms precision rectifiers in many applications. Compared to these circuits, the AD736 offers higher accuracy at an equal or lower cost.

The AD736 can compute the rms value of both ac and dc input voltages. It can also be operated as an ac-coupled device by adding one external capacitor. In this mode, the AD736 can resolve input signal levels of 100  $\mu\text{V}$  rms or less, despite variations in temperature or supply voltage. High accuracy is also maintained for input waveforms with crest factors of 1 to 3. In addition, crest factors as high as 5 can be measured (introducing only 2.5% additional error) at the 200 mV full-scale input level.

The AD736 has its own output buffer amplifier, thereby providing a great deal of design flexibility. Requiring only 200  $\mu\text{A}$  of power supply current, the AD736 is optimized for use in portable multimeters and other battery-powered applications.

## FUNCTIONAL BLOCK DIAGRAM

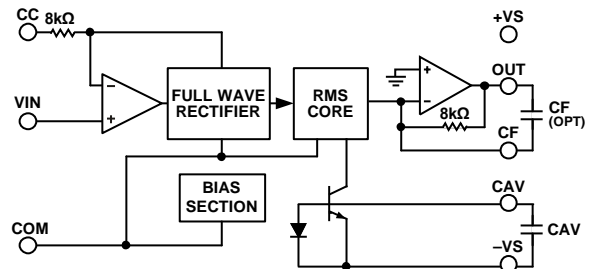


Figure 1.

The AD736 allows the choice of two signal input terminals: a high impedance FET input ( $10^{12} \Omega$ ) that directly interfaces with High-Z input attenuators and a low impedance input (8 k $\Omega$ ) that allows the measurement of 300 mV input levels while operating from the minimum power supply voltage of +2.8 V, -3.2 V. The two inputs can be used either single ended or differentially.

The AD736 has a 1% reading error bandwidth that exceeds 10 kHz for the input amplitudes from 20 mV rms to 200 mV rms while consuming only 1 mW.

The AD736 is available in four performance grades. The AD736J and AD736K grades are rated over the 0°C to +70°C and -20°C to +85°C commercial temperature ranges. The AD736A and AD736B grades are rated over the -40°C to +85°C industrial temperature range. The AD736 is available in three low cost, 8-lead packages: PDIP, SOIC, and CERDIP.

## PRODUCT HIGHLIGHTS

1. The AD736 is capable of computing the average rectified value, absolute value, or true rms value of various input signals.
2. Only one external component, an averaging capacitor, is required for the AD736 to perform true rms measurement.
3. The low power consumption of 1 mW makes the AD736 suitable for many battery-powered applications.
4. A high input impedance of  $10^{12} \Omega$  eliminates the need for an external buffer when interfacing with input attenuators.
5. A low impedance input is available for those applications that require an input signal up to 300 mV rms operating from low power supply voltages.

### Rev. I

Information furnished by Analog Devices is believed to be accurate and reliable. However, no responsibility is assumed by Analog Devices for its use, nor for any infringements of patents or other rights of third parties that may result from its use. Specifications subject to change without notice. No license is granted by implication or otherwise under any patent or patent rights of Analog Devices. Trademarks and registered trademarks are the property of their respective owners.

## TABLE OF CONTENTS

|  |    |
|--|----|
| Features .....                                   | 1  |
| General Description .....                        | 1  |
| Functional Block Diagram .....                   | 1  |
| Product Highlights .....                         | 1  |
| Revision History .....                           | 2  |
| Specifications.....                              | 3  |
| Absolute Maximum Ratings.....                    | 5  |
| Thermal Resistance .....                         | 5  |
| ESD Caution.....                                 | 5  |
| Pin Configuration and Function Descriptions..... | 6  |
| Typical Performance Characteristics .....        | 7  |
| Theory of Operation .....                        | 10 |
| Types of AC Measurement .....                    | 10 |
| Calculating Settling Time Using Figure 16.....   | 11 |

## REVISION HISTORY

### 12/12—Rev. H to Rev. I

|   |    |
|---|----|
| Changes to Features and Figure 1.....                       | 1  |
| Change to Error vs. Crest Factor Parameter, Table 1 .....   | 3  |
| Changes to Operating Voltage Range Parameter, Table 1 ..... | 4  |
| Changes to Table 2.....                                     | 5  |
| Added Table 3; Renumbered Sequentially .....                | 5  |
| Changes to Figure 9.....                                    | 8  |
| Changes to Figure 16.....                                   | 9  |
| Changes to Figure 18.....                                   | 10 |
| Added Additional Application Concepts Section and           |    |
| Changes to Figure 25.....                                   | 15 |
| Changes to Figure 29.....                                   | 17 |
| Deleted Table 6.....  | 17 |
| Changes to Ordering Guide .....                             | 20 |

### 2/07—Rev. G to Rev. H

|   |         |
|---|---------|
| Updated Layout.....   | 9 to 12 |
| Added Applications Section.....                               | 13      |
| Inserted Figure 21 to Figure 24; Renumbered Sequentially..... | 13      |
| Deleted Figure 25.....  | 15      |
| Added Evaluation Board Section.....                           | 16      |
| Inserted Figure 29 to Figure 34; Renumbered Sequentially..... | 16      |
| Inserted Figure 35; Renumbered Sequentially.....              | 17      |
| Added Table 6.....  | 17      |

### 2/06—Rev. F to Rev. G

|                     |           |
|---------------------|-----------|
| Updated Format..... | Universal |
|---------------------|-----------|

|   |    |
|---|----|
| RMS Measurement—Choosing the Optimum Value for $C_{AV}$ .....   | 11 |
| Rapid Settling Times via the Average Responding                 |    |
| Connection.....   | 12 |
| DC Error, Output Ripple, and Averaging Error .....              | 12 |
| AC Measurement Accuracy and Crest Factor.....                   | 12 |
| Applications.....   | 13 |
| Connecting the Input.....                                       | 13 |
| Selecting Practical Values for Input Coupling ( $C_C$ ),        |    |
| Averaging ( $C_{AV}$ ), and Filtering ( $C_F$ ) Capacitors..... | 14 |
| Additional Application Concepts.....                            | 15 |
| Evaluation Board .....  | 17 |
| Outline Dimensions .....  | 19 |
| Ordering Guide .....  | 20 |

|  |    |
|--|----|
| Changes to Features .....                            | 1  |
| Added Table 3 .....                                  | 6  |
| Changes to Figure 21 and Figure 22 .....             | 14 |
| Changes to Figure 23, Figure 24, and Figure 25 ..... | 15 |
| Updated Outline Dimensions.....                      | 16 |
| Changes to Ordering Guide .....                      | 17 |

### 5/04—Rev. E to Rev. F

|                                 |    |
|---------------------------------|----|
| Changes to Specifications.....  | 2  |
| Replaced Figure 18 .....        | 10 |
| Updated Outline Dimensions..... | 16 |
| Changes to Ordering Guide ..... | 16 |

### 4/03—Rev. D to Rev. E

|  |   |
|--|---|
| Changes to General Description .....     | 1 |
| Changes to Specifications.....           | 3 |
| Changes to Absolute Maximum Ratings..... | 4 |
| Changes to Ordering Guide .....          | 4 |

### 11/02—Rev. C to Rev. D

|   |   |
|---|---|
| Changes to Functional Block Diagram.....            | 1 |
| Changes to Pin Configuration .....                  | 3 |
| Figure 1 Replaced .....                             | 6 |
| Changes to Figure 2.....                            | 6 |
| Changes to Application Circuits Figures 4 to 8..... | 8 |
| Outline Dimensions Updated.....                     | 8 |

## SPECIFICATIONS

At 25°C ± 5 V supplies, ac-coupled with 1 kHz sine wave input applied, unless otherwise noted. Specifications in **bold** are tested on all production units at final electrical test. Results from those tests are used to calculate outgoing quality levels.

Table 1.

| Parameter                                  | Conditions                                | AD736J/AD736A                    |                  |                | AD736K/AD736B |                  |                | Unit               |
|--|---|----------------------------------|------------------|----------------|---------------|------------------|----------------|--------------------|
|  |   | Min                              | Typ              | Max            | Min           | Typ              | Max            |                    |
| TRANSFER FUNCTION                          |   | $V_{OUT} = \sqrt{Avg(V_{IN}^2)}$ |                  |                |               |                  |                |                    |
| CONVERSION ACCURACY                        | 1 kHz sine wave                           |                                  |                  |                |               |                  |                |                    |
| Total Error, Internal Trim <sup>1</sup>    | Using C <sub>C</sub>                      |                                  |                  |                |               |                  |                |                    |
| All Grades                                 | 0 mV rms to 200 mV rms                    |                                  | 0.3/0.3          | <b>0.5/0.5</b> |               | 0.2/0.2          | <b>0.3/0.3</b> | ±mV/±% of reading  |
|  | 200 mV to 1 V rms                         |                                  | -1.2             | <b>±2.0</b>    |               | -1.2             | <b>±2.0</b>    | % of reading       |
| T <sub>MIN</sub> to T <sub>MAX</sub>       |   |                                  |                  |                |               |                  |                |                    |
| A and B Grades                             | @ 200 mV rms                              |                                  | <b>0.7/0.7</b>   |                |               |                  | <b>0.5/0.5</b> | ±mV/±% of reading  |
| J and K Grades                             | @ 200 mV rms                              |                                  | 0.007            |                |               | 0.007            |                | ±% of reading/°C   |
| vs. Supply Voltage                         |   |                                  |                  |                |               |                  |                |                    |
| @ 200 mV rms Input                         | V <sub>S</sub> = ±5 V to ±16.5 V          | <b>0</b>                         | +0.06            | <b>+0.1</b>    | <b>0</b>      | +0.06            | <b>+0.1</b>    | %/V                |
|  | V <sub>S</sub> = ±5 V to ±3 V             | <b>0</b>                         | -0.18            | <b>-0.3</b>    | <b>0</b>      | -0.18            | <b>-0.3</b>    | %/V                |
| DC Reversal Error, DC-Coupled              | @ 600 mV dc                               |                                  | 1.3              | 2.5            |               | 1.3              | 2.5            | % of reading       |
| Nonlinearity <sup>2</sup> , 0 mV to 200 mV | @ 100 mV rms                              | <b>0</b>                         | 0.25             | <b>0.35</b>    | <b>0</b>      | 0.25             | <b>0.35</b>    | % of reading       |
| Total Error, External Trim                 | 0 mV rms to 200 mV rms                    |                                  | 0.1/0.5          |                |               | 0.1/0.3          |                | ±mV/±% of reading  |
| ERROR VS. CREST FACTOR <sup>3</sup>        |   |                                  |                  |                |               |                  |                |                    |
| Crest Factor = 1 to 3                      | C <sub>AV</sub> , C <sub>F</sub> = 100 μF |                                  | 0.7              |                |               | 0.7              |                | % additional error |
| Crest Factor = 3 to 5                      | C <sub>AV</sub> , C <sub>F</sub> = 100 μF |                                  | 2.5              |                |               | 2.5              |                | % additional error |
| INPUT CHARACTERISTICS                      |   |                                  |                  |                |               |                  |                |                    |
| High Impedance Input                       |   |                                  |                  |                |               |                  |                |                    |
| Signal Range (Pin 2)                       |   |                                  |                  |                |               |                  |                |                    |
| Continuous RMS Level                       | V <sub>S</sub> = +2.8 V, -3.2 V           |                                  |                  | <b>200</b>     |               |                  | <b>200</b>     | mV rms             |
|  | V <sub>S</sub> = ±5 V to ±16.5 V          |                                  |                  | <b>1</b>       |               |                  | <b>1</b>       | V rms              |
| Peak Transient Input                       | V <sub>S</sub> = +2.8 V, -3.2 V           | <b>±0.9</b>                      |                  |                | <b>±0.9</b>   |                  |                | V                  |
|  | V <sub>S</sub> = ±5 V                     |                                  | ±2.7             |                |               | ±2.7             |                | V                  |
|  | V <sub>S</sub> = ±16.5 V                  | <b>±4.0</b>                      |                  |                | <b>±4.0</b>   |                  |                | V                  |
| Input Resistance                           |   |                                  | 10 <sup>12</sup> |                |               | 10 <sup>12</sup> |                | Ω                  |
| Input Bias Current                         | V <sub>S</sub> = ±3 V to ±16.5 V          |                                  | 1                | 25             |               | 1                | 25             | pA                 |
| Low Impedance Input                        |   |                                  |                  |                |               |                  |                |                    |
| Signal Range (Pin 1)                       |   |                                  |                  |                |               |                  |                |                    |
| Continuous RMS Level                       | V <sub>S</sub> = +2.8 V, -3.2 V           |                                  |                  | 300            |               |                  | 300            | mV rms             |
|  | V <sub>S</sub> = ±5 V to ±16.5 V          |                                  |                  | <b>1</b>       |               |                  | <b>1</b>       | V rms              |
| Peak Transient Input                       | V <sub>S</sub> = +2.8 V, -3.2 V           |                                  | ±1.7             |                |               | ±1.7             |                | V                  |
|  | V <sub>S</sub> = ±5 V                     |                                  | ±3.8             |                |               | ±3.8             |                | V                  |
|  | V <sub>S</sub> = ±16.5 V                  |                                  | ±11              |                |               | ±11              |                | V                  |
| Input Resistance                           |   | 6.4                              | 8                | 9.6            | 6.4           | 8                | 9.6            | kΩ                 |
| Maximum Continuous Nondestructive Input    | All supply voltages                       |                                  |                  | ±12            |               |                  | ±12            | V p-p              |
| Input Offset Voltage <sup>4</sup>          |   |                                  |                  |                |               |                  |                |                    |
| J and K Grades                             |   |                                  |                  | <b>±3</b>      |               |                  | <b>±3</b>      | mV                 |
| A and B Grades                             |   |                                  |                  | <b>±3</b>      |               |                  | <b>±3</b>      | mV                 |
| vs. Temperature                            |   |                                  | 8                | 30             |               | 8                | 30             | μV/°C              |
| vs. Supply                                 | V <sub>S</sub> = ±5 V to ±16.5 V          |                                  | 50               | <b>150</b>     |               | 50               | <b>150</b>     | μV/V               |
|  | V <sub>S</sub> = ±5 V to ±3 V             |                                  | 80               |                |               | 80               |                | μV/V               |

| Parameter   | Conditions                                   | AD736J/AD736A |                  |       | AD736K/AD736B |                  |       | Unit  |
|---|--|---------------|------------------|-------|---------------|------------------|-------|-------|
|   |  | Min           | Typ              | Max   | Min           | Typ              | Max   |       |
| <b>OUTPUT CHARACTERISTICS</b>                           |  |               |                  |       |               |                  |       |       |
| Output Offset Voltage                                   |  |               |                  |       |               |                  |       |       |
| J and K Grades  |  |               | ±0.1             | ±0.5  |               | ±0.1             | ±0.3  | mV    |
| A and B Grades  |  |               |                  | ±0.5  |               |                  | ±0.3  | mV    |
| vs. Temperature   |  |               | 1                | 20    |               | 1                | 20    | μV/°C |
| vs. Supply  | $V_S = \pm 5\text{ V to } \pm 16.5\text{ V}$ |               | 50               | 130   |               | 50               | 130   | μV/V  |
|   | $V_S = \pm 5\text{ V to } \pm 3\text{ V}$    |               | 50               |       |               | 50               |       | μV/V  |
| Output Voltage Swing                                    |  |               |                  |       |               |                  |       |       |
| 2 kΩ Load   | $V_S = +2.8\text{ V, } -3.2\text{ V}$        | 0 to          | 1.7              |       | 0 to          | 1.7              |       | V     |
|   |  | 1.6           |                  |       | 1.6           |                  |       |       |
|   | $V_S = \pm 5\text{ V}$                       | 0 to          | 3.8              |       | 0 to          | 3.8              |       | V     |
|   |  | 3.6           |                  |       | 3.6           |                  |       |       |
|   | $V_S = \pm 16.5\text{ V}$                    | 0 to 4        | 5                |       | 0 to 4        | 5                |       | V     |
| No Load   | $V_S = \pm 16.5\text{ V}$                    | 0 to 4        | 12               |       | 0 to 4        | 12               |       | V     |
| Output Current  |  |               | 2                |       |               | 2                |       | mA    |
| Short-Circuit Current                                   |  |               | 3                |       |               | 3                |       | mA    |
| Output Resistance                                       | @ dc   |               | 0.2              |       |               | 0.2              |       | Ω     |
| <b>FREQUENCY RESPONSE</b>                               |  |               |                  |       |               |                  |       |       |
| High Impedance Input (Pin 2)<br>for 1% Additional Error | Sine wave input                              |               |                  |       |               |                  |       |       |
| $V_{IN} = 1\text{ mV rms}$                              |  |               | 1                |       |               | 1                |       | kHz   |
| $V_{IN} = 10\text{ mV rms}$                             |  |               | 6                |       |               | 6                |       | kHz   |
| $V_{IN} = 100\text{ mV rms}$                            |  |               | 37               |       |               | 37               |       | kHz   |
| $V_{IN} = 200\text{ mV rms}$                            |  |               | 33               |       |               | 33               |       | kHz   |
| ±3 dB Bandwidth   | Sine wave input                              |               |                  |       |               |                  |       |       |
| $V_{IN} = 1\text{ mV rms}$                              |  |               | 5                |       |               | 5                |       | kHz   |
| $V_{IN} = 10\text{ mV rms}$                             |  |               | 55               |       |               | 55               |       | kHz   |
| $V_{IN} = 100\text{ mV rms}$                            |  |               | 170              |       |               | 170              |       | kHz   |
| $V_{IN} = 200\text{ mV rms}$                            |  |               | 190              |       |               | 190              |       | kHz   |
| Low Impedance Input (Pin 1)<br>for 1% Additional Error  | Sine wave input                              |               |                  |       |               |                  |       |       |
| $V_{IN} = 1\text{ mV rms}$                              |  |               | 1                |       |               | 1                |       | kHz   |
| $V_{IN} = 10\text{ mV rms}$                             |  |               | 6                |       |               | 6                |       | kHz   |
| $V_{IN} = 100\text{ mV rms}$                            |  |               | 90               |       |               | 90               |       | kHz   |
| $V_{IN} = 200\text{ mV rms}$                            |  |               | 90               |       |               | 90               |       | kHz   |
| ±3 dB Bandwidth   | Sine wave input                              |               |                  |       |               |                  |       |       |
| $V_{IN} = 1\text{ mV rms}$                              |  |               | 5                |       |               | 5                |       | kHz   |
| $V_{IN} = 10\text{ mV rms}$                             |  |               | 55               |       |               | 55               |       | kHz   |
| $V_{IN} = 100\text{ mV rms}$                            |  |               | 350              |       |               | 350              |       | kHz   |
| $V_{IN} = 200\text{ mV rms}$                            |  |               | 460              |       |               | 460              |       | kHz   |
| <b>POWER SUPPLY</b>                                     |  |               |                  |       |               |                  |       |       |
| Operating Voltage Range                                 |  | +2.8,<br>-3.2 | ±5               | ±16.5 | +2.8,<br>-3.2 | ±5               | ±16.5 | V     |
| Quiescent Current                                       | Zero signal                                  |               | 160              | 200   |               | 160              | 200   | μA    |
| 200 mV rms, No Load                                     | Sine wave input                              |               | 230              | 270   |               | 230              | 270   | μA    |
| <b>TEMPERATURE RANGE</b>                                |  |               |                  |       |               |                  |       |       |
| Operating, Rated Performance                            |  |               |                  |       |               |                  |       |       |
| Commercial  | 0°C to 70°C                                  |               | AD736JN, AD736JR |       |               | AD736KN, AD736KR |       |       |
| Industrial  | -40°C to +85°C                               |               | AD736AQ, AD736AR |       |               | AD736BQ, AD736BR |       |       |

<sup>1</sup> Accuracy is specified with the AD736 connected as shown in Figure 18 with Capacitor  $C_c$ .

<sup>2</sup> Nonlinearity is defined as the maximum deviation (in percent error) from a straight line connecting the readings at 0 mV rms and 200 mV rms. Output offset voltage is adjusted to zero.

<sup>3</sup> Error vs. crest factor is specified as additional error for a 200 mV rms signal. Crest factor =  $V_{PEAK}/V_{RMS}$ .

<sup>4</sup> DC offset does not limit ac resolution.

## ABSOLUTE MAXIMUM RATINGS

Table 2.

| Parameter                            | Rating                                      |
|--------------------------------------|---|
| Supply Voltage                       | $\pm 16.5$ V                                |
| Internal Power Dissipation           | 200 mW                                      |
| Input Voltage                        |   |
| Pin 2 through Pin 8                  | $\pm V_S$                                   |
| Pin 1                                | $\pm 12$ V                                  |
| Output Short-Circuit Duration        | Indefinite                                  |
| Differential Input Voltage           | $+V_S$ and $-V_S$                           |
| Storage Temperature Range (Q)        | $-65^\circ\text{C}$ to $+150^\circ\text{C}$ |
| Storage Temperature Range (N, R)     | $-65^\circ\text{C}$ to $+125^\circ\text{C}$ |
| Lead Temperature (Soldering, 60 sec) | $300^\circ\text{C}$                         |
| ESD Rating                           | 500 V                                       |

Stresses above those listed under Absolute Maximum Ratings may cause permanent damage to the device. This is a stress rating only; functional operation of the device at these or any other conditions above those indicated in the operational section of this specification is not implied. Exposure to absolute maximum rating conditions for extended periods may affect device reliability.

## THERMAL RESISTANCE

$\theta_{JA}$  is specified for the worst-case conditions, that is, a device soldered in a circuit board for surface-mount packages.

Table 3. Thermal Resistance

| Package Type  | $\theta_{JA}$ | Unit                      |
|---------------|---------------|---------------------------|
| 8-Lead PDIP   | 165           | $^\circ\text{C}/\text{W}$ |
| 8-Lead CERDIP | 110           | $^\circ\text{C}/\text{W}$ |
| 8-Lead SOIC   | 155           | $^\circ\text{C}/\text{W}$ |

## ESD CAUTION



**ESD (electrostatic discharge) sensitive device.** Charged devices and circuit boards can discharge without detection. Although this product features patented or proprietary protection circuitry, damage may occur on devices subjected to high energy ESD. Therefore, proper ESD precautions should be taken to avoid performance degradation or loss of functionality.

## PIN CONFIGURATION AND FUNCTION DESCRIPTIONS

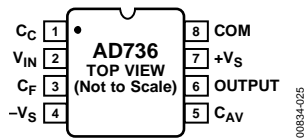


Figure 2. Pin Configuration

Table 4. Pin Function Descriptions

| Pin No. | Mnemonic | Description   |
|---------|----------|---|
| 1       | $C_C$    | Coupling Capacitor. If dc coupling is desired at Pin 2, connect a coupling capacitor to this pin. If the coupling at Pin 2 is ac, connect this pin to ground. Note that this pin is also an input, with an input impedance of 8 k $\Omega$ . Such an input is useful for applications with high input voltages and low supply voltages. |
| 2       | $V_{IN}$ | High Input Impedance Pin.   |
| 3       | $C_F$    | Connect an Auxiliary Low-Pass Filter Capacitor from the Output.   |
| 4       | $-V_S$   | Negative Supply Voltage if Dual Supplies Are Used, or Ground if Connected to a Single-Supply Source.  |
| 5       | $C_{AV}$ | Connect the Averaging Capacitor Here.   |
| 6       | OUTPUT   | DC Output Voltage.  |
| 7       | $+V_S$   | Positive Supply Voltage.  |
| 8       | COM      | Common.   |

TYPICAL PERFORMANCE CHARACTERISTICS

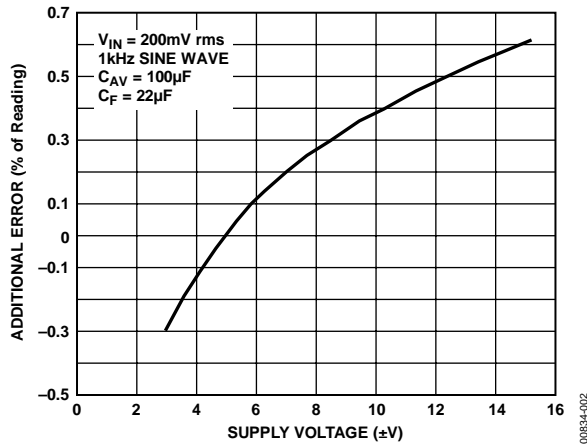


Figure 3. Additional Error vs. Supply Voltage

00834-002

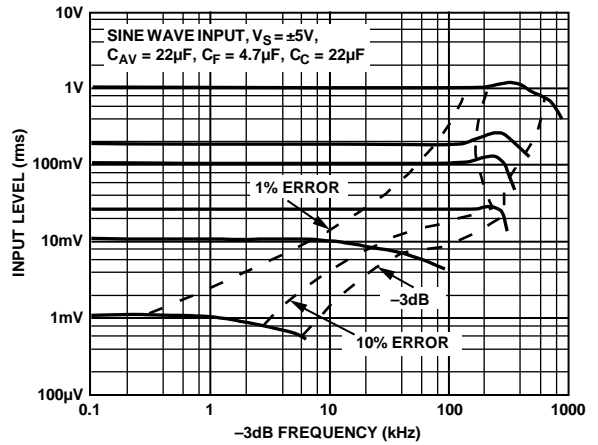


Figure 6. Frequency Response Driving Pin 1

00834-005

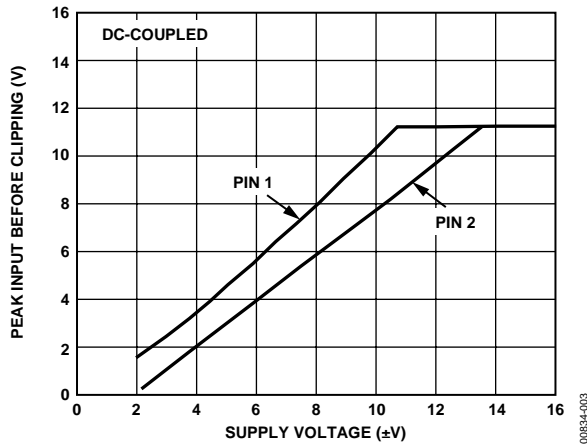


Figure 4. Maximum Input Level vs. Supply Voltage

00834-003

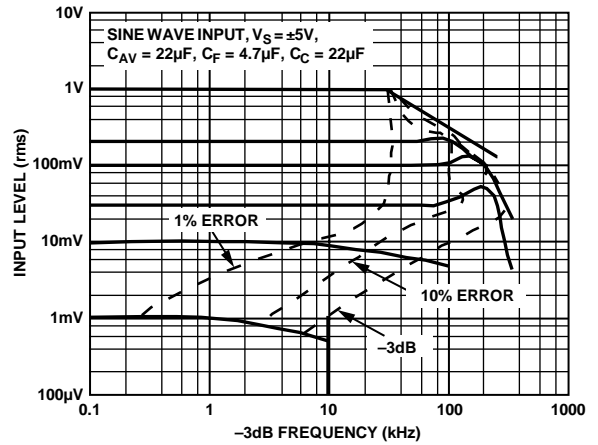


Figure 7. Frequency Response Driving Pin 2

00834-006

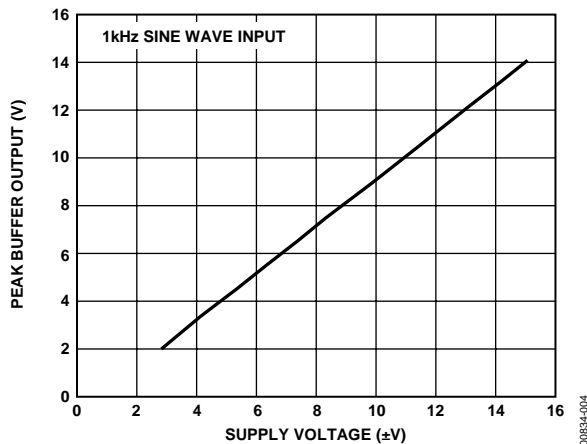


Figure 5. Peak Buffer Output vs. Supply Voltage

00834-004

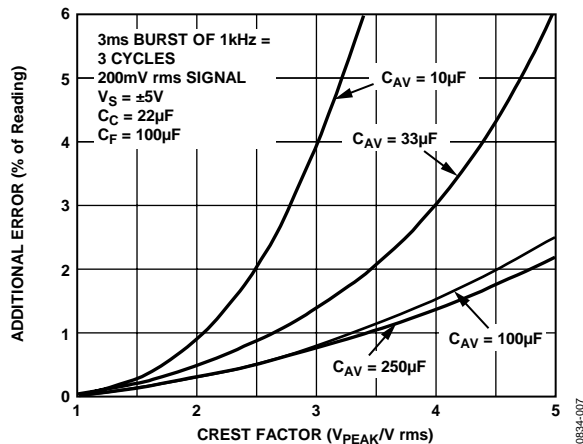


Figure 8. Additional Error vs. Crest Factor with Various Values of  $C_{AV}$

00834-007

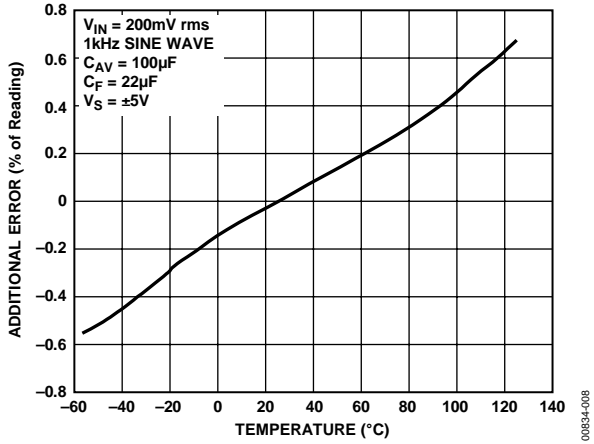


Figure 9. Additional Error vs. Temperature

00834-008

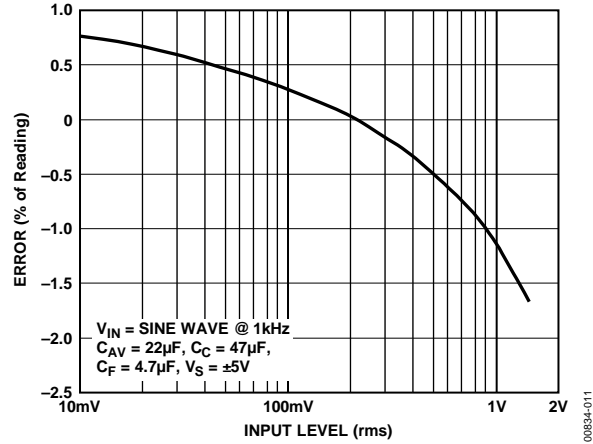


Figure 12. Error vs. RMS Input Voltage (Pin 2), Output Buffer Offset Is Adjusted to Zero

00834-011

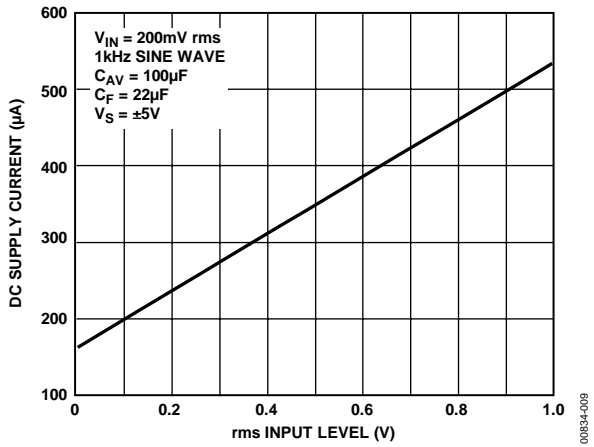


Figure 10. DC Supply Current vs. rms Input Level

00834-009

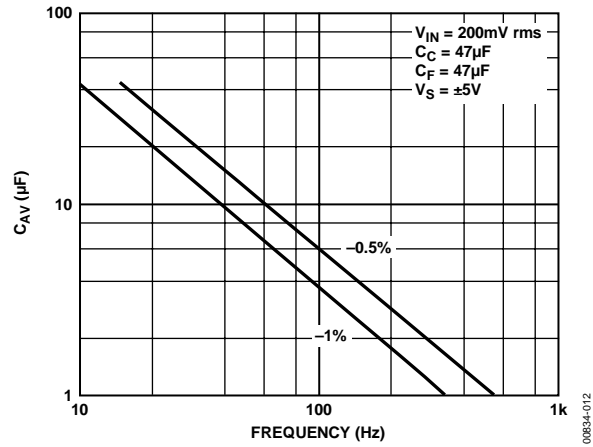


Figure 13.  $C_{AV}$  vs. Frequency for Specified Averaging Error

00834-012

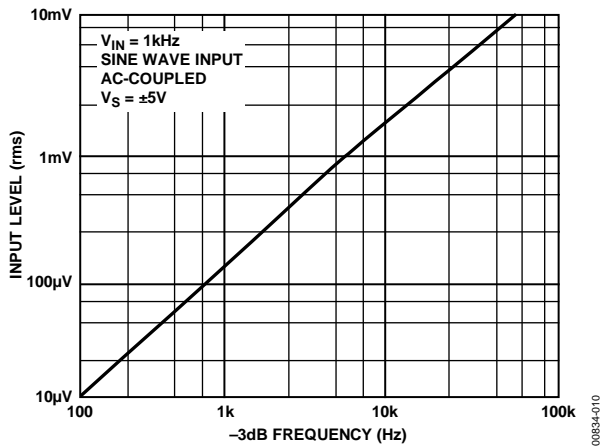


Figure 11. RMS Input Level (Pin 2) vs. -3 dB Frequency

00834-010

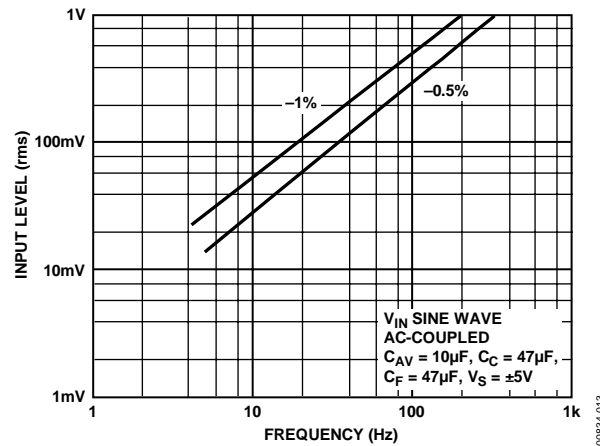


Figure 14. RMS Input Level vs. Frequency for Specified Averaging Error

00834-013

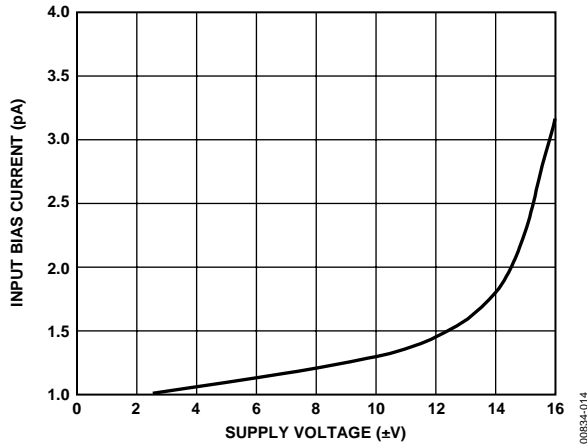


Figure 15. Pin 2 Input Bias Current vs. Supply Voltage

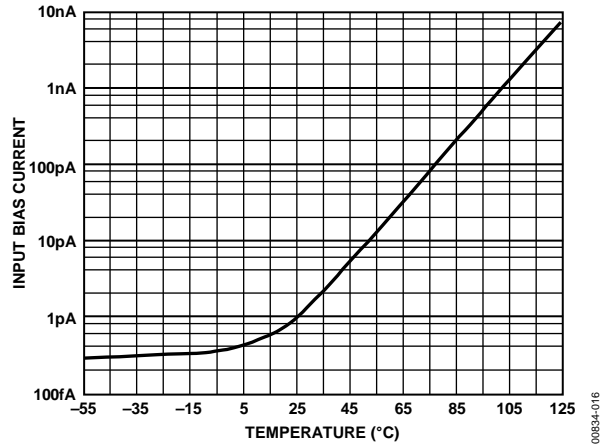


Figure 17. Pin 2 Input Bias Current vs. Temperature

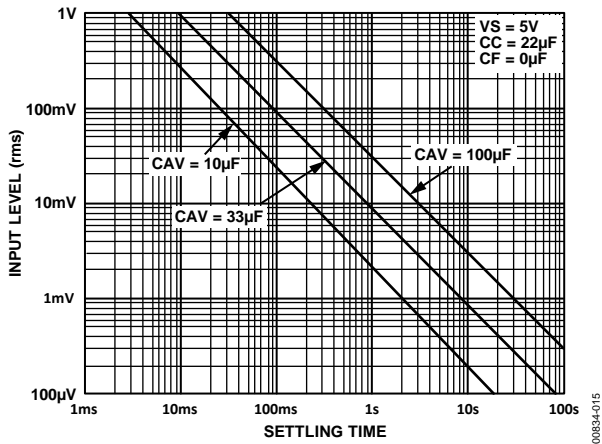


Figure 16. RMS Input Level for Various Values of  $C_{AV}$  vs. Settling Time



Mathematically, the rms value of a voltage is defined (using a simplified equation) as

$$V_{\text{rms}} = \sqrt{\text{Avg}(V^2)}$$

This involves squaring the signal, taking the average, and then obtaining the square root. True rms converters are smart rectifiers; they provide an accurate rms reading regardless of the type of waveform being measured. However, average responding converters can exhibit very high errors when their input signals deviate from their precalibrated waveform; the magnitude of the error depends on the type of waveform being measured. For example, if an average responding converter is calibrated to measure the rms value of sine wave voltages and then is used to measure either symmetrical square waves or dc voltages, the converter has a computational error 11% (of reading) higher than the true rms value (see Table 5).

### CALCULATING SETTLING TIME USING FIGURE 16

Figure 16 can be used to closely approximate the time required for the AD736 to settle when its input level is reduced in amplitude. The net time required for the rms converter to settle is the difference between two times extracted from the graph (the initial time minus the final settling time). As an example, consider the following conditions: a 33  $\mu\text{F}$  averaging capacitor, a 100 mV initial rms input level, and a final (reduced) 1 mV input level. From Figure 16, the initial settling time (where the 100 mV line intersects the 33  $\mu\text{F}$  line) is approximately 80 ms.

The settling time corresponding to the new or final input level of 1 mV is approximately 8 seconds. Therefore, the net time for the circuit to settle to its new value is 8 seconds minus 80 ms, which is 7.92 seconds. Note that because of the smooth decay characteristic inherent with a capacitor/diode combination, this is the total settling time to the final value (that is, not the settling time to 1%, 0.1%, and so on, of the final value). In addition, this graph provides the worst-case settling time because the AD736 settles very quickly with increasing input levels.

### RMS MEASUREMENT—CHOOSING THE OPTIMUM VALUE FOR $C_{\text{AV}}$

Because the external averaging capacitor,  $C_{\text{AV}}$ , holds the rectified input signal during rms computation, its value directly affects the accuracy of the rms measurement, especially at low frequencies. Furthermore, because the averaging capacitor appears across a diode in the rms core, the averaging time constant increases exponentially as the input signal is reduced. This means that as the input level decreases, errors due to nonideal averaging decrease, and the time required for the circuit to settle to the new rms level increases. Therefore, lower input levels allow the circuit to perform better (due to increased averaging) but increase the waiting time between measurements. Obviously, when selecting  $C_{\text{AV}}$ , a trade-off between computational accuracy and settling time is required.

**Table 5. Error Introduced by an Average Responding Circuit when Measuring Common Waveforms**

| Waveform Type 1 V Peak Amplitude   | Crest Factor ( $V_{\text{PEAK}}/V_{\text{rms}}$ ) | True RMS Value (V) | Average Responding Circuit Calibrated to Read RMS Value of Sine Waves (V) | % of Reading Error Using Average Responding Circuit |
|------------------------------------|---|--------------------|---|---|
| Undistorted Sine Wave              | 1.414   | 0.707              | 0.707   | 0   |
| Symmetrical Square Wave            | 1.00  | 1.00               | 1.11  | +11.0   |
| Undistorted Triangle Wave          | 1.73  | 0.577              | 0.555   | -3.8  |
| Gaussian Noise (98% of Peaks <1 V) | 3   | 0.333              | 0.295   | -11.4   |
| Rectangular                        | 2   | 0.5                | 0.278   | -44   |
| Pulse Train                        | 10  | 0.1                | 0.011   | -89   |
| SCR Waveforms                      |   |                    |   |   |
| 50% Duty Cycle                     | 2   | 0.495              | 0.354   | -28   |
| 25% Duty Cycle                     | 4.7   | 0.212              | 0.150   | -30   |

## RAPID SETTLING TIMES VIA THE AVERAGE RESPONDING CONNECTION

Because the average responding connection shown in Figure 19 does not use the  $C_{AV}$  averaging capacitor, its settling time does not vary with the input signal level. It is determined solely by the RC time constant of  $C_F$  and the internal 8 k $\Omega$  resistor in the output amplifier's feedback path.

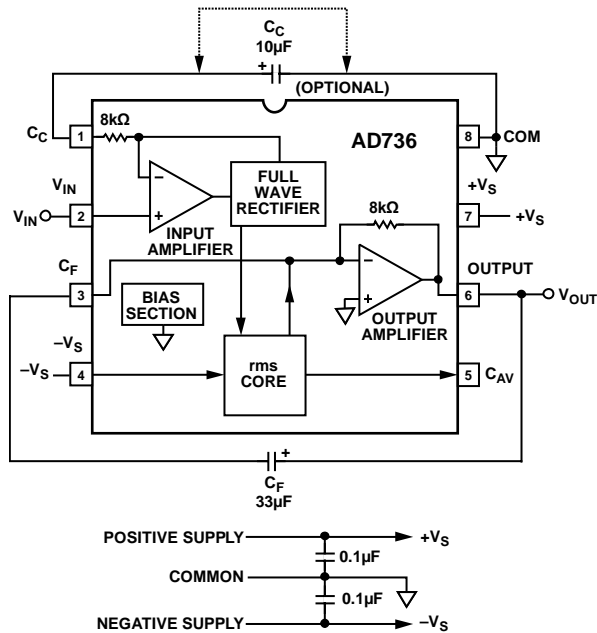


Figure 19. AD736 Average Responding Circuit

## DC ERROR, OUTPUT RIPPLE, AND AVERAGING ERROR

Figure 20 shows the typical output waveform of the AD736 with a sine wave input applied. As with all real-world devices, the ideal output of  $V_{OUT} = V_{IN}$  is never achieved exactly. Instead, the output contains both a dc and an ac error component.

As shown in Figure 20, the dc error is the difference between the average of the output signal (when all the ripple in the output is removed by external filtering) and the ideal dc output. The dc error component is therefore set solely by the value of the averaging capacitor used. No amount of post filtering (that is, using a very large  $C_F$ ) allows the output voltage to equal its ideal value. The ac error component, an output ripple, can be easily removed by using a large enough post filtering capacitor,  $C_F$ .

In most cases, the combined magnitudes of both the dc and ac error components need to be considered when selecting appropriate values for Capacitor  $C_{AV}$  and Capacitor  $C_F$ . This combined error, representing the maximum uncertainty of the measurement, is termed the averaging error and is equal to the peak value of the output ripple plus the dc error.

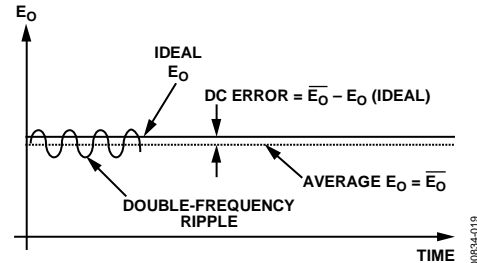


Figure 20. Output Waveform for Sine Wave Input Voltage

As the input frequency increases, both error components decrease rapidly; if the input frequency doubles, the dc error and ripple reduce to one quarter and one half of their original values, respectively, and rapidly become insignificant.

## AC MEASUREMENT ACCURACY AND CREST FACTOR

The crest factor of the input waveform is often overlooked when determining the accuracy of an ac measurement. Crest factor is defined as the ratio of the peak signal amplitude to the rms amplitude (crest factor =  $V_{PEAK}/V_{rms}$ ). Many common waveforms, such as sine and triangle waves, have relatively low crest factors ( $\leq 2$ ). Other waveforms, such as low duty-cycle pulse trains and SCR waveforms, have high crest factors. These types of waveforms require a long averaging time constant (to average out the long periods between pulses). Figure 8 shows the additional error vs. the crest factor of the AD736 for various values of  $C_{AV}$ .

# APPLICATIONS

## CONNECTING THE INPUT

The inputs of the AD736 resemble an op amp, with noninverting and inverting inputs. The input stages are JFETs accessible at Pin 1 and Pin 2. Designated as the high impedance input, Pin 2 is connected directly to a JFET gate. Pin 1 is the low impedance input because of the scaling resistor connected to the gate of the second JFET. This gate-resistor junction is not externally accessible and is servo-ed to the voltage level of the gate of the first JFET, as in a classic feedback circuit. This action results in the typical 8 kΩ input impedance referred to ground or reference level.

This input structure provides four input configurations as shown in Figure 21, Figure 22, Figure 23, and Figure 24. Figure 21 and Figure 22 show the high impedance configurations, and Figure 23 and Figure 24 show the low impedance connections used to extend the input voltage range.

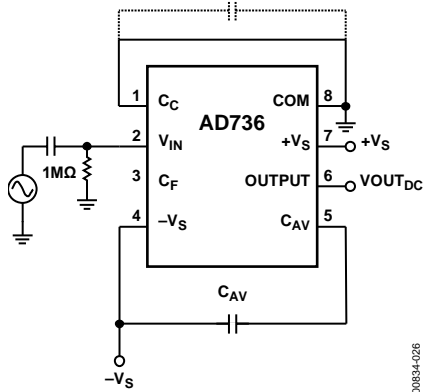


Figure 21. High-Z AC-Coupled Input Connection (Default)

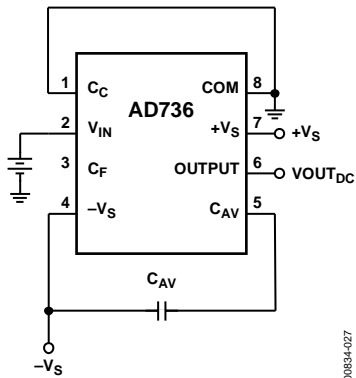


Figure 22. High-Z DC-Coupled Input Connection

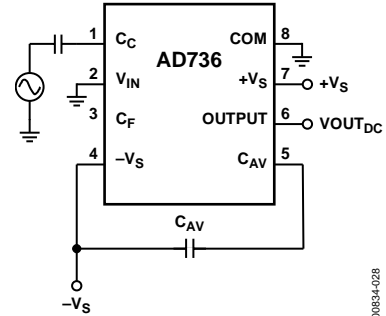


Figure 23. Low-Z AC-Coupled Input Connection

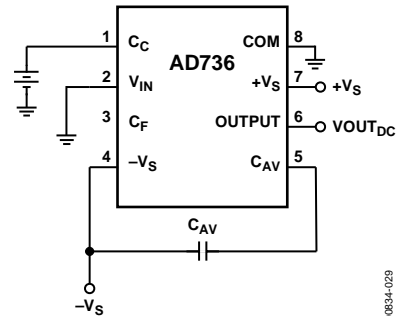


Figure 24. Low-Z DC-Coupled Input Connection

### SELECTING PRACTICAL VALUES FOR INPUT COUPLING ( $C_C$ ), AVERAGING ( $C_{AV}$ ), AND FILTERING ( $C_F$ ) CAPACITORS

Table 6 provides practical values of  $C_{AV}$  and  $C_F$  for several common applications.

The input coupling capacitor,  $C_C$ , in conjunction with the 8 k $\Omega$  internal input scaling resistor, determine the -3 dB low frequency roll-off. This frequency,  $F_L$ , is equal to

$$F_L = \frac{1}{2\pi(8000)(\text{Value of } C_C \text{ in Farads})}$$

Note that at  $F_L$ , the amplitude error is approximately -30% (-3 dB) of the reading. To reduce this error to 0.5% of the reading, choose a value of  $C_C$  that sets  $F_L$  at one-tenth of the lowest frequency to be measured.

In addition, if the input voltage has more than 100 mV of dc offset, then the ac-coupling network shown in Figure 27 should be used in addition to  $C_C$ .

**Table 6. Capacitor Selection Chart**

| Application                        | RMS Input Level | Low Frequency Cutoff (-3 dB) | Max Crest Factor | $C_{AV}$ ( $\mu F$ ) | $C_F$ ( $\mu F$ ) | Settling Time <sup>1</sup> to 1% |
|------------------------------------|-----------------|------------------------------|------------------|----------------------|-------------------|----------------------------------|
| General-Purpose RMS Computation    | 0 V to 1 V      | 20 Hz                        | 5                | 150                  | 10                | 360 ms                           |
|                                    |                 | 200 Hz                       | 5                | 15                   | 1                 | 36 ms                            |
|                                    | 0 mV to 200 mV  | 20 Hz                        | 5                | 33                   | 10                | 360 ms                           |
|                                    |                 | 200 Hz                       | 5                | 3.3                  | 1                 | 36 ms                            |
| General Purpose Average Responding | 0 V to 1 V      | 20 Hz                        |                  | None                 | 33                | 1.2 sec                          |
|                                    |                 | 200 Hz                       |                  | None                 | 3.3               | 120 ms                           |
|                                    | 0 mV to 200 mV  | 20 Hz                        |                  | None                 | 33                | 1.2 sec                          |
|                                    |                 | 200 Hz                       |                  | None                 | 3.3               | 120 ms                           |
| SCR Waveform Measurement           | 0 mV to 200 mV  | 50 Hz                        | 5                | 100                  | 33                | 1.2 sec                          |
|                                    |                 | 60 Hz                        | 5                | 82                   | 27                | 1.0 sec                          |
|                                    | 0 mV to 100 mV  | 50 Hz                        | 5                | 50                   | 33                | 1.2 sec                          |
|                                    |                 | 60 Hz                        | 5                | 47                   | 27                | 1.0 sec                          |
| Audio Applications                 | 0 mV to 200 mV  | 300 Hz                       | 3                | 1.5                  | 0.5               | 18 ms                            |
|                                    | 0 mV to 100 mV  | 20 Hz                        | 10               | 100                  | 68                | 2.4 sec                          |

<sup>1</sup> Settling time is specified over the stated rms input level with the input signal increasing from zero. Settling times are greater for decreasing amplitude input signals.

**ADDITIONAL APPLICATION CONCEPTS**

Figure 25 through Figure 28 show four application concepts. Figure 25 shows the high input impedance FET input connected to a multitap attenuator network used in various types of instruments requiring wide ranges of voltages. For a direct network connection, the gate-charge bleeding resistor is not required. The impedance of the FET input is high enough ( $10^{12} \Omega$ ) so that the loading error is negligible. Manufacturers and distributors of the matched precision resistor networks shown in these figures can easily be found on the Web. The voltages shown in the diagrams are the input levels corresponding to 200 mV at each tap. Finally, the

47 k $\Omega$ , 1 W resistor and diode pair are a practical input protection scheme for ac line connection measurements.

Figure 26 shows both inputs connected differentially. Figure 27 shows additional components used for offset correction of the output amplifier, and Figure 28 shows connections for single-supply operation such as is the case for handheld devices.

Further information can be found in the [AN-268 Application Note—RMS-to-DC Converters Ease Measurement Tasks](#)—and the [RMS to DC Converter Application Guide](#), both of which can be found on the Analog Devices, Inc., website.

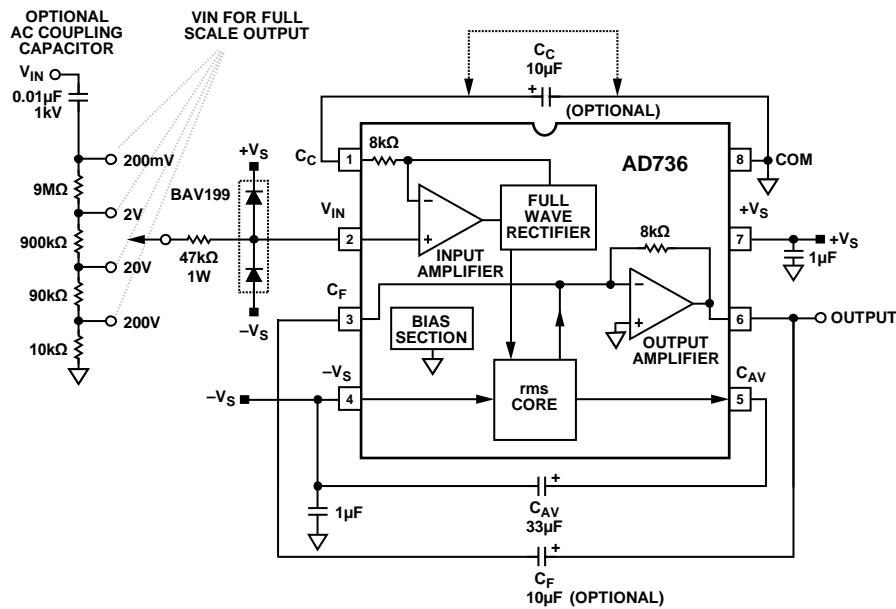


Figure 25. AD736 with a High Impedance Input Attenuator

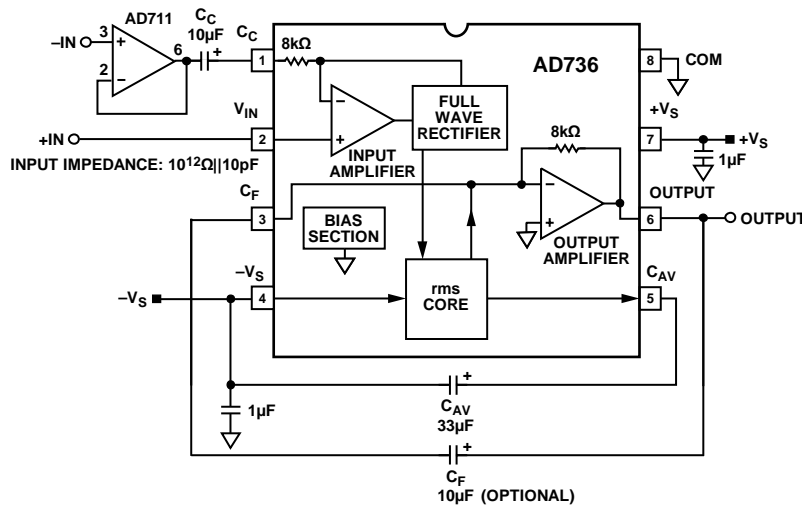


Figure 26. Differential Input Connection

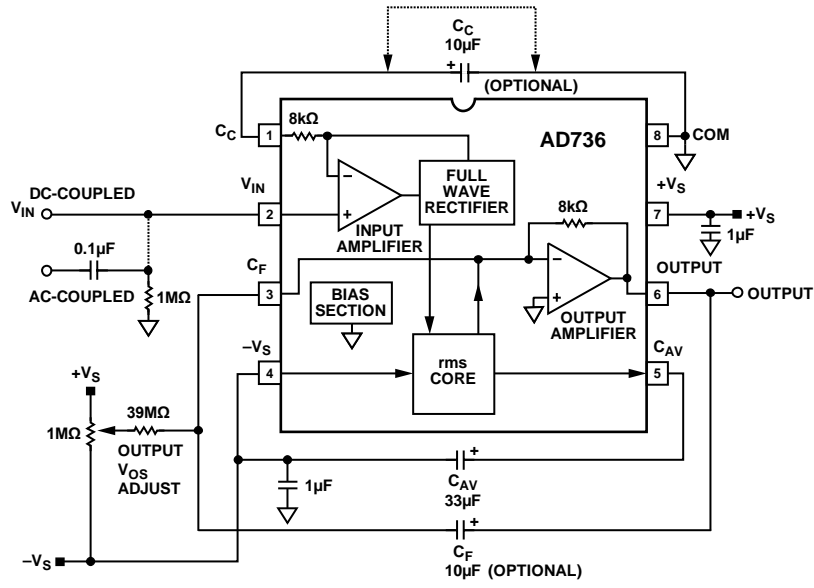


Figure 27. External Output  $V_{OS}$  Adjustment

00834-022

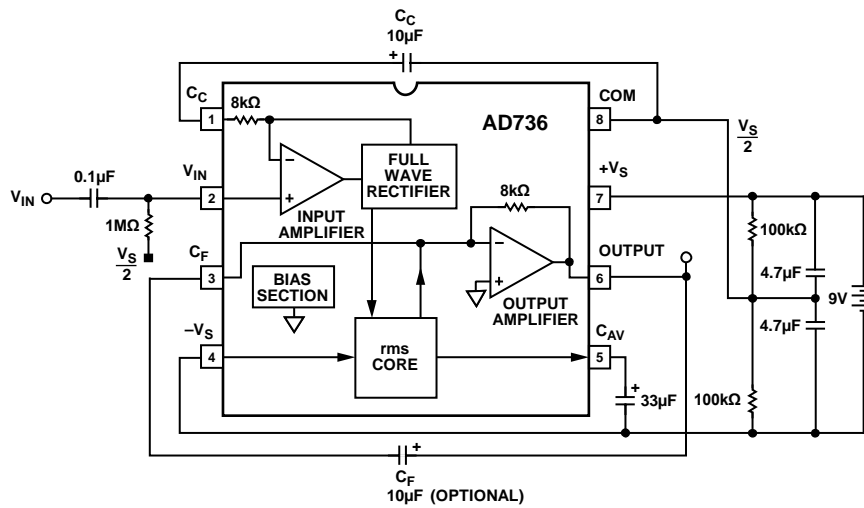


Figure 28. Battery-Powered Option

00834-023



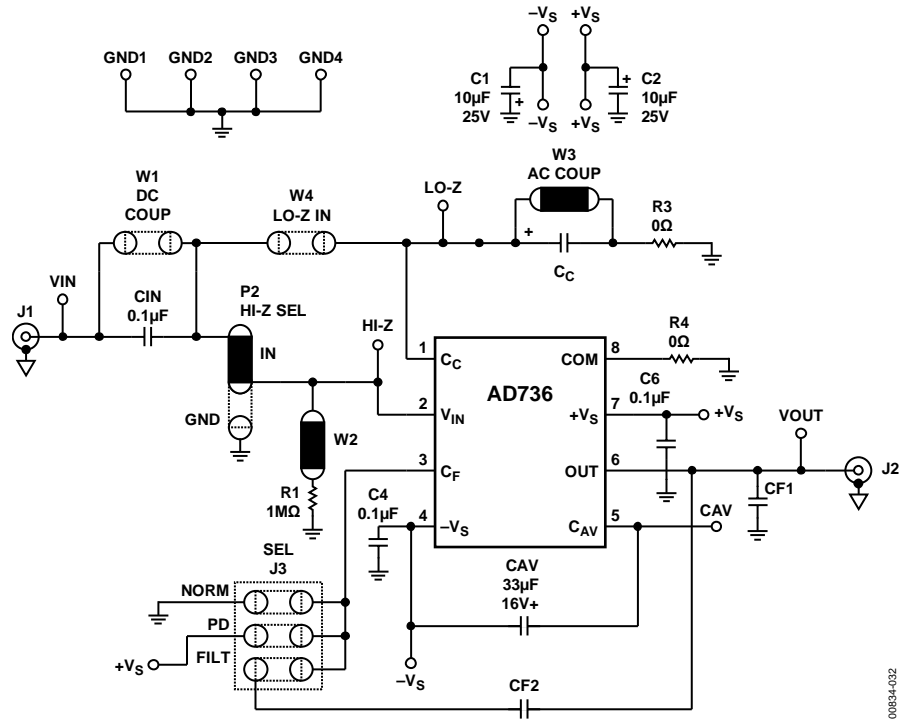
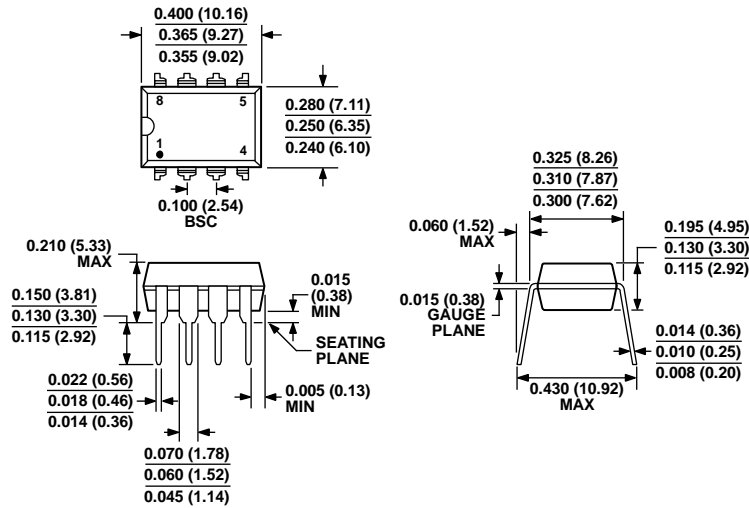


Figure 35. Evaluation Board Schematic

00834-032

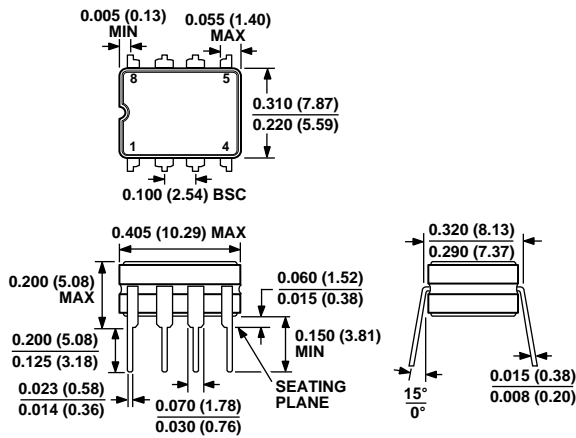
OUTLINE DIMENSIONS



COMPLIANT TO JEDEC STANDARDS MS-001  
 CONTROLLING DIMENSIONS ARE IN INCHES; MILLIMETER DIMENSIONS (IN PARENTHESES) ARE ROUNDED-OFF INCH EQUIVALENTS FOR REFERENCE ONLY AND ARE NOT APPROPRIATE FOR USE IN DESIGN. CORNER LEADS MAY BE CONFIGURED AS WHOLE OR HALF LEADS.

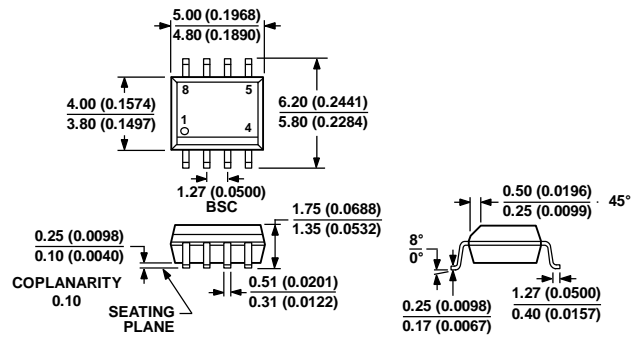
Figure 36. 8-Lead Plastic Dual In-Line Package [PDIP] Narrow Body (N-8)  
 Dimensions shown in inches and (millimeters)

070606-A



CONTROLLING DIMENSIONS ARE IN INCHES; MILLIMETER DIMENSIONS (IN PARENTHESES) ARE ROUNDED-OFF INCH EQUIVALENTS FOR REFERENCE ONLY AND ARE NOT APPROPRIATE FOR USE IN DESIGN.

Figure 37. 8-Lead Ceramic Dual In-Line Package [CERDIP] (Q-8)  
 Dimensions shown in inches and (millimeters)



COMPLIANT TO JEDEC STANDARDS MS-012-AA  
 CONTROLLING DIMENSIONS ARE IN MILLIMETERS; INCH DIMENSIONS (IN PARENTHESES) ARE ROUNDED-OFF MILLIMETER EQUIVALENTS FOR REFERENCE ONLY AND ARE NOT APPROPRIATE FOR USE IN DESIGN.

Figure 38. 8-Lead Standard Small Outline Package [SOIC\_N] Narrow Body (R-8)  
 Dimensions shown in millimeters and (inches)

012407-A



## ORDERING GUIDE

| Model <sup>1</sup> | Temperature Range | Package Description | Package Option |
|--------------------|-------------------|---------------------|----------------|
| AD736AQ            | -40°C to +85°C    | 8-Lead CERDIP       | Q-8            |
| AD736BQ            | -40°C to +85°C    | 8-Lead CERDIP       | Q-8            |
| AD736AR-REEL       | -40°C to +85°C    | 8-Lead SOIC_N       | R-8            |
| AD736AR-REEL7      | -40°C to +85°C    | 8-Lead SOIC_N       | R-8            |
| AD736ARZ           | -40°C to +85°C    | 8-Lead SOIC_N       | R-8            |
| AD736ARZ-R7        | -40°C to +85°C    | 8-Lead SOIC_N       | R-8            |
| AD736ARZ-RL        | -40°C to +85°C    | 8-Lead SOIC_N       | R-8            |
| AD736BR-REEL       | -40°C to +85°C    | 8-Lead SOIC_N       | R-8            |
| AD736BR-REEL7      | -40°C to +85°C    | 8-Lead SOIC_N       | R-8            |
| AD736BRZ           | -40°C to +85°C    | 8-Lead SOIC_N       | R-8            |
| AD736BRZ-R7        | -40°C to +85°C    | 8-Lead SOIC_N       | R-8            |
| AD736BRZ-RL        | -40°C to +85°C    | 8-Lead SOIC_N       | R-8            |
| AD736JN            | 0°C to +70°C      | 8-Lead PDIP         | N-8            |
| AD736JNZ           | 0°C to +70°C      | 8-Lead PDIP         | N-8            |
| AD736KNZ           | 0°C to +70°C      | 8-Lead PDIP         | N-8            |
| AD736JR            | 0°C to +70°C      | 8-Lead SOIC_N       | R-8            |
| AD736JR-REEL       | 0°C to +70°C      | 8-Lead SOIC_N       | R-8            |
| AD736JR-REEL7      | 0°C to +70°C      | 8-Lead SOIC_N       | R-8            |
| AD736JRZ           | 0°C to +70°C      | 8-Lead SOIC_N       | R-8            |
| AD736JRZ-RL        | 0°C to +70°C      | 8-Lead SOIC_N       | R-8            |
| AD736JRZ-R7        | 0°C to +70°C      | 8-Lead SOIC_N       | R-8            |
| AD736KRZ           | 0°C to +70°C      | 8-Lead SOIC_N       | R-8            |
| AD736KRZ-RL        | 0°C to +70°C      | 8-Lead SOIC_N       | R-8            |
| AD736KRZ-R7        | 0°C to +70°C      | 8-Lead SOIC_N       | R-8            |
| AD736-EVALZ        |                   | Evaluation Board    |                |

<sup>1</sup> Z = RoHS Compliant Part.

## Looking for pricing, stock, or lifecycle information?

Click below to explore more details on WIN SOURCE:

-  [View AD736ARZ on WIN SOURCE](#)
-  [Analog Devices Inc. Information](#)

## Optimize Your Supply Chain with WIN SOURCE Solutions

-  Global Sourcing Solution
-  Obsolete Management
-  Cost Control Management
-  Shortage Management
-  Alternative Solution
-  Excess Inventory Management