



THE DATASHEET OF ADS930E





SpeedPLUS™ 8-Bit, 30MHz Sampling ANALOG-TO-DIGITAL CONVERTER

FEATURES

- +3V TO +5V SUPPLY OPERATION
- INTERNAL REFERENCE
- SINGLE-ENDED INPUT RANGE: 1V to 2V
- LOW POWER: 66mW at +3V
- HIGH SNR: 46dB
- LOW DNL: 0.4LSB
- SSOP-28 PACKAGE

APPLICATIONS

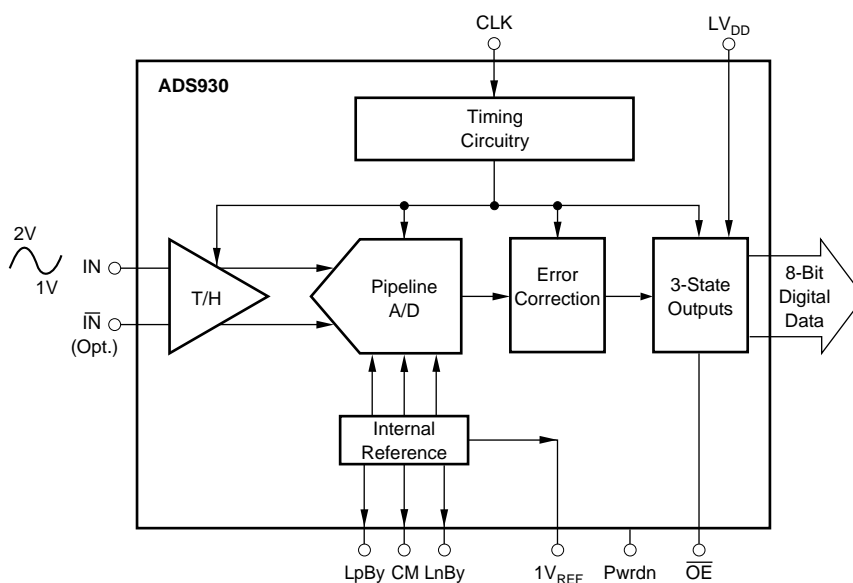
- BATTERY POWERED EQUIPMENT
- CAMCORDERS
- PORTABLE TEST EQUIPMENT
- COMPUTER SCANNERS
- COMMUNICATIONS

DESCRIPTION

The ADS930 is a high speed pipelined Analog-to-Digital Converter (ADC) specified to operate from nominal +3V or +5V power supplies with tolerances of up to 10%. This complete converter includes a high bandwidth track/hold, a 8-bit quantizer and an internal reference.

The ADS930 employs digital error correction techniques to provide excellent differential linearity for demanding imaging applications. Its low distortion and high SNR give the extra margin needed for telecommunications, video and test instrumentation applications.

This high performance ADC is specified for performance at a 30MHz sampling rate. The ADS930 is available in a SSOP-28 package.



Please be aware that an important notice concerning availability, standard warranty, and use in critical applications of Texas Instruments semiconductor products and disclaimers thereto appears at the end of this data sheet.

ABSOLUTE MAXIMUM RATINGS

| | |
|----------------------------|-----------------------|
| +V _S | +6V |
| Analog Input | +V _S +0.3V |
| Logic Input | +V _S +0.3V |
| Case Temperature | +100°C |
| Junction Temperature | +150°C |
| Storage Temperature | +150°C |



ELECTROSTATIC DISCHARGE SENSITIVITY

This integrated circuit can be damaged by ESD. Texas Instruments recommends that all integrated circuits be handled with appropriate precautions. Failure to observe proper handling and installation procedures can cause damage.

ESD damage can range from subtle performance degradation to complete device failure. Precision integrated circuits may be more susceptible to damage because very small parametric changes could cause the device not to meet its published specifications.

PACKAGE/ORDERING INFORMATION

| PRODUCT | PACKAGE | PACKAGE DRAWING NUMBER | SPECIFIED TEMPERATURE RANGE | PACKAGE MARKING | ORDERING NUMBER ⁽¹⁾ | TRANSPORT MEDIA |
|---------|---------|------------------------|-----------------------------|-----------------|--------------------------------|-----------------|
| ADS930E | SSOP-28 | 324 | -40°C to +85°C | ADS930E | ADS930E | Rails |
| " | " | " | " | ADS930E | ADS930E/1K | Tape and Reel |

NOTE: (1) Models with a slash (/) are available only in Tape and Reel in the quantities indicated (e.g., /1K indicates 1000 devices per reel). Ordering 1000 pieces of "ADS930E/1K" will get a single 1000-piece Tape and Reel.

ELECTRICAL CHARACTERISTICS

At T_A = +25°C, V_S = +3V, Single-ended Input and Sampling Rate = 30MHz, unless otherwise specified.

| PARAMETER | CONDITIONS | TEMP | ADS930E | | | UNITS |
|--|--|--|-------------------------------------|--|---------------|---|
| | | | MIN | TYP | MAX | |
| RESOLUTION Specified Temperature Range | Ambient Air | | -40 | 8 | +85 | Bits °C |
| ANALOG INPUT Differential Full Scale Input Range Single-Ended Full Scale Input Range Common-mode Voltage Analog Input Bias Current Input Impedance | 0.5Vp-p 1Vp-p | | +1.25 +1.0 | 1.5 1 1.25 5 | +1.75 +2.0 | V V V μA MΩ pF |
| DIGITAL INPUTS Logic Family High Input Voltage, V _{IH} Low Input Voltage, V _{IL} High Input Current, I _{IH} Low Input Current, I _{IL} Input Capacitance | | Full | TTL/HCT Compatible CMOS 2.0 | | | V V μA μA pF |
| CONVERSION CHARACTERISTICS Start Conversion Sample Rate Data Latency | | Full | Rising Edge of Convert Clock 10k | | | Samples/s Clk Cyc |
| DYNAMIC CHARACTERISTICS Differential Linearity Error f = 500kHz f = 12MHz No Missing Codes Integral Nonlinearity Error, f = 500kHz Spurious Free Dynamic Range ⁽¹⁾ f = 500kHz (-1dBFS input) f = 12MHz (-1dB input) Two-Tone Intermodulation Distortion ⁽³⁾ f = 3.4MHz and 3.5MHz (-7dBFS each tone) Signal-to-Noise Ratio (SNR) f = 500kHz (-1dBFS input) f = 12MHz (-1dBFS input) Signal-to-(Noise + Distortion) (SINAD) f = 500kHz (-1dBFS input) f = 3.58MHz (-1dBFS input) f = 12MHz (-1dBFS input) | Largest Code Error Largest Code Error | Full Full Full Full Full Full Full Full Full Full Full | 46 | ±0.4 ±0.4 Guaranteed ±1.0 51 50 54 46 46 45 45 45 | ±1 ±2.5 | LSB LSB LSB dBFS ⁽²⁾ dBFS dBc dB dB dB dB dB |

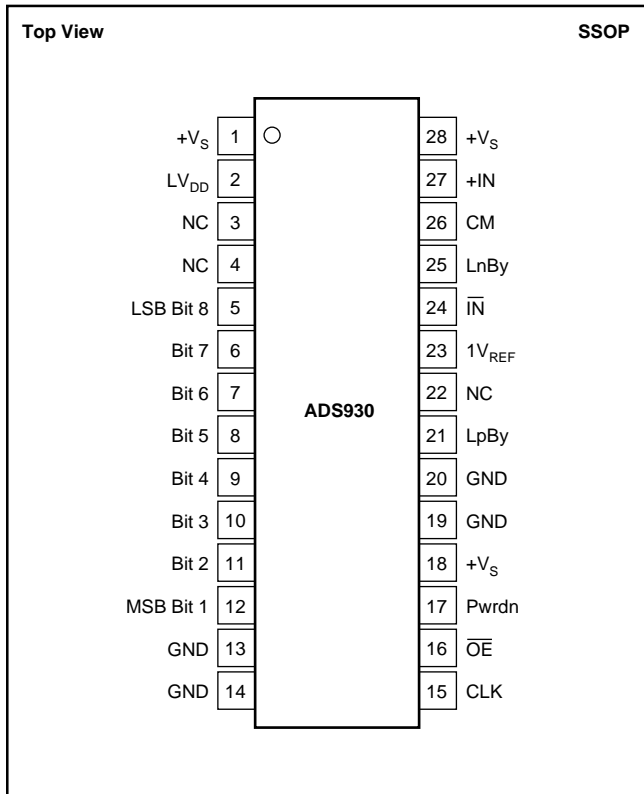
ELECTRICAL CHARACTERISTICS (Cont.)

At $T_A = +25^\circ\text{C}$, $V_S = +3\text{V}$, Single-ended Input and Sampling Rate = 30MHz, unless otherwise specified.

| PARAMETER | CONDITIONS | TEMP | ADS930E | | | UNITS |
|--|----------------------------|------|-------------------------|----------|----------|--------------------|
| | | | MIN | TYP | MAX | |
| Differential Gain Error | NTSC, PAL | | | 2.3 | | % |
| Differential Phase Error | NTSC, PAL | | | 1 | | degrees |
| Output Noise | Input Grounded | | | 0.2 | | LSBs rms |
| Aperture Delay Time | | | | 2 | | ns |
| Aperture Jitter | | | | 7 | | ps rms |
| Analog Input Bandwidth | | | | | | |
| Small Signal | -20dBFS Input | | | 350 | | MHz |
| Full Power | 0dBFS Input | | | 100 | | MHz |
| Overvoltage Recovery Time ⁽⁴⁾ | | | | 2 | | ns |
| DIGITAL OUTPUTS | $C_L = 15\text{pF}$ | | | | | |
| Logic Family | | | TTL/HCT Compatible CMOS | | | |
| Logic Coding | | | Straight Offset Binary | | | |
| High Output Voltage, V_{OH} | | | +2.4 | | V_{DD} | V |
| Low Output Voltage, V_{OL} | | | | | 0.4 | V |
| 3-State Enable Time | $\overline{OE} = L$ | | | 20 | 40 | ns |
| 3-State Disable Time | $OE = H$ | | | 2 | 10 | ns |
| Internal Pull-Down | | | | 50 | | k Ω |
| Power-Down Enable Time | PwrDn = L | | | 133 | | ns |
| Power-Down Disable Time | PwrDn = H | | | 18 | | ns |
| Internal Pull-Down | | | | 50 | | k Ω |
| ACCURACY | $f_s = 2.5\text{MHz}$ | | | | | |
| Gain Error | | Full | | 5.9 | 10 | %FS |
| Input Offset | Referred to Ideal Midscale | Full | | ± 10 | ± 60 | mV |
| Power Supply Rejection (Gain) | $\Delta V_S = +10\%$ | Full | | 56 | | dB |
| Power Supply Rejection (Offset) | | Full | | 56 | | dB |
| Internal Positive Reference Voltage | | Full | | +1.75 | | V |
| Internal Negative Reference Voltage | | Full | | +1.25 | | V |
| POWER SUPPLY REQUIREMENTS | | | | | | |
| Supply Voltage: $+V_S$ | Operating | Full | +2.7 | +3.0 | +5.25 | V |
| Supply Current: $+I_S$ | Operating, +3V | Full | | 22 | | mA |
| Power Dissipation | Operating, +3V | Full | | 66 | 84 | mW |
| | Operating, +5V | Full | | 168 | | mW |
| Power Dissipation (Power Down) | Operating, +3V | Full | | 10 | | mW |
| | Operating, +5V | Full | | 15 | | mW |
| Thermal Resistance, θ_{JA} | | | | | | |
| SSOP-28 | | | | 89 | | $^\circ\text{C/W}$ |

NOTES: (1) Spurious Free Dynamic Range refers to the magnitude of the largest harmonic. (2) dBFS means dB relative to full scale. (3) Two-tone intermodulation distortion is referred to the largest fundamental tone. This number will be 6dB higher if it is referred to the magnitude of the two-tone fundamental envelope. (4) No "Rollover" of bits.

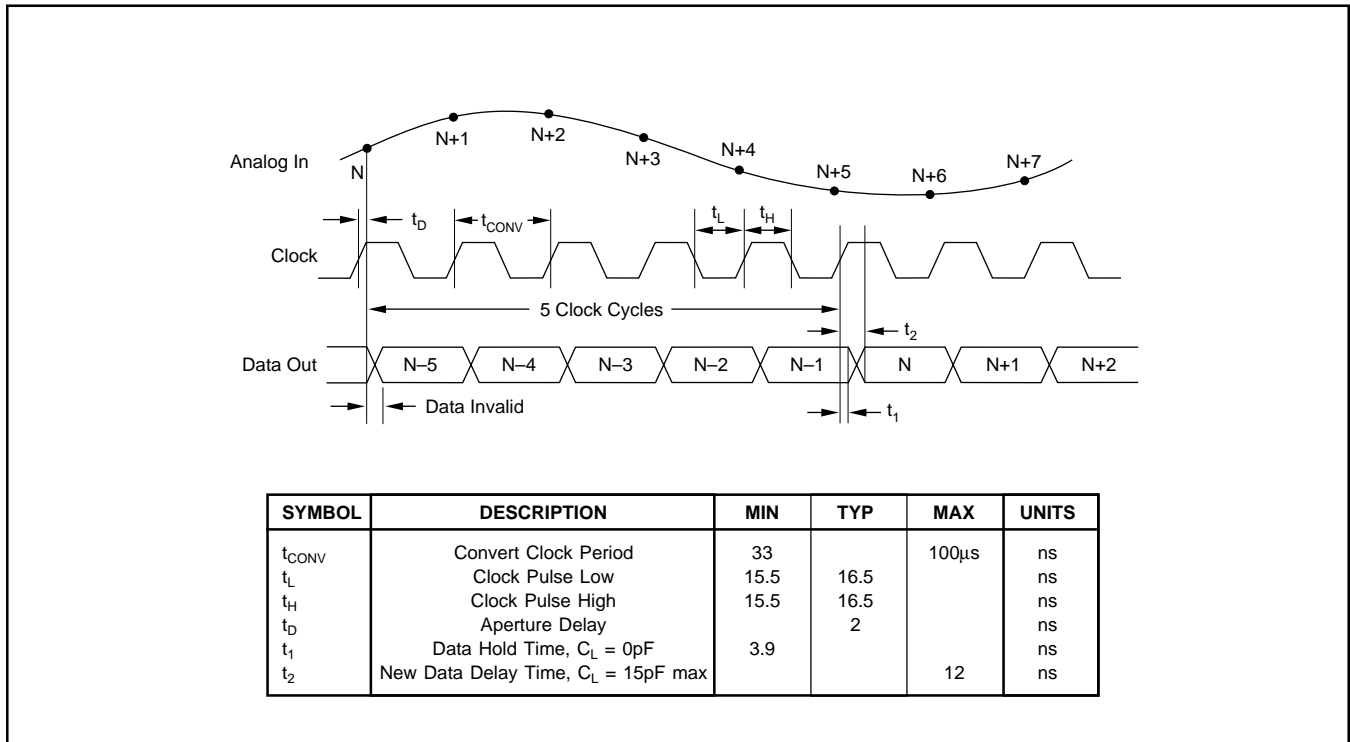
PIN CONFIGURATION



PIN DESCRIPTIONS

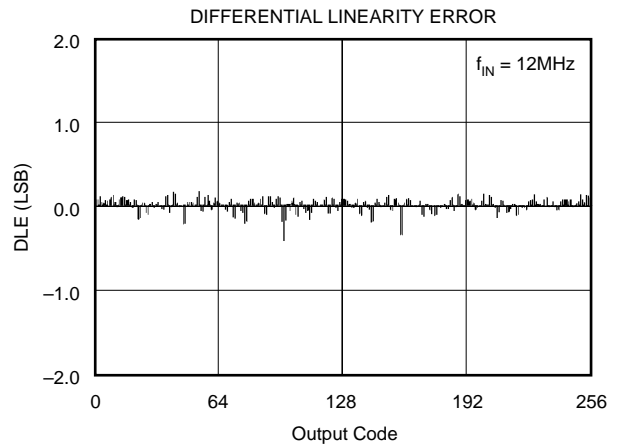
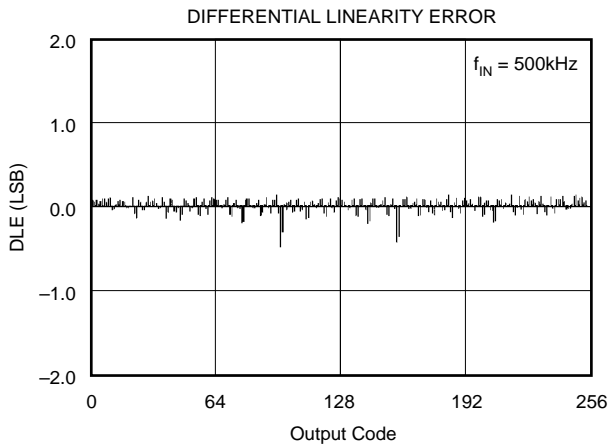
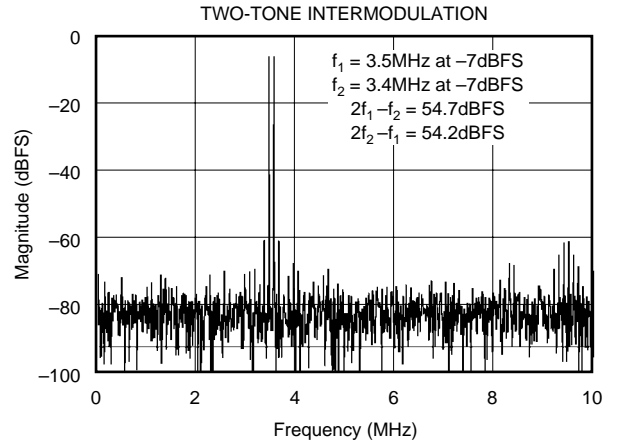
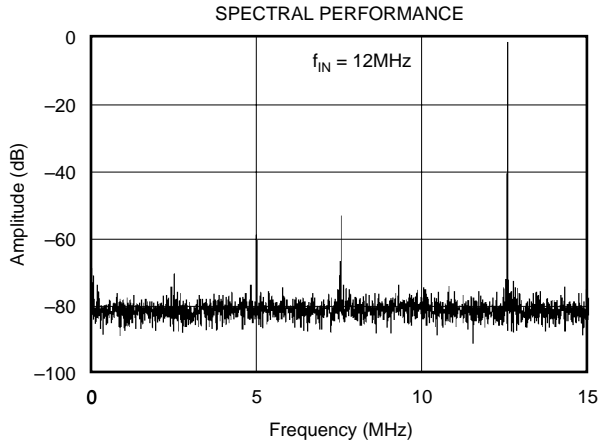
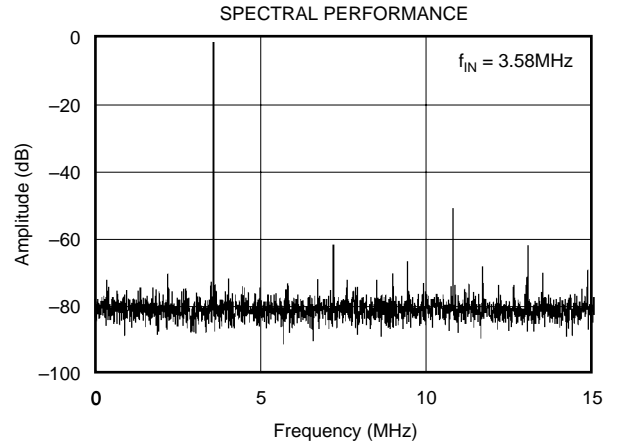
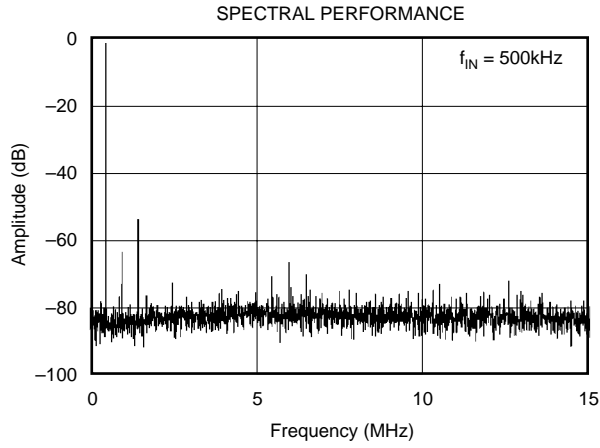
| PIN | DESIGNATOR | DESCRIPTION |
|-----|------------------------|------------------------------------|
| 1 | +V _S | Analog Supply |
| 2 | LV _{DD} | Output Logic Driver Supply Voltage |
| 3 | NC | No Connection |
| 4 | NC | No Connection |
| 5 | Bit 8 (LSB) | Data Bit 8 (D7) |
| 6 | Bit 7 | Data Bit 7 (D6) |
| 7 | Bit 6 | Data Bit 6 (D5) |
| 8 | Bit 5 | Data Bit 5 (D4) |
| 9 | Bit 4 | Data Bit 4 (D3) |
| 10 | Bit 3 | Data Bit 3 (D2) |
| 11 | Bit 2 | Data Bit 2 (D1) |
| 12 | Bit 1(MSB) | Data Bit 1 (D0) |
| 13 | GND | Analog Ground |
| 14 | GND | Analog Ground |
| 15 | CLK | Convert Clock Input |
| 16 | $\overline{\text{OE}}$ | Output Enable, Active Low |
| 17 | Pwr _{dn} | Power Down Pin |
| 18 | +V _S | Analog Supply |
| 19 | GND | Analog Ground |
| 20 | GND | Analog Ground |
| 21 | LpBy | Positive Ladder Bypass |
| 22 | NC | No Connection |
| 23 | 1V _{REF} | 1V Reference Output |
| 24 | $\overline{\text{IN}}$ | Complementary Input |
| 25 | LnBy | Negative Ladder Bypass |
| 26 | CM | Common-Mode Voltage Output |
| 27 | +IN | Analog Input |
| 28 | +V _S | Analog Supply |

TIMING DIAGRAM



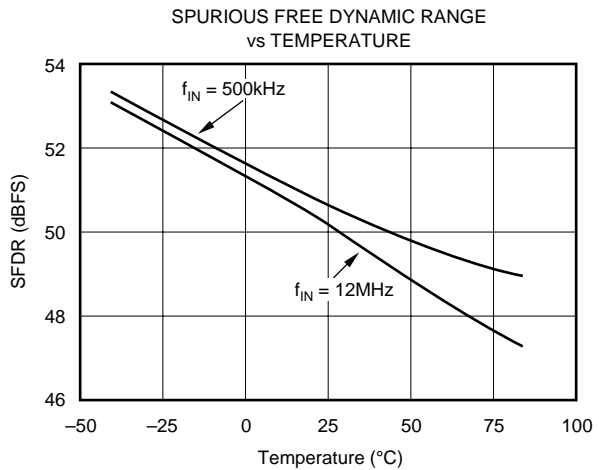
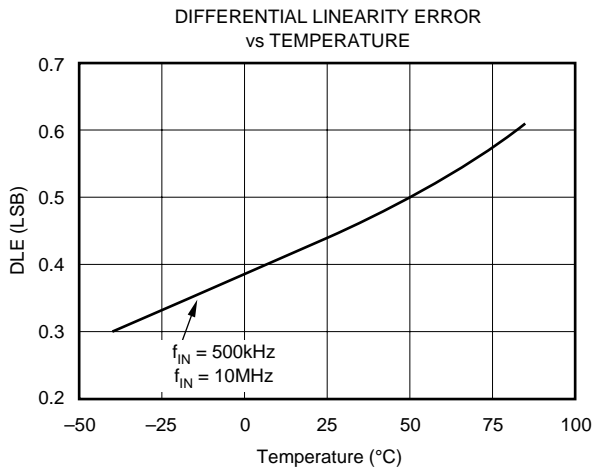
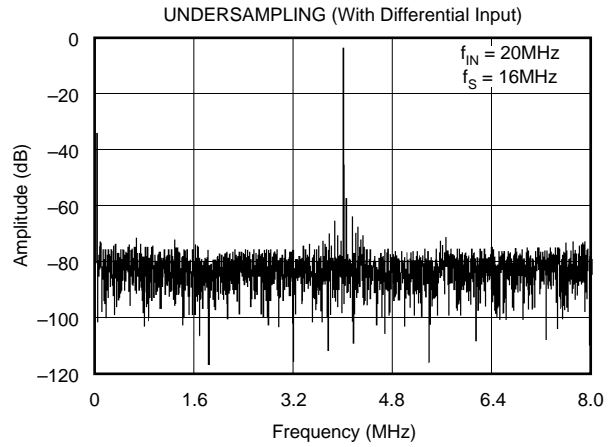
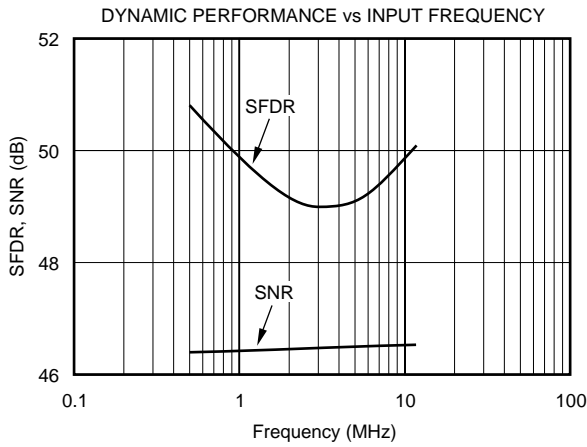
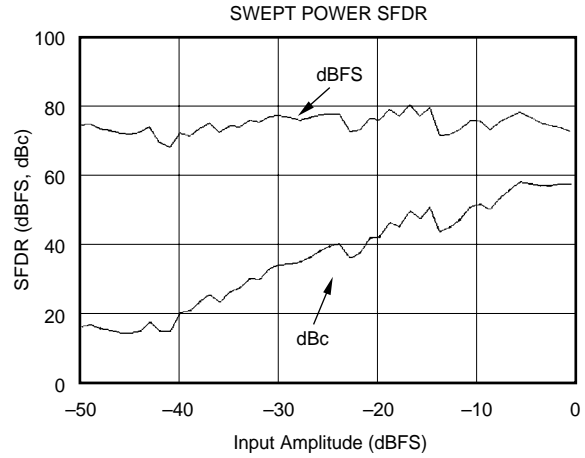
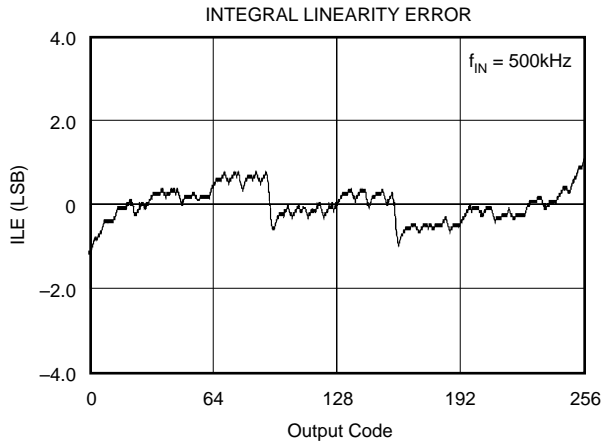
TYPICAL CHARACTERISTICS

At $T_A = +25^\circ\text{C}$, $V_S = +3\text{V}$, Single-ended Input and Sampling Rate = 30MHz, unless otherwise specified.



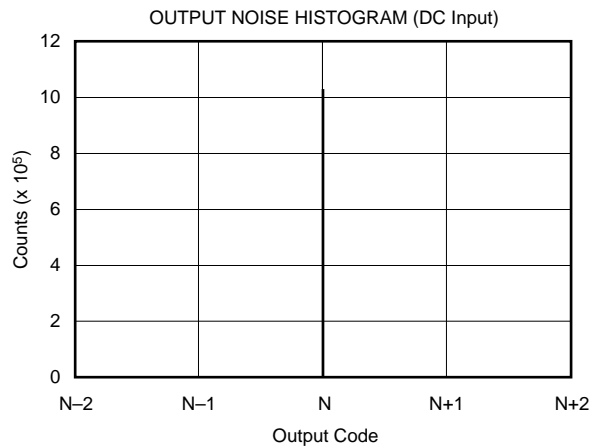
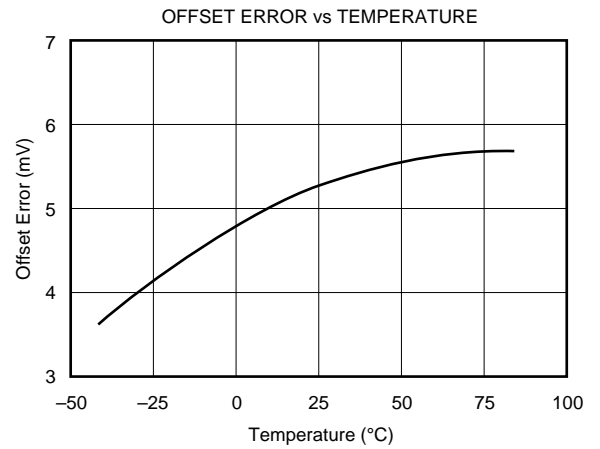
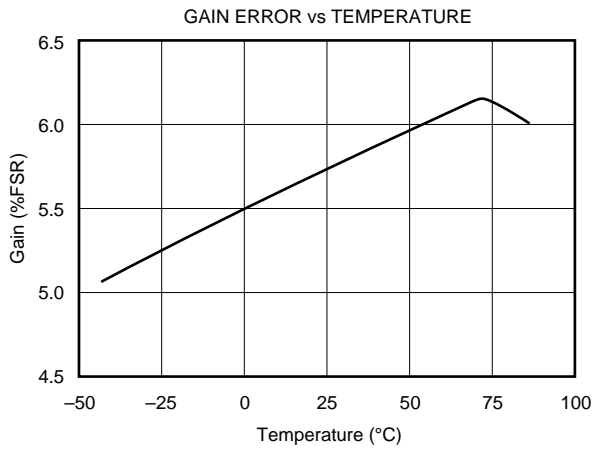
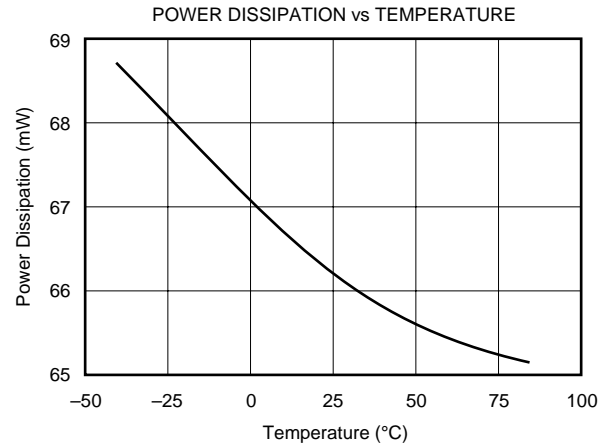
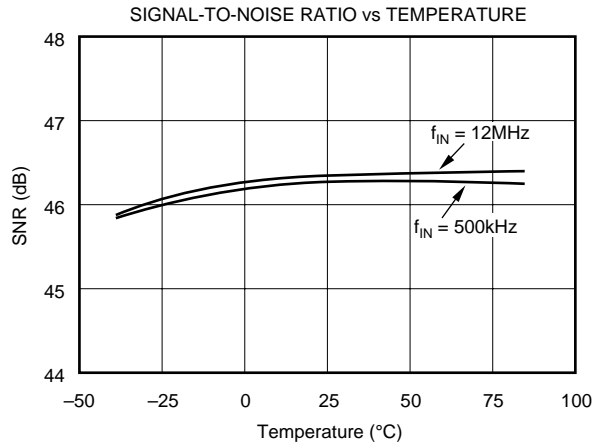
TYPICAL CHARACTERISTICS (Cont.)

At $T_A = +25^\circ\text{C}$, $V_S = +3\text{V}$, Single-ended Input and Sampling Rate = 30MHz, unless otherwise specified.



TYPICAL CHARACTERISTICS (Cont.)

At $T_A = +25^\circ\text{C}$, $V_S = +3\text{V}$, Single-ended Input and Sampling Rate = 30MHz, unless otherwise specified.



THEORY OF OPERATION

The ADS930 is a high speed sampling ADC that utilizes a pipeline architecture. The fully differential topology and digital error correction guarantee 8-bit resolution. The track/hold circuit is shown in Figure 1. The switches are controlled by an internal clock which has a non-overlapping two phase signal, $\phi 1$ and $\phi 2$. At the sampling time the input signal is sampled on the bottom plates of the input capacitors. In the next clock phase, $\phi 2$, the bottom plates of the input capacitors are connected together and the feedback capacitors are switched to the op amp output. At this time the charge redistributes between C_I and C_H , completing one track/hold cycle. The differential output is a held DC representation of the analog input at the sample time. In the normal mode of operation, the complementary input is tied to the common-mode voltage. In this case, the track/hold circuit converts a single-ended input signal into a fully differential signal for the quantizer. Consequently, the input signal gets amplified by a gain or two, which improves the signal-to-noise performance. Other parameters such as small-signal and full-power bandwidth, and wideband noise are also defined in this stage.

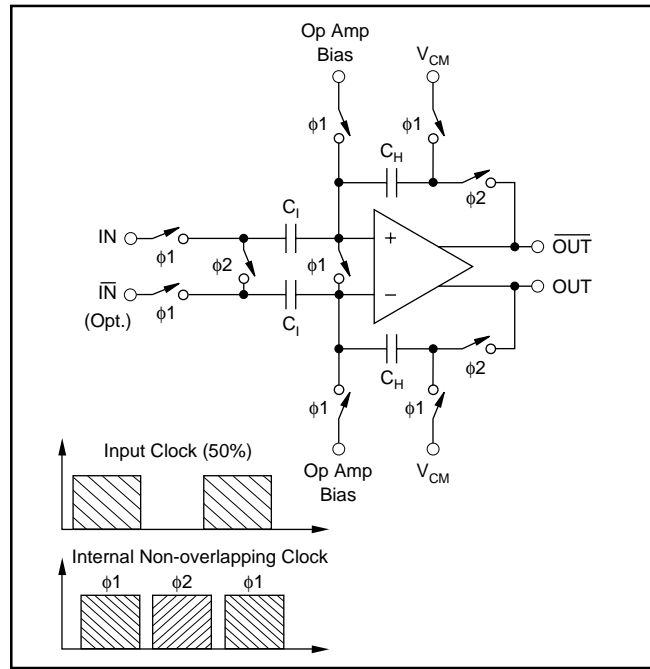


FIGURE 1. Input Track/Hold Configuration with Timing Signals.

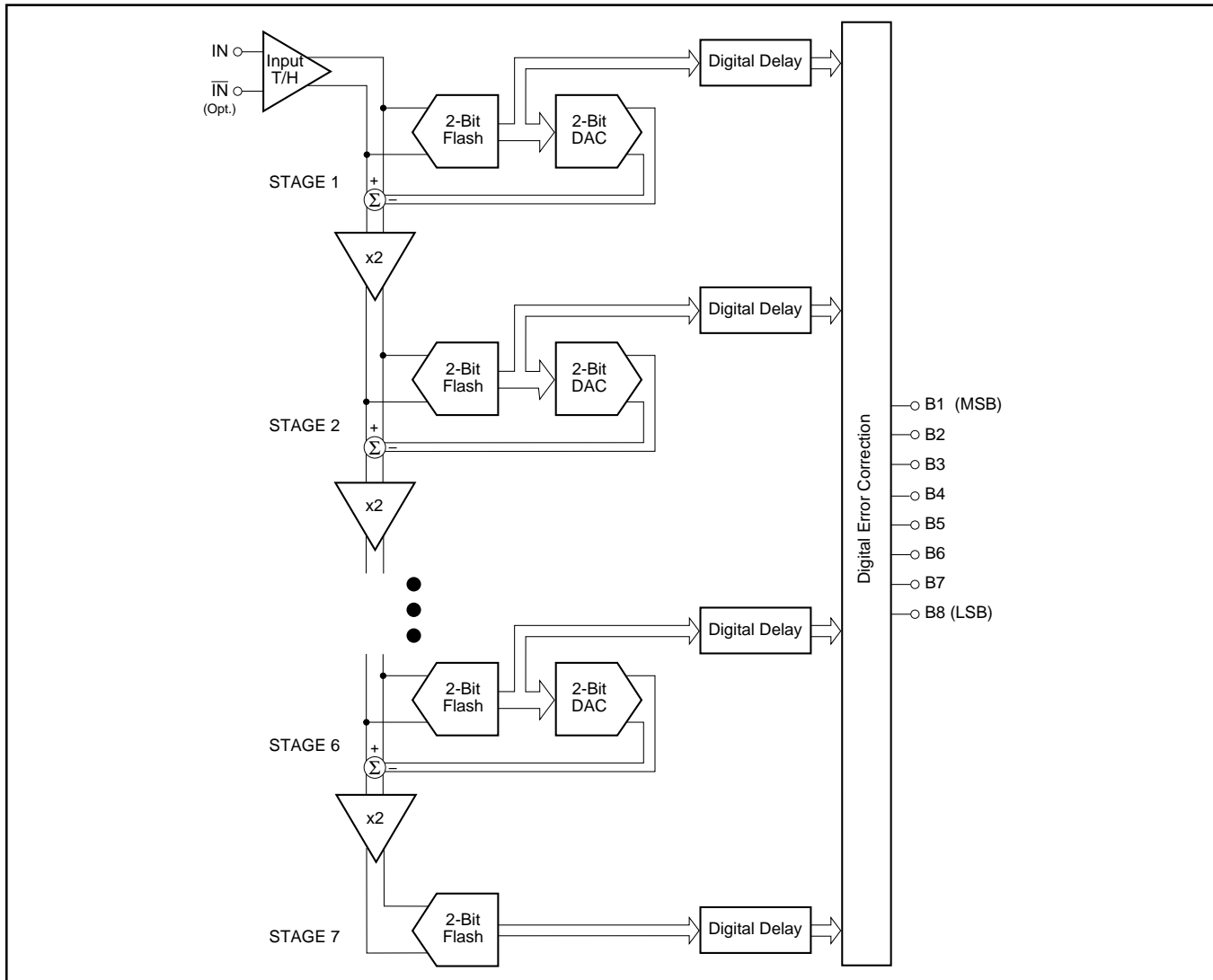


FIGURE 2. Pipeline ADC Architecture.

The pipelined quantizer architecture has 7 stages with each stage containing a two-bit quantizer and a two bit Digital-to-Analog Converter (DAC), as shown in Figure 2. Each two-bit quantizer stage converts on the edge of the sub-clock, which is the same frequency of the externally applied clock. The output of each quantizer is fed into its own delay line to time-align it with the data created from the subsequent quantizer stages. This aligned data is fed into a digital error correction circuit which can adjust the output data based on the information found on the redundant bits. This technique provides the ADS930 with excellent differential linearity and guarantees no missing codes at the 8-bit level.

The ADS930 includes an internal reference circuit that provides the bias voltages for the internal stages (for details see “Internal Reference”). A midpoint voltage is established by the built-in resistor ladder which is made available at pin 26 “CM”. This voltage can be used to bias the inputs up to the recommended common-mode voltage or to level shift the input driving circuitry. The ADS930 can be used in both a single-ended or differential input configuration. When operated in single-ended mode, the reference midpoint (pin 26) should be tied to the inverting input, pin 24.

To accommodate a bipolar signal swing, the ADS930 operates with a common-mode voltage (V_{CM}) which is derived from the internal references. Due to the symmetric resistor ladder inside the ADS930, V_{CM} is situated between the top and bottom reference voltage. The following equation can be used for calculating the common-mode voltage level:

$$V_{CM} = (REFT + REFB)/2 \quad (1)$$

APPLICATIONS

DRIVING THE ANALOG INPUTS

Figure 3 shows an example of an ac-coupled, single-ended interface circuit using high-speed op amps which operate on dual supplies (OPA650, OPA658). The mid-point reference voltage, (V_{CM}), biases the bipolar, ground-referenced input

signal. The capacitor C_1 and resistor R_1 form a high-pass filter with the -3dB frequency set at

$$f_{-3\text{dB}} = 1/(2 \pi R_1 C_1) \quad (2)$$

The values for C_1 and R_1 are not critical in most applications and can be set freely. The values shown in Figure 3 correspond to a corner frequency of 1.6kHz.

Figure 4 depicts a circuit that can be used in single-supply applications. The mid-reference biases the op amp up to the appropriate common-mode voltage, for example $V_{CM} = +1.5\text{V}$. With the use of capacitor C_G , the DC gain for the non-inverting op amp input is set to $+1\text{V/V}$. As a result, the transfer function is modified to

$$V_{OUT} = V_{IN} \{(1 + R_F/R_G) + V_{CM}\} \quad (3)$$

Again, the input coupling capacitor C_1 and resistor R_1 form a high-pass filter. At the same time, the input impedance is defined by R_1 . Resistor R_S isolates the op amp’s output from the capacitive load to avoid gain peaking or even oscillation. It can also be used to establish a defined bandwidth to reduce the wideband noise. Its value is usually between 10Ω and 100Ω .

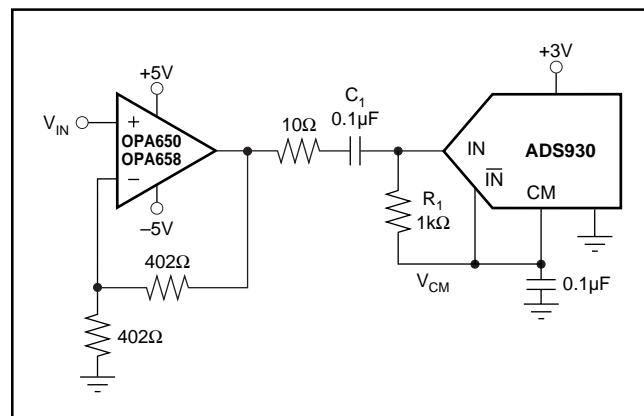


FIGURE 3. AC-Coupled Driver.

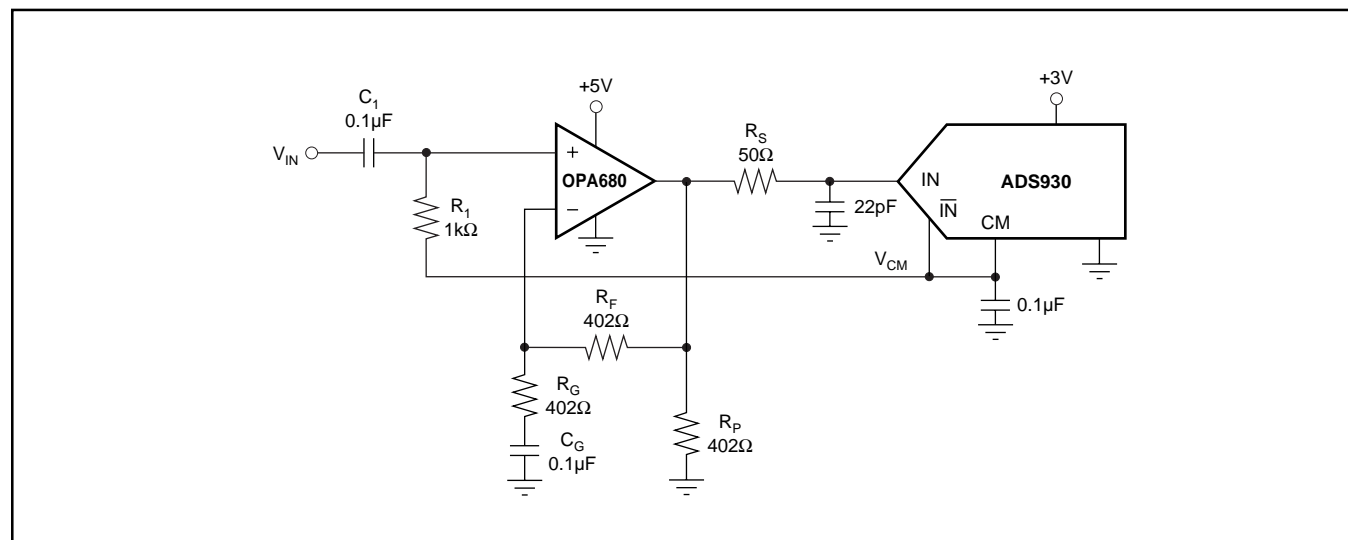


FIGURE 4. Interface Circuit Example Using the Voltage Feedback Amplifier OPA680.

DC-COUPLED INTERFACE CIRCUIT

Figure 5 illustrates an example of a DC-coupled interface circuit using one high-speed op amp to level-shift the ground-referenced input signal. This serves to condition it for the input requirements of the ADS930. With a +3V supply the input signal swings 1Vp-p centered around a typical common-mode voltage of +1.5V. This voltage can be derived from the internal bottom reference (REFB) and then fed back through a resistor divider (R_1 , R_2) to level-shift the driving op amp (A_1). A capacitor across R_2 will shunt most of the wideband noise to ground. Depending on the configured gain, the values of resistors R_1 and R_2 must be adjusted since the offsetting voltage (V_{OS}) is amplified by the non-inverting gain, $1 + (R_F/R_{IN})$. This example assumes the sum of R_1 and R_2 to be $5k\Omega$, drawing only $250\mu A$ from the bottom reference. Considerations for the selection of a proper op amp should include its output swing, input common-mode range, and bias current. This circuit can easily be modified for a +5V operation of the ADC, requiring a higher common-mode level (+2.5V).

INTERNAL REFERENCE

The ADS930 features an internal reference that provides fixed reference voltages for the internal stages. As shown in

Figure 6, each end of the resistor ladder (REFT and REFB) are driven by a buffer amplifier. The ladder has a nominal resistance of $4k\Omega$ ($\pm 15\%$). The two outputs of the buffers are brought out at pin 21 (LpBy) and pin 25 (LnBy), primarily to connect external bypass capacitors, typically $0.1\mu F$. They will shunt the high frequency switching noise that is fed back into the reference circuit and improve the performance. The buffers can drive limited external loads, for example level-shifting of the converter's interface circuit. However, the current draw should be limited to approximately 1mA.

Derived from the top reference of +1.75V is an additional voltage of +1.0V. Note that this voltage, available on pin 23, is not buffered and care should be taken when external loads are applied. In normal operation, this pin is left unconnected and no bypassing components are required.

CLOCK INPUT

The clock input of the ADS930 is designed to accommodate either +5V or +3V CMOS logic levels. To drive the clock input with a minimum amount of duty cycle variation and support the maximum sampling rate (30MSPS), high speed or advanced CMOS logic should be used (HC/HCT, AC/ACT). When digitizing at high sampling rates, a 50% duty cycle, along with fast rise and fall times (2ns or less),

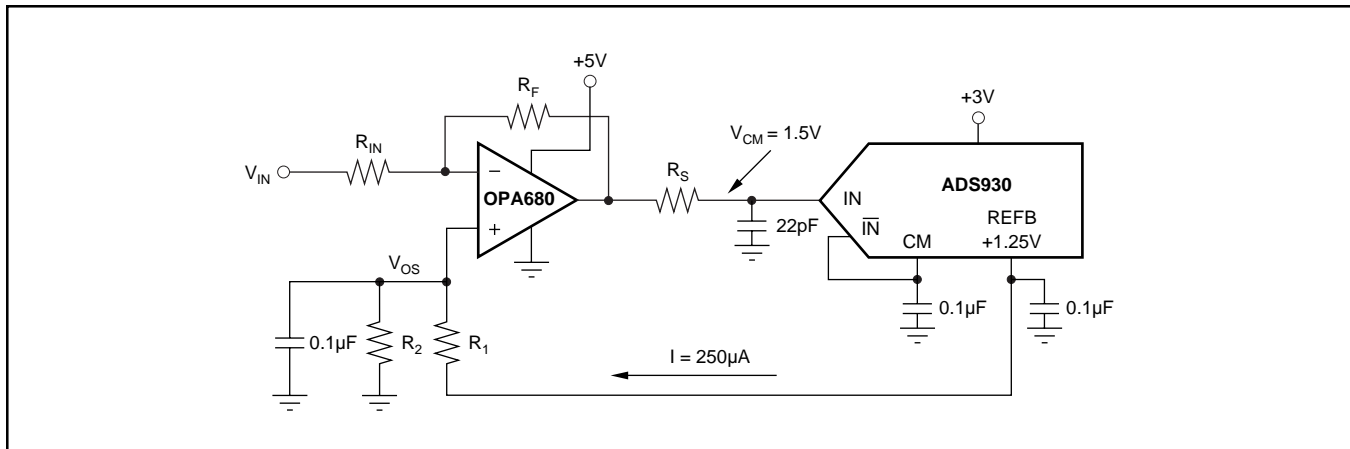


FIGURE 5. Single-supply, DC-coupled Interface Circuit.

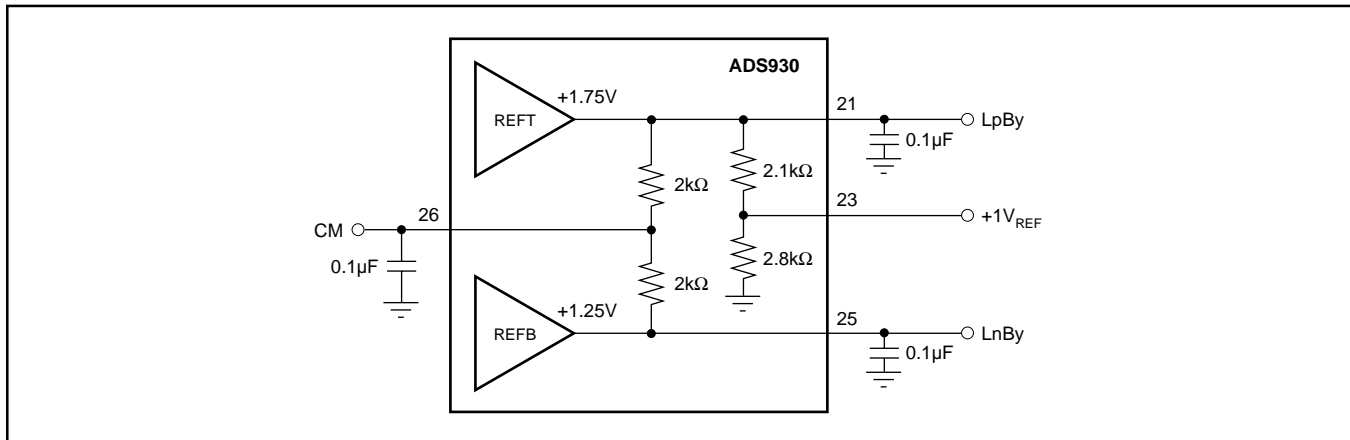


FIGURE 6. Internal Reference Structure and Recommended Reference Bypassing.

are recommended to meet the rated performance specifications. However, the ADS930 performance is tolerant to duty cycle variations of as much as $\pm 10\%$, which should not affect the performance. For applications operating with input frequencies up to Nyquist ($f_{CLK}/2$) or undersampling applications, special considerations must be made to provide a clock with very low jitter. Clock jitter leads to aperture jitter (t_A) which can be the ultimate limitation in achieving good SNR performance. The following equation shows the relationship between aperture jitter, input frequency and the signal-to-noise ratio:

$$SNR = 20 \log_{10} [1/(2 \pi f_{IN} t_A)] \quad (4)$$

| SINGLE-ENDED INPUT ($\overline{IN} = 1.5V$ DC) | STRAIGHT OFFSET BINARY (SOB) PIN 12 FLOATING or LO |
|--|---|
| +FS ($IN = +2V$) | 11111111 |
| +FS -1LSB | 11111111 |
| +FS -2LSB | 11111110 |
| +3/4 Full Scale | 11100000 |
| +1/2 Full Scale | 11000000 |
| +1/4 Full Scale | 10100000 |
| +1LSB | 10000001 |
| Bipolar Zero ($IN +1.5V$) | 10000000 |
| -1LSB | 01111111 |
| -1/4 Full Scale | 01100000 |
| -1/2 Full Scale | 01000000 |
| -3/4 Full Scale | 00100000 |
| -FS +1LSB | 00000001 |
| -FS ($IN = +1V$) | 00000000 |

TABLE I. Coding Table for the ADS930.

DIGITAL OUTPUTS

There is a 5.0 clock cycle data latency from the start convert signal to the valid output data. The standard output coding is Straight Offset Binary where a full scale input signal corresponds to all “1”s at the output. The digital outputs of the ADS930 can be set to a high impedance state by driving the \overline{OE} (pin 16) with a logic “HI”. Normal operation is achieved with pin 16 “LO” or Floating due to internal pull-down resistors. This function is provided for testability purposes but is not recommended to be used dynamically.

The digital outputs of the ADS930 are standard CMOS stages and designed to be compatible to both high speed TTL and CMOS logic families. The logic thresholds are for low-voltage CMOS: $V_{OL} = 0.4V$, $V_{OH} = 2.4V$, which allows the ADS930 to directly interface to 3V-logic. The digital output driver of the ADS930 uses a dedicated digital supply pin (pin 2, LV_{DD}) see Figure 7. By adjusting the voltage on

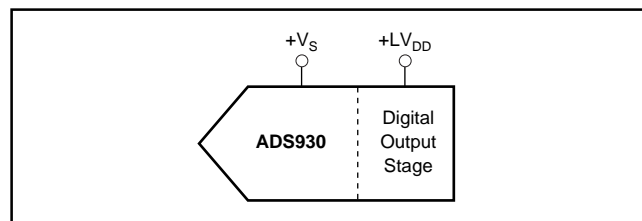


FIGURE 7. Independent Supply Connection for Output Stage.

LV_{DD} , the digital output levels will vary respectively. It is recommended to limit the fan-out to one in order to keep the capacitive loading on the data lines below the specified 15pF. If necessary, external buffers or latches may be used to provide the added benefit of isolating the ADC from any digital activities on the bus coupling back high frequency noise which degrades the performance.

POWER-DOWN MODE

The ADS930's low power consumption can be reduced even further by initiating a power-down mode. For this, the Power Down Pin (Pin 17) must be tied to a logic “High” reducing the current drawn from the supply by approximately 70%. In normal operation, the power-down mode is disabled by an internal pull-down resistor (50k Ω).

During power-down, the digital outputs are set in 3-state. With the clock applied, the converter does not accurately process the sampled signal. After removing the power-down condition, the output data from the following 5 clock cycles is invalid (data latency).

DECOUPLING AND GROUNDING CONSIDERATIONS

The ADS930 has several supply pins, one of which is dedicated to supply only the output driver (LV_{DD}). The remaining supply pins are not divided into analog and digital supply pins since they are internally connected on the chip. For this reason, it is recommended that the converter be treated as an analog component and to power it from the analog supply only. Digital supply lines often carry high levels of noise which can couple back into the converter and limit performance.

Because of the pipeline architecture, the converter also generates high frequency transients and noise that are fed back into the supply and reference lines. This requires that the supply and reference pins be sufficiently bypassed. Figure 8 shows the recommended decoupling scheme for the analog supplies. In most cases 0.1 μ F ceramic chip capacitors are adequate to keep the impedance low over a wide frequency range. Their effectiveness largely depends on the proximity to the individual supply pin. Therefore, they should be located as close as possible to the supply pins.

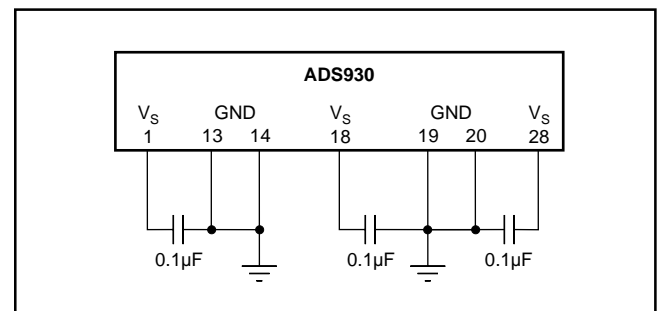


FIGURE 8. Recommended Bypassing for Analog Supply Pins.

PACKAGING INFORMATION

| Orderable Device | Status ⁽¹⁾ | Package Type | Package Drawing | Pins | Package Qty | Eco Plan ⁽²⁾ | Lead/Ball Finish | MSL Peak Temp ⁽³⁾ |
|------------------|-----------------------|--------------|-----------------|------|-------------|-------------------------|------------------|------------------------------|
| ADS930E | ACTIVE | SSOP | DB | 28 | 50 | Green (RoHS & no Sb/Br) | CU NIPDAU | Level-2-260C-1 YEAR |
| ADS930E/1K | ACTIVE | SSOP | DB | 28 | 1000 | Green (RoHS & no Sb/Br) | CU NIPDAU | Level-2-260C-1 YEAR |
| ADS930E/1KG4 | ACTIVE | SSOP | DB | 28 | 1000 | Green (RoHS & no Sb/Br) | CU NIPDAU | Level-2-260C-1 YEAR |
| ADS930EG4 | ACTIVE | SSOP | DB | 28 | 50 | Green (RoHS & no Sb/Br) | CU NIPDAU | Level-2-260C-1 YEAR |

⁽¹⁾ The marketing status values are defined as follows:

ACTIVE: Product device recommended for new designs.

LIFEBUY: TI has announced that the device will be discontinued, and a lifetime-buy period is in effect.

NRND: Not recommended for new designs. Device is in production to support existing customers, but TI does not recommend using this part in a new design.

PREVIEW: Device has been announced but is not in production. Samples may or may not be available.

OBSOLETE: TI has discontinued the production of the device.

⁽²⁾ Eco Plan - The planned eco-friendly classification: Pb-Free (RoHS), Pb-Free (RoHS Exempt), or Green (RoHS & no Sb/Br) - please check <http://www.ti.com/productcontent> for the latest availability information and additional product content details.

TBD: The Pb-Free/Green conversion plan has not been defined.

Pb-Free (RoHS): TI's terms "Lead-Free" or "Pb-Free" mean semiconductor products that are compatible with the current RoHS requirements for all 6 substances, including the requirement that lead not exceed 0.1% by weight in homogeneous materials. Where designed to be soldered at high temperatures, TI Pb-Free products are suitable for use in specified lead-free processes.

Pb-Free (RoHS Exempt): This component has a RoHS exemption for either 1) lead-based flip-chip solder bumps used between the die and package, or 2) lead-based die adhesive used between the die and leadframe. The component is otherwise considered Pb-Free (RoHS compatible) as defined above.

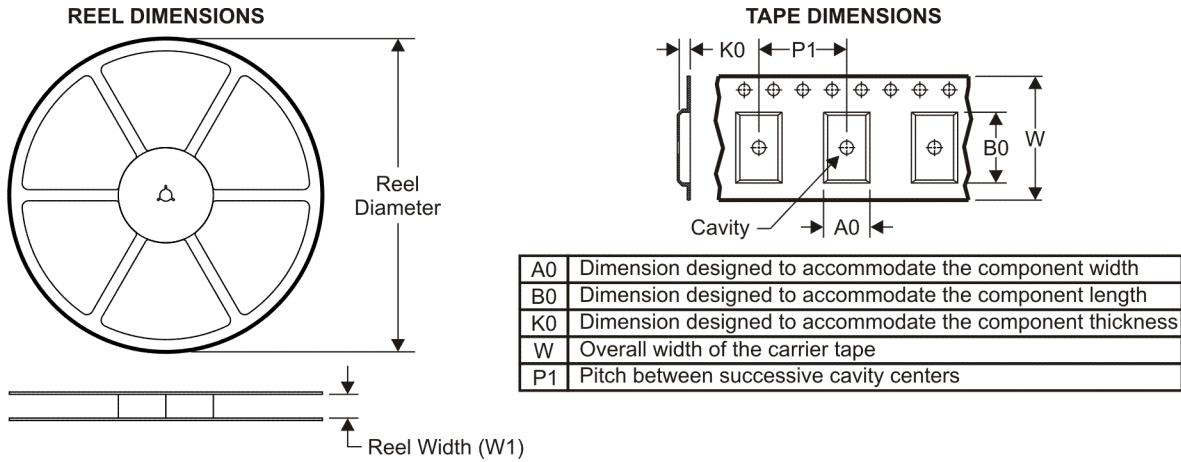
Green (RoHS & no Sb/Br): TI defines "Green" to mean Pb-Free (RoHS compatible), and free of Bromine (Br) and Antimony (Sb) based flame retardants (Br or Sb do not exceed 0.1% by weight in homogeneous material)

⁽³⁾ MSL, Peak Temp. -- The Moisture Sensitivity Level rating according to the JEDEC industry standard classifications, and peak solder temperature.

Important Information and Disclaimer:The information provided on this page represents TI's knowledge and belief as of the date that it is provided. TI bases its knowledge and belief on information provided by third parties, and makes no representation or warranty as to the accuracy of such information. Efforts are underway to better integrate information from third parties. TI has taken and continues to take reasonable steps to provide representative and accurate information but may not have conducted destructive testing or chemical analysis on incoming materials and chemicals. TI and TI suppliers consider certain information to be proprietary, and thus CAS numbers and other limited information may not be available for release.

In no event shall TI's liability arising out of such information exceed the total purchase price of the TI part(s) at issue in this document sold by TI to Customer on an annual basis.

TAPE AND REEL INFORMATION



QUADRANT ASSIGNMENTS FOR PIN 1 ORIENTATION IN TAPE



*All dimensions are nominal

| Device | Package Type | Package Drawing | Pins | SPQ | Reel Diameter (mm) | Reel Width W1 (mm) | A0 (mm) | B0 (mm) | K0 (mm) | P1 (mm) | W (mm) | Pin1 Quadrant |
|------------|--------------|-----------------|------|------|--------------------|--------------------|---------|---------|---------|---------|--------|---------------|
| ADS930E/1K | SSOP | DB | 28 | 1000 | 330.0 | 16.4 | 8.2 | 10.5 | 2.5 | 12.0 | 16.0 | Q1 |

TAPE AND REEL BOX DIMENSIONS



*All dimensions are nominal

| Device | Package Type | Package Drawing | Pins | SPQ | Length (mm) | Width (mm) | Height (mm) |
|------------|--------------|-----------------|------|------|-------------|------------|-------------|
| ADS930E/1K | SSOP | DB | 28 | 1000 | 346.0 | 346.0 | 33.0 |

IMPORTANT NOTICE

Texas Instruments Incorporated and its subsidiaries (TI) reserve the right to make corrections, modifications, enhancements, improvements, and other changes to its products and services at any time and to discontinue any product or service without notice. Customers should obtain the latest relevant information before placing orders and should verify that such information is current and complete. All products are sold subject to TI's terms and conditions of sale supplied at the time of order acknowledgment.

TI warrants performance of its hardware products to the specifications applicable at the time of sale in accordance with TI's standard warranty. Testing and other quality control techniques are used to the extent TI deems necessary to support this warranty. Except where mandated by government requirements, testing of all parameters of each product is not necessarily performed.

TI assumes no liability for applications assistance or customer product design. Customers are responsible for their products and applications using TI components. To minimize the risks associated with customer products and applications, customers should provide adequate design and operating safeguards.

TI does not warrant or represent that any license, either express or implied, is granted under any TI patent right, copyright, mask work right, or other TI intellectual property right relating to any combination, machine, or process in which TI products or services are used. Information published by TI regarding third-party products or services does not constitute a license from TI to use such products or services or a warranty or endorsement thereof. Use of such information may require a license from a third party under the patents or other intellectual property of the third party, or a license from TI under the patents or other intellectual property of TI.

Reproduction of TI information in TI data books or data sheets is permissible only if reproduction is without alteration and is accompanied by all associated warranties, conditions, limitations, and notices. Reproduction of this information with alteration is an unfair and deceptive business practice. TI is not responsible or liable for such altered documentation. Information of third parties may be subject to additional restrictions.

Resale of TI products or services with statements different from or beyond the parameters stated by TI for that product or service voids all express and any implied warranties for the associated TI product or service and is an unfair and deceptive business practice. TI is not responsible or liable for any such statements.

TI products are not authorized for use in safety-critical applications (such as life support) where a failure of the TI product would reasonably be expected to cause severe personal injury or death, unless officers of the parties have executed an agreement specifically governing such use. Buyers represent that they have all necessary expertise in the safety and regulatory ramifications of their applications, and acknowledge and agree that they are solely responsible for all legal, regulatory and safety-related requirements concerning their products and any use of TI products in such safety-critical applications, notwithstanding any applications-related information or support that may be provided by TI. Further, Buyers must fully indemnify TI and its representatives against any damages arising out of the use of TI products in such safety-critical applications.

TI products are neither designed nor intended for use in military/aerospace applications or environments unless the TI products are specifically designated by TI as military-grade or "enhanced plastic." Only products designated by TI as military-grade meet military specifications. Buyers acknowledge and agree that any such use of TI products which TI has not designated as military-grade is solely at the Buyer's risk, and that they are solely responsible for compliance with all legal and regulatory requirements in connection with such use.

TI products are neither designed nor intended for use in automotive applications or environments unless the specific TI products are designated by TI as compliant with ISO/TS 16949 requirements. Buyers acknowledge and agree that, if they use any non-designated products in automotive applications, TI will not be responsible for any failure to meet such requirements.

Following are URLs where you can obtain information on other Texas Instruments products and application solutions:

Products

| | |
|-----------------------------|--|
| Amplifiers | amplifier.ti.com |
| Data Converters | dataconverter.ti.com |
| DSP | dsp.ti.com |
| Clocks and Timers | www.ti.com/clocks |
| Interface | interface.ti.com |
| Logic | logic.ti.com |
| Power Mgmt | power.ti.com |
| Microcontrollers | microcontroller.ti.com |
| RFID | www.ti-rfid.com |
| RF/IF and ZigBee® Solutions | www.ti.com/lprf |

Applications

| | |
|--------------------|--|
| Audio | www.ti.com/audio |
| Automotive | www.ti.com/automotive |
| Broadband | www.ti.com/broadband |
| Digital Control | www.ti.com/digitalcontrol |
| Medical | www.ti.com/medical |
| Military | www.ti.com/military |
| Optical Networking | www.ti.com/opticalnetwork |
| Security | www.ti.com/security |
| Telephony | www.ti.com/telephony |
| Video & Imaging | www.ti.com/video |
| Wireless | www.ti.com/wireless |

Mailing Address: Texas Instruments, Post Office Box 655303, Dallas, Texas 75265
Copyright © 2008, Texas Instruments Incorporated

Looking for pricing, stock, or lifecycle information?

Click below to explore more details on WIN SOURCE:

 [View ADS930E](#) on WIN SOURCE

 [Texas Instruments](#) Information

Optimize Your Supply Chain with WIN SOURCE Solutions

-  Global Sourcing Solution
-  Obsolete Management
-  Cost Control Management
-  Shortage Management
-  Alternative Solution
-  Excess Inventory Management