



# Secondary Side Average Current Mode Controller

## FEATURES

- Practical Secondary Side Control of Isolated Power Supplies
- Provides a Self Regulating Bias Supply From a High Input Voltage Using an External N-Channel Depletion Mode FET
- Onboard Precision, Fixed Gain, Differential Current Sense Amplifier
- Wide Bandwidth Current Error Amplifier
- 5V Reference
- High Current, Programmable Gm Amplifier Optimized to Drive Opto-couplers

## DESCRIPTION

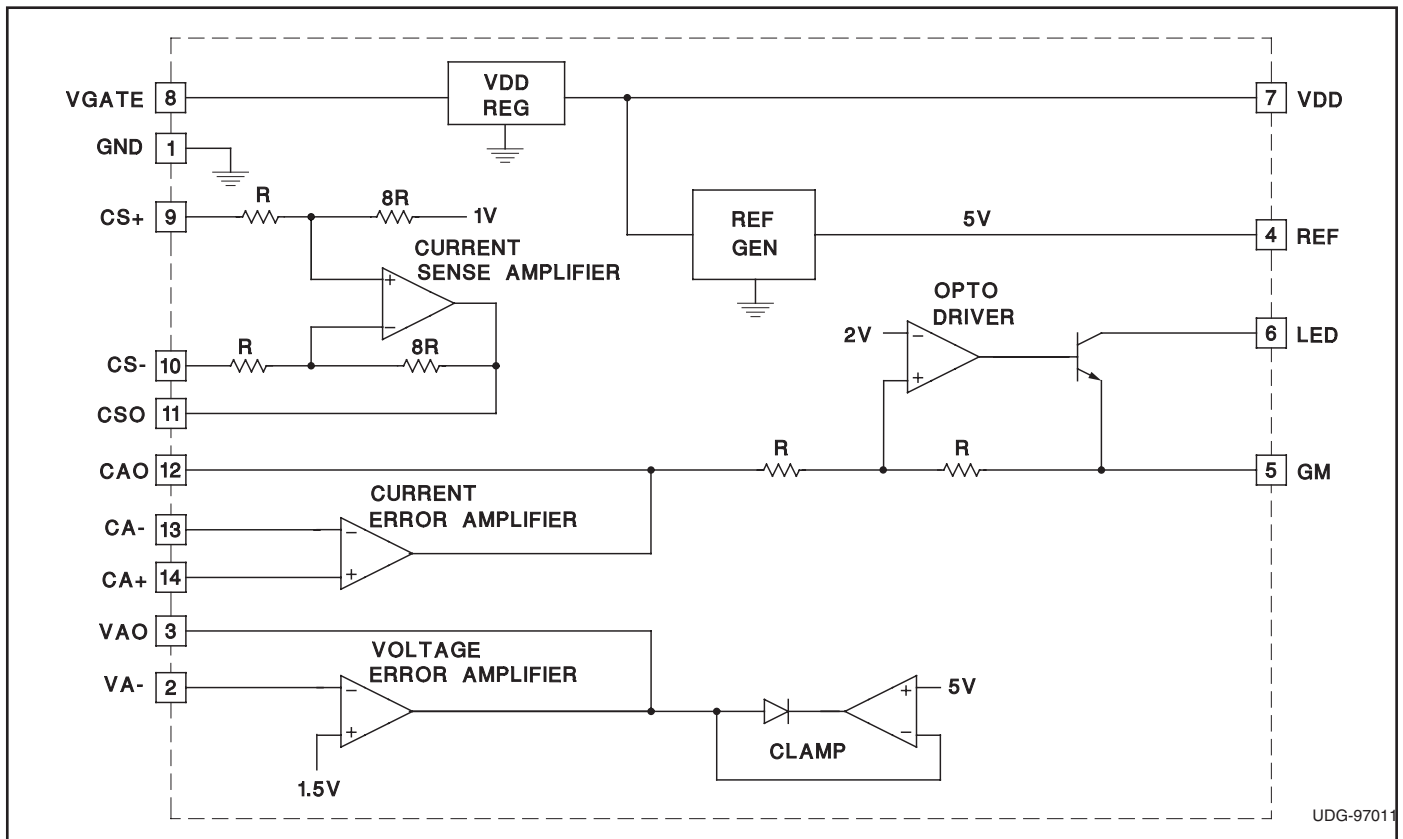
The UCC3839 provides the control functions for secondary side average current mode control in isolated power supplies. Start up, pulse width modulation and MOSFET drive must be accomplished independently on the primary side. Communication from secondary to primary side is anticipated through an opto-isolator.

Accordingly, the UCC3839 contains a fixed gain current sense amplifier, voltage and current error amplifiers, and a Gm type buffer/driver amplifier for the opto-isolator. Additional housekeeping functions include a precision 5V reference and a bias supply regulator.

Power for the UCC3839 can be generated by peak rectifying the voltage of the secondary winding of the isolation transformer. From this unregulated voltage, the UCC3839's bias supply regulator will generate its own 7.5V bias supply using an external, N-channel, depletion mode FET.

The UCC3839 can be configured for traditional average current mode control where the output of the voltage error amplifier commands the current error amplifier. It can also be configured for output voltage regulation with average current mode short circuit current limiting, employing two parallel control loops regulating the output voltage and output current independently.

## BLOCK DIAGRAM



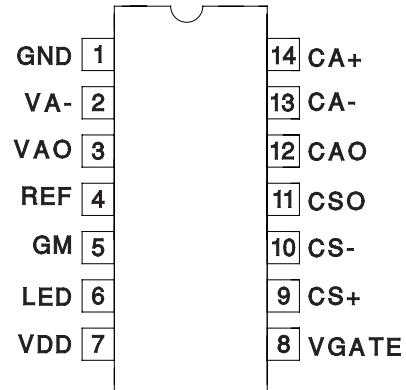
### ABSOLUTE MAXIMUM RATINGS

Supply Voltage	15V
Supply Current	
(LED not connected)	2mA
(LED connected)	14mA
Analog Inputs	-0.3V to 15V
Power Dissipation at TA = 60°C	
(LED not connected)	20mW
(LED connected)	55mW
Storage Temperature	-65°C to +150°C
Junction Temperature	-55°C to +150°C
Lead Temperature (Soldering, 10sec.)	+300°C

Currents are positive into, negative out of the specified terminal.  
Consult Packaging Section of Databook for thermal limitations and considerations of package.

### CONNECTION DIAGRAMS

DIL-14, SOIC-14 (Top View)  
D or N Package



**ELECTRICAL CHARACTERISTICS:** Unless otherwise specified, 0°C to 70°C for the UCC3839, -40°C to 85° for the UCC2839. V<sub>LINE</sub> = 10V, R<sub>G</sub> = 400Ω. T<sub>A</sub> = T<sub>J</sub>.

PARAMETER	TEST CONDITIONS	MIN	TYP	MAX	UNITS
<b>Current Error Amplifier</b>					
V <sub>IO</sub>				10	mV
AVOL		60			dB
CMRR	V <sub>CM</sub> = 0.5V to 5.5V	60			dB
PSRR	V <sub>LINE</sub> = 10V to 20V	60			dB
CAO High	CA- = 1V, CA+ = 1.1V, I <sub>CAO</sub> = -100μA	4.8		7	V
I <sub>CAO</sub>	CA- = 1V, CA+ = 1.1V, CAO = 0.5V	-500		-250	μA
CAO Low	CA- = 1V, CA+ = 0.9V, I <sub>CAO</sub> = 500μA		0.2	0.4	V
GBW	F = 100kHz, T <sub>A</sub> = 25°C	3	5		MHz
<b>Voltage Error Amplifier</b>					
VA-		1.46	1.5	1.525	V
AVOL		60			dB
PSRR	V <sub>LINE</sub> = 10V to 20V	60			dB
VAO High	I <sub>VAO</sub> = -100μA to 100μA	4.8	5	5.2	V
I <sub>VAO</sub>	VA- = 1.45V, VAO = 0.5V	-500		-250	μA
VAO Low	VA- = 1.55V, VAO = 0.5V, I <sub>VAO</sub> = 500μA		0.2	0.4	V
GBW	(Note 1)	3	5		MHz
<b>Current Sense Amplifier</b>					
CSO Zero	CS+ = CS- = -0.3V to 5.5V, I <sub>CSO</sub> = -100μA to 100μA	0.85	1	1.15	V
AV	CS+ = 0, CS- = 0mV to -200mV	7.75	8	8.2	V/V
<b>Current Sense Amplifier (cont.)</b>					
Slew Rate	CS+ = 0, CS- = 0mV to -0.5V	2	4		V/μs
CSO	CS+ = -200mV, CS- = -700mV	4.75	5	5.2	V
<b>LED Driver</b>					
I <sub>LED</sub>	LED = 5.5V, CA- = 1V, CA+ = 1.1V, R <sub>G</sub> = 400		0	10	μA
	LED = 5.5V, CA- = 1V, CA+ = 0.9V, R <sub>G</sub> = 400	9	10	11	mA
G <sub>m</sub>	LED = 5.5V, CAO = 1V to 3V, R <sub>G</sub> = 400	2.25	2.5	2.75	mS
Slew Rate	CAO = 2V to 2.5V, LED = 400Ω to 5.5V, R <sub>G</sub> = 400	1	4		V/μs

**ELECTRICAL CHARACTERISTICS:** Unless otherwise specified, 0°C to 70°C for the UCC3839, –40°C to 85° for the UCC2839.  $V_{LINE} = 10V$ ,  $R_G = 400\Omega$ .  $T_A = T_J$ .

PARAMETER	TEST CONDITIONS	MIN	TYP	MAX	UNITS
<b>Precision Reference</b>					
REF	$T_J = 25^\circ C$	4.94	5	5.06	V
	$I_{REF} = 0mA$ to $1mA$ , $V_{LINE} = 10V$ to $20V$	4.9		5.1	V
VA+/REF		0.298	0.3	0.302	V/V
<b>VDD Regulator</b>					
VDD	$I_{DD} = 0mA$ to $-15mA$ , $V_{LINE} = 10V$ to $40V$	7	7.5	8	V
IVDD	$V_{LINE} = 10V$ to $40V$ , $CA- = 0V$ , $CA+ = 1V$ , $VA- = 2.9V$ , $CS+ = CS- = 0$ , $I_{REF} = 0$		1.3	2	mA

Note 1: Ensured by design. Not 100% tested in production.

## PIN DESCRIPTIONS

**CA–:** Current Error Amplifier Negative Input.

**CAO:** Current Error Amplifier Output. Output source current is limited, and output sink current is guaranteed to be greater than the VAO output source current. Current loop compensation components are generally connected to CAO and CA–.

**CA+:** Current Error Amplifier Positive Input.

**CS–:** Current Sense Amplifier Negative Input.

**CSO:** Current Sense Amplifier Output. Internally set gain  $V_{OUT}/V_{IN} = 8$   $V_{IN} = 0V$  results in  $CSO = 1V$ .

**CS+:** Current Sense Amplifier Positive Input.

**GM:** Gm (transconductance) Programming Pin. Resistor  $R_{GM} = 400\Omega$  to GND.

**GND:** Chip Ground.

**LED:** Output of LED Driver. Connect LED from VDD pin to LED.

**REF:** 5V Precision Reference Buffer Output. Minimum Decoupling Capacitance =  $0.01\mu F$

**VA–:** Voltage Error Amplifier Negative Input. Voltage Error Amplifier is internally referenced to 1.5V

**VAO:** Voltage Error Amplifier Output. In a two loop average current mode control configuration, VAO is connected to CA+ and is the current command signal. VAO is internally clamped not to exceed 5V for short circuit control. In a single loop voltage mode control configuration with a parallel average short circuit current control loop, VAO is connected directly to CAO. Output source current is limited, and output sink current is guaranteed to be greater than the CAO output source current.

**VDD:** 7.5V Regulator output. Supply for most of the chip. Minimum Decoupling Capacitance =  $0.01\mu F$

**VGATE:** External FET Gate Control Voltage.

## APPLICATION INFORMATION

Fig. 1 shows a typical secondary side average current mode controller configuration using the UCC3839. In this configuration, output voltage is sensed and regulated by the voltage error amplifier. Its output, VAO provides the reference for the current error amplifier at the CA+ pin. VAO can be connected to CA+ directly or through a resistive divider depending on the particular application requirements.

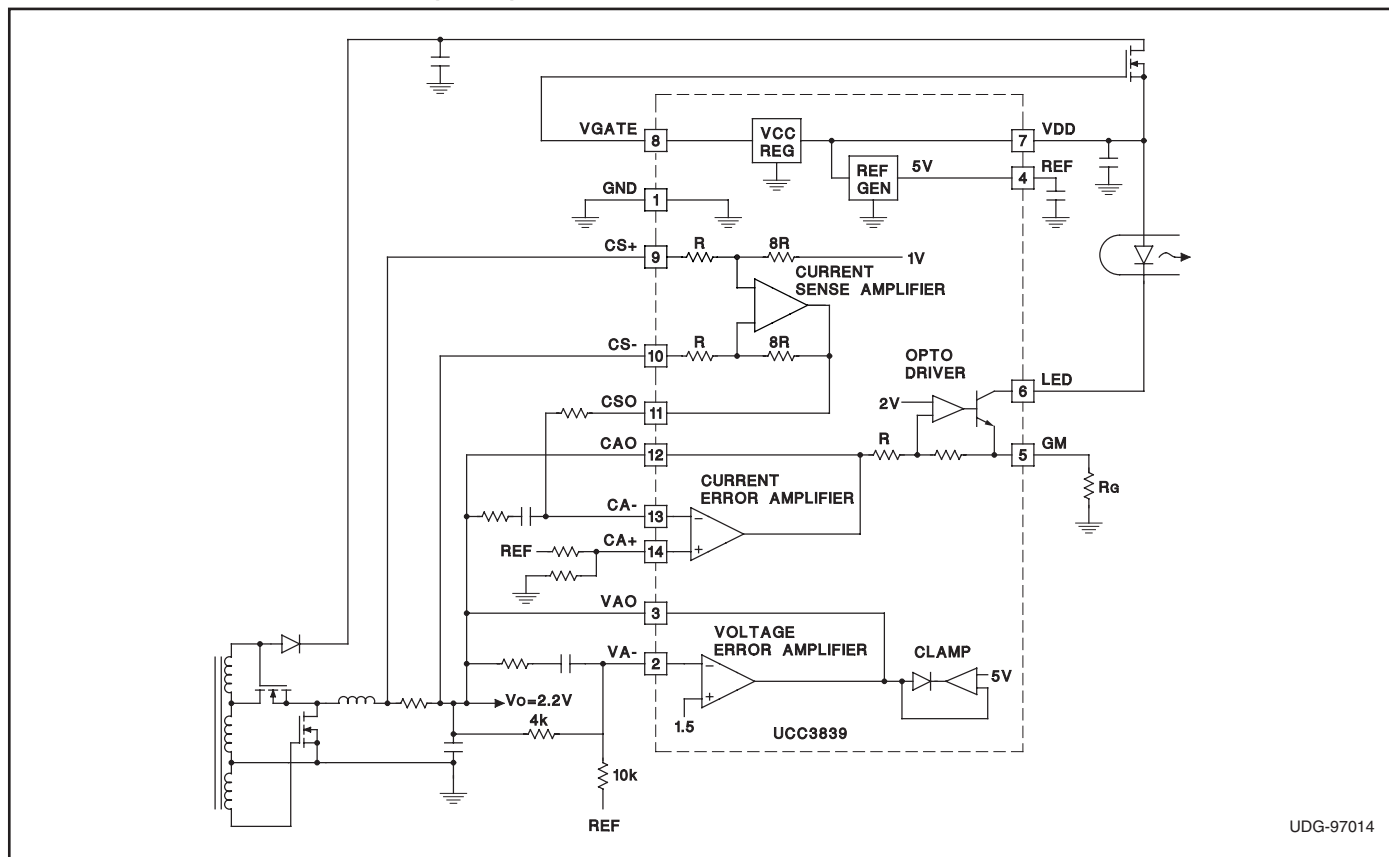
Average current mode control needs accurate output current information which is provided by a low value current sense resistor. The voltage proportional to the converter's output current is sensed and amplified by the

precision current sense amplifier of the chip. The onboard current sense amplifier has a gain of 8 and is intended for differential sensing of the shunt voltage with a common mode voltage range from 0V up to 5V. The output of the current sense amplifier, CSO is 1V for zero input which guarantees that the circuit can control currents down to 0A.

The CSO signal is fed to the CA– input of the current error amplifier through a resistor. The current error amplifier takes the VAO and CSO signals and generates the error signal for the pulse width modulator.

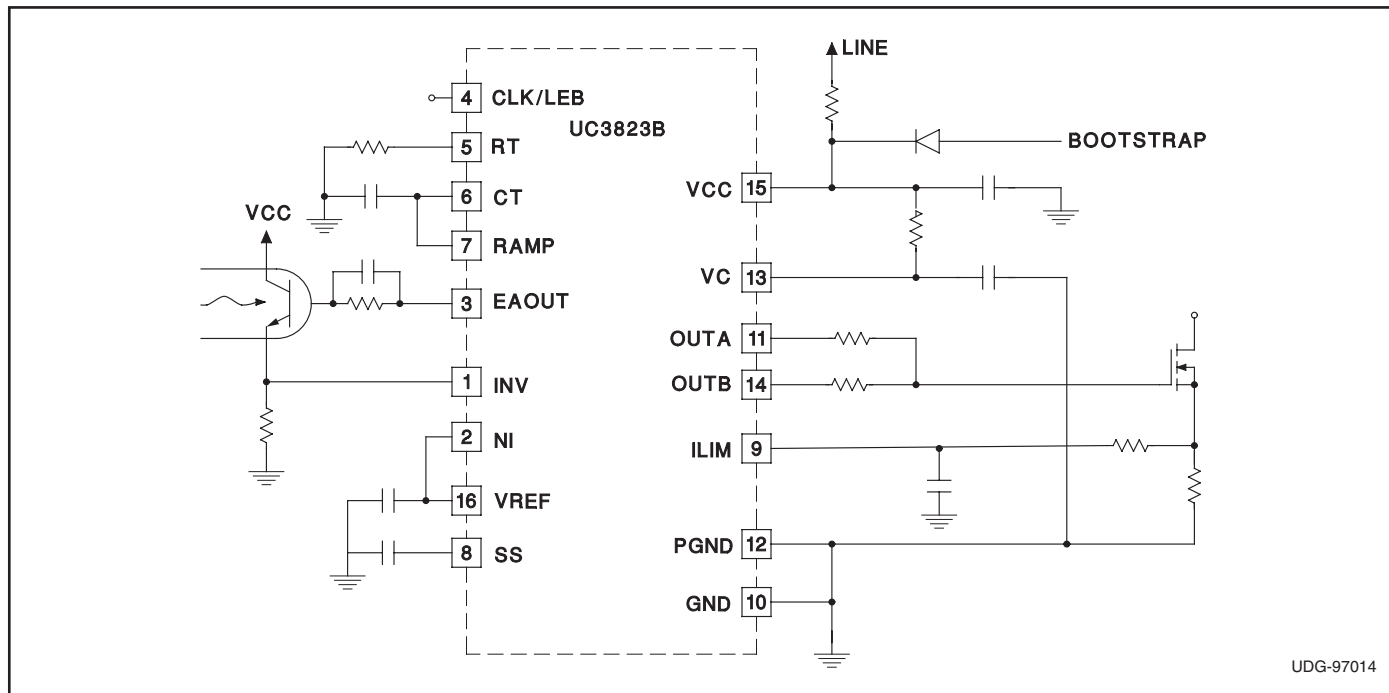


APPLICATION INFORMATION (cont.)



UDG-97014

Figure 2. Voltage mode with average current short circuit limit.



UDG-97014

Figure 3. Typical primary side circuit for use with secondary side average current mode controller.

**PACKAGING INFORMATION**

Orderable Device	Status (1)	Package Type	Package Drawing	Pins	Package Qty	Eco Plan (2)	Lead/Ball Finish	MSL Peak Temp (3)	Op Temp (°C)	Top-Side Markings (4)	Samples
UCC2839D	OBSOLETE	SOIC	D	14		TBD	Call TI	Call TI	-40 to 85	UCC2839D	
UCC2839DG4	OBSOLETE	SOIC	D	14		TBD	Call TI	Call TI	-40 to 85		
UCC3839D	OBSOLETE	SOIC	D	14		TBD	Call TI	Call TI	0 to 70		
UCC3839DG4	OBSOLETE	SOIC	D	14		TBD	Call TI	Call TI	0 to 70		

(1) The marketing status values are defined as follows:

**ACTIVE:** Product device recommended for new designs.

**LIFEBUY:** TI has announced that the device will be discontinued, and a lifetime-buy period is in effect.

**NRND:** Not recommended for new designs. Device is in production to support existing customers, but TI does not recommend using this part in a new design.

**PREVIEW:** Device has been announced but is not in production. Samples may or may not be available.

**OBSOLETE:** TI has discontinued the production of the device.

(2) Eco Plan - The planned eco-friendly classification: Pb-Free (RoHS), Pb-Free (RoHS Exempt), or Green (RoHS & no Sb/Br) - please check <http://www.ti.com/productcontent> for the latest availability information and additional product content details.

**TBD:** The Pb-Free/Green conversion plan has not been defined.

**Pb-Free (RoHS):** TI's terms "Lead-Free" or "Pb-Free" mean semiconductor products that are compatible with the current RoHS requirements for all 6 substances, including the requirement that lead not exceed 0.1% by weight in homogeneous materials. Where designed to be soldered at high temperatures, TI Pb-Free products are suitable for use in specified lead-free processes.

**Pb-Free (RoHS Exempt):** This component has a RoHS exemption for either 1) lead-based flip-chip solder bumps used between the die and package, or 2) lead-based die adhesive used between the die and leadframe. The component is otherwise considered Pb-Free (RoHS compatible) as defined above.

**Green (RoHS & no Sb/Br):** TI defines "Green" to mean Pb-Free (RoHS compatible), and free of Bromine (Br) and Antimony (Sb) based flame retardants (Br or Sb do not exceed 0.1% by weight in homogeneous material)

(3) MSL, Peak Temp. -- The Moisture Sensitivity Level rating according to the JEDEC industry standard classifications, and peak solder temperature.

(4) Multiple Top-Side Markings will be inside parentheses. Only one Top-Side Marking contained in parentheses and separated by a "~" will appear on a device. If a line is indented then it is a continuation of the previous line and the two combined represent the entire Top-Side Marking for that device.

**Important Information and Disclaimer:** The information provided on this page represents TI's knowledge and belief as of the date that it is provided. TI bases its knowledge and belief on information provided by third parties, and makes no representation or warranty as to the accuracy of such information. Efforts are underway to better integrate information from third parties. TI has taken and continues to take reasonable steps to provide representative and accurate information but may not have conducted destructive testing or chemical analysis on incoming materials and chemicals. TI and TI suppliers consider certain information to be proprietary, and thus CAS numbers and other limited information may not be available for release.

In no event shall TI's liability arising out of such information exceed the total purchase price of the TI part(s) at issue in this document sold by TI to Customer on an annual basis.

## IMPORTANT NOTICE

Texas Instruments Incorporated and its subsidiaries (TI) reserve the right to make corrections, enhancements, improvements and other changes to its semiconductor products and services per JESD46, latest issue, and to discontinue any product or service per JESD48, latest issue. Buyers should obtain the latest relevant information before placing orders and should verify that such information is current and complete. All semiconductor products (also referred to herein as "components") are sold subject to TI's terms and conditions of sale supplied at the time of order acknowledgment.

TI warrants performance of its components to the specifications applicable at the time of sale, in accordance with the warranty in TI's terms and conditions of sale of semiconductor products. Testing and other quality control techniques are used to the extent TI deems necessary to support this warranty. Except where mandated by applicable law, testing of all parameters of each component is not necessarily performed.

TI assumes no liability for applications assistance or the design of Buyers' products. Buyers are responsible for their products and applications using TI components. To minimize the risks associated with Buyers' products and applications, Buyers should provide adequate design and operating safeguards.

TI does not warrant or represent that any license, either express or implied, is granted under any patent right, copyright, mask work right, or other intellectual property right relating to any combination, machine, or process in which TI components or services are used. Information published by TI regarding third-party products or services does not constitute a license to use such products or services or a warranty or endorsement thereof. Use of such information may require a license from a third party under the patents or other intellectual property of the third party, or a license from TI under the patents or other intellectual property of TI.

Reproduction of significant portions of TI information in TI data books or data sheets is permissible only if reproduction is without alteration and is accompanied by all associated warranties, conditions, limitations, and notices. TI is not responsible or liable for such altered documentation. Information of third parties may be subject to additional restrictions.

Resale of TI components or services with statements different from or beyond the parameters stated by TI for that component or service voids all express and any implied warranties for the associated TI component or service and is an unfair and deceptive business practice. TI is not responsible or liable for any such statements.

Buyer acknowledges and agrees that it is solely responsible for compliance with all legal, regulatory and safety-related requirements concerning its products, and any use of TI components in its applications, notwithstanding any applications-related information or support that may be provided by TI. Buyer represents and agrees that it has all the necessary expertise to create and implement safeguards which anticipate dangerous consequences of failures, monitor failures and their consequences, lessen the likelihood of failures that might cause harm and take appropriate remedial actions. Buyer will fully indemnify TI and its representatives against any damages arising out of the use of any TI components in safety-critical applications.

In some cases, TI components may be promoted specifically to facilitate safety-related applications. With such components, TI's goal is to help enable customers to design and create their own end-product solutions that meet applicable functional safety standards and requirements. Nonetheless, such components are subject to these terms.

No TI components are authorized for use in FDA Class III (or similar life-critical medical equipment) unless authorized officers of the parties have executed a special agreement specifically governing such use.

Only those TI components which TI has specifically designated as military grade or "enhanced plastic" are designed and intended for use in military/aerospace applications or environments. Buyer acknowledges and agrees that any military or aerospace use of TI components which have **not** been so designated is solely at the Buyer's risk, and that Buyer is solely responsible for compliance with all legal and regulatory requirements in connection with such use.

TI has specifically designated certain components as meeting ISO/TS16949 requirements, mainly for automotive use. In any case of use of non-designated products, TI will not be responsible for any failure to meet ISO/TS16949.

### Products

Audio	<a href="http://www.ti.com/audio">www.ti.com/audio</a>
Amplifiers	<a href="http://amplifier.ti.com">amplifier.ti.com</a>
Data Converters	<a href="http://dataconverter.ti.com">dataconverter.ti.com</a>
DLP® Products	<a href="http://www.dlp.com">www.dlp.com</a>
DSP	<a href="http://dsp.ti.com">dsp.ti.com</a>
Clocks and Timers	<a href="http://www.ti.com/clocks">www.ti.com/clocks</a>
Interface	<a href="http://interface.ti.com">interface.ti.com</a>
Logic	<a href="http://logic.ti.com">logic.ti.com</a>
Power Mgmt	<a href="http://power.ti.com">power.ti.com</a>
Microcontrollers	<a href="http://microcontroller.ti.com">microcontroller.ti.com</a>
RFID	<a href="http://www.ti-rfid.com">www.ti-rfid.com</a>
OMAP Applications Processors	<a href="http://www.ti.com/omap">www.ti.com/omap</a>
Wireless Connectivity	<a href="http://www.ti.com/wirelessconnectivity">www.ti.com/wirelessconnectivity</a>

### Applications

Automotive and Transportation	<a href="http://www.ti.com/automotive">www.ti.com/automotive</a>
Communications and Telecom	<a href="http://www.ti.com/communications">www.ti.com/communications</a>
Computers and Peripherals	<a href="http://www.ti.com/computers">www.ti.com/computers</a>
Consumer Electronics	<a href="http://www.ti.com/consumer-apps">www.ti.com/consumer-apps</a>
Energy and Lighting	<a href="http://www.ti.com/energy">www.ti.com/energy</a>
Industrial	<a href="http://www.ti.com/industrial">www.ti.com/industrial</a>
Medical	<a href="http://www.ti.com/medical">www.ti.com/medical</a>
Security	<a href="http://www.ti.com/security">www.ti.com/security</a>
Space, Avionics and Defense	<a href="http://www.ti.com/space-avionics-defense">www.ti.com/space-avionics-defense</a>
Video and Imaging	<a href="http://www.ti.com/video">www.ti.com/video</a>

### TI E2E Community

[e2e.ti.com](http://e2e.ti.com)

## Looking for pricing, stock, or lifecycle information?

Click below to explore more details on WIN SOURCE:

 [View UCC3839D](#) on WIN SOURCE

 [Texas Instruments](#) Information

## Optimize Your Supply Chain with WIN SOURCE Solutions

-  Global Sourcing Solution
-  Obsolete Management
-  Cost Control Management
-  Shortage Management
-  Alternative Solution
-  Excess Inventory Management