



**THE DATASHEET OF**  
**A42MX24-2PQ208**



**DS2316**  
**Datasheet**  
**40MX and 42MX FPGA**



**Power Matters.™**

**Microsemi Corporate Headquarters**

One Enterprise, Aliso Viejo,  
CA 92656 USA

Within the USA: +1 (800) 713-4113

Outside the USA: +1 (949) 380-6100

Fax: +1 (949) 215-4996

Email: [sales.support@microsemi.com](mailto:sales.support@microsemi.com)

[www.microsemi.com](http://www.microsemi.com)

© 2017 Microsemi Corporation. All rights reserved. Microsemi and the Microsemi logo are trademarks of Microsemi Corporation. All other trademarks and service marks are the property of their respective owners.

Microsemi makes no warranty, representation, or guarantee regarding the information contained herein or the suitability of its products and services for any particular purpose, nor does Microsemi assume any liability whatsoever arising out of the application or use of any product or circuit. The products sold hereunder and any other products sold by Microsemi have been subject to limited testing and should not be used in conjunction with mission-critical equipment or applications. Any performance specifications are believed to be reliable but are not verified, and Buyer must conduct and complete all performance and other testing of the products, alone and together with, or installed in, any end-products. Buyer shall not rely on any data and performance specifications or parameters provided by Microsemi. It is the Buyer's responsibility to independently determine suitability of any products and to test and verify the same. The information provided by Microsemi hereunder is provided "as is, where is" and with all faults, and the entire risk associated with such information is entirely with the Buyer. Microsemi does not grant, explicitly or implicitly, to any party any patent rights, licenses, or any other IP rights, whether with regard to such information itself or anything described by such information. Information provided in this document is proprietary to Microsemi, and Microsemi reserves the right to make any changes to the information in this document or to any products and services at any time without notice.

**About Microsemi**

Microsemi Corporation (Nasdaq: MSCC) offers a comprehensive portfolio of semiconductor and system solutions for aerospace & defense, communications, data center and industrial markets. Products include high-performance and radiation-hardened analog mixed-signal integrated circuits, FPGAs, SoCs and ASICs; power management products; timing and synchronization devices and precise time solutions, setting the world's standard for time; voice processing devices; RF solutions; discrete components; enterprise storage and communication solutions, security technologies and scalable anti-tamper products; Ethernet solutions; Power-over-Ethernet ICs and midspans; as well as custom design capabilities and services. Microsemi is headquartered in Aliso Viejo, California, and has approximately 4,800 employees globally. Learn more at [www.microsemi.com](http://www.microsemi.com).

# Contents

<b>1</b>	<b>Revision History</b>	<b>1</b>
1.1	Revision 16.0	1
1.2	Revision 15.0	1
1.3	Revision 14.0	1
1.4	Revision 13.0	1
1.5	Revision 12.0	1
1.6	Revision 11.0	1
1.7	Revision 10.0	1
1.8	Revision 9.0	2
1.9	Revision 6.0	2
<b>2</b>	<b>40MX and 42MX FPGA Families</b>	<b>3</b>
2.1	Features	3
2.1.1	High Capacity	3
2.1.2	High Performance	3
2.1.3	HiRel Features	3
2.1.4	Ease of Integration	3
2.2	Product Profile	3
2.3	Ordering Information	5
2.4	Plastic Device Resources	6
2.5	Ceramic Device Resources	6
2.6	Temperature Grade Offerings	7
2.7	Speed Grade Offerings	7
<b>3</b>	<b>40MX and 42MX FPGAs</b>	<b>8</b>
3.1	General Description	8
3.2	MX Architectural Overview	8
3.2.1	Logic Modules	8
3.2.2	Dual-Port SRAM Modules	10
3.2.3	Routing Structure	11
3.2.4	Clock Networks	12
3.2.5	MultiPlex I/O Modules	13
3.3	Other Architectural Features	14
3.3.1	Performance	14
3.3.2	User Security	14
3.3.3	Programming	15
3.3.4	Power Supply	15
3.3.5	Power-Up/Down in Mixed-Voltage Mode	15
3.3.6	Transient Current	15
3.3.7	Low Power Mode	16
3.4	Power Dissipation	16
3.4.1	General Power Equation	16
3.4.2	Static Power Component	16
3.4.3	Active Power Component	16
3.4.4	Equivalent Capacitance	17
3.4.5	C <sub>EQ</sub> Values for Microsemi MX FPGAs	17
3.4.6	Test Circuitry and Silicon Explorer II Probe	18
3.4.7	Design Consideration	19
3.4.8	IEEE Standard 1149.1 Boundary Scan Test (BST) Circuitry	19
3.4.9	JTAG Mode Activation	21

3.4.10	TRST Pin and TAP Controller Reset	21
3.4.11	Boundary Scan Description Language (BSDL) File	21
3.5	Development Tool Support	21
3.6	Related Documents	22
3.6.1	Application Notes	22
3.6.2	User Guides and Manuals	22
3.6.3	Miscellaneous	22
3.7	5.0 V Operating Conditions	22
3.7.1	5 V TTL Electrical Specifications	23
3.8	3.3 V Operating Conditions	24
3.8.1	3.3 V LVTTTL Electrical Specifications	25
3.9	Mixed 5.0 V / 3.3 V Operating Conditions (for 42MX Devices Only)	25
3.9.1	Mixed 5.0V/3.3V Electrical Specifications	27
3.9.2	Output Drive Characteristics for 5.0 V PCI Signaling	27
3.9.3	Output Drive Characteristics for 3.3 V PCI Signaling	29
3.9.4	Junction Temperature (T <sub>J</sub> )	30
3.9.5	Package Thermal Characteristics	30
3.10	Timing Models	32
3.10.1	Parameter Measurement	34
3.10.2	Sequential Module Timing Characteristics	36
3.10.3	Sequential Timing Characteristics	36
3.10.4	Decode Module Timing	37
3.10.5	SRAM Timing Characteristics	37
3.10.6	Dual-Port SRAM Timing Waveforms	38
3.10.7	Predictable Performance: Tight Delay Distributions	39
3.11	Timing Characteristics	39
3.11.1	Critical Nets and Typical Nets	39
3.11.2	Long Tracks	40
3.11.3	Timing Derating	40
3.11.4	Temperature and Voltage Derating Factors	40
3.11.5	PCI System Timing Specification	43
3.11.6	PCI Models	43
3.12	Pin Descriptions	85
<b>4</b>	<b>Package Pin Assignments</b>	<b>88</b>

# Tables

Table 1	Product profile . . . . .	3
Table 2	Plastic Device Resources . . . . .	6
Table 3	Ceramic Device Resources . . . . .	6
Table 4	Temperature Grade Offerings . . . . .	7
Table 5	Speed Grade Offerings . . . . .	7
Table 6	Voltage Support of MX Devices . . . . .	15
Table 7	Fixed Capacitance Values for MX FPGAs (pF) . . . . .	18
Table 8	Device Configuration Options for Probe Capability . . . . .	19
Table 9	Test Access Port Descriptions . . . . .	20
Table 10	Supported BST Public Instructions . . . . .	20
Table 11	Boundary Scan Pin Configuration and Functionality . . . . .	21
Table 12	Absolute Maximum Ratings for 40MX Devices* . . . . .	22
Table 13	Absolute Maximum Ratings for 42MX Devices* . . . . .	22
Table 14	Recommended Operating Conditions . . . . .	23
Table 15	5V TTL Electrical Specifications . . . . .	23
Table 16	Absolute Maximum Ratings for 40MX Devices* . . . . .	24
Table 17	Absolute Maximum Ratings for 42MX Devices* . . . . .	24
Table 18	Recommended Operating Conditions . . . . .	24
Table 19	3.3V LVTTTL Electrical Specifications . . . . .	25
Table 20	Absolute Maximum Ratings* . . . . .	25
Table 21	Recommended Operating Conditions . . . . .	26
Table 22	Mixed 5.0V/3.3V Electrical Specifications . . . . .	27
Table 23	DC Specification (5.0 V PCI Signaling) . . . . .	27
Table 24	AC Specifications (5.0V PCI Signaling)* . . . . .	28
Table 25	DC Specification (3.3 V PCI Signaling) . . . . .	29
Table 26	AC Specifications for (3.3 V PCI Signaling)* . . . . .	29
Table 27	Package Thermal Characteristics . . . . .	31
Table 28	42MX Temperature and Voltage Derating Factors (Normalized to $T_J = 25^\circ\text{C}$ , $V_{CCA} = 5.0\text{ V}$ ) . . . . .	40
Table 29	40MX Temperature and Voltage Derating Factors(Normalized to $T_J = 25^\circ\text{C}$ , $V_{CC} = 5.0\text{ V}$ ) . . . . .	41
Table 30	42MX Temperature and Voltage Derating Factors(Normalized to $T_J = 25^\circ\text{C}$ , $V_{CCA} = 3.3\text{ V}$ ) . . . . .	41
Table 31	40MX Temperature and Voltage Derating Factors (Normalized to $T_J = 25^\circ\text{C}$ , $V_{CC} = 3.3\text{ V}$ ) . . . . .	42
Table 32	Clock Specification for 33 MHz PCI . . . . .	43
Table 33	Timing Parameters for 33 MHz PCI . . . . .	43
Table 34	A40MX02 Timing Characteristics (Nominal 5.0 V Operation) . . . . .	43
Table 35	A40MX02 Timing Characteristics (Nominal 3.3 V Operation) . . . . .	45
Table 36	A40MX04 Timing Characteristics (Nominal 5.0 V Operation) (Worst-Case Commercial Conditions, $V_{CC} = 4.75\text{ V}$ , $T_J = 70^\circ\text{C}$ ) . . . . .	48
Table 37	A40MX04 Timing Characteristics (Nominal 3.3 V Operation) (Worst-Case Commercial Conditions, $V_{CC} = 3.0\text{ V}$ , $T_J = 70^\circ\text{C}$ ) . . . . .	51
Table 38	A42MX09 Timing Characteristics (Nominal 5.0 V Operation) (Worst-Case Commercial Conditions, $V_{CCA} = 4.75\text{ V}$ , $T_J = 70^\circ\text{C}$ ) . . . . .	54
Table 39	A42MX09 Timing Characteristics (Nominal 3.3 V Operation) (Worst-Case Commercial Conditions, $V_{CCA} = 3.0\text{ V}$ , $T_J = 70^\circ\text{C}$ ) . . . . .	58
Table 40	A42MX16 Timing Characteristics (Nominal 5.0 V Operation) (Worst-Case Commercial Conditions, $V_{CCA} = 4.75\text{ V}$ , $T_J = 70^\circ\text{C}$ ) . . . . .	62
Table 41	A42MX16 Timing Characteristics (Nominal 3.3 V Operation) (Worst-Case Commercial Conditions, $V_{CCA} = 3.0\text{ V}$ , $T_J = 70^\circ\text{C}$ ) . . . . .	66
Table 42	A42MX24 Timing Characteristics (Nominal 5.0 V Operation) (Worst-Case Commercial Conditions, $V_{CCA} = 4.75\text{ V}$ , $T_J = 70^\circ\text{C}$ ) . . . . .	69
Table 43	A42MX24 Timing Characteristics (Nominal 3.3 V Operation) (Worst-Case Commercial Conditions, $V_{CCA} = 3.0\text{ V}$ , $T_J = 70^\circ\text{C}$ ) . . . . .	73
Table 44	A42MX36 Timing Characteristics (Nominal 5.0 V Operation) (Worst-Case Commercial Conditions, $V_{CCA} = 4.75\text{ V}$ , $T_J = 70^\circ\text{C}$ ) . . . . .	77
Table 45	A42MX36 Timing Characteristics (Nominal 3.3 V Operation)	

	(Worst-Case Commercial Conditions, VCCA = 3.0 V, T <sub>J</sub> = 70°C) . . . . .	81
Table 46	Configuration of Unused I/Os . . . . .	86
Table 47	PL44 . . . . .	88
Table 48	PL68 . . . . .	90
Table 49	PL84 . . . . .	92
Table 50	PQ 100 . . . . .	95
Table 51	PQ144 . . . . .	99
Table 52	PQ160 . . . . .	104
Table 53	PQ208 . . . . .	109
Table 54	PQ240 . . . . .	115
Table 55	VQ80 . . . . .	122
Table 56	VQ100 . . . . .	125
Table 57	TQ176 . . . . .	128
Table 58	CQ208 . . . . .	134
Table 59	CQ256 . . . . .	140
Table 60	BG272 . . . . .	147
Table 61	PG132 . . . . .	155
Table 62	CQ172 . . . . .	160

# Figures

Figure 1	Ordering Information	5
Figure 2	42MX C-Module Implementation	9
Figure 3	42MX C-Module Implementation	9
Figure 4	42MX S-Module Implementation	10
Figure 5	A42MX24 and A42MX36 D-Module Implementation	11
Figure 6	A42MX36 Dual-Port SRAM Block	11
Figure 7	MX Routing Structure	12
Figure 8	Clock Networks of 42MX Devices	13
Figure 9	Quadrant Clock Network of A42MX36 Devices	13
Figure 10	42MX I/O Module	14
Figure 11	PCI Output Structure of A42MX24 and A42MX36 Devices	14
Figure 12	Silicon Explorer II Setup with 40MX	18
Figure 13	Silicon Explorer II Setup with 42MX	19
Figure 14	42MX IEEE 1149.1 Boundary Scan Circuitry	20
Figure 15	Device Selection Wizard	21
Figure 16	Typical Output Drive Characteristics (Based Upon Measured Data)	30
Figure 17	40MX Timing Model*	32
Figure 18	42MX Timing Model	32
Figure 19	42MX Timing Model (Logic Functions Using Quadrant Clocks)	33
Figure 20	42MX Timing Model (SRAM Functions)	34
Figure 21	Output Buffer Delays	34
Figure 22	AC Test Loads	35
Figure 23	Input Buffer Delays	35
Figure 24	Module Delays	35
Figure 25	Flip-Flops and Latches	36
Figure 26	Input Buffer Latches	36
Figure 27	Output Buffer Latches	37
Figure 28	Decode Module Timing	37
Figure 29	SRAM Timing Characteristics	37
Figure 30	42MX SRAM Write Operation	38
Figure 31	42MX SRAM Synchronous Read Operation	38
Figure 32	42MX SRAM Asynchronous Read Operation—Type 1 (Read Address Controlled)	38
Figure 33	42MX SRAM Asynchronous Read Operation—Type 2 (Write Address Controlled)	39
Figure 34	42MX Junction Temperature and Voltage Derating Curves (Normalized to $T_J = 25^\circ\text{C}$ , $V_{CCA} = 5.0\text{ V}$ )	40
Figure 35	40MX Junction Temperature and Voltage Derating Curves (Normalized to $T_J = 25^\circ\text{C}$ , $V_{CC} = 5.0\text{ V}$ )	41
Figure 36	42MX Junction Temperature and Voltage Derating Curves (Normalized to $T_J = 25^\circ\text{C}$ , $V_{CCA} = 3.3\text{ V}$ )	42
Figure 37	40MX Junction Temperature and Voltage Derating Curves (Normalized to $T_J = 25^\circ\text{C}$ , $V_{CC} = 3.3\text{ V}$ )	42
Figure 38	PL44	88
Figure 39	PL68	90
Figure 40	PL84	92
Figure 41	PQ100	95
Figure 42	PQ144	99
Figure 43	PQ160	104
Figure 44	PQ208	109
Figure 45	PQ240	115
Figure 46	VQ80	122
Figure 47	VQ100	125
Figure 48	TQ176	128
Figure 49	CQ208	133
Figure 50	CQ256	140

Figure 51	BG272 .....	147
Figure 52	PG132 .....	155
Figure 53	CQ172 .....	160

# 1 Revision History

---

The revision history describes the changes that were implemented in the document. The changes are listed by revision, starting with the most current publication.

## 1.1 Revision 16.0

Table 4, page 7 is edited in this revision to add the temperature grade, "I" for the column A42MX09 and row PQFP144

## 1.2 Revision 15.0

The following is a summary of the changes in revision 15.0 (Published in December 2016) of this document.

- Table 15, page 23 is edited to add the footnote, VIH(Min) is 2.4V for A42MX36 family. This applies only to VCCI of 5V and is not applicable to VCCI of 3.3V
- Table 22, page 27 is edited to add the footnote, VIH(Min) is 2.4V for A42MX36 family. This applies only to VCCI of 5V and is not applicable to VCCI of 3.3V
- Table 23, page 27 is edited to add the footnote, VIH(Min) is 2.4V for A42MX36 family. This applies only to VCCI of 5V and is not applicable to VCCI of 3.3V

## 1.3 Revision 14.0

The following is a summary of the changes in revision 14.0 of this document.

- Added CQFP package information for A42MX16 device in [Product Profile](#), page 3 and [Ceramic Device Resources](#), page 6 (SAR 79522).
- Added Military (M) and MIL-STD-883 Class B (B) grades for CPGA 132 Package and added Commercial (C), Military (M), and MIL-STD-883 Class B (B) grades for CQFP 172 Package in [Temperature Grade Offerings](#), page 7 (SAR 79519)
- Changed Silicon Sculptor II to Silicon Sculptor in [Programming](#), page 15 (SAR 38754)
- Added [Figure 53](#), page 160 CQ172 package (SAR 79522).

## 1.4 Revision 13.0

The following is a summary of the changes in revision 13.0 of this document.

- Added [Figure 42](#), page 99 PQ144 Package for A42MX09 device (SAR 69776)
- Added [Figure 52](#), page 155 PQ132 Package for A42MX09 device (SAR 69776)

## 1.5 Revision 12.0

The following is a summary of the changes in revision 12.0 of this document.

- Added information on power-up behavior for A42MX24 and A42MX36 devices to the [Power Supply](#), page 15 (SAR 42096)
- Corrected the inadvertent mistake in the naming of the PL68 pin assignment table (SARs 48999, 49793)

## 1.6 Revision 11.0

The following is a summary of the changes in revision 11.0 of this document.

- The FuseLock logo and accompanying text was removed from the [User Security](#), page 14. This marking is no longer used on Microsemi devices ([PCN 0915](#))
- The [Development Tool Support](#), page 21 was updated (SAR 38512)

## 1.7 Revision 10.0

The following is a summary of the changes in revision 10.0 of this document.

- [Ordering Information](#), page 5 was updated to include lead-free package ordering codes (SAR 21968)
- The [User Security](#), page 14 was revised to clarify that although no existing security measures can give an absolute guarantee, Microsemi FPGAs implement the best security available in the industry (SAR 34673)
- The [Transient Current](#), page 15 is new (SAR 36930).
- Package names were revised according to standards established in [Package Mechanical Drawings](#) (SAR 34774)

## 1.8 Revision 9.0

The following is a summary of the changes in revision 9.0 of this document

- In [Table 20](#), page 25, the limits in VI were changed from -0.5 to VCCI + 0.5 to -0.5 to VCCA + 0.5
- In [Table 22](#), page 27,  $V_{OH}$  was changed from 3.7 to 2.4 for the min in industrial and military.  $V_{IH}$  had  $V_{CCI}$  and that was changed to VCCA

## 1.9 Revision 6.0

The following is a summary of the changes in revision 6.0 of this document.

- The [Ease of Integration](#), page 3 was updated
- The [Temperature Grade Offerings](#), page 7 is new
- The [Speed Grade Offerings](#), page 7 is new
- The [General Description](#), page 8 was updated
- The [MultiPlex I/O Modules](#), page 13 was updated
- The [User Security](#), page 14 was updated
- [Table 6](#), page 15 was updated
- The [Power Dissipation](#), page 16 was updated.
- The [Static Power Component](#), page 16 was updated
- The [Equivalent Capacitance](#), page 17 was updated
- [Figure 13](#), page 19 was updated
- [Table 10](#), page 20 was updated.
- [Figure 14](#), page 20 was updated.
- [Table 11](#), page 21 was updated.

## 2 40MX and 42MX FPGA Families

### 2.1 Features

The following sections list out various features of the 40MX and 42MX FPGA family devices.

#### 2.1.1 High Capacity

- Single-Chip ASIC Alternative
- 3,000 to 54,000 System Gates
- Up to 2.5 kbits Configurable Dual-Port SRAM
- Fast Wide-Decode Circuitry
- Up to 202 User-Programmable I/O Pins

#### 2.1.2 High Performance

- 5.6 ns Clock-to-Out
- 250 MHz Performance
- 5 ns Dual-Port SRAM Access
- 100 MHz FIFOs
- 7.5 ns 35-Bit Address Decode

#### 2.1.3 HiRel Features

- Commercial, Industrial, Automotive, and Military Temperature Plastic Packages
- Commercial, Military Temperature, and MIL-STD-883 Ceramic Packages
- QML Certification
- Ceramic Devices Available to DSCC SMD

#### 2.1.4 Ease of Integration

- Mixed-Voltage Operation (5.0 V or 3.3 V for core and I/Os), with PCI-Compliant I/Os
- Up to 100% Resource Utilization and 100% Pin Locking
- Deterministic, User-Controllable Timing
- Unique In-System Diagnostic and Verification Capability with Silicon Explorer II
- Low Power Consumption
- IEEE Standard 1149.1 (JTAG) Boundary Scan Testing

### 2.2 Product Profile

The following table gives the features of the products.

**Table 1 • Product profile**

Device	A40MX02	A40MX04	A42MX09	A42MX16	A42MX24	A42MX36
<b>Capacity</b>						
System Gates	3,000	6,000	14,000	24,000	36,000	54,000
SRAM Bits						2,560
<b>Logic Modules</b>						
Sequential			348	624	954	1,230
Combinatorial	295	547	336	608	912	1,184
Decode					24	24
<b>Clock-to-Out</b>	9.5 ns	9.5 ns	5.6 ns	6.1 ns	6.1 ns	6.3 ns
<b>SRAM Modules (64x4 or 32x8)</b>						
						10
<b>Dedicated Flip-Flops</b>			348	624	954	1,230

**Table 1 • Product profile (continued)**

<b>Device</b>	<b>A40MX02</b>	<b>A40MX04</b>	<b>A42MX09</b>	<b>A42MX16</b>	<b>A42MX24</b>	<b>A42MX36</b>
<b>Maximum Flip-Flops</b>	147	273	516	928	1,410	1,822
<b>Clocks</b>	1	1	2	2	2	6
<b>User I/O (maximum)</b>	57	69	104	140	176	202
<b>PCI</b>					Yes	Yes
<b>Boundary Scan Test (BST)</b>					Yes	Yes
Packages (by pin count)	44, 68	44, 68, 84	84	84	84	
PLCC	100	100	100, 144,	100, 160,	160, 208	208, 240
PQFP	80	80	160	208		
VQFP			100	100	176	
TQFP			176	176		208, 256
CQFP				172		272
PBGA		–				
CPGA			132			

## 2.3 Ordering Information

The following figure shows ordering information. All the following tables show plastic and ceramic device resources, temperature and speed grade offerings.

**Figure 1 • Ordering Information**



## 2.4 Plastic Device Resources

**Table 2 • Plastic Device Resources**

Device	User I/Os											
	PLCC 44-Pin	PLCC 68-Pin	PLCC 84-Pin	PQFP 100- Pin	PQFP 144- Pin	PQFP 160- Pin	PQFP 208- Pin	PQFP 240- Pin	VQFP 80-Pin	VQFP 100- Pin	TQFP 176- Pin	PBGA 272- Pin
A40MX02	34	57		57					57			
A40MX04	34	57	69	69					69			
A42MX09			72	83	95	101				83	104	
A42MX16			72	83		125	140			83	140	
A42MX24			72			125	176				150	
A42MX36							176	202				202

**Note: Package Definitions:** PLCC = Plastic Leaded Chip Carrier, PQFP = Plastic Quad Flat Pack, TQFP = Thin Quad Flat Pack, VQFP = Very Thin Quad Flat Pack, PBGA = Plastic Ball Grid Array

## 2.5 Ceramic Device Resources

**Table 3 • Ceramic Device Resources**

Device	User I/Os			
	CPGA 132-Pin	CQFP 172-Pin	CQFP 208-Pin	CQFP 256-Pin
A42MX09	95			
A42MX16		131		
A42MX36			176	202

**Note: Package Definitions:** CQFP = Ceramic Quad Flat Pack

## 2.6 Temperature Grade Offerings

**Table 4 • Temperature Grade Offerings**

Package	A40MX02	A40MX04	A42MX09	A42MX16	A42MX24	A42MX36
PLCC 44	C, I, M	C, I, M				
PLCC 68	C, I, A, M	C, I, M				
PLCC 84		C, I, A, M	C, I, A, M	C, I, M	C, I, M	
PQFP 100	C, I, A, M	C, I, A, M	C, I, A, M	C, I, M		
PQFP 144			C, I			
PQFP 160			C, I, A, M	C, I, M	C, I, A, M	
PQFP 208				C, I, A, M	C, I, A, M	C, I, A, M
PQFP 240						C, I, A, M
VQFP 80	C, I, A, M	C, I, A, M				
VQFP 100			C, I, A, M	C, I, A, M		
TQFP 176			C, I, A, M	C, I, A, M	C, I, A, M	
PBGA 272						C, I, M
CQFP 172				C, M, B		
CQFP 208						C, M, B
CQFP 256						C, M, B
CPGA 132			C, M, B			

**Note:** C = Commercial  
 I = Industrial  
 A = Automotive  
 M = Military  
 B = MIL-STD-883 Class B

## 2.7 Speed Grade Offerings

**Table 5 • Speed Grade Offerings**

	- F	Std	-1	-2	-3
C	P	P	P	P	P
I		P	P	P	P
A		P			
M		P	P		
B		P	P		

**Note:** See the [40MX and 42MX Automotive Family FPGAs](#) datasheet for details on automotive-grade MX offerings.

Contact your local [Microsemi Sales representative](#) for device availability.

## 3 40MX and 42MX FPGAs

---

### 3.1 General Description

Microsemi's 40MX and 42MX families offer a cost-effective design solution at 5V. The MX devices are single-chip solutions and provide high performance while shortening the system design and development cycle. MX devices can integrate and consolidate logic implemented in multiple programmable array logics (PALs), complex programmable logic devices (CPLDs), and FPGAs. Example applications include high-speed controllers and address decoding, peripheral bus interfaces, digital signal processor (DSP), and co-processor functions.

The MX device architecture is based on Microsemi's patented antifuse technology implemented in a 0.45µm triple-metal CMOS process. With capacities ranging from 3,000 to 54,000 system gates, the MX devices provide performance up to 250 MHz, are live on power-up and have one-fifth the standby power consumption of comparable FPGAs. MX FPGAs provide up to 202 user I/Os and are available in a wide variety of packages and speed grades.

A42MX24 and A42MX36 devices also feature multiPlex I/Os, which support mixed-voltage systems, enable programmable peripheral component interconnect (PCI), deliver high-performance operation at both 5.0V and 3.3V, and provide a low-power mode. The devices are fully compliant with the PCI local bus specification (version 2.1). They deliver 200 MHz on-chip operation and 6.1 ns clock-to-output performance.

The 42MX24 and 42MX36 devices include system-level features such as IEEE Standard 1149.1 (JTAG) Boundary Scan Testing and fast wide-decode modules. In addition, the A42MX36 device offers dual-port SRAM for implementing fast first in first out (FIFOs), last in first out (LIFOs), and temporary data storage. The storage elements can efficiently address applications requiring wide data path manipulation and can perform transformation functions such as those required for telecommunications, networking, and DSP.

All MX devices are fully tested over automotive and military temperature ranges. In addition, the largest member of the family, the A42MX36, is available in both CQ208 and CQ256 ceramic packages screened to MIL-STD-883 levels. For easy prototyping and conversion from plastic to ceramic, the CQ208 and PQ208 devices are pin-compatible.

### 3.2 MX Architectural Overview

The MX devices are composed of fine-grained building blocks that enable fast, efficient logic designs. All devices within these families are composed of logic modules, I/O modules, routing resources and clock networks, which are the building blocks for fast logic designs. In addition, the A42MX36 device contains embedded dual-port SRAM modules, which are optimized for high-speed data path functions such as FIFOs, LIFOs and scratch pad memory. A42MX24 and A42MX36 also contain wide-decode modules.

#### 3.2.1 Logic Modules

The 40MX logic module is an eight-input, one-output logic circuit designed to implement a wide range of logic functions with efficient use of interconnect routing resources.(see the following figures).

The logic module can implement the four basic logic functions (NAND, AND, OR and NOR) in gates of two, three, or four inputs. The logic module can also implement a variety of D-latches, exclusivity functions, AND-ORs and OR-ANDs. No dedicated hard-wired latches or flip-flops are required in the array; latches and flip-flops can be constructed from logic modules whenever required in the application.

**Figure 2 • 42MX C-Module Implementation**



The 42MX devices contain three types of logic modules: combinatorial (C-modules), sequential (S-modules) and decode (D-modules). The following figure illustrates the combinatorial logic module. The S-module, shown in [Figure 4](#), page 10, implements the same combinatorial logic function as the C-module while adding a sequential element. The sequential element can be configured as either a D-flip-flop or a transparent latch. The S-module register can be bypassed so that it implements purely combinatorial logic.

**Figure 3 • 42MX C-Module Implementation**



**Figure 4 • 42MX S-Module Implementation**

A42MX24 and A42MX36 devices contain D-modules, which are arranged around the periphery of the device. D-modules contain wide-decode circuitry, providing a fast, wide-input AND function similar to that found in CPLD architectures (Figure 5, page 11). The D-module allows A42MX24 and A42MX36 devices to perform wide-decode functions at speeds comparable to CPLDs and PALs. The output of the D-module has a programmable inverter for active HIGH or LOW assertion. The D-module output is hardwired to an output pin, and can also be fed back into the array to be incorporated into other logic.

### 3.2.2 Dual-Port SRAM Modules

The A42MX36 device contains dual-port SRAM modules that have been optimized for synchronous or asynchronous applications. The SRAM modules are arranged in 256-bit blocks that can be configured as 32x8 or 64x4. SRAM modules can be cascaded together to form memory spaces of user-definable width and depth. A block diagram of the A42MX36 dual-port SRAM block is shown in Figure 6, page 11.

The A42MX36 SRAM modules are true dual-port structures containing independent read and write ports. Each SRAM module contains six bits of read and write addressing (RDAD[5:0] and WRAD[5:0], respectively) for 64x4-bit blocks. When configured in byte mode, the highest order address bits (RDAD5 and WRAD5) are not used. The read and write ports of the SRAM block contain independent clocks (RCLK and WCLK) with programmable polarities offering active HIGH or LOW implementation. The SRAM block contains eight data inputs (WD[7:0]), and eight outputs (RD[7:0]), which are connected to segmented vertical routing tracks.

The A42MX36 dual-port SRAM blocks provide an optimal solution for high-speed buffered applications requiring FIFO and LIFO queues. The ACTgen Macro Builder within Microsemi's designer software provides capability to quickly design memory functions with the SRAM blocks. Unused SRAM blocks can be used to implement registers for other user logic within the design.

**Figure 5 • A42MX24 and A42MX36 D-Module Implementation**



**Figure 6 • A42MX36 Dual-Port SRAM Block**



### 3.2.3 Routing Structure

The MX architecture uses vertical and horizontal routing tracks to interconnect the various logic and I/O modules. These routing tracks are metal interconnects that may be continuous or split into segments. Varying segment lengths allow the interconnect of over 90% of design tracks to occur with only two antifuse connections. Segments can be joined together at the ends using antifuses to increase their lengths up to the full length of the track. All interconnects can be accomplished with a maximum of four antifuses.

#### 3.2.3.1 Horizontal Routing

Horizontal routing tracks span the whole row length or are divided into multiple segments and are located in between the rows of modules. Any segment that spans more than one-third of the row length is considered a long horizontal segment. A typical channel is shown in [Figure 7](#), page 12. Within horizontal routing, dedicated routing tracks are used for global clock networks and for power and ground tie-off tracks. Non-dedicated tracks are used for signal nets.

#### 3.2.3.2 Vertical Routing

Another set of routing tracks run vertically through the module. There are three types of vertical tracks: input, output, and long. Long tracks span the column length of the module, and can be divided into multiple segments. Each segment in an input track is dedicated to the input of a particular module; each segment in an output track is dedicated to the output of a particular module. Long segments are uncommitted and can be assigned during routing.

Each output segment spans four channels (two above and two below), except near the top and bottom of the array, where edge effects occur. Long vertical tracks contain either one or two segments. An example of vertical routing tracks and segments is shown in [Figure 7](#), page 12.

### 3.2.3.3 Antifuse Structures

An antifuse is a “normally open” structure. The use of antifuses to implement a programmable logic device results in highly testable structures as well as efficient programming algorithms. There are no pre-existing connections; temporary connections can be made using pass transistors. These temporary connections can isolate individual antifuses to be programmed and individual circuit structures to be tested, which can be done before and after programming. For instance, all metal tracks can be tested for continuity and shorts between adjacent tracks, and the functionality of all logic modules can be verified.

**Figure 7 • MX Routing Structure**



### 3.2.4 Clock Networks

The 40MX devices have one global clock distribution network (CLK). A signal can be put on the CLK network by being routed through the CLKBUF buffer.

In 42MX devices, there are two low-skew, high-fanout clock distribution networks, referred to as CLKA and CLKB. Each network has a clock module (CLKMOD) that can select the source of the clock signal from any of the following (Figure 8, page 13):

- Externally from the CLKA pad, using CLKBUF buffer
- Externally from the CLKB pad, using CLKBUF buffer
- Internally from the CLKINTA input, using CLKINT buffer
- Internally from the CLKINTB input, using CLKINT buffer

The clock modules are located in the top row of I/O modules. Clock drivers and a dedicated horizontal clock track are located in each horizontal routing channel.

Clock input pads in both 40MX and 42MX devices can also be used as normal I/Os, bypassing the clock networks.

The A42MX36 device has four additional register control resources, called quadrant clock networks (Figure 9, page 13). Each quadrant clock provides a local, high-fanout resource to the contiguous logic modules within its quadrant of the device. Quadrant clock signals can originate from specific I/O pins or from the internal array and can be used as a secondary register clock, register clear, or output enable.

**Figure 8 • Clock Networks of 42MX Devices**

**Figure 9 • Quadrant Clock Network of A42MX36 Devices**


**Note:** \*QCLK1IN, QCLK2IN, QCLK3IN, and QCLK4IN are internally-generated signals.

### 3.2.5 MultiPlex I/O Modules

42MX devices feature MultiPlex I/Os and support 5.0 V, 3.3 V, and mixed 3.3 V/5.0 V operations.

The MultiPlex I/O modules provide the interface between the device pins and the logic array. [Figure 10](#), page 14 is a block diagram of the 42MX I/O module. A variety of user functions, determined by a library macro selection, can be implemented in the module. (See the [Antifuse Macro Library Guide](#) for more information.) All 42MX I/O modules contain tristate buffers, with input and output latches that can be configured for input, output, or bidirectional operation.

All 42MX devices contain flexible I/O structures, where each output pin has a dedicated output-enable control ([Figure 10](#), page 14). The I/O module can be used to latch input or output data, or both, providing fast set-up time. In addition, the Designer software tools can build a D-type flip-flop using a C-module combined with an I/O module to register input and output signals. See the [Antifuse Macro Library Guide](#) for more details.

A42MX24 and A42MX36 devices also offer selectable PCI output drives, enabling 100% compliance with version 2.1 of the PCI specification. For low-power systems, all inputs and outputs are turned off to reduce current consumption to below 500  $\mu$ A.

To achieve 5.0 V or 3.3 V PCI-compliant output drives on A42MX24 and A42MX36 devices, a chip-wide PCI fuse is programmed via the Device Selection Wizard in the Designer software ([Figure 11](#), page 14). When the PCI fuse is not programmed, the output drive is standard.

Designer software development tools provide a design library of I/O macro functions that can implement all I/O configurations supported by the MX FPGAs.

**Figure 10 • 42MX I/O Module**



**Note:** \*Can be configured as a Latch or D Flip-Flop (Using C-Module)

**Figure 11 • PCI Output Structure of A42MX24 and A42MX36 Devices**



## 3.3 Other Architectural Features

The following sections cover other architectural features of 40MX and 42MX FPGAs.

### 3.3.1 Performance

MX devices can operate with internal clock frequencies of 250 MHz, enabling fast execution of complex logic functions. MX devices are live on power-up and do not require auxiliary configuration devices and thus are an optimal platform to integrate the functionality contained in multiple programmable logic devices. In addition, designs that previously would have required a gate array to meet performance can be integrated into an MX device with improvements in cost and time-to-market. Using timing-driven place-and-route (TDPR) tools, designers can achieve highly deterministic device performance.

### 3.3.2 User Security

Microsemi FuseLock provides robust security against design theft. Special security fuses are hidden in the fabric of the device and protect against unauthorized users attempting to access the programming and/or probe interfaces. It is virtually impossible to identify or bypass these fuses without damaging the device, making Microsemi antifuse FPGAs protected with the highest level of security available from both invasive and noninvasive attacks.

Special security fuses in 40MX devices include the Probe Fuse and Program Fuse. The former disables the probing circuitry while the latter prohibits further programming of all fuses, including the Probe Fuse. In 42MX devices, there is the Security Fuse which, when programmed, both disables the probing circuitry and prohibits further programming of the device.

### 3.3.3 Programming

Device programming is supported through the Silicon Sculptor series of programmers. Silicon Sculptor is a compact, robust, single-site and multi-site device programmer for the PC. With standalone software, Silicon Sculptor is designed to allow concurrent programming of multiple units from the same PC.

Silicon Sculptor programs devices independently to achieve the fastest programming times possible. After being programmed, each fuse is verified to insure that it has been programmed correctly. Furthermore, at the end of programming, there are integrity tests that are run to ensure no extra fuses have been programmed. Not only does it test fuses (both programmed and non-programmed), Silicon Sculptor also allows self-test to verify its own hardware extensively.

The procedure for programming an MX device using Silicon Sculptor is as follows:

1. Load the \*.AFM file
2. Select the device to be programmed
3. Begin programming

When the design is ready to go to production, Microsemi offers device volume-programming services either through distribution partners or via In-House Programming from the factory.

For more details on programming MX devices, see the [AC225: Programming Antifuse Devices](#) application note and the [Silicon Sculptor 3 Programmers User Guide](#).

### 3.3.4 Power Supply

MX devices are designed to operate in both 5.0V and 3.3V environments. In particular, 42MX devices can operate in mixed 5.0 V/3.3 V systems. The following table describes the voltage support of MX devices.

**Table 6 • Voltage Support of MX Devices**

Device	VCC	VCCA	VCCI	Maximum Input Tolerance	Nominal Output Voltage
40MX	5.0 V			5.5 V	5.0 V
	3.3 V			3.6 V	3.3 V
42MX		5.0 V	5.0 V	5.5 V	5.0 V
		3.3 V	3.3 V	3.6 V	3.3 V
		5.0 V	3.3 V	5.5 V	3.3 V

For A42MX24 and A42MX36 devices the VCCA supply has to be monotonic during power up in order for the POR to issue reset to the JTAG state machine correctly. For more information, see the [AC291: 42MX Family Devices Power-Up Behavior](#).

### 3.3.5 Power-Up/Down in Mixed-Voltage Mode

When powering up 42MX in mixed voltage mode (VCCA = 5.0 V and VCCI = 3.3 V), VCCA must be greater than or equal to VCCI throughout the power-up sequence. If VCCI exceeds VCCA during power-up, one of two things will happen:

- The input protection diode on the I/Os will be forward biased
- The I/Os will be at logical High

In either case, ICC rises to high levels. For power-down, any sequence with VCCA and VCCI can be implemented.

### 3.3.6 Transient Current

Due to the simultaneous random logic switching activity during power-up, a transient current may appear on the core supply (VCC). Customers must use a regulator for the VCC supply that can source a minimum of 100 mA for transient current during power-up. Failure to provide enough power can prevent the system from powering up properly and result in functional failure. However, there are no reliability concerns, since transient current is distributed across the die instead of confined to a localized spot.

Since the transient current is not due to I/O switching, its value and duration are independent of the VCCI.

### 3.3.7 Low Power Mode

42MX devices have been designed with a low power mode. This feature, activated with setting the special LP pin to HIGH for a period longer than 800 ns, is particularly useful for battery-operated systems where battery life is a primary concern. In this mode, the core of the device is turned off and the device consumes minimal power with low standby current. In addition, all input buffers are turned off, and all outputs and bidirectional buffers are tristated. Since the core of the device is turned off, the states of the registers are lost. The device must be re-initialized when exiting low power mode. I/Os can be driven during LP mode, and clock pins should be driven HIGH or LOW and should not float to avoid drawing current. To exit LP mode, the LP pin must be pulled LOW for over 200  $\mu$ s to allow for charge pumps to power up, and device initialization will begin.

## 3.4 Power Dissipation

The general power consumption of MX devices is made up of static and dynamic power and can be expressed with the following equation.

### 3.4.1 General Power Equation

$$P = [ICC_{standby} + ICC_{active}] * VCCI + IOL * VOL * N + IOH * (VCCI - VOH) * M$$

EQ 1

where:

- $ICC_{standby}$  is the current flowing when no inputs or outputs are changing.
- $ICC_{active}$  is the current flowing due to CMOS switching.
- $IOL$ ,  $IOH$  are TTL sink/source currents.
- $VOL$ ,  $VOH$  are TTL level output voltages.
- $N$  equals the number of outputs driving TTL loads to  $VOL$ .
- $M$  equals the number of outputs driving TTL loads to  $VOH$ .

Accurate values for  $N$  and  $M$  are difficult to determine because they depend on the family type, on design details, and on the system I/O. The power can be divided into two components: static and active.

### 3.4.2 Static Power Component

The static power due to standby current is typically a small component of the overall power consumption. Standby power is calculated for commercial, worst-case conditions. The static power dissipation by TTL loads depends on the number of outputs driving, and on the DC load current. For instance, a 32-bit bus sinking 4mA at 0.33V will generate 42mW with all outputs driving LOW, and 140mW with all outputs driving HIGH. The actual dissipation will average somewhere in between, as I/Os switch states with time.

### 3.4.3 Active Power Component

Power dissipation in CMOS devices is usually dominated by the dynamic power dissipation. Dynamic power consumption is frequency-dependent and is a function of the logic and the external I/O. Active power dissipation results from charging internal chip capacitances of the interconnect, unprogrammed antifuses, module inputs, and module outputs, plus external capacitances due to PC board traces and load device inputs. An additional component of the active power dissipation is the totem pole current in the CMOS transistor pairs. The net effect can be associated with an equivalent capacitance that can be combined with frequency and voltage to represent active power dissipation.

The power dissipated by a CMOS circuit can be expressed by the equation:

$$\text{Power}(\mu\text{W}) = C_{EQ} * VCCA^2 * F(1)$$

EQ 2

where:

- $C_{EQ}$  = Equivalent capacitance expressed in picofarads (pF)
- $VCCA$  = Power supply in volts (V)
- $F$  = Switching frequency in megahertz (MHz)

### 3.4.4 Equivalent Capacitance

Equivalent capacitance is calculated by measuring  $IC_{active}$  at a specified frequency and voltage for each circuit component of interest. Measurements have been made over a range of frequencies at a fixed value of  $VCC$ . Equivalent capacitance is frequency-independent, so the results can be used over a wide range of operating conditions. Equivalent capacitance values are shown below.

### 3.4.5 $C_{EQ}$ Values for Microsemi MX FPGAs

Modules ( $C_{EQM}$ ) 3.5

Input Buffers ( $C_{EQI}$ ) 6.9

Output Buffers ( $C_{EQO}$ ) 18.2

Routed Array Clock Buffer Loads ( $C_{EQCR}$ ) 1.4

To calculate the active power dissipated from the complete design, the switching frequency of each part of the logic must be known. The equation below shows a piece-wise linear summation over all components.

$$\text{Power} = VCCA^2 * [(m \times C_{EQM} * f_m)_{\text{modules}} + (n * C_{EQI} * f_n)_{\text{inputs}} + (p * (C_{EQO} + C_L) * f_p)_{\text{outputs}} + 0.5 * (q_1 * C_{EQCR} * f_{q1})_{\text{routed\_Clk1}} + (r_1 * f_{q1})_{\text{routed\_Clk1}} + 0.5 * (q_2 * C_{EQCR} * f_{q2})_{\text{routed\_Clk2}} + (r_2 * f_{q2})_{\text{routed\_Clk2}}] \quad (2)$$

EQ 3

where:

$m$  = Number of logic modules switching at frequency  $f_m$

$n$  = Number of input buffers switching at frequency  $f_n$

$p$  = Number of output buffers switching at frequency  $f_p$

$q_1$  = Number of clock loads on the first routed array clock

$q_2$  = Number of clock loads on the second routed array clock

$r_1$  = Fixed capacitance due to first routed array clock

$r_2$  = Fixed capacitance due to second routed array clock

$C_{EQM}$  = Equivalent capacitance of logic modules in pF

$C_{EQI}$  = Equivalent capacitance of input buffers in pF

$C_{EQO}$  = Equivalent capacitance of output buffers in pF

$C_{EQCR}$  = Equivalent capacitance of routed array clock in pF

$C_L$  = Output load capacitance in pF

$f_m$  = Average logic module switching rate in MHz

$f_n$  = Average input buffer switching rate in MHz

$f_p$  = Average output buffer switching rate in MHz

$f_{q1}$  = Average first routed array clock rate in MHz

$f_{q2}$  = Average second routed array clock rate in MHz)

**Table 7 • Fixed Capacitance Values for MX FPGAs (pF)**

Device Type	r1 routed_Clk1	r2 routed_Clk2
A40MX02	41.4	N/A
A40MX04	68.6	N/A
A42MX09	118	118
A42MX16	165	165
A42MX24	185	185
A42MX36	220	220

### 3.4.6 Test Circuitry and Silicon Explorer II Probe

MX devices contain probing circuitry that provides built-in access to every node in a design, via the use of Silicon Explorer II. Silicon Explorer II is an integrated hardware and software solution that, in conjunction with the Designer software, allows users to examine any of the internal nets of the device while it is operating in a prototyping or a production system. The user can probe into an MX device without changing the placement and routing of the design and without using any additional resources. Silicon Explorer II's noninvasive method does not alter timing or loading effects, thus shortening the debug cycle and providing a true representation of the device under actual functional situations.

Silicon Explorer II samples data at 100 MHz (asynchronous) or 66 MHz (synchronous). Silicon Explorer II attaches to a PC's standard COM port, turning the PC into a fully functional 18-channel logic analyzer. Silicon Explorer II allows designers to complete the design verification process at their desks and reduces verification time from several hours per cycle to a few seconds.

Silicon Explorer II is used to control the MODE, DCLK, SDI and SDO pins in MX devices to select the desired nets for debugging. The user simply assigns the selected internal nets in the Silicon Explorer II software to the PRA/PRB output pins for observation. Probing functionality is activated when the MODE pin is held HIGH.

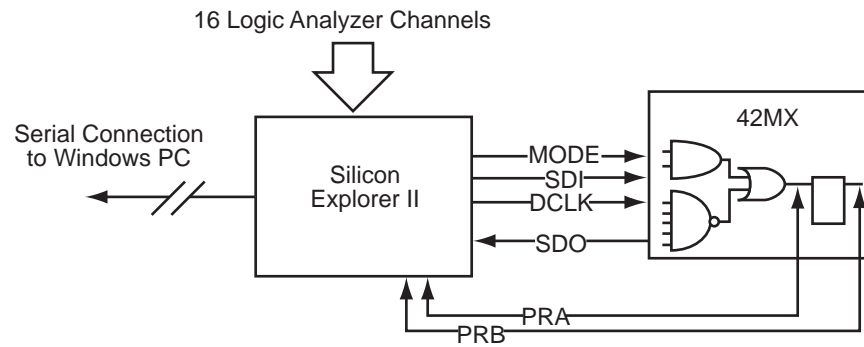
Figure 12, page 18 illustrates the interconnection between Silicon Explorer II and 40MX devices, while Figure 13, page 19 illustrates the interconnection between Silicon Explorer II and 42MX devices

To allow for probing capabilities, the security fuses must not be programmed. (See [User Security](#), page 14 for the security fuses of 40MX and 42MX devices). Table 8, page 19 summarizes the possible device configurations for probing.

PRA and PRB pins are dual-purpose pins. When the "Reserve Probe Pin" is checked in the Designer software, PRA and PRB pins are reserved as dedicated outputs for probing. If PRA and PRB pins are required as user I/Os to achieve successful layout and "Reserve Probe Pin" is checked, the layout tool will override the option and place user I/Os on PRA and PRB pins.

**Figure 12 • Silicon Explorer II Setup with 40MX**



**Figure 13 • Silicon Explorer II Setup with 42MX****Table 8 • Device Configuration Options for Probe Capability**

Security Fuse(s) Programmed	Mode	PRA, PRB <sup>1</sup>	SDI, SDO, DCLK <sup>1</sup>
No	LOW	User I/Os <sup>2</sup>	User I/Os <sup>2</sup>
No	HIGH	Probe Circuit Outputs	Probe Circuit Inputs
Yes		Probe Circuit Secured	Probe Circuit Secured

1. Avoid using SDI, SDO, DCLK, PRA and PRB pins as input or bidirectional ports. Since these pins are active during probing, input signals will not pass through these pins and may cause contention.
2. If no user signal is assigned to these pins, they will behave as unused I/Os in this mode. See the *Pin Descriptions*, page 85 for information on unused I/O pins

### 3.4.7 Design Consideration

It is recommended to use a series 70  $\Omega$  termination resistor on every probe connector (SDI, SDO, MODE, DCLK, PRA and PRB). The 70  $\Omega$  series termination is used to prevent data transmission corruption during probing and reading back the checksum.

### 3.4.8 IEEE Standard 1149.1 Boundary Scan Test (BST) Circuitry

42MX24 and 42MX36 devices are compatible with IEEE Standard 1149.1 (informally known as Joint Testing Action Group Standard or JTAG), which defines a set of hardware architecture and mechanisms for cost-effective board-level testing. The basic MX boundary-scan logic circuit is composed of the TAP (test access port), TAP controller, test data registers and instruction register (Figure 14, page 20). This circuit supports all mandatory IEEE 1149.1 instructions (EXTEST, SAMPLE/PRELOAD and BYPASS) and some optional instructions. Table 9, page 20 describes the ports that control JTAG testing, while Table 10, page 20 describes the test instructions supported by these MX devices.

Each test section is accessed through the TAP, which has four associated pins: TCK (test clock input), TDI and TDO (test data input and output), and TMS (test mode selector).

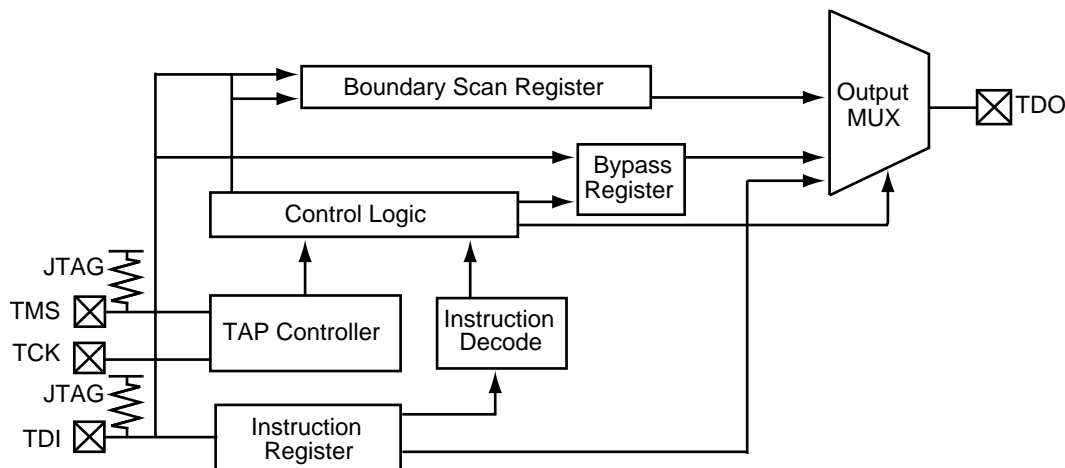
The TAP controller is a four-bit state machine. The '1's and '0's represent the values that must be present at TMS at a rising edge of TCK for the given state transition to occur. IR and DR indicate that the instruction register or the data register is operating in that state.

The TAP controller receives two control inputs (TMS and TCK) and generates control and clock signals for the rest of the test logic architecture. On power-up, the TAP controller enters the Test-Logic-Reset state. To guarantee a reset of the controller from any of the possible states, TMS must remain high for five TCK cycles.

42MX24 and 42MX36 devices support three types of test data registers: bypass, device identification, and boundary scan. The bypass register is selected when no other register needs to be accessed in a device. This speeds up test data transfer to other devices in a test data path. The 32-bit device identification register is a shift register with four fields (lowest significant byte (LSB), ID number, part number and version). The boundary-scan register observes and controls the state of each I/O pin.

Each I/O cell has three boundary-scan register cells, each with a serial-in, serial-out, parallel-in, and parallel-out pin. The serial pins are used to serially connect all the boundary-scan register cells in a device into a boundary-scan register chain, which starts at the TDI pin and ends at the TDO pin. The parallel ports are connected to the internal core logic tile and the input, output and control ports of an I/O buffer to capture and load data into the register to control or observe the logic state of each I/O.

**Figure 14 • 42MX IEEE 1149.1 Boundary Scan Circuitry**



**Table 9 • Test Access Port Descriptions**

Port	Description
TMS (Test Mode Select)	Serial input for the test logic control bits. Data is captured on the rising edge of the test logic clock (TCK).
TCK (Test Clock Input)	Dedicated test logic clock used serially to shift test instruction, test data, and control inputs on the rising edge of the clock, and serially to shift the output data on the falling edge of the clock. The maximum clock frequency for TCK is 20 MHz.
TDI (Test Data Input)	Serial input for instruction and test data. Data is captured on the rising edge of the test logic clock.
TDO (Test Data Output)	Serial output for test instruction and data from the test logic. TDO is set to an inactive drive state (high impedance) when data scanning is not in progress.

**Table 10 • Supported BST Public Instructions**

Instruction	IR Code (IR2.IR0)	Instruction Type	Description
EXTEST	000	Mandatory	Allows the external circuitry and board-level interconnections to be tested by forcing a test pattern at the output pins and capturing test results at the input pins.
SAMPLE/PRELOAD	001	Mandatory	Allows a snapshot of the signals at the device pins to be captured and examined during operation
HIGH Z	101	Optional	Tristates all I/Os to allow external signals to drive pins. See the IEEE Standard 1149.1 specification.
CLAMP	110	Optional	Allows state of signals driven from component pins to be determined from the Boundary-Scan Register. See the IEEE Standard 1149.1 specification for details.
BYPASS	111	Mandatory	Enables the bypass register between the TDI and TDO pins. The test data passes through the selected device to adjacent devices in the test chain.

### 3.4.9 JTAG Mode Activation

The JTAG test logic circuit is activated in the Designer software by selecting **Tools > Device Selection**. This brings up the Device Selection dialog box as shown in the following figure. The JTAG test logic circuit can be enabled by clicking the “Reserve JTAG Pins” check box. The following table explains the pins' behavior in either mode.

**Figure 15 • Device Selection Wizard**



**Table 11 • Boundary Scan Pin Configuration and Functionality**

Reserve JTAG Checked		Unchecked
TCK	BST input; must be terminated to logical HIGH or LOW to avoid floating	User I/O
TDI, TMS	BST input; may float or be tied to HIGH	User I/O
TDO	BST output; may float or be connected to TDI of another device	User I/O

### 3.4.10 TRST Pin and TAP Controller Reset

An active reset (TRST) pin is not supported; however, MX devices contain power-on circuitry that resets the boundary scan circuitry upon power-up. Also, the TMS pin is equipped with an internal pull-up resistor. This allows the TAP controller to remain in or return to the Test-Logic-Reset state when there is no input or when a logical 1 is on the TMS pin. To reset the controller, TMS must be HIGH for at least five TCK cycles.

### 3.4.11 Boundary Scan Description Language (BSDL) File

Conforming to the IEEE Standard 1149.1 requires that the operation of the various JTAG components be documented. The BSDL file provides the standard format to describe the JTAG components that can be used by automatic test equipment software. The file includes the instructions that are supported, instruction bit pattern, and the boundary-scan chain order. For an in-depth discussion on BSDL files, see the [BSDL Files Format Description](#) application note.

BSDL files are grouped into two categories - generic and device-specific. The generic files assign all user I/Os as inouts. Device-specific files assign user I/Os as inputs, outputs or inouts.

Generic files for MX devices are available on the Microsemi SoC Product Group's website:

<http://www.microsemi.com/soc/techdocs/models/bsdl.html>.

## 3.5 Development Tool Support

The MX family of FPGAs is fully supported by Libero<sup>®</sup> integrated design environment (IDE). Libero IDE is a design management environment, seamlessly integrating design tools while guiding the user through the design flow, managing all design and log files, and passing necessary design data among tools. Libero IDE allows users to integrate both schematic and HDL synthesis into a single flow and verify the entire design in a single environment. Libero IDE includes SynplifyPro from Synopsys, ModelSim<sup>®</sup> HDL Simulator from Mentor Graphics<sup>®</sup> and Viewdraw.

Libero IDE includes place-and-route and provides a comprehensive suite of backend support tools for FPGA development, including timing-driven place-and-route, and a world-class integrated static timing analyzer and constraints editor.

Additionally, the back-annotation flow is compatible with all the major simulators and the simulation results can be cross-probed with Silicon Explorer II, Microsemi's integrated verification and logic analysis tool. Another tool included in the Libero software is the SmartGen macro builder, which easily creates popular and commonly used logic functions for implementation into your schematic or HDL design.

Microsemi's Libero software is compatible with the most popular FPGA design entry and verification tools from companies such as Mentor Graphics, Synopsys, and Cadence design systems.

See the Libero IDE web content at [www.microsemi.com/soc/products/software/libero/default.aspx](http://www.microsemi.com/soc/products/software/libero/default.aspx) for further information on licensing and current operating system support.

## 3.6 Related Documents

The following sections give the list of related documents which can be referred for this datasheet.

### 3.6.1 Application Notes

- *AC278: BSDL Files Format Description*
- *AC225: Programming Antifuse Devices*
- *AC168: Implementation of Security in Microsemi Antifuse FPGAs*

### 3.6.2 User Guides and Manuals

- *Antifuse Macro Library Guide*
- *Silicon Sculptor Programmers User Guide*

### 3.6.3 Miscellaneous

*Libero IDE Flow Diagram*

## 3.7 5.0 V Operating Conditions

The following tables show 5.0 V operating conditions.

**Table 12 • Absolute Maximum Ratings for 40MX Devices\***

Symbol	Parameter	Limits	Units
VCC	DC Supply Voltage	-0.5 to +7.0	V
VI	Input Voltage	-0.5 to VCC+0.5	V
VO	Output Voltage	-0.5 to VCC+0.5	V
t <sub>STG</sub>	Storage Temperature	-65 to +150	°C

**Note:** \*Stresses beyond those listed under “Absolute Maximum Ratings” may cause permanent damage to the device. Exposure to absolute maximum rated conditions for extended periods may affect device reliability. Devices should not be operated outside the recommended operating conditions.

**Table 13 • Absolute Maximum Ratings for 42MX Devices\***

Symbol	Parameter	Limits	Units
VCCI	DC Supply Voltage for I/Os	-0.5 to +7.0	V
VCCA	DC Supply Voltage for Array	-0.5 to +7.0	V
VI	Input Voltage	-0.5 to VCCI+0.5	V
VO	Output Voltage	-0.5 to VCCI+0.5	V
t <sub>STG</sub>	Storage Temperature	-65 to +150	°C

**Note:** \*Stresses beyond those listed under “Absolute Maximum Ratings” may cause permanent damage to the device. Exposure to absolute maximum rated conditions for extended periods may affect device reliability. Devices should not be operated outside the recommended operating conditions.

**Table 14 • Recommended Operating Conditions**

Parameter	Commercial	Industrial	Military	Units
Temperature Range*	0 to +70	–40 to +85	–55 to +125	°C
VCC (40MX)	4.75 to 5.25	4.5 to 5.5	4.5 to 5.5	V
VCCA (42MX)	4.75 to 5.25	4.5 to 5.5	4.5 to 5.5	V
VCCI (42MX)	4.75 to 5.25	4.5 to 5.5	4.5 to 5.5	V

**Note:** \* Ambient temperature ( $T_A$ ) is used for commercial and industrial grades; case temperature ( $T_C$ ) is used for military grades.

### 3.7.1 5 V TTL Electrical Specifications

The following tables show 5 V TTL electrical specifications.

**Table 15 • 5V TTL Electrical Specifications**

Symbol	Parameter	Commercial		Commercial -F		Industrial		Military		Units
		Min.	Max.	Min.	Max.	Min.	Max.	Min.	Max.	
VOH <sup>1</sup>	IOH = –10 mA	2.4		2.4						V
	IOH = –4 mA					3.7		3.7		V
VOL <sup>1</sup>	IOL = 10 mA		0.5		0.5					V
	IOL = 6 mA					0.4		0.4		V
VIL		–0.3	0.8	–0.3	0.8	–0.3	0.8	–0.3	0.8	V
VIH (40MX)		2.0	VCC + 0.3	2.0	VCC + 0.3	2.0	VCC + 0.3	2.0	VCC + 0.3	V
VIH (42MX) <sup>2</sup>		2.0	VCCI + 0.3	2.0	VCCI + 0.3	2.0	VCCI + 0.3	2.0	VCCI + 0.3	V
IIL	VIN = 0.5 V		–10		–10		–10		–10	μA
IIH	VIN = 2.7 V		–10		–10		–10		–10	μA
Input Transition Time, $T_R$ and $T_F$			500		500		500		500	ns
$C_{IO}$ I/O Capacitance			10		10		10		10	pF
Standby Current, $ICC^3$	A40MX02, A40MX04		3		25		10		25	mA
	A42MX09		5		25		25		25	mA
	A42MX16		6		25		25		25	mA
	A42MX24, A42MX36		20		25		25		25	mA
Low power mode Standby Current	42MX devices only		0.5		ICC – 5.0		ICC – 5.0		ICC – 5.0	mA
IIO, I/O source sink current	Can be derived from the <i>IBIS model</i> ( <a href="http://www.microsemi.com/soc/techdocs/models/ibis.html">http://www.microsemi.com/soc/techdocs/models/ibis.html</a> )									

1. Only one output tested at a time. VCC/VCCI = Min.
2. VIH(Min) is 2.4V for A42MX36 family. This applies only to VCCI of 5V and is not applicable to VCCI of 3.3V
3. All outputs unloaded. All inputs = VCC/VCCI or GND

## 3.8 3.3 V Operating Conditions

The following table shows 3.3 V operating conditions.

**Table 16 • Absolute Maximum Ratings for 40MX Devices\***

Symbol	Parameter	Limits	Units
VCC	DC Supply Voltage	-0.5 to +7.0	V
VI	Input Voltage	-0.5 to VCC + 0.5	V
VO	Output Voltage	-0.5 to VCC + 0.5	V
t <sub>STG</sub>	Storage Temperature	-65 to + 150	°C

**Note:** \*Stresses beyond those listed under “Absolute Maximum Ratings” may cause permanent damage to the device. Exposure to absolute maximum rated conditions for extended periods may affect device reliability. Devices should not be operated outside the recommended operating conditions.

**Table 17 • Absolute Maximum Ratings for 42MX Devices\***

Symbol	Parameter	Limits	Units
VCCI	DC Supply Voltage for I/Os	-0.5 to +7.0	V
VCCA	DC Supply Voltage for Array	-0.5 to +7.0	V
VI	Input Voltage	-0.5 to VCCI+0.5	V
VO	Output Voltage	-0.5 to VCCI+0.5	V
t <sub>STG</sub>	Storage Temperature	-65 to +150	°C

**Note:** \*Stresses beyond those listed under “Absolute Maximum Ratings” may cause permanent damage to the device. Exposure to absolute maximum rated conditions for extended periods may affect device reliability. Devices should not be operated outside the recommended operating conditions.

**Table 18 • Recommended Operating Conditions**

Parameter	Commercial	Industrial	Military	Units
Temperature Range*	0 to +70	-40 to +85	-55 to +125	°C
VCC (40MX)	3.0 to 3.6	3.0 to 3.6	3.0 to 3.6	V
VCCA (42MX)	3.0 to 3.6	3.0 to 3.6	3.0 to 3.6	V
VCCI (42MX)	3.0 to 3.6	3.0 to 3.6	3.0 to 3.6	V

**Note:** \*Ambient temperature (T<sub>A</sub>) is used for commercial and industrial grades; case temperature (T<sub>C</sub>) is used for military grades.

All the following tables show various specifications and operating conditions of 40MX and 42MX FPGAs.

### 3.8.1 3.3 V LVTTTL Electrical Specifications

**Table 19 • 3.3V LVTTTL Electrical Specifications**

Symbol	Parameter	Commercial		Commercial -F		Industrial		Military		Units
		Min.	Max.	Min.	Max.	Min.	Max.	Min.	Max.	
VOH <sup>1</sup>	IOH = -4 mA	2.15		2.15		2.4		2.4		V
VOL <sup>1</sup>	IOL = 6 mA		0.4		0.4		0.48		0.48	V
VIL		-0.3	0.8	-0.3	0.8	-0.3	0.8	-0.3	0.8	V
VIH (40MX)		2.0	VCC + 0.3	2.0	VCC + 0.3	2.0	VCC + 0.3	2.0	VCC + 0.3	V
VIH (42MX)		2.0	VCCI + 0.3	2.0	VCCI + 0.3	2.0	VCCI + 0.3	2.0	VCCI + 0.3	V
IIL			-10		-10		-10		-10	μA
IIH			-10		-10		-10		-10	μA
Input Transition Time, T <sub>R</sub> and T <sub>F</sub>			500		500		500		500	ns
C <sub>IO</sub> I/O Capacitance			10		10		10		10	pF
Standby Current, ICC <sup>2</sup>	A40MX02, A40MX04		3		25		10		25	mA
	A42MX09		5		25		25		25	mA
	A42MX16		6		25		25		25	mA
	A42MX24, A42MX36		15		25		25		25	mA
Low-Power Mode Standby Current	42MX devices only		0.5		ICC - 5.0		ICC - 5.0		ICC - 5.0	mA
IIO, I/O source sink current	Can be derived from the <i>IBIS model</i> ( <a href="http://www.microsemi.com/soc/techdocs/models/ibis.html">http://www.microsemi.com/soc/techdocs/models/ibis.html</a> )									

1. Only one output tested at a time. VCC/VCCI = Min.
2. All outputs unloaded. All inputs = VCC/VCCI or GND.

## 3.9 Mixed 5.0 V / 3.3 V Operating Conditions (for 42MX Devices Only)

**Table 20 • Absolute Maximum Ratings\***

Symbol	Parameter	Limits	Units
VCCI	DC Supply Voltage for I/Os	-0.5 to +7.0	V
VCCA	DC Supply Voltage for Array	-0.5 to +7.0	V
VI	Input Voltage	-0.5 to VCCA + 0.5	V
VO	Output Voltage	-0.5 to VCCI + 0.5	V
t <sub>STG</sub>	Storage Temperature	-65 to +150	°C

**Note:** \*Stresses beyond those listed under “Absolute Maximum Ratings” may cause permanent damage to the device. Exposure to absolute maximum rated conditions for extended periods may affect device

reliability. Devices should not be operated outside the recommended operating conditions.

**Table 21 • Recommended Operating Conditions**

Parameter	Commercial	Industrial	Military	Units
Temperature Range*	0 to +70	−40 to +85	−55 to +125	°C
VCCA	4.75 to 5.25	4.5 to 5.5	4.5 to 5.5	V
VCCI	3.14 to 3.47	3.0 to 3.6	3.0 to 3.6	V

**Note:** \*Ambient temperature ( $T_A$ ) is used for commercial and industrial grades; case temperature ( $T_C$ ) is used for military grades.

### 3.9.1 Mixed 5.0V/3.3V Electrical Specifications

**Table 22 • Mixed 5.0V/3.3V Electrical Specifications**

Symbol	Parameter	Commercial		Commercial –F		Industrial		Military		Units
		Min.	Max.	Min.	Max.	Min.	Max.	Min.	Max.	
VOH <sup>1</sup>	IOH = –10 mA	2.4		2.4						V
	IOH = –4 mA					2.4		2.4		V
VOL <sup>1</sup>	IOL = 10 mA	0.5		0.5						V
	IOL = 6 mA					0.4		0.4		V
VIL		–0.3	0.8	–0.3	0.8	–0.3	0.8	–0.3	0.8	V
VIH <sup>2</sup>		2.0	VCCA + 0.3	2.0	VCCA + 0.3	2.0	VCCA + 0.3	2.0	VCCA + 0.3	V
IL	VIN = 0.5 V		–10		–10		–10		–10	μA
IH	VIN = 2.7 V		–10		–10		–10		–10	μA
Input Transition Time, T <sub>R</sub> and T <sub>F</sub>			500		500		500		500	ns
C <sub>IO</sub> I/O Capacitance			10		10		10		10	pF
Standby Current, ICC <sup>3</sup>	A42MX09		5		25		25		25	mA
	A42MX16		6		25		25		25	mA
	A42MX24, A42MX36		20		25		25		25	mA
Low Power Mode Standby Current			0.5		ICC – 5.0		ICC – 5.0		ICC – 5.0	mA

I/O I/O source sink current Can be derived from the *IBIS model* (<http://www.microsemi.com/soc/techdocs/models/ibis.html>)

1. Only one output tested at a time. VCCI = min.
2. VIH(Min) is 2.4V for A42MX36 family. This applies only to VCCI of 5V and is not applicable to VCCI of 3.3V
3. All outputs unloaded. All inputs = VCCI or GND

### 3.9.2 Output Drive Characteristics for 5.0 V PCI Signaling

MX PCI device I/O drivers were designed specifically for high-performance PCI systems. Figure 16, page 30 shows the typical output drive characteristics of the MX devices. MX output drivers are compliant with the PCI Local Bus Specification.

**Table 23 • DC Specification (5.0 V PCI Signaling)<sup>1</sup>**

Symbol	Parameter	Condition	PCI		MX		Units
			Min.	Max.	Min.	Max.	
VCCI	Supply Voltage for I/Os		4.75	5.25	4.75	5.25 <sup>2</sup>	V
VIH <sup>3</sup>	Input High Voltage		2.0	VCC + 0.5	2.0	VCCI + 0.3	V
VIL	Input Low Voltage		–0.5	0.8	–0.3	0.8	V
IIH	Input High Leakage Current	VIN = 2.7 V		70		10	μA
IIL	Input Low Leakage Current	VIN=0.5 V		–70		–10	μA
VOH	Output High Voltage	IOUT = –2 mA IOUT = –6 mA	2.4		3.84		V
VOL	Output Low Voltage	IOUT = 3 mA, 6 mA		0.55		0.33	V

**Table 23 • DC Specification (5.0 V PCI Signaling)<sup>1</sup> (continued)**

Symbol	Parameter	Condition	PCI		MX		Units
			Min.	Max.	Min.	Max.	
C <sub>IN</sub>	Input Pin Capacitance			10		10	pF
C <sub>CLK</sub>	CLK Pin Capacitance		5	12		10	pF
L <sub>PIN</sub>	Pin Inductance			20		< 8 nH <sup>4</sup>	nH

1. PCI Local Bus Specification, Version 2.1, Section 4.2.1.1.
2. Maximum rating for VCCI is -0.5 V to 7.0 V
3. VIH(Min) is 2.4V for A42MX36 family. This applies only to VCCI of 5V and is not applicable to VCCI of 3.3V.
4. Dependent upon the chosen package. PCI recommends QFP and BGA packaging to reduce pin inductance and capacitance.

**Table 24 • AC Specifications (5.0V PCI Signaling)\***

Symbol	Parameter	Condition	PCI	MX		Units		
			Min.	Max.	Min.		Max.	
ICL	Low Clamp Current	$-5 < V_{IN} \leq -1$	$-25 + (V_{IN} + 1) / 0.015$		-60	-10	mA	
Slew (r)	Output Rise Slew Rate	0.4 V to 2.4 V load	1		5	1.8	2.8	V/ns
Slew (f)	Output Fall Slew Rate	2.4 V to 0.4 V load	1		5	2.8	4.3	V/ns

**Note:** \*PCI Local Bus Specification, Version 2.1, Section 4.2.1.2.

### 3.9.3 Output Drive Characteristics for 3.3 V PCI Signaling

**Table 25 • DC Specification (3.3 V PCI Signaling)<sup>1</sup>**

Symbol	Parameter	Condition	PCI		MX		Units
			Min.	Max.	Min.	Max.	
VCCI	Supply Voltage for I/Os		3.0	3.6	3.0	3.6 <sup>2</sup>	V
VIH	Input High Voltage		0.5	VCC + 0.5	0.5	VCCI + 0.3	V
VIL	Input Low Voltage		-0.5	0.8	-0.3	0.8	V
IIH	Input High Leakage Current	VIN = 2.7 V		70		10	μA
IIL	Input Leakage Current			-70		-10	μA
VOH	Output High Voltage	IOUT = -2 mA	0.9		3.3		V
VOL	Output Low Voltage	IOUT = 3 mA, 6 mA		0.1		0.1 VCCI	V
CIN	Input Pin Capacitance			10		10	pF
CCLK	CLK Pin Capacitance		5	12		10	pF
LPIN	Pin Inductance			20		< 8 nH <sup>3</sup>	nH

1. PCI Local Bus Specification, Version 2.1, Section 4.2.2.1.
2. Maximum rating for VCCI is -0.5 V to 7.0V.
3. Dependent upon the chosen package. PCI recommends QFP and BGA packaging to reduce pin inductance and capacitance.

**Table 26 • AC Specifications for (3.3 V PCI Signaling)<sup>\*</sup>**

Symbol	Parameter	Condition	PCI		MX		Units
			Min.	Max.	Min.	Max.	
ICL	Low Clamp Current	$-5 < V_{IN} \leq -1$	$-25 + (V_{IN} + 1) / 0.015$		-60	-10	mA
Slew (r)	Output Rise Slew Rate	0.2 V to 0.6 V load	1	4	1.8	2.8	V/ns
Slew (f)	Output Fall Slew Rate	0.6 V to 0.2 V load	1	4	2.8	4.0	V/ns

**Note:** \*PCI Local Bus Specification, Version 2.1, Section 4.2.2.2.

**Figure 16 • Typical Output Drive Characteristics (Based Upon Measured Data)**



### 3.9.4 Junction Temperature ( $T_J$ )

The temperature variable in the Designer software refers to the junction temperature, not the ambient temperature. This is an important distinction because the heat generated from dynamic power consumption is usually hotter than the ambient temperature. The following equation can be used to calculate junction temperature.

$$\text{Junction Temperature} = \Delta T + T_a(1)$$

EQ 4

where:

- $T_a$  = Ambient Temperature
- $\Delta T$  = Temperature gradient between junction (silicon) and ambient
- $\Delta T = \theta_{ja} * P$  (2)
- $P$  = Power
- $\theta_{ja}$  = Junction to ambient of package.  $\theta_{ja}$  numbers are located in [Table 27](#), page 31.

### 3.9.5 Package Thermal Characteristics

The device junction-to-case thermal characteristic is  $\theta_{jc}$ , and the junction-to-ambient air characteristic is  $\theta_{ja}$ . The thermal characteristics for  $\theta_{ja}$  are shown with two different air flow rates.

The maximum junction temperature is 150°C.

Maximum power dissipation for commercial- and industrial-grade devices is a function of  $\theta_{ja}$ .

A sample calculation of the absolute maximum power dissipation allowed for a TQ176 package at commercial temperature and still air is given in the following equation

$$\text{MaximumPowerAllowed} = \frac{\text{Max} \cdot \text{junction temp} \cdot (^\circ\text{C}) - \text{Max} \cdot \text{ambient temp} \cdot (^\circ\text{C})}{\theta_{ja} (^\circ\text{C}/\text{W})} = \frac{150^\circ\text{C} - 70^\circ\text{C}}{(28^\circ\text{C})/\text{W}} = 2.86\text{W}$$

EQ 5

The maximum power dissipation for military-grade devices is a function of  $\theta_{jc}$ . A sample calculation of the absolute maximum power dissipation allowed for CQFP 208-pin package at military temperature and still air is given in the following equation

$$\text{MaximumPowerAllowed} = \frac{\text{Max} \cdot \text{junction temp} \cdot (^\circ\text{C}) - \text{Max} \cdot \text{ambient temp} \cdot (^\circ\text{C})}{\theta_{jc} (^\circ\text{C}/\text{W})} = \frac{150^\circ\text{C} - 125^\circ\text{C}}{(6.3^\circ\text{C})/\text{W}} = 3.97\text{W}$$

EQ 6

**Table 27 • Package Thermal Characteristics**

Plastic Packages	Pin Count	$\theta_{jc}$	$\theta_{ja}$			Units
			Still Air	1.0 m/s 200 ft/min.	2.5 m/s 500 ft/min.	
Plastic Quad Flat Pack	100	12.0	27.8	23.4	21.2	$^\circ\text{C}/\text{W}$
Plastic Quad Flat Pack	144	10.0	26.2	22.8	21.1	$^\circ\text{C}/\text{W}$
Plastic Quad Flat Pack	160	10.0	26.2	22.8	21.1	$^\circ\text{C}/\text{W}$
Plastic Quad Flat Pack	208	8.0	26.1	22.5	20.8	$^\circ\text{C}/\text{W}$
Plastic Quad Flat Pack	240	8.5	25.6	22.3	20.8	$^\circ\text{C}/\text{W}$
Plastic Leaded Chip Carrier	44	16.0	20.0	24.5	22.0	$^\circ\text{C}/\text{W}$
Plastic Leaded Chip Carrier	68	13.0	25.0	21.0	19.4	$^\circ\text{C}/\text{W}$
Plastic Leaded Chip Carrier	84	12.0	22.5	18.9	17.6	$^\circ\text{C}/\text{W}$
Thin Plastic Quad Flat Pack	176	11.0	24.7	19.9	18.0	$^\circ\text{C}/\text{W}$
Very Thin Plastic Quad Flat Pack	80	12.0	38.2	31.9	29.4	$^\circ\text{C}/\text{W}$
Very Thin Plastic Quad Flat Pack	100	10.0	35.3	29.4	27.1	$^\circ\text{C}/\text{W}$
Plastic Ball Grid Array	272	3.0	18.3	14.9	13.9	$^\circ\text{C}/\text{W}$
<b>Ceramic Packages</b>						
Ceramic Pin Grid Array	132	4.8	25.0	20.6	18.7	$^\circ\text{C}/\text{W}$
Ceramic Quad Flat Pack	208	2.0	22.0	19.8	18.0	$^\circ\text{C}/\text{W}$
Ceramic Quad Flat Pack	256	2.0	20.0	16.5	15.0	$^\circ\text{C}/\text{W}$

## 3.10 Timing Models

The following figures show various timing models.

**Figure 17 • 40MX Timing Model\***



**Note:** Values are shown for 40MX –3 speed grade devices at 5.0 V worst-case commercial conditions.

**Figure 18 • 42MX Timing Model**



**Note:** 1. Input module predicted routing delay

**Note:** 2. Values are shown for A42MX09 –3 speed grade devices at 5.0 V worst-case commercial conditions.

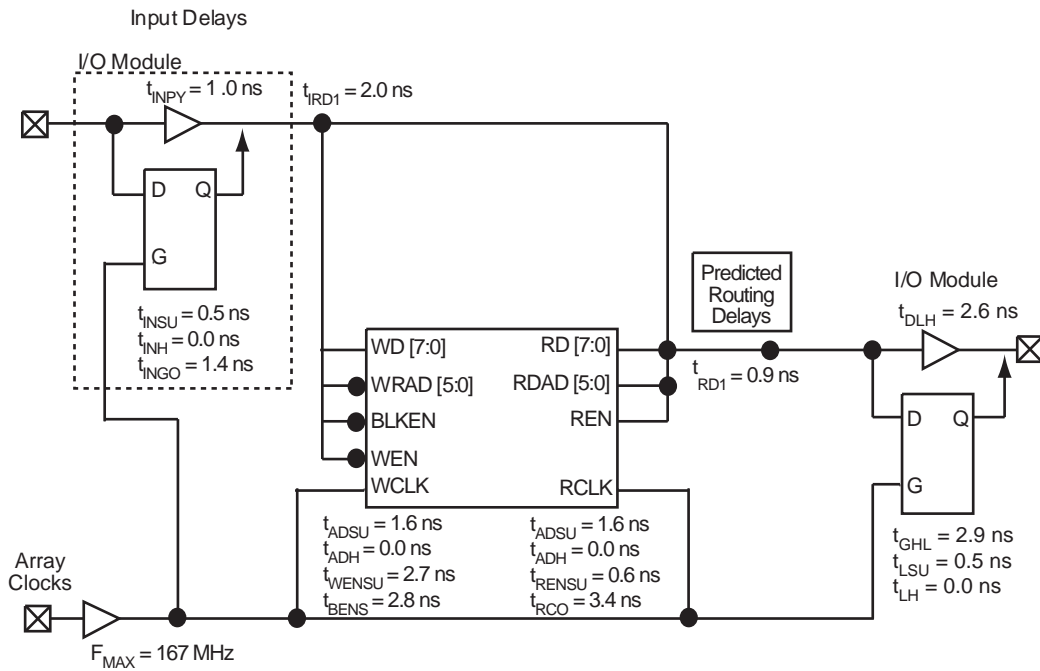
**Figure 19 • 42MX Timing Model (Logic Functions Using Quadrant Clocks)**



**Note:** 1. Load-dependent

**Note:** 2. Values are shown for A42MX36 –3 speed grade devices at 5.0 V worst-case commercial conditions

**Figure 20 • 42MX Timing Model (SRAM Functions)**



**Note:** Values are shown for A42MX36 -3 speed grade devices at 5.0 V worst-case commercial conditions.

### 3.10.1 Parameter Measurement

The following figures show parameter measurement details.

**Figure 21 • Output Buffer Delays**



**Figure 22 • AC Test Loads**



**Figure 23 • Input Buffer Delays**



**Figure 24 • Module Delays**



### 3.10.2 Sequential Module Timing Characteristics

The following figure shows sequential module timing characteristics.

Figure 25 • Flip-Flops and Latches



**Note:** \*D represents all data functions involving A, B, and S for multiplexed flip-flops.

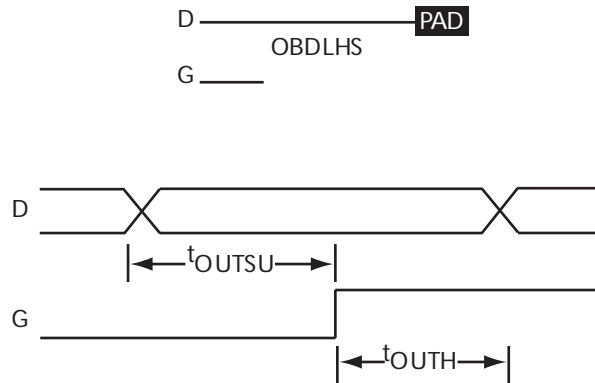
### 3.10.3 Sequential Timing Characteristics

The following figures show sequential timing characteristics.

Figure 26 • Input Buffer Latches



**Figure 27 • Output Buffer Latches**



### 3.10.4 Decode Module Timing

The following figure shows decode module timing.

**Figure 28 • Decode Module Timing**



### 3.10.5 SRAM Timing Characteristics

The following figure shows SRAM timing characteristics.

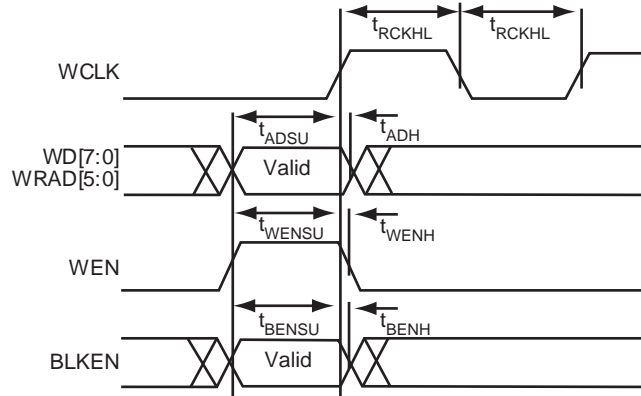
**Figure 29 • SRAM Timing Characteristics**



### 3.10.6 Dual-Port SRAM Timing Waveforms

The following figures show dual-port SRAM timing waveforms.

**Figure 30 • 42MX SRAM Write Operation**



**Note:** Identical timing for falling edge clock

**Figure 31 • 42MX SRAM Synchronous Read Operation**



**Note:** Identical timing for falling edge clock

**Figure 32 • 42MX SRAM Asynchronous Read Operation—Type 1 (Read Address Controlled)**



**Figure 33 • 42MX SRAM Asynchronous Read Operation—Type 2 (Write Address Controlled)**


### 3.10.7 Predictable Performance: Tight Delay Distributions

Propagation delay between logic modules depends on the resistive and capacitive loading of the routing tracks, the interconnect elements, and the module inputs being driven. Propagation delay increases as the length of routing tracks, the number of interconnect elements, or the number of inputs increases.

From a design perspective, the propagation delay can be statistically correlated or modeled by the fanout (number of loads) driven by a module. Higher fanout usually requires some paths to have longer routing tracks.

The MX FPGAs deliver a tight fanout delay distribution, which is achieved in two ways: by decreasing the delay of the interconnect elements and by decreasing the number of interconnect elements per path.

Microsemi's patented antifuse offers a very low resistive/capacitive interconnect. The antifuses, fabricated in 0.45  $\mu\text{m}$  lithography, offer nominal levels of 100  $\Omega$  resistance and 7.0 fF capacitance per antifuse.

MX fanout distribution is also tight due to the low number of antifuses required for each interconnect path. The proprietary architecture limits the number of antifuses per path to a maximum of four, with 90 percent of interconnects using only two antifuses.

## 3.11 Timing Characteristics

Device timing characteristics fall into three categories: family-dependent, device-dependent, and design-dependent. The input and output buffer characteristics are common to all MX devices. Internal routing delays are device-dependent; actual delays are not determined until after place-and-route of the user's design is complete. Delay values may then be determined by using the Designer software utility or by performing simulation with post-layout delays.

### 3.11.1 Critical Nets and Typical Nets

Propagation delays are expressed only for typical nets, which are used for initial design performance evaluation. Critical net delays can then be applied to the most timing critical paths. Critical nets are determined by net property assignment in Microsemi's Designer software prior to placement and routing. Up to 6% of the nets in a design may be designated as critical.

### 3.11.2 Long Tracks

Some nets in the design use long tracks, which are special routing resources that span multiple rows, columns, or modules. Long tracks employ three and sometimes four antifuse connections, which increase capacitance and resistance, resulting in longer net delays for macros connected to long tracks. Typically, up to 6 percent of nets in a fully utilized device require long tracks. Long tracks add approximately a 3 ns to a 6 ns delay, which is represented statistically in higher fanout (FO=8) routing delays in the data sheet specifications section, shown in [Table 34](#), page 43.

### 3.11.3 Timing Derating

MX devices are manufactured with a CMOS process. Therefore, device performance varies according to temperature, voltage, and process changes. Minimum timing parameters reflect maximum operating voltage, minimum operating temperature and best-case processing. Maximum timing parameters reflect minimum operating voltage, maximum operating temperature and worst-case processing.

### 3.11.4 Temperature and Voltage Derating Factors

The following tables and figures show temperature and voltage derating factors for 40MX and 42MX FPGAs.

**Table 28 • 42MX Temperature and Voltage Derating Factors (Normalized to  $T_J = 25^\circ\text{C}$ ,  $V_{CCA} = 5.0\text{ V}$ )**

42MX Voltage	Temperature						
	$-55^\circ\text{C}$	$-40^\circ\text{C}$	$0^\circ\text{C}$	$25^\circ\text{C}$	$70^\circ\text{C}$	$85^\circ\text{C}$	$125^\circ\text{C}$
4.50	0.93	0.95	1.05	1.09	1.25	1.29	1.41
4.75	0.88	0.90	1.00	1.03	1.18	1.22	1.34
5.00	0.85	0.87	0.96	1.00	1.15	1.18	1.29
5.25	0.84	0.86	0.95	0.97	1.12	1.14	1.28
5.50	0.83	0.85	0.94	0.96	1.10	1.13	1.26

**Figure 34 • 42MX Junction Temperature and Voltage Derating Curves (Normalized to  $T_J = 25^\circ\text{C}$ ,  $V_{CCA} = 5.0\text{ V}$ )**

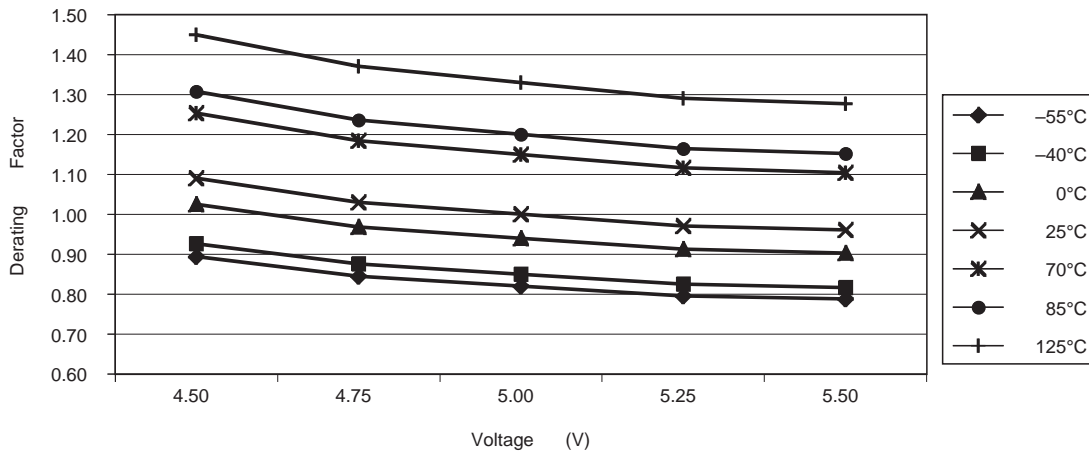


**Note:** This derating factor applies to all routing and propagation delays

**Table 29 • 40MX Temperature and Voltage Derating Factors(Normalized to TJ = 25°C, VCC = 5.0 V)**

40MX Voltage	Temperature						
	-55°C	-40°C	0°C	25°C	70°C	85°C	125°C
4.50	0.89	0.93	1.02	1.09	1.25	1.31	1.45
4.75	0.84	0.88	0.97	1.03	1.18	1.24	1.37
5.00	0.82	0.85	0.94	1.00	1.15	1.20	1.33
5.25	0.80	0.82	0.91	0.97	1.12	1.16	1.29
5.50	0.79	0.82	0.90	0.96	1.10	1.15	1.28

**Figure 35 • 40MX Junction Temperature and Voltage Derating Curves (Normalized to TJ = 25°C, VCC = 5.0 V)**



**Note:** This derating factor applies to all routing and propagation delays

**Table 30 • 42MX Temperature and Voltage Derating Factors(Normalized to TJ = 25°C, VCCA = 3.3 V)**

42MX Voltage	Temperature						
	-55°C	-40°C	0°C	25°C	70°C	85°C	125°C
3.00	0.97	1.00	1.10	1.15	1.32	1.36	1.45
3.30	0.84	0.87	0.96	1.00	1.15	1.18	1.26
3.60	0.81	0.84	0.92	0.96	1.10	1.13	1.21

**Figure 36 • 42MX Junction Temperature and Voltage Derating Curves (Normalized to TJ = 25°C, VCCA = 3.3 V)**



**Note:** This derating factor applies to all routing and propagation delays

**Table 31 • 40MX Temperature and Voltage Derating Factors (Normalized to TJ = 25°C, VCC = 3.3 V)**

40MX Voltage	Temperature						
	-55°C	-40°C	0°C	25°C	70°C	85°C	125°C
3.00	1.08	1.12	1.21	1.26	1.50	1.64	2.00
3.30	0.86	0.89	0.96	1.00	1.19	1.30	1.59
3.60	0.83	0.85	0.92	0.96	1.14	1.25	1.53

**Figure 37 • 40MX Junction Temperature and Voltage Derating Curves (Normalized to TJ = 25°C, VCC = 3.3 V)**



**Note:** This derating factor applies to all routing and propagation delays

### 3.11.5 PCI System Timing Specification

The following tables list the critical PCI timing parameters and the corresponding timing parameters for the MX PCI-compliant devices.

### 3.11.6 PCI Models

Microsemi provides synthesizable VHDL(VHSIC Hardware Description Language) and Verilog-HDL models for a PCI Target interface, a PCI Target and Target+DMA Master interface. Contact the Microsemi sales representative for more details.

**Table 32 • Clock Specification for 33 MHz PCI**

Symbol	Parameter	PCI		A42MX24		A42MX36		Units
		Min.	Max.	Min.	Max.	Min.	Max.	
t <sub>CYC</sub>	CLK Cycle Time	30		4.0		4.0		ns
t <sub>HIGH</sub>	CLK High Time	11		1.9		1.9		ns
t <sub>LOW</sub>	CLK Low Time	11		1.9		1.9		ns

**Table 33 • Timing Parameters for 33 MHz PCI**

Symbol	Parameter	PCI		A42MX24		A42MX36		Units
		Min.	Max.	Min.	Max.	Min.	Max.	
t <sub>VAL</sub>	CLK to Signal Valid—Bused Signals	2	11	2.0	9.0	2.0	9.0	ns
t <sub>VAL(PTP)</sub>	CLK to Signal Valid—Point-to-Point	2 <sup>2</sup>	12	2.0	9.0	2.0	9.0	ns
t <sub>ON</sub>	Float to Active	2		2.0	4.0	2.0	4.0	ns
t <sub>OFF</sub>	Active to Float		28		8.3 <sup>1</sup>		8.3 <sup>1</sup>	ns
t <sub>SU</sub>	Input Set-Up Time to CLK—Bused Signals	7		1.5		1.5		ns
t <sub>SU(PTP)</sub>	Input Set-Up Time to CLK—Point-to-Point	10, 12 <sup>2</sup>		1.5		1.5		ns
t <sub>H</sub>	Input Hold to CLK	0		0		0		ns

1. TOFF is system dependent. MX PCI devices have 7.4 ns turn-off time, reflection is typically an additional 10 ns.
2. REQ# and GNT# are point-to-point signals and have different output valid delay and input setup times than do bussed signals. GNT# has a setup of 10; REW# has a setup of 12.

#### 3.11.6.1 Timing Characteristics

The following tables list the timing characteristics.

**Table 34 • A40MX02 Timing Characteristics (Nominal 5.0 V Operation)  
(Worst-Case Commercial Conditions, VCC = 4.75 V, T<sub>J</sub> = 70°C)**

Parameter / Description	-3 Speed		-2 Speed		-1 Speed		Std Speed		-F Speed		Units	
	Min.	Max.	Min.	Max.	Min.	Max.	Min.	Max.	Min.	Max.		
<b>Logic Module Propagation Delays</b>												
t <sub>PD1</sub>	Single Module		1.2		1.4		1.6		1.9		2.7	ns
t <sub>PD2</sub>	Dual-Module Macros		2.7		3.1		3.5		4.1		5.7	ns
t <sub>CO</sub>	Sequential Clock-to-Q		1.2		1.4		1.6		1.9		2.7	ns
t <sub>GO</sub>	Latch G-to-Q		1.2		1.4		1.6		1.9		2.7	ns
t <sub>RS</sub>	Flip-Flop (Latch) Reset-to-Q		1.2		1.4		1.6		1.9		2.7	ns
<b>Logic Module Predicted Routing Delays<sup>1</sup></b>												

**Table 34 • A40MX02 Timing Characteristics (Nominal 5.0 V Operation)**  
**(Worst-Case Commercial Conditions, VCC = 4.75 V, T<sub>J</sub> = 70°C) (continued)**

Parameter / Description	-3 Speed		-2 Speed		-1 Speed		Std Speed		-F Speed		Units
	Min.	Max.	Min.	Max.	Min.	Max.	Min.	Max.	Min.	Max.	
t <sub>RD1</sub> FO = 1 Routing Delay		1.3		1.5		1.7		2.0		2.8	ns
t <sub>RD2</sub> FO = 2 Routing Delay		1.8		2.1		2.4		2.8		3.9	ns
t <sub>RD3</sub> FO = 3 Routing Delay		2.3		2.7		3.0		3.6		5.0	ns
t <sub>RD4</sub> FO = 4 Routing Delay		2.9		3.3		3.7		4.4		6.1	ns
t <sub>RD8</sub> FO = 8 Routing Delay		4.9		5.7		6.5		7.6		10.6	ns
<b>Logic Module Sequential Timing<sup>2</sup></b>											
t <sub>SUD</sub> Flip-Flop (Latch) Data Input Set-Up		3.1		3.5		4.0		4.7		6.6	ns
t <sub>HD</sub> <sup>3</sup> Flip-Flop (Latch) Data Input Hold		0.0		0.0		0.0		0.0		0.0	ns
t <sub>SUEN A</sub> Flip-Flop (Latch) Enable Set-Up		3.1		3.5		4.0		4.7		6.6	ns
t <sub>HENA</sub> Flip-Flop (Latch) Enable Hold		0.0		0.0		0.0		0.0		0.0	ns
t <sub>WCL KA</sub> Flip-Flop (Latch) Clock Active Pulse Width		3.3		3.8		4.3		5.0		7.0	ns
t <sub>WAS YN</sub> Flip-Flop (Latch) Asynchronous Pulse Width		3.3		3.8		4.3		5.0		7.0	ns
t <sub>A</sub> Flip-Flop Clock Input Period		4.8		5.6		6.3		7.5		10.4	ns
f <sub>MAX</sub> Flip-Flop (Latch) Clock Frequency (FO = 128)		181		168		154		134		80	MHz
<b>Input Module Propagation Delays</b>											
t <sub>INYH</sub> Pad-to-Y HIGH		0.7		0.8		0.9		1.1		1.5	ns
t <sub>INYL</sub> Pad-to-Y LOW		0.6		0.7		0.8		1.0		1.3	ns
<b>Input Module Predicted Routing Delays<sup>1</sup></b>											
t <sub>IRD1</sub> FO = 1 Routing Delay		2.1		2.4		2.2		3.2		4.5	ns
t <sub>IRD2</sub> FO = 2 Routing Delay		2.6		3.0		3.4		4.0		5.6	ns
t <sub>IRD3</sub> FO = 3 Routing Delay		3.1		3.6		4.1		4.8		6.7	ns
t <sub>IRD4</sub> FO = 4 Routing Delay		3.6		4.2		4.8		5.6		7.8	ns
t <sub>IRD8</sub> FO = 8 Routing Delay		5.7		6.6		7.5		8.8		12.4	ns
<b>Global Clock Network</b>											
t <sub>CKH</sub> Input Low to HIGH	FO = 16	4.6		5.3		6.0		7.0		9.8	ns
	FO = 128	4.6		5.3		6.0		7.0		9.8	ns
t <sub>CKL</sub> Input High to LOW	FO = 16	4.8		5.6		6.3		7.4		10.4	ns
	FO = 128	4.8		5.6		6.3		7.4		10.4	ns
t <sub>PWH</sub> Minimum Pulse Width HIGH	FO = 16	2.2		2.6		2.9		3.4		4.8	ns
	FO = 128	2.4		2.7		3.1		3.6		5.1	ns
t <sub>PWL</sub> Minimum Pulse Width LOW	FO = 16	2.2		2.6		2.9		3.4		4.8	ns
	FO = 128	2.4		2.7		3.01		3.6		5.1	ns

**Table 34 • A40MX02 Timing Characteristics (Nominal 5.0 V Operation)**  
(Worst-Case Commercial Conditions, VCC = 4.75 V, T<sub>J</sub> = 70°C) (continued)

Parameter / Description	-3 Speed		-2 Speed		-1 Speed		Std Speed		-F Speed		Units
	Min.	Max.	Min.	Max.	Min.	Max.	Min.	Max.	Min.	Max.	
t <sub>CKS</sub> w	Maximum Skew	FO = 16 FO = 128	0.4 0.5	0.5 0.6	0.5 0.7	0.6 0.8	0.8 1.2				ns
t <sub>P</sub>	Minimum Period	FO = 16 FO = 128	4.7 4.8	5.4 5.6	6.1 6.3	7.2 7.5	10.0 10.4				ns
f <sub>MAX</sub>	Maximum Frequency	FO = 16 FO = 128	188 181	175 168	160 154	139 134	83 80				MHz
<b>TTL Output Module Timing<sup>4</sup></b>											
t <sub>DLH</sub>	Data-to-Pad HIGH		3.3	3.8	4.3	5.1	7.2				ns
t <sub>DHL</sub>	Data-to-Pad LOW		4.0	4.6	5.2	6.1	8.6				ns
t <sub>ENZH</sub>	Enable Pad Z to HIGH		3.7	4.3	4.9	5.8	8.0				ns
t <sub>ENZL</sub>	Enable Pad Z to LOW		4.7	5.4	6.1	7.2	10.1				ns
t <sub>ENHZ</sub>	Enable Pad HIGH to Z		7.9	9.1	10.4	12.2	17.1				ns
t <sub>ENLZ</sub>	Enable Pad LOW to Z		5.9	6.8	7.7	9.0	12.6				ns
d <sub>TLH</sub>	Delta LOW to HIGH		0.02	0.02	0.03	0.03	0.04				ns/pF
d <sub>THL</sub>	Delta HIGH to LOW		0.03	0.03	0.03	0.04	0.06				ns/pF
<b>CMOS Output Module Timing<sup>4</sup></b>											
t <sub>DLH</sub>	Data-to-Pad HIGH		3.9	4.5	5.1	6.05	8.5				ns
t <sub>DHL</sub>	Data-to-Pad LOW		3.4	3.9	4.4	5.2	7.3				ns
t <sub>ENZH</sub>	Enable Pad Z to HIGH		3.4	3.9	4.4	5.2	7.3				ns
t <sub>ENZL</sub>	Enable Pad Z to LOW		4.9	5.6	6.4	7.5	10.5				ns
t <sub>ENHZ</sub>	Enable Pad HIGH to Z		7.9	9.1	10.4	12.2	17.0				ns
t <sub>ENLZ</sub>	Enable Pad LOW to Z		5.9	6.8	7.7	9.0	12.6				ns
d <sub>TLH</sub>	Delta LOW to HIGH		0.03	0.04	0.04	0.05	0.07				ns/pF
d <sub>THL</sub>	Delta HIGH to LOW		0.02	0.02	0.03	0.03	0.04				ns/pF

1. Routing delays are for typical designs across worst-case operating conditions. These parameters should be used for estimating device performance. Post-route timing analysis or simulation is required to determine actual performance
2. Set-up times assume fanout of 3. Further testing information can be obtained from the Timer utility
3. The hold time for the DFME1A macro may be greater than 0 ns. Use the Timer tool from the Designer software to check the hold time for this macro.
4. Delays based on 35pF loading

**Table 35 • A40MX02 Timing Characteristics (Nominal 3.3 V Operation)**  
(Worst-Case Commercial Conditions, VCC = 3.0 V, T<sub>J</sub> = 70°C)

Parameter / Description	-3 Speed		-2 Speed		-1 Speed		Std Speed		-F Speed		Units
	Min.	Max.	Min.	Max.	Min.	Max.	Min.	Max.	Min.	Max.	
<b>Logic Module Propagation Delays</b>											
t <sub>PD1</sub>	Single Module		1.7	2.0	2.3	2.7	3.7				ns

**Table 35 • A40MX02 Timing Characteristics (Nominal 3.3 V Operation)**  
**(Worst-Case Commercial Conditions, VCC = 3.0 V, T<sub>J</sub> = 70°C) (continued)**

Parameter / Description	-3 Speed		-2 Speed		-1 Speed		Std Speed		-F Speed		Units
	Min.	Max.	Min.	Max.	Min.	Max.	Min.	Max.	Min.	Max.	
t <sub>PD2</sub> Dual-Module Macros		3.7		4.3		4.9		5.7		8.0	ns
t <sub>CO</sub> Sequential Clock-to-Q		1.7		2.0		2.3		2.7		3.7	ns
t <sub>GO</sub> Latch G-to-Q		1.7		2.0		2.3		2.7		3.7	ns
t <sub>RS</sub> Flip-Flop (Latch) Reset-to-Q		1.7		2.0		2.3		2.7		3.7	ns
<b>Logic Module Predicted Routing Delays<sup>1</sup></b>											
t <sub>RD1</sub> FO = 1 Routing Delay		2.0		2.2		2.5		3.0		4.2	ns
t <sub>RD2</sub> FO = 2 Routing Delay		2.7		3.1		3.5		4.1		5.7	ns
t <sub>RD3</sub> FO = 3 Routing Delay		3.4		3.9		4.4		5.2		7.3	ns
t <sub>RD4</sub> FO = 4 Routing Delay		4.2		4.8		5.4		6.3		8.9	ns
t <sub>RD8</sub> FO = 8 Routing Delay		7.1		8.2		9.2		10.9		15.2	ns
<b>Logic Module Sequential Timing<sup>2</sup></b>											
t <sub>SUD</sub> Flip-Flop (Latch) Data Input Set-Up	4.3		4.9		5.6		6.6		9.2		ns
t <sub>HD</sub> <sup>3</sup> Flip-Flop (Latch) Data Input Hold	0.0		0.0		0.0		0.0		0.0		ns
t <sub>SUENA</sub> Flip-Flop (Latch) Enable Set-Up	4.3		4.9		5.6		6.6		9.2		ns
t <sub>HENA</sub> Flip-Flop (Latch) Enable Hold	0.0		0.0		0.0		0.0		0.0		ns
t <sub>WCLKA</sub> Flip-Flop (Latch) Clock Active Pulse Width	4.6		5.3		6.0		7.0		9.8		ns
t <sub>WASYN</sub> Flip-Flop (Latch) Asynchronous Pulse Width	4.6		5.3		6.0		7.0		9.8		ns
t <sub>A</sub> Flip-Flop Clock Input Period	6.8		7.8		8.9		10.4		14.6		ns
f <sub>MAX</sub> Flip-Flop (Latch) Clock Frequency (FO = 128)		109		101		92		80		48	MHz
<b>Input Module Propagation Delays</b>											
t <sub>INYH</sub> Pad-to-Y HIGH		1.0		1.1		1.3		1.5		2.1	ns
t <sub>INYL</sub> Pad-to-Y LOW		0.9		1.0		1.1		1.3		1.9	ns
<b>Input Module Predicted Routing Delays<sup>1</sup></b>											
t <sub>IRD1</sub> FO = 1 Routing Delay		2.9		3.4		3.8		4.5		6.3	ns
t <sub>IRD2</sub> FO = 2 Routing Delay		3.6		4.2		4.8		5.6		7.8	ns
t <sub>IRD3</sub> FO = 3 Routing Delay		4.4		5.0		5.7		6.7		9.4	ns
t <sub>IRD4</sub> FO = 4 Routing Delay		5.1		5.9		6.7		7.8		11.0	ns
t <sub>IRD8</sub> FO = 8 Routing Delay		8.0		9.26		10.5		12.6		17.3	ns
<b>Global Clock Network</b>											
t <sub>CKH</sub> Input LOW to HIGH	FO = 16	6.4	FO =	7.4	8.3	9.8	13.7	ns			
	128	6.4		7.4	8.3	9.8	13.7				

**Table 35 • A40MX02 Timing Characteristics (Nominal 3.3 V Operation)**  
**(Worst-Case Commercial Conditions, VCC = 3.0 V, T<sub>J</sub> = 70°C) (continued)**

Parameter / Description		-3 Speed		-2 Speed		-1 Speed		Std Speed		-F Speed		Units
		Min.	Max.	Min.	Max.	Min.	Max.	Min.	Max.	Min.	Max.	
t <sub>CKL</sub>	Input HIGH to LOW	FO = 16	6.7	7.8	8.8	10.4	14.5	ns				
		FO = 128	6.7	7.8	8.8	10.4	14.5					
t <sub>PWH</sub>	Minimum Pulse Width HIGH	FO = 16	3.1	3.6	4.1	4.8	6.7	ns				
		FO = 128	3.3	3.8	4.3	5.1	7.1					
t <sub>PWL</sub>	Minimum Pulse Width LOW	FO = 16	3.1	3.6	4.1	4.8	6.7	ns				
		FO = 128	3.3	3.8	4.3	5.1	7.1					
t <sub>CKSW</sub>	Maximum Skew	FO = 16	0.6	0.6	0.7	0.8	1.2	ns				
		FO = 128	0.8	0.9	1.0	1.2	1.6					
t <sub>p</sub>	Minimum Period	FO = 16	6.5	7.5	8.5	10.1	14.1	ns				
		FO = 128	6.8	7.8	8.9	10.4	14.6					
f <sub>MAX</sub>	Maximum Frequency	FO = 16	113	105	96	83	50	MHz				
		FO = 128	109	101	92	80	48					
<b>TTL Output Module Timing<sup>4</sup></b>												
t <sub>DLH</sub>	Data-to-Pad HIGH		4.7	5.4	6.1	7.2	10.0	ns				
t <sub>DHL</sub>	Data-to-Pad LOW		5.6	6.4	7.3	8.6	12.0	ns				
t <sub>ENZH</sub>	Enable Pad Z to HIGH		5.2	6.0	6.8	8.1	11.3	ns				
t <sub>ENZL</sub>	Enable Pad Z to LOW		6.6	7.6	8.6	10.1	14.1	ns				
t <sub>ENHZ</sub>	Enable Pad HIGH to Z		11.1	12.8	14.5	17.1	23.9	ns				
t <sub>ENLZ</sub>	Enable Pad LOW to Z		8.2	9.5	10.7	12.6	17.7	ns				
d <sub>TLH</sub>	Delta LOW to HIGH		0.03	0.03	0.04	0.04	0.06	ns/pF				
d <sub>THL</sub>	Delta HIGH to LOW		0.04	0.04	0.05	0.06	0.08	ns/pF				

**Table 35 • A40MX02 Timing Characteristics (Nominal 3.3 V Operation)**  
(Worst-Case Commercial Conditions, VCC = 3.0 V, T<sub>J</sub> = 70°C) (continued)

Parameter / Description	-3 Speed		-2 Speed		-1 Speed		Std Speed		-F Speed		Units
	Min.	Max.	Min.	Max.	Min.	Max.	Min.	Max.	Min.	Max.	
<b>CMOS Output Module Timing<sup>4</sup></b>											
t <sub>DLH</sub> Data-to-Pad HIGH		5.5		6.4		7.2		8.5		11.9	ns
t <sub>DHL</sub> Data-to-Pad LOW		4.8		5.5		6.2		7.3		10.2	ns
t <sub>ENZH</sub> Enable Pad Z to HIGH		4.7		5.5		6.2		7.3		10.2	ns
t <sub>ENZL</sub> Enable Pad Z to LOW		6.8		7.9		8.9		10.5		14.7	ns
t <sub>ENHZ</sub> Enable Pad HIGH to Z		11.1		12.8		14.5		17.1		23.9	ns
t <sub>ENLZ</sub> Enable Pad LOW to Z		8.2		9.5		10.7		12.6		17.7	ns
d <sub>TLH</sub> Delta LOW to HIGH		0.05		0.05		0.06		0.07		0.10	ns/pF
d <sub>THL</sub> Delta HIGH to LOW		0.03		0.03		0.04		0.04		0.06	ns/pF

1. Routing delays are for typical designs across worst-case operating conditions. These parameters should be used for estimating device performance. Post-route timing analysis or simulation is required to determine actual performance.
2. Set-up times assume fanout of 3. Further testing information can be obtained from the Timer utility.
3. The hold time for the DFME1A macro may be greater than 0 ns. Use the Timer tool from the Designer software to check the hold time for this macro
4. Delays based on 35 pF loading

**Table 36 • A40MX04 Timing Characteristics (Nominal 5.0 V Operation)**  
(Worst-Case Commercial Conditions, VCC = 4.75 V, T<sub>J</sub> = 70°C)

Parameter / Description	-3 Speed		-2 Speed		-1 Speed		Std Speed		-F Speed		Units
	Min.	Max.	Min.	Max.	Min.	Max.	Min.	Max.	Min.	Max.	
<b>Logic Module Propagation Delays</b>											
t <sub>PD1</sub> Single Module		1.2		1.4		1.6		1.9		2.7	ns
t <sub>PD2</sub> Dual-Module Macros		2.3		3.1		3.5		4.1		5.7	ns
t <sub>CO</sub> Sequential Clock-to-Q		1.2		1.4		1.6		1.9		2.7	ns
t <sub>GO</sub> Latch G-to-Q		1.2		1.4		1.6		1.9		2.7	ns
t <sub>RS</sub> Flip-Flop (Latch) Reset-to-Q		1.2		1.4		1.6		1.9		2.7	ns
<b>Logic Module Predicted Routing Delays<sup>1</sup></b>											
t <sub>RD1</sub> FO = 1 Routing Delay		1.2		1.6		1.8		2.1		3.0	ns
t <sub>RD2</sub> FO = 2 Routing Delay		1.9		2.2		2.5		2.9		4.1	ns
t <sub>RD3</sub> FO = 3 Routing Delay		2.4		2.8		3.2		3.7		5.2	ns
t <sub>RD4</sub> FO = 4 Routing Delay		2.9		3.4		3.9		4.5		6.3	ns
t <sub>RD8</sub> FO = 8 Routing Delay		5.0		5.8		6.6		7.8		10.9	ns
<b>Logic Module Sequential Timing<sup>2</sup></b>											
t <sub>SUD</sub> Flip-Flop (Latch) Data Input Set-Up		3.1		3.5		4.0		4.7		6.6	ns
t <sub>HD</sub> <sup>3</sup> Flip-Flop (Latch) Data Input Hold		0.0		0.0		0.0		0.0		0.0	ns

**Table 36 • A40MX04 Timing Characteristics (Nominal 5.0 V Operation)  
(Worst-Case Commercial Conditions, VCC = 4.75 V, T<sub>J</sub> = 70°C) (continued)**

Parameter / Description	–3 Speed		–2 Speed		–1 Speed		Std Speed		–F Speed		Units
	Min.	Max.	Min.	Max.	Min.	Max.	Min.	Max.	Min.	Max.	
t <sub>SUENA</sub> Flip-Flop (Latch) Enable Set-Up	3.1		3.5		4.0		4.7		6.6		ns
t <sub>HENA</sub> Flip-Flop (Latch) Enable Hold	0.0		0.0		0.0		0.0		0.0		ns
t <sub>WCLKA</sub> Flip-Flop (Latch) Clock Active Pulse Width	3.3		3.8		4.3		5.0		7.0		ns
t <sub>WASYN</sub> Flip-Flop (Latch) Asynchronous Pulse Width	3.3		3.8		4.3		5.0		7.0		ns
t <sub>A</sub> Flip-Flop Clock Input Period	4.8		5.6		6.3		7.5		10.4		ns
f <sub>MAX</sub> Flip-Flop (Latch) Clock Frequency (FO = 128)		181		167		154		134		80	MHz
<b>Input Module Propagation Delays</b>											
t <sub>INYH</sub> Pad-to-Y HIGH		0.7		0.8		0.9		1.1		1.5	ns
t <sub>INYL</sub> Pad-to-Y LOW		0.6		0.7		0.8		1.0		1.3	ns
<b>Input Module Predicted Routing Delays<sup>1</sup></b>											
t <sub>IRD1</sub> FO = 1 Routing Delay		2.1		2.4		2.2		3.2		4.5	ns
t <sub>IRD2</sub> FO = 2 Routing Delay		2.6		3.0		3.4		4.0		5.6	ns
t <sub>IRD3</sub> FO = 3 Routing Delay		3.1		3.6		4.1		4.8		6.7	ns
t <sub>IRD4</sub> FO = 4 Routing Delay		3.6		4.2		4.8		5.6		7.8	ns
t <sub>IRD8</sub> FO = 8 Routing Delay		5.7		6.6		7.5		8.8		12.4	ns
<b>Global Clock Network</b>											
t <sub>CKH</sub> Input Low to HIGH	FO = 16	4.6		5.3		6.0		7.0		9.8	ns
	FO = 128	4.6		5.3		6.0		7.0		9.8	
t <sub>CKL</sub> Input High to LOW	FO = 16	4.8		5.6		6.3		7.4		10.4	ns
	FO = 128	4.8		5.6		6.3		7.4		10.4	
t <sub>PWH</sub> Minimum Pulse Width HIGH	FO = 16	2.2	2.6	2.9	3.4	4.8					ns
	FO = 128	2.4	2.7	3.1	3.6	5.1					
t <sub>PWL</sub> Minimum Pulse Width LOW	FO = 16	2.2	2.6	2.9	3.4	4.8					ns
	FO = 128	2.4	2.7	3.01	3.6	5.1					
t <sub>CKSW</sub> Maximum Skew	FO = 16	0.4	0.5	0.5	0.6	0.8					ns
	FO = 128	0.5	0.6	0.7	0.8	1.2					
t <sub>P</sub> Minimum Period	FO = 16	4.7	5.4	6.1	7.2	10.0					ns
	FO = 128	4.8	5.6	6.3	7.5	10.4					
f <sub>MAX</sub> Maximum Frequency	FO = 16	188	175	160	139	83					MHz
	FO = 128	181	168	154	134	80					
<b>TTL Output Module Timing<sup>4</sup></b>											
t <sub>DLH</sub> Data-to-Pad HIGH		3.3		3.8		4.3		5.1		7.2	ns
t <sub>DHL</sub> Data-to-Pad LOW		4.0		4.6		5.2		6.1		8.6	ns
t <sub>ENZH</sub> Enable Pad Z to HIGH		3.7		4.3		4.9		5.8		8.0	ns

**Table 36 • A40MX04 Timing Characteristics (Nominal 5.0 V Operation)  
 (Worst-Case Commercial Conditions, VCC = 4.75 V, T<sub>J</sub> = 70°C) (continued)**

Parameter / Description	-3 Speed		-2 Speed		-1 Speed		Std Speed		-F Speed		Units
	Min.	Max.	Min.	Max.	Min.	Max.	Min.	Max.	Min.	Max.	
t <sub>ENZL</sub> Enable Pad Z to LOW		4.7		5.4		6.1		7.2		10.1	ns
t <sub>ENHZ</sub> Enable Pad HIGH to Z		7.9		9.1		10.4		12.2		17.1	ns
t <sub>ENLZ</sub> Enable Pad LOW to Z		5.9		6.8		7.7		9.0		12.6	ns
d <sub>TLH</sub> Delta LOW to HIGH		0.02		0.02		0.03		0.03		0.04	ns/pF
d <sub>THL</sub> Delta HIGH to LOW		0.03		0.03		0.03		0.04		0.06	ns/pF

**Table 36 • A40MX04 Timing Characteristics (Nominal 5.0 V Operation)**  
(Worst-Case Commercial Conditions, VCC = 4.75 V, T<sub>J</sub> = 70°C) (continued)

Parameter / Description	–3 Speed		–2 Speed		–1 Speed		Std Speed		–F Speed		Units
	Min.	Max.	Min.	Max.	Min.	Max.	Min.	Max.	Min.	Max.	
<b>CMOS Output Module Timing<sup>1</sup></b>											
t <sub>DLH</sub>	Data-to-Pad HIGH	3.9	4.5	5.1	6.05	8.5	ns				
t <sub>DHL</sub>	Data-to-Pad LOW	3.4	3.9	4.4	5.2	7.3	ns				
t <sub>ENZH</sub>	Enable Pad Z to HIGH	3.4	3.9	4.4	5.2	7.3	ns				
t <sub>ENZL</sub>	Enable Pad Z to LOW	4.9	5.6	6.4	7.5	10.5	ns				
t <sub>ENHZ</sub>	Enable Pad HIGH to Z	7.9	9.1	10.4	12.2	17.0	ns				
t <sub>ENLZ</sub>	Enable Pad LOW to Z	5.9	6.8	7.7	9.0	12.6	ns				
d <sub>TLH</sub>	Delta LOW to HIGH	0.03	0.04	0.04	0.05	0.07	ns/pF				
d <sub>THL</sub>	Delta HIGH to LOW	0.02	0.02	0.03	0.03	0.04	ns/pF				

1. Routing delays are for typical designs across worst-case operating conditions. These parameters should be used for estimating device performance. Post-route timing analysis or simulation is required to determine actual performance.
2. Set-up times assume fanout of 3. Further testing information can be obtained from the Timer utility
3. The hold time for the DFME1A macro may be greater than 0 ns. Use the Timer utility from the Designer software to check the hold time for this macro.
4. Delays based on 35 pF loading

**Table 37 • A40MX04 Timing Characteristics (Nominal 3.3 V Operation)**  
(Worst-Case Commercial Conditions, VCC = 3.0 V, T<sub>J</sub> = 70°C)

Parameter / Description	–3 Speed		–2 Speed		–1 Speed		Std Speed		–F Speed		Units
	Min.	Max.	Min.	Max.	Min.	Max.	Min.	Max.	Min.	Max.	
<b>Logic Module Propagation Delays</b>											
t <sub>PD1</sub>	Single Module	1.7	2.0	2.3	2.7	3.7	ns				
t <sub>PD2</sub>	Dual-Module Macros	3.7	4.3	4.9	5.7	8.0	ns				
t <sub>CO</sub>	Sequential Clock-to-Q	1.7	2.0	2.3	2.7	3.7	ns				
t <sub>GO</sub>	Latch G-to-Q	1.7	2.0	2.3	2.7	3.7	ns				
t <sub>RS</sub>	Flip-Flop (Latch) Reset-to-Q	1.7	2.0	2.3	2.7	3.7	ns				
<b>Logic Module Predicted Routing Delays<sup>1</sup></b>											
t <sub>RD1</sub>	FO = 1 Routing Delay	1.9	2.2	2.5	3.0	4.2	ns				
t <sub>RD2</sub>	FO = 2 Routing Delay	2.7	3.1	3.5	4.1	5.7	ns				
t <sub>RD3</sub>	FO = 3 Routing Delay	3.4	3.9	4.4	5.2	7.3	ns				
t <sub>RD4</sub>	FO = 4 Routing Delay	4.1	4.8	5.4	6.3	8.9	ns				
t <sub>RD8</sub>	FO = 8 Routing Delay	7.1	8.1	9.2	10.9	15.2	ns				
<b>Logic Module Sequential Timing<sup>2</sup></b>											
t <sub>SUD</sub>	Flip-Flop (Latch) Data Input Set-Up	4.3	5.0	5.6	6.6	9.2	ns				
t <sub>HD</sub> <sup>3</sup>	Flip-Flop (Latch) Data Input Hold	0.0	0.0	0.0	0.0	0.0	ns				
t <sub>SUENA</sub>	Flip-Flop (Latch) Enable Set-Up	4.3	5.0	5.6	6.6	9.2	ns				

**Table 37 • A40MX04 Timing Characteristics (Nominal 3.3 V Operation)**  
**(Worst-Case Commercial Conditions, VCC = 3.0 V, T<sub>J</sub> = 70°C) (continued)**

Parameter / Description	-3 Speed		-2 Speed		-1 Speed		Std Speed		-F Speed		Units
	Min.	Max.	Min.	Max.	Min.	Max.	Min.	Max.	Min.	Max.	
t <sub>HENA</sub> Flip-Flop (Latch) Enable Hold	0.0		0.0		0.0		0.0		0.0		ns
t <sub>WCLKA</sub> Flip-Flop (Latch) Clock Active Pulse Width	4.6		5.3		5.6		7.0		9.8		ns
t <sub>WASYN</sub> Flip-Flop (Latch) Asynchronous Pulse Width	4.6		5.3		5.6		7.0		9.8		ns
t <sub>A</sub> Flip-Flop Clock Input Period	6.8		7.8		8.9		10.4		14.6		ns
f <sub>MAX</sub> Flip-Flop (Latch) Clock Frequency (FO = 128)		109		101		92		80		48	MHz
<b>Input Module Propagation Delays</b>											
t <sub>INYH</sub> Pad-to-Y HIGH		1.0		1.1		1.3		1.5		2.1	ns
t <sub>INYL</sub> Pad-to-Y LOW		0.9		1.0		1.1		1.3		1.9	ns

**Table 37 • A40MX04 Timing Characteristics (Nominal 3.3 V Operation)**  
**(Worst-Case Commercial Conditions, VCC = 3.0 V, T<sub>J</sub> = 70°C) (continued)**

Parameter / Description		-3 Speed		-2 Speed		-1 Speed		Std Speed		-F Speed		Units
		Min.	Max.	Min.	Max.	Min.	Max.	Min.	Max.	Min.	Max.	
<b>Input Module Predicted Routing Delays<sup>1</sup></b>												
t <sub>IRD1</sub>	FO = 1 Routing Delay		2.9	3.3	3.8	4.5	6.3	ns				
t <sub>IRD2</sub>	FO = 2 Routing Delay		3.6	4.2	4.8	5.6	7.8	ns				
t <sub>IRD3</sub>	FO = 3 Routing Delay		4.4	5.0	5.7	6.7	9.4	ns				
t <sub>IRD4</sub>	FO = 4 Routing Delay		5.1	5.9	6.7	7.8	11.0	ns				
t <sub>IRD8</sub>	FO = 8 Routing Delay		8.0	9.3	10.5	12.4	17.2	ns				
<b>Global Clock Network</b>												
t <sub>CKH</sub>	Input LOW to HIGH	FO = 16	6.4	7.4	8.4	9.9	13.8	ns				
		FO = 128	6.4	7.4	8.4	9.9	13.8					
t <sub>CKL</sub>	Input HIGH to LOW	FO = 16	6.8	7.8	8.9	10.4	14.6	ns				
		FO = 128	6.8	7.8	8.9	10.4	14.6					
t <sub>PWH</sub>	Minimum Pulse Width HIGH	FO = 16	3.1	3.6	4.1	4.8	6.7	ns				
		FO = 128	3.3	3.8	4.3	5.1	7.1					
t <sub>PWL</sub>	Minimum Pulse Width LOW	FO = 16	3.1	3.6	4.1	4.8	6.7	ns				
		FO = 128	3.3	3.8	4.3	5.1	7.1					
t <sub>CKSW</sub>	Maximum Skew	FO = 16	0.6	0.6	0.7	0.8	1.2	ns				
		FO = 128	0.8	0.9	1.0	1.2	1.6					
t <sub>P</sub>	Minimum Period	FO = 16	6.5	7.5	8.5	10.1	14.1	ns				
		FO = 128	6.8	7.8	8.9	10.4	14.6					
f <sub>MAX</sub>	Maximum Frequency	FO = 16	113	105	96	83	50	MHz				
		FO = 128	109	101	92	80	48					
<b>TTL Output Module Timing<sup>4</sup></b>												
t <sub>DLH</sub>	Data-to-Pad HIGH		4.7	5.4	6.1	7.2	10.0	ns				
t <sub>DHL</sub>	Data-to-Pad LOW		5.6	6.4	7.3	8.6	12.0	ns				
t <sub>ENZH</sub>	Enable Pad Z to HIGH		5.2	6.0	6.9	8.1	11.3	ns				
t <sub>ENZL</sub>	Enable Pad Z to LOW		6.6	7.6	8.6	10.1	14.1	ns				
t <sub>ENHZ</sub>	Enable Pad HIGH to Z		11.1	12.8	14.5	17.1	23.9	ns				
t <sub>ENLZ</sub>	Enable Pad LOW to Z		8.2	9.5	10.7	12.6	17.7	ns				
d <sub>TLH</sub>	Delta LOW to HIGH		0.03	0.03	0.04	0.04	0.06	ns/pF				
d <sub>THL</sub>	Delta HIGH to LOW		0.04	0.04	0.05	0.06	0.08	ns/pF				

**Table 37 • A40MX04 Timing Characteristics (Nominal 3.3 V Operation)**  
(Worst-Case Commercial Conditions, VCC = 3.0 V, T<sub>J</sub> = 70°C) (continued)

Parameter / Description	-3 Speed		-2 Speed		-1 Speed		Std Speed		-F Speed		Units
	Min.	Max.	Min.	Max.	Min.	Max.	Min.	Max.	Min.	Max.	
<b>CMOS Output Module Timing<sup>4</sup></b>											
t <sub>DLH</sub>	Data-to-Pad HIGH	5.5	6.4	7.2	8.5	11.9	ns				
t <sub>DHL</sub>	Data-to-Pad LOW	4.8	5.5	6.2	7.3	10.2	ns				
t <sub>ENZH</sub>	Enable Pad Z to HIGH	4.7	5.5	6.2	7.3	10.2	ns				
t <sub>ENZL</sub>	Enable Pad Z to LOW	6.8	7.9	8.9	10.5	14.7	ns				
t <sub>ENHZ</sub>	Enable Pad HIGH to Z	11.1	12.8	14.5	17.1	23.9	ns				
t <sub>ENLZ</sub>	Enable Pad LOW to Z	8.2	9.5	10.7	12.6	17.7	ns				
d <sub>TLH</sub>	Delta LOW to HIGH	0.05	0.05	0.06	0.07	0.10	ns/pF				
d <sub>THL</sub>	Delta HIGH to LOW	0.03	0.03	0.04	0.04	0.06	ns/pF				

1. Routing delays are for typical designs across worst-case operating conditions. These parameters should be used for estimating device performance. Post-route timing analysis or simulation is required to determine actual performance.
2. Set-up times assume fanout of 3. Further testing information can be obtained from the Timer utility.
3. The hold time for the DFME1A macro may be greater than 0 ns. Use the Timer tool from the Designer software to check the hold time for this macro.
4. Delays based on 35 pF loading.

**Table 38 • A42MX09 Timing Characteristics (Nominal 5.0 V Operation)**  
(Worst-Case Commercial Conditions, VCCA = 4.75 V, T<sub>J</sub> = 70°C)

Parameter / Description	-3 Speed		-2 Speed		-1 Speed		Std Speed		-F Speed		Units
	Min.	Max.	Min.	Max.	Min.	Max.	Min.	Max.	Min.	Max.	
<b>Logic Module Propagation Delays<sup>1</sup></b>											
t <sub>PD1</sub>	Single Module	1.2	1.3	1.5	1.8	2.5	ns				
t <sub>CO</sub>	Sequential Clock-to-Q	1.3	1.4	1.6	1.9	2.7	ns				
t <sub>GO</sub>	Latch G-to-Q	1.2	1.4	1.6	1.8	2.6	ns				
t <sub>RS</sub>	Flip-Flop (Latch) Reset-to-Q	1.2	1.6	1.8	2.1	2.9	ns				
<b>Logic Module Predicted Routing Delays<sup>2</sup></b>											
t <sub>RD1</sub>	FO = 1 Routing Delay	0.7	0.8	0.9	1.0	1.4	ns				
t <sub>RD2</sub>	FO = 2 Routing Delay	0.9	1.0	1.2	1.4	1.9	ns				
t <sub>RD3</sub>	FO = 3 Routing Delay	1.2	1.3	1.5	1.7	2.4	ns				
t <sub>RD4</sub>	FO = 4 Routing Delay	1.4	1.5	1.7	2.0	2.9	ns				
t <sub>RD8</sub>	FO = 8 Routing Delay	2.3	2.6	2.9	3.4	4.8	ns				
<b>Logic Module Sequential Timing<sup>3, 4</sup></b>											
t <sub>SUD</sub>	Flip-Flop (Latch) Data Input Set-Up	0.3	0.4	0.4	0.5	0.7	ns				
t <sub>HD</sub>	Flip-Flop (Latch) Data Input Hold	0.0	0.0	0.0	0.0	0.0	ns				
t <sub>SUENA</sub>	Flip-Flop (Latch) Enable Set-Up	0.4	0.5	0.5	0.6	0.8	ns				
t <sub>HENA</sub>	Flip-Flop (Latch) Enable Hold	0.0	0.0	0.0	0.0	0.0	ns				
t <sub>WCLKA</sub>	Flip-Flop (Latch) Clock Active Pulse Width	3.4	3.8	4.3	5.0	7.0	ns				

**Table 38 • A42MX09 Timing Characteristics (Nominal 5.0 V Operation)**  
**(Worst-Case Commercial Conditions, VCCA = 4.75 V, T<sub>J</sub> = 70°C) (continued)**

Parameter / Description	-3 Speed		-2 Speed		-1 Speed		Std Speed		-F Speed		Units
	Min.	Max.	Min.	Max.	Min.	Max.	Min.	Max.	Min.	Max.	
t <sub>WASYN</sub> Flip-Flop (Latch) Asynchronous Pulse Width	4.5		4.9		5.6		6.6		9.2		ns
t <sub>A</sub> Flip-Flop Clock Input Period	3.5		3.8		4.3		5.1		7.1		ns
t <sub>INH</sub> Input Buffer Latch Hold	0.0		0.0		0.0		0.0		0.0		ns
t <sub>INSU</sub> Input Buffer Latch Set-Up	0.3		0.3		0.4		0.4		0.6		ns
t <sub>OUTH</sub> Output Buffer Latch Hold	0.0		0.0		0.0		0.0		0.0		ns
t <sub>OUTSU</sub> Output Buffer Latch Set-Up	0.3		0.3		0.4		0.4		0.6		ns
f <sub>MAX</sub> Flip-Flop (Latch) Clock Frequency		268		244		224		195		117	MHz

**Table 38 • A42MX09 Timing Characteristics (Nominal 5.0 V Operation)**  
**(Worst-Case Commercial Conditions, VCCA = 4.75 V, T<sub>J</sub> = 70°C) (continued)**

Parameter / Description		-3 Speed		-2 Speed		-1 Speed		Std Speed		-F Speed		Units
		Min.	Max.	Min.	Max.	Min.	Max.	Min.	Max.	Min.	Max.	
<b>Input Module Propagation Delays</b>												
t <sub>INYH</sub>	Pad-to-Y HIGH		1.0		1.2		1.3		1.6		2.2	ns
t <sub>INYL</sub>	Pad-to-Y LOW		0.8		0.9		1.0		1.2		1.7	ns
t <sub>INGH</sub>	G to Y HIGH		1.3		1.4		1.6		1.9		2.7	ns
t <sub>INGL</sub>	G to Y LOW		1.3		1.4		1.6		1.9		2.7	ns
<b>Input Module Predicted Routing Delays<sup>2</sup></b>												
t <sub>IRD1</sub>	FO = 1 Routing Delay		2.0		2.2		2.5		3.0		4.2	ns
t <sub>IRD2</sub>	FO = 2 Routing Delay		2.3		2.5		2.9		3.4		4.7	ns
t <sub>IRD3</sub>	FO = 3 Routing Delay		2.5		2.8		3.2		3.7		5.2	ns
t <sub>IRD4</sub>	FO = 4 Routing Delay		2.8		3.1		3.5		4.1		5.7	ns
t <sub>IRD8</sub>	FO = 8 Routing Delay		3.7		4.1		4.7		5.5		7.7	ns
<b>Global Clock Network</b>												
t <sub>CKH</sub>	Input LOW to HIGH	FO = 32	2.4		2.7		3.0		3.6		5.0	ns
		FO = 256	2.7		3.0		3.4		4.0		5.5	ns
t <sub>CKL</sub>	Input HIGH to LOW	FO = 32	3.5		3.9		4.4		5.2		7.3	ns
		FO = 256	3.9		4.3		4.9		5.7		8.0	ns
t <sub>PWH</sub>	Minimum Pulse Width HIGH	FO = 32	1.2		1.4		1.5		1.8		2.5	ns
		FO = 256	1.3		1.5		1.7		2.0		2.7	ns
t <sub>PWL</sub>	Minimum Pulse Width LOW	FO = 32	1.2		1.4		1.5		1.8		2.5	ns
		FO = 256	1.3		1.5		1.7		2.0		2.7	ns
t <sub>CKSW</sub>	Maximum Skew	FO = 32	0.3		0.3		0.4		0.5		0.6	ns
		FO = 256	0.3		0.3		0.4		0.5		0.6	ns
t <sub>SUEXT</sub>	Input Latch External Set-Up	FO = 32	0.0		0.0		0.0		0.0		0.0	ns
		FO = 256	0.0		0.0		0.0		0.0		0.0	ns
t <sub>HEXT</sub>	Input Latch External Hold	FO = 32	2.3		2.6		3.0		3.5		4.9	ns
		FO = 256	2.2		2.4		3.3		3.9		5.5	ns
t <sub>P</sub>	Minimum Period	FO = 32	3.4		3.7		4.0		4.7		7.8	ns
		FO = 256	3.7		4.1		4.5		5.2		8.6	ns
f <sub>MAX</sub>	Maximum Frequency	FO = 32	296		269		247		215		129	MHz
		FO = 256	268		244		224		195		117	MHz

**Table 38 • A42MX09 Timing Characteristics (Nominal 5.0 V Operation)**  
**(Worst-Case Commercial Conditions, VCCA = 4.75 V, T<sub>J</sub> = 70°C) (continued)**

Parameter / Description	-3 Speed		-2 Speed		-1 Speed		Std Speed		-F Speed		Units
	Min.	Max.	Min.	Max.	Min.	Max.	Min.	Max.	Min.	Max.	
<b>TTL Output Module Timing<sup>5</sup></b>											
t <sub>DLH</sub>	Data-to-Pad HIGH	2.5	2.7	3.1	3.6	5.1	ns				
t <sub>DHL</sub>	Data-to-Pad LOW	2.9	3.2	3.6	4.3	6.0	ns				
t <sub>ENZH</sub>	Enable Pad Z to HIGH	2.6	2.9	3.3	3.9	5.5	ns				
t <sub>ENZL</sub>	Enable Pad Z to LOW	2.9	3.2	3.7	4.3	6.1	ns				
t <sub>ENHZ</sub>	Enable Pad HIGH to Z	4.9	5.4	6.2	7.3	10.2	ns				
t <sub>ENLZ</sub>	Enable Pad LOW to Z	5.3	5.9	6.7	7.9	11.1	ns				
t <sub>GLH</sub>	G-to-Pad HIGH	2.6	2.9	3.3	3.8	5.3	ns				
t <sub>GHL</sub>	G-to-Pad LOW	2.6	2.9	3.3	3.8	5.3	ns				
t <sub>LSU</sub>	I/O Latch Set-Up	0.5	0.5	0.6	0.7	1.0	ns				
t <sub>LH</sub>	I/O Latch Hold	0.0	0.0	0.0	0.0	0.0	ns				
t <sub>LCO</sub>	I/O Latch Clock-to-Out (Pad-to-Pad), 64 Clock Loading	5.2	5.8	6.6	7.7	10.8	ns				
t <sub>ACO</sub>	Array Clock-to-Out (Pad-to-Pad), 64 Clock Loading	7.4	8.2	9.3	10.9	15.3	ns				
d <sub>TLH</sub>	Capacity Loading, LOW to HIGH	0.03	0.03	0.03	0.04	0.06	ns/pF				
d <sub>THL</sub>	Capacity Loading, HIGH to LOW	0.04	0.04	0.04	0.05	0.07	ns/pF				

**Table 38 • A42MX09 Timing Characteristics (Nominal 5.0 V Operation)**  
**(Worst-Case Commercial Conditions, VCCA = 4.75 V, T<sub>J</sub> = 70°C) (continued)**

Parameter / Description	-3 Speed		-2 Speed		-1 Speed		Std Speed		-F Speed		Units
	Min.	Max.	Min.	Max.	Min.	Max.	Min.	Max.	Min.	Max.	
<b>CMOS Output Module Timing<sup>5</sup></b>											
t <sub>DLH</sub>	Data-to-Pad HIGH	2.4	2.7	3.1	3.6	5.1	ns				
t <sub>DHL</sub>	Data-to-Pad LOW	2.9	3.2	3.6	4.3	6.0	ns				
t <sub>ENZH</sub>	Enable Pad Z to HIGH	2.7	2.9	3.3	3.9	5.5	ns				
t <sub>ENZL</sub>	Enable Pad Z to LOW	2.9	3.2	3.7	4.3	6.1	ns				
t <sub>ENHZ</sub>	Enable Pad HIGH to Z	4.9	5.4	6.2	7.3	10.2	ns				
t <sub>ENLZ</sub>	Enable Pad LOW to Z	5.3	5.9	6.7	7.9	11.1	ns				
t <sub>GLH</sub>	G-to-Pad HIGH	4.2	4.6	5.2	6.1	8.6	ns				
t <sub>GHL</sub>	G-to-Pad LOW	4.2	4.6	5.2	6.1	8.6	ns				
t <sub>LSU</sub>	I/O Latch Set-Up	0.5	0.5	0.6	0.7	1.0	ns				
t <sub>LH</sub>	I/O Latch Hold	0.0	0.0	0.0	0.0	0.0	ns				
t <sub>LCO</sub>	I/O Latch Clock-to-Out (Pad-to-Pad), 64 Clock Loading	5.2	5.8	6.6	7.7	10.8	ns				
t <sub>ACO</sub>	Array Clock-to-Out ( Pad-to-Pad), 64 Clock Loading	7.4	8.2	9.3	10.9	15.3	ns				
d <sub>TLH</sub>	Capacity Loading, LOW to HIGH	0.03	0.03	0.03	0.04	0.06	ns/pF				
d <sub>THL</sub>	Capacity Loading, HIGH to LOW	0.04	0.04	0.04	0.05	0.07	ns/pF				

1. For dual-module macros, use t<sub>PD1</sub> + t<sub>RD1</sub> + t<sub>PDn</sub>, t<sub>CO</sub> + t<sub>RD1</sub> + t<sub>PDn</sub>, or t<sub>PD1</sub> + t<sub>RD1</sub> + t<sub>SUD</sub>, whichever is appropriate.
2. Routing delays are for typical designs across worst-case operating conditions. These parameters should be used for estimating device performance. Post-route timing analysis or simulation is required to determine actual performance.
3. Data applies to macros based on the S-module. Timing parameters for sequential macros constructed from C-modules can be obtained from the Timer utility.
4. Set-up and hold timing parameters for the input buffer latch are defined with respect to the PAD and the D input. External setup/hold timing parameters must account for delay from an external PAD signal to the G inputs. Delay from an external PAD signal to the G input subtracts (adds) to the internal setup (hold) time.
5. Delays based on 35 pF loading

**Table 39 • A42MX09 Timing Characteristics (Nominal 3.3 V Operation)**  
**(Worst-Case Commercial Conditions, VCCA = 3.0 V, T<sub>J</sub> = 70°C)**

Parameter / Description	-3 Speed		-2 Speed		-1 Speed		Std Speed		-F Speed		Units
	Min.	Max.	Min.	Max.	Min.	Max.	Min.	Max.	Min.	Max.	
<b>Logic Module Propagation Delays<sup>1</sup></b>											
t <sub>PD1</sub>	Single Module	1.6	1.8	2.1	2.5	3.5	ns				
t <sub>CO</sub>	Sequential Clock-to-Q	1.8	2.0	2.3	2.7	3.8	ns				
t <sub>GO</sub>	Latch G-to-Q	1.7	1.9	2.1	2.5	3.5	ns				
t <sub>RS</sub>	Flip-Flop (Latch) Reset-to-Q	2.0	2.2	2.5	2.9	4.1	ns				
<b>Logic Module Predicted Routing Delays<sup>2</sup></b>											
t <sub>RD1</sub>	FO = 1 Routing Delay	1.0	1.1	1.2	1.4	2.0	ns				
t <sub>RD2</sub>	FO = 2 Routing Delay	1.3	1.4	1.6	1.9	2.7	ns				
t <sub>RD3</sub>	FO = 3 Routing Delay	1.6	1.8	2.0	2.4	3.3	ns				

**Table 39 • A42MX09 Timing Characteristics (Nominal 3.3 V Operation)**  
**(Worst-Case Commercial Conditions, VCCA = 3.0 V, T<sub>J</sub> = 70°C) (continued)**

Parameter / Description	-3 Speed		-2 Speed		-1 Speed		Std Speed		-F Speed		Units
	Min.	Max.	Min.	Max.	Min.	Max.	Min.	Max.	Min.	Max.	
t <sub>RD4</sub> FO = 4 Routing Delay	1.9		2.1		2.4		2.9		4.0		ns
t <sub>RD8</sub> FO = 8 Routing Delay	3.2		3.6		4.1		4.8		6.7		ns
<b>Logic Module Sequential Timing<sup>3, 4</sup></b>											
t <sub>SUD</sub> Flip-Flop (Latch) Data Input Set-Up	0.5		0.5		0.6		0.7		0.9		ns
t <sub>HD</sub> Flip-Flop (Latch) Data Input Hold	0.0		0.0		0.0		0.0		0.0		ns
t <sub>SUENA</sub> Flip-Flop (Latch) Enable Set-Up	0.6		0.6		0.7		0.8		1.2		ns
t <sub>HENA</sub> Flip-Flop (Latch) Enable Hold	0.0		0.0		0.0		0.0		0.0		ns
t <sub>WCLKA</sub> Flip-Flop (Latch) Clock Active Pulse Width	4.7		5.3		6.0		7.0		9.8		ns
t <sub>WASYN</sub> Flip-Flop (Latch) Asynchronous Pulse Width	6.2		6.9		7.8		9.2		12.9		ns
t <sub>A</sub> Flip-Flop Clock Input Period	5.0		5.6		6.2		7.1		9.9		ns
t <sub>INH</sub> Input Buffer Latch Hold	0.0		0.0		0.0		0.0		0.0		ns
t <sub>INSU</sub> Input Buffer Latch Set-Up	0.3		0.3		0.3		0.4		0.6		ns
t <sub>OUTH</sub> Output Buffer Latch Hold	0.0		0.0		0.0		0.0		0.0		ns
t <sub>OUTSU</sub> Output Buffer Latch Set-Up	0.3		0.3		0.3		0.4		0.6		ns
f <sub>MAX</sub> Flip-Flop (Latch) Clock Frequency	161		146		135		117		70		MHz

**Table 39 • A42MX09 Timing Characteristics (Nominal 3.3 V Operation)**  
**(Worst-Case Commercial Conditions, VCCA = 3.0 V, T<sub>J</sub> = 70°C) (continued)**

Parameter / Description			-3 Speed		-2 Speed		-1 Speed		Std Speed		-F Speed		Units
			Min.	Max.	Min.	Max.	Min.	Max.	Min.	Max.	Min.	Max.	
<b>Input Module Propagation Delays</b>													
t <sub>INYH</sub>	Pad-to-Y HIGH		1.5	1.6	1.8	2.17	3.0	ns					
t <sub>INYL</sub>	Pad-to-Y LOW		1.2	1.3	1.4	1.7	2.4	ns					
t <sub>INGH</sub>	G to Y HIGH		1.8	2.0	2.3	2.7	3.7	ns					
t <sub>INGL</sub>	G to Y LOW		1.8	2.0	2.3	2.7	3.7	ns					
<b>Input Module Predicted Routing Delays<sup>2</sup></b>													
t <sub>IRD1</sub>	FO = 1 Routing Delay		2.8	3.2	3.6	4.2	5.9	ns					
t <sub>IRD2</sub>	FO = 2 Routing Delay		3.2	3.5	4.0	4.7	6.6	ns					
t <sub>IRD3</sub>	FO = 3 Routing Delay		3.5	3.9	4.4	5.2	7.3	ns					
t <sub>IRD4</sub>	FO = 4 Routing Delay		3.9	4.3	4.9	5.7	8.0	ns					
t <sub>IRD8</sub>	FO = 8 Routing Delay		5.2	5.8	6.6	7.7	10.8	ns					
<b>Global Clock Network</b>													
t <sub>CKH</sub>	Input LOW to HIGH	FO = 32	4.1	4.5	5.1	6.0	8.4	ns					
		FO = 256	4.5	5.0	5.6	6.7	9.3	ns					
t <sub>CKL</sub>	Input HIGH to LOW	FO = 32	5.0	5.5	6.2	7.3	10.2	ns					
		FO = 256	5.4	6.0	6.8	8.0	11.2	ns					
t <sub>PWH</sub>	Minimum Pulse Width HIGH	FO = 32	1.7	1.9	2.1	2.5	3.5	ns					
		FO = 256	1.9	2.1	2.3	2.7	3.8	ns					
t <sub>PWL</sub>	Minimum Pulse Width LOW	FO = 32	1.7	1.9	2.1	2.5	3.5	ns					
		FO = 256	1.9	2.1	2.3	2.7	3.8	ns					
t <sub>CKSW</sub>	Maximum Skew	FO = 32	0.4	0.5	0.5	0.6	0.9	ns					
		FO = 256	0.4	0.5	0.5	0.6	0.9	ns					
t <sub>SUEXT</sub>	Input Latch External Set-Up	FO = 32	0.0	0.0	0.0	0.0	0.0	ns					
		FO = 256	0.0	0.0	0.0	0.0	0.0	ns					
t <sub>HEXT</sub>	Input Latch External Hold	FO = 32	3.3	3.7	4.2	4.9	6.9	ns					
		FO = 256	3.7	4.1	4.6	5.5	7.6	ns					
t <sub>P</sub>	Minimum Period	FO = 32	5.6	6.2	6.7	7.8	12.9	ns					
		FO = 256	6.1	6.8	7.4	8.5	14.2	ns					
f <sub>MAX</sub>	Maximum Frequency	FO = 32	177	161	148	129	77	MHz					
		FO = 256	161	146	135	117	70	MHz					

**Table 39 • A42MX09 Timing Characteristics (Nominal 3.3 V Operation)**  
**(Worst-Case Commercial Conditions, VCCA = 3.0 V, T<sub>J</sub> = 70°C) (continued)**

Parameter / Description	-3 Speed		-2 Speed		-1 Speed		Std Speed		-F Speed		Units
	Min.	Max.	Min.	Max.	Min.	Max.	Min.	Max.	Min.	Max.	
<b>TTL Output Module Timing<sup>5</sup></b>											
t <sub>DLH</sub>	Data-to-Pad HIGH	3.4	3.8	4.3	5.1	7.1	ns				
t <sub>DHL</sub>	Data-to-Pad LOW	4.0	4.5	5.1	6.1	8.3	ns				
t <sub>ENZH</sub>	Enable Pad Z to HIGH	3.7	4.1	4.6	5.5	7.6	ns				
t <sub>ENZL</sub>	Enable Pad Z to LOW	4.1	4.5	5.1	6.1	8.5	ns				
t <sub>ENHZ</sub>	Enable Pad HIGH to Z	6.9	7.6	8.6	10.2	14.2	ns				
t <sub>ENLZ</sub>	Enable Pad LOW to Z	7.5	8.3	9.4	11.1	15.5	ns				
t <sub>GLH</sub>	G-to-Pad HIGH	5.8	6.5	7.3	8.6	12.0	ns				
t <sub>GHL</sub>	G-to-Pad LOW	5.8	6.5	7.3	8.6	12.0	ns				
t <sub>LSU</sub>	I/O Latch Set-Up	0.7	0.8	0.9	1.0	1.4	ns				
t <sub>LH</sub>	I/O Latch Hold	0.0	0.0	0.0	0.0	0.0	ns				
t <sub>LCO</sub>	I/O Latch Clock-to-Out (Pad-to-Pad), 64 Clock Loading	8.7	9.7	10.9	12.9	18.0	ns				
t <sub>ACO</sub>	Array Clock-to-Out (Pad-to-Pad), 64 Clock Loading	12.2	13.5	15.4	18.1	25.3	ns				
d <sub>TLH</sub>	Capacity Loading, LOW to HIGH	0.00	0.00	0.00	0.10	0.01	ns/pF				
d <sub>THL</sub>	Capacity Loading, HIGH to LOW	0.09	0.10	0.10	0.10	0.10	ns/pF				

**Table 39 • A42MX09 Timing Characteristics (Nominal 3.3 V Operation)**  
(Worst-Case Commercial Conditions, VCCA = 3.0 V, T<sub>J</sub> = 70°C) (continued)

Parameter / Description	-3 Speed		-2 Speed		-1 Speed		Std Speed		-F Speed		Units
	Min.	Max.	Min.	Max.	Min.	Max.	Min.	Max.	Min.	Max.	
<b>CMOS Output Module Timing<sup>5</sup></b>											
t <sub>DLH</sub>	Data-to-Pad HIGH	3.4	3.8	5.5	6.4	9.0	ns				
t <sub>DHL</sub>	Data-to-Pad LOW	4.1	4.5	4.2	5.0	7.0	ns				
t <sub>ENZH</sub>	Enable Pad Z to HIGH	3.7	4.1	4.6	5.5	7.6	ns				
t <sub>ENZL</sub>	Enable Pad Z to LOW	4.1	4.5	5.1	6.1	8.5	ns				
t <sub>ENHZ</sub>	Enable Pad HIGH to Z	6.9	7.6	8.6	10.2	14.2	ns				
t <sub>ENLZ</sub>	Enable Pad LOW to Z	7.5	8.3	9.4	11.1	15.5	ns				
t <sub>GLH</sub>	G-to-Pad HIGH	5.8	6.5	7.3	8.6	12.0	ns				
t <sub>GHL</sub>	G-to-Pad LOW	5.8	6.5	7.3	8.6	12.0	ns				
t <sub>LSU</sub>	I/O Latch Set-Up	0.7	0.8	0.9	1.0	1.4	ns				
t <sub>LH</sub>	I/O Latch Hold	0.0	0.0	0.0	0.0	0.0	ns				
t <sub>LCO</sub>	I/O Latch Clock-to-Out (Pad-to-Pad), 64 Clock Loading	8.7	9.7	10.9	12.9	18.0	ns				
t <sub>ACO</sub>	Array Clock-to-Out (Pad-to-Pad), 64 Clock Loading	12.2	13.5	15.4	18.1	25.3	ns				
d <sub>TLH</sub>	Capacity Loading, LOW to HIGH	0.04	0.04	0.05	0.06	0.08	ns/pF				
d <sub>THL</sub>	Capacity Loading, HIGH to LOW	0.05	0.05	0.06	0.07	0.10	ns/pF				

1. For dual-module macros, use  $t_{PD1} + t_{RD1} + t_{PDn}$ ,  $t_{CO} + t_{RD1} + t_{PDn}$ , or  $t_{PD1} + t_{RD1} + t_{SUD}$ , whichever is appropriate.
2. Routing delays are for typical designs across worst-case operating conditions. These parameters should be used for estimating device performance. Post-route timing analysis or simulation is required to determine actual performance.
3. Data applies to macros based on the S-module. Timing parameters for sequential macros constructed from C-modules can be obtained from the Timer utility.
4. Set-up and hold timing parameters for the input buffer latch are defined with respect to the PAD and the D input. External setup/hold timing parameters must account for delay from an external PAD signal to the G inputs. Delay from an external PAD signal to the G input subtracts (adds) to the internal setup (hold) time.
5. Delays based on 35 pF loading.

**Table 40 • A42MX16 Timing Characteristics (Nominal 5.0 V Operation)**  
(Worst-Case Commercial Conditions, VCCA = 4.75 V, T<sub>J</sub> = 70°C)

Parameter / Description	-3 Speed		-2 Speed		-1 Speed		Std Speed		-F Speed		Units
	Min.	Max.	Min.	Max.	Min.	Max.	Min.	Max.	Min.	Max.	
<b>Logic Module Propagation Delays<sup>1</sup></b>											
t <sub>PD1</sub>	Single Module	1.4	1.5	1.7	2.0	2.8	ns				
t <sub>CO</sub>	Sequential Clock-to-Q	1.4	1.6	1.8	2.1	3.0	ns				
t <sub>GO</sub>	Latch G-to-Q	1.4	1.5	1.7	2.0	2.8	ns				
t <sub>RS</sub>	Flip-Flop (Latch) Reset-to-Q	1.6	1.7	2.0	2.3	3.3	ns				
<b>Logic Module Predicted Routing Delays<sup>2</sup></b>											
t <sub>RD1</sub>	FO = 1 Routing Delay	0.8	0.9	1.0	1.2	1.6	ns				
t <sub>RD2</sub>	FO = 2 Routing Delay	1.0	1.2	1.3	1.5	2.1	ns				

**Table 40 • A42MX16 Timing Characteristics (Nominal 5.0 V Operation)**  
**(Worst-Case Commercial Conditions, VCCA = 4.75 V, T<sub>J</sub> = 70°C) (continued)**

Parameter / Description		–3 Speed		–2 Speed		–1 Speed		Std Speed		–F Speed		Units
		Min.	Max.	Min.	Max.	Min.	Max.	Min.	Max.	Min.	Max.	
t <sub>RD3</sub>	FO = 3 Routing Delay		1.3		1.4		1.6		1.9		2.7	ns
t <sub>RD4</sub>	FO = 4 Routing Delay		1.6		1.7		2.0		2.3		3.2	ns
t <sub>RD8</sub>	FO = 8 Routing Delay		2.6		2.9		3.2		3.8		5.3	ns
<b>Logic Module Sequential Timing<sup>3,4</sup></b>												
t <sub>SUD</sub>	Flip-Flop (Latch) Data Input Set-Up		0.3		0.4		0.4		0.5		0.7	ns
t <sub>HD</sub>	Flip-Flop (Latch) Data Input Hold		0.0		0.0		0.0		0.0		0.0	ns
t <sub>SUENA</sub>	Flip-Flop (Latch) Enable Set-Up		0.7		0.8		0.9		1.0		1.4	ns
t <sub>HENA</sub>	Flip-Flop (Latch) Enable Hold		0.0		0.0		0.0		0.0		0.0	ns
t <sub>WCLKA</sub>	Flip-Flop (Latch) Clock Active Pulse Width		3.4		3.8		4.3		5.0		7.1	ns
t <sub>WASYN</sub>	Flip-Flop (Latch) Asynchronous Pulse Width		4.5		5.0		5.6		6.6		9.2	ns
t <sub>A</sub>	Flip-Flop Clock Input Period		6.8		7.6		8.6		10.1		14.1	ns
t <sub>INH</sub>	Input Buffer Latch Hold		0.0		0.0		0.0		0.0		0.0	ns
t <sub>INSU</sub>	Input Buffer Latch Set-Up		0.5		0.5		0.6		0.7		1.0	ns
t <sub>OUTH</sub>	Output Buffer Latch Hold		0.0		0.0		0.0		0.0		0.0	ns
t <sub>OUTSU</sub>	Output Buffer Latch Set-Up		0.5		0.5		0.6		0.7		1.0	ns
f <sub>MAX</sub>	Flip-Flop (Latch) Clock Frequency		215		195		179		156		94	MHz
<b>Input Module Propagation Delays</b>												
t <sub>INYH</sub>	Pad-to-Y HIGH		1.1		1.2		1.3		1.6		2.2	ns
t <sub>INYL</sub>	Pad-to-Y LOW		0.8		0.9		1.0		1.2		1.7	ns
t <sub>INGH</sub>	G to Y HIGH		1.4		1.6		1.8		2.1		2.9	ns
t <sub>INGL</sub>	G to Y LOW		1.4		1.6		1.8		2.1		2.9	ns
<b>Input Module Predicted Routing Delays<sup>2</sup></b>												
t <sub>IRD1</sub>	FO = 1 Routing Delay		1.8		2.0		2.3		2.7		4.0	ns
t <sub>IRD2</sub>	FO = 2 Routing Delay		2.1		2.3		2.6		3.1		4.3	ns
t <sub>IRD3</sub>	FO = 3 Routing Delay		2.3		2.6		3.0		3.5		4.9	ns
t <sub>IRD4</sub>	FO = 4 Routing Delay		2.6		3.0		3.3		3.9		5.4	ns
t <sub>IRD8</sub>	FO = 8 Routing Delay		3.6		4.0		4.6		5.4		7.5	ns
<b>Global Clock Network</b>												
t <sub>CKH</sub>	Input LOW to HIGH	FO = 32	2.6		2.9		3.3		3.9		5.4	ns
		FO = 384	2.9		3.2		3.6		4.3		6.0	ns
t <sub>CKL</sub>	Input HIGH to LOW	FO = 32	3.8		4.2		4.8		5.6		7.8	ns
		FO = 384	4.5		5.0		5.6		6.6		9.2	ns
t <sub>PWH</sub>	Minimum Pulse Width HIGH	FO = 32	3.2		3.5		4.0		4.7		6.6	ns
		FO = 384	3.7		4.1		4.6		5.4		7.6	ns

**Table 40 • A42MX16 Timing Characteristics (Nominal 5.0 V Operation)**  
**(Worst-Case Commercial Conditions, VCCA = 4.75 V, T<sub>J</sub> = 70°C) (continued)**

Parameter / Description			-3 Speed		-2 Speed		-1 Speed		Std Speed		-F Speed		Units
			Min.	Max.	Min.	Max.	Min.	Max.	Min.	Max.	Min.	Max.	
t <sub>PWL</sub>	Minimum Pulse Width LOW	FO = 32	3.2	3.5	4.0	4.7	6.6	ns					
		FO = 384	3.7	4.1	4.6	5.4	7.6	ns					
t <sub>CKSW</sub>	Maximum Skew	FO = 32	0.3	0.4	0.4	0.5	0.7	ns					
		FO = 384	0.3	0.4	0.4	0.5	0.7	ns					
t <sub>SUEXT</sub>	Input Latch External Set-Up	FO = 32	0.0	0.0	0.0	0.0	0.0	ns					
		FO = 384	0.0	0.0	0.0	0.0	0.0	ns					
t <sub>HEXT</sub>	Input Latch External Hold	FO = 32	2.8	3.1	5.5	4.1	5.7	ns					
		FO = 384	3.2	3.5	4.0	4.7	6.6	ns					
t <sub>P</sub>	Minimum Period	FO = 32	4.2	4.67	5.1	5.8	9.7	ns					
		FO = 384	4.6	5.1	5.6	6.4	10.7	ns					
f <sub>MAX</sub>	Maximum Frequency	FO = 32	237	215	198	172	103	MHz					
		FO = 384	215	195	179	156	94	MHz					

**Table 40 • A42MX16 Timing Characteristics (Nominal 5.0 V Operation)**  
**(Worst-Case Commercial Conditions, VCCA = 4.75 V, T<sub>J</sub> = 70°C) (continued)**

Parameter / Description	-3 Speed		-2 Speed		-1 Speed		Std Speed		-F Speed		Units
	Min.	Max.	Min.	Max.	Min.	Max.	Min.	Max.	Min.	Max.	
<b>TTL Output Module Timing<sup>4</sup></b>											
t <sub>DLH</sub>	Data-to-Pad HIGH	2.5	2.8	3.2	3.7	5.2	ns				
t <sub>DHL</sub>	Data-to-Pad LOW	3.0	3.3	3.7	4.4	6.1	ns				
t <sub>ENZH</sub>	Enable Pad Z to HIGH	2.7	3.0	3.4	4.0	5.6	ns				
t <sub>ENZL</sub>	Enable Pad Z to LOW	3.0	3.3	3.8	4.4	6.2	ns				
t <sub>ENHZ</sub>	Enable Pad HIGH to Z	5.4	6.0	6.8	8.0	11.2	ns				
t <sub>ENLZ</sub>	Enable Pad LOW to Z	5.0	5.6	6.3	7.4	10.4	ns				
t <sub>GLH</sub>	G-to-Pad HIGH	2.9	3.2	3.6	4.3	6.0	ns				
t <sub>GHL</sub>	G-to-Pad LOW	2.9	3.2	3.6	4.3	6.0	ns				
t <sub>LCO</sub>	I/O Latch Clock-to-Out (Pad-to-Pad), 64 Clock Loading	5.7	6.3	7.1	8.4	11.9	ns				
t <sub>ACO</sub>	Array Clock-to-Out (Pad-to-Pad), 64 Clock Loading	8.0	8.9	10.1	11.9	16.7	ns				
d <sub>TLH</sub>	Capacitive Loading, LOW to HIGH	0.03	0.03	0.03	0.04	0.06	ns/pF				
d <sub>THL</sub>	Capacitive Loading, HIGH to LOW	0.04	0.04	0.04	0.05	0.07	ns/pF				

**Table 40 • A42MX16 Timing Characteristics (Nominal 5.0 V Operation)**  
(Worst-Case Commercial Conditions, VCCA = 4.75 V, T<sub>J</sub> = 70°C) (continued)

Parameter / Description	–3 Speed		–2 Speed		–1 Speed		Std Speed		–F Speed		Units
	Min.	Max.	Min.	Max.	Min.	Max.	Min.	Max.	Min.	Max.	
<b>CMOS Output Module Timing<sup>5</sup></b>											
t <sub>DLH</sub>	Data-to-Pad HIGH	3.2	3.6	4.0	4.7	6.6	ns				
t <sub>DHL</sub>	Data-to-Pad LOW	2.5	2.7	3.1	3.6	5.1	ns				
t <sub>ENZH</sub>	Enable Pad Z to HIGH	2.7	3.0	3.4	4.0	5.6	ns				
t <sub>ENZL</sub>	Enable Pad Z to LOW	3.0	3.3	3.8	4.4	6.2	ns				
t <sub>ENHZ</sub>	Enable Pad HIGH to Z	5.4	6.0	6.8	8.0	11.2	ns				
t <sub>ENLZ</sub>	Enable Pad LOW to Z	5.0	5.6	6.3	7.4	10.4	ns				
t <sub>GLH</sub>	G-to-Pad HIGH	5.1	5.6	6.4	7.5	10.5	ns				
t <sub>GHL</sub>	G-to-Pad LOW	5.1	5.6	6.4	7.5	10.5	ns				
t <sub>LCO</sub>	I/O Latch Clock-to-Out (Pad-to-Pad), 64 Clock Loading	5.7	6.3	7.1	8.4	11.9	ns				
t <sub>ACO</sub>	Array Clock-to-Out (Pad-to-Pad), 64 Clock Loading	8.0	8.9	10.1	11.9	16.7	ns				
d <sub>TLH</sub>	Capacitive Loading, LOW to HIGH	0.03	0.03	0.03	0.04	0.06	ns/pF				

- For dual-module macros, use t<sub>PD1</sub> + t<sub>RD1</sub> + t<sub>PDn</sub>, t<sub>CO</sub> + t<sub>RD1</sub> + t<sub>PDn</sub>, or t<sub>PD1</sub> + t<sub>RD1</sub> + t<sub>SUD</sub>, point and position whichever is appropriate.
- Routing delays are for typical designs across worst-case operating conditions. These parameters should be used for estimating device performance. Post-route timing analysis or simulation is required to determine actual performance.
- Data applies to macros based on the S-module. Timing parameters for sequential macros constructed from C-modules can be obtained from the Timer utility.
- Set-up and hold timing parameters for the input buffer latch are defined with respect to the PAD and the D input. External setup/hold timing parameters must account for delay from an external PAD signal to the G inputs. Delay from an external PAD signal to the G input subtracts (adds) to the internal setup (hold) time.
- Delays based on 35 pF loading

**Table 41 • A42MX16 Timing Characteristics (Nominal 3.3 V Operation)**  
(Worst-Case Commercial Conditions, VCCA = 3.0 V, T<sub>J</sub> = 70°C)

Parameter / Description	–3 Speed		–2 Speed		–1 Speed		Std Speed		–F Speed		Units
	Min.	Max.	Min.	Max.	Min.	Max.	Min.	Max.	Min.	Max.	
<b>Logic Module Propagation Delays<sup>1</sup></b>											
t <sub>PD1</sub>	Single Module	1.9	2.1	2.4	2.8	4.0	ns				
t <sub>CO</sub>	Sequential Clock-to-Q	2.0	2.2	2.5	3.0	4.2	ns				
t <sub>GO</sub>	Latch G-to-Q	1.9	2.1	2.4	2.8	4.0	ns				
t <sub>RS</sub>	Flip-Flop (Latch) Reset-to-Q	2.2	2.4	2.8	3.3	4.6	ns				
<b>Logic Module Predicted Routing Delays<sup>2</sup></b>											
t <sub>RD1</sub>	FO = 1 Routing Delay	1.1	1.2	1.4	1.6	2.3	ns				
t <sub>RD2</sub>	FO = 2 Routing Delay	1.5	1.6	1.8	2.1	3.0	ns				
t <sub>RD3</sub>	FO = 3 Routing Delay	1.8	2.0	2.3	2.7	3.8	ns				
t <sub>RD4</sub>	FO = 4 Routing Delay	2.2	2.4	2.7	3.2	4.5	ns				
t <sub>RD8</sub>	FO = 8 Routing Delay	3.6	4.0	4.5	5.3	7.5	ns				

**Table 41 • A42MX16 Timing Characteristics (Nominal 3.3 V Operation)**  
**(Worst-Case Commercial Conditions, VCCA = 3.0 V, T<sub>J</sub> = 70°C) (continued)**

Parameter / Description		-3 Speed		-2 Speed		-1 Speed		Std Speed		-F Speed		Units
		Min.	Max.	Min.	Max.	Min.	Max.	Min.	Max.	Min.	Max.	
<b>Logic Module Sequential Timing<sup>3, 4</sup></b>												
t <sub>SUD</sub>	Flip-Flop (Latch) Data Input Set-Up	0.5	0.5	0.6	0.7	0.9						ns
t <sub>HD</sub>	Flip-Flop (Latch) Data Input Hold	0.0	0.0	0.0	0.0	0.0						ns
t <sub>SUENA</sub>	Flip-Flop (Latch) Enable Set-Up	1.0	1.1	1.2	1.4	2.0						ns
t <sub>HENA</sub>	Flip-Flop (Latch) Enable Hold	0.0	0.0	0.0	0.0	0.0						ns
t <sub>WCLKA</sub>	Flip-Flop (Latch) Clock Active Pulse Width	4.8	5.3	6.0	7.1	9.9						ns
t <sub>WASYN</sub>	Flip-Flop (Latch) Asynchronous Pulse Width	6.2	6.9	7.9	9.2	12.9						ns
t <sub>A</sub>	Flip-Flop Clock Input Period	9.5	10.6	12.0	14.1	19.8						ns
t <sub>INH</sub>	Input Buffer Latch Hold	0.0	0.0	0.0	0.0	0.0						ns
t <sub>INSU</sub>	Input Buffer Latch Set-Up	0.7	0.8	0.9	1.01	1.4						ns
t <sub>OUTH</sub>	Output Buffer Latch Hold	0.0	0.0	0.0	0.0	0.0						ns
t <sub>OUTSU</sub>	Output Buffer Latch Set-Up	0.7	0.8	0.89	1.01	1.4						ns
f <sub>MAX</sub>	Flip-Flop (Latch) Clock Frequency		129	117	108	94					56	MHz
<b>Input Module Propagation Delays</b>												
t <sub>INYH</sub>	Pad-to-Y HIGH		1.5	1.6	1.9	2.2					3.1	ns
t <sub>INYL</sub>	Pad-to-Y LOW		1.1	1.3	1.4	1.7					2.4	ns
t <sub>INGH</sub>	G to Y HIGH		2.0	2.2	2.5	2.9					4.1	ns
t <sub>INGL</sub>	G to Y LOW		2.0	2.2	2.5	2.9					4.1	ns
<b>Input Module Predicted Routing Delays<sup>2</sup></b>												
t <sub>IRD1</sub>	FO = 1 Routing Delay		2.6	2.9	3.2	3.8					5.3	ns
t <sub>IRD2</sub>	FO = 2 Routing Delay		2.9	3.2	3.7	4.3					6.1	ns
t <sub>IRD3</sub>	FO = 3 Routing Delay		3.3	3.6	4.1	4.9					6.8	ns
t <sub>IRD4</sub>	FO = 4 Routing Delay		3.6	4.0	4.6	5.4					7.6	ns
t <sub>IRD8</sub>	FO = 8 Routing Delay		5.1	5.6	6.4	7.5					10.5	ns
<b>Global Clock Network</b>												
t <sub>CKH</sub>	Input LOW to HIGH	FO = 32	4.4	4.8	5.5	6.5					9.0	ns
		FO = 384	4.8	5.3	6.0	7.1					9.9	ns
t <sub>CKL</sub>	Input HIGH to LOW	FO = 32	5.3	5.9	6.7	7.8					11.0	ns
		FO = 384	6.2	6.9	7.9	9.2					12.9	ns
t <sub>PWH</sub>	Minimum Pulse Width HIGH	FO = 32	5.7	6.3	7.1	8.4					11.8	ns
		FO = 384	6.6	7.4	8.3	9.8					13.7	ns

**Table 41 • A42MX16 Timing Characteristics (Nominal 3.3 V Operation)**  
**(Worst-Case Commercial Conditions, VCCA = 3.0 V, T<sub>J</sub> = 70°C) (continued)**

Parameter / Description			-3 Speed		-2 Speed		-1 Speed		Std Speed		-F Speed		Units
			Min.	Max.	Min.	Max.	Min.	Max.	Min.	Max.	Min.	Max.	
t <sub>PWL</sub>	Minimum Pulse Width LOW	FO = 32	5.3	5.9	6.7	7.8	11.0	ns					
		FO = 384	6.2	6.9	7.9	9.2	12.9	ns					
t <sub>CKSW</sub>	Maximum Skew	FO = 32		0.5	0.5	0.6	0.7	1.0	ns				
		FO = 384		2.2	2.4	2.7	3.2	4.5	ns				
t <sub>SUEXT</sub>	Input Latch External Set-Up	FO = 32	0.0	0.0	0.0	0.0	0.0	ns					
		FO = 384	0.0	0.0	0.0	0.0	0.0	ns					
t <sub>HEXT</sub>	Input Latch External Hold	FO = 32	3.9	4.3	4.9	5.7	8.0	ns					
		FO = 384	4.5	4.9	5.6	6.6	9.2	ns					
t <sub>P</sub>	Minimum Period	FO = 32	7.0	7.8	8.4	9.7	16.2	ns					
		FO = 384	7.7	8.6	9.3	10.7	17.8	ns					
f <sub>MAX</sub>	Maximum Frequency	FO = 32		142	129	119	103	62	MHz				
		FO = 384		129	117	108	94	56	MHz				
<b>TTL Output Module Timing<sup>5</sup></b>													
t <sub>DLH</sub>	Data-to-Pad HIGH		3.5	3.9	4.4	5.2	7.3	ns					
t <sub>DHL</sub>	Data-to-Pad LOW		4.1	4.6	5.2	6.1	8.6	ns					
t <sub>ENZH</sub>	Enable Pad Z to HIGH		3.8	4.2	4.8	5.6	7.8	ns					
t <sub>ENZL</sub>	Enable Pad Z to LOW		4.2	4.6	5.3	6.2	8.7	ns					
t <sub>ENHZ</sub>	Enable Pad HIGH to Z		7.6	8.4	9.5	11.2	15.7	ns					
t <sub>ENLZ</sub>	Enable Pad LOW to Z		7.0	7.8	8.8	10.4	14.5	ns					
t <sub>GLH</sub>	G-to-Pad HIGH		4.8	5.3	6.0	7.2	10.0	ns					
t <sub>GHL</sub>	G-to-Pad LOW		4.8	5.3	6.0	7.2	10.0	ns					
t <sub>LCO</sub>	I/O Latch Clock-to-Out (Pad-to-Pad), 64 Clock Loading		8.0	8.9	10.1	11.9	16.7	ns					
t <sub>ACO</sub>	Array Clock-to-Out (Pad-to-Pad), 64 Clock Loading		11.3	12.5	14.2	16.7	23.3	ns					
d <sub>TLH</sub>	Capacitive Loading, LOW to HIGH		0.04	0.04	0.05	0.06	0.08	ns/pF					
d <sub>THL</sub>	Capacitive Loading, HIGH to LOW		0.05	0.05	0.06	0.07	0.10	ns/pF					
<b>CMOS Output Module Timing<sup>5</sup></b>													
t <sub>DLH</sub>	Data-to-Pad HIGH		4.5	5.0	5.6	6.6	9.3	ns					
t <sub>DHL</sub>	Data-to-Pad LOW		3.4	3.8	4.3	5.1	7.1	ns					
t <sub>ENZH</sub>	Enable Pad Z to HIGH		3.8	4.2	4.8	5.6	7.8	ns					
t <sub>ENZL</sub>	Enable Pad Z to LOW		4.2	4.6	5.3	6.2	8.7	ns					
t <sub>ENHZ</sub>	Enable Pad HIGH to Z		7.6	8.4	9.5	11.2	15.7	ns					
t <sub>ENLZ</sub>	Enable Pad LOW to Z		7.0	7.8	8.8	10.4	14.5	ns					
t <sub>GLH</sub>	G-to-Pad HIGH		7.1	7.9	8.9	10.5	14.7	ns					
t <sub>GHL</sub>	G-to-Pad LOW		7.1	7.9	8.9	10.5	14.7	ns					
t <sub>LCO</sub>	I/O Latch Clock-to-Out (Pad-to-Pad), 64 Clock Loading		8.0	8.9	10.1	11.9	16.7	ns					

**Table 41 • A42MX16 Timing Characteristics (Nominal 3.3 V Operation)**  
(Worst-Case Commercial Conditions, VCCA = 3.0 V, T<sub>J</sub> = 70°C) (continued)

Parameter / Description	-3 Speed		-2 Speed		-1 Speed		Std Speed		-F Speed		Units
	Min.	Max.	Min.	Max.	Min.	Max.	Min.	Max.	Min.	Max.	
t <sub>ACO</sub> Array Clock-to-Out (Pad-to-Pad), 64 Clock Loading		11.3		12.5		14.2		16.7		23.3	ns
d <sub>TLH</sub> Capacitive Loading, LOW to HIGH		0.04		0.04		0.05		0.06		0.08	ns/pF
d <sub>THL</sub> Capacitive Loading, HIGH to LOW		0.05		0.05		0.06		0.07		0.10	ns/pF

1. For dual-module macros use tPD1 + tRD1 + taped, to + tRD1 + taped, or tPD1 + tRD1 + tusk, whichever is appropriate.
2. Routing delays are for typical designs across worst-case operating conditions. These parameters should be used for estimating device performance. Post-route timing analysis or simulation is required to determine actual performance.
3. Data applies to macros based on the S-module. Timing parameters for sequential macros constructed from C-modules can be obtained from the Timer utility.
4. Set-up and hold timing parameters for the input buffer latch are defined with respect to the PAD and the D input. External setup/hold timing parameters must account for delay from an external PAD signal to the G inputs. Delay from an external PAD signal to the G input subtracts (adds) to the internal setup (hold) time.
5. Delays based on 35 pF loading.

**Table 42 • A42MX24 Timing Characteristics (Nominal 5.0 V Operation)**  
(Worst-Case Commercial Conditions, VCCA = 4.75 V, T<sub>J</sub> = 70°C)

Parameter / Description	-3 Speed		-2 Speed		-1 Speed		Std Speed		-F Speed		Units
	Min.	Max.	Min.	Max.	Min.	Max.	Min.	Max.	Min.	Max.	
<b>Logic Module Combinatorial Functions<sup>1</sup></b>											
t <sub>PD</sub> Internal Array Module Delay		1.2		1.3		1.5		1.8		2.5	ns
t <sub>PDD</sub> Internal Decode Module Delay		1.4		1.6		1.8		2.1		3.0	ns
<b>Logic Module Predicted Routing Delays<sup>2</sup></b>											
t <sub>RD1</sub> FO = 1 Routing Delay		0.8		0.9		1.0		1.2		1.7	ns
t <sub>RD2</sub> FO = 2 Routing Delay		1.0		1.2		1.3		1.5		2.1	ns
t <sub>RD3</sub> FO = 3 Routing Delay		1.3		1.4		1.6		1.9		2.6	ns
t <sub>RD4</sub> FO = 4 Routing Delay		1.5		1.7		1.9		2.2		3.1	ns
t <sub>RD5</sub> FO = 8 Routing Delay		2.4		2.7		3.0		3.6		5.0	ns
<b>Logic Module Sequential Timing<sup>3, 4</sup></b>											
t <sub>CO</sub> Flip-Flop Clock-to-Output		1.3		1.4		1.6		1.9		2.7	ns
t <sub>GO</sub> Latch Gate-to-Output		1.2		1.3		1.5		1.8		2.5	ns
t <sub>SUD</sub> Flip-Flop (Latch) Set-Up Time	0.3		0.4		0.4		0.5		0.7		ns
t <sub>HD</sub> Flip-Flop (Latch) Hold Time	0.0		0.0		0.0		0.0		0.0		ns
t <sub>RO</sub> Flip-Flop (Latch) Reset-to-Output		1.4		1.6		1.8		2.1		2.9	ns
t <sub>SUENA</sub> Flip-Flop (Latch) Enable Set-Up	0.4		0.5		0.5		0.6		0.8		ns
t <sub>HENA</sub> Flip-Flop (Latch) Enable Hold	0.0		0.0		0.0		0.0		0.0		ns
t <sub>WCLKA</sub> Flip-Flop (Latch) Clock Active Pulse Width	3.3		3.7		4.2		4.9		6.9		ns
t <sub>WASYN</sub> Flip-Flop (Latch) Asynchronous Pulse Width	4.4		4.8		5.3		6.5		9.0		ns

**Table 42 • A42MX24 Timing Characteristics (Nominal 5.0 V Operation)**  
**(Worst-Case Commercial Conditions, VCCA = 4.75 V, T<sub>J</sub> = 70°C) (continued)**

Parameter / Description	-3 Speed		-2 Speed		-1 Speed		Std Speed		-F Speed		Units
	Min.	Max.	Min.	Max.	Min.	Max.	Min.	Max.	Min.	Max.	
<b>Input Module Propagation Delays</b>											
t <sub>INPY</sub>	Input Data Pad-to-Y		1.0	1.1	1.3	1.5	2.1			ns	
t <sub>INGO</sub>	Input Latch Gate-to-Output		1.3	1.4	1.6	1.9	2.6			ns	
t <sub>INH</sub>	Input Latch Hold		0.0	0.0	0.0	0.0	0.0			ns	
t <sub>INSU</sub>	Input Latch Set-Up		0.5	0.5	0.6	0.7	1.0			ns	
t <sub>ILA</sub>	Latch Active Pulse Width		4.7	5.2	5.9	6.9	9.7			ns	

**Table 42 • A42MX24 Timing Characteristics (Nominal 5.0 V Operation)**  
**(Worst-Case Commercial Conditions, VCCA = 4.75 V, T<sub>J</sub> = 70°C) (continued)**

Parameter / Description	-3 Speed		-2 Speed		-1 Speed		Std Speed		-F Speed		Units
	Min.	Max.	Min.	Max.	Min.	Max.	Min.	Max.	Min.	Max.	
<b>Input Module Predicted Routing Delays<sup>2</sup></b>											
t <sub>IRD1</sub>	FO = 1 Routing Delay		1.8	2.0	2.3	2.7	3.8	ns			
t <sub>IRD2</sub>	FO = 2 Routing Delay		2.1	2.3	2.6	3.1	4.3	ns			
t <sub>IRD3</sub>	FO = 3 Routing Delay		2.3	2.5	2.9	3.4	4.8	ns			
t <sub>IRD4</sub>	FO = 4 Routing Delay		2.5	2.8	3.2	3.7	5.2	ns			
t <sub>IRD8</sub>	FO = 8 Routing Delay		3.4	3.8	4.3	5.1	7.1	ns			
<b>Global Clock Network</b>											
t <sub>CKH</sub>	Input LOW to HIGH	FO = 32	2.6	2.9	3.3	3.9	5.4	ns			
		FO = 486	2.9	3.2	3.6	4.3	5.9	ns			
t <sub>CKL</sub>	Input HIGH to LOW	FO = 32	3.7	4.1	4.6	5.4	7.6	ns			
		FO = 486	4.3	4.7	5.4	6.3	8.8	ns			
t <sub>PWH</sub>	Minimum Pulse Width HIGH	FO = 32	2.2	2.4	2.7	3.2	4.5	ns			
		FO = 486	2.4	2.6	3.0	3.5	4.9	ns			
t <sub>PWL</sub>	Minimum Pulse Width LOW	FO = 32	2.2	2.4	2.7	3.2	4.5	ns			
		FO = 486	2.4	2.6	3.0	3.5	4.9	ns			
t <sub>CKSW</sub>	Maximum Skew	FO = 32	0.5	0.6	0.7	0.8	1.1	ns			
		FO = 486	0.5	0.6	0.7	0.8	1.1	ns			
t <sub>SUEXT</sub>	Input Latch External Set-Up	FO = 32	0.0	0.0	0.0	0.0	0.0	ns			
		FO = 486	0.0	0.0	0.0	0.0	0.0	ns			
t <sub>HEXT</sub>	Input Latch External Hold	FO = 32	2.8	3.1	3.5	4.1	5.7	ns			
		FO = 486	3.3	3.7	4.2	4.9	6.9	ns			
t <sub>P</sub>	Minimum Period (1/f <sub>MAX</sub> )	FO = 32	4.7	5.2	5.7	6.5	10.9	ns			
		FO = 486	5.1	5.7	6.2	7.1	11.9	ns			

**Table 42 • A42MX24 Timing Characteristics (Nominal 5.0 V Operation)**  
**(Worst-Case Commercial Conditions, VCCA = 4.75 V, T<sub>J</sub> = 70°C) (continued)**

Parameter / Description	-3 Speed		-2 Speed		-1 Speed		Std Speed		-F Speed		Units
	Min.	Max.	Min.	Max.	Min.	Max.	Min.	Max.	Min.	Max.	
<b>TTL Output Module Timing<sup>5</sup></b>											
t <sub>DLH</sub>	Data-to-Pad HIGH	2.4	2.7	3.1	3.6	5.1	ns				
t <sub>DHL</sub>	Data-to-Pad LOW	2.8	3.2	3.6	4.2	5.9	ns				
t <sub>ENZH</sub>	Enable Pad Z to HIGH	2.5	2.8	3.2	3.8	5.3	ns				
t <sub>ENZL</sub>	Enable Pad Z to LOW	2.8	3.1	3.5	4.2	5.9	ns				
t <sub>ENHZ</sub>	Enable Pad HIGH to Z	5.2	5.7	6.5	7.6	10.7	ns				
t <sub>ENLZ</sub>	Enable Pad LOW to Z	4.8	5.3	6.0	7.1	9.9	ns				
t <sub>GLH</sub>	G-to-Pad HIGH	2.9	3.2	3.6	4.3	6.0	ns				
t <sub>GHL</sub>	G-to-Pad LOW	2.9	3.2	3.6	4.3	6.0	ns				
t <sub>LSU</sub>	I/O Latch Output Set-Up	0.5	0.5	0.6	0.7	1.0	ns				
t <sub>LH</sub>	I/O Latch Output Hold	0.0	0.0	0.0	0.0	0.0	ns				
t <sub>LCO</sub>	I/O Latch Clock-to-Out (Pad-to-Pad) 32 I/O	5.6	6.1	6.9	8.1	11.4	ns				
t <sub>ACO</sub>	Array Latch Clock-to-Out (Pad-to-Pad) 32 I/O	10.6	11.8	13.4	15.7	22.0	ns				
d <sub>TLH</sub>	Capacitive Loading, LOW to HIGH	0.04	0.04	0.04	0.05	0.07	ns/pF				
d <sub>THL</sub>	Capacitive Loading, HIGH to LOW	0.03	0.03	0.03	0.04	0.06	ns/pF				

**Table 42 • A42MX24 Timing Characteristics (Nominal 5.0 V Operation)**  
**(Worst-Case Commercial Conditions, VCCA = 4.75 V, T<sub>J</sub> = 70°C) (continued)**

Parameter / Description	-3 Speed		-2 Speed		-1 Speed		Std Speed		-F Speed		Units
	Min.	Max.	Min.	Max.	Min.	Max.	Min.	Max.	Min.	Max.	
<b>CMOS Output Module Timing<sup>5</sup></b>											
t <sub>DLH</sub>	Data-to-Pad HIGH	3.1	3.5	3.9	4.6	6.4	ns				
t <sub>DHL</sub>	Data-to-Pad LOW	2.4	2.6	3.0	3.5	4.9	ns				
t <sub>ENZH</sub>	Enable Pad Z to HIGH	2.5	2.8	3.2	3.8	5.3	ns				
t <sub>ENZL</sub>	Enable Pad Z to LOW	2.8	3.1	3.5	4.2	5.8	ns				
t <sub>ENHZ</sub>	Enable Pad HIGH to Z	5.2	5.7	6.5	7.6	10.7	ns				
t <sub>ENLZ</sub>	Enable Pad LOW to Z	4.8	5.3	6.0	7.1	9.9	ns				
t <sub>GLH</sub>	G-to-Pad HIGH	4.9	5.4	6.2	7.2	10.1	ns				
t <sub>GHL</sub>	G-to-Pad LOW	4.9	5.4	6.2	7.2	10.1	ns				
t <sub>LSU</sub>	I/O Latch Set-Up	0.5	0.5	0.6	0.7	1.0	ns				
t <sub>LH</sub>	I/O Latch Hold	0.0	0.0	0.0	0.0	0.0	ns				
t <sub>LCO</sub>	I/O Latch Clock-to-Out (Pad-to-Pad) 32 I/O	5.5	6.1	6.9	8.1	11.3	ns				
t <sub>ACO</sub>	Array Latch Clock-to-Out (Pad-to-Pad) 32 I/O	10.6	11.8	13.4	15.7	22.0	ns				
d <sub>TLH</sub>	Capacitive Loading, LOW to HIGH	0.04	0.04	0.04	0.05	0.07	ns/pF				
d <sub>THL</sub>	Capacitive Loading, HIGH to LOW	0.03	0.03	0.03	0.04	0.06	ns/pF				

1. For dual-module macros, use t<sub>PD1</sub> + t<sub>RD1</sub> + t<sub>PDn</sub>, t<sub>CO</sub> + t<sub>RD1</sub> + t<sub>PDn</sub>, or t<sub>PD1</sub> + t<sub>RD1</sub> + t<sub>SUD</sub>, whichever is appropriate.
2. Routing delays are for typical designs across worst-case operating conditions. These parameters should be used for estimating device performance. Post-route timing analysis or simulation is required to determine actual performance.
3. Data applies to macros based on the S-module. Timing parameters for sequential macros constructed from C-modules can be obtained from the Timer utility.
4. Set-up and hold timing parameters for the Input Buffer Latch are defined with respect to the PAD and the D input. External setup/hold timing parameters must account for delay from an external PAD signal to the G inputs. Delay from an external PAD signal to the G input subtracts (adds) to the internal setup (hold) time.
5. Delays based on 35 pF loading

**Table 43 • A42MX24 Timing Characteristics (Nominal 3.3 V Operation)**  
**(Worst-Case Commercial Conditions, VCCA = 3.0 V, T<sub>J</sub> = 70°C)**

Parameter / Description	-3 Speed		-2 Speed		-1 Speed		Std Speed		-F Speed		Units
	Min.	Max.	Min.	Max.	Min.	Max.	Min.	Max.	Min.	Max.	
<b>Logic Module Combinatorial Functions<sup>1</sup></b>											
t <sub>PD</sub>	Internal Array Module Delay	2.0	1.8	2.1	2.5	3.4	ns				
t <sub>PDD</sub>	Internal Decode Module Delay	1.1	2.2	2.5	3.0	4.2	ns				
<b>Logic Module Predicted Routing Delays<sup>2</sup></b>											
t <sub>RD1</sub>	FO = 1 Routing Delay	1.7	1.3	1.4	1.7	2.3	ns				
t <sub>RD2</sub>	FO = 2 Routing Delay	2.0	1.6	1.8	2.1	3.0	ns				
t <sub>RD3</sub>	FO = 3 Routing Delay	1.1	2.0	2.2	2.6	3.7	ns				
t <sub>RD4</sub>	FO = 4 Routing Delay	1.5	2.3	2.6	3.1	4.3	ns				
t <sub>RD5</sub>	FO = 8 Routing Delay	1.8	3.7	4.2	5.0	7.0	ns				

**Table 43 • A42MX24 Timing Characteristics (Nominal 3.3 V Operation)**  
**(Worst-Case Commercial Conditions, VCCA = 3.0 V, T<sub>J</sub> = 70°C) (continued)**

Parameter / Description	-3 Speed		-2 Speed		-1 Speed		Std Speed		-F Speed		Units
	Min.	Max.	Min.	Max.	Min.	Max.	Min.	Max.	Min.	Max.	
<b>Logic Module Sequential Timing<sup>3, 4</sup></b>											
t <sub>CO</sub>	Flip-Flop Clock-to-Output		2.1	2.0	2.3	2.7	3.7			ns	
t <sub>GO</sub>	Latch Gate-to-Output		3.4	1.9	2.1	2.5	3.4			ns	
t <sub>SUD</sub>	Flip-Flop (Latch) Set-Up Time		0.4	0.5	0.6	0.7	0.9			ns	
t <sub>HD</sub>	Flip-Flop (Latch) Hold Time		0.0	0.0	0.0	0.0	0.0			ns	
t <sub>RO</sub>	Flip-Flop (Latch) Reset-to-Output		2.0	2.2	2.5	2.9	4.1			ns	
t <sub>SUENA</sub>	Flip-Flop (Latch) Enable Set-Up		0.6	0.6	0.7	0.8	1.2			ns	
t <sub>HENA</sub>	Flip-Flop (Latch) Enable Hold		0.0	0.0	0.0	0.0	0.0			ns	
t <sub>WCLKA</sub>	Flip-Flop (Latch) Clock Active Pulse Width		4.6	5.2	5.8	6.9	9.6			ns	
t <sub>WASYN</sub>	Flip-Flop (Latch) Asynchronous Pulse Width		6.1	6.8	7.7	9.0	12.6			ns	
<b>Input Module Propagation Delays</b>											
t <sub>INPY</sub>	Input Data Pad-to-Y		1.4	1.6	1.8	2.2	3.0			ns	
t <sub>INGO</sub>	Input Latch Gate-to-Output		1.8	1.9	2.2	2.6	3.6			ns	
t <sub>INH</sub>	Input Latch Hold		0.0	0.0	0.0	0.0	0.0			ns	
t <sub>INSU</sub>	Input Latch Set-Up		0.7	0.7	0.8	1.0	1.4			ns	
t <sub>ILA</sub>	Latch Active Pulse Width		6.5	7.3	8.2	9.7	13.5			ns	

**Table 43 • A42MX24 Timing Characteristics (Nominal 3.3 V Operation)**  
**(Worst-Case Commercial Conditions, VCCA = 3.0 V, T<sub>J</sub> = 70°C) (continued)**

Parameter / Description		-3 Speed		-2 Speed		-1 Speed		Std Speed		-F Speed		Units
		Min.	Max.	Min.	Max.	Min.	Max.	Min.	Max.	Min.	Max.	
<b>Input Module Predicted Routing Delays<sup>2</sup></b>												
t <sub>IRD1</sub>	FO = 1 Routing Delay		2.6		2.9		3.2		3.8		5.3	ns
t <sub>IRD2</sub>	FO = 2 Routing Delay		2.9		3.2		3.6		4.3		6.0	ns
t <sub>IRD3</sub>	FO = 3 Routing Delay		3.2		3.6		4.0		4.8		6.6	ns
t <sub>IRD4</sub>	FO = 4 Routing Delay		3.5		3.9		4.4		5.2		7.3	ns
t <sub>IRD8</sub>	FO = 8 Routing Delay		4.8		5.3		6.1		7.1		10.0	ns
<b>Global Clock Network</b>												
t <sub>CKH</sub>	Input LOW to HIGH	FO = 32	4.4		4.8		5.5		6.5		9.1	ns
		FO = 486	4.8		5.3		6.0		7.1		10.0	ns
t <sub>CKL</sub>	Input HIGH to LOW	FO = 32	5.1		5.7		6.4		7.6		10.6	ns
		FO = 486	6.0		6.6		7.5		8.8		12.4	ns
t <sub>PWH</sub>	Minimum Pulse Width HIGH	FO = 32	3.0		3.3		3.8		4.5		6.3	ns
		FO = 486	3.3		3.7		4.2		4.9		6.9	ns
t <sub>PWL</sub>	Minimum Pulse Width LOW	FO = 32	3.0		3.4		3.8		4.5		6.3	ns
		FO = 486	3.3		3.7		4.2		4.9		6.9	ns
t <sub>CKSW</sub>	Maximum Skew	FO = 32	0.8		0.8		1.0		1.1		1.6	ns
		FO = 486	0.8		0.8		1.0		1.1		1.6	ns
t <sub>SUEXT</sub>	Input Latch External Set-Up	FO = 32	0.0		0.0		0.0		0.0		0.0	ns
		FO = 486	0.0		0.0		0.0		0.0		0.0	ns
<b>TTL Output Module Timing<sup>5</sup></b>												
t <sub>DLH</sub>	Data-to-Pad HIGH		3.4		3.8		4.3		5.0		7.1	ns
t <sub>DHL</sub>	Data-to-Pad LOW		4.0		4.4		5.0		5.9		8.3	ns
t <sub>ENZH</sub>	Enable Pad Z to HIGH		3.6		4.0		4.5		5.3		7.4	ns
t <sub>ENZL</sub>	Enable Pad Z to LOW		3.9		4.4		5.0		5.8		8.2	ns
t <sub>ENHZ</sub>	Enable Pad HIGH to Z		7.2		8.0		9.1		10.7		14.9	ns
t <sub>ENLZ</sub>	Enable Pad LOW to Z		6.7		7.5		8.5		9.9		13.9	ns
t <sub>GLH</sub>	G-to-Pad HIGH		4.8		5.3		6.0		7.2		10.0	ns
t <sub>GHL</sub>	G-to-Pad LOW		4.8		5.3		6.0		7.2		10.0	ns
t <sub>LSU</sub>	I/O Latch Output Set-Up		0.7		0.7		0.8		1.0		1.4	ns

**Table 43 • A42MX24 Timing Characteristics (Nominal 3.3 V Operation)**  
**(Worst-Case Commercial Conditions, VCCA = 3.0 V, T<sub>J</sub> = 70°C) (continued)**

Parameter / Description	-3 Speed		-2 Speed		-1 Speed		Std Speed		-F Speed		Units
	Min.	Max.	Min.	Max.	Min.	Max.	Min.	Max.	Min.	Max.	
<b>TTL Output Module Timing<sup>5</sup></b>											
t <sub>LH</sub>	I/O Latch Output Hold	0.0	0.0	0.0	0.0	0.0	0.0	0.0	0.0	0.0	ns
t <sub>LCO</sub>	I/O Latch Clock-to-Out (Pad-to-Pad) 32 I/O	7.7	8.5	9.6	11.3	15.9					ns
t <sub>ACO</sub>	Array Latch Clock-to-Out (Pad-to-Pad) 32 I/O	14.8	16.5	18.7	22.0	30.8					ns
d <sub>TLH</sub>	Capacitive Loading, LOW to HIGH	0.05	0.05	0.06	0.07	0.10					ns/pF
d <sub>THL</sub>	Capacitive Loading, HIGH to LOW	0.04	0.04	0.05	0.06	0.08					ns/pF
<b>CMOS Output Module Timing<sup>5</sup></b>											
t <sub>DLH</sub>	Data-to-Pad HIGH	4.8	5.3	5.5	6.4	9.0					ns
t <sub>DHL</sub>	Data-to-Pad LOW	3.5	3.9	4.1	4.9	6.8					ns
t <sub>ENZH</sub>	Enable Pad Z to HIGH	3.6	4.0	4.5	5.3	7.4					ns
t <sub>ENZL</sub>	Enable Pad Z to LOW	3.4	4.0	5.0	5.8	8.2					ns
t <sub>ENHZ</sub>	Enable Pad HIGH to Z	7.2	8.0	9.0	10.7	14.9					ns
t <sub>ENLZ</sub>	Enable Pad LOW to Z	6.7	7.5	8.5	9.9	13.9					ns
t <sub>GLH</sub>	G-to-Pad HIGH	6.8	7.6	8.6	10.1	14.2					ns
t <sub>GHL</sub>	G-to-Pad LOW	6.8	7.6	8.6	10.1	14.2					ns
t <sub>LSU</sub>	I/O Latch Set-Up	0.7	0.7	0.8	1.0	1.4					ns
t <sub>LH</sub>	I/O Latch Hold	0.0	0.0	0.0	0.0	0.0					ns
t <sub>LCO</sub>	I/O Latch Clock-to-Out (Pad-to-Pad) 32 I/O	7.7	8.5	9.6	11.3	15.9					ns
t <sub>ACO</sub>	Array Latch Clock-to-Out (Pad-to-Pad) 32 I/O	14.8	16.5	18.7	22.0	30.8					ns
d <sub>TLH</sub>	Capacitive Loading, LOW to HIGH	0.05	0.05	0.06	0.07	0.10					ns/pF
d <sub>THL</sub>	Capacitive Loading, HIGH to LOW	0.04	0.04	0.05	0.06	0.08					ns/pF
t <sub>HEXT</sub>	Input Latch External Hold	FO = 32 FO = 486	3.9 4.6	4.3 5.2	4.9 5.8	5.7 6.9	8.1 9.6				ns ns
t <sub>P</sub>	Minimum Period (1/f <sub>MAX</sub> )	FO = 32 FO = 486	7.8 8.6	8.7 9.5	9.5 10.4	10.8 11.9	18.2 19.9				ns ns

1. For dual-module macros, use t<sub>PD1</sub> + t<sub>RD1</sub> + t<sub>PDn</sub>, t<sub>CO</sub> + t<sub>RD1</sub> + t<sub>PDn</sub>, or t<sub>PD1</sub> + t<sub>RD1</sub> + t<sub>SUD</sub>, whichever is appropriate.
2. Routing delays are for typical designs across worst-case operating conditions. These parameters should be used for estimating device performance. Post-route timing analysis or simulation is required to determine actual performance.
3. Data applies to macros based on the S-module. Timing parameters for sequential macros constructed from C-modules can be obtained from the Timer utility.
4. Set-up and hold timing parameters for the Input Buffer Latch are defined with respect to the PAD and the D input. External setup/hold timing parameters must account for delay from an external PAD signal to the G inputs. Delay from an external PAD signal to the G input subtracts (adds) to the internal setup (hold) time.
5. Delays based on 35 pF loading.

**Table 44 • A42MX36 Timing Characteristics (Nominal 5.0 V Operation)  
(Worst-Case Commercial Conditions, VCCA = 4.75 V, T<sub>J</sub> = 70°C)**

Parameter / Description	-3 Speed		-2 Speed		-1 Speed		Std Speed		-F Speed		Units
	Min.	Max.	Min.	Max.	Min.	Max.	Min.	Max.	Min.	Max.	
<b>Logic Module Combinatorial Functions<sup>1</sup></b>											
t <sub>PD</sub>	Internal Array Module Delay	1.3	1.5	1.7	2.0	2.7	ns				
t <sub>PDD</sub>	Internal Decode Module Delay	1.6	1.8	2.0	2.4	3.3	ns				
<b>Logic Module Predicted Routing Delays<sup>2</sup></b>											
t <sub>RD1</sub>	FO = 1 Routing Delay	0.9	1.0	1.2	1.4	2.0	ns				
t <sub>RD2</sub>	FO = 2 Routing Delay	1.3	1.4	1.6	1.9	2.7	ns				
t <sub>RD3</sub>	FO = 3 Routing Delay	1.6	1.8	2.0	2.4	3.4	ns				
t <sub>RD4</sub>	FO = 4 Routing Delay	2.0	2.2	2.5	2.9	4.1	ns				
t <sub>RD5</sub>	FO = 8 Routing Delay	3.3	3.7	4.2	4.9	6.9	ns				
t <sub>RDD</sub>	Decode-to-Output Routing Delay	0.3	0.4	0.4	0.5	0.7	ns				
<b>Logic Module Sequential Timing<sup>3, 4</sup></b>											
t <sub>CO</sub>	Flip-Flop Clock-to-Output	1.3	1.4	1.6	1.9	2.7	ns				
t <sub>GO</sub>	Latch Gate-to-Output	1.3	1.4	1.6	1.9	2.7	ns				
t <sub>SUD</sub>	Flip-Flop (Latch) Set-Up Time	0.3	0.3	0.4	0.5	0.7	ns				
t <sub>HD</sub>	Flip-Flop (Latch) Hold Time	0.0	0.0	0.0	0.0	0.0	ns				
t <sub>RO</sub>	Flip-Flop (Latch) Reset-to-Output	1.6	1.7	2.0	2.3	3.2	ns				
t <sub>SUENA</sub>	Flip-Flop (Latch) Enable Set-Up	0.7	0.8	0.9	1.0	1.4	ns				
t <sub>HENA</sub>	Flip-Flop (Latch) Enable Hold	0.0	0.0	0.0	0.0	0.0	ns				
t <sub>WCLKA</sub>	Flip-Flop (Latch) Clock Active Pulse Width	3.3	3.7	4.2	4.9	6.9	ns				
t <sub>WASYN</sub>	Flip-Flop (Latch) Asynchronous Pulse Width	4.4	4.8	5.5	6.4	9.0	ns				
<b>Synchronous SRAM Operations</b>											
t <sub>RC</sub>	Read Cycle Time	6.8	7.5	8.5	10.0	14.0	ns				
t <sub>WC</sub>	Write Cycle Time	6.8	7.5	8.5	10.0	14.0	ns				
t <sub>RCKHL</sub>	Clock HIGH/LOW Time	3.4	3.8	4.3	5.0	7.0	ns				
t <sub>RCO</sub>	Data Valid After Clock HIGH/LOW	3.4	3.8	4.3	5.0	7.0	ns				
t <sub>ADSU</sub>	Address/Data Set-Up Time	1.6	1.8	2.0	2.4	3.4	ns				
<b>Synchronous SRAM Operations</b>											
t <sub>ADH</sub>	Address/Data Hold Time	0.0	0.0	0.0	0.0	0.0	ns				
t <sub>RENSU</sub>	Read Enable Set-Up	0.6	0.7	0.8	0.9	1.3	ns				
t <sub>RENH</sub>	Read Enable Hold	3.4	3.8	4.3	5.0	7.0	ns				
t <sub>WENSU</sub>	Write Enable Set-Up	2.7	3.0	3.4	4.0	5.6	ns				
t <sub>WENH</sub>	Write Enable Hold	0.0	0.0	0.0	0.0	0.0	ns				
t <sub>BENS</sub>	Block Enable Set-Up	2.8	3.1	3.5	4.1	5.7	ns				
t <sub>BENH</sub>	Block Enable Hold	0.0	0.0	0.0	0.0	0.0	ns				

**Table 44 • A42MX36 Timing Characteristics (Nominal 5.0 V Operation)  
(Worst-Case Commercial Conditions, VCCA = 4.75 V, T<sub>J</sub> = 70°C) (continued)**

Parameter / Description	-3 Speed		-2 Speed		-1 Speed		Std Speed		-F Speed		Units	
	Min.	Max.	Min.	Max.	Min.	Max.	Min.	Max.	Min.	Max.		
<b>Asynchronous SRAM Operations</b>												
t <sub>RPD</sub>	Asynchronous Access Time		8.1		9.0		10.2		12.0		16.8	ns
t <sub>RDADV</sub>	Read Address Valid		8.8		9.8		11.1		13.0		18.2	ns
t <sub>ADSU</sub>	Address/Data Set-Up Time		1.6		1.8		2.0		2.4		3.4	ns
t <sub>ADH</sub>	Address/Data Hold Time		0.0		0.0		0.0		0.0		0.0	ns
t <sub>RENSUA</sub>	Read Enable Set-Up to Address Valid		0.6		0.7		0.8		0.9		1.3	ns
t <sub>RENHA</sub>	Read Enable Hold		3.4		3.8		4.3		5.0		7.0	ns
t <sub>WENSU</sub>	Write Enable Set-Up		2.7		3.0		3.4		4.0		5.6	ns
t <sub>WENH</sub>	Write Enable Hold		0.0		0.0		0.0		0.0		0.0	ns
t <sub>DOH</sub>	Data Out Hold Time		1.2		1.3		1.5		1.8		2.5	ns
<b>Input Module Propagation Delays</b>												
t <sub>INPY</sub>	Input Data Pad-to-Y		1.0		1.1		1.3		1.5		2.1	ns
t <sub>INGO</sub>	Input Latch Gate-to-Output		1.4		1.6		1.8		2.1		2.9	ns
t <sub>INH</sub>	Input Latch Hold		0.0		0.0		0.0		0.0		0.0	ns
t <sub>INSU</sub>	Input Latch Set-Up		0.5		0.5		0.6		0.7		1.0	ns
t <sub>ILA</sub>	Latch Active Pulse Width		4.7		5.2		5.9		6.9		9.7	ns
<b>Input Module Predicted Routing Delays<sup>2</sup></b>												
t <sub>IRD1</sub>	FO = 1 Routing Delay		2.0		2.2		2.5		2.9		4.1	ns
t <sub>IRD2</sub>	FO = 2 Routing Delay		2.3		2.6		2.9		3.4		4.8	ns
t <sub>IRD3</sub>	FO = 3 Routing Delay		2.6		2.9		3.3		3.9		5.5	ns
t <sub>IRD4</sub>	FO = 4 Routing Delay		3.0		3.3		3.8		4.4		6.2	ns
t <sub>IRD8</sub>	FO = 8 Routing Delay		4.3		4.8		5.5		6.4		9.0	ns
<b>Global Clock Network</b>												
t <sub>CKH</sub>	Input LOW to HIGH	FO = 32	2.7		3.0		3.4		4.0		5.6	ns
		FO = 635	3.0		3.3		3.8		4.4		6.2	ns
t <sub>CKL</sub>	Input HIGH to LOW	FO = 32	3.8		4.2		4.8		5.6		7.8	ns
		FO = 635	4.9		5.4		6.1		7.2		10.1	ns
t <sub>PWH</sub>	Minimum Pulse Width HIGH	FO = 32	1.8		2.0		2.2		2.6		3.6	ns
		FO = 635	2.0		2.2		2.5		2.9		4.1	ns
t <sub>PWL</sub>	Minimum Pulse Width LOW	FO = 32	1.8		2.0		2.2		2.6		3.6	ns
		FO = 635	2.0		2.2		2.5		2.9		4.1	ns
t <sub>CKSW</sub>	Maximum Skew	FO = 32	0.8		0.8		0.9		1.0		1.4	ns
		FO = 635	0.8		0.8		0.9		1.0		1.4	ns

**Table 44 • A42MX36 Timing Characteristics (Nominal 5.0 V Operation)**  
**(Worst-Case Commercial Conditions, VCCA = 4.75 V, T<sub>J</sub> = 70°C) (continued)**

Parameter / Description			-3 Speed		-2 Speed		-1 Speed		Std Speed		-F Speed		Units
			Min.	Max.	Min.	Max.	Min.	Max.	Min.	Max.	Min.	Max.	
t <sub>SUEXT</sub>	Input Latch External Set-Up	FO = 32	0.0	0.0	0.0	0.0	0.0	0.0	0.0	0.0	0.0	ns	
		FO = 635	0.0	0.0	0.0	0.0	0.0	0.0	0.0	0.0	0.0	ns	
t <sub>HEXT</sub>	Input Latch External Hold	FO = 32	2.8	3.2	3.6	4.2	4.2	4.9	5.9	6.9	ns	ns	
		FO = 635	3.3	3.7	4.2	4.9	5.9	6.9	ns	ns			
t <sub>p</sub>	Minimum Period (1/f <sub>MAX</sub> )	FO = 32	5.5	6.1	6.6	7.6	12.7	ns	ns				
		FO = 635	6.0	6.6	7.2	8.3	13.8	ns	ns				
f <sub>MAX</sub>	Maximum Datapath Frequency	FO = 32	180	164	151	131	79	MHz					
		FO = 635	166	151	139	121	73	MHz					
<b>TTL Output Module Timing<sup>5</sup></b>													
t <sub>DLH</sub>	Data-to-Pad HIGH		2.6	2.8	3.2	3.8	5.3	ns					
t <sub>DHL</sub>	Data-to-Pad LOW		3.0	3.3	3.7	4.4	6.2	ns					
t <sub>ENZH</sub>	Enable Pad Z to HIGH		2.7	3.0	3.3	3.9	5.5	ns					
t <sub>ENZL</sub>	Enable Pad Z to LOW		3.0	3.3	3.7	4.3	6.1	ns					
t <sub>ENHZ</sub>	Enable Pad HIGH to Z		5.3	5.8	6.6	7.8	10.9	ns					

**Table 44 • A42MX36 Timing Characteristics (Nominal 5.0 V Operation)**  
**(Worst-Case Commercial Conditions, VCCA = 4.75 V, T<sub>J</sub> = 70°C) (continued)**

Parameter / Description	-3 Speed		-2 Speed		-1 Speed		Std Speed		-F Speed		Units
	Min.	Max.	Min.	Max.	Min.	Max.	Min.	Max.	Min.	Max.	
<b>TTL Output Module Timing<sup>5</sup></b>											
t <sub>ENLZ</sub>	Enable Pad LOW to Z		4.9	5.5	6.2	7.3	10.2	ns			
t <sub>GLH</sub>	G-to-Pad HIGH		2.9	3.3	3.7	4.4	6.1	ns			
t <sub>GHL</sub>	G-to-Pad LOW		2.9	3.3	3.7	4.4	6.1	ns			
t <sub>LSU</sub>	I/O Latch Output Set-Up		0.5	0.5	0.6	0.7	1.0	ns			
t <sub>LH</sub>	I/O Latch Output Hold		0.0	0.0	0.0	0.0	0.0	ns			
t <sub>LCO</sub>	I/O Latch Clock-to-Out (Pad-to-Pad) 32 I/O		5.7	6.3	7.1	8.4	11.8	ns			
t <sub>ACO</sub>	Array Latch Clock-to-Out (Pad-to-Pad) 32 I/O		7.8	8.6	9.8	11.5	16.1	ns			
d <sub>TLH</sub>	Capacitive Loading, LOW to HIGH		0.07	0.08	0.09	0.10	0.14	ns/pF			
d <sub>THL</sub>	Capacitive Loading, HIGH to LOW		0.07	0.08	0.09	0.10	0.14	ns/pF			

**Table 44 • A42MX36 Timing Characteristics (Nominal 5.0 V Operation)**  
(Worst-Case Commercial Conditions, VCCA = 4.75 V, T<sub>J</sub> = 70°C) (continued)

Parameter / Description	-3 Speed		-2 Speed		-1 Speed		Std Speed		-F Speed		Units
	Min.	Max.	Min.	Max.	Min.	Max.	Min.	Max.	Min.	Max.	
<b>CMOS Output Module Timing<sup>5</sup></b>											
t <sub>DLH</sub>	Data-to-Pad HIGH	3.5	3.9	4.5	5.2	7.3	ns				
t <sub>DHL</sub>	Data-to-Pad LOW	2.5	2.7	3.1	3.6	5.1	ns				
t <sub>ENZH</sub>	Enable Pad Z to HIGH	2.7	3.0	3.3	3.9	5.5	ns				
t <sub>ENZL</sub>	Enable Pad Z to LOW	2.9	3.3	3.7	4.3	6.1	ns				
t <sub>ENHZ</sub>	Enable Pad HIGH to Z	5.3	5.8	6.6	7.8	10.9	ns				
t <sub>ENLZ</sub>	Enable Pad LOW to Z	4.9	5.5	6.2	7.3	10.2	ns				
t <sub>GLH</sub>	G-to-Pad HIGH	5.0	5.6	6.3	7.5	10.4	ns				
t <sub>GHL</sub>	G-to-Pad LOW	5.0	5.6	6.3	7.5	10.4	ns				
t <sub>LSU</sub>	I/O Latch Set-Up	0.5	0.5	0.6	0.7	1.0	ns				
t <sub>LH</sub>	I/O Latch Hold	0.0	0.0	0.0	0.0	0.0	ns				
t <sub>LCO</sub>	I/O Latch Clock-to-Out (Pad-to-Pad) 32 I/O	5.7	6.3	7.1	8.4	11.8	ns				
t <sub>ACO</sub>	Array Latch Clock-to-Out (Pad-to-Pad) 32 I/O	7.8	8.6	9.8	11.5	16.1	ns				
d <sub>TLH</sub>	Capacitive Loading, LOW to HIGH	0.07	0.08	0.09	0.10	0.14	ns/pF				
d <sub>THL</sub>	Capacitive Loading, HIGH to LOW	0.07	0.08	0.09	0.10	0.14	ns/pF				

1. For dual-module macros, use t<sub>PD1</sub> + t<sub>RD1</sub> + t<sub>PDn</sub>, t<sub>CO</sub> + t<sub>RD1</sub> + t<sub>PDn</sub>, or t<sub>PD1</sub> + t<sub>RD1</sub> + t<sub>SUD</sub>, whichever is appropriate.
2. Routing delays are for typical designs across worst-case operating conditions. These parameters should be used for estimating device performance. Post-route timing analysis or simulation is required to determine actual performance.
3. Data applies to macros based on the S-module. Timing parameters for sequential macros constructed from C-modules can be obtained from the Timer utility.
4. Set-up and hold timing parameters for the Input Buffer Latch are defined with respect to the PAD and the D input. External setup/hold timing parameters must account for delay from an external PAD signal to the G inputs. Delay from an external PAD signal to the G input subtracts (adds) to the internal setup (hold) time.
5. Delays based on 35 pF loading.

**Table 45 • A42MX36 Timing Characteristics (Nominal 3.3 V Operation)**  
(Worst-Case Commercial Conditions, VCCA = 3.0 V, T<sub>J</sub> = 70°C)

Parameter / Description	-3 Speed		-2 Speed		-1 Speed		Std Speed		-F Speed		Units
	Min.	Max.	Min.	Max.	Min.	Max.	Min.	Max.	Min.	Max.	
<b>Logic Module Combinatorial Functions<sup>1</sup></b>											
t <sub>PD</sub>	Internal Array Module Delay	1.9	2.1	2.3	2.7	3.8	ns				
t <sub>PDD</sub>	Internal Decode Module Delay	2.2	2.5	2.8	3.3	4.7	ns				
<b>Logic Module Predicted Routing Delays<sup>2</sup></b>											
t <sub>RD1</sub>	FO = 1 Routing Delay	1.3	1.5	1.7	2.0	2.7	ns				
t <sub>RD2</sub>	FO = 2 Routing Delay	1.8	2.0	2.3	2.7	3.7	ns				
t <sub>RD3</sub>	FO = 3 Routing Delay	2.3	2.5	2.8	3.4	4.7	ns				
t <sub>RD4</sub>	FO = 4 Routing Delay	2.8	3.1	3.5	4.1	5.7	ns				

**Table 45 • A42MX36 Timing Characteristics (Nominal 3.3 V Operation)**  
**(Worst-Case Commercial Conditions, VCCA = 3.0 V, T<sub>J</sub> = 70°C) (continued)**

Parameter / Description	-3 Speed		-2 Speed		-1 Speed		Std Speed		-F Speed		Units
	Min.	Max.	Min.	Max.	Min.	Max.	Min.	Max.	Min.	Max.	
t <sub>RD5</sub> FO = 8 Routing Delay		4.6		5.2		5.8		6.9		9.6	ns
t <sub>RDD</sub> Decode-to-Output Routing Delay		0.5		0.5		0.6		0.7		1.0	ns
<b>Logic Module Sequential Timing<sup>3, 4</sup></b>											
t <sub>CO</sub> Flip-Flop Clock-to-Output		1.8		2.0		2.3		2.7		3.7	ns
t <sub>GO</sub> Latch Gate-to-Output		1.8		2.0		2.3		2.7		3.7	ns
t <sub>SUD</sub> Flip-Flop (Latch) Set-Up Time	0.4		0.5		0.6		0.7		0.9		ns
t <sub>HD</sub> Flip-Flop (Latch) Hold Time	0.0		0.0		0.0		0.0		0.0		ns
t <sub>RO</sub> Flip-Flop (Latch) Reset-to-Output		2.2		2.4		2.7		3.2		4.5	ns
t <sub>SUENA</sub> Flip-Flop (Latch) Enable Set-Up	1.0		1.1		1.2		1.4		2.0		ns
t <sub>HENA</sub> Flip-Flop (Latch) Enable Hold	0.0		0.0		0.0		0.0		0.0		ns
t <sub>WCLKA</sub> Flip-Flop (Latch) Clock Active Pulse Width	4.6		5.2		5.8		6.9		9.6		ns
t <sub>WASYN</sub> Flip-Flop (Latch) Asynchronous Pulse Width	6.1		6.8		7.7		9.0		12.6		ns
<b>Synchronous SRAM Operations</b>											
t <sub>RC</sub> Read Cycle Time		9.5		10.5		11.9		14.0		19.6	ns
t <sub>WC</sub> Write Cycle Time		9.5		10.5		11.9		14.0		19.6	ns
t <sub>RCKHL</sub> Clock HIGH/LOW Time		4.8		5.3		6.0		7.0		9.8	ns
t <sub>RCO</sub> Data Valid After Clock HIGH/LOW		4.8		5.3		6.0		7.0		9.8	ns
t <sub>ADSU</sub> Address/Data Set-Up Time		2.3		2.5		2.8		3.4		4.8	ns

**Table 45 • A42MX36 Timing Characteristics (Nominal 3.3 V Operation)**  
**(Worst-Case Commercial Conditions, VCCA = 3.0 V, T<sub>J</sub> = 70°C) (continued)**

Parameter / Description	-3 Speed		-2 Speed		-1 Speed		Std Speed		-F Speed		Units
	Min.	Max.	Min.	Max.	Min.	Max.	Min.	Max.	Min.	Max.	
<b>Synchronous SRAM Operations</b>											
t <sub>ADH</sub>	Address/Data Hold Time		0.0	0.0	0.0	0.0	0.0	0.0	0.0	0.0	ns
t <sub>RENSU</sub>	Read Enable Set-Up		0.9	1.0	1.1	1.3	1.3	1.3	1.8	1.8	ns
t <sub>RENH</sub>	Read Enable Hold		4.8	5.3	6.0	7.0	7.0	7.0	9.8	9.8	ns
t <sub>WENSU</sub>	Write Enable Set-Up		3.8	4.2	4.8	5.6	5.6	5.6	7.8	7.8	ns
t <sub>WENH</sub>	Write Enable Hold		0.0	0.0	0.0	0.0	0.0	0.0	0.0	0.0	ns
t <sub>BENS</sub>	Block Enable Set-Up		3.9	4.3	4.9	5.7	5.7	5.7	8.0	8.0	ns
t <sub>BENH</sub>	Block Enable Hold		0.0	0.0	0.0	0.0	0.0	0.0	0.0	0.0	ns
<b>Asynchronous SRAM Operations</b>											
t <sub>RPD</sub>	Asynchronous Access Time		11.3	12.6	14.3	16.8	16.8	16.8	23.5	23.5	ns
t <sub>RDADV</sub>	Read Address Valid		12.3	13.7	15.5	18.2	18.2	18.2	25.5	25.5	ns
t <sub>ADSU</sub>	Address/Data Set-Up Time		2.3	2.5	2.8	3.4	3.4	3.4	4.8	4.8	ns
t <sub>ADH</sub>	Address/Data Hold Time		0.0	0.0	0.0	0.0	0.0	0.0	0.0	0.0	ns
t <sub>RENSUA</sub>	Read Enable Set-Up to Address Valid		0.9	1.0	1.1	1.3	1.3	1.3	1.8	1.8	ns
t <sub>RENHA</sub>	Read Enable Hold		4.8	5.3	6.0	7.0	7.0	7.0	9.8	9.8	ns
t <sub>WENSU</sub>	Write Enable Set-Up		3.8	4.2	4.8	5.6	5.6	5.6	7.8	7.8	ns
t <sub>WENH</sub>	Write Enable Hold		0.0	0.0	0.0	0.0	0.0	0.0	0.0	0.0	ns
t <sub>DOH</sub>	Data Out Hold Time		1.8	2.0	2.1	2.5	2.5	2.5	3.5	3.5	ns
<b>Input Module Propagation Delays</b>											
t <sub>INPY</sub>	Input Data Pad-to-Y		1.4	1.6	1.8	2.1	2.1	2.1	3.0	3.0	ns
t <sub>INGO</sub>	Input Latch Gate-to-Output		2.0	2.2	2.5	2.9	2.9	2.9	4.1	4.1	ns
t <sub>INH</sub>	Input Latch Hold		0.0	0.0	0.0	0.0	0.0	0.0	0.0	0.0	ns
t <sub>INSU</sub>	Input Latch Set-Up		0.7	0.7	0.8	1.0	1.0	1.0	1.4	1.4	ns
t <sub>ILA</sub>	Latch Active Pulse Width		6.5	7.3	8.2	9.7	9.7	9.7	13.5	13.5	ns

**Table 45 • A42MX36 Timing Characteristics (Nominal 3.3 V Operation)**  
**(Worst-Case Commercial Conditions, VCCA = 3.0 V, T<sub>J</sub> = 70°C) (continued)**

Parameter / Description		-3 Speed		-2 Speed		-1 Speed		Std Speed		-F Speed		Units
		Min.	Max.	Min.	Max.	Min.	Max.	Min.	Max.	Min.	Max.	
<b>Input Module Predicted Routing Delays<sup>2</sup></b>												
t <sub>IRD1</sub>	FO = 1 Routing Delay		2.8	3.1	3.5	4.1	5.7	ns				
t <sub>IRD2</sub>	FO = 2 Routing Delay		3.2	3.5	4.1	4.8	6.7	ns				
t <sub>IRD3</sub>	FO = 3 Routing Delay		3.7	4.1	4.7	5.5	7.7	ns				
t <sub>IRD4</sub>	FO = 4 Routing Delay		4.2	4.6	5.3	6.2	8.7	ns				
t <sub>IRD8</sub>	FO = 8 Routing Delay		6.1	6.8	7.7	9.0	12.6	ns				
<b>Global Clock Network</b>												
t <sub>CKH</sub>	Input LOW to HIGH	FO = 32	4.6	5.1	5.7	6.7	9.3	ns				
		FO = 635	5.0	5.6	6.3	7.4	10.3	ns				
t <sub>CKL</sub>	Input HIGH to LOW	FO = 32	5.3	5.9	6.7	7.8	11.0	ns				
		FO = 635	6.8	7.6	8.6	10.1	14.1	ns				
t <sub>PWH</sub>	Minimum Pulse Width HIGH	FO = 32	2.5	2.7	3.1	3.6	5.1	ns				
		FO = 635	2.8	3.1	3.5	4.1	5.7	ns				
t <sub>PWL</sub>	Minimum Pulse Width LOW	FO = 32	2.5	2.7	3.1	3.6	5.1	ns				
		FO = 635	2.8	3.1	3.5	4.1	5.7	ns				
t <sub>CKSW</sub>	Maximum Skew	FO = 32	1.0	1.2	1.3	1.5	2.2	ns				
		FO = 635	1.0	1.2	1.3	1.5	2.2	ns				
t <sub>SUEXT</sub>	Input Latch External Set-Up	FO = 32	0.0	0.0	0.0	0.0	0.0	ns				
		FO = 635	0.0	0.0	0.0	0.0	0.0	ns				
t <sub>HEXT</sub>	Input Latch External Hold	FO = 32	4.0	4.4	5.0	5.9	8.2	ns				
		FO = 635	4.6	5.2	5.9	6.9	9.6	ns				
t <sub>P</sub>	Minimum Period (1/f <sub>MAX</sub> )	FO = 32	9.2	10.2	11.1	12.7	21.2	ns				
		FO = 635	9.9	11.0	12.0	13.8	23.0	ns				
f <sub>MAX</sub>	Maximum Datapath Frequency	FO = 32	108	98	90	79	47	MHz				
		FO = 635	100	91	83	73	44	MHz				
<b>TTL Output Module Timing<sup>5</sup></b>												
t <sub>DLH</sub>	Data-to-Pad HIGH		3.6	4.0	4.5	5.3	7.4	ns				
t <sub>DHL</sub>	Data-to-Pad LOW		4.2	4.6	5.2	6.2	8.6	ns				
t <sub>ENZH</sub>	Enable Pad Z to HIGH		3.7	4.2	4.7	5.5	7.7	ns				
t <sub>ENZL</sub>	Enable Pad Z to LOW		4.1	4.6	5.2	6.1	8.5	ns				
t <sub>ENHZ</sub>	Enable Pad HIGH to Z		7.34	8.2	9.3	10.9	15.3	ns				
<b>TTL Output Module Timing<sup>5</sup></b>												
t <sub>ENLZ</sub>	Enable Pad LOW to Z		6.9	7.6	8.7	10.2	14.3	ns				
t <sub>GLH</sub>	G-to-Pad HIGH		4.9	5.5	6.2	7.3	10.2	ns				
t <sub>GHL</sub>	G-to-Pad LOW		4.9	5.5	6.2	7.3	10.2	ns				
t <sub>LSU</sub>	I/O Latch Output Set-Up		0.7	0.7	0.8	1.0	1.4	ns				
t <sub>LH</sub>	I/O Latch Output Hold		0.0	0.0	0.0	0.0	0.0	ns				
t <sub>LCO</sub>	I/O Latch Clock-to-Out (Pad-to-Pad) 32 I/O		7.9	8.8	10.0	11.8	16.5	ns				

**Table 45 • A42MX36 Timing Characteristics (Nominal 3.3 V Operation)  
(Worst-Case Commercial Conditions, VCCA = 3.0 V, T<sub>J</sub> = 70°C) (continued)**

Parameter / Description	-3 Speed		-2 Speed		-1 Speed		Std Speed		-F Speed		Units
	Min.	Max.	Min.	Max.	Min.	Max.	Min.	Max.	Min.	Max.	
t <sub>ACO</sub> Array Latch Clock-to-Out (Pad-to-Pad) 32 I/O		10.9		12.1		13.7		16.1		22.5	ns
d <sub>TLH</sub> Capacitive Loading, LOW to HIGH		0.10		0.11		0.12		0.14		0.20	ns/pF
d <sub>THL</sub> Capacitive Loading, HIGH to LOW		0.10		0.11		0.12		0.14		0.20	ns/pF
<b>CMOS Output Module Timing<sup>5</sup></b>											
t <sub>DLH</sub> Data-to-Pad HIGH		4.9		5.5		6.2		7.3		10.3	ns
t <sub>DHL</sub> Data-to-Pad LOW		3.4		3.8		4.3		5.1		7.1	ns
t <sub>ENZH</sub> Enable Pad Z to HIGH		3.7		4.1		4.7		5.5		7.7	ns
t <sub>ENZL</sub> Enable Pad Z to LOW		4.1		4.6		5.2		6.1		8.5	ns
t <sub>ENHZ</sub> Enable Pad HIGH to Z		7.4		8.2		9.3		10.9		15.3	ns
t <sub>ENLZ</sub> Enable Pad LOW to Z		6.9		7.6		8.7		10.2		14.3	ns
t <sub>GLH</sub> G-to-Pad HIGH		7.0		7.8		8.9		10.4		14.6	ns
t <sub>GHL</sub> G-to-Pad LOW		7.0		7.8		8.9		10.4		14.6	ns
t <sub>LSU</sub> I/O Latch Set-Up	0.7		0.7		0.8		1.0		1.4		ns
t <sub>LH</sub> I/O Latch Hold	0.0		0.0		0.0		0.0		0.0		ns
t <sub>LCO</sub> I/O Latch Clock-to-Out (Pad-to-Pad) 32 I/O		7.9		8.8		10.0		11.8		16.5	ns

1. For dual-module macros, use t<sub>PD1</sub> + t<sub>RD1</sub> + t<sub>PDn</sub>, t<sub>CO</sub> + t<sub>RD1</sub> + t<sub>PDn</sub>, or t<sub>PD1</sub> + t<sub>RD1</sub> + t<sub>SUD</sub>, whichever is appropriate.
2. Routing delays are for typical designs across worst-case operating conditions. These parameters should be used for estimating device performance. Post-route timing analysis or simulation is required to determine actual performance.
3. Data applies to macros based on the S-module. Timing parameters for sequential macros constructed from C-modules can be obtained from the Timer utility.
4. *Set-up and hold timing parameters for the Input Buffer Latch are defined with respect to the PAD and the D input. External setup/hold timing parameters must account for delay from an external PAD signal to the G inputs. Delay from an external PAD signal to the G input subtracts (adds) to the internal setup (hold) time.*
5. Delays based on 35 pF loading.

## 3.12 Pin Descriptions

This section lists the pin descriptions for 40MX and 42MX series FPGAs.

### CLK/A/B, I/O Global Clock

Clock inputs for clock distribution networks. CLK is for 40MX while CLKA and CLKB are for 42MX devices. The clock input is buffered prior to clocking the logic modules. This pin can also be used as an I/O.

### DCLK, I/O Diagnostic Clock

Clock input for diagnostic probe and device programming. DCLK is active when the MODE pin is HIGH. This pin functions as an I/O when the MODE pin is LOW.

### GND, Ground

Input LOW supply voltage.

### I/O, Input/Output

Input, output, tristate or bidirectional buffer. Input and output levels are compatible with standard TTL and CMOS specifications. Unused I/Os pins are configured by the Designer software as shown in [Table 46](#), page 86.

**Table 46 • Configuration of Unused I/Os**

Device	Configuration
A40MX02, A40MX04	Pulled LOW
A42MX09, A42MX16	Pulled LOW
A42MX24, A42MX36	Tristated

In all cases, it is recommended to tie all unused MX I/O pins to LOW on the board. This applies to all dual-purpose pins when configured as I/Os as well.

#### **LP, Low Power Mode**

Controls the low power mode of all 42MX devices. The device is placed in the low power mode by connecting the LP pin to logic HIGH. In low power mode, all I/Os are tristated, all input buffers are turned OFF, and the core of the device is turned OFF. To exit the low power mode, the LP pin must be set to LOW. The device enters the low power mode 800 ns after the LP pin is driven to a logic HIGH. It will resume normal operation in 200  $\mu$ s after the LP pin is driven to a logic LOW.

#### **MODE, Mode**

Controls the use of multifunction pins (DCLK, PRA, PRB, SDI, TDO). The MODE pin is held HIGH to provide verification capability. The MODE pin should be terminated to GND through a 10k $\Omega$  resistor so that the MODE pin can be pulled HIGH when required.

#### **NC, No Connection**

This pin is not connected to circuitry within the device. These pins can be driven to any voltage or can be left floating with no effect on the operation of the device.

#### **PRA, I/O**

#### **PRB, I/OProbe A/B**

The probe pin is used to output data from any user-defined design node within the device. Each diagnostic pin can be used in conjunction with the other probe pin to allow real-time diagnostic output of any signal path within the device. The probe pin can be used as a user-defined I/O when verification has been completed. The pin's probe capabilities can be permanently disabled to protect programmed design confidentiality. The probe pin is accessible when the MODE pin is HIGH. This pin functions as an I/O when the MODE pin is LOW.

#### **QCLKA/B/C/D, I/O Quadrant Clock**

Quadrant clock inputs for A42MX36 devices. When not used as a register control signal, these pins can function as user I/Os.

#### **SDI, I/O Serial Data Input**

Serial data input for diagnostic probe and device programming. SDI is active when the MODE pin is HIGH. This pin functions as an I/O when the MODE pin is LOW.

#### **SDO, I/O Serial Data Output**

Serial data output for diagnostic probe and device programming. SDO is active when the MODE pin is HIGH. This pin functions as an I/O when the MODE pin is LOW. SDO is available for 42MX devices only.

When Silicon Explorer II is being used, SDO will act as an output while the “checksum” command is run. It will return to user I/O when “checksum” is complete.

**TCK, I/O Test Clock**

Clock signal to shift the boundary scan test (BST) data into the device. This pin functions as an I/O when "Reserve JTAG" is not checked in the Designer Software. BST pins are only available in A42MX24 and A42MX36 devices.

**TDI, I/O Test Data In**

Serial data input for BST instructions and test data. Data is shifted in on the rising edge of TCK. This pin functions as an I/O when "Reserve JTAG" is not checked in the Designer Software. BST pins are only available in A42MX24 and A42MX36 devices.

**TDO, I/O Test Data Out**

Serial data output for BST instructions and test data. This pin functions as an I/O when "Reserve JTAG" is not checked in the Designer Software. BST pins are only available in A42MX24 and A42MX36 devices.

**TMS, I/O Test Mode Select**

The TMS pin controls the use of the IEEE 1149.1 boundary scan pins (TCK, TDI, TDO). In flexible mode when the TMS pin is set to LOW, the TCK, TDI and TDO pins act as boundary scan pins. Once the boundary scan pins are in test mode, they will remain in that mode until the internal boundary scan state machine reaches the "logic reset" state. At this point, the boundary scan pins will be released and will function as regular I/O pins. The "logic reset" state is reached 5 TCK cycles after the TMS pin is set to HIGH. In dedicated test mode, TMS functions as specified in the IEEE 1149.1 specifications. IEEE JTAG specification recommends a 10k $\Omega$  pull-up resistor on the pin. BST pins are only available in A42MX24 and A42MX36 devices.

**VCC, Supply Voltage**

Input supply voltage for 40MX devices

**VCCA, Supply Voltage**

Supply voltage for an array in 42MX devices

**VCCI, Supply Voltage**

Supply voltage for I/Os in 42MX devices

**WD, I/O Wide Decode Output**

When a wide decode module is used in a 42MX device; this pin can be used as a dedicated output from the wide decode module. This direct connection eliminates additional interconnect delays associated with regular logic modules. To implement the direct I/O connection, connect an output buffer of any type to the output of the wide decode macro and place this output on one of the reserved WD pins.

## 4 Package Pin Assignments

The following figures and tables give the details of the package pin assignments.

**Figure 38 • PL44**



**Table 47 • PL44**

PL44		
Pin Number	A40MX02 Function	A40MX04 Function
1	I/O	I/O
2	I/O	I/O
3	VCC	VCC
4	I/O	I/O
5	I/O	I/O
6	I/O	I/O
7	I/O	I/O
8	I/O	I/O
9	I/O	I/O
10	GND	GND
11	I/O	I/O
12	I/O	I/O
13	I/O	I/O
14	VCC	VCC
15	I/O	I/O
16	VCC	VCC
17	I/O	I/O
18	I/O	I/O
19	I/O	I/O
20	I/O	I/O

**Table 47 • PL44 (continued)**

<b>PL44</b>		
<b>Pin Number</b>	<b>A40MX02 Function</b>	<b>A40MX04 Function</b>
21	GND	GND
22	I/O	I/O
23	I/O	I/O
24	I/O	I/O
25	VCC	VCC
26	I/O	I/O
27	I/O	I/O
28	I/O	I/O
29	I/O	I/O
30	I/O	I/O
31	I/O	I/O
32	GND	GND
33	CLK, I/O	CLK, I/O
34	MODE	MODE
35	VCC	VCC
36	SDI, I/O	SDI, I/O
37	DCLK, I/O	DCLK, I/O
38	PRA, I/O	PRA, I/O
39	PRB, I/O	PRB, I/O
40	I/O	I/O
41	I/O	I/O
42	I/O	I/O
43	GND	GND
44	I/O	I/O

**Figure 39 • PL68**



**Table 48 • PL68**

<b>PL68</b>		
<b>Pin Number</b>	<b>A40MX02 Function</b>	<b>A40MX04 Function</b>
1	I/O	I/O
2	I/O	I/O
3	I/O	I/O
4	VCC	VCC
5	I/O	I/O
6	I/O	I/O
7	I/O	I/O
8	I/O	I/O
9	I/O	I/O
10	I/O	I/O
11	I/O	I/O
12	I/O	I/O
13	I/O	I/O
14	GND	GND
15	GND	GND
16	I/O	I/O
17	I/O	I/O
18	I/O	I/O
19	I/O	I/O
20	I/O	I/O
21	VCC	VCC
22	I/O	I/O
23	I/O	I/O

**Table 48 • PL68 (continued)**

<b>PL68</b>		
<b>Pin Number</b>	<b>A40MX02 Function</b>	<b>A40MX04 Function</b>
24	I/O	I/O
25	VCC	VCC
26	I/O	I/O
27	I/O	I/O
28	I/O	I/O
29	I/O	I/O
30	I/O	I/O
31	I/O	I/O
32	GND	GND
33	I/O	I/O
34	I/O	I/O
35	I/O	I/O
36	I/O	I/O
37	I/O	I/O
38	VCC	VCC
39	I/O	I/O
40	I/O	I/O
41	I/O	I/O
42	I/O	I/O
43	I/O	I/O
44	I/O	I/O
45	I/O	I/O
46	I/O	I/O
47	I/O	I/O
48	I/O	I/O
49	GND	GND
50	I/O	I/O
51	I/O	I/O
52	CLK, I/O	CLK, I/O
53	I/O	I/O
54	MODE	MODE
55	VCC	VCC
56	SDI, I/O	SDI, I/O
57	DCLK, I/O	DCLK, I/O
58	PRA, I/O	PRA, I/O
59	PRB, I/O	PRB, I/O
60	I/O	I/O

**Table 48 • PL68 (continued)**

<b>PL68</b>		
<b>Pin Number</b>	<b>A40MX02 Function</b>	<b>A40MX04 Function</b>
61	I/O	I/O
62	I/O	I/O
63	I/O	I/O
64	I/O	I/O
65	I/O	I/O
66	GND	GND
67	I/O	I/O
68	I/O	I/O

**Figure 40 • PL84**



**Table 49 • PL84**

<b>PL84</b>				
<b>Pin Number</b>	<b>A40MX04 Function</b>	<b>A42MX09 Function</b>	<b>A42MX16 Function</b>	<b>A42MX24 Function</b>
1	I/O	I/O	I/O	I/O
2	I/O	CLKB, I/O	CLKB, I/O	CLKB, I/O
3	I/O	I/O	I/O	I/O
4	VCC	PRB, I/O	PRB, I/O	PRB, I/O
5	I/O	I/O	I/O	WD, I/O
6	I/O	GND	GND	GND
7	I/O	I/O	I/O	I/O
8	I/O	I/O	I/O	WD, I/O
9	I/O	I/O	I/O	WD, I/O

**Table 49 • PL84 (continued)**

<b>PL84</b>				
<b>Pin Number</b>	<b>A40MX04 Function</b>	<b>A42MX09 Function</b>	<b>A42MX16 Function</b>	<b>A42MX24 Function</b>
10	I/O	DCLK, I/O	DCLK, I/O	DCLK, I/O
11	I/O	I/O	I/O	I/O
12	NC	MODE	MODE	MODE
13	I/O	I/O	I/O	I/O
14	I/O	I/O	I/O	I/O
15	I/O	I/O	I/O	I/O
16	I/O	I/O	I/O	I/O
17	I/O	I/O	I/O	I/O
18	GND	I/O	I/O	I/O
19	GND	I/O	I/O	I/O
20	I/O	I/O	I/O	I/O
21	I/O	I/O	I/O	I/O
22	I/O	VCCA	VCCI	VCCI
23	I/O	VCCI	VCCA	VCCA
24	I/O	I/O	I/O	I/O
25	VCC	I/O	I/O	I/O
26	VCC	I/O	I/O	I/O
27	I/O	I/O	I/O	I/O
28	I/O	GND	GND	GND
29	I/O	I/O	I/O	I/O
30	I/O	I/O	I/O	I/O
31	I/O	I/O	I/O	I/O
32	I/O	I/O	I/O	I/O
33	VCC	I/O	I/O	I/O
34	I/O	I/O	I/O	TMS, I/O
35	I/O	I/O	I/O	TDI, I/O
36	I/O	I/O	I/O	WD, I/O
37	I/O	I/O	I/O	I/O
38	I/O	I/O	I/O	WD, I/O
39	I/O	I/O	I/O	WD, I/O
40	GND	I/O	I/O	I/O
41	I/O	I/O	I/O	I/O
42	I/O	I/O	I/O	I/O
43	I/O	VCCA	VCCA	VCCA
44	I/O	I/O	I/O	WD, I/O
45	I/O	I/O	I/O	WD, I/O
46	VCC	I/O	I/O	WD, I/O

**Table 49 • PL84 (continued)**

<b>PL84</b>				
<b>Pin Number</b>	<b>A40MX04 Function</b>	<b>A42MX09 Function</b>	<b>A42MX16 Function</b>	<b>A42MX24 Function</b>
47	I/O	I/O	I/O	WD, I/O
48	I/O	I/O	I/O	I/O
49	I/O	GND	GND	GND
50	I/O	I/O	I/O	WD, I/O
51	I/O	I/O	I/O	WD, I/O
52	I/O	SDO, I/O	SDO, I/O	SDO, TDO, I/O
53	I/O	I/O	I/O	I/O
54	I/O	I/O	I/O	I/O
55	I/O	I/O	I/O	I/O
56	I/O	I/O	I/O	I/O
57	I/O	I/O	I/O	I/O
58	I/O	I/O	I/O	I/O
59	I/O	I/O	I/O	I/O
60	GND	I/O	I/O	I/O
61	GND	I/O	I/O	I/O
62	I/O	I/O	I/O	TCK, I/O
63	I/O	LP	LP	LP
64	CLK, I/O	VCCA	VCCA	VCCA
65	I/O	VCCI	VCCI	VCCI
66	MODE	I/O	I/O	I/O
67	VCC	I/O	I/O	I/O
68	VCC	I/O	I/O	I/O
69	I/O	I/O	I/O	I/O
70	I/O	GND	GND	GND
71	I/O	I/O	I/O	I/O
72	SDI, I/O	I/O	I/O	I/O
73	DCLK, I/O	I/O	I/O	I/O
74	PRA, I/O	I/O	I/O	I/O
75	PRB, I/O	I/O	I/O	I/O
76	I/O	SDI, I/O	SDI, I/O	SDI, I/O
77	I/O	I/O	I/O	I/O
78	I/O	I/O	I/O	WD, I/O
79	I/O	I/O	I/O	WD, I/O
80	I/O	I/O	I/O	WD, I/O
81	I/O	PRA, I/O	PRA, I/O	PRA, I/O
82	GND	I/O	I/O	I/O
83	I/O	CLKA, I/O	CLKA, I/O	CLKA, I/O

**Table 49 • PL84 (continued)**

<b>PL84</b>				
<b>Pin Number</b>	<b>A40MX04 Function</b>	<b>A42MX09 Function</b>	<b>A42MX16 Function</b>	<b>A42MX24 Function</b>
84	I/O	VCCA	VCCA	VCCA

**Figure 41 • PQ100**



**Table 50 • PQ 100**

<b>PQ100</b>				
<b>Pin Number</b>	<b>A40MX02 Function</b>	<b>A40MX04 Function</b>	<b>A42MX09 Function</b>	<b>A42MX16 Function</b>
1	NC	NC	I/O	I/O
2	NC	NC	DCLK, I/O	DCLK, I/O
3	NC	NC	I/O	I/O
4	NC	NC	MODE	MODE
5	NC	NC	I/O	I/O
6	PRB, I/O	PRB, I/O	I/O	I/O
7	I/O	I/O	I/O	I/O
8	I/O	I/O	I/O	I/O
9	I/O	I/O	GND	GND
10	I/O	I/O	I/O	I/O
11	I/O	I/O	I/O	I/O
12	I/O	I/O	I/O	I/O
13	GND	GND	I/O	I/O
14	I/O	I/O	I/O	I/O
15	I/O	I/O	I/O	I/O
16	I/O	I/O	VCCA	VCCA
17	I/O	I/O	VCCI	VCCA
18	I/O	I/O	I/O	I/O

**Table 50 • PQ 100 (continued)**

<b>PQ100</b>				
<b>Pin Number</b>	<b>A40MX02 Function</b>	<b>A40MX04 Function</b>	<b>A42MX09 Function</b>	<b>A42MX16 Function</b>
19	VCC	V <sub>CC</sub>	I/O	I/O
20	I/O	I/O	I/O	I/O
21	I/O	I/O	I/O	I/O
22	I/O	I/O	GND	GND
23	I/O	I/O	I/O	I/O
24	I/O	I/O	I/O	I/O
25	I/O	I/O	I/O	I/O
26	I/O	I/O	I/O	I/O
27	NC	NC	I/O	I/O
28	NC	NC	I/O	I/O
29	NC	NC	I/O	I/O
30	NC	NC	I/O	I/O
31	NC	I/O	I/O	I/O
32	NC	I/O	I/O	I/O
33	NC	I/O	I/O	I/O
34	I/O	I/O	GND	GND
35	I/O	I/O	I/O	I/O
36	GND	GND	I/O	I/O
37	GND	GND	I/O	I/O
38	I/O	I/O	I/O	I/O
39	I/O	I/O	I/O	I/O
40	I/O	I/O	VCCA	VCCA
41	I/O	I/O	I/O	I/O
42	I/O	I/O	I/O	I/O
43	VCC	VCC	I/O	I/O
44	VCC	VCC	I/O	I/O
45	I/O	I/O	I/O	I/O
46	I/O	I/O	GND	GND
47	I/O	I/O	I/O	I/O
48	NC	I/O	I/O	I/O
49	NC	I/O	I/O	I/O
50	NC	I/O	I/O	I/O
51	NC	NC	I/O	I/O
52	NC	NC	SDO, I/O	SDO, I/O
53	NC	NC	I/O	I/O
54	NC	NC	I/O	I/O
55	NC	NC	I/O	I/O

**Table 50 • PQ 100 (continued)**

<b>PQ100</b>				
<b>Pin Number</b>	<b>A40MX02 Function</b>	<b>A40MX04 Function</b>	<b>A42MX09 Function</b>	<b>A42MX16 Function</b>
56	VCC	VCC	I/O	I/O
57	I/O	I/O	GND	GND
58	I/O	I/O	I/O	I/O
59	I/O	I/O	I/O	I/O
60	I/O	I/O	I/O	I/O
61	I/O	I/O	I/O	I/O
62	I/O	I/O	I/O	I/O
63	GND	GND	I/O	I/O
64	I/O	I/O	LP	LP
65	I/O	I/O	VCCA	VCCA
66	I/O	I/O	VCCI	VCCI
67	I/O	I/O	VCCA	VCCA
68	I/O	I/O	I/O	I/O
69	VCC	VCC	I/O	I/O
70	I/O	I/O	I/O	I/O
71	I/O	I/O	I/O	I/O
72	I/O	I/O	GND	GND
73	I/O	I/O	I/O	I/O
74	I/O	I/O	I/O	I/O
75	I/O	I/O	I/O	I/O
76	I/O	I/O	I/O	I/O
77	NC	NC	I/O	I/O
78	NC	NC	I/O	I/O
79	NC	NC	SDI, I/O	SDI, I/O
80	NC	I/O	I/O	I/O
81	NC	I/O	I/O	I/O
82	NC	I/O	I/O	I/O
83	I/O	I/O	I/O	I/O
84	I/O	I/O	GND	GND
85	I/O	I/O	I/O	I/O
86	GND	GND	I/O	I/O
87	GND	GND	PRA, I/O	PRA, I/O
88	I/O	I/O	I/O	I/O
89	I/O	I/O	CLKA, I/O	CLKA, I/O
90	CLK, I/O	CLK, I/O	VCCA	VCCA
91	I/O	I/O	I/O	I/O
92	MODE	MODE	CLKB, I/O	CLKB, I/O

**Table 50 • PQ 100 (continued)**

<b>PQ100</b>				
<b>Pin Number</b>	<b>A40MX02 Function</b>	<b>A40MX04 Function</b>	<b>A42MX09 Function</b>	<b>A42MX16 Function</b>
93	VCC	VCC	I/O	I/O
94	VCC	VCC	PRB, I/O	PRB, I/O
95	NC	I/O	I/O	I/O
96	NC	I/O	GND	GND
97	NC	I/O	I/O	I/O
98	SDI, I/O	SDI, I/O	I/O	I/O
99	DCLK, I/O	DCLK, I/O	I/O	I/O
100	PRA, I/O	PRA, I/O	I/O	I/O

**Figure 42 • PQ144**



**Table 51 • PQ144**

PQ144	
Pin Number	A42MX09 Function
1	I/O
2	MODE
3	I/O
4	I/O
5	I/O

**Table 51 • PQ144 (continued)**

<b>PQ144</b>	
<b>Pin Number</b>	<b>A42MX09 Function</b>
6	I/O
7	I/O
8	I/O
9	GNDQ
10	GNDI
11	NC
12	I/O
13	I/O
14	I/O
15	I/O
16	I/O
17	I/O
18	VSV
19	VCC
20	VCCI
21	NC
22	I/O
23	I/O
24	I/O
25	I/O
26	I/O
27	I/O
28	GND
29	GNDI
30	NC
31	I/O
32	I/O
33	I/O
34	I/O
35	I/O
36	I/O
37	BININ
38	BINOUT
39	I/O
40	I/O
41	I/O
42	I/O

**Table 51 • PQ144 (continued)**

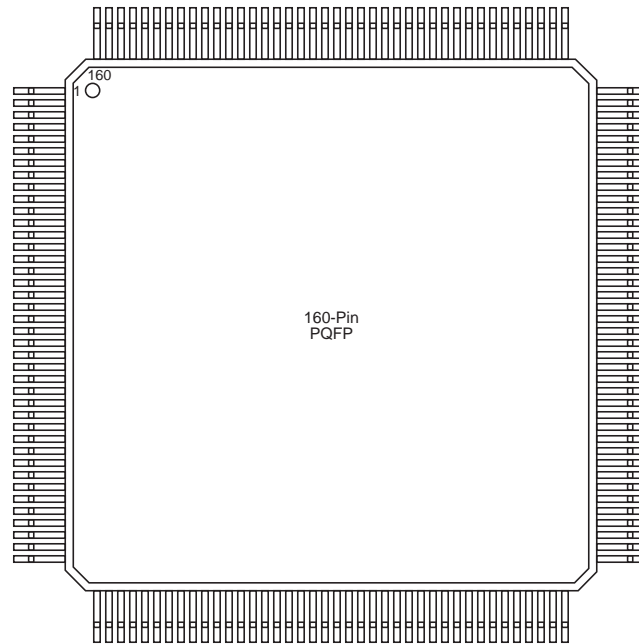
<b>PQ144</b>	
<b>Pin Number</b>	<b>A42MX09 Function</b>
43	I/O
44	GNDQ
45	GNDI
46	NC
47	I/O
48	I/O
49	I/O
50	I/O
51	I/O
52	I/O
53	I/O
54	VCC
55	VCCI
56	NC
57	I/O
58	I/O
59	I/O
60	I/O
61	I/O
62	I/O
63	I/O
64	GND
65	GNDI
66	I/O
67	I/O
68	I/O
69	I/O
70	I/O
71	SDO
72	I/O
73	I/O
74	I/O
75	I/O
76	I/O
77	I/O
78	I/O
79	GNDQ

**Table 51 • PQ144 (continued)**

<b>PQ144</b>	
<b>Pin Number</b>	<b>A42MX09 Function</b>
80	GNDI
81	NC
82	I/O
83	I/O
84	I/O
85	I/O
86	I/O
87	I/O
88	VKS
89	VPP
90	VCC
91	VCCI
92	NC
93	VSV
94	I/O
95	I/O
96	I/O
97	I/O
98	I/O
99	I/O
100	GND
101	GNDI
102	NC
103	I/O
104	I/O
105	I/O
106	I/O
107	I/O
108	I/O
109	I/O
110	SDI
111	I/O
112	I/O
113	I/O
114	I/O
115	I/O
116	GNDQ

**Table 51 • PQ144 (continued)**

<b>PQ144</b>	
<b>Pin Number</b>	<b>A42MX09 Function</b>
117	GNDI
118	NC
119	I/O
120	I/O
121	I/O
122	I/O
123	PROBA
124	I/O
125	CLKA
126	VCC
127	VCCI
128	NC
129	I/O
130	CLKB
131	I/O
132	PROBB
133	I/O
134	I/O
135	I/O
136	GND
137	GNDI
138	NC
139	I/O
140	I/O
141	I/O
142	I/O
143	I/O
144	DCLK

**Figure 43 • PQ160****Table 52 • PQ160**

<b>PQ160</b>			
<b>Pin Number</b>	<b>A42MX09 Function</b>	<b>A42MX16 Function</b>	<b>A42MX24 Function</b>
1	I/O	I/O	I/O
2	DCLK, I/O	DCLK, I/O	DCLK, I/O
3	NC	I/O	I/O
4	I/O	I/O	WD, I/O
5	I/O	I/O	WD, I/O
6	NC	VCCI	VCCI
7	I/O	I/O	I/O
8	I/O	I/O	I/O
9	I/O	I/O	I/O
10	NC	I/O	I/O
11	GND	GND	GND
12	NC	I/O	I/O
13	I/O	I/O	WD, I/O
14	I/O	I/O	WD, I/O
15	I/O	I/O	I/O
16	PRB, I/O	PRB, I/O	PRB, I/O
17	I/O	I/O	I/O
18	CLKB, I/O	CLKB, I/O	CLKB, I/O
19	I/O	I/O	I/O
20	VCCA	VCCA	VCCA

**Table 52 • PQ160 (continued)**

<b>PQ160</b>			
<b>Pin Number</b>	<b>A42MX09 Function</b>	<b>A42MX16 Function</b>	<b>A42MX24 Function</b>
21	CLKA, I/O	CLKA, I/O	CLKA, I/O
22	I/O	I/O	I/O
23	PRA, I/O	PRA, I/O	PRA, I/O
24	NC	I/O	WD, I/O
25	I/O	I/O	WD, I/O
26	I/O	I/O	I/O
27	I/O	I/O	I/O
28	NC	I/O	I/O
29	I/O	I/O	WD, I/O
30	GND	GND	GND
31	NC	I/O	WD, I/O
32	I/O	I/O	I/O
33	I/O	I/O	I/O
34	I/O	I/O	I/O
35	NC	VCCI	VCCI
36	I/O	I/O	WD, I/O
37	I/O	I/O	WD, I/O
38	SDI, I/O	SDI, I/O	SDI, I/O
39	I/O	I/O	I/O
40	GND	GND	GND
41	I/O	I/O	I/O
42	I/O	I/O	I/O
43	I/O	I/O	I/O
44	GND	GND	GND
45	I/O	I/O	I/O
46	I/O	I/O	I/O
47	I/O	I/O	I/O
48	I/O	I/O	I/O
49	GND	GND	GND
50	I/O	I/O	I/O
51	I/O	I/O	I/O
52	NC	I/O	I/O
53	I/O	I/O	I/O
54	NC	VCCA	VCCA
55	I/O	I/O	I/O
56	I/O	I/O	I/O
57	VCCA	VCCA	VCCA

**Table 52 • PQ160 (continued)**

<b>PQ160</b>			
<b>Pin Number</b>	<b>A42MX09 Function</b>	<b>A42MX16 Function</b>	<b>A42MX24 Function</b>
58	VCCI	VCCI	VCCI
59	GND	GND	GND
60	VCCA	VCCA	VCCA
61	LP	LP	LP
62	I/O	I/O	TCK, I/O
63	I/O	I/O	I/O
64	GND	GND	GND
65	I/O	I/O	I/O
66	I/O	I/O	I/O
67	I/O	I/O	I/O
68	I/O	I/O	I/O
69	GND	GND	GND
70	NC	I/O	I/O
71	I/O	I/O	I/O
72	I/O	I/O	I/O
73	I/O	I/O	I/O
74	I/O	I/O	I/O
75	NC	I/O	I/O
76	I/O	I/O	I/O
77	NC	I/O	I/O
78	I/O	I/O	I/O
79	NC	I/O	I/O
80	GND	GND	GND
81	I/O	I/O	I/O
82	SDO, I/O	SDO, I/O	SDO, TDO, I/O
83	I/O	I/O	WD, I/O
84	I/O	I/O	WD, I/O
85	I/O	I/O	I/O
86	NC	VCCI	VCCI
87	I/O	I/O	I/O
88	I/O	I/O	WD, I/O
89	GND	GND	GND
90	NC	I/O	I/O
91	I/O	I/O	I/O
92	I/O	I/O	I/O
93	I/O	I/O	I/O
94	I/O	I/O	I/O

**Table 52 • PQ160 (continued)**

<b>PQ160</b>			
<b>Pin Number</b>	<b>A42MX09 Function</b>	<b>A42MX16 Function</b>	<b>A42MX24 Function</b>
95	I/O	I/O	I/O
96	I/O	I/O	WD, I/O
97	I/O	I/O	I/O
98	VCCA	VCCA	VCCA
99	GND	GND	GND
100	NC	I/O	I/O
101	I/O	I/O	I/O
102	I/O	I/O	I/O
103	NC	I/O	I/O
104	I/O	I/O	I/O
105	I/O	I/O	I/O
106	I/O	I/O	WD, I/O
107	I/O	I/O	WD, I/O
108	I/O	I/O	I/O
109	GND	GND	GND
110	NC	I/O	I/O
111	I/O	I/O	WD, I/O
112	I/O	I/O	WD, I/O
113	I/O	I/O	I/O
114	NC	VCCI	VCCI
115	I/O	I/O	WD, I/O
116	NC	I/O	WD, I/O
117	I/O	I/O	I/O
118	I/O	I/O	TDI, I/O
119	I/O	I/O	TMS, I/O
120	GND	GND	GND
121	I/O	I/O	I/O
122	I/O	I/O	I/O
123	I/O	I/O	I/O
124	NC	I/O	I/O
125	GND	GND	GND
126	I/O	I/O	I/O
127	I/O	I/O	I/O
128	I/O	I/O	I/O
129	NC	I/O	I/O
130	GND	GND	GND
131	I/O	I/O	I/O

**Table 52 • PQ160 (continued)**

<b>PQ160</b>			
<b>Pin Number</b>	<b>A42MX09 Function</b>	<b>A42MX16 Function</b>	<b>A42MX24 Function</b>
132	I/O	I/O	I/O
133	I/O	I/O	I/O
134	I/O	I/O	I/O
135	NC	VCCA	VCCA
136	I/O	I/O	I/O
137	I/O	I/O	I/O
138	NC	VCCA	VCCA
139	VCCI	VCCI	VCCI
140	GND	GND	GND
141	NC	I/O	I/O
142	I/O	I/O	I/O
143	I/O	I/O	I/O
144	I/O	I/O	I/O
145	GND	GND	GND
146	NC	I/O	I/O
147	I/O	I/O	I/O
148	I/O	I/O	I/O
149	I/O	I/O	I/O
150	NC	VCCA	VCCA
151	NC	I/O	I/O
152	NC	I/O	I/O
153	NC	I/O	I/O
154	NC	I/O	I/O
155	GND	GND	GND
156	I/O	I/O	I/O
157	I/O	I/O	I/O
158	I/O	I/O	I/O
159	MODE	MODE	MODE
160	GND	GND	GND

Figure 44 • PQ208



Table 53 • PQ208

PQ208			
Pin Number	A42MX16 Function	A42MX24 Function	A42MX36 Function
1	GND	GND	GND
2	NC	VCCA	VCCA
3	MODE	MODE	MODE
4	I/O	I/O	I/O
5	I/O	I/O	I/O
6	I/O	I/O	I/O
7	I/O	I/O	I/O
8	I/O	I/O	I/O
9	NC	I/O	I/O
10	NC	I/O	I/O
11	NC	I/O	I/O
12	I/O	I/O	I/O
13	I/O	I/O	I/O
14	I/O	I/O	I/O
15	I/O	I/O	I/O
16	NC	I/O	I/O
17	VCCA	VCCA	VCCA
18	I/O	I/O	I/O
19	I/O	I/O	I/O
20	I/O	I/O	I/O

**Table 53 • PQ208 (continued)**

<b>PQ208</b>			
<b>Pin Number</b>	<b>A42MX16 Function</b>	<b>A42MX24 Function</b>	<b>A42MX36 Function</b>
21	I/O	I/O	I/O
22	GND	GND	GND
23	I/O	I/O	I/O
24	I/O	I/O	I/O
25	I/O	I/O	I/O
26	I/O	I/O	I/O
27	GND	GND	GND
28	VCCI	VCCI	VCCI
29	VCCA	VCCA	VCCA
30	I/O	I/O	I/O
31	I/O	I/O	I/O
32	VCCA	VCCA	VCCA
33	I/O	I/O	I/O
34	I/O	I/O	I/O
35	I/O	I/O	I/O
36	I/O	I/O	I/O
37	I/O	I/O	I/O
38	I/O	I/O	I/O
39	I/O	I/O	I/O
40	I/O	I/O	I/O
41	NC	I/O	I/O
42	NC	I/O	I/O
43	NC	I/O	I/O
44	I/O	I/O	I/O
45	I/O	I/O	I/O
46	I/O	I/O	I/O
47	I/O	I/O	I/O
48	I/O	I/O	I/O
49	I/O	I/O	I/O
50	NC	I/O	I/O
51	NC	I/O	I/O
52	GND	GND	GND
53	GND	GND	GND
54	I/O	TMS, I/O	TMS, I/O
55	I/O	TDI, I/O	TDI, I/O
56	I/O	I/O	I/O
57	I/O	WD, I/O	WD, I/O

**Table 53 • PQ208 (continued)**

<b>PQ208</b>			
<b>Pin Number</b>	<b>A42MX16 Function</b>	<b>A42MX24 Function</b>	<b>A42MX36 Function</b>
58	I/O	WD, I/O	WD, I/O
59	I/O	I/O	I/O
60	VCCI	VCCI	VCCI
61	NC	I/O	I/O
62	NC	I/O	I/O
63	I/O	I/O	I/O
64	I/O	I/O	I/O
65	I/O	I/O	QCLKA, I/O
66	I/O	WD, I/O	WD, I/O
67	NC	WD, I/O	WD, I/O
68	NC	I/O	I/O
69	I/O	I/O	I/O
70	I/O	WD, I/O	WD, I/O
71	I/O	WD, I/O	WD, I/O
72	I/O	I/O	I/O
73	I/O	I/O	I/O
74	I/O	I/O	I/O
75	I/O	I/O	I/O
76	I/O	I/O	I/O
77	I/O	I/O	I/O
78	GND	GND	GND
79	VCCA	VCCA	VCCA
80	NC	VCCI	VCCI
81	I/O	I/O	I/O
82	I/O	I/O	I/O
83	I/O	I/O	I/O
84	I/O	I/O	I/O
85	I/O	WD, I/O	WD, I/O
86	I/O	WD, I/O	WD, I/O
87	I/O	I/O	I/O
88	I/O	I/O	I/O
89	NC	I/O	I/O
90	NC	I/O	I/O
91	I/O	I/O	QCLKB, I/O
92	I/O	I/O	I/O
93	I/O	WD, I/O	WD, I/O
94	I/O	WD, I/O	WD, I/O

**Table 53 • PQ208 (continued)**

<b>PQ208</b>			
<b>Pin Number</b>	<b>A42MX16 Function</b>	<b>A42MX24 Function</b>	<b>A42MX36 Function</b>
95	NC	I/O	I/O
96	NC	I/O	I/O
97	NC	I/O	I/O
98	VCCI	VCCI	VCCI
99	I/O	I/O	I/O
100	I/O	WD, I/O	WD, I/O
101	I/O	WD, I/O	WD, I/O
102	I/O	I/O	I/O
103	SDO, I/O	SDO, TDO, I/O	SDO, TDO, I/O
104	I/O	I/O	I/O
105	GND	GND	GND
106	NC	VCCA	VCCA
107	I/O	I/O	I/O
108	I/O	I/O	I/O
109	I/O	I/O	I/O
110	I/O	I/O	I/O
111	I/O	I/O	I/O
112	NC	I/O	I/O
113	NC	I/O	I/O
114	NC	I/O	I/O
115	NC	I/O	I/O
116	I/O	I/O	I/O
117	I/O	I/O	I/O
118	I/O	I/O	I/O
119	I/O	I/O	I/O
120	I/O	I/O	I/O
121	I/O	I/O	I/O
122	I/O	I/O	I/O
123	I/O	I/O	I/O
124	I/O	I/O	I/O
125	I/O	I/O	I/O
126	GND	GND	GND
127	I/O	I/O	I/O
128	I/O	TCK, I/O	TCK, I/O
129	LP	LP	LP
130	VCCA	VCCA	VCCA
131	GND	GND	GND

**Table 53 • PQ208 (continued)**

<b>PQ208</b>			
<b>Pin Number</b>	<b>A42MX16 Function</b>	<b>A42MX24 Function</b>	<b>A42MX36 Function</b>
132	VCCI	VCCI	VCCI
133	VCCA	VCCA	VCCA
134	I/O	I/O	I/O
135	I/O	I/O	I/O
136	VCCA	VCCA	VCCA
137	I/O	I/O	I/O
138	I/O	I/O	I/O
139	I/O	I/O	I/O
140	I/O	I/O	I/O
141	NC	I/O	I/O
142	I/O	I/O	I/O
143	I/O	I/O	I/O
144	I/O	I/O	I/O
145	I/O	I/O	I/O
146	NC	I/O	I/O
147	NC	I/O	I/O
148	NC	I/O	I/O
149	NC	I/O	I/O
150	GND	GND	GND
151	I/O	I/O	I/O
152	I/O	I/O	I/O
153	I/O	I/O	I/O
154	I/O	I/O	I/O
155	I/O	I/O	I/O
156	I/O	I/O	I/O
157	GND	GND	GND
158	I/O	I/O	I/O
159	SDI, I/O	SDI, I/O	SDI, I/O
160	I/O	I/O	I/O
161	I/O	WD, I/O	WD, I/O
162	I/O	WD, I/O	WD, I/O
163	I/O	I/O	I/O
164	VCCI	VCCI	VCCI
165	NC	I/O	I/O
166	NC	I/O	I/O
167	I/O	I/O	I/O
168	I/O	WD, I/O	WD, I/O

**Table 53 • PQ208 (continued)**

<b>PQ208</b>			
<b>Pin Number</b>	<b>A42MX16 Function</b>	<b>A42MX24 Function</b>	<b>A42MX36 Function</b>
169	I/O	WD, I/O	WD, I/O
170	I/O	I/O	I/O
171	NC	I/O	QCLKD, I/O
172	I/O	I/O	I/O
173	I/O	I/O	I/O
174	I/O	I/O	I/O
175	I/O	I/O	I/O
176	I/O	WD, I/O	WD, I/O
177	I/O	WD, I/O	WD, I/O
178	PRA, I/O	PRA, I/O	PRA, I/O
179	I/O	I/O	I/O
180	CLKA, I/O	CLKA, I/O	CLKA, I/O
181	NC	I/O	I/O
182	NC	VCCI	VCCI
183	VCCA	VCCA	VCCA
184	GND	GND	GND
185	I/O	I/O	I/O
186	CLKB, I/O	CLKB, I/O	CLKB, I/O
187	I/O	I/O	I/O
188	PRB, I/O	PRB, I/O	PRB, I/O
189	I/O	I/O	I/O
190	I/O	WD, I/O	WD, I/O
191	I/O	WD, I/O	WD, I/O
192	I/O	I/O	I/O
193	NC	I/O	I/O
194	NC	WD, I/O	WD, I/O
195	NC	WD, I/O	WD, I/O
196	I/O	I/O	QCLKC, I/O
197	NC	I/O	I/O
198	I/O	I/O	I/O
199	I/O	I/O	I/O
200	I/O	I/O	I/O
201	NC	I/O	I/O
202	VCCI	VCCI	VCCI
203	I/O	WD, I/O	WD, I/O
204	I/O	WD, I/O	WD, I/O
205	I/O	I/O	I/O

**Table 53 • PQ208 (continued)**

<b>PQ208</b>			
<b>Pin Number</b>	<b>A42MX16 Function</b>	<b>A42MX24 Function</b>	<b>A42MX36 Function</b>
206	I/O	I/O	I/O
207	DCLK, I/O	DCLK, I/O	DCLK, I/O
208	I/O	I/O	I/O

**Figure 45 • PQ240**



**Note:** This figure shows the 240-Pin PQFP Package top view.

**Table 54 • PQ240**

<b>PQ240</b>	
<b>Pin Number</b>	<b>A42MX36 Function</b>
1	I/O
2	DCLK, I/O
3	I/O
4	I/O
5	I/O
6	WD, I/O
7	WD, I/O
8	VCCI
9	I/O
10	I/O
11	I/O
12	I/O
13	I/O
14	I/O

**Table 54 • PQ240 (continued)**

<b>PQ240</b>	
<b>Pin Number</b>	<b>A42MX36 Function</b>
15	QCLKC, I/O
16	I/O
17	WD, I/O
18	WD, I/O
19	I/O
20	I/O
21	WD, I/O
22	WD, I/O
23	I/O
24	PRB, I/O
25	I/O
26	CLKB, I/O
27	I/O
28	GND
29	VCCA
30	VCCI
31	I/O
32	CLKA, I/O
33	I/O
34	PRA, I/O
35	I/O
36	I/O
37	WD, I/O
38	WD, I/O
39	I/O
40	I/O
41	I/O
42	I/O
43	I/O
44	I/O
45	QCLKD, I/O
46	I/O
47	WD, I/O
48	WD, I/O
49	I/O
50	I/O
51	I/O

**Table 54 • PQ240 (continued)**

<b>PQ240</b>	
<b>Pin Number</b>	<b>A42MX36 Function</b>
52	VCCI
53	I/O
54	WD, I/O
55	WD, I/O
56	I/O
57	SDI, I/O
58	I/O
59	VCCA
60	GND
61	GND
62	I/O
63	I/O
64	I/O
65	I/O
66	I/O
67	I/O
68	I/O
69	I/O
70	I/O
71	VCCI
72	I/O
73	I/O
74	I/O
75	I/O
76	I/O
77	I/O
78	I/O
79	I/O
80	I/O
81	I/O
82	I/O
83	I/O
84	I/O
85	VCCA
86	I/O
87	I/O
88	VCCA

**Table 54 • PQ240 (continued)**

<b>PQ240</b>	
<b>Pin Number</b>	<b>A42MX36 Function</b>
89	VCCI
90	VCCA
91	LP
92	TCK, I/O
93	I/O
94	GND
95	I/O
96	I/O
97	I/O
98	I/O
99	I/O
100	I/O
101	I/O
102	I/O
103	I/O
104	I/O
105	I/O
106	I/O
107	I/O
108	VCCI
109	I/O
110	I/O
111	I/O
112	I/O
113	I/O
114	I/O
115	I/O
116	I/O
117	I/O
118	VCCA
119	GND
120	GND
121	GND
122	I/O
123	SDO, TDO, I/O
124	I/O
125	WD, I/O

**Table 54 • PQ240 (continued)**

<b>PQ240</b>	
<b>Pin Number</b>	<b>A42MX36 Function</b>
126	WD, I/O
127	I/O
128	VCCI
129	I/O
130	I/O
131	I/O
132	WD, I/O
133	WD, I/O
134	I/O
135	QCLKB, I/O
136	I/O
137	I/O
138	I/O
139	I/O
140	I/O
141	I/O
142	WD, I/O
143	WD, I/O
144	I/O
145	I/O
146	I/O
147	I/O
148	I/O
149	I/O
150	VCCI
151	VCCA
152	GND
153	I/O
154	I/O
155	I/O
156	I/O
157	I/O
158	I/O
159	WD, I/O
160	WD, I/O
161	I/O
162	I/O

**Table 54 • PQ240 (continued)**

<b>PQ240</b>	
<b>Pin Number</b>	<b>A42MX36 Function</b>
163	WD, I/O
164	WD, I/O
165	I/O
166	QCLKA, I/O
167	I/O
168	I/O
169	I/O
170	I/O
171	I/O
172	VCCI
173	I/O
174	WD, I/O
175	WD, I/O
176	I/O
177	I/O
178	TDI, I/O
179	TMS, I/O
180	GND
181	VCCA
182	GND
183	I/O
184	I/O
185	I/O
186	I/O
187	I/O
188	I/O
189	I/O
190	I/O
191	I/O
192	VCCI
193	I/O
194	I/O
195	I/O
196	I/O
197	I/O
198	I/O
199	I/O

**Table 54 • PQ240 (continued)**

<b>PQ240</b>	
<b>Pin Number</b>	<b>A42MX36 Function</b>
200	I/O
201	I/O
202	I/O
203	I/O
204	I/O
205	I/O
206	VCCA
207	I/O
208	I/O
209	VCCA
210	VCCI
211	I/O
212	I/O
213	I/O
214	I/O
215	I/O
216	I/O
217	I/O
218	I/O
219	VCCA
220	I/O
221	I/O
222	I/O
223	I/O
224	I/O
225	I/O
226	I/O
227	VCCI
228	I/O
229	I/O
230	I/O
231	I/O
232	I/O
233	I/O
234	I/O
235	I/O
236	I/O

**Table 54 • PQ240 (continued)**

PQ240	
Pin Number	A42MX36 Function
237	GND
238	MODE
239	VCCA
240	GND

**Figure 46 • VQ80**



**Table 55 • VQ80**

VQ80		
Pin Number	A40MX02 Function	A40MX04 Function
1	I/O	I/O
2	NC	I/O
3	NC	I/O
4	NC	I/O
5	I/O	I/O
6	I/O	I/O
7	GND	GND
8	I/O	I/O
9	I/O	I/O
10	I/O	I/O
11	I/O	I/O
12	I/O	I/O

**Table 55 • VQ80 (continued)**

<b>VQ80</b>		
<b>Pin Number</b>	<b>A40MX02 Function</b>	<b>A40MX04 Function</b>
13	VCC	VCC
14	I/O	I/O
15	I/O	I/O
16	I/O	I/O
17	NC	I/O
18	NC	I/O
19	NC	I/O
20	VCC	VCC
21	I/O	I/O
22	I/O	I/O
23	I/O	I/O
24	I/O	I/O
25	I/O	I/O
26	I/O	I/O
27	GND	GND
28	I/O	I/O
29	I/O	I/O
30	I/O	I/O
31	I/O	I/O
32	I/O	I/O
33	VCC	VCC
34	I/O	I/O
35	I/O	I/O
36	I/O	I/O
37	I/O	I/O
38	I/O	I/O
39	I/O	I/O
40	I/O	I/O
41	NC	I/O
42	NC	I/O
43	NC	I/O
44	I/O	I/O
45	I/O	I/O
46	I/O	I/O
47	GND	GND
48	I/O	I/O
49	I/O	I/O

**Table 55 • VQ80 (continued)**

<b>VQ80</b>		
<b>Pin Number</b>	<b>A40MX02 Function</b>	<b>A40MX04 Function</b>
50	CLK, I/O	CLK, I/O
51	I/O	I/O
52	MODE	MODE
53	VCC	VCC
54	NC	I/O
55	NC	I/O
56	NC	I/O
57	SDI, I/O	SDI, I/O
58	DCLK, I/O	DCLK, I/O
59	PRA, I/O	PRA, I/O
60	NC	NC
61	PRB, I/O	PRB, I/O
62	I/O	I/O
63	I/O	I/O
64	I/O	I/O
65	I/O	I/O
66	I/O	I/O
67	I/O	I/O
68	GND	GND
69	I/O	I/O
70	I/O	I/O
71	I/O	I/O
72	I/O	I/O
73	I/O	I/O
74	VCC	VCC
75	I/O	I/O
76	I/O	I/O
77	I/O	I/O
78	I/O	I/O
79	I/O	I/O
80	I/O	I/O

Figure 47 • VQ100



Table 56 • VQ100

VQ100		
Pin Number	A42MX09 Function	A42MX16 Function
1	I/O	I/O
2	MODE	MODE
3	I/O	I/O
4	I/O	I/O
5	I/O	I/O
6	I/O	I/O
7	GND	GND
8	I/O	I/O
9	I/O	I/O
10	I/O	I/O
11	I/O	I/O
12	I/O	I/O
13	I/O	I/O
14	VCCA	NC
15	VCCI	VCCI
16	I/O	I/O
17	I/O	I/O
18	I/O	I/O
19	I/O	I/O
20	GND	GND

**Table 56 • VQ100 (continued)**

<b>VQ100</b>		
<b>Pin Number</b>	<b>A42MX09 Function</b>	<b>A42MX16 Function</b>
21	I/O	I/O
22	I/O	I/O
23	I/O	I/O
24	I/O	I/O
25	I/O	I/O
26	I/O	I/O
27	I/O	I/O
28	I/O	I/O
29	I/O	I/O
30	I/O	I/O
31	I/O	I/O
32	GND	GND
33	I/O	I/O
34	I/O	I/O
35	I/O	I/O
36	I/O	I/O
37	I/O	I/O
38	VCCA	VCCA
39	I/O	I/O
40	I/O	I/O
41	I/O	I/O
42	I/O	I/O
43	I/O	I/O
44	GND	GND
45	I/O	I/O
46	I/O	I/O
47	I/O	I/O
48	I/O	I/O
49	I/O	I/O
50	SDO, I/O	SDO, I/O
51	I/O	I/O
52	I/O	I/O
53	I/O	I/O
54	I/O	I/O
55	GND	GND
56	I/O	I/O
57	I/O	I/O

**Table 56 • VQ100 (continued)**

<b>VQ100</b>		
<b>Pin Number</b>	<b>A42MX09 Function</b>	<b>A42MX16 Function</b>
58	I/O	I/O
59	I/O	I/O
60	I/O	I/O
61	I/O	I/O
62	LP	LP
63	VCCA	VCCA
64	VCCI	VCCI
65	VCCA	VCCA
66	I/O	I/O
67	I/O	I/O
68	I/O	I/O
69	I/O	I/O
70	GND	GND
71	I/O	I/O
72	I/O	I/O
73	I/O	I/O
74	I/O	I/O
75	I/O	I/O
76	I/O	I/O
77	SDI, I/O	SDI, I/O
78	I/O	I/O
79	I/O	I/O
80	I/O	I/O
81	I/O	I/O
82	GND	GND
83	I/O	I/O
84	I/O	I/O
85	PRA, I/O	PRA, I/O
86	I/O	I/O
87	CLKA, I/O	CLKA, I/O
88	VCCA	VCCA
89	I/O	I/O
90	CLKB, I/O	CLKB, I/O
91	I/O	I/O
92	PRB, I/O	PRB, I/O
93	I/O	I/O
94	GND	GND

**Table 56 • VQ100 (continued)**

<b>VQ100</b>		
<b>Pin Number</b>	<b>A42MX09 Function</b>	<b>A42MX16 Function</b>
95	I/O	I/O
96	I/O	I/O
97	I/O	I/O
98	I/O	I/O
99	I/O	I/O
100	DCLK, I/O	DCLK, I/O

**Figure 48 • TQ176**



**Table 57 • TQ176**

<b>TQ176</b>			
<b>Pin Number</b>	<b>A42MX09 Function</b>	<b>A42MX16 Function</b>	<b>A42MX24 Function</b>
1	GND	GND	GND
2	MODE	MODE	MODE
3	I/O	I/O	I/O
4	I/O	I/O	I/O
5	I/O	I/O	I/O
6	I/O	I/O	I/O
7	I/O	I/O	I/O
8	NC	NC	I/O
9	I/O	I/O	I/O
10	NC	I/O	I/O
11	NC	I/O	I/O
12	I/O	I/O	I/O

**Table 57 • TQ176 (continued)**

<b>TQ176</b>			
<b>Pin Number</b>	<b>A42MX09 Function</b>	<b>A42MX16 Function</b>	<b>A42MX24 Function</b>
13	NC	VCCA	VCCA
14	I/O	I/O	I/O
15	I/O	I/O	I/O
16	I/O	I/O	I/O
17	I/O	I/O	I/O
18	GND	GND	GND
19	NC	I/O	I/O
20	NC	I/O	I/O
21	I/O	I/O	I/O
22	NC	I/O	I/O
23	GND	GND	GND
24	NC	VCCI	VCCI
25	VCCA	VCCA	VCCA
26	NC	I/O	I/O
27	NC	I/O	I/O
28	VCCI	VCCA	VCCA
29	NC	I/O	I/O
30	I/O	I/O	I/O
31	I/O	I/O	I/O
32	I/O	I/O	I/O
33	NC	NC	I/O
34	I/O	I/O	I/O
35	I/O	I/O	I/O
36	I/O	I/O	I/O
37	NC	I/O	I/O
38	NC	NC	I/O
39	I/O	I/O	I/O
40	I/O	I/O	I/O
41	I/O	I/O	I/O
42	I/O	I/O	I/O
43	I/O	I/O	I/O
44	I/O	I/O	I/O
45	GND	GND	GND
46	I/O	I/O	TMS, I/O
47	I/O	I/O	TDI, I/O
48	I/O	I/O	I/O
49	I/O	I/O	WD, I/O

**Table 57 • TQ176 (continued)**

<b>TQ176</b>			
<b>Pin Number</b>	<b>A42MX09 Function</b>	<b>A42MX16 Function</b>	<b>A42MX24 Function</b>
50	I/O	I/O	WD, I/O
51	I/O	I/O	I/O
52	NC	VCCI	VCCI
53	I/O	I/O	I/O
54	NC	I/O	I/O
55	NC	I/O	WD, I/O
56	I/O	I/O	WD, I/O
57	NC	NC	I/O
58	I/O	I/O	I/O
59	I/O	I/O	WD, I/O
60	I/O	I/O	WD, I/O
61	NC	I/O	I/O
62	I/O	I/O	I/O
63	I/O	I/O	I/O
64	NC	I/O	I/O
65	I/O	I/O	I/O
66	NC	I/O	I/O
67	GND	GND	GND
68	VCCA	VCCA	VCCA
69	I/O	I/O	WD, I/O
70	I/O	I/O	WD, I/O
71	I/O	I/O	I/O
72	I/O	I/O	I/O
73	I/O	I/O	I/O
74	NC	I/O	I/O
75	I/O	I/O	I/O
76	I/O	I/O	I/O
77	NC	NC	WD, I/O
78	NC	I/O	WD, I/O
79	I/O	I/O	I/O
80	NC	I/O	I/O
81	I/O	I/O	I/O
82	NC	VCCI	VCCI
83	I/O	I/O	I/O
84	I/O	I/O	WD, I/O
85	I/O	I/O	WD, I/O
86	NC	I/O	I/O

**Table 57 • TQ176 (continued)**

<b>TQ176</b>			
<b>Pin Number</b>	<b>A42MX09 Function</b>	<b>A42MX16 Function</b>	<b>A42MX24 Function</b>
87	SDO, I/O	SDO, I/O	SDO, TDO, I/O
88	I/O	I/O	I/O
89	GND	GND	GND
90	I/O	I/O	I/O
91	I/O	I/O	I/O
92	I/O	I/O	I/O
93	I/O	I/O	I/O
94	I/O	I/O	I/O
95	I/O	I/O	I/O
96	NC	I/O	I/O
97	NC	I/O	I/O
98	I/O	I/O	I/O
99	I/O	I/O	I/O
100	I/O	I/O	I/O
101	NC	NC	I/O
102	I/O	I/O	I/O
103	NC	I/O	I/O
104	I/O	I/O	I/O
105	I/O	I/O	I/O
106	GND	GND	GND
107	NC	I/O	I/O
108	NC	I/O	TCK, I/O
109	LP	LP	LP
110	VCCA	VCCA	VCCA
111	GND	GND	GND
112	VCCI	VCCI	VCCI
113	VCCA	VCCA	VCCA
114	NC	I/O	I/O
115	NC	I/O	I/O
116	NC	VCCA	VCCA
117	I/O	I/O	I/O
118	I/O	I/O	I/O
119	I/O	I/O	I/O
120	I/O	I/O	I/O
121	NC	NC	I/O
122	I/O	I/O	I/O
123	I/O	I/O	I/O

**Table 57 • TQ176 (continued)**

<b>TQ176</b>			
<b>Pin Number</b>	<b>A42MX09 Function</b>	<b>A42MX16 Function</b>	<b>A42MX24 Function</b>
124	NC	I/O	I/O
125	NC	I/O	I/O
126	NC	NC	I/O
127	I/O	I/O	I/O
128	I/O	I/O	I/O
129	I/O	I/O	I/O
130	I/O	I/O	I/O
131	I/O	I/O	I/O
132	I/O	I/O	I/O
133	GND	GND	GND
134	I/O	I/O	I/O
135	SDI, I/O	SDI, I/O	SDI, I/O
136	NC	I/O	I/O
137	I/O	I/O	WD, I/O
138	I/O	I/O	WD, I/O
139	I/O	I/O	I/O
140	NC	VCCI	VCCI
141	I/O	I/O	I/O
142	I/O	I/O	I/O
143	NC	I/O	I/O
144	NC	I/O	WD, I/O
145	NC	NC	WD, I/O
146	I/O	I/O	I/O
147	NC	I/O	I/O
148	I/O	I/O	I/O
149	I/O	I/O	I/O
150	I/O	I/O	WD, I/O
151	NC	I/O	WD, I/O
152	PRA, I/O	PRA, I/O	PRA, I/O
153	I/O	I/O	I/O
154	CLKA, I/O	CLKA, I/O	CLKA, I/O
155	VCCA	VCCA	VCCA
156	GND	GND	GND
157	I/O	I/O	I/O
158	CLKB, I/O	CLKB, I/O	CLKB, I/O

**Table 57 • TQ176 (continued)**

TQ176			
Pin Number	A42MX09 Function	A42MX16 Function	A42MX24 Function
159	I/O	I/O	I/O
160	PRB, I/O	PRB, I/O	PRB, I/O
161	NC	I/O	WD, I/O
162	I/O	I/O	WD, I/O
163	I/O	I/O	I/O
164	I/O	I/O	I/O
165	NC	NC	WD, I/O
166	NC	I/O	WD, I/O
167	I/O	I/O	I/O
168	NC	I/O	I/O
169	I/O	I/O	I/O
170	NC	VCCI	VCCI
171	I/O	I/O	WD, I/O
172	I/O	I/O	WD, I/O
173	NC	I/O	I/O
174	I/O	I/O	I/O
175	DCLK, I/O	DCLK, I/O	DCLK, I/O
176	I/O	I/O	I/O

**Figure 49 • CQ208**



**Table 58 • CQ208**

<b>CQ208</b>	
<b>Pin Number</b>	<b>A42MX36 Function</b>
1	GND
2	VCCA
3	MODE
4	I/O
5	I/O
6	I/O
7	I/O
8	I/O
9	I/O
10	I/O
11	I/O
12	I/O
13	I/O
14	I/O
15	I/O
16	I/O
17	VCCA
18	I/O
19	I/O
20	I/O
21	I/O
22	GND
23	I/O
24	I/O
25	I/O
26	I/O
27	GND
28	VCCI
29	VCCA
30	I/O
31	I/O
32	VCCA
33	I/O
34	I/O
35	I/O
36	I/O

**Table 58 • CQ208 (continued)**

<b>CQ208</b>	
<b>Pin Number</b>	<b>A42MX36 Function</b>
37	I/O
38	I/O
39	I/O
40	I/O
41	I/O
42	I/O
43	I/O
44	I/O
45	I/O
46	I/O
47	I/O
48	I/O
49	I/O
50	I/O
51	I/O
52	GND
53	GND
54	TMS, I/O
55	TDI, I/O
56	I/O
57	WD, I/O
58	WD, I/O
59	I/O
60	VCCI
61	I/O
62	I/O
63	I/O
64	I/O
65	QCLKA, I/O
66	WD, I/O
67	WD, I/O
68	I/O
69	I/O
70	WD, I/O
71	WD, I/O
72	I/O
73	I/O

**Table 58 • CQ208 (continued)**

<b>CQ208</b>	
<b>Pin Number</b>	<b>A42MX36 Function</b>
74	I/O
75	I/O
76	I/O
77	I/O
78	GND
79	VCCA
80	VCCI
81	I/O
82	I/O
83	I/O
84	I/O
85	WD, I/O
86	WD, I/O
87	I/O
88	I/O
89	I/O
90	I/O
91	QCLKB, I/O
92	I/O
93	WD, I/O
94	WD, I/O
95	I/O
96	I/O
97	I/O
98	VCCI
99	I/O
100	WD, I/O
101	WD, I/O
102	I/O
103	TDO, I/O
104	I/O
105	GND
106	VCCA
107	I/O
108	I/O
109	I/O
110	I/O

**Table 58 • CQ208 (continued)**

<b>CQ208</b>	
<b>Pin Number</b>	<b>A42MX36 Function</b>
111	I/O
112	I/O
113	I/O
114	I/O
115	I/O
116	I/O
117	I/O
118	I/O
119	I/O
120	I/O
121	I/O
122	I/O
123	I/O
124	I/O
125	I/O
126	GND
127	I/O
128	TCK, I/O
129	LP
130	VCCA
131	GND
132	VCCI
133	VCCA
134	I/O
135	I/O
136	VCCA
137	I/O
138	I/O
139	I/O
140	I/O
141	I/O
142	I/O
143	I/O
144	I/O
145	I/O
146	I/O
147	I/O

**Table 58 • CQ208 (continued)**

<b>CQ208</b>	
<b>Pin Number</b>	<b>A42MX36 Function</b>
148	I/O
149	I/O
150	GND
151	I/O
152	I/O
153	I/O
154	I/O
155	I/O
156	I/O
157	GND
158	I/O
159	SDI, I/O
160	I/O
161	WD, I/O
162	WD, I/O
163	I/O
164	VCCI
165	I/O
166	I/O
167	I/O
168	WD, I/O
169	WD, I/O
170	I/O
171	QCLKD, I/O
172	I/O
173	I/O
174	I/O
175	I/O
176	WD, I/O
177	WD, I/O
178	PRA, I/O
179	I/O
180	CLKA, I/O
181	I/O
182	VCCI
183	VCCA
184	GND

**Table 58 • CQ208 (continued)**

<b>CQ208</b>	
<b>Pin Number</b>	<b>A42MX36 Function</b>
185	I/O
186	CLKB, I/O
187	I/O
188	PRB, I/O
189	I/O
190	WD, I/O
191	WD, I/O
192	I/O
193	I/O
194	WD, I/O
195	WD, I/O
196	QCLKC, I/O
197	I/O
198	I/O
199	I/O
200	I/O
201	I/O
202	VCCI
203	WD, I/O
204	WD, I/O
205	I/O
206	I/O
207	DCLK, I/O
208	I/O

Figure 50 • CQ256



Table 59 • CQ256

CQ256		
Pin Number	A42MX36	Function
1	NC	
2	GND	
3	I/O	
4	I/O	
5	I/O	
6	I/O	
7	I/O	
8	I/O	
9	I/O	
10	GND	
11	I/O	
12	I/O	
13	I/O	
14	I/O	
15	I/O	
16	I/O	
17	I/O	
18	I/O	
19	I/O	
20	I/O	
21	I/O	

**Table 59 • CQ256 (continued)**

<b>CQ256</b>	
<b>Pin Number</b>	<b>A42MX36 Function</b>
22	I/O
23	I/O
24	I/O
25	I/O
26	VCCA
27	I/O
28	I/O
29	VCCA
30	VCCI
31	GND
32	VCCA
33	LP
34	TCK, I/O
35	I/O
36	GND
37	I/O
38	I/O
39	I/O
40	I/O
41	I/O
42	I/O
43	I/O
44	I/O
45	I/O
46	I/O
47	I/O
48	GND
49	I/O
50	I/O
51	I/O
52	I/O
53	I/O
54	I/O
55	I/O
56	I/O
57	I/O
58	I/O

**Table 59 • CQ256 (continued)**

<b>CQ256</b>	
<b>Pin Number</b>	<b>A42MX36 Function</b>
59	I/O
60	VCCA
61	GND
62	GND
63	NC
64	NC
65	NC
66	I/O
67	SDO, TDO, I/O
68	I/O
69	WD, I/O
70	WD, I/O
71	I/O
72	VCCI
73	I/O
74	I/O
75	I/O
76	WD, I/O
77	GND
78	WD, I/O
79	I/O
80	QCLKB, I/O
81	I/O
82	I/O
83	I/O
84	I/O
85	I/O
86	I/O
87	WD, I/O
88	WD, I/O
89	I/O
90	I/O
91	I/O
92	I/O
93	I/O
94	I/O
95	VCCI

**Table 59 • CQ256 (continued)**

<b>CQ256</b>	
<b>Pin Number</b>	<b>A42MX36 Function</b>
96	VCCA
97	GND
98	GND
99	I/O
100	I/O
101	I/O
102	I/O
103	I/O
104	I/O
105	WD, I/O
106	WD, I/O
107	I/O
108	I/O
109	WD, I/O
110	WD, I/O
111	I/O
112	QCLKA, I/O
113	I/O
114	GND
115	I/O
116	I/O
117	I/O
118	I/O
119	VCCI
120	I/O
121	WD, I/O
122	WD, I/O
123	I/O
124	I/O
125	I/O
126	I/O
127	GND
128	NC
129	NC
130	NC
131	GND
132	I/O

**Table 59 • CQ256 (continued)**

<b>CQ256</b>	
<b>Pin Number</b>	<b>A42MX36 Function</b>
133	I/O
134	I/O
135	I/O
136	I/O
137	I/O
138	I/O
139	GND
140	I/O
141	I/O
142	I/O
143	I/O
144	I/O
145	I/O
146	I/O
147	I/O
148	I/O
149	I/O
150	I/O
151	I/O
152	I/O
153	I/O
154	I/O
155	VCCA
156	I/O
157	I/O
158	VCCA
159	VCCI
160	GND
161	I/O
162	I/O
163	I/O
164	I/O
165	GND
166	I/O
167	I/O
168	I/O
169	I/O

**Table 59 • CQ256 (continued)**

<b>CQ256</b>	
<b>Pin Number</b>	<b>A42MX36 Function</b>
170	VCCA
171	I/O
172	I/O
173	I/O
174	I/O
175	I/O
176	I/O
177	I/O
178	I/O
179	I/O
180	GND
181	I/O
182	I/O
183	I/O
184	I/O
185	I/O
186	I/O
187	I/O
188	MODE
189	VCCA
190	GND
191	NC
192	NC
193	NC
194	I/O
195	DCLK, I/O
196	I/O
197	I/O
198	I/O
199	WD, I/O
200	WD, I/O
201	VCCI
202	I/O
203	I/O
204	I/O
205	I/O
206	GND

**Table 59 • CQ256 (continued)**

<b>CQ256</b>	
<b>Pin Number</b>	<b>A42MX36 Function</b>
207	I/O
208	I/O
209	QCLKC, I/O
210	I/O
211	WD, I/O
212	WD, I/O
213	I/O
214	I/O
215	WD, I/O
216	WD, I/O
217	I/O
218	PRB, I/O
219	I/O
220	CLKB, I/O
221	I/O
222	GND
223	GND
224	VCCA
225	VCCI
226	I/O
227	CLKA, I/O
228	I/O
229	PRA, I/O
230	I/O
231	I/O
232	WD, I/O
233	WD, I/O
234	I/O
235	I/O
236	I/O
237	I/O
238	I/O
239	I/O
240	QCLKD, I/O
241	I/O
242	WD, I/O
243	GND

**Table 59 • CQ256 (continued)**

<b>CQ256</b>	
<b>Pin Number</b>	<b>A42MX36 Function</b>
244	WD, I/O
245	I/O
246	I/O
247	I/O
248	VCCI
249	I/O
250	WD, I/O
251	WD, I/O
252	I/O
253	SDI, I/O
254	I/O
255	GND
256	NC

**Figure 51 • BG272**



**Table 60 • BG272**

<b>BG272</b>	
<b>Pin Number</b>	<b>A42MX36 Function</b>
A1	GND
A2	GND
A3	I/O
A4	WD, I/O
A5	I/O

**Table 60 • BG272 (continued)**

<b>BG272</b>	
<b>Pin Number</b>	<b>A42MX36 Function</b>
A6	I/O
A7	WD, I/O
A8	WD, I/O
A9	I/O
A10	I/O
A11	CLKA
A12	I/O
A13	I/O
A14	I/O
A15	I/O
A16	WD, I/O
A17	I/O
A18	I/O
A19	GND
A20	GND
B1	GND
B2	GND
B3	DCLK, I/O
B4	I/O
B5	I/O
B6	I/O
B7	WD, I/O
B8	I/O
B9	PRB, I/O
B10	I/O
B11	I/O
B12	WD, I/O
B13	I/O
B14	I/O
B15	WD, I/O
B16	I/O
B17	WD, I/O
B18	I/O
B19	GND
B20	GND
C1	I/O
C2	MODE

**Table 60 • BG272 (continued)**

<b>BG272</b>	
<b>Pin Number</b>	<b>A42MX36 Function</b>
C3	GND
C4	I/O
C5	WD, I/O
C6	I/O
C7	QCLKC, I/O
C8	I/O
C9	I/O
C10	CLKB
C11	PRA, I/O
C12	WD, I/O
C13	I/O
C14	QCLKD, I/O
C15	I/O
C16	WD, I/O
C17	SDI, I/O
C18	I/O
C19	I/O
C20	I/O
D1	I/O
D2	I/O
D3	I/O
D4	I/O
D5	VCCI
D6	I/O
D7	I/O
D8	VCCA
D9	WD, I/O
D10	VCCI
D11	I/O
D12	VCCI
D13	I/O
D14	VCCI
D15	I/O
D16	VCCA
D17	GND
D18	I/O
D19	I/O

**Table 60 • BG272 (continued)**

<b>BG272</b>	
<b>Pin Number</b>	<b>A42MX36 Function</b>
D20	I/O
E1	I/O
E2	I/O
E3	I/O
E4	VCCA
E17	VCCI
E18	I/O
E19	I/O
E20	I/O
F1	I/O
F2	I/O
F3	I/O
F4	VCCI
F17	I/O
F18	I/O
F19	I/O
F20	I/O
G1	I/O
G2	I/O
G3	I/O
G4	VCCI
G17	VCCI
G18	I/O
G19	I/O
G20	I/O
H1	I/O
H2	I/O
H3	I/O
H4	VCCA
H17	I/O
H18	I/O
H19	I/O
H20	I/O
J1	I/O
J2	I/O
J3	I/O
J4	VCCI

**Table 60 • BG272 (continued)**

<b>BG272</b>	
<b>Pin Number</b>	<b>A42MX36 Function</b>
J9	GND
J10	GND
J11	GND
J12	GND
J17	VCCA
J18	I/O
J19	I/O
J20	I/O
K1	I/O
K2	I/O
K3	I/O
K4	VCCI
K9	GND
K10	GND
K11	GND
K12	GND
K17	I/O
K18	VCCA
K19	VCCA
K20	LP
L1	I/O
L2	I/O
L3	VCCA
L4	VCCA
L9	GND
L10	GND
L11	GND
L12	GND
L17	VCCI
L18	I/O
L19	I/O
L20	TCK, I/O
M1	I/O
M2	I/O
M3	I/O
M4	VCCI
M9	GND

**Table 60 • BG272 (continued)**

<b>BG272</b>	
<b>Pin Number</b>	<b>A42MX36 Function</b>
M10	GND
M11	GND
M12	GND
M17	I/O
M18	I/O
M19	I/O
M20	I/O
N1	I/O
N2	I/O
N3	I/O
N4	VCCI
N17	VCCI
N18	I/O
N19	I/O
N20	I/O
P1	I/O
P2	I/O
P3	I/O
P4	VCCA
P17	I/O
P18	I/O
P19	I/O
P20	I/O
R1	I/O
R2	I/O
R3	I/O
R4	VCCI
R17	VCCI
R18	I/O
R19	I/O
R20	I/O
T1	I/O
T2	I/O
T3	I/O
T4	I/O
T17	VCCA
T18	I/O

**Table 60 • BG272 (continued)**

<b>BG272</b>	
<b>Pin Number</b>	<b>A42MX36 Function</b>
T19	I/O
T20	I/O
U1	I/O
U2	I/O
U3	I/O
U4	I/O
U5	VCCI
U6	WD, I/O
U7	I/O
U8	I/O
U9	WD, I/O
U10	VCCA
U11	VCCI
U12	I/O
U13	I/O
U14	QCLKB, I/O
U15	I/O
U16	VCCI
U17	I/O
U18	GND
U19	I/O
U20	I/O
V1	I/O
V2	I/O
V3	GND
V4	GND
V5	I/O
V6	I/O
V7	I/O
V8	WD, I/O
V9	I/O
V10	I/O
V11	I/O
V12	I/O
V13	WD, I/O
V14	I/O
V15	WD, I/O

**Table 60 • BG272 (continued)**

<b>BG272</b>	
<b>Pin Number</b>	<b>A42MX36 Function</b>
V16	I/O
V17	I/O
V18	SDO, TDO, I/O
V19	I/O
V20	I/O
W1	GND
W2	GND
W3	I/O
W4	TMS, I/O
W5	I/O
W6	I/O
W7	I/O
W8	WD, I/O
W9	WD, I/O
W10	I/O
W11	I/O
W12	I/O
W13	WD, I/O
W14	I/O
W15	I/O
W16	WD, I/O
W17	I/O
W18	WD, I/O
W19	GND
W20	GND
Y1	GND
Y2	GND
Y3	I/O
Y4	TDI, I/O
Y5	WD, I/O
Y6	I/O
Y7	QCLKA, I/O
Y8	I/O
Y9	I/O
Y10	I/O
Y11	I/O
Y12	I/O

**Table 60 • BG272 (continued)**

<b>BG272</b>	
<b>Pin Number</b>	<b>A42MX36 Function</b>
Y13	I/O
Y14	I/O
Y15	I/O
Y16	I/O
Y17	I/O
Y18	WD, I/O
Y19	GND
Y20	GND

**Figure 52 • PG132**



● Orientation Pin

**Table 61 • PG132**

<b>PG132</b>	
<b>Pin Number</b>	<b>A42MX09 Function</b>
–	PMPOUT
B2	I/O
A1	MODE
B1	I/O
D3	I/O
C2	I/O
C1	I/O
D2	I/O
D1	I/O
E2	I/O
E1	I/O
F3	I/O

**Table 61 • PG132 (continued)**

<b>PG132</b>	
<b>Pin Number</b>	<b>A42MX09 Function</b>
F2	I/O
F1	I/O
G1	I/O
G4	VSV
H1	I/O
H2	I/O
H3	I/O
H4	I/O
J1	I/O
K1	I/O
L1	I/O
K2	I/O
M1	I/O
K3	I/O
L2	I/O
N1	I/O
L3	BININ
M2	BINOUT
N2	I/O
M3	I/O
L4	I/O
N3	I/O
M4	I/O
N4	I/O
M5	I/O
K6	I/O
N5	I/O
N6	I/O
L6	I/O
M6	I/O
M7	I/O
N7	I/O
N8	I/O
M8	I/O
L8	I/O
K8	I/O
N9	I/O

**Table 61 • PG132 (continued)**

<b>PG132</b>	
<b>Pin Number</b>	<b>A42MX09 Function</b>
N10	I/O
M10	I/O
N11	I/O
L10	I/O
M11	I/O
N12	SDO
M12	I/O
L11	I/O
N13	I/O
M13	I/O
K11	I/O
L12	I/O
L13	I/O
K13	I/O
H10	I/O
J12	I/O
J13	I/O
H11	I/O
H12	I/O
H13	VKS
G13	VPP

**Table 61 • PG132 (continued)**

<b>PG132</b>	
<b>Pin Number</b>	<b>A42MX09 Function</b>
G12	VSV
F13	I/O
F12	I/O
F11	I/O
F10	I/O
E13	I/O
D13	I/O
D12	I/O
C13	I/O
B13	I/O
D11	I/O
C12	I/O
A13	I/O
C11	I/O
B12	SDI
B11	I/O
C10	I/O
A12	I/O
A11	I/O
B10	I/O
D8	I/O
A10	I/O
C8	I/O
A9	I/O
B8	PRBA
A8	I/O
B7	CLKA
A7	I/O
B6	CLKB
A6	I/O
C6	PRBB
A5	I/O
D6	I/O
A4	I/O
B4	I/O
A3	I/O
C4	I/O

**Table 61 • PG132 (continued)**

<b>PG132</b>	
<b>Pin Number</b>	<b>A42MX09 Function</b>
B3	I/O
A2	I/O
C3	DCLK
B5	GND A
E12	GND A
J2	GND A
M9	GND A
B9	GND I
C5	GND I
E11	GND I
F4	GND I
J3	GND I
J11	GND I
L5	GND I
L9	GND I
C9	GND Q
E3	GND Q
K12	GND Q
D7	VCCA
G3	VCCA
G10	VCCA
L7	VCCA
C7	VCCI
G2	VCCI
G11	VCCI
K7	VCCI

Figure 53 • CQ172



Table 62 • CQ172

CQ172	
Pin Number	A42MX16 Function
1	MODE
2	I/O
3	I/O
4	I/O
5	I/O
6	I/O
7	GND
8	I/O
9	I/O
10	I/O
11	I/O
12	VCC
13	I/O
14	I/O
15	I/O
16	I/O
17	GND
18	I/O
19	I/O
20	I/O

**Table 62 • CQ172 (continued)**

<b>CQ172</b>	
<b>Pin Number</b>	<b>A42MX16 Function</b>
21	I/O
22	GND
23	VCCI
24	VSV
25	I/O
26	I/O
27	VCC
28	I/O
29	I/O
30	I/O
31	I/O
32	GND
33	I/O
34	I/O
35	I/O
36	I/O
37	GND
38	I/O
39	I/O
40	I/O
41	I/O
42	I/O
43	I/O
44	BININ
45	BINOUT
46	I/O
47	I/O
48	I/O
49	I/O
50	VCCI
51	I/O
52	I/O
53	I/O
54	I/O
55	GND
56	I/O
57	I/O

**Table 62 • CQ172 (continued)**

<b>CQ172</b>	
<b>Pin Number</b>	<b>A42MX16 Function</b>
58	I/O
59	I/O
60	I/O
61	I/O
62	I/O
63	I/O
64	I/O
65	GND
66	VCC
67	I/O
68	I/O
69	I/O
70	I/O
71	I/O
72	I/O
73	I/O
74	I/O
75	GND
76	I/O
77	I/O
78	I/O
79	I/O
80	VCCI
81	I/O
82	I/O
83	I/O
84	I/O
85	SDO
86	I/O
87	I/O
88	I/O
89	I/O
90	I/O
91	I/O
92	I/O
93	I/O
94	I/O

**Table 62 • CQ172 (continued)**

<b>CQ172</b>	
<b>Pin Number</b>	<b>A42MX16 Function</b>
95	I/O
96	I/O
97	I/O
98	GND
99	I/O
100	I/O
101	I/O
102	I/O
103	GND
104	I/O
105	I/O
106	VKS
107	VPP
108	GND
109	VCCI
110	VSV
111	I/O
112	I/O
113	VCC
114	I/O
115	I/O
116	I/O
117	I/O
118	GND
119	I/O
120	I/O
121	I/O
122	I/O
123	GNDI
124	I/O
125	I/O
126	I/O
127	I/O
128	I/O
129	I/O
130	I/O
131	SDI

**Table 62 • CQ172 (continued)**

<b>CQ172</b>	
<b>Pin Number</b>	<b>A42MX16 Function</b>
132	I/O
133	I/O
134	I/O
135	I/O
136	VCCI
137	I/O
138	I/O
139	I/O
140	I/O
141	GND
142	I/O
143	I/O
144	I/O
145	I/O
146	I/O
147	I/O
148	PROBA
149	I/O
150	CLKA
151	VCC
152	GND
153	I/O
154	CLKB
155	I/O
156	PROBB
157	I/O
158	I/O
159	I/O
160	I/O
161	GND
162	I/O
163	I/O
164	I/O
165	I/O
166	VCCI
167	I/O
168	I/O

**Table 62 • CQ172 (continued)**

---

**CQ172**

---

<b>Pin Number</b>	<b>A42MX16 Function</b>
169	I/O
170	I/O
171	DCLK

---

## Looking for pricing, stock, or lifecycle information?

Click below to explore more details on WIN SOURCE:

 [View A42MX24-2PQ208](#) on WIN SOURCE

 [Microsemi Corporation](#) Information

## Optimize Your Supply Chain with WIN SOURCE Solutions

-  Global Sourcing Solution
-  Obsolete Management
-  Cost Control Management
-  Shortage Management
-  Alternative Solution
-  Excess Inventory Management