



**THE DATASHEET OF  
MM74HC595MTC**



# 8-Bit Shift Register with Output Latches

## MM74HC595

### General Description

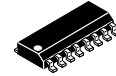
The MM74HC595 high-speed shift register utilizes advanced silicon-gate CMOS technology. This device possesses the high noise immunity and low power consumption of standard CMOS integrated circuits, as well as the ability to drive 15 LS-TTL loads.

This device contains an eight-bit serial-in, parallel-out, shift register that feeds an eight-bit D-type storage register. The storage register has eight 3-state outputs. Separate clocks are provided for both the shift register and the storage register. The shift register has a direct-overriding clear, serial input, and serial output (standard) pins for cascading. Both the shift register and storage register use positive-edge triggered clocks. If both clocks are connected together, the shift register state is one clock pulse ahead of the storage register.

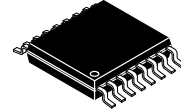
The 74HC logic family is speed, function, and pin-out compatible with the standard 74LS logic family. All inputs are protected from damage due to static discharge by internal diode clamps to  $V_{CC}$  and ground.

### Features

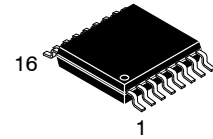
- Low Quiescent Current: 160  $\mu$ A Maximum (74HC Series)
- Low Input Current: 1  $\mu$ A Maximum
- 8-Bit Serial-In, Parallel-Out Shift Register with Storage
- Wide Operating Voltage Range: 2 V–6 V
- Cascadable
- Shift Register has Direct Clear
- Guaranteed Shift Frequency: DC to 30 MHz
- This Device is Pb-Free and is RoHS Compliant



SOIC-16  
CASE 751B-05

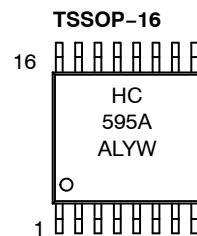
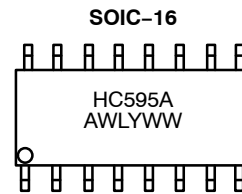


TSSOP 16  
CASE 948AH-01



TSSOP-16  
CASE 948F-01

### MARKING DIAGRAMS



HC595A = Specific Device Code  
A = Assembly Location  
WL, L = Wafer Lot Number  
Y = Year  
WW, YW = Work Week

### ORDERING INFORMATION

See detailed ordering and shipping information on page 8 of this data sheet.

# MM74HC595

## Block Diagram

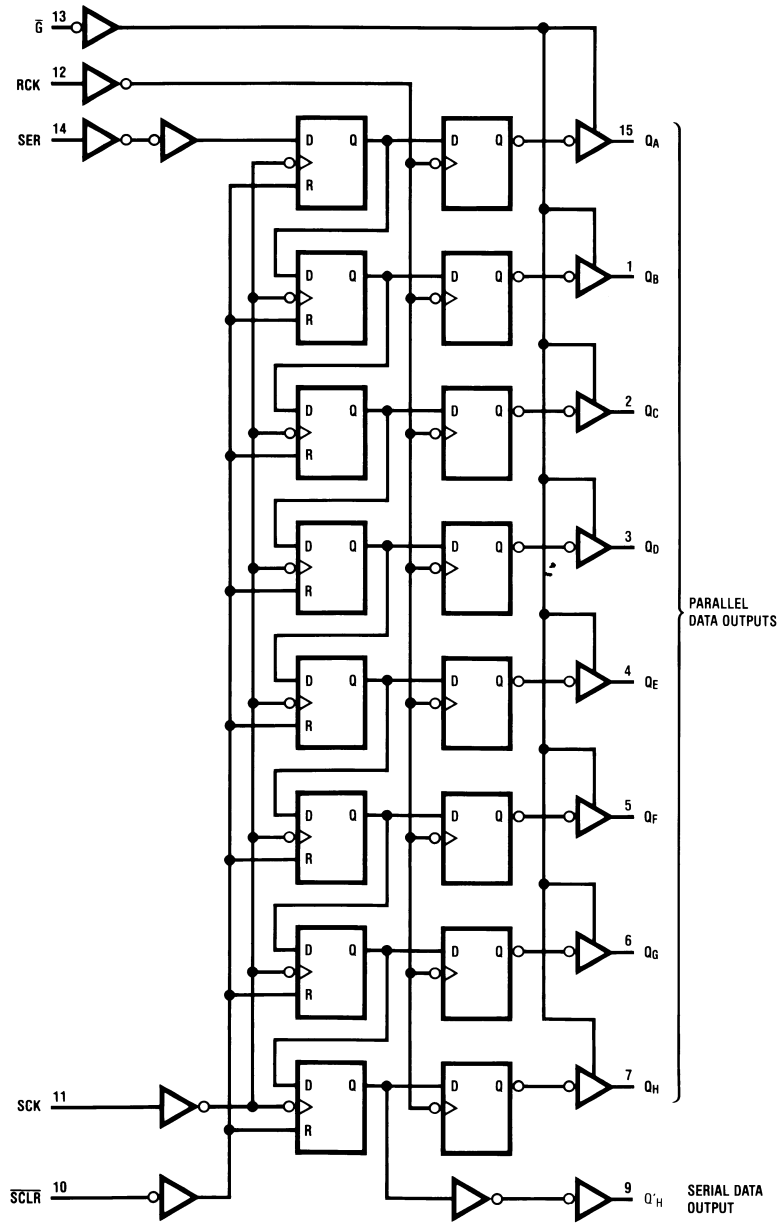


Figure 1. Logic Diagram (Positive Logic)

# MM74HC595

## Pin Configuration

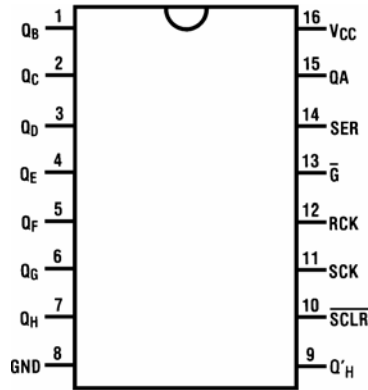


Figure 2. Pin Configuration

## PIN DEFINITIONS

Pin No.	Symbol	Description
1	Q <sub>B</sub>	Output Bit B
2	Q <sub>C</sub>	Output Bit C
3	Q <sub>D</sub>	Output Bit D
4	Q <sub>E</sub>	Output Bit E
5	Q <sub>F</sub>	Output Bit F
6	Q <sub>G</sub>	Output Bit G
7	Q <sub>H</sub>	Output Bit H
8	GND	Ground
9	Q' <sub>H</sub>	Serial Data Output
10	SCLR	Shift Register Clear
11	SCK	Shift Register Clock Input
12	RCK	Storage Register Clock Input
13	Ḡ	Output Enable
14	SER	Serial Data Input
15	QA	Output Bit A
16	V <sub>CC</sub>	Supply Voltage

## TRUTH TABLE

RCK	SCK	SCLR	G	Function
X	X	X	H	QA through Q <sub>H</sub> = 3-state
X	X	L	L	Shift register clocked; Q' <sub>H</sub> = 0
X	↑	H	L	Shift register clocked; Q <sub>N</sub> = Q <sub>n-1</sub> , Q <sub>0</sub> = SER
↑	X	H	L	Contents of shift; register transferred to output latches

NOTES: L = Logic Level LOW  
H = Logic Level HIGH  
X = Don't Care  
↑ = Transition from LOW to HIGH level

# MM74HC595

## ABSOLUTE MAXIMUM RATINGS (Note 1)

Symbol	Rating	Min	Max	Unit	
$V_{CC}$	Supply Voltage	-0.5	7.0	V	
$V_{IN}$	DC Input Voltage	-0.5	$V_{CC} + 0.5$	V	
$V_{OUT}$	DC Output Voltage	-0.5	$V_{CC} + 0.5$	V	
$I_{IK}, I_{OK}$	Clamp Diode Current		$\pm 20$	mA	
$I_{OUT}$	DC Output Current, per pin		$\pm 35$	mA	
$I_{CC}$	DC VCC or GND Current, per pin		$\pm 70$	mA	
$T_{STG}$	Storage Temperature Range	-65	+150	°C	
$P_D$	Power Dissipation	SOIC Package only		500	mW
$T_L$	Lead Temperature		+260	°C	
ESD	Electrostatic Discharge Capability	Human Body Model, JESD22-A114		4000	V

Stresses exceeding those listed in the Maximum Ratings table may damage the device. If any of these limits are exceeded, device functionality should not be assumed, damage may occur and reliability may be affected.

1. Unless otherwise specified all voltages are referenced to ground.

## RECOMMENDED OPERATING CONDITIONS

Symbol	Parameter	Min	Max	Unit	
$V_{CC}$	Supply Voltage	2	6	V	
$V_{IN}, V_{OUT}$	DC Input or Output Voltage	0	$V_{CC}$	V	
$T_A$	Operating Temperature Range	-55	+125	°C	
$t_R, t_F$	Input Rise and Fall Times	$V_{CC} = 2.0\text{ V}$	-	1000	ns
		$V_{CC} = 4.5\text{ V}$	-	500	
		$V_{CC} = 6.0\text{ V}$	-	400	

Functional operation above the stresses listed in the Recommended Operating Ranges is not implied. Extended exposure to stresses beyond the Recommended Operating Ranges limits may affect device reliability.

# MM74HC595

## ELECTRICAL CHARACTERISTICS (Note 2)

Symbol	Parameter	Conditions	V <sub>CC</sub>	T <sub>A</sub> = 25°C		T <sub>A</sub> = -40 to 85°C	T <sub>A</sub> = -55 to 125°C	Unit	
				Typ	Guaranteed Limits				
V <sub>IH</sub>	Minimum HIGH Level Input Voltage		2.0 V		1.50	1.50	1.50	V	
			4.5 V		3.15	3.15	3.15	V	
			6.0 V		4.20	4.20	4.20	V	
V <sub>IL</sub>	Minimum LOW Level Input Voltage		2.0 V		0.50	0.50	0.50	V	
			4.5 V		1.35	1.35	1.35	V	
			6.0 V		1.80	1.80	1.80	V	
V <sub>OH</sub>	Minimum HIGH Level Output Voltage	V <sub>IN</sub> = V <sub>IH</sub> or V <sub>IL</sub>	I <sub>OUT</sub>   ≤ 20 μA	2.0 V	2.00	1.90	1.90	1.90	V
				4.5 V	4.50	4.40	4.40	4.40	V
				6.0 V	6.00	5.90	5.90	5.90	V
Q' <sub>H</sub>	Q' <sub>H</sub>	V <sub>IN</sub> = V <sub>IH</sub> or V <sub>IL</sub>	I <sub>OUT</sub>   ≤ 4.0 mA  I <sub>OUT</sub>   ≤ 5.2 mA	4.5 V	4.20	3.98	3.84	3.70	V
				6.0 V	5.20	5.48	5.34	5.20	V
				QA through Q <sub>H</sub>	V <sub>IN</sub> = V <sub>IH</sub> or V <sub>IL</sub>	I <sub>OUT</sub>   ≤ 6.0 mA  I <sub>OUT</sub>   ≤ 7.8 mA	4.5 V	4.20	3.98
6.0 V	5.70	5.48	5.34	5.20			V		
V <sub>OL</sub>	Minimum LOW Level Output Voltage	V <sub>IN</sub> = V <sub>IH</sub> or V <sub>IL</sub>	I <sub>OUT</sub>   ≤ 20 μA	2.0 V	0	0.10	0.10	0.10	V
				4.5 V	0	0.10	0.10	0.10	V
				6.0 V	0	0.10	0.10	0.10	V
Q' <sub>H</sub>	Q' <sub>H</sub>	V <sub>IN</sub> = V <sub>IH</sub> or V <sub>IL</sub>	I <sub>OUT</sub>   ≤ 4.0 mA  I <sub>OUT</sub>   ≤ 5.2 mA	4.5 V	0.20	0.26	0.33	0.40	V
				6.0 V	0.20	0.26	0.33	0.40	V
				QA through Q <sub>H</sub>	V <sub>IN</sub> = V <sub>IH</sub> or V <sub>IL</sub>	I <sub>OUT</sub>   ≤ 6.0 mA  I <sub>OUT</sub>   ≤ 7.8 mA	4.5 V	0.20	0.26
6.0 V	0.20	0.26	0.33	0.40			V		
I <sub>IN</sub>	Maximum Input Output Leakage	V <sub>IN</sub> = V <sub>CC</sub> or GND	6.0 V		±0.1	±1.0	±1.0	μA	
I <sub>OZ</sub>	Maximum 3-STATE Output Leakage	V <sub>OUT</sub> = V <sub>CC</sub> or GND $\bar{G} = V_{IH}$	6.0 V		±0.5	±5.0	±10	μA	
I <sub>CC</sub>	Maximum Quiescent Supply Current	V <sub>IN</sub> = V <sub>CC</sub> or GND I <sub>OUT</sub> = 0 μA	6.0 V		8.0	80	160	μA	

Product parametric performance is indicated in the Electrical Characteristics for the listed test conditions, unless otherwise noted. Product performance may not be indicated by the Electrical Characteristics if operated under different conditions.

2. For a power supply of 5 V ±10% the worst-case output voltages (V<sub>OH</sub>, and V<sub>OL</sub>) occur for HC at 4.5 V. The 4.5 V values should be used when designing with this supply. Worst-case V<sub>IH</sub> and V<sub>IL</sub> occur at V<sub>CC</sub> = 5.5 V and 4.5 V, respectively; V<sub>IH</sub> value at 5.5 V is 3.85 V. The worst case leakage current (I<sub>IN</sub>, I<sub>CC</sub>, and I<sub>OZ</sub>) occur for CMOS at the higher voltage; so the 6.0 V values should be used.

## AC ELECTRICAL CHARACTERISTICS

(V<sub>CC</sub> = 5 V, T<sub>A</sub> = 25°C, t<sub>r</sub> = t<sub>f</sub> = 6 ns)

Symbol	Parameter	Conditions	Typ	Guaranteed Limit	Unit
f <sub>MAX</sub>	Maximum Operating Frequency of SCK		50	30	MHz
t <sub>PHL</sub> , t <sub>PLH</sub>	Maximum Propagation Delay, SCK to Q' <sub>H</sub>	C <sub>L</sub> = 45 pF	12	20	ns
	Maximum Propagation Delay, RCK to Q <sub>A</sub> thru Q' <sub>H</sub>				
t <sub>PZH</sub> , t <sub>PZL</sub>	Maximum Output Enable Time from $\bar{G}$ to Q <sub>A</sub> thru Q' <sub>H</sub>	R <sub>L</sub> = 1 kΩ C <sub>L</sub> = 45 pF	17	28	ns
t <sub>PHZ</sub> , t <sub>PLZ</sub>	Maximum Output Disable Time from $\bar{G}$ to Q <sub>A</sub> thru Q' <sub>H</sub>	R <sub>L</sub> = 1 kΩ C <sub>L</sub> = 45 pF	15	25	ns
t <sub>S</sub>	Minimum Setup Time from SER to SCK			20	ns
	Minimum Setup Time from SCLR to SCK			20	ns
	Minimum Setup Time from SER to RCK (Note 3)			40	ns

# MM74HC595

## AC ELECTRICAL CHARACTERISTICS (continued)

( $V_{CC} = 5\text{ V}$ ,  $T_A = 25^\circ\text{C}$ ,  $t_r = t_f = 6\text{ ns}$ )

Symbol	Parameter	Conditions	Typ	Guaranteed Limit	Unit
$t_H$	Minimum Hold Time from SER to SCK			0	ns
$t_W$	Minimum Pulse Width of SCK or RCK			16	ns

Product parametric performance is indicated in the Electrical Characteristics for the listed test conditions, unless otherwise noted. Product performance may not be indicated by the Electrical Characteristics if operated under different conditions.

3. This setup time ensures the register will see stable data from the shift-register outputs. The clocks may be connected together in which case the storage register state will be one clock pulse behind the shift register.

## ELECTRICAL CHARACTERISTICS

( $V_{CC} = 2.0\text{ V} - 6.0\text{ V}$ ,  $C_L = 50\text{ pF}$ ,  $t_r = t_f = 6\text{ ns}$ , unless otherwise specified)

Symbol	Parameter	Conditions	$V_{CC}$	$T_A = 25^\circ\text{C}$		$T_A = -40\text{ to }85^\circ\text{C}$	$T_A = -55\text{ to }125^\circ\text{C}$	Unit	
				Typ	Guaranteed Limits				
$f_{MAX}$	Maximum Operating Frequency	$C_L = 50\text{ pF}$	2.0 V	10.0	6.0	4.8	4.0	ns	
			4.5 V	45.0	30.0	24.0	20.0	ns	
			6.0 V	50.0	35.0	28.0	24.0	ns	
$t_{PHL}$ , $t_{PLH}$	Maximum Propagation Delay, SCK to $Q'_H$	$C_L = 50\text{ pF}$	2.0 V	58.0	210.0	235.0	315.0	ns	
			2.0 V	83.0	294.0	367.0	441.0	ns	
		$C_L = 150\text{ pF}$	4.5 V	14.0	42.0	53.0	63.0	ns	
			4.5 V	17.0	58.0	74.0	88.0	ns	
		$C_L = 50\text{ pF}$	6.0 V	10.0	36.0	45.0	54.0	ns	
			6.0 V	14.0	50.0	63.0	76.0	ns	
	Maximum Propagation Delay, RCK to $Q_A$ thru $Q'_H$	$C_L = 50\text{ pF}$	2.0 V	70.0	175.0	220.0	265.0	ns	
			2.0 V	105.0	245.0	306.0	368.0	ns	
		$C_L = 150\text{ pF}$	4.5 V	21.0	35.0	44.0	53.0	ns	
			4.5 V	28.0	49.0	61.0	74.0	ns	
		$C_L = 50\text{ pF}$	6.0 V	18.0	30.0	37.0	45.0	ns	
			6.0 V	26.0	42.0	53.0	63.0	ns	
Maximum Propagation Delay, $\overline{SCLR}$ to $Q'_H$		2.0 V		175.0	221.0	261.0	ns		
		4.5 V		35.0	44.0	52.0	ns		
		6.0 V		30.0	37.0	44.0	ns		
$t_{PZH}$ , $t_{PZL}$	Maximum Output Enable Time from $\overline{G}$ to $Q_A$ thru $Q'_H$	$R_L = 1\text{ k}\Omega$	$C_L = 50\text{ pF}$	2.0 V	75.0	175.0	220.0	265.0	ns
			$C_L = 150\text{ pF}$	2.0 V	100.0	245.0	306.0	368.0	ns
		$C_L = 50\text{ pF}$	4.5 V	15.0	35.0	44.0	53.0	ns	
			4.5 V	20.0	49.0	61.0	74.0	ns	
		$C_L = 150\text{ pF}$	6.0 V	13.0	30.0	37.0	45.0	ns	
			6.0 V	17.0	42.0	53.0	63.0	ns	
$t_{PHZ}$ , $t_{PLZ}$	Maximum Output Disable Time from $\overline{G}$ to $Q_A$ thru $Q'_H$	$R_L = 1\text{ k}\Omega$	$C_L = 50\text{ pF}$	2.0 V	75.0	175.0	220.0	265.0	ns
			4.5 V	15.0	35.0	44.0	53.0	ns	
			6.0 V	13.0	30.0	37.0	45.0	ns	
$t_S$	Minimum Setup Time from SER to SCK	$R_L = 1\text{ k}\Omega$	$C_L = 50\text{ pF}$	2.0 V		100.0	125.0	150.0	ns
			4.5 V		20.0	25.0	30.0	ns	
			6.0 V		17.0	21.0	25.0	ns	
$t_R$	Minimum Removal Time from $\overline{SCLR}$ to SCK		2.0 V		50.0	63.0	75.0	ns	
			4.5 V		10.0	13.0	15.0	ns	
			6.0 V		9.0	11.0	13.0	ns	
$t_S$	Minimum Setup Time from SCK to RCK		2.0 V		100.0	125.0	150.0	ns	
			4.5 V		20.0	25.0	30.0	ns	
			6.0 V		17.0	21.0	26.0	ns	

# MM74HC595

## ELECTRICAL CHARACTERISTICS (continued)

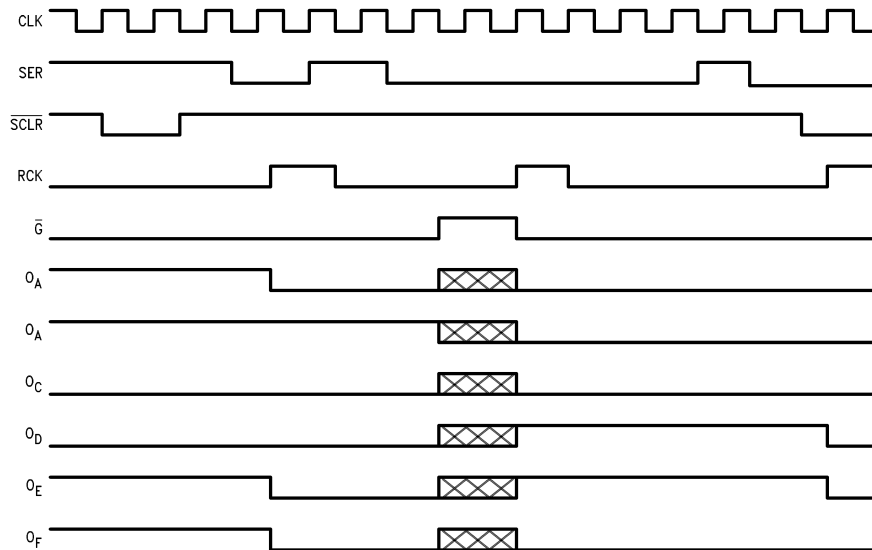
( $V_{CC} = 2.0\text{ V} - 6.0\text{ V}$ ,  $C_L = 50\text{ pF}$ ,  $t_r = t_f = 6\text{ ns}$ , unless otherwise specified)

Symbol	Parameter	Conditions	$V_{CC}$	$T_A = 25^\circ\text{C}$		$T_A = -40\text{ to }85^\circ\text{C}$	$T_A = -55\text{ to }125^\circ\text{C}$	Unit
				Typ	Guaranteed Limits			
$t_H$	Minimum Hold Time from SER to SCK		2.0 V		5.0	5.0	5.0	ns
			4.5 V		5.0	5.0	5.0	ns
			6.0 V		5.0	5.0	5.0	ns
$t_W$	Minimum Pulse Width of SCK or SCLR		2.0 V	30.0	80.0	100.0	120.0	ns
			4.5 V	9.0	16.0	20.0	24.0	ns
			6.0 V	8.0	14.0	18.0	22.0	ns
$t_R, t_F$	Maximum Input Rise and Fall Time, Clock		2.0 V		1000.0	1000.0	1000.0	ns
			4.5 V		500.0	500.0	500.0	ns
			6.0 V		400.0	400.0	400.0	ns
$t_{THL}, t_{TLH}$	Maximum Output Rise and Fall Time $Q_A - Q_H$		2.0 V	25.0	60.0	75.0	90.0	ns
			4.5 V	7.0	12.0	15.0	18.0	ns
			6.0 V	6.0	10.0	13.0	15.0	ns
	Maximum Output Rise and Fall Time $Q'_H$		2.0 V		75.0	95.0	110.0	ns
			4.5 V		15.0	19.0	22.0	ns
			6.0 V		13.0	16.0	19.0	ns
$C_{PD}$	Power Dissipation Capacitance, Outputs Enabled (Note 4)	$\bar{G} = V_{CC}$ $\bar{G} = \text{GND}$		90.0				pF
				150.0				pF
$C_{IN}$	Maximum Input Capacitance			5.0	10.0	10.0	10.0	pF
$C_{OUT}$	Maximum Output Capacitance			15.0	20.0	20.0	20.0	pF

Product parametric performance is indicated in the Electrical Characteristics for the listed test conditions, unless otherwise noted. Product performance may not be indicated by the Electrical Characteristics if operated under different conditions.

4.  $C_{PD}$  determines the no load dynamic power consumption,  $P_D = C_{PD} V_{CC}^2 f + I_{CC} V_{CC}$ , and the no load dynamic current consumption,  $I_S = C_{PD} V_{CC} f + I_{CC}$ .

### Timing Diagram



NOTE:

5. Implies that the output is in 3-state mode.

Figure 3. Timing Diagram

# MM74HC595

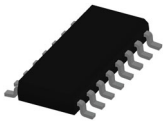
## ORDERING INFORMATION

Device	Package	Shipping <sup>†</sup>
MM74HC595M	SOIC-16 (Pb-Free)	48 Units / Tube
MM74HC595MX		2500 / Tape & Reel
MM74HC595MTC	TSSOP-16 (Pb-Free and Halide Free)	96 Units / Tube
MM74HC595MTCX	TSSOP 16 (Pb-Free and Halide Free)	2500 / Tape & Reel

<sup>†</sup>For information on tape and reel specifications, including part orientation and tape sizes, please refer to our Tape and Reel Packaging Specifications Brochure, [BRD8011/D](#).

# MECHANICAL CASE OUTLINE

## PACKAGE DIMENSIONS

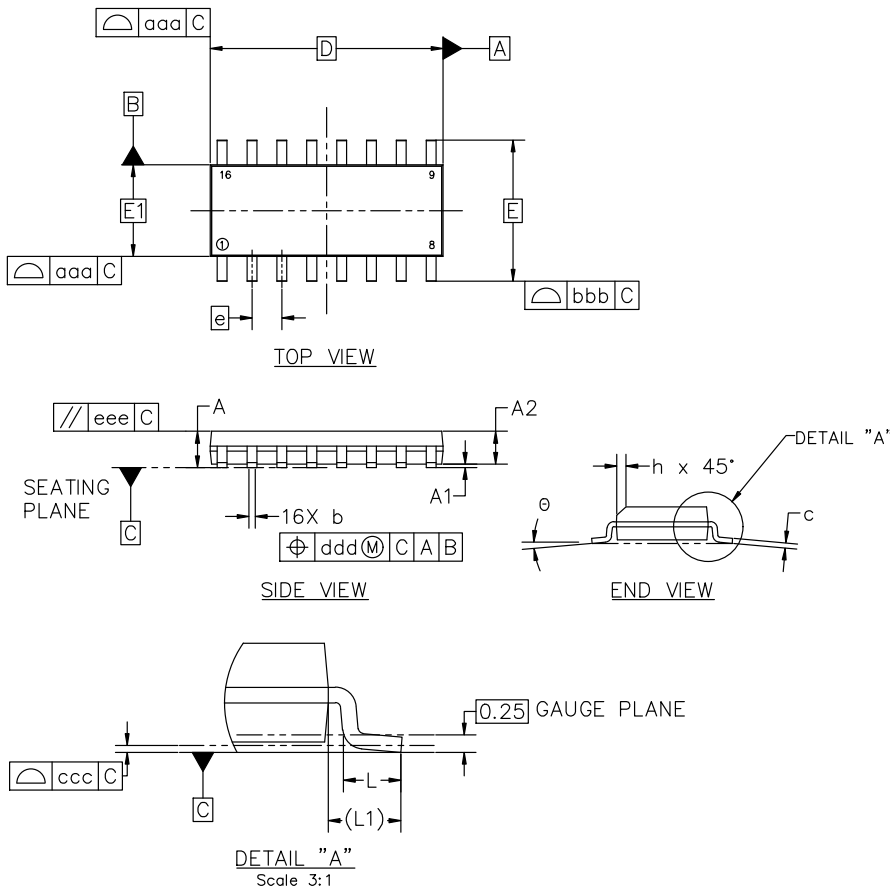


**SOIC-16 9.90x3.90x1.50 1.27P**  
**CASE 751B**  
**ISSUE L**

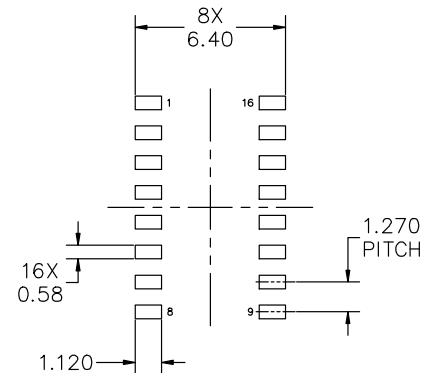
**DATE 29 MAY 2024**

**NOTES:**

1. DIMENSIONING AND TOLERANCING PER ASME Y14.5M, 2018.
2. DIMENSION IN MILLIMETERS. ANGLE IN DEGREES.
3. DIMENSIONS D AND E1 DO NOT INCLUDE MOLD PROTRUSION.
4. MAXIMUM MOLD PROTRUSION 0.15mm PER SIDE.
5. DIMENSION b DOES NOT INCLUDE DAMBAR PROTRUSION. ALLOWABLE DAMBAR PROTRUSION SHALL BE 0.127mm TOTAL IN EXCESS OF THE b DIMENSION AT MAXIMUM MATERIAL CONDITION.



MILLIMETERS			
DIM	MIN	NOM	MAX
A	1.35	1.55	1.75
A1	0.00	0.05	0.10
A2	1.35	1.50	1.65
b	0.35	0.42	0.49
c	0.19	0.22	0.25
D	9.90 BSC		
E	6.00 BSC		
E1	3.90 BSC		
e	1.27 BSC		
h	0.25	---	0.50
L	0.40	0.83	1.25
L1	1.05 REF		
$\theta$	0°	---	7°
TOLERANCE OF FORM AND POSITION			
aaa	0.10		
bbb	0.20		
ccc	0.10		
ddd	0.25		
eee	0.10		



**RECOMMENDED MOUNTING FOOTPRINT**

\*FOR ADDITIONAL INFORMATION ON OUR PB-FREE STRATEGY AND SOLDERING DETAILS, PLEASE DOWNLOAD THE onsemi SOLDERING AND MOUNTING TECHNIQUES REFERENCE MANUAL, SOLDERRM/D

<b>DOCUMENT NUMBER:</b>	<b>98ASB42566B</b>	Electronic versions are uncontrolled except when accessed directly from the Document Repository. Printed versions are uncontrolled except when stamped "CONTROLLED COPY" in red.
<b>DESCRIPTION:</b>	<b>SOIC-16 9.90X3.90X1.50 1.27P</b>	<b>PAGE 1 OF 2</b>

onsemi and onsemi are trademarks of Semiconductor Components Industries, LLC dba onsemi or its subsidiaries in the United States and/or other countries. onsemi reserves the right to make changes without further notice to any products herein. onsemi makes no warranty, representation or guarantee regarding the suitability of its products for any particular purpose, nor does onsemi assume any liability arising out of the application or use of any product or circuit, and specifically disclaims any and all liability, including without limitation special, consequential or incidental damages. onsemi does not convey any license under its patent rights nor the rights of others.

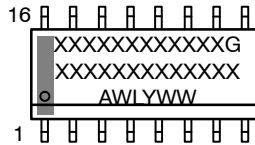
**MECHANICAL CASE OUTLINE**  
**PACKAGE DIMENSIONS**



**SOIC-16 9.90x3.90x1.50 1.27P**  
**CASE 751B**  
**ISSUE L**

DATE 29 MAY 2024

**GENERIC MARKING DIAGRAM\***



XXXXX = Specific Device Code  
 A = Assembly Location  
 WL = Wafer Lot  
 Y = Year  
 WW = Work Week  
 G = Pb-Free Package

\*This information is generic. Please refer to device data sheet for actual part marking. Pb-Free indicator, "G" or microdot "•", may or may not be present. Some products may not follow the Generic Marking.

<p><b>STYLE 1:</b></p> <p>PIN 1. COLLECTOR                  2. BASE                  3. EMITTER                  4. NO CONNECTION                  5. EMITTER                  6. BASE                  7. COLLECTOR                  8. COLLECTOR                  9. BASE                  10. EMITTER                  11. NO CONNECTION                  12. EMITTER                  13. BASE                  14. COLLECTOR                  15. EMITTER                  16. COLLECTOR</p>	<p><b>STYLE 2:</b></p> <p>PIN 1. CATHODE                  2. ANODE                  3. NO CONNECTION                  4. CATHODE                  5. CATHODE                  6. NO CONNECTION                  7. ANODE                  8. CATHODE                  9. CATHODE                  10. ANODE                  11. NO CONNECTION                  12. CATHODE                  13. CATHODE                  14. NO CONNECTION                  15. ANODE                  16. CATHODE</p>	<p><b>STYLE 3:</b></p> <p>PIN 1. COLLECTOR, DYE #1                  2. BASE, #1                  3. EMITTER, #1                  4. COLLECTOR, #1                  5. COLLECTOR, #2                  6. BASE, #2                  7. EMITTER, #2                  8. COLLECTOR, #2                  9. COLLECTOR, #3                  10. BASE, #3                  11. EMITTER, #3                  12. COLLECTOR, #3                  13. COLLECTOR, #4                  14. BASE, #4                  15. EMITTER, #4                  16. COLLECTOR, #4</p>	<p><b>STYLE 4:</b></p> <p>PIN 1. COLLECTOR, DYE #1                  2. COLLECTOR, #1                  3. COLLECTOR, #2                  4. COLLECTOR, #2                  5. COLLECTOR, #3                  6. COLLECTOR, #3                  7. COLLECTOR, #4                  8. COLLECTOR, #4                  9. BASE, #4                  10. EMITTER, #4                  11. BASE, #3                  12. EMITTER, #3                  13. BASE, #2                  14. EMITTER, #2                  15. BASE, #1                  16. EMITTER, #1</p>
<p><b>STYLE 5:</b></p> <p>PIN 1. DRAIN, DYE #1                  2. DRAIN, #1                  3. DRAIN, #2                  4. DRAIN, #2                  5. DRAIN, #3                  6. DRAIN, #3                  7. DRAIN, #4                  8. DRAIN, #4                  9. GATE, #4                  10. SOURCE, #4                  11. GATE, #3                  12. SOURCE, #3                  13. GATE, #2                  14. SOURCE, #2                  15. GATE, #1                  16. SOURCE, #1</p>	<p><b>STYLE 6:</b></p> <p>PIN 1. CATHODE                  2. CATHODE                  3. CATHODE                  4. CATHODE                  5. CATHODE                  6. CATHODE                  7. CATHODE                  8. CATHODE                  9. ANODE                  10. ANODE                  11. ANODE                  12. ANODE                  13. ANODE                  14. ANODE                  15. ANODE                  16. ANODE</p>	<p><b>STYLE 7:</b></p> <p>PIN 1. SOURCE N-CH                  2. COMMON DRAIN (OUTPUT)                  3. COMMON DRAIN (OUTPUT)                  4. GATE P-CH                  5. COMMON DRAIN (OUTPUT)                  6. COMMON DRAIN (OUTPUT)                  7. COMMON DRAIN (OUTPUT)                  8. SOURCE P-CH                  9. SOURCE P-CH                  10. COMMON DRAIN (OUTPUT)                  11. COMMON DRAIN (OUTPUT)                  12. COMMON DRAIN (OUTPUT)                  13. GATE N-CH                  14. COMMON DRAIN (OUTPUT)                  15. COMMON DRAIN (OUTPUT)                  16. SOURCE N-CH</p>	

<b>DOCUMENT NUMBER:</b>	<b>98ASB42566B</b>	Electronic versions are uncontrolled except when accessed directly from the Document Repository. Printed versions are uncontrolled except when stamped "CONTROLLED COPY" in red.
<b>DESCRIPTION:</b>	<b>SOIC-16 9.90X3.90X1.50 1.27P</b>	<b>PAGE 2 OF 2</b>

onsemi and onsemi are trademarks of Semiconductor Components Industries, LLC dba onsemi or its subsidiaries in the United States and/or other countries. onsemi reserves the right to make changes without further notice to any products herein. onsemi makes no warranty, representation or guarantee regarding the suitability of its products for any particular purpose, nor does onsemi assume any liability arising out of the application or use of any product or circuit, and specifically disclaims any and all liability, including without limitation special, consequential or incidental damages. onsemi does not convey any license under its patent rights nor the rights of others.

# MECHANICAL CASE OUTLINE

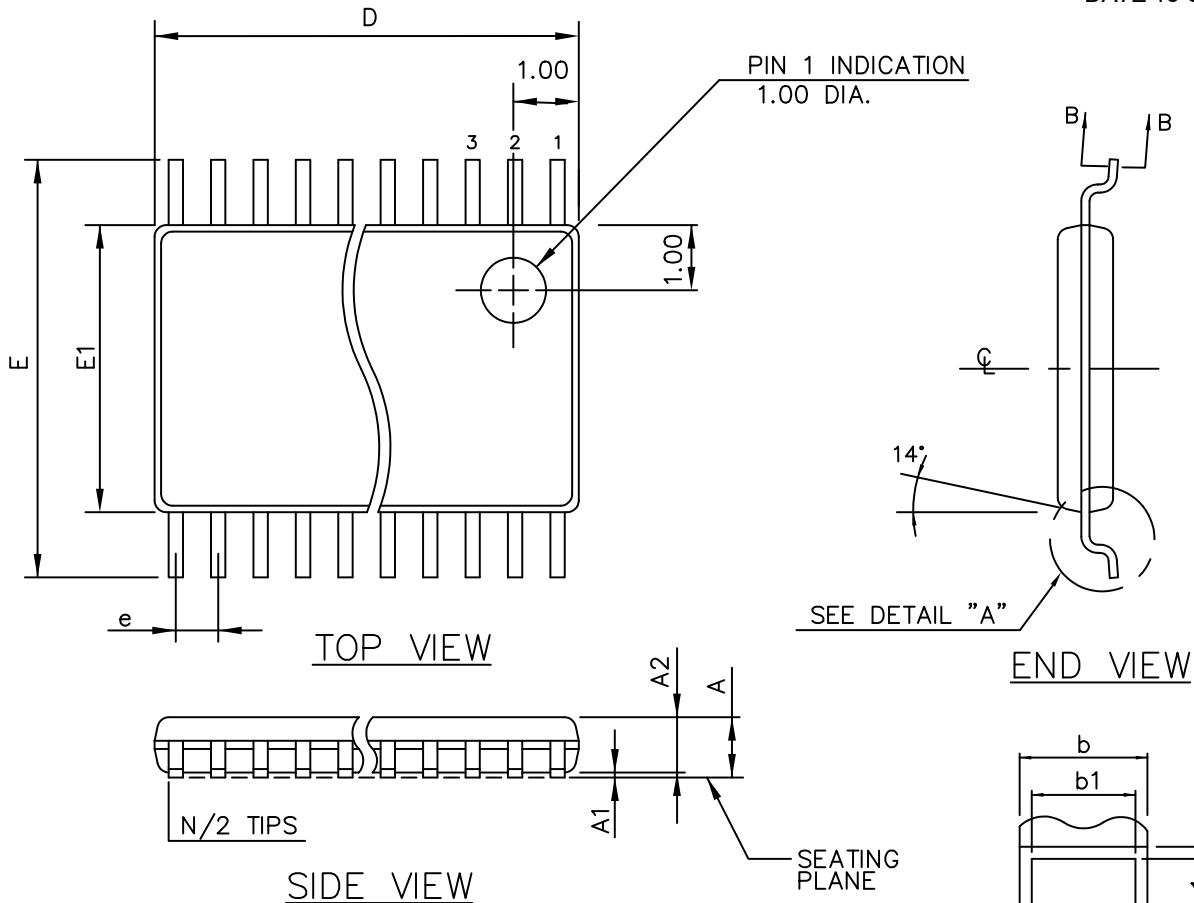
## PACKAGE DIMENSIONS

ON Semiconductor®



TSSOP 16  
CASE 948AH-01  
ISSUE O

DATE 19 SEP 2008

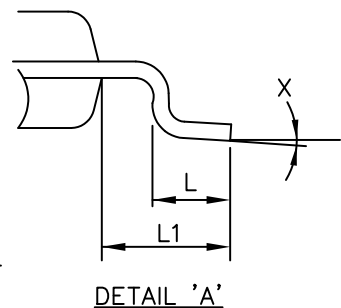


THIS TABLE FOR 0.65mm PITCH

SYMBOL	COMMON DIMENSIONS			NOTE VARIATIONS	D	N
	MIN.	NOM.	MAX.			
A	—	—	1.10	AA/AAT	3.00 BSC	8
A <sub>1</sub>	0.05	—	0.15	AB-1/ABT	5.00 BSC	14
A <sub>2</sub>	0.85	0.90	0.95	AB/ABT	5.00 BSC	16
b	0.19	—	0.30	AD/ADT	7.80 BSC	24
b <sub>1</sub>	0.19	0.22	0.25			
c	0.09	—	0.20			
c <sub>1</sub>	0.09	0.127	0.16			
D	SEE VARIATIONS					
E <sub>1</sub>	4.30	4.40	4.50			
e	0.65 BSC					
E	6.40 BSC					
L	0.50	0.60	0.70			
L <sub>1</sub>	1.00 REF					
N	SEE VARIATIONS					
X	0°	—	8°			

ALL DIMENSIONS IN MILLIMETERS

SECTION "B-B"

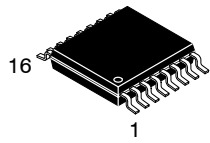


MOLD FLASH OR PROTRUSIONS SHALL NOT EXCEED 0.15mm ON D PER SIDE

<b>DOCUMENT NUMBER:</b>	<b>98AON34923E</b>	Electronic versions are uncontrolled except when accessed directly from the Document Repository. Printed versions are uncontrolled except when stamped "CONTROLLED COPY" in red.
<b>DESCRIPTION:</b>	<b>TSSOP 16</b>	<b>PAGE 1 OF 1</b>

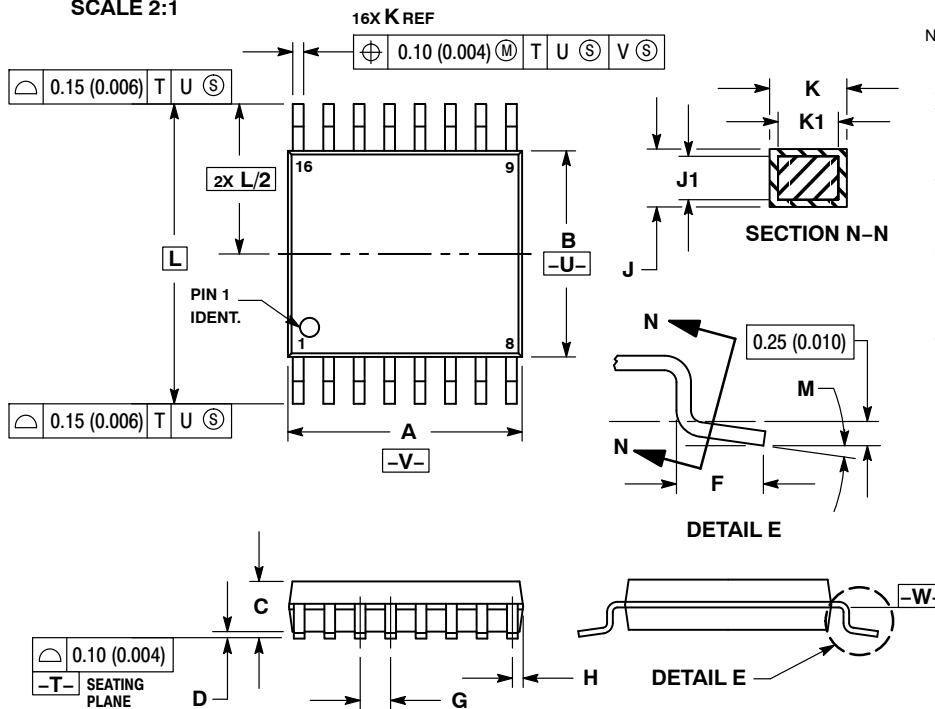
ON Semiconductor and are trademarks of Semiconductor Components Industries, LLC dba ON Semiconductor or its subsidiaries in the United States and/or other countries. ON Semiconductor reserves the right to make changes without further notice to any products herein. ON Semiconductor makes no warranty, representation or guarantee regarding the suitability of its products for any particular purpose, nor does ON Semiconductor assume any liability arising out of the application or use of any product or circuit, and specifically disclaims any and all liability, including without limitation special, consequential or incidental damages. ON Semiconductor does not convey any license under its patent rights nor the rights of others.

# MECHANICAL CASE OUTLINE PACKAGE DIMENSIONS



**TSSOP-16 WB**  
CASE 948F  
ISSUE B

DATE 19 OCT 2006

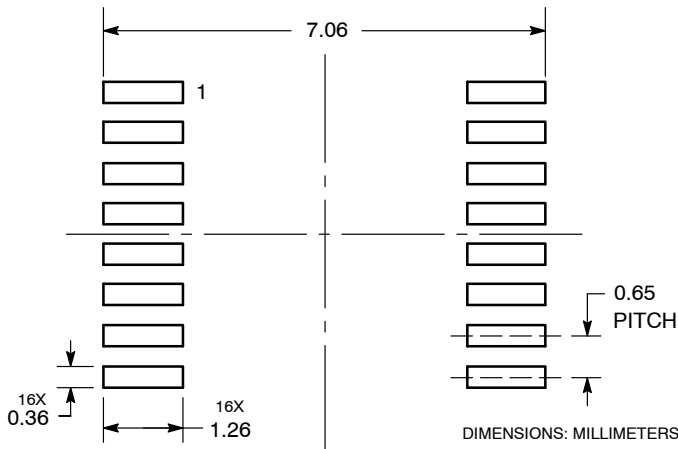


**NOTES:**

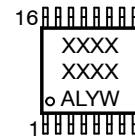
1. DIMENSIONING AND TOLERANCING PER ANSI Y14.5M, 1982.
2. CONTROLLING DIMENSION: MILLIMETER.
3. DIMENSION A DOES NOT INCLUDE MOLD FLASH, PROTRUSIONS OR GATE BURRS. MOLD FLASH OR GATE BURRS SHALL NOT EXCEED 0.15 (0.006) PER SIDE.
4. DIMENSION B DOES NOT INCLUDE INTERLEAD FLASH OR PROTRUSION. INTERLEAD FLASH OR PROTRUSION SHALL NOT EXCEED 0.25 (0.010) PER SIDE.
5. DIMENSION K DOES NOT INCLUDE DAMBAR PROTRUSION. ALLOWABLE DAMBAR PROTRUSION SHALL BE 0.08 (0.003) TOTAL IN EXCESS OF THE K DIMENSION AT MAXIMUM MATERIAL CONDITION.
6. TERMINAL NUMBERS ARE SHOWN FOR REFERENCE ONLY.
7. DIMENSION A AND B ARE TO BE DETERMINED AT DATUM PLANE -W-.

DIM	MILLIMETERS		INCHES	
	MIN	MAX	MIN	MAX
A	4.90	5.10	0.193	0.200
B	4.30	4.50	0.169	0.177
C	---	1.20	---	0.047
D	0.05	0.15	0.002	0.006
F	0.50	0.75	0.020	0.030
G	0.65 BSC		0.026 BSC	
H	0.18	0.28	0.007	0.011
J	0.09	0.20	0.004	0.008
J1	0.09	0.16	0.004	0.006
K	0.19	0.30	0.007	0.012
K1	0.19	0.25	0.007	0.010
L	6.40 BSC		0.252 BSC	
M	0°	8°	0°	8°

**RECOMMENDED  
SOLDERING FOOTPRINT\***



**GENERIC  
MARKING DIAGRAM\***



- XXXX = Specific Device Code
- A = Assembly Location
- L = Wafer Lot
- Y = Year
- W = Work Week
- G or ■ = Pb-Free Package

\*This information is generic. Please refer to device data sheet for actual part marking. Pb-Free indicator, "G" or microdot "■", may or may not be present. Some products may not follow the Generic Marking.

\*For additional information on our Pb-Free strategy and soldering details, please download the **onsemi** Soldering and Mounting Techniques Reference Manual, SOLDERRM/D.

<b>DOCUMENT NUMBER:</b>	<b>98ASH70247A</b>	Electronic versions are uncontrolled except when accessed directly from the Document Repository. Printed versions are uncontrolled except when stamped "CONTROLLED COPY" in red.
<b>DESCRIPTION:</b>	<b>TSSOP-16</b>	<b>PAGE 1 OF 1</b>

onsemi and onsemi are trademarks of Semiconductor Components Industries, LLC dba onsemi or its subsidiaries in the United States and/or other countries. onsemi reserves the right to make changes without further notice to any products herein. onsemi makes no warranty, representation or guarantee regarding the suitability of its products for any particular purpose, nor does onsemi assume any liability arising out of the application or use of any product or circuit, and specifically disclaims any and all liability, including without limitation special, consequential or incidental damages. onsemi does not convey any license under its patent rights nor the rights of others.

**onsemi**, **Onsemi**, and other names, marks, and brands are registered and/or common law trademarks of Semiconductor Components Industries, LLC dba "**onsemi**" or its affiliates and/or subsidiaries in the United States and/or other countries. **onsemi** owns the rights to a number of patents, trademarks, copyrights, trade secrets, and other intellectual property. A listing of **onsemi**'s product/patent coverage may be accessed at [www.onsemi.com/site/pdf/Patent-Marking.pdf](http://www.onsemi.com/site/pdf/Patent-Marking.pdf). **onsemi** reserves the right to make changes at any time to any products or information herein, without notice. The information herein is provided "as-is" and **onsemi** makes no warranty, representation or guarantee regarding the accuracy of the information, product features, availability, functionality, or suitability of its products for any particular purpose, nor does **onsemi** assume any liability arising out of the application or use of any product or circuit, and specifically disclaims any and all liability, including without limitation special, consequential or incidental damages. Buyer is responsible for its products and applications using **onsemi** products, including compliance with all laws, regulations and safety requirements or standards, regardless of any support or applications information provided by **onsemi**. "Typical" parameters which may be provided in **onsemi** data sheets and/or specifications can and do vary in different applications and actual performance may vary over time. All operating parameters, including "Typicals" must be validated for each customer application by customer's technical experts. **onsemi** does not convey any license under any of its intellectual property rights nor the rights of others. **onsemi** products are not designed, intended, or authorized for use as a critical component in life support systems or any FDA Class 3 medical devices or medical devices with a same or similar classification in a foreign jurisdiction or any devices intended for implantation in the human body. Should Buyer purchase or use **onsemi** products for any such unintended or unauthorized application, Buyer shall indemnify and hold **onsemi** and its officers, employees, subsidiaries, affiliates, and distributors harmless against all claims, costs, damages, and expenses, and reasonable attorney fees arising out of, directly or indirectly, any claim of personal injury or death associated with such unintended or unauthorized use, even if such claim alleges that **onsemi** was negligent regarding the design or manufacture of the part. **onsemi** is an Equal Opportunity/Affirmative Action Employer. This literature is subject to all applicable copyright laws and is not for resale in any manner.

## ADDITIONAL INFORMATION

### TECHNICAL PUBLICATIONS:

Technical Library: [www.onsemi.com/design/resources/technical-documentation](http://www.onsemi.com/design/resources/technical-documentation)  
onsemi Website: [www.onsemi.com](http://www.onsemi.com)

### ONLINE SUPPORT: [www.onsemi.com/support](http://www.onsemi.com/support)

For additional information, please contact your local Sales Representative at [www.onsemi.com/support/sales](http://www.onsemi.com/support/sales)

## Looking for pricing, stock, or lifecycle information?

Click below to explore more details on WIN SOURCE:

- ⊖ [View MM74HC595MTC](#) on WIN SOURCE
- ⊖ [ON Semiconductor](#) Information

## Optimize Your Supply Chain with WIN SOURCE Solutions

- ✓ Global Sourcing Solution
- ✓ Obsolete Management
- ✓ Cost Control Management
- ✓ Shortage Management
- ✓ Alternative Solution
- ✓ Excess Inventory Management