



## Precision Monolithic Quad SPST CMOS Analog Switches

### DESCRIPTION

The DG417B, DG418B, DG419B monolithic CMOS analog switches were designed to provide high performance switching of analog signals. Combining low power, low leakages, high speed, low on-resistance and small physical size, the DG417B series is ideally suited for portable and battery powered industrial and military applications requiring high performance and efficient use of board space.

To achieve high-voltage ratings and superior switching performance, the DG417B series is built on Vishay Siliconix's high voltage silicon gate (HVSG) process. Break-before-make is guaranteed for the DG419B, which is an SPDT configuration. An epitaxial layer prevents latchup.

Each switch conducts equally well in both directions when on, and blocks up to the power supply level when off.

The DG417B and DG418B respond to opposite control logic levels as shown in the Truth Table.

### FEATURES

- $\pm 15$  V analog signal range
- On-resistance -  $R_{DS(on)}$ :  $15 \Omega$
- Fast switching action -  $t_{ON}$ : 110 ns
- TTL and CMOS compatible
- MSOP-8 and SOIC-8 package
- Compliant to RoHS directive 2002/95/EC



**RoHS\***  
COMPLIANT

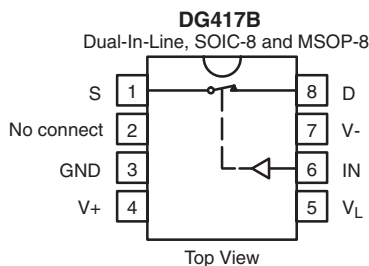
### BENEFITS

- Widest dynamic range
- Low signal errors and distortion
- Break-before-make switching action
- Simple interfacing
- Reduced board space
- Improved reliability

### APPLICATIONS

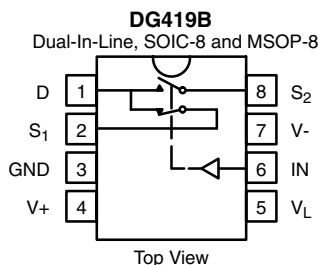
- Precision test equipment
- Precision instrumentation
- Battery powered systems
- Sample-and-hold circuits
- Military radios
- Guidance and control systems
- Hard disk drivers

### FUNCTIONAL BLOCK DIAGRAM AND PIN CONFIGURATION



| TRUTH TABLE |        |        |
|-------------|--------|--------|
| Logic       | DG417B | DG418B |
| 0           | ON     | OFF    |
| 1           | OFF    | ON     |

Logic "0"  $\leq 0.8$  V  
Logic "1"  $\geq 2.4$  V



| TRUTH TABLE - DG419B |                 |                 |
|----------------------|-----------------|-----------------|
| Logic                | SW <sub>1</sub> | SW <sub>2</sub> |
| 0                    | ON              | OFF             |
| 1                    | OFF             | ON              |

Logic "0"  $\leq 0.8$  V  
Logic "1"  $\geq 2.4$  V

\* Pb containing terminations are not RoHS compliant, exemptions may apply

| ORDERING INFORMATION  |                       |  |
|-----------------------|-----------------------|--|
| Temp Range            | Package               | Part Number  |
| <b>DG417B, DG418B</b> |                       |  |
| - 40 °C to 85 °C      | 8-Pin Plastic MiniDIP | DG417BDJ<br>DG417BDJ-E3                                  |
|                       |                       | DG418BDJ<br>DG418BDJ-E3                                  |
|                       | 8-Pin Narrow SOIC     | DG417BDY<br>DG417BDY-E3<br>DG417BDY-T1<br>DG417BDY-T1-E3 |
|                       |                       | DG418BDY<br>DG418BDY-E3<br>DG418BDY-T1<br>DG418BDY-T1-E3 |
|                       | 8-Pin MSOP            | DG417BDQ-T1-E3   |
|                       |                       | DG418BDQ-T1-E3   |
| <b>DG419B</b>         |                       |  |
| - 40 °C to 85 °C      | 8-Pin Plastic MiniDIP | DG419BDJ<br>DG419BDJ-E3                                  |
|                       | 8-Pin Narrow SOIC     | DG419BDY<br>DG419BDY-E3<br>DG419BDY-T1<br>DG419BDY-T1-E3 |
|                       | 8-Pin MSOP            | DG419BDQ-T1-E3   |

| ABSOLUTE MAXIMUM RATINGS                                      |  |      |    |
|---|--|------|----|
| Parameter   | Limit  | Unit |    |
| V-  | - 20   | V    |    |
| V+  | 20   |      |    |
| GND   | 25   |      |    |
| V <sub>L</sub>  | (GND - 0.3) to (V+) + 0.3                                  |      |    |
| Digital Inputs <sup>a</sup> , V <sub>S</sub> , V <sub>D</sub> | (V-) - 2 V to (V+) + 2<br>or 30 mA, whichever occurs first |      |    |
| Current, (Any Terminal) Continuous                            | 30   | mA   |    |
| Current (S or D) Pulsed at 1 ms, 10 % Duty Cycle              | 100  |      |    |
| Storage Temperature   | - 65 to 150  | °C   |    |
| Power Dissipation (Package) <sup>b</sup>                      | 8-Pin Plastic MiniDIP <sup>c</sup>                         | 400  | mW |
|   | 8-Pin Narrow SOIC <sup>c</sup>                             | 400  |    |
|   | 8-Pin MSOP <sup>d</sup>                                    | 400  |    |
|   | 8-Pin CerDIP <sup>e</sup>                                  | 600  |    |

Notes:

- Signals on S<sub>X</sub>, D<sub>X</sub>, or IN<sub>X</sub> exceeding V+ or V- will be clamped by internal diodes. Limit forward diode current to maximum current ratings.
- All leads welded or soldered to PC board.
- Derate 5.3 mW/°C above 75 °C.
- Derate 4 mW/°C above 70 °C.
- Derate 8 mW/°C above 75 °C.

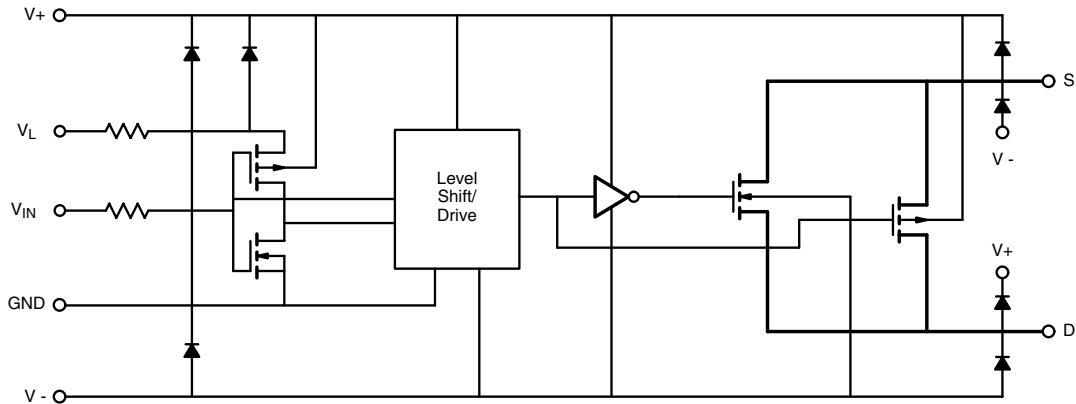
**SCHEMATIC DIAGRAM** Typical Channel


Figure 1.

| <b>SPECIFICATIONS<sup>a</sup></b>         |                     |   |           |       |                     |                   |                               |                   |                              |                   |      |            |
|---|---------------------|---|-----------|-------|---------------------|-------------------|-------------------------------|-------------------|------------------------------|-------------------|------|------------|
| Parameter                                 | Symbol              | Test Conditions<br>Unless Otherwise Specified   |           |       | Temp. <sup>b</sup>  | Typ. <sup>c</sup> | A Suffix<br>- 55 °C to 125 °C |                   | D Suffix<br>- 40 °C to 85 °C |                   | Unit |            |
|   |                     | V <sub>+</sub> = 15 V, V <sub>-</sub> = - 15 V<br>V <sub>L</sub> = 5 V, V <sub>IN</sub> = 2.4 V, 0.8 V <sup>f</sup> |           |       |                     |                   | Min. <sup>d</sup>             | Max. <sup>d</sup> | Min. <sup>d</sup>            | Max. <sup>d</sup> |      |            |
| <b>Analog Switch</b>                      |                     |   |           |       |                     |                   |                               |                   |                              |                   |      |            |
| Analog Signal Range <sup>e</sup>          | V <sub>ANALOG</sub> |   |           |       | Full                |                   | - 15                          | 15                | - 15                         | 15                | V    |            |
| Drain-Source On-Resistance                | R <sub>DS(on)</sub> | I <sub>S</sub> = - 10 mA, V <sub>D</sub> = ± 12.5 V<br>V <sub>+</sub> = 13.5 V, V <sub>-</sub> = - 13.5 V           |           |       | Room Full           | 15                |                               | 25<br>34          |                              | 25<br>29          | Ω    |            |
| Switch Off Leakage Current                | I <sub>S(off)</sub> | V <sub>+</sub> = 16.5 V, V <sub>-</sub> = - 16.5 V<br>V <sub>D</sub> = ± 15.5 V, V <sub>S</sub> = ± 15.5 V          |           |       | Room Full           | - 0.1             | - 0.25<br>- 20                | 0.25<br>20        | - 0.25<br>- 5                | 0.25<br>5         | nA   |            |
|   | I <sub>D(off)</sub> |   |           |       | DG417B              | Room Full         | - 0.1                         | - 0.25<br>- 20    | 0.25<br>20                   | - 0.25<br>- 5     |      | 0.25<br>5  |
|   |                     |   |           |       | DG419B              | Room Full         | - 0.1                         | - 0.75<br>- 60    | 0.75<br>60                   | - 0.75<br>- 12    |      | 0.75<br>12 |
| Channel On Leakage Current                | I <sub>D(on)</sub>  | V <sub>+</sub> = 16.5 V, V <sub>-</sub> = - 16.5 V<br>V <sub>S</sub> = V <sub>D</sub> = ± 15.5 V                    |           |       | DG417B<br>Room Full | - 0.4             | - 0.4<br>- 40                 | 0.4<br>40         | - 0.4<br>- 10                | 0.4<br>10         | nA   |            |
|   |                     | DG419B  | Room Full | - 0.4 | - 0.75<br>- 60      | 0.75<br>60        | - 0.75<br>- 12                | 0.75<br>12        |                              |                   |      |            |
| <b>Digital Control</b>                    |                     |   |           |       |                     |                   |                               |                   |                              |                   |      |            |
| Input Current, V <sub>IN</sub> Low        | I <sub>IL</sub>     |   |           |       | Full                |                   | - 0.5                         | 0.5               | - 0.5                        | 0.5               | μA   |            |
| Input Current, V <sub>IN</sub> High       | I <sub>IH</sub>     |   |           |       | Full                |                   | - 0.5                         | 0.5               | - 0.5                        | 0.5               |      |            |
| <b>Dynamic Characteristics</b>            |                     |   |           |       |                     |                   |                               |                   |                              |                   |      |            |
| Turn-On Time                              | t <sub>ON</sub>     | R <sub>L</sub> = 300 Ω, C <sub>L</sub> = 35 pF<br>V <sub>S</sub> = ± 10 V, See Switching Time Test Circuit          |           |       | DG417B<br>Room Full | 62                |                               | 89<br>106         |                              | 89<br>99          | ns   |            |
| Turn-Off Time                             | t <sub>OFF</sub>    |   |           |       | DG417B<br>Room Full | 53                |                               | 80<br>88          |                              | 80<br>86          |      |            |
| Transition Time                           | t <sub>TRANS</sub>  | R <sub>L</sub> = 300 Ω, C <sub>L</sub> = 35 pF<br>V <sub>S1</sub> = ± 10 V, V <sub>S2</sub> = ± 10 V                |           |       | DG419B<br>Room Full | 60                |                               | 87<br>96          |                              | 87<br>93          |      |            |
| Break-Before-Make Time Delay              | t <sub>D</sub>      | R <sub>L</sub> = 300 Ω, C <sub>L</sub> = 35 pF<br>V <sub>S1</sub> = V <sub>S2</sub> = ± 10 V                        |           |       | DG419B<br>Room      | 16                | 3                             |                   | 3                            |                   |      |            |
| Charge Injection                          | Q                   | C <sub>L</sub> = 10 nF<br>V <sub>gen</sub> = 0 V, R <sub>gen</sub> = 0 Ω  |           |       | Room                | 38                |                               |                   |                              |                   | pC   |            |
| Off Isolation <sup>e</sup>                | OIRR                | R <sub>L</sub> = 50 Ω, C <sub>L</sub> = 5 pF,<br>f = 1 MHz  |           |       | Room                | - 82              |                               |                   |                              |                   | dB   |            |
| Channel-to-Channel Crosstalk <sup>e</sup> | X <sub>TALK</sub>   |   |           |       | DG419B<br>Room      | - 88              |                               |                   |                              |                   |      |            |

| SPECIFICATIONS <sup>a</sup>         |              |  |                    |                   |                               |                   |                              |                   |               |
|-------------------------------------|--------------|--|--------------------|-------------------|-------------------------------|-------------------|------------------------------|-------------------|---------------|
| Parameter                           | Symbol       | Test Conditions<br>Unless Otherwise Specified<br>$V_+ = 15\text{ V}$ , $V_- = -15\text{ V}$<br>$V_L = 5\text{ V}$ , $V_{IN} = 2.4\text{ V}$ , $0.8\text{ V}^f$ | Temp. <sup>b</sup> | Typ. <sup>c</sup> | A Suffix<br>- 55 °C to 125 °C |                   | D Suffix<br>- 40 °C to 85 °C |                   | Unit          |
|                                     |              |  |                    |                   | Min. <sup>d</sup>             | Max. <sup>d</sup> | Min. <sup>d</sup>            | Max. <sup>d</sup> |               |
| <b>Dynamic Characteristics</b>      |              |  |                    |                   |                               |                   |                              |                   |               |
| Source Off Capacitance <sup>e</sup> | $C_{S(off)}$ | $f = 1\text{ MHz}$ , $V_S = 0\text{ V}$  | Room               | 12                |                               |                   |                              |                   | pF            |
| Drain Off Capacitance <sup>e</sup>  | $C_{D(off)}$ |  | DG417B<br>DG418B   | Room              | 12                            |                   |                              |                   |               |
| Channel On Capacitance <sup>e</sup> | $C_{D(on)}$  | $f = 1\text{ MHz}$ , $V_S = 0\text{ V}$  | DG417B<br>DG418B   | Room              | 50                            |                   |                              |                   |               |
|                                     |              |  | DG419B             | Room              | 57                            |                   |                              |                   |               |
| <b>Power Supplies</b>               |              |  |                    |                   |                               |                   |                              |                   |               |
| Positive Supply Current             | $I_+$        | $V_+ = 16.5\text{ V}$ , $V_- = -16.5\text{ V}$<br>$V_{IN} = 0\text{ or }5\text{ V}$  | Room<br>Full       | 0.001             |                               | 1<br>5            |                              | 1<br>5            | $\mu\text{A}$ |
| Negative Supply Current             | $I_-$        |  | Room<br>Full       | - 0.001           | - 1<br>- 5                    |                   | - 1<br>- 5                   |                   |               |
| Logic Supply Current                | $I_L$        |  | Room<br>Full       | 0.001             |                               | 1<br>5            |                              | 1<br>5            |               |
| Ground Current                      | $I_{GND}$    |  | Room<br>Full       | - 0.001           | - 1<br>- 5                    |                   | - 1<br>- 5                   |                   |               |

| SPECIFICATIONS <sup>a</sup>      |              |  |                    |                   |                               |                   |                              |                   |               |
|----------------------------------|--------------|--|--------------------|-------------------|-------------------------------|-------------------|------------------------------|-------------------|---------------|
| Parameter                        | Symbol       | Test Conditions<br>Unless Otherwise Specified<br>$V_+ = 12\text{ V}$ , $V_- = 0\text{ V}$<br>$V_L = 5\text{ V}$ , $V_{IN} = 2.4\text{ V}$ , $0.8\text{ V}^f$ | Temp. <sup>b</sup> | Typ. <sup>c</sup> | A Suffix<br>- 55 °C to 125 °C |                   | D Suffix<br>- 40 °C to 85 °C |                   | Unit          |
|                                  |              |  |                    |                   | Min. <sup>d</sup>             | Max. <sup>d</sup> | Min. <sup>d</sup>            | Max. <sup>d</sup> |               |
| <b>Analog Switch</b>             |              |  |                    |                   |                               |                   |                              |                   |               |
| Analog Signal Range <sup>e</sup> | $V_{ANALOG}$ |  | Full               |                   | 0                             | 12                | 0                            | 12                | V             |
| Drain-Source On-Resistance       | $R_{DS(on)}$ | $I_S = -10\text{ mA}$ , $V_D = 3.8\text{ V}$<br>$V_+ = 10.8\text{ V}$  | Room<br>Full       | 26                |                               | 35<br>52          |                              | 35<br>45          | $\Omega$      |
| <b>Dynamic Characteristics</b>   |              |  |                    |                   |                               |                   |                              |                   |               |
| Turn-On Time                     | $t_{ON}$     | $R_L = 300\ \Omega$ , $C_L = 35\text{ pF}$<br>$V_S = 8\text{ V}$ , See Switching<br>Time Test Circuit  | Room<br>Full       | 100               |                               | 125<br>155        |                              | 125<br>143        | ns            |
| Turn-Off Time                    | $t_{OFF}$    |  | Room<br>Full       | 38                |                               | 66<br>73          |                              | 66<br>69          |               |
| Break-Before-Make Time Delay     | $t_D$        | $R_L = 300\ \Omega$ , $C_L = 35\text{ pF}$   | DG419B<br>Room     | 62                | 25                            |                   | 25                           |                   |               |
| Transition Time                  | $t_{TRANS}$  | $R_L = 300\ \Omega$ , $C_L = 35\text{ pF}$<br>$V_{S1} = 0\text{ V}$ , $8\text{ V}$ , $V_{S2} = 8\text{ V}$ , $0\text{ V}$                                    | Room<br>Full       | 95                |                               | 119<br>153        |                              | 119<br>141        | pC            |
| Charge Injection                 | Q            | $C_L = 10\text{ nF}$ , $V_{gen} = 0\text{ V}$ , $R_{gen} = 0\ \Omega$  | Room               | 18                |                               |                   |                              |                   |               |
| <b>Power Supplies</b>            |              |  |                    |                   |                               |                   |                              |                   |               |
| Positive Supply Current          | $I_+$        | $V_+ = 13.2\text{ V}$ , $V_L = 5.25\text{ V}$<br>$V_{IN} = 0\text{ or }5\text{ V}$   | Room<br>Full       | 0.001             |                               | 1<br>5            |                              | 1<br>5            | $\mu\text{A}$ |
| Negative Supply Current          | $I_-$        |  | Room               | - 0.001           | - 1<br>- 5                    |                   | - 1<br>- 5                   |                   |               |
| Logic Supply Current             | $I_L$        |  | Room               | 0.001             |                               | 1<br>5            |                              | 1<br>5            |               |
| Ground Current                   | $I_{GND}$    |  | Room               | - 0.001           | - 1<br>- 5                    |                   | - 1<br>- 5                   |                   |               |

Notes:

a. Refer to PROCESS OPTION FLOWCHART.

b. Room = 25 °C, full = as determined by the operating temperature suffix.

c. Typical values are for DESIGN AID ONLY, not guaranteed nor subject to production testing.

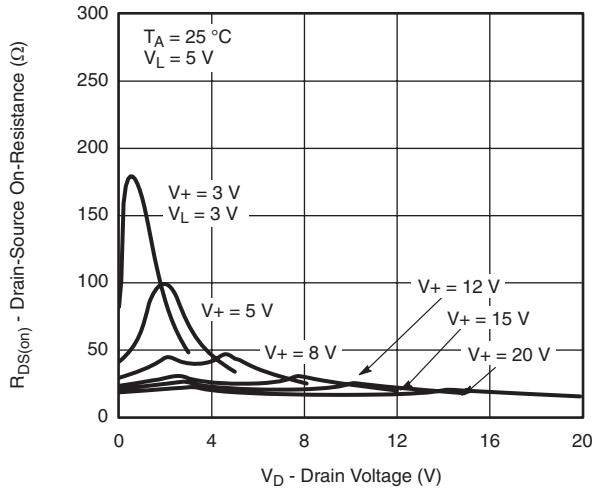
d. The algebraic convention whereby the most negative value is a minimum and the most positive a maximum, is used in this datasheet.

e. Guaranteed by design, not subject to production test.

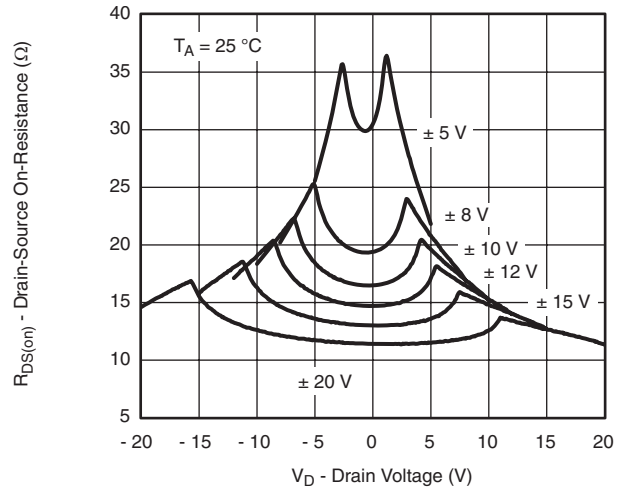
f.  $V_{IN}$  = input voltage to perform proper function.

Stresses beyond those listed under "Absolute Maximum Ratings" may cause permanent damage to the device. These are stress ratings only, and functional operation of the device at these or any other conditions beyond those indicated in the operational sections of the specifications is not implied. Exposure to absolute maximum rating conditions for extended periods may affect device reliability.

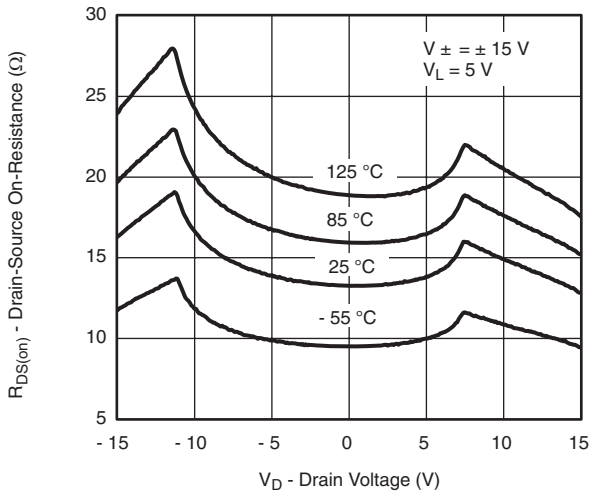
## TYPICAL CHARACTERISTICS $T_A = 25^\circ\text{C}$ , unless otherwise noted



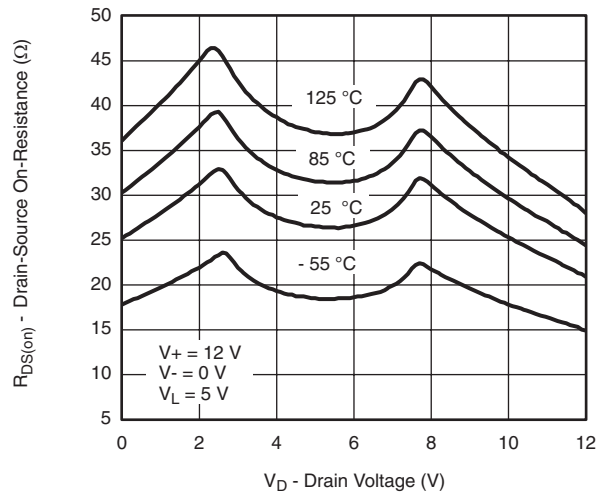
On-Resistance vs.  $V_D$  and Unipolar Power Supply Voltage



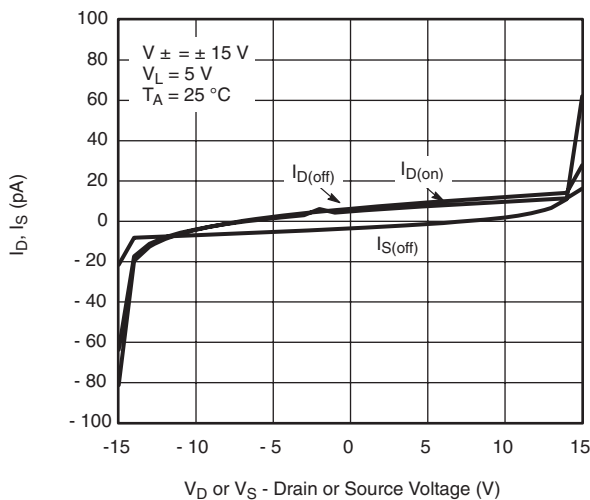
On-Resistance vs.  $V_D$  and Dual Supply Voltage



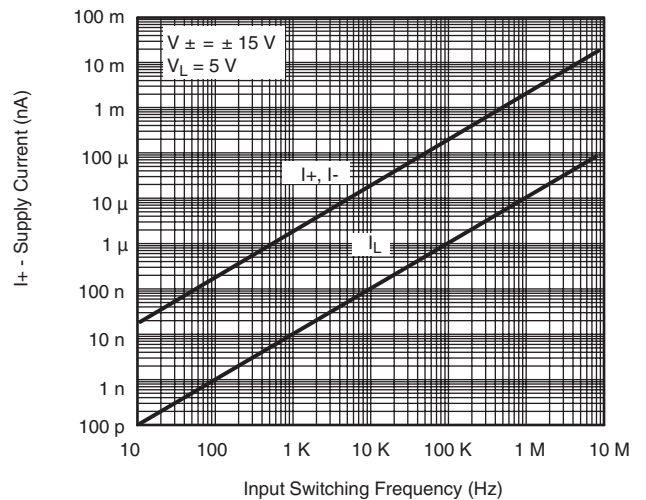
On-Resistance vs.  $V_D$  and Temperature



On-Resistance vs.  $V_D$  and Temperature

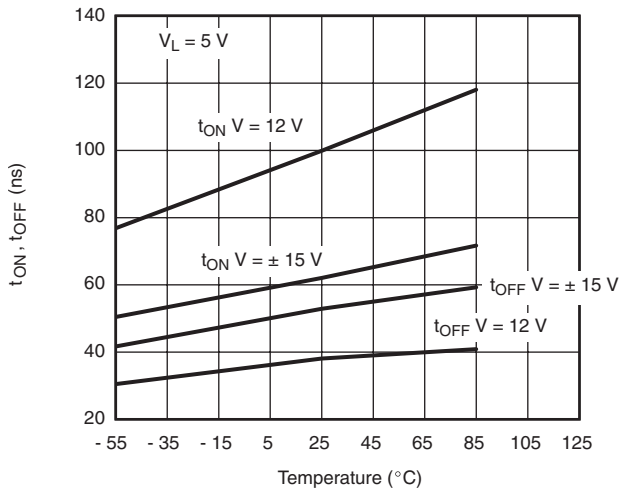


Leakage vs. Analog Voltage

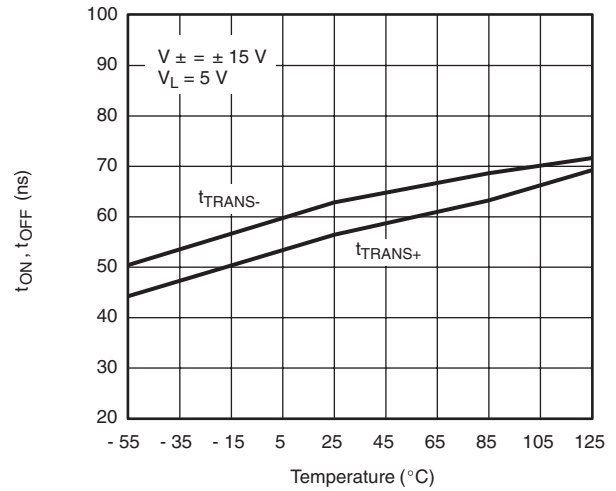


Supply Current vs. Input Switching Frequency

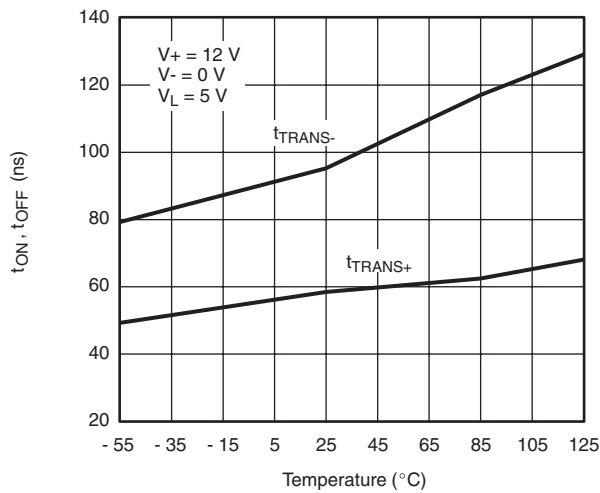
### TYPICAL CHARACTERISTICS $T_A = 25\text{ }^\circ\text{C}$ , unless otherwise noted



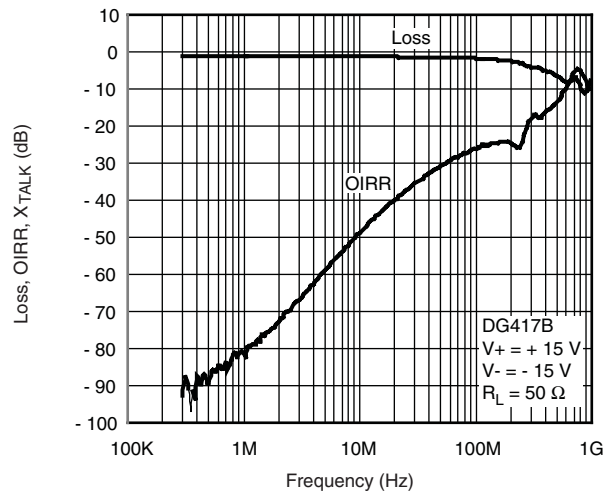
**Switching Time vs. Temperature**



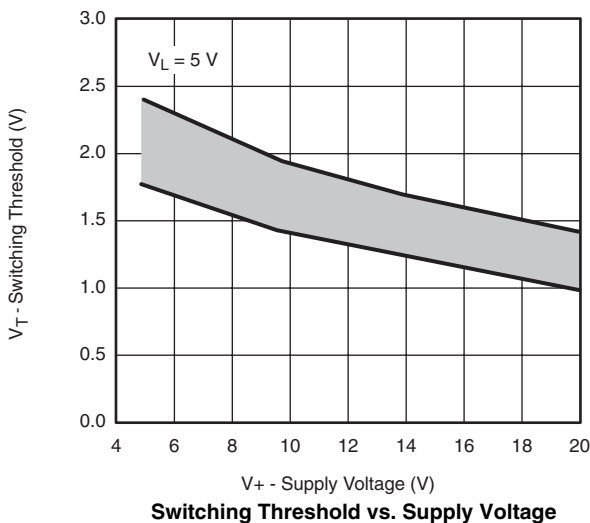
**Transition Time vs. Temperature**



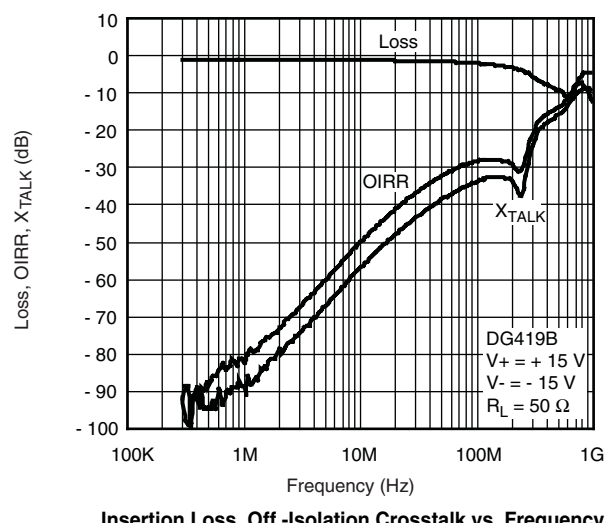
**Transition Time vs. Temperature**



**Insertion Loss, Off-Isolation Crosstalk vs. Frequency**

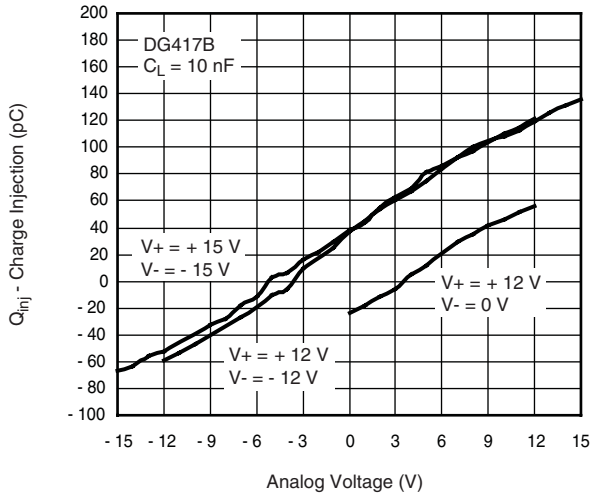


**Switching Threshold vs. Supply Voltage**

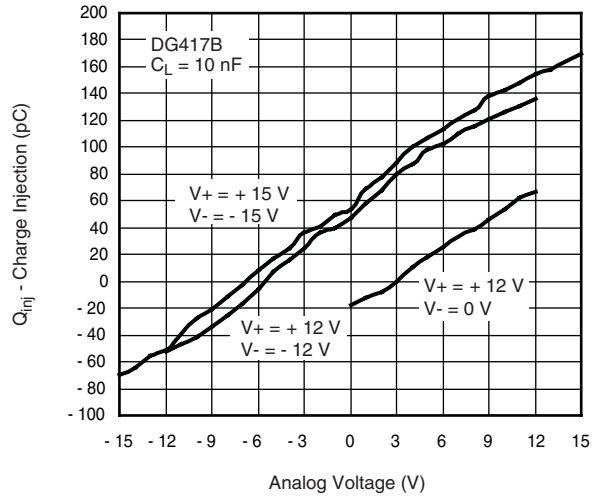


**Insertion Loss, Off-Isolation Crosstalk vs. Frequency**

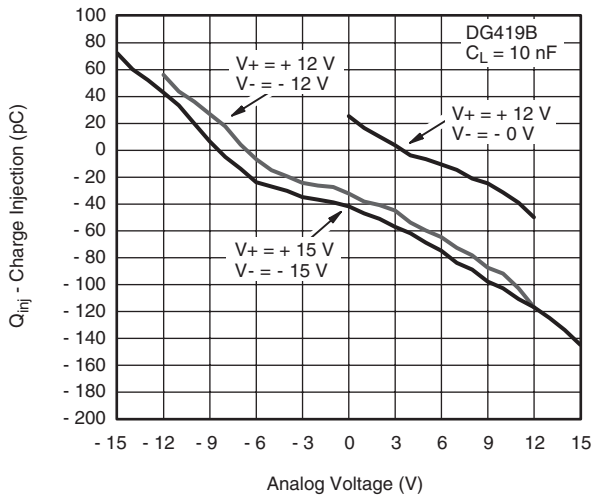
## TYPICAL CHARACTERISTICS $T_A = 25^\circ\text{C}$ , unless otherwise noted



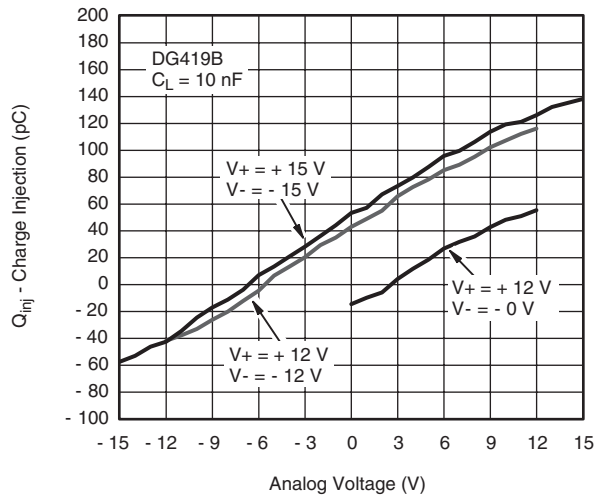
**Charge Injection vs. Analog Voltage  
(Measured at drain pin)**



**Charge Injection vs. Analog Voltage  
(Measured at source pin)**



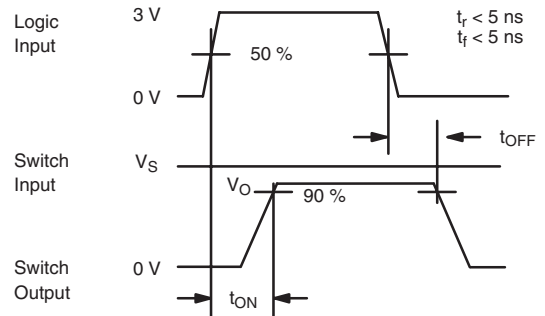
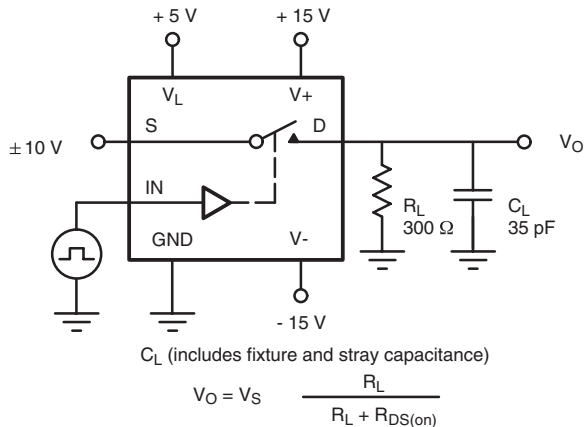
**Charge Injection vs. Analog Voltage  
(Measured at drain pin)**



**Charge Injection vs. Analog Voltage  
(Measured at source pin)**

## TEST CIRCUITS

$V_O$  is the steady state output with the switch on.



Note: Logic input waveform is inverted for switches that have the opposite logic sense.

**Figure 2. Switching Time (DG417B/418B)**

## TEST CIRCUITS

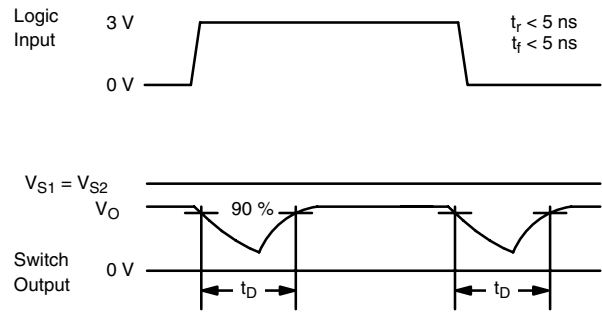
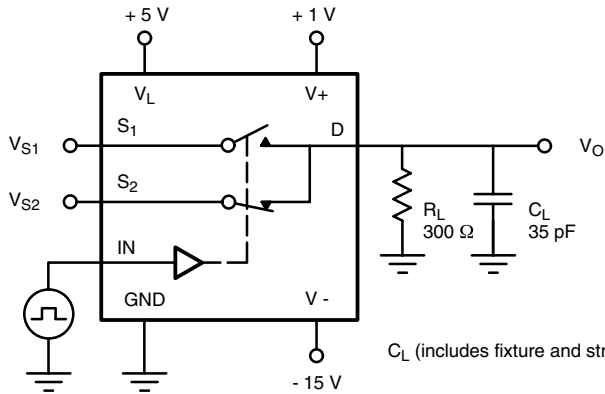
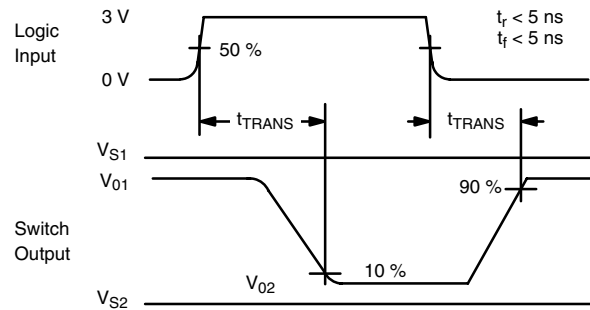
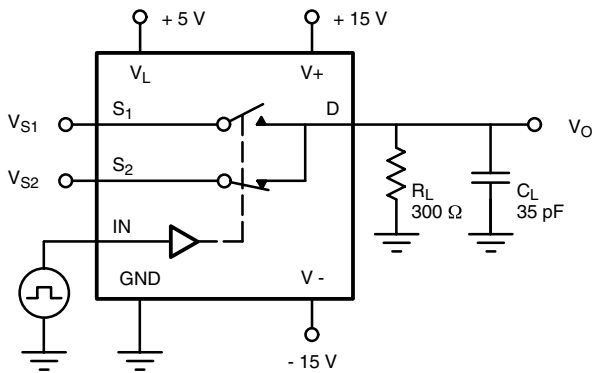


Figure 3. Break-Before-Make (DG419B)



$C_L$  (includes fixture and stray capacitance)

$$V_O = V_S \frac{R_L}{R_L + r_{DS(on)}}$$

Figure 4. Transition Time (DG419B)

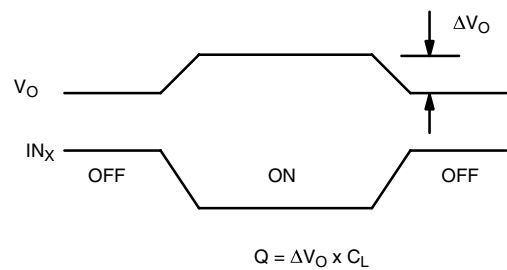
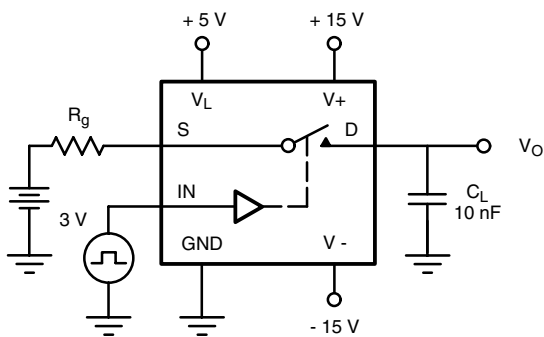
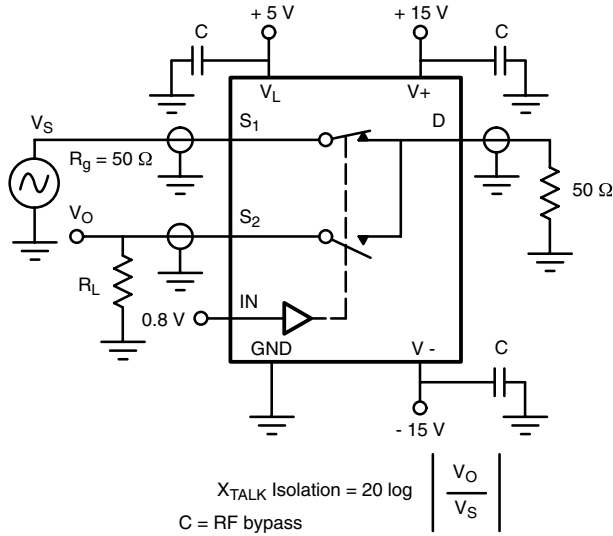
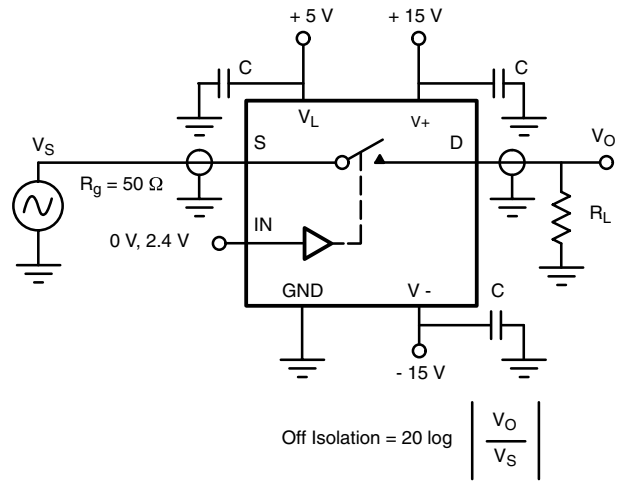


Figure 5. Charge Injection

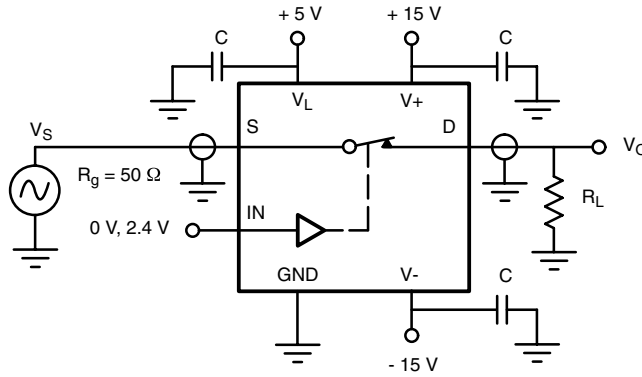
## TEST CIRCUITS



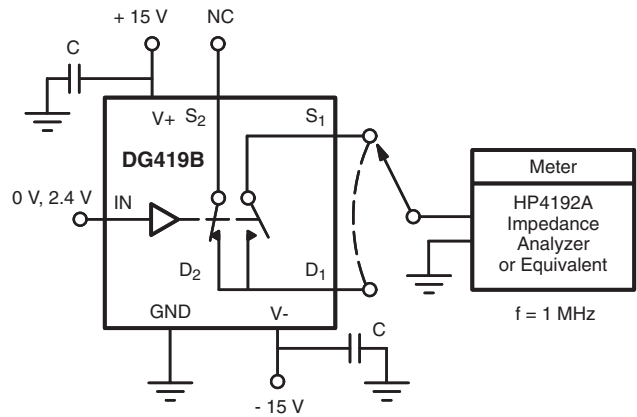
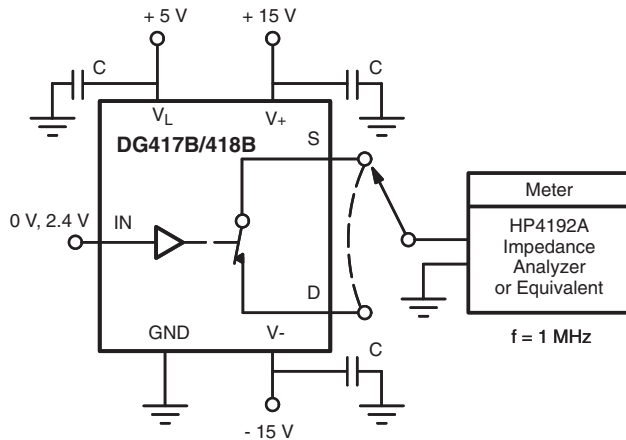
**Figure 6. Crosstalk**



**Figure 7. Off isolation**



**Figure 8. Insertion Loss**

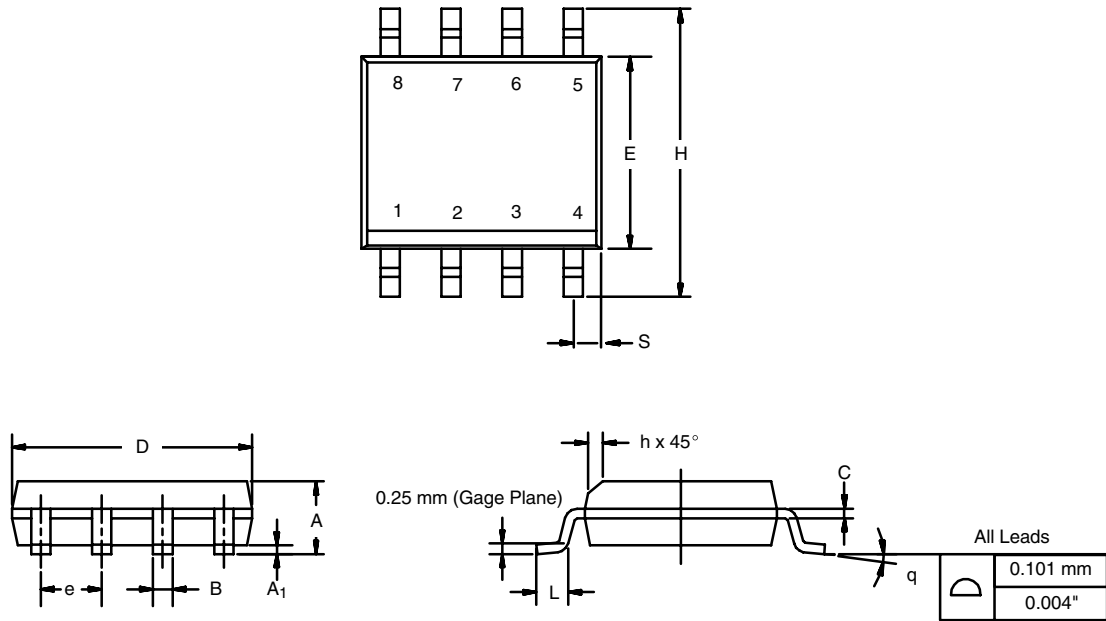


**Figure 9. Source/Drain Capacitances**

Vishay Siliconix maintains worldwide manufacturing capability. Products may be manufactured at one of several qualified locations. Reliability data for Silicon Technology and Package Reliability represent a composite of all qualified locations. For related documents such as package/tape drawings, part marking, and reliability data, see [www.vishay.com/ppg?272107](http://www.vishay.com/ppg?272107).

## SOIC (NARROW): 8-LEAD

JEDEC Part Number: MS-012

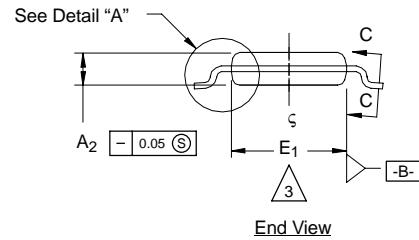
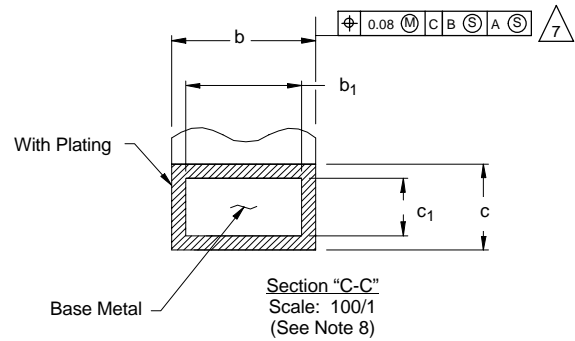
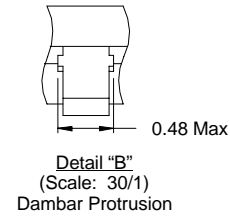
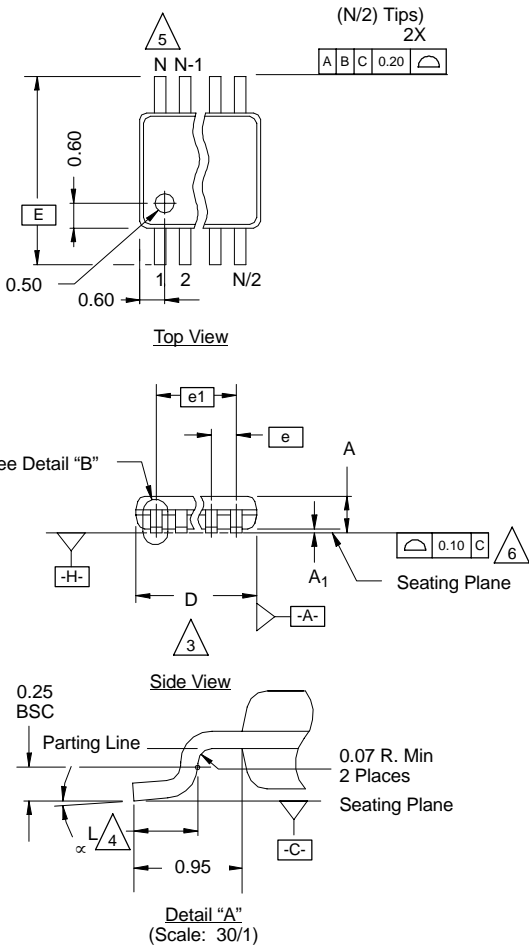


| DIM                            | MILLIMETERS |      | INCHES    |       |
|--------------------------------|-------------|------|-----------|-------|
|                                | Min         | Max  | Min       | Max   |
| A                              | 1.35        | 1.75 | 0.053     | 0.069 |
| A <sub>1</sub>                 | 0.10        | 0.20 | 0.004     | 0.008 |
| B                              | 0.35        | 0.51 | 0.014     | 0.020 |
| C                              | 0.19        | 0.25 | 0.0075    | 0.010 |
| D                              | 4.80        | 5.00 | 0.189     | 0.196 |
| E                              | 3.80        | 4.00 | 0.150     | 0.157 |
| e                              | 1.27 BSC    |      | 0.050 BSC |       |
| H                              | 5.80        | 6.20 | 0.228     | 0.244 |
| h                              | 0.25        | 0.50 | 0.010     | 0.020 |
| L                              | 0.50        | 0.93 | 0.020     | 0.037 |
| q                              | 0°          | 8°   | 0°        | 8°    |
| S                              | 0.44        | 0.64 | 0.018     | 0.026 |
| ECN: C-06527-Rev. I, 11-Sep-06 |             |      |           |       |
| DWG: 5498                      |             |      |           |       |



### MSOP: 8-LEADS

JEDEC Part Number: MO-187, (Variation AA and BA)



**NOTES:**

1. Die thickness allowable is  $0.203 \pm 0.0127$ .
2. Dimensioning and tolerances per ANSI.Y14.5M-1994.
3. Dimensions "D" and "E<sub>1</sub>" do not include mold flash or protrusions, and are measured at Datum plane [-H-], mold flash or protrusions shall not exceed 0.15 mm per side.
4. Dimension is the length of terminal for soldering to a substrate.
5. Terminal positions are shown for reference only.
6. Formed leads shall be planar with respect to one another within 0.10 mm at seating plane.
7. The lead width dimension does not include Dambar protrusion. Allowable Dambar protrusion shall be 0.08 mm total in excess of the lead width dimension at maximum material condition. Dambar cannot be located on the lower radius or the lead foot. Minimum space between protrusions and an adjacent lead to be 0.14 mm. See detail "B" and Section "C-C".
8. Section "C-C" to be determined at 0.10 mm to 0.25 mm from the lead tip.
9. Controlling dimension: millimeters.
10. This part is compliant with JEDEC registration MO-187, variation AA and BA.
11. Datums [-A-] and [-B-] to be determined Datum plane [-H-].
12. Exposed pad area in bottom side is the same as teh leadframe pad size.

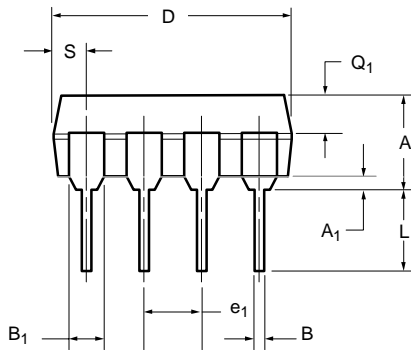
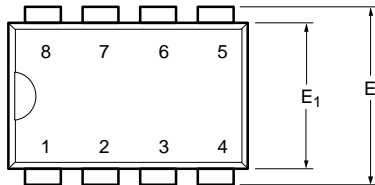
**N = 8L**

| Dim            | MILLIMETERS |      |      | Note |
|----------------|-------------|------|------|------|
|                | Min         | Nom  | Max  |      |
| A              | -           | -    | 1.10 |      |
| A <sub>1</sub> | 0.05        | 0.10 | 0.15 |      |
| A <sub>2</sub> | 0.75        | 0.85 | 0.95 |      |
| b              | 0.25        | -    | 0.38 | 8    |
| b <sub>1</sub> | 0.25        | 0.30 | 0.33 | 8    |
| c              | 0.13        | -    | 0.23 |      |
| c <sub>1</sub> | 0.13        | 0.15 | 0.18 |      |
| D              | 3.00 BSC    |      |      | 3    |
| E              | 4.90 BSC    |      |      |      |
| E <sub>1</sub> | 2.90        | 3.00 | 3.10 | 3    |
| e              | 0.65 BSC    |      |      |      |
| e <sub>1</sub> | 1.95 BSC    |      |      |      |
| L              | 0.40        | 0.55 | 0.70 | 4    |
| N              | 8           |      |      | 5    |
| α              | 0°          | 4°   | 6°   |      |

ECN: T-02080—Rev. C, 15-Jul-02  
 DWG: 5867



**PDIP: 8-LEAD**



| Dim                  | MILLIMETERS |       | INCHES |       |
|----------------------|-------------|-------|--------|-------|
|                      | Min         | Max   | Min    | Max   |
| <b>A</b>             | 3.81        | 5.08  | 0.150  | 0.200 |
| <b>A<sub>1</sub></b> | 0.38        | 1.27  | 0.015  | 0.050 |
| <b>B</b>             | 0.38        | 0.51  | 0.015  | 0.020 |
| <b>B<sub>1</sub></b> | 0.89        | 1.65  | 0.035  | 0.065 |
| <b>C</b>             | 0.20        | 0.30  | 0.008  | 0.012 |
| <b>D</b>             | 9.02        | 10.92 | 0.355  | 0.430 |
| <b>E</b>             | 7.62        | 8.26  | 0.300  | 0.325 |
| <b>E<sub>1</sub></b> | 5.59        | 7.11  | 0.220  | 0.280 |
| <b>e<sub>1</sub></b> | 2.29        | 2.79  | 0.090  | 0.110 |
| <b>e<sub>A</sub></b> | 7.37        | 7.87  | 0.290  | 0.310 |
| <b>L</b>             | 2.79        | 3.81  | 0.110  | 0.150 |
| <b>Q<sub>1</sub></b> | 1.27        | 2.03  | 0.050  | 0.080 |
| <b>S</b>             | 0.76        | 1.65  | 0.030  | 0.065 |

ECN: S-03946—Rev. E, 09-Jul-01  
DWG: 5478

NOTE: End leads may be half leads.

## RECOMMENDED MINIMUM PADS FOR SO-8



Recommended Minimum Pads  
Dimensions in Inches/(mm)

[Return to Index](#)



## **Disclaimer**

ALL PRODUCT, PRODUCT SPECIFICATIONS AND DATA ARE SUBJECT TO CHANGE WITHOUT NOTICE TO IMPROVE RELIABILITY, FUNCTION OR DESIGN OR OTHERWISE.

Vishay Intertechnology, Inc., its affiliates, agents, and employees, and all persons acting on its or their behalf (collectively, "Vishay"), disclaim any and all liability for any errors, inaccuracies or incompleteness contained in any datasheet or in any other disclosure relating to any product.

Vishay makes no warranty, representation or guarantee regarding the suitability of the products for any particular purpose or the continuing production of any product. To the maximum extent permitted by applicable law, Vishay disclaims (i) any and all liability arising out of the application or use of any product, (ii) any and all liability, including without limitation special, consequential or incidental damages, and (iii) any and all implied warranties, including warranties of fitness for particular purpose, non-infringement and merchantability.

Statements regarding the suitability of products for certain types of applications are based on Vishay's knowledge of typical requirements that are often placed on Vishay products in generic applications. Such statements are not binding statements about the suitability of products for a particular application. It is the customer's responsibility to validate that a particular product with the properties described in the product specification is suitable for use in a particular application. Parameters provided in datasheets and / or specifications may vary in different applications and performance may vary over time. All operating parameters, including typical parameters, must be validated for each customer application by the customer's technical experts. Product specifications do not expand or otherwise modify Vishay's terms and conditions of purchase, including but not limited to the warranty expressed therein.

Except as expressly indicated in writing, Vishay products are not designed for use in medical, life-saving, or life-sustaining applications or for any other application in which the failure of the Vishay product could result in personal injury or death. Customers using or selling Vishay products not expressly indicated for use in such applications do so at their own risk. Please contact authorized Vishay personnel to obtain written terms and conditions regarding products designed for such applications.

No license, express or implied, by estoppel or otherwise, to any intellectual property rights is granted by this document or by any conduct of Vishay. Product names and markings noted herein may be trademarks of their respective owners.

## Looking for pricing, stock, or lifecycle information?

Click below to explore more details on WIN SOURCE:

 [View DG417BDJ on WIN SOURCE](#)

 [Vishay Information](#)

## Optimize Your Supply Chain with WIN SOURCE Solutions

-  Global Sourcing Solution
-  Obsolete Management
-  Cost Control Management
-  Shortage Management
-  Alternative Solution
-  Excess Inventory Management