



# THE DATASHEET OF SN65LVPE504RUAR



## Quad Channel (Half X4 Lane) PCIe Redriver/Equalizer

Check for Samples: [SN65LVPE504](#)

### FEATURES

- 4 Identical Channel PCIe Equalizer/Redriver
- Support for Both PCIe Gen I (2.5Gbps) and Gen II (5.0 Gbps) Speed
- Selectable Equalization, De-emphasis, and Output Swing
- Per Channel Receive Detect (Lane Detection)
- Selectable Receiver Electrical Idle Threshold Control
- Low Operating Power Modes
  - Supports Three Low-Power Modes to Enable up to 80% Lower Operating Power
- Excellent Jitter and Loss Compensation Capability to 50" of 4-mil SL on FR4
- Small Foot Print – 42 Pin 9 × 3.5 TQFN Package
- High Protection Against ESD Transient
  - HBM: 6,000 V
  - CDM: 1,000 V
  - MM: 200 V

### DESCRIPTION

The SN65LVPE504 is a quad channel, half four lane PCIe redriver and signal conditioner supporting data rates of up to 5.0Gbps. The device complies with PCIe spec revision 2.1, supporting electrical idle and power management modes.

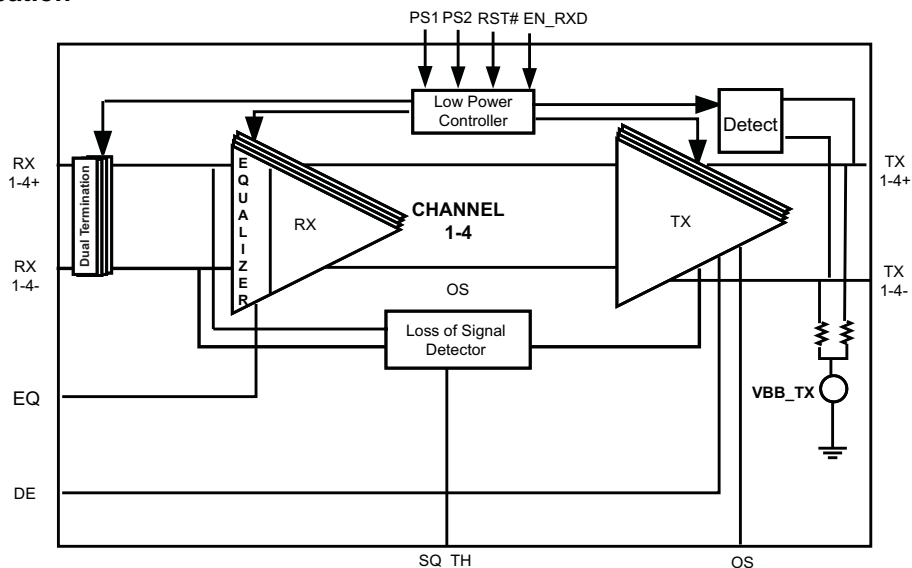
#### Programmable EQ, De-Emphasis and Amplitude Swing

The SN65LVPE504 is designed to minimize the signal degradation effects such as crosstalk and inter-symbol interference (ISI) that limits interconnect distance between two devices. The input stage of each channel offers selectable equalization settings that can be programmed to match loss in the channel. The differential outputs provide selectable de-emphasis to compensate for the anticipated distortion PCIe signal will experience. Both equalization and de-emphasis levels for all 4 channels are controlled by the setting of signal control pins EQ, DE and OS.

See [Table 1](#) for EQ, DE and OS setting details.

### APPLICATIONS

- PC MB, Docking Station, Server, Communication Platform, Backplane and Cabled Application



**Figure 1. Data Flow Block Diagram**



Please be aware that an important notice concerning availability, standard warranty, and use in critical applications of Texas Instruments semiconductor products and disclaimers thereto appears at the end of this data sheet.

## DEVICE OPERATION

### Device PowerOn

Device initiates internal power-on reset after  $V_{CC}$  has stabilized. External reset can also be applied at anytime by toggling  $\overline{RST}$  pin. External reset is recommended after every device power-up. After 50 $\mu$ s (MAX) from the application of  $\overline{RST}$ , device samples the state of EN\_RXD, if it is set H device will enter Rx.Detect state where each of the four channels will perform Rx.Detect function (as described in PCIe spec). If EN\_RXD is set L, automatic RX detect function is disabled and all channels are enabled with their termination set to  $Z_{RX\_DC}$ .

### Receiver Detection

While EN\_RXD pin is H and device is not in reset state ( $\overline{RST}$  is H), LVPE504 performs RX.Detect on all its 4 channels indefinitely until remote termination is detected on at least one channel. When termination is detected on  $\geq 1$  CH, RX.Detect cycle is limited to 5 more tries on the other channels. At the end of 5<sup>th</sup> try those channels which failed to detect remote termination will be turned off to save power and their Rx termination is set to  $Z_{RX-HIGH}$ . In the event device detects only three channels, all four channels are enabled.

Automatic Rx detection feature on all four channels can be forced off by driving EN\_RXD low. In this state all four channels input termination are set to  $Z_{RX\_DC}$ .

### Standby Mode

This is low power state triggered by  $\overline{RST} = L$ . In standby mode receiver termination resistor for each of the four channels is switched to  $Z_{RX-HIGH}$  of >50 k $\Omega$  and transmitters are pulled to Hi-Z state. Device power is reduced to <10mW (TYP). To get device out of standby mode  $\overline{RST}$  is toggled L-H.

### Electrical Idle Support

A link is in an electrical idle state when the  $T_{X\pm}$  voltage is held at a steady constant value like the common mode voltage. LVPE504 detects an electrical idle state when  $R_{X\pm}$  input voltage of the associated channel falls below  $V_{EID\_TH}$  min and stays in this state for at least 20ns. After detection of an electrical idle state in a given channel the device asserts electrical idle state in its corresponding TX. When  $R_{X\pm}$  voltage exceeds  $V_{EID\_TH}$  max, normal operation is restored and output start passing input signal. Electrical idle exit and entry time is specified at < 8 ns (MAX).

Electrical idle support is independent for each channel, however to lower active power it is possible to slave electrical idle function from channel 1 to CH2-CH4. This mode is selected by driving PS2 to H.

### Power Save Features

Device supports three power save modes as below:

#### 1. Standby Mode

This mode can be enabled from any state (Rx detect or active) by driving  $\overline{RST}$  L. In this state all 4 channels have their termination set to  $Z_{RX-HIGH}$  and outputs are at Hi-Z. Device power is 10mW (MAX).

#### 2. Auto Low Power Mode

This mode is enabled when PS1 pin is tied H and device has been in active mode, i.e., past Rx detect state for >250ms (TYP). In this mode anytime  $V_{in\_diff\_p-p}$  falls below selected  $V_{EID\_TH}$  for a *given channel* and stays below  $V_{EID\_TH}$  for >1 $\mu$ s, the associated CH enters auto low power (ALP) mode where power/CH is reduced by >80% of normal operating power/CH. A CH will exit ALP mode whenever  $V_{in\_diff\_p-p}$  exceeds max  $V_{EID\_TH}$  for that channel. Exit latency from ALP state is 30ns max. To use this mode link latency will need to account for the ALP exit time for N\_FTS. ALP mode is handled by each channel independently based on its input differential signal level, unless slave mode is activated (PS2=H) when CH1 controls SQ detect of other channels based on its signal level.

#### 3. Slave Power Mode

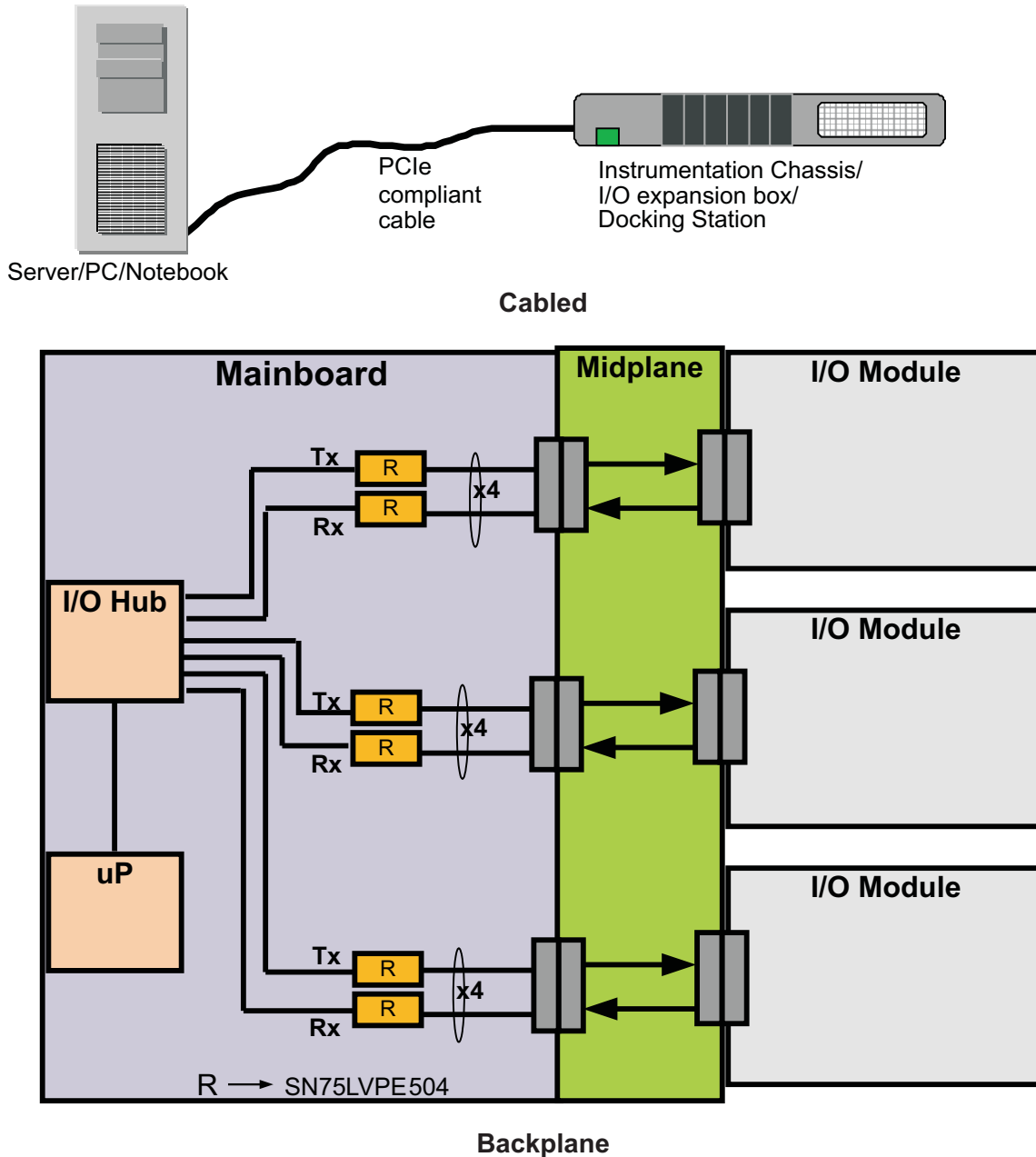
This mode is activated by driving PS2 high. Under normal operation squelch detection is handled by each channel independently. In slave mode SQ detection for CH2, CH3 and CH4 are turned off and squelch function is slaved to that of CH1. By turning off squelch detection circuitry for three of the four channels device saves power. To use this feature user must ensure all channels operate simultaneously

**Squelch Control**

Controls electrical idle detect threshold level. Three levels are supported as shown in [Table 1](#).

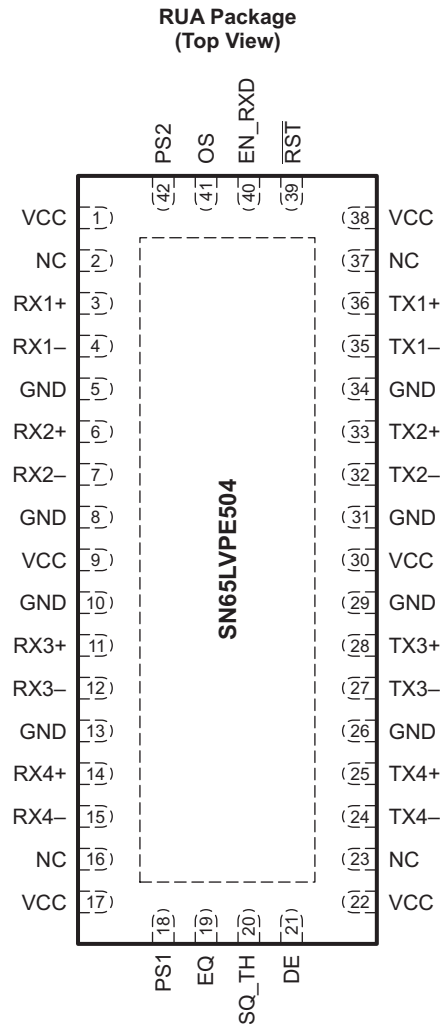
**Beacon Support**

With its broadband design, the SN65LVPE504 supports low frequency Beacon signal (as defined by PCIe 2.1 spec) used to indicate wake-up event to the system by a downstream device when in L2 power state. All requirements for a beacon signal as specified in PCI Express specification 2.1 must be met for device to pass beacon signals.



**Figure 2. LVPE504 Typical Applications**

**DEVICE INFORMATION**



**Figure 3. Flow-Through Pin-Out**

**PIN FUNCTIONS**

PIN		I/O TYPE	DESCRIPTION
NO.	NAME		
<b>HIGH SPEED DIFFERENTIAL I/O PINS</b>			
3	RX1+	I, CML	Non-inverting and inverting CML differential input for CH 1 and CH 4. These pins are tied to an internal voltage bias by dual termination resistor circuit
4	RX1-		
6	RX2+		
7	RX2-		
11	RX3+		
12	RX3-		
14	RX4+		
15	RX4-		
36	TX1+	O, CML	Non-inverting and inverting CML differential output for CH 1 and CH 4. These pins are internally tied to voltage bias by termination resistors
35	TX1-		
33	TX2+		
32	TX2-		

**PIN FUNCTIONS (continued)**

PIN		I/O TYPE	DESCRIPTION
NO.	NAME		
<b>HIGH SPEED DIFFERENTIAL I/O PINS (continued)</b>			
28	TX3+	O, CML	Non-inverting and inverting CML differential output for CH 1 and CH 4. These pins are internally tied to voltage bias by termination resistors
27	TX3–		
25	TX4+		
24	TX4–		
<b>DEVICE CONTROL PIN</b>			
40	EN_RXD	I, LVCMOS	Sets device operation modes per <a href="#">Table 1</a> . Internally pulled to VCC
42	PS2	I, LVCMOS	Tying pin to VCC slaves CH2-4 electrical idle and Rx.Detect function to CH1. Internally pulled to GND
18	PS1	I, LVCMOS	Select auto-low power save mode per <a href="#">Table 1</a> . Internally pulled to GND
20	SQ_TH <sup>(1)</sup>	I, LVCMOS	Squelch threshold level select pin for electrical idle detect per <a href="#">Table 1</a> Internally pulled to VCC/2
39	RST	I, LVCMOS	Reset device, input active Low. Internally pulled to VCC
<b>SIGNAL CONDITIONING PINS<sup>(1)</sup></b>			
21	DE	I, LVCMOS	Selects de-emphasis settings for CH 1-CH 4 per <a href="#">Table 1</a> . Internally pulled to Vcc/2
19	EQ	I, LVCMOS	Selects equalization settings for CH 1-CH 4 per <a href="#">Table 1</a> . Internally pulled to Vcc/2
41	OS	I, LVCMOS	Selects output amplitude for CH 1-CH 4 per <a href="#">Table 1</a> . Internally pulled to Vcc/2
<b>POWER PINS</b>			
1,9,17,22,30,38	VCC	Power	Positive supply should be 3.3V ± 10%
5,8,10,13,26,29,31,34ū	GND	Power	Supply ground

- (1) Internally biased to Vcc/2 with >200kΩ pull-up/pull-down. When 3-state pins are left as NC, board leakage at the pin pad must be < 1 μA otherwise drive to Vcc/2 to assert mid-level state.

**Table 1. Control Pin Settings**

OUTPUT SWING (CH1-CH4) at 5Gbps				SQUELCH THRESHOLD (CH1-CH4)	
OS	TRANSITION BIT AMPLITUDE (TYP mVpp)			SQ_TH	MIN DIFFERENTIAL INPUT (CH1-CH4)
0	800			0	47 mVpp
NC ( <i>default</i> )	929			NC ( <i>default</i> )	61 mVpp
1	1047			1	83 mVpp
OUTPUT DE-EMPHASIS (CH1-CH4) at 5Gbps				INPUT EQUALIZATION (CH1-CH4)	
DE	OS = NC	OS = 0	OS = 1	EQ	Equalization dB (at 5Gbps)
NC ( <i>default</i> )	–3.4dB	–2.1dB	–4.6dB	0	0
0	–6.2dB	–4.9dB	–7.2dB	NC	7 ( <i>default</i> )
1	–10.3dB	–9.2dB	–11dB	1	15
EN_RXD		DEVICE FUNCTION			
0		Set input termination to Rx_DC			
1		Perform Rx detect after power up			
RST		DEVICE FUNCTION			
0		Device in standby state, inputs set to Hi-Z			
1		Device in active mode			
PS1		DEVICE FUNCTION			
0		Auto-low power mode disabled ( <i>default</i> )			
1		Auto-low power mode enabled			
PS2		DEVICE FUNCTION			
0		Electrical Idle and Rx Detect independent for CH1-CH4 ( <i>default</i> )			
1		CH2-CH4 Electrical Idle and Rx Detect slaved to CH1			

**ORDERING INFORMATION<sup>(1)</sup>**

PART NUMBER	PART MARKING	PACKAGE
SN65LVPE504RUAR	LVPE504	42-pin RUA Reel (large)

(1) For the most current package and ordering information, see the Package Option Addendum at the end of this document, or see the TI web site at [www.ti.com](http://www.ti.com).

**ABSOLUTE MAXIMUM RATINGS**

over operating free-air temperature range (unless otherwise noted)<sup>(1)</sup>

		VALUE	UNIT
Supply voltage range <sup>(2)</sup>	V <sub>CC</sub>	–0.5 to 4	V
Voltage range	Differential I/O	–0.5 to 4	V
	Control I/O	–0.5 to V <sub>CC</sub> + 0.5	V
Electrostatic discharge	Human body model <sup>(3)</sup>	±6000	V
	Charged-device model <sup>(4)</sup>	±1000	V
	Machine model <sup>(5)</sup>	±200	V
Continuous power dissipation		See Thermal Table	

- (1) Stresses beyond those listed under absolute maximum ratings may cause permanent damage to the device. These are stress ratings only and functional operation of the device at these or any conditions beyond those indicated under recommended operating conditions is not implied. Exposure to absolute-maximum-rated conditions for extended periods may affect device reliability.
- (2) All voltage values, except differential voltages, are with respect to network ground terminal.
- (3) Tested in accordance with JEDEC Standard 22, Test Method A114-B
- (4) Tested in accordance with JEDEC Standard 22, Test Method C101-A
- (5) Tested in accordance with JEDEC Standard 22, Test Method A115-A

**THERMAL INFORMATION**

THERMAL METRIC		SN65LVPE504	UNITS
		TQFN (42 PINS)	
$\theta_{JA}$	Junction-to-ambient thermal resistance	30	°C/W
$\theta_{JCTop}$	Junction-to-case (top) thermal resistance	12	
$\theta_{JB}$	Junction-to-board thermal resistance	10	
$\Psi_{JT}$	Junction-to-top characterization parameter	0.5	
$\Psi_{JB}$	Junction-to-board characterization parameter	9	
$\theta_{JCbott}$	Junction-to-case (bottom) thermal resistance	4.7	

**RECOMMENDED OPERATING CONDITIONS**

		MIN	TYP	MAX	UNITS
V <sub>CC</sub>	Supply voltage	3	3.3	3.6	V
C <sub>COUPLING</sub>	AC Coupling capacitor	75		200	nF
Operating free-air temperature		–40		85	°C

## ELECTRICAL CHARACTERISTICS

under recommended operating conditions

PARAMETER		CONDITIONS	MIN	TYP	MAX	UNITS
<b>DEVICE PARAMETERS</b>						
$I_{CC}$	Supply current	$\overline{RST}$ , DEX, EQX, OS = NC, EN_RXD = NC, K28.5 pattern at 5 Gbps, VID = 1000mVp-p		174	190	mA
$I_{CC_{Slave}}$		PS2 = VCC; $\overline{RST}$ , DEX, EQX, OS = NC, EN_RXD = NC, K28.5 pattern at 5 Gbps, VID = 1000mVp-p		161	175	
$I_{CC_{ALP}}$		When auto-low power conditions are met, PS1 = VCC		27	32	
$I_{CC_{ALP\_Slave}}$		PS1, PS2 = VCC and link in EID state		14	18	
$I_{CC_{NO\_CONNECT}}$		EN_RXD = 1 No termination detected on any CH		2.5		
$I_{CC_{stdby}}$		$\overline{RST}$ = GND			0.1	
	Maximum data rate				5	Gbps
AutoLP <sub>ENTRY</sub>	Auto low power entry time	Electrical idle at input, Refer to <a href="#">Figure 7</a>		1		$\mu$ s
AutoLP <sub>EXIT</sub>	Auto low power exit time	After first signal activity, Refer to <a href="#">Figure 7</a>			30	ns
$t_{ENB}$	Device enable time	$\overline{RST}$ 0 → 1		5	50	$\mu$ s
$t_{DIS}$	Device disable time	$\overline{RST}$ 1 → 0		0.1	2	$\mu$ s
$T_{RX\_Detect}$	Rx.Detect start event	EN_RXD = 1, Time to start Rx Detect after power up		6		$\mu$ s
<b>CONTROL LOGIC</b>						
$V_{IH}$	High level Input Voltage		1.4		VCC	V
$V_{IL}$	Low Level Input Voltage		-0.3		0.5	V
$V_{HYS}$	Input Hysteresis			150		mV
$I_{IH}$	High Level Input Current	OS, EQ, DE, SQ_TH, PS1, PS2 = VCC			30	$\mu$ A
		EN_RXD, $\overline{RST}$ = VCC			1	
$I_{IL}$	Low Level Input Current	PS1, PS2 = GND		-1		$\mu$ A
		OS, EQ, DE, SQ_TH, EN_RXD, $\overline{RST}$ = GND		-30		
<b>RECEIVER AC/DC</b>						
$V_{in\_diff\_p-p}$	RX1-RX4 Input voltage swing	AC coupled differential signal (5Gbps)	100		1200	mVp-p
$T_{RX\_TJ}$	Max Rx total timing error	At device pin (5Gbps)			0.4	UI
$T_{RX\_DJ}$	Max Rx deterministic timing error	At device pin (5Gbps)			0.3	UI
$V_{CM\_RX}$	RX1-RX4 Common mode voltage		0		3.6	V
$V_{in\_COM\_P}$	RX1-RX4 AC peak common mode voltage				150	mVP
$Z_{RX\_DC}$	DC single ended impedance		40	55	60	$\Omega$
$Z_{RX\_Diff}$	DC Differential input impedance		80	98	120	$\Omega$
$Z_{RX\_High}$	DC Input high impedance	Device in standby mode. Rx termination not powered measured with respect to GND over 200 mV max	50	75		k $\Omega$
$V_{EID\_TH}$	Electrical idle detect threshold	Measured at receiver pin: SQ_TH = NC		61		mVpp
		SQ_TH = 1	58	83	107	
		SQ_TH = 0		47		
$RL_{RX-DIFF}$	Differential return loss	50 MHz – 1.25 GHz	10	15		dB
		1.25 GHz – 2.5 GHz	8	11		
$RL_{RX-CM}$	Common mode return loss	50 MHz – 2.5 GHz	9	14		dB

## ELECTRICAL CHARACTERISTICS (continued)

under recommended operating conditions

PARAMETER		CONDITIONS	MIN	TYP	MAX	UNITS
<b>TRANSMITTER AC/DC</b>						
V <sub>TXDIFF_P-P</sub>	Differential peak-to-peak output voltage	RL = 100Ω ±1%, OS = NC, transition Bit	866	929	1031	mV
		RL = 100Ω ±1%, OS = GND transition Bit	800			
		RL = 100Ω ±1% OS = VCC transition Bit	1047			
		RL = 100Ω ±1%, DE=NC, OS = 0,1,NC on-transition bit	620			
		RL = 100Ω ±1%, DE=OS = 0,1,NC on-transition bit	456			
		RL = 100Ω ±1%, DE=OS = 0,1,NC on-transition bit	288			
	De-emphasis level	OS = NC (Figure 9) for OS = 1 and NC see Table 1)	-3.0	-3.4	-4.0	dB
			-5.5	-6.2	-6.5	
			-9.0	-10.3	-10.6	
T <sub>DE</sub>	De-emphasis width	At 5 Gbps	0.9			UI
Z <sub>TX_diff</sub>	DC Differential impedance	Defined during signaling	80	100	120	Ω
RL <sub>diff_TX</sub>	Differential return loss	f = 50 MHz – 1.25 GHz	10	20		dB
		f = 1.25 GHz – 2.5 GHz	8	13		
RL <sub>CM_TX</sub>	Common mode return loss	f = 50 MHz – 2.5 GHz	6	12		dB
I <sub>TX_SC</sub>	TX short circuit current	TX± shorted to GND	44		90	mA
V <sub>TX_CM_DC</sub>	Transmitter DC common-mode voltage	Allowed DC CM voltage at TX pins	1.8		2.2	V
V <sub>TX_CM_AC2</sub>	TX AC common mode voltage at Gen II speed	Max(V <sub>d+</sub> + V <sub>d-</sub> ) / 2 – Min(V <sub>d+</sub> + V <sub>d-</sub> )/2	30		100	mVpp
V <sub>TX_CM_AC1</sub>	TX AC common mode voltage at Gen I speed	RMS(V <sub>d+</sub> + V <sub>d-</sub> )/2 – DC <sub>AVG</sub> (V <sub>d+</sub> + V <sub>d-</sub> )/2	3		20	mV
V <sub>TX_CM_DeltaL0-L0s</sub>	Absolute Delta DC CM voltage during active and idle states	V <sub>TX_CM_DC [L0]</sub> – V <sub>TX_CM_DC [L0s]</sub>	0		100	mV
V <sub>TX_CM-DC-Line-Delta</sub>	Absolute delta of DC CM voltage between D+ and D-	V <sub>TX_CM_DC-D+ [L0]</sub> – V <sub>TX_CM_DC-D- [L0]</sub>	0		25	mV
V <sub>TX_idle_diff-AC-p</sub>	Electrical idle differential peak output voltage	V <sub>TX-idle-D+</sub> – V <sub>TX-idle-D-</sub>  , LP filtered to remove any DC component	0	1	20	mVpp
V <sub>TX_idle_diff-DC</sub>	DC electrical idle differential output voltage	V <sub>TX_idle-D+</sub> – V <sub>TX_idle-D-</sub>  , LP filtered to remove any AC component	1.9			mV
V <sub>detect</sub>	Voltage change to allow receiver detect	Positive voltage to sense receiver			600	mV
t <sub>R</sub> , t <sub>F</sub>	Output rise/fall time	De-Emphasis = 0 dB, OS = NC (CH 0 and CH 1) 20%-80% of differential voltage at the output	30	55	70	ps
t <sub>RF_MM</sub>	Output rise/fall time mismatch	De-Emphasis = 0dB, OS = NC (CH 0 and CH 1) 20%-80% of differential voltage at the output			20	ps
T <sub>diff_LH</sub> , T <sub>diff_HL</sub>	Differential propagation delay	De-Emphasis = 0dB (CH 0 and CH 1). Propagation delay between 50% level at input and output	280		350	ps
T <sub>INTRA_SKEW</sub>	Output skew (same lane)	5 Gbps			15	ps
T <sub>INTER_SKEW</sub>	Lane to lane skew	5 Gbps	-25		25	ps
t <sub>idleEntry</sub> , t <sub>idleExit</sub>	Idle entry and exit times	See Figure 5			8	ns
T <sub>tx_EID_min</sub>	Minimum time in EID		20			ns
<b>Tx EQUALIZATION AT GEN II SPEED</b>						
TX <sub>DJ</sub> <sup>(1)</sup>	Residual deterministic jitter	At point A1 in Figure 8, EQ/DE=NC, OS=HIGH	25		60	ps p-p
		At point A2 in Figure 8, EQ/DE=NC, OS=LOW	26		60	
		At point B in Figure 8, EQ/DE=NC, OS=HIGH	27		60	
TX <sub>RJ</sub>	Residual random jitter	D24.3 pattern at point A1/A2/B in Figure 8			0.1	psrms

(1) Refer to Figure 8 with ±K28.5 pattern, -3.5dB DE from source AWG

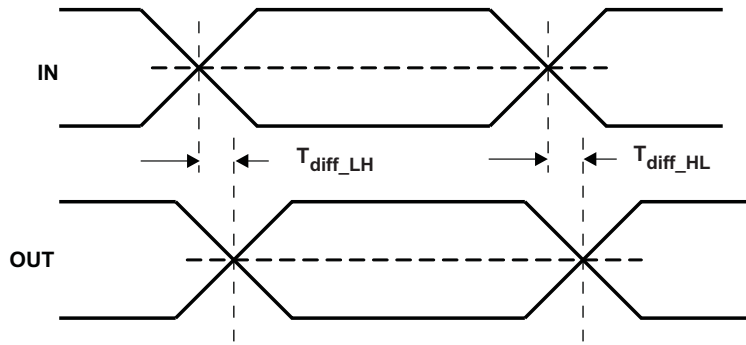


Figure 4. Propagation Delay

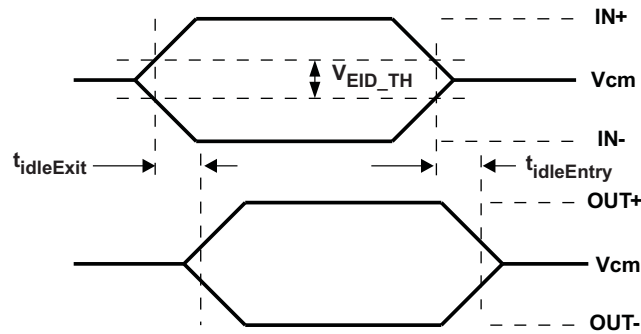


Figure 5. Idle Mode Exit and Entry Delay

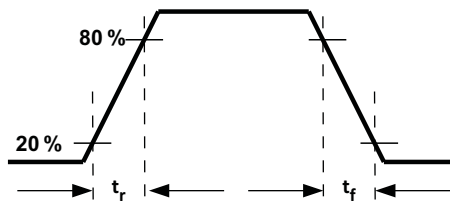


Figure 6. Output Rise and Fall Times

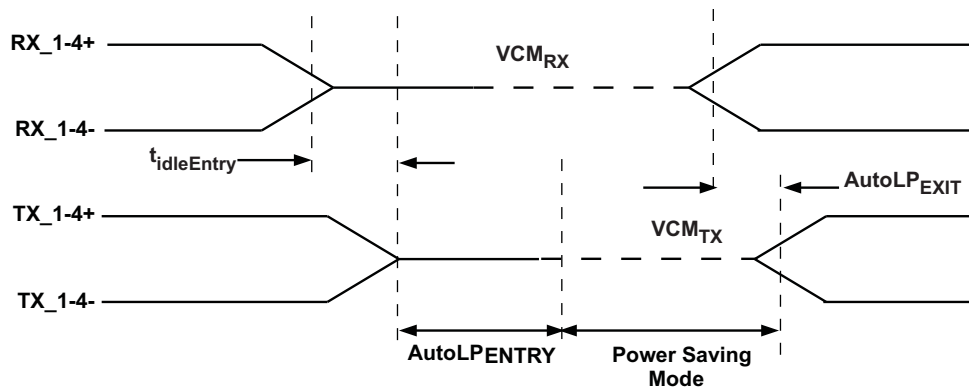


Figure 7. Auto Low Power Mode Timing (when enabled)

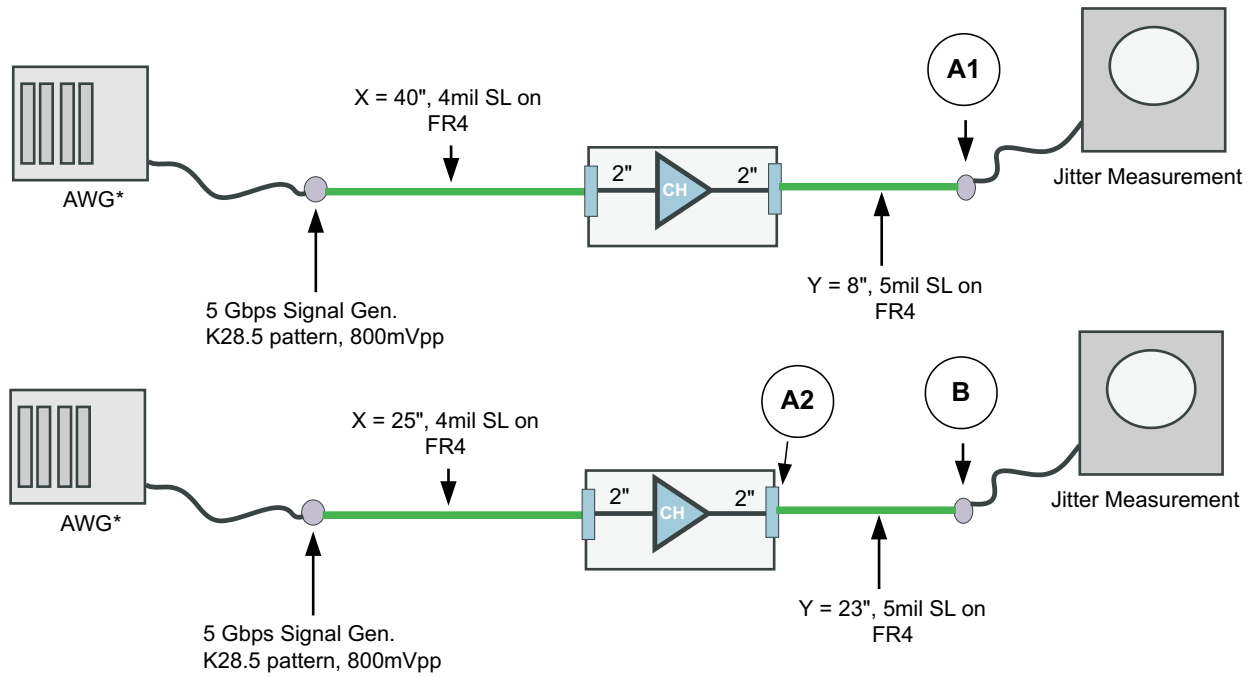


Figure 8. Jitter Measurement Setup

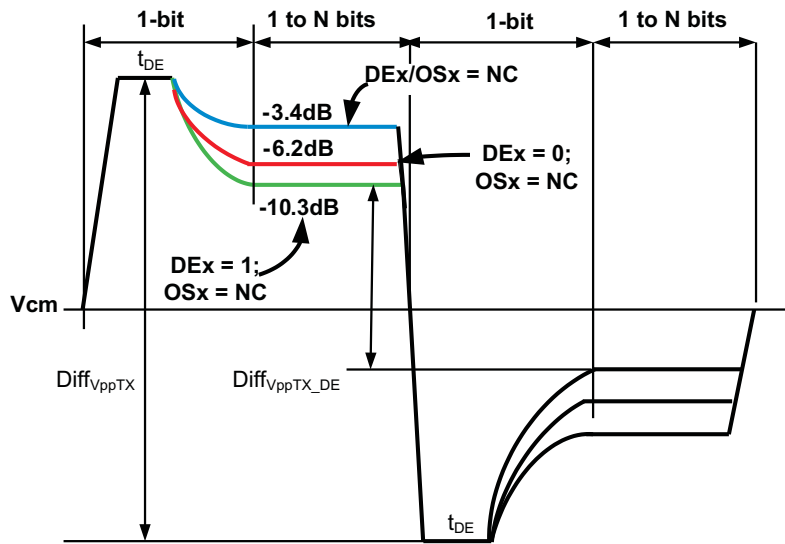


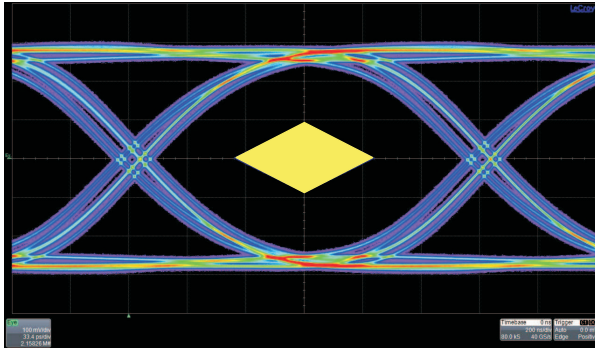
Figure 9. Output De-Emphasis Levels

## TYPICAL CHARACTERISTICS

### TYPICAL EYE DIAGRAM AND PERFORMANCE CURVES

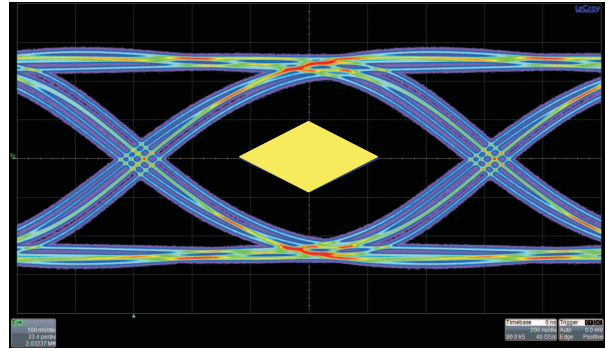
- Input Signal Characteristics – VID = 1000mVpp, DE = -3.5 dB, Pattern = K28.5
- Device Operating Conditions: VCC = 3.3 V, Temp = 25°C
- All trace are 4 mils
- PCIe Gen I and Gen II compliance mask shown

### AT GEN II SPEED



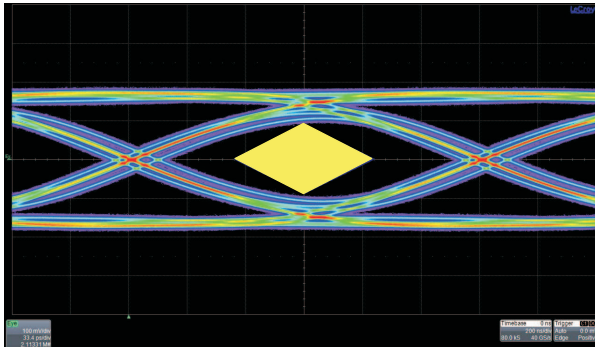
Input Trace = 4", Output Trace = 8"  
EQ = 0 dB, OS = 833 mVpp, DE = -1.9 dB

Figure 10.



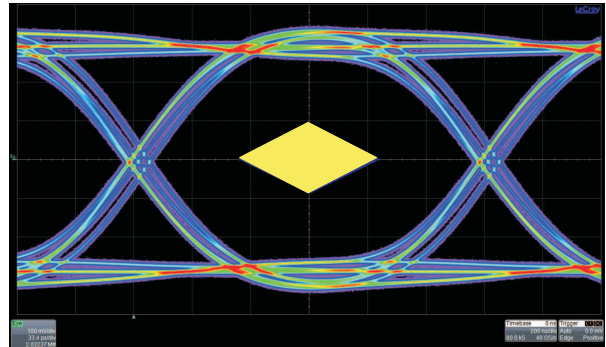
Input Trace = 4", Output Trace = 16"  
EQ = 0 dB, OS = 1166 mVpp, DE = -4.9 dB

Figure 11.



Input Trace = 4", Output Trace = 28"  
EQ = 0 dB, OS = 1166 mVpp, DE = -7.4 dB

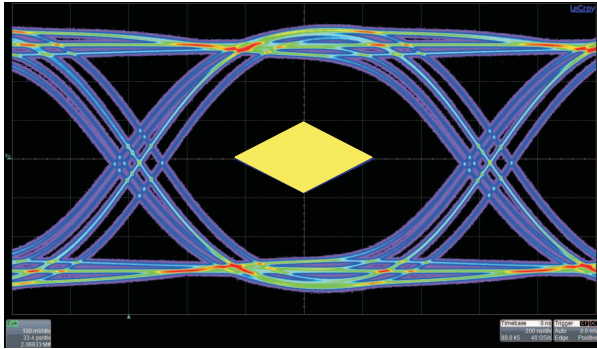
Figure 12.



Input Trace = 16", Output Trace = 4"  
EQ = 0 dB, OS = 833 mVpp, DE = -1.9 dB

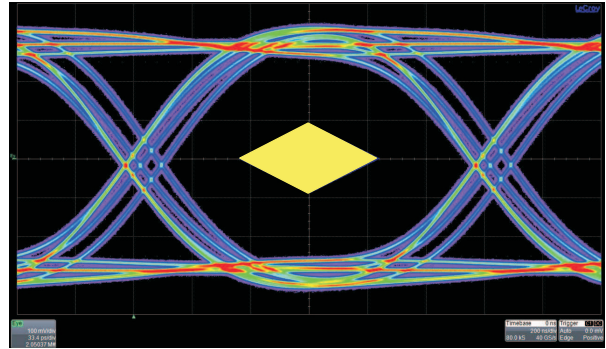
Figure 13.

**TYPICAL CHARACTERISTICS (continued)**



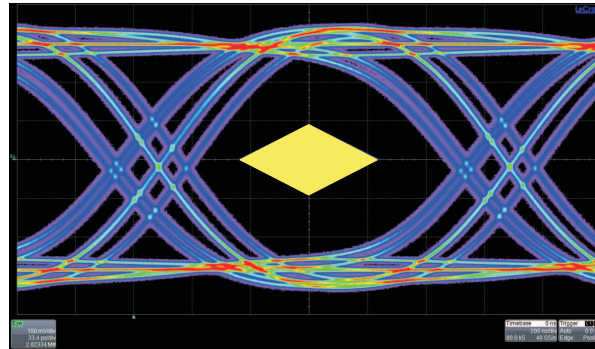
Input Trace = 28", Output Trace = 4"  
EQ = 7 dB, OS = 833 mVpp, DE = -1.9 dB

**Figure 14.**



Input Trace = 36", Output Trace = 4"  
EQ = 7 dB, OS = 833 mVpp, DE = -1.9 dB

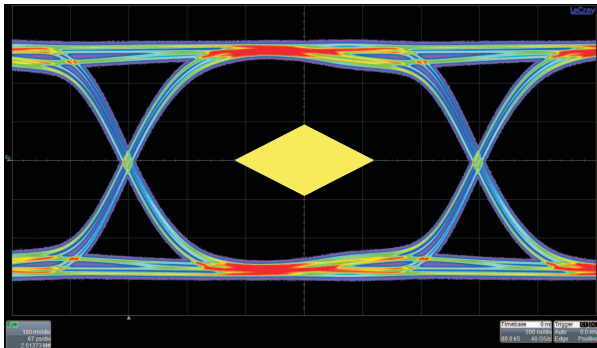
**Figure 15.**



Input Trace = 48", Output Trace = 4"  
EQ = 15 dB, OS = 833 mVpp, DE = -1.9 dB

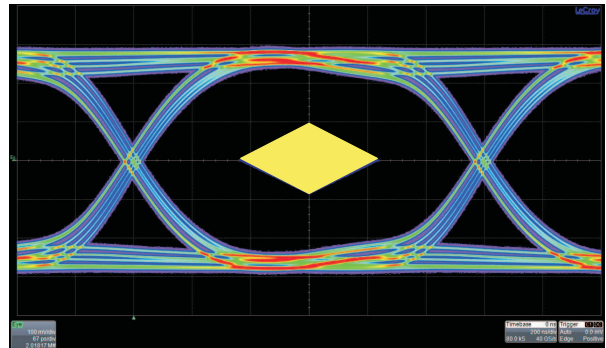
**Figure 16.**

**AT GEN I SPEED**



Input Trace = 4", Output Trace = 8"  
EQ = 7 dB, OS = 833 mVpp, DE = -1.9 dB

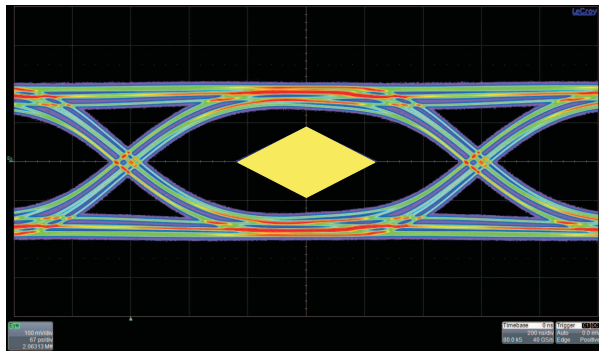
**Figure 17.**



Input Trace = 4", Output Trace = 16"  
EQ = 7 dB, OS = 1166 mVpp, DE = -4.9 dB

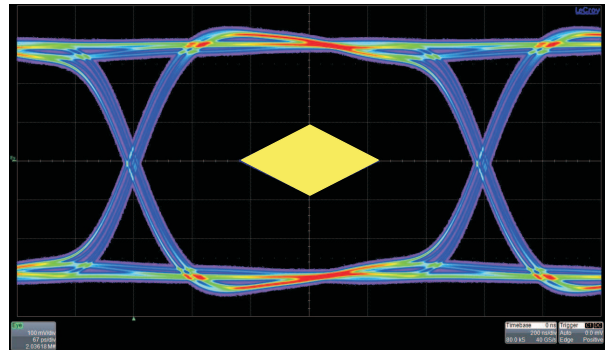
**Figure 18.**

TYPICAL CHARACTERISTICS (continued)



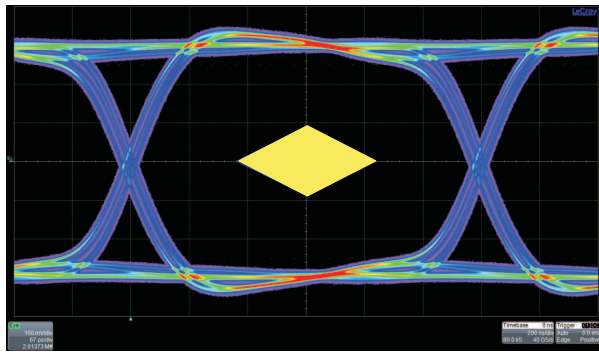
Input Trace = 4", Output Trace = 28"  
EQ = 7 dB, OS = 1166 mVpp, DE = -7.4 dB

Figure 19.



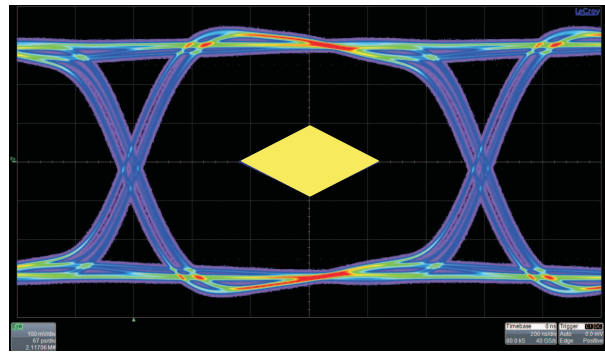
Input Trace = 16", Output Trace = 4"  
EQ = 7 dB, OS = 833 mVpp, DE = -1.9 dB

Figure 20.



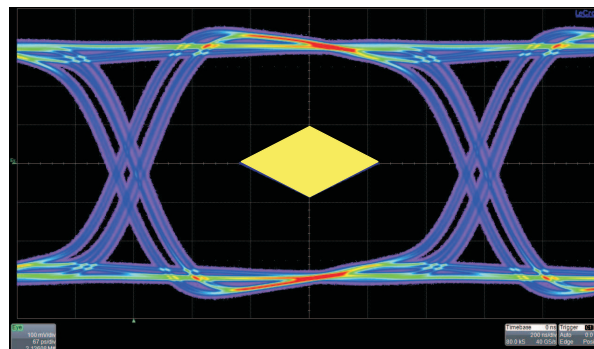
Input Trace = 28", Output Trace = 4"  
EQ = 15 dB, OS = 833 mVpp, DE = -1.9 dB

Figure 21.



Input Trace = 36", Output Trace = 4"  
EQ = 15 dB, OS = 833 mVpp, DE = -1.9 dB

Figure 22.



Input Trace = 48", Output Trace = 4"  
EQ = 15 dB, OS = 833 mVpp, DE = -1.9 dB

Figure 23.

**PACKAGING INFORMATION**

Orderable Device	Status (1)	Package Type	Package Drawing	Pins	Package Qty	Eco Plan (2)	Lead/Ball Finish	MSL Peak Temp (3)	Op Temp (°C)	Top-Side Markings (4)	Samples
SN65LVPE504RUAR	ACTIVE	WQFN	RUA	42	3000	Green (RoHS & no Sb/Br)	CU NIPDAU	Level-2-260C-1 YEAR	-40 to 85	LVPE504	<a href="#">Samples</a>

(1) The marketing status values are defined as follows:

**ACTIVE:** Product device recommended for new designs.

**LIFEBUY:** TI has announced that the device will be discontinued, and a lifetime-buy period is in effect.

**NRND:** Not recommended for new designs. Device is in production to support existing customers, but TI does not recommend using this part in a new design.

**PREVIEW:** Device has been announced but is not in production. Samples may or may not be available.

**OBSOLETE:** TI has discontinued the production of the device.

(2) Eco Plan - The planned eco-friendly classification: Pb-Free (RoHS), Pb-Free (RoHS Exempt), or Green (RoHS & no Sb/Br) - please check <http://www.ti.com/productcontent> for the latest availability information and additional product content details.

**TBD:** The Pb-Free/Green conversion plan has not been defined.

**Pb-Free (RoHS):** TI's terms "Lead-Free" or "Pb-Free" mean semiconductor products that are compatible with the current RoHS requirements for all 6 substances, including the requirement that lead not exceed 0.1% by weight in homogeneous materials. Where designed to be soldered at high temperatures, TI Pb-Free products are suitable for use in specified lead-free processes.

**Pb-Free (RoHS Exempt):** This component has a RoHS exemption for either 1) lead-based flip-chip solder bumps used between the die and package, or 2) lead-based die adhesive used between the die and leadframe. The component is otherwise considered Pb-Free (RoHS compatible) as defined above.

**Green (RoHS & no Sb/Br):** TI defines "Green" to mean Pb-Free (RoHS compatible), and free of Bromine (Br) and Antimony (Sb) based flame retardants (Br or Sb do not exceed 0.1% by weight in homogeneous material)

(3) MSL, Peak Temp. -- The Moisture Sensitivity Level rating according to the JEDEC industry standard classifications, and peak solder temperature.

(4) Multiple Top-Side Markings will be inside parentheses. Only one Top-Side Marking contained in parentheses and separated by a "~" will appear on a device. If a line is indented then it is a continuation of the previous line and the two combined represent the entire Top-Side Marking for that device.

**Important Information and Disclaimer:**The information provided on this page represents TI's knowledge and belief as of the date that it is provided. TI bases its knowledge and belief on information provided by third parties, and makes no representation or warranty as to the accuracy of such information. Efforts are underway to better integrate information from third parties. TI has taken and continues to take reasonable steps to provide representative and accurate information but may not have conducted destructive testing or chemical analysis on incoming materials and chemicals. TI and TI suppliers consider certain information to be proprietary, and thus CAS numbers and other limited information may not be available for release.

In no event shall TI's liability arising out of such information exceed the total purchase price of the TI part(s) at issue in this document sold by TI to Customer on an annual basis.

## TAPE AND REEL INFORMATION



### QUADRANT ASSIGNMENTS FOR PIN 1 ORIENTATION IN TAPE



\*All dimensions are nominal

Device	Package Type	Package Drawing	Pins	SPQ	Reel Diameter (mm)	Reel Width W1 (mm)	A0 (mm)	B0 (mm)	K0 (mm)	P1 (mm)	W (mm)	Pin1 Quadrant
SN65LVPE504RUAR	WQFN	RUA	42	3000	330.0	16.4	3.8	9.3	1.0	8.0	16.0	Q1

**TAPE AND REEL BOX DIMENSIONS**

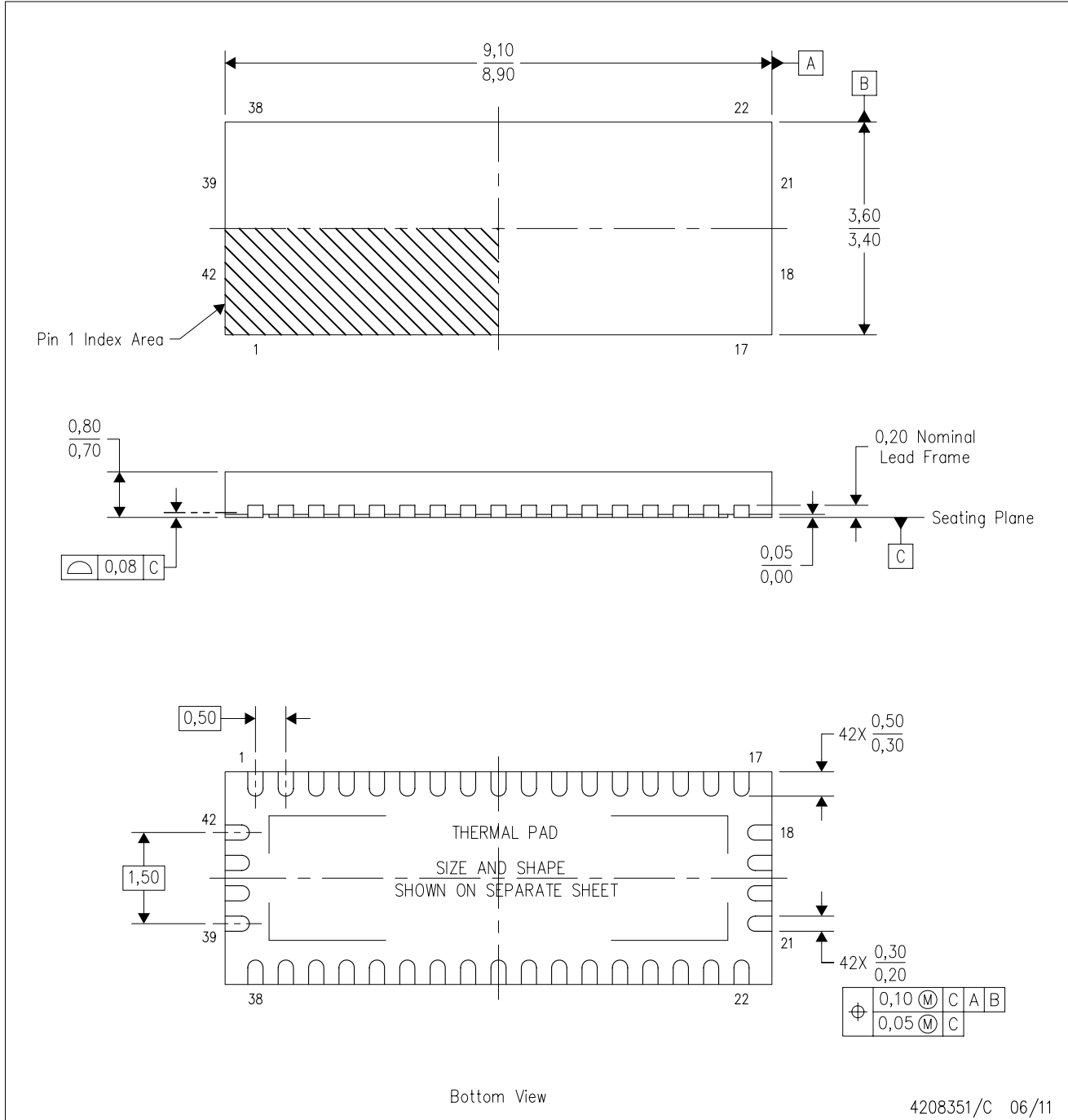


\*All dimensions are nominal

Device	Package Type	Package Drawing	Pins	SPQ	Length (mm)	Width (mm)	Height (mm)
SN65LVPE504RUAR	WQFN	RUA	42	3000	367.0	367.0	38.0

RUA (R-PWQFN-N42)

PLASTIC QUAD FLATPACK NO-LEAD



- NOTES:
- All linear dimensions are in millimeters. Dimensioning and tolerancing per ASME Y14.5M-1994.
  - This drawing is subject to change without notice.
  - QFN (Quad Flatpack No-Lead) package configuration.
  - The package thermal pad must be soldered to the board for thermal and mechanical performance.
  - See the additional figure in the Product Data Sheet for details regarding the exposed thermal pad features and dimensions.

## THERMAL PAD MECHANICAL DATA

RUA (R-PWQFN-N42)

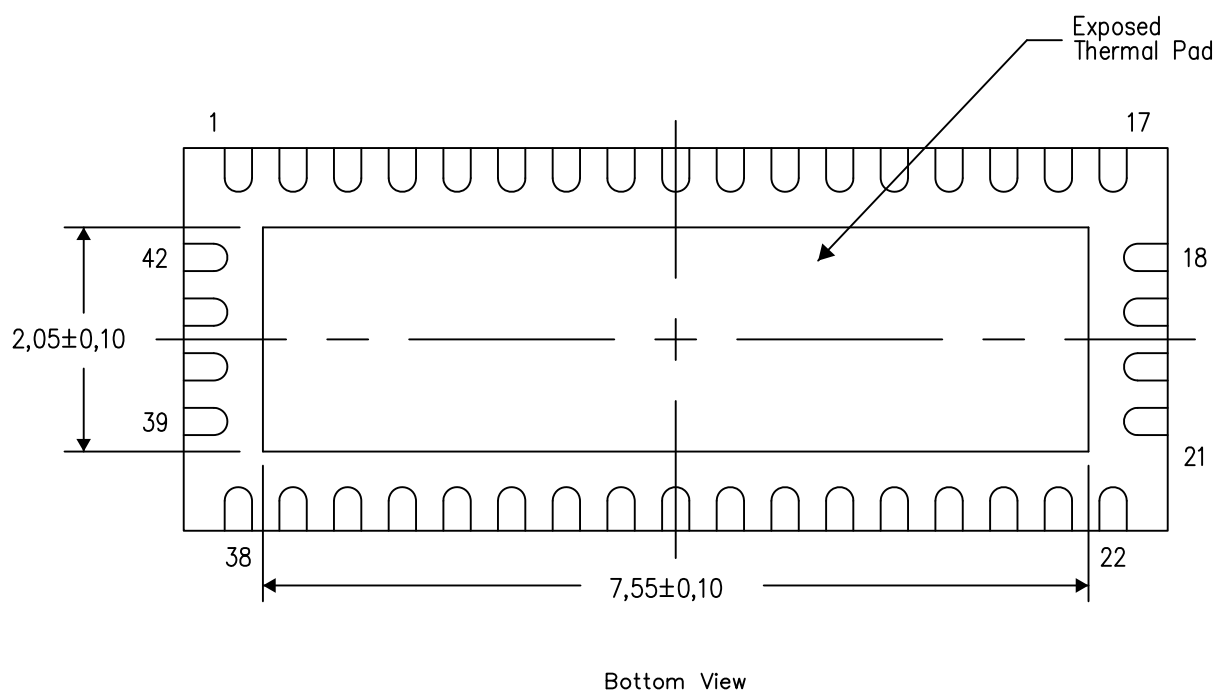
PLASTIC QUAD FLATPACK NO-LEAD

### THERMAL INFORMATION

This package incorporates an exposed thermal pad that is designed to be attached directly to an external heatsink. The thermal pad must be soldered directly to the printed circuit board (PCB). After soldering, the PCB can be used as a heatsink. In addition, through the use of thermal vias, the thermal pad can be attached directly to the appropriate copper plane shown in the electrical schematic for the device, or alternatively, can be attached to a special heatsink structure designed into the PCB. This design optimizes the heat transfer from the integrated circuit (IC).

For information on the Quad Flatpack No-Lead (QFN) package and its advantages, refer to Application Report, QFN/SON PCB Attachment, Texas Instruments Literature No. SLUA271. This document is available at [www.ti.com](http://www.ti.com).

The exposed thermal pad dimensions for this package are shown in the following illustration.



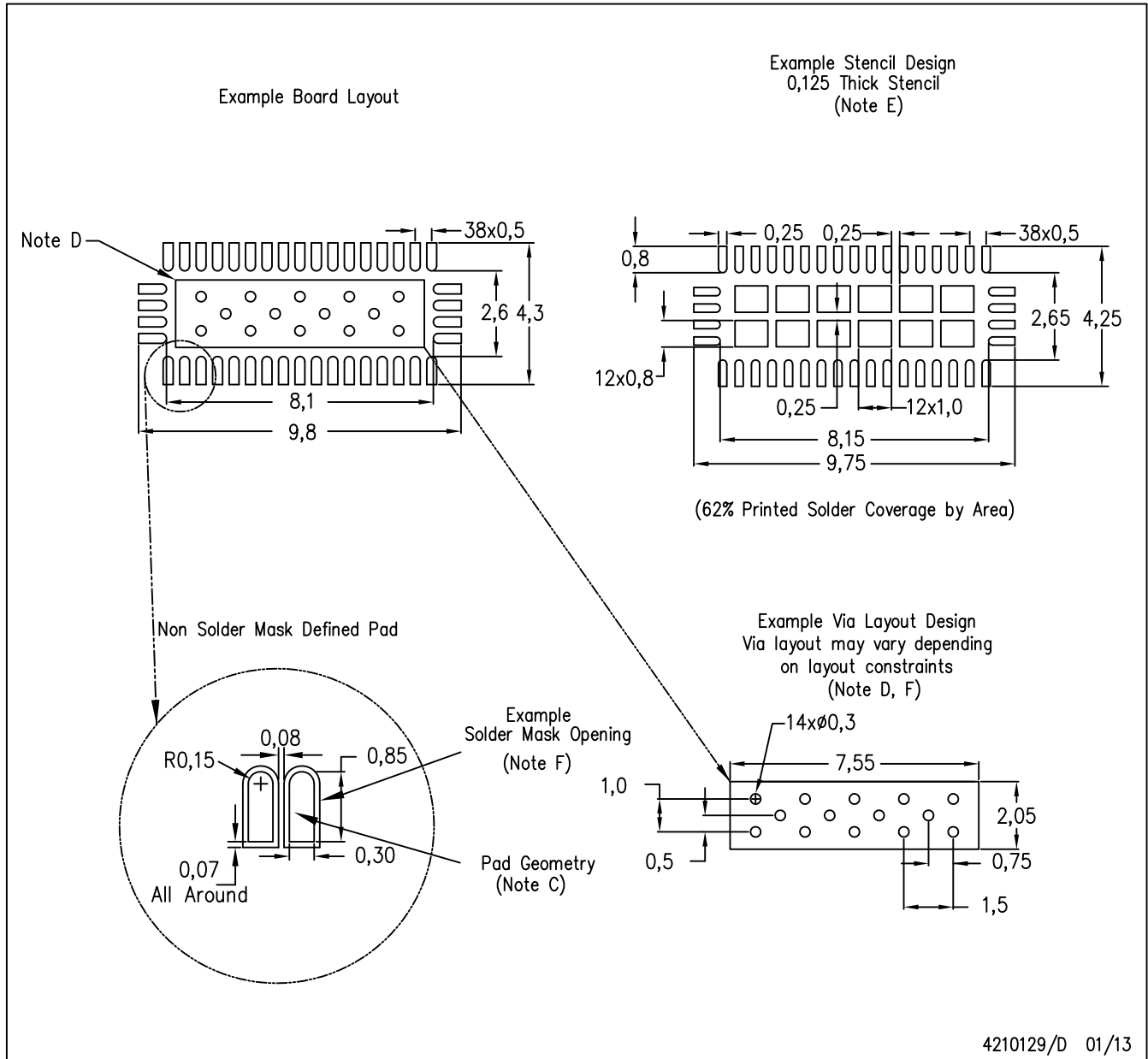
Exposed Thermal Pad Dimensions

4208352/E 01/13

NOTE: All linear dimensions are in millimeters

RUA (R-PWQFN-N42)

PLASTIC QUAD FLATPACK NO-LEAD



- NOTES:
- A. All linear dimensions are in millimeters.
  - B. This drawing is subject to change without notice.
  - C. Publication IPC-7351 is recommended for alternate designs.
  - D. This package is designed to be soldered to a thermal pad on the board. Refer to Application Note, Quad Flat-Pack Packages, Texas Instruments Literature No. SLUA271, and also the Product Data Sheets for specific thermal information, via requirements, and recommended board layout. These documents are available at [www.ti.com](http://www.ti.com) <<http://www.ti.com>>.
  - E. Laser cutting apertures with trapezoidal walls and also rounding corners will offer better paste release. Customers should contact their board assembly site for stencil design recommendations. Refer to IPC 7525 for stencil design considerations.
  - F. Customers should contact their board fabrication site for recommended solder mask tolerances and via tenting recommendations for vias placed in the thermal pad.

## IMPORTANT NOTICE

Texas Instruments Incorporated (TI) reserves the right to make corrections, enhancements, improvements and other changes to its semiconductor products and services per JESD46, latest issue, and to discontinue any product or service per JESD48, latest issue. Buyers should obtain the latest relevant information before placing orders and should verify that such information is current and complete.

TI's published terms of sale for semiconductor products (<http://www.ti.com/sc/docs/stdterms.htm>) apply to the sale of packaged integrated circuit products that TI has qualified and released to market. Additional terms may apply to the use or sale of other types of TI products and services.

Reproduction of significant portions of TI information in TI data sheets is permissible only if reproduction is without alteration and is accompanied by all associated warranties, conditions, limitations, and notices. TI is not responsible or liable for such reproduced documentation. Information of third parties may be subject to additional restrictions. Resale of TI products or services with statements different from or beyond the parameters stated by TI for that product or service voids all express and any implied warranties for the associated TI product or service and is an unfair and deceptive business practice. TI is not responsible or liable for any such statements.

Buyers and others who are developing systems that incorporate TI products (collectively, "Designers") understand and agree that Designers remain responsible for using their independent analysis, evaluation and judgment in designing their applications and that Designers have full and exclusive responsibility to assure the safety of Designers' applications and compliance of their applications (and of all TI products used in or for Designers' applications) with all applicable regulations, laws and other applicable requirements. Designer represents that, with respect to their applications, Designer has all the necessary expertise to create and implement safeguards that (1) anticipate dangerous consequences of failures, (2) monitor failures and their consequences, and (3) lessen the likelihood of failures that might cause harm and take appropriate actions. Designer agrees that prior to using or distributing any applications that include TI products, Designer will thoroughly test such applications and the functionality of such TI products as used in such applications.

TI's provision of technical, application or other design advice, quality characterization, reliability data or other services or information, including, but not limited to, reference designs and materials relating to evaluation modules, (collectively, "TI Resources") are intended to assist designers who are developing applications that incorporate TI products; by downloading, accessing or using TI Resources in any way, Designer (individually or, if Designer is acting on behalf of a company, Designer's company) agrees to use any particular TI Resource solely for this purpose and subject to the terms of this Notice.

TI's provision of TI Resources does not expand or otherwise alter TI's applicable published warranties or warranty disclaimers for TI products, and no additional obligations or liabilities arise from TI providing such TI Resources. TI reserves the right to make corrections, enhancements, improvements and other changes to its TI Resources. TI has not conducted any testing other than that specifically described in the published documentation for a particular TI Resource.

Designer is authorized to use, copy and modify any individual TI Resource only in connection with the development of applications that include the TI product(s) identified in such TI Resource. NO OTHER LICENSE, EXPRESS OR IMPLIED, BY ESTOPPEL OR OTHERWISE TO ANY OTHER TI INTELLECTUAL PROPERTY RIGHT, AND NO LICENSE TO ANY TECHNOLOGY OR INTELLECTUAL PROPERTY RIGHT OF TI OR ANY THIRD PARTY IS GRANTED HEREIN, including but not limited to any patent right, copyright, mask work right, or other intellectual property right relating to any combination, machine, or process in which TI products or services are used. Information regarding or referencing third-party products or services does not constitute a license to use such products or services, or a warranty or endorsement thereof. Use of TI Resources may require a license from a third party under the patents or other intellectual property of the third party, or a license from TI under the patents or other intellectual property of TI.

TI RESOURCES ARE PROVIDED "AS IS" AND WITH ALL FAULTS. TI DISCLAIMS ALL OTHER WARRANTIES OR REPRESENTATIONS, EXPRESS OR IMPLIED, REGARDING RESOURCES OR USE THEREOF, INCLUDING BUT NOT LIMITED TO ACCURACY OR COMPLETENESS, TITLE, ANY EPIDEMIC FAILURE WARRANTY AND ANY IMPLIED WARRANTIES OF MERCHANTABILITY, FITNESS FOR A PARTICULAR PURPOSE, AND NON-INFRINGEMENT OF ANY THIRD PARTY INTELLECTUAL PROPERTY RIGHTS. TI SHALL NOT BE LIABLE FOR AND SHALL NOT DEFEND OR INDEMNIFY DESIGNER AGAINST ANY CLAIM, INCLUDING BUT NOT LIMITED TO ANY INFRINGEMENT CLAIM THAT RELATES TO OR IS BASED ON ANY COMBINATION OF PRODUCTS EVEN IF DESCRIBED IN TI RESOURCES OR OTHERWISE. IN NO EVENT SHALL TI BE LIABLE FOR ANY ACTUAL, DIRECT, SPECIAL, COLLATERAL, INDIRECT, PUNITIVE, INCIDENTAL, CONSEQUENTIAL OR EXEMPLARY DAMAGES IN CONNECTION WITH OR ARISING OUT OF TI RESOURCES OR USE THEREOF, AND REGARDLESS OF WHETHER TI HAS BEEN ADVISED OF THE POSSIBILITY OF SUCH DAMAGES.

Unless TI has explicitly designated an individual product as meeting the requirements of a particular industry standard (e.g., ISO/TS 16949 and ISO 26262), TI is not responsible for any failure to meet such industry standard requirements.

Where TI specifically promotes products as facilitating functional safety or as compliant with industry functional safety standards, such products are intended to help enable customers to design and create their own applications that meet applicable functional safety standards and requirements. Using products in an application does not by itself establish any safety features in the application. Designers must ensure compliance with safety-related requirements and standards applicable to their applications. Designer may not use any TI products in life-critical medical equipment unless authorized officers of the parties have executed a special contract specifically governing such use. Life-critical medical equipment is medical equipment where failure of such equipment would cause serious bodily injury or death (e.g., life support, pacemakers, defibrillators, heart pumps, neurostimulators, and implantables). Such equipment includes, without limitation, all medical devices identified by the U.S. Food and Drug Administration as Class III devices and equivalent classifications outside the U.S.

TI may expressly designate certain products as completing a particular qualification (e.g., Q100, Military Grade, or Enhanced Product). Designers agree that it has the necessary expertise to select the product with the appropriate qualification designation for their applications and that proper product selection is at Designers' own risk. Designers are solely responsible for compliance with all legal and regulatory requirements in connection with such selection.

Designer will fully indemnify TI and its representatives against any damages, costs, losses, and/or liabilities arising out of Designer's non-compliance with the terms and provisions of this Notice.

## Looking for pricing, stock, or lifecycle information?

Click below to explore more details on WIN SOURCE:

 [View SN65LVPE504RUAR on WIN SOURCE](#)

 [Texas Instruments](#) Information

## Optimize Your Supply Chain with WIN SOURCE Solutions

-  Global Sourcing Solution
-  Obsolete Management
-  Cost Control Management
-  Shortage Management
-  Alternative Solution
-  Excess Inventory Management