



**THE DATASHEET OF  
AK8442AVQ**



# AK8442AVQ

NRND

16 bit 35 MSPS/ch 3ch video ADC & CCD interface with internal TG

## Description

The AK8442A comprises an A/D converter consisting of a 3.3 V 16 bit 3-channel 35 MSPS/channel CMOS with integrated CDS circuitry and TG for linear CCD drive. It is optimized for scanner and copier applications.

## Applications

- linear CCD drive

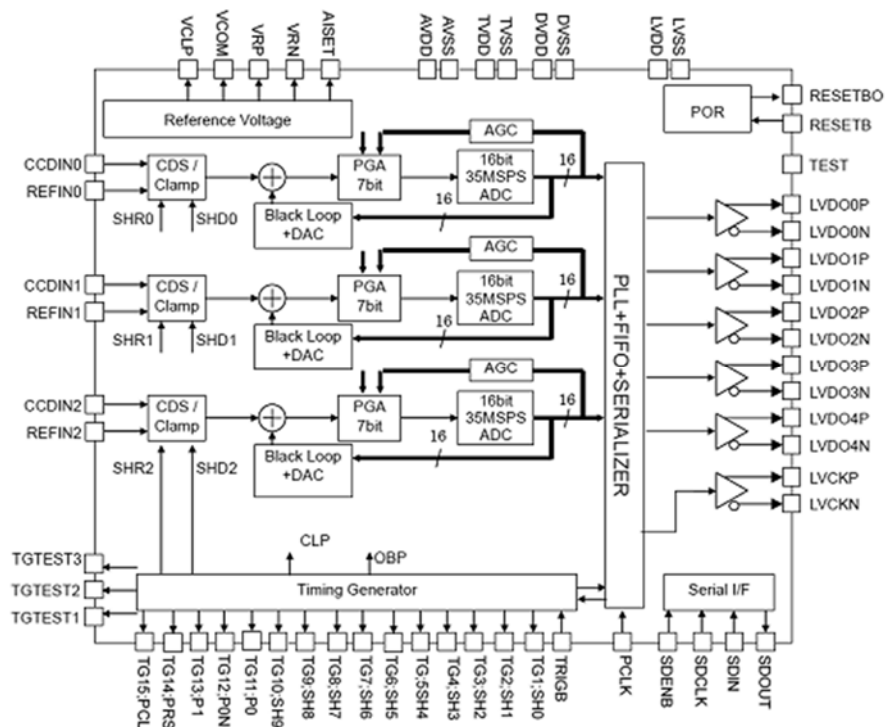
## Specifications

<b>Part Number</b>	AK8442AVQ
<b>Number of Input Channels</b>	3
<b>Maximum Conversion Rate [MSPS/Ch]</b>	35
<b>ADC Resolution [bit]</b>	16
<b>Sensor Type</b>	CCD
<b>Power Supply Voltage (MIN.) [V]</b>	3.0
<b>Power Supply Voltage (TYP.) [V]</b>	3.3
<b>Power Supply Voltage (MAX.) [V]</b>	3.6
<b>Output Type</b>	LVDS
<b>Other</b>	
<b>Operating Temperature [°C]</b>	0 to 70
<b>Device Package</b>	LQFP
<b>Number of Pins</b>	80

# Product Information

<b>Part Status</b>	NRND
<b>Pb Free</b>	Yes
<b>Halogen Free</b>	No
<b>MSL</b>	MSL2
<b>Packaging</b>	TRAY
<b>JEDEC Standard Packaging</b>	Compliant
<b>Minimum Order Quantity [pcs.]</b>	1190
<b>Recommended Order Quantity 1 [pcs.]</b>	4760
<b>Recommended Order Quantity 2 [pcs.]</b>	2380
<b>Standard Packing Quantity [pcs.]</b>	0
<b>Replacement P/N</b>	

# Block Diagram



## Looking for pricing, stock, or lifecycle information?

Click below to explore more details on WIN SOURCE:

- ⊖ [View AK8442AVQ on WIN SOURCE](#)
- ⊖ [Asahi Kasei Microsystems Information](#)

## Optimize Your Supply Chain with WIN SOURCE Solutions

- ✓ Global Sourcing Solution
- ✓ Obsolete Management
- ✓ Cost Control Management
- ✓ Shortage Management
- ✓ Alternative Solution
- ✓ Excess Inventory Management