



**THE DATASHEET OF  
TPS715A33DRBTG4**



# TPS715A

## 24-V High Input Voltage, Micropower, 80-mA LDO Voltage Regulator

### 1 Features

- 24-V Maximum Input Voltage
- Low 3.2- $\mu$ A Quiescent Current at 80 mA
- Stable With Any Capacitor ( $\geq 0.47 \mu\text{F}$ )
- 80-mA Specified Current
- Available in Fixed and Adjustable (1.2 V to 15 V) Versions
- Specified Current Limit
- 3-mm  $\times$  3-mm and 2-mm  $\times$  2-mm SON Packages
- $-40^{\circ}\text{C}$  to  $125^{\circ}\text{C}$  Specified Junction Temperature Range
- For MSP430-Specific Output Voltages See [TPS715xx](#)

### 2 Applications

- Ultralow Power Microcontrollers
- Industrial and Automotive Applications
- Video Surveillance and Security Systems
- Portable, Battery-Powered Equipment
- Medical Imaging

### 3 Description

The TPS715A low-dropout (LDO) voltage regulators offer the benefits of high input voltage, low-dropout voltage, low-power operation, and miniaturized packaging. The devices operate over an input range of 2.5 V to 24 V and are stable with any capacitor ( $\geq 0.47 \mu\text{F}$ ). The high maximum input voltage combined with excellent power dissipation capability makes this device particularly well-suited to industrial and automotive applications.

A PMOS pass element functions as a low-value resistor. The low dropout voltage, typically 670 mV at 80 mA of load current, is directly proportional to the load current. The low quiescent current (3.2  $\mu\text{A}$  typically) is nearly constant over the entire range of output load current (0 mA to 80 mA).

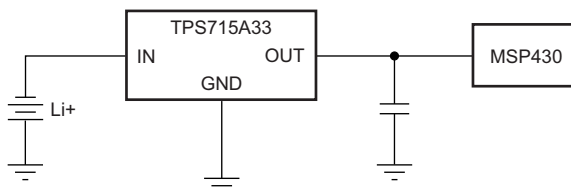
The TPS715A is available in a 3-mm  $\times$  3-mm package ideal for high power dissipation and a small 2-mm  $\times$  2-mm package ideal for handheld and ultra-portable applications. The 3-mm  $\times$  3-mm package is also available as a non-magnetic package for medical imaging applications.

#### Device Information<sup>(1)</sup>

| PART NUMBER | PACKAGE      | BODY SIZE (NOM)          |
|-------------|--------------|--------------------------|
| TPS715A     | SON (8), DRB | 3.00 mm $\times$ 3.00 mm |
|             | SON (6), DRV | 2.00 mm $\times$ 2.00 mm |

(1) For all available packages, see the orderable addendum at the end of the data sheet.

#### Typical Application Schematic



## Table of Contents

|  |          |  |           |
|--|----------|--|-----------|
| <b>1 Features</b> .....                        | <b>1</b> | <b>8 Application and Implementation</b> .....                    | <b>10</b> |
| <b>2 Applications</b> .....                    | <b>1</b> | 8.1 Application Information.....                                 | 10        |
| <b>3 Description</b> .....                     | <b>1</b> | 8.2 Typical Applications .....                                   | 10        |
| <b>4 Revision History</b> .....                | <b>2</b> | 8.3 Do's and Don'ts.....   | 12        |
| <b>5 Pin Configuration and Functions</b> ..... | <b>3</b> | <b>9 Power Supply Recommendations</b> .....                      | <b>12</b> |
| <b>6 Specifications</b> .....                  | <b>3</b> | <b>10 Layout</b> .....   | <b>13</b> |
| 6.1 Absolute Maximum Ratings .....             | 3        | 10.1 Layout Guidelines .....                                     | 13        |
| 6.2 ESD Ratings.....                           | 3        | 10.2 Layout Example .....  | 13        |
| 6.3 Recommended Operating Conditions.....      | 3        | 10.3 Power Dissipation .....                                     | 13        |
| 6.4 Thermal Information .....                  | 4        | <b>11 Device and Documentation Support</b> .....                 | <b>14</b> |
| 6.5 Electrical Characteristics.....            | 4        | 11.1 Device Support.....   | 14        |
| 6.6 Typical Characteristics.....               | 5        | 11.2 Documentation Support .....                                 | 14        |
| <b>7 Detailed Description</b> .....            | <b>8</b> | 11.3 Community Resources.....                                    | 14        |
| 7.1 Overview .....                             | 8        | 11.4 Trademarks .....  | 14        |
| 7.2 Functional Block Diagrams .....            | 8        | 11.5 Electrostatic Discharge Caution.....                        | 15        |
| 7.3 Feature Description.....                   | 9        | 11.6 Glossary .....  | 15        |
| 7.4 Device Functional Modes.....               | 9        | <b>12 Mechanical, Packaging, and Orderable Information</b> ..... | <b>15</b> |

## 4 Revision History

NOTE: Page numbers for previous revisions may differ from page numbers in the current version.

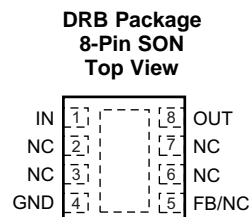
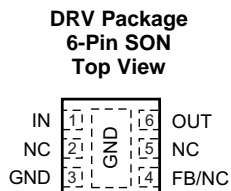
| Changes from Revision G (May 2015) to Revision H  | Page |
|---|------|
| • Changed third <i>Applications</i> bullet .....  | 1    |
| • Added package designators to Device Information table for clarity .....                       | 1    |
| • Corrected pin numbers in <i>Pin Functions</i> table to align with pin out configurations..... | 3    |
| • Added parameter name to $V_{IN}$ row of <i>Absolute Maximum Ratings</i> table .....           | 3    |
| • Deleted <i>Dissipation Ratings</i> table .....  | 4    |
| • Added last three items to <i>Related Documentation</i> .....                                  | 14   |

| Changes from Revision F (October 2012) to Revision G   | Page |
|--|------|
| • Added <i>ESD Ratings</i> table, <i>Feature Description</i> section, <i>Device Functional Modes</i> , <i>Application and Implementation</i> section, <i>Power Supply Recommendations</i> section, <i>Layout</i> section, <i>Device and Documentation Support</i> section, and <i>Mechanical, Packaging, and Orderable Information</i> section ..... | 1    |

| Changes from Revision E (June 2011) to Revision F | Page |
|---|------|
| • Updated Figure 15.....                          | 9    |

| Changes from Revision D (May, 2007) to Revision E         | Page |
|---|------|
| • Added last <i>Applications</i> bullet.....              | 1    |
| • Added last sentence to <i>Description</i> section ..... | 1    |

## 5 Pin Configuration and Functions



### Pin Functions

| NAME | PIN              |            |           |        | I/O | DESCRIPTION   |
|------|------------------|------------|-----------|--------|-----|---|
|      | 8-PIN SON        |            | 6-PIN SON |        |     |   |
|      | FIXED            | ADJ.       | FIXED     | ADJ.   |     |   |
| FB   | —                | 5          | —         | 4      | I   | Adjustable version. This pin is used to set the output voltage.                                   |
| GND  | 4, Pad           | 4, Pad     | 3, Pad    | 3, Pad | —   | Ground  |
| IN   | 1                | 1          | 1         | 1      | I   | Unregulated input voltage   |
| NC   | 2, 3, 5,<br>6, 7 | 2, 3, 6, 7 | 2, 4, 5   | 2, 5   | —   | No connection. Can be left open or tied to ground for improved thermal performance.               |
| OUT  | 8                | 8          | 6         | 6      | O   | Regulated output voltage, any output capacitor $\geq 0.47 \mu\text{F}$ can be used for stability. |

## 6 Specifications

### 6.1 Absolute Maximum Ratings

over operating temperature range (unless otherwise noted)<sup>(1)</sup>

|                                       | MIN                                     | MAX | UNIT |
|---------------------------------------|---|-----|------|
| Input supply voltage, $V_{\text{IN}}$ | −0.3                                    | 24  | V    |
| Peak output current                   | Internally limited                      |     |      |
| Continuous total power dissipation    | See <a href="#">Thermal Information</a> |     |      |
| Junction temperature, $T_{\text{J}}$  | −40                                     | 125 | °C   |
| Storage temperature, $T_{\text{stg}}$ | −65                                     | 150 | °C   |

- (1) Stresses beyond those listed under *absolute maximum ratings* may cause permanent damage to the device. These are stress ratings only, and functional operation of the device at these or any other conditions beyond those indicated under *recommended operating conditions* is not implied. Exposure to absolute-maximum-rated conditions for extended periods may affect device reliability.

### 6.2 ESD Ratings

|                    |                         | VALUE  | UNIT  |
|--------------------|-------------------------|--|-------|
| $V_{\text{(ESD)}}$ | Electrostatic discharge | Human body model (HBM), per ANSI/ESDA/JEDEC JS-001 <sup>(1)</sup>              | ±2000 |
|                    |                         | Charged device model (CDM), per JEDEC specification JESD22-C101 <sup>(2)</sup> | ±500  |

- (1) JEDEC document JEP155 states that 500-V HBM allows safe manufacturing with a standard ESD control process.  
(2) JEDEC document JEP157 states that 250-V CDM allows safe manufacturing with a standard ESD control process.

### 6.3 Recommended Operating Conditions

over operating free-air temperature range (unless otherwise noted)

|                  |                      | MIN  | NOM   | MAX | UNIT          |
|------------------|----------------------|------|-------|-----|---------------|
| $V_{\text{IN}}$  | Input supply voltage | 2.5  |       | 24  | V             |
| $I_{\text{OUT}}$ | Output current       | 0    |       | 80  | mA            |
| $C_{\text{IN}}$  | Input capacitor      | 0    | 0.047 |     | $\mu\text{F}$ |
| $C_{\text{OUT}}$ | Output capacitor     | 0.47 | 1     |     | $\mu\text{F}$ |

## 6.4 Thermal Information

| THERMAL METRIC <sup>(1)</sup> |  | TPS715A   |           | UNIT |
|-------------------------------|--|-----------|-----------|------|
|                               |  | DRV (SON) | DRB (SON) |      |
|                               |  | 6 PINS    | 8 PINS    |      |
| R <sub>θJA</sub>              | Junction-to-ambient thermal resistance       | 79.5      | 69        | °C/W |
| R <sub>θJC(top)</sub>         | Junction-to-case (top) thermal resistance    | 110.5     | 76.8      | °C/W |
| R <sub>θJB</sub>              | Junction-to-board thermal resistance         | 48.9      | 44.6      | °C/W |
| ψ <sub>JT</sub>               | Junction-to-top characterization parameter   | 5.2       | 8.1       | °C/W |
| ψ <sub>JB</sub>               | Junction-to-board characterization parameter | 49.3      | 44.8      | °C/W |
| R <sub>θJC(bot)</sub>         | Junction-to-case (bottom) thermal resistance | 18.3      | 27.5      | °C/W |

(1) For more information about traditional and new thermal metrics, see the *Semiconductor and IC Package Thermal Metrics* application report, [SPRA953](#).

## 6.5 Electrical Characteristics

Over operating junction temperature range ( $T_J = -40^{\circ}\text{C}$  to  $125^{\circ}\text{C}$ ),  $V_{IN} = V_{OUT(NOM)} + 1\text{ V}$ ,  $I_{OUT} = 1\text{ mA}$ ,  $C_{OUT} = 1\text{ }\mu\text{F}$ , unless otherwise noted. The TPS715A01 device is tested with  $V_{OUT} = 2.8\text{ V}$ . Typical values are at  $T_J = 25^{\circ}\text{C}$ .

| PARAMETER  |                                      | TEST CONDITIONS  | MIN                             | TYP                   | MAX                             | UNIT  |
|--|--------------------------------------|--|---------------------------------|-----------------------|---------------------------------|-------|
| Input voltage <sup>(1)</sup>                                       | V <sub>IN</sub>                      | I <sub>OUT</sub> = 10 mA   | 2.5                             |                       | 24                              | V     |
|  |                                      | I <sub>OUT</sub> = 80 mA   | 3                               |                       | 24                              |       |
| Voltage range (TPS715A01)  | V <sub>OUT</sub>                     |  | 1.2                             |                       | 15                              | V     |
| Output voltage accuracy <sup>(1)</sup>                             | TPS715A01                            | V <sub>OUT</sub> + 1 V ≤ V <sub>IN</sub> ≤ 24 V,<br>1.2 V ≤ V <sub>OUT</sub> ≤ 15V, 0 ≤ I <sub>OUT</sub> ≤ 80 mA | 0.96 ×<br>V <sub>OUT(nom)</sub> | V <sub>OUT(nom)</sub> | 1.04 ×<br>V <sub>OUT(nom)</sub> | V     |
|  | TPS715A33                            | 4.3 V < V <sub>IN</sub> < 24 V, 0 ≤ I <sub>OUT</sub> ≤ 80 mA   | 3.135                           | 3.3                   | 3.465                           |       |
| Output voltage line regulation <sup>(1)</sup>                      | ΔV <sub>OUT</sub> /ΔV <sub>IN</sub>  | V <sub>OUT</sub> + 1 V < V <sub>IN</sub> ≤ 24 V  |                                 | 20                    | 60                              | mV    |
| Load regulation  | ΔV <sub>OUT</sub> /ΔI <sub>OUT</sub> | I <sub>OUT</sub> = 100 μA to 80 mA   |                                 | 35                    |                                 | mV    |
| Dropout voltage<br>V <sub>IN</sub> = V <sub>OUT(NOM)</sub> – 0.1 V | V <sub>DO</sub>                      | I <sub>OUT</sub> = 80 mA   |                                 | 670                   | 1120                            | mV    |
| Output current limit   | I <sub>CL</sub>                      | V <sub>OUT</sub> = 0 V   | 160                             |                       | 1100                            | mA    |
| Ground pin current   | I <sub>GND</sub>                     | T <sub>J</sub> = –40°C to 85°C, 0 mA ≤ I <sub>OUT</sub> ≤ 80 mA  |                                 | 3.2                   | 4.2                             | μA    |
|  |                                      | 0 mA ≤ I <sub>OUT</sub> ≤ 80 mA  |                                 | 3.2                   | 4.8                             |       |
|  |                                      | V <sub>IN</sub> = 24 V, 0 mA ≤ I <sub>OUT</sub> ≤ 80 mA  |                                 |                       | 5.8                             |       |
| Power-supply ripple rejection                                      | PSRR                                 | f = 100 kHz, C <sub>OUT</sub> = 10 μF  |                                 | 60                    |                                 | dB    |
| Output noise voltage   | V <sub>IN</sub>                      | BW = 200 Hz to 100 kHz,<br>C <sub>OUT</sub> = 10 μF, I <sub>OUT</sub> = 50 mA                                    |                                 | 575                   |                                 | μVrms |

(1) Minimum V<sub>IN</sub> = V<sub>OUT</sub> + V<sub>DO</sub>, or the value shown for input voltage, whichever is greater.

## 6.6 Typical Characteristics

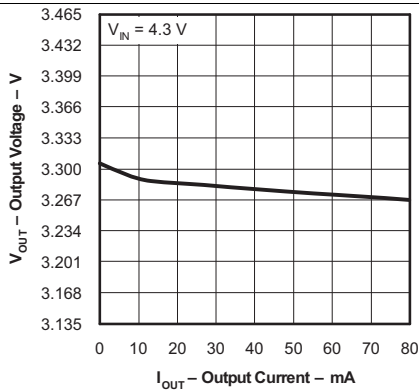


Figure 1. TPS715A33 Output Voltage vs Output Current

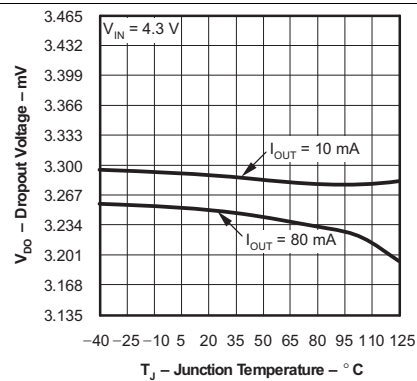


Figure 2. TPS715A33 Dropout Voltage vs Junction Temperature

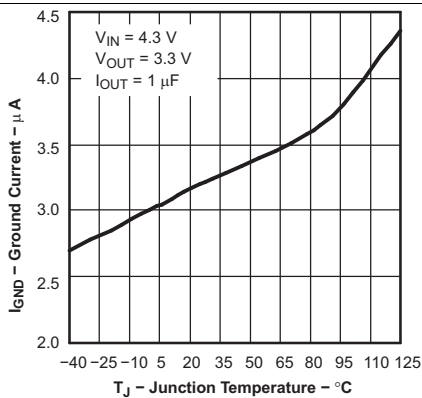


Figure 3. Ground Current vs Junction Temperature

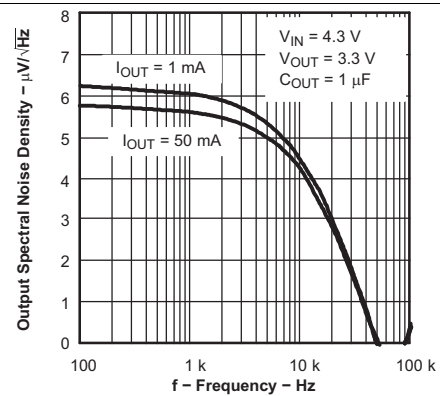


Figure 4. Output Spectral Noise Density vs Frequency

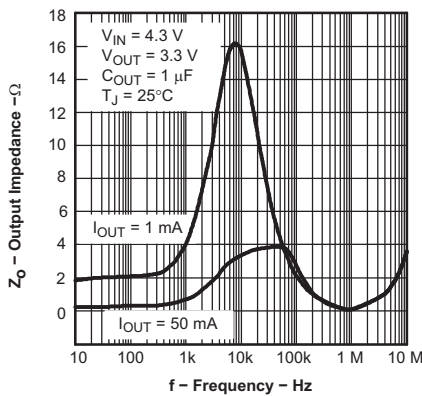


Figure 5. Output Impedance vs Frequency

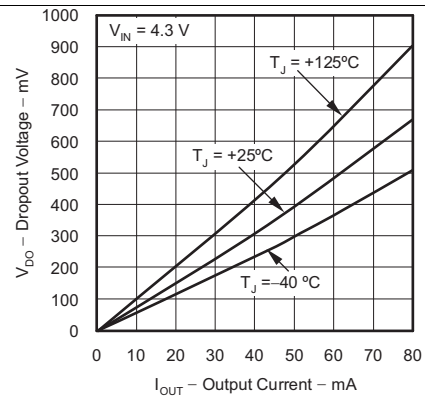


Figure 6. TPS715A33 Dropout Voltage vs Output Current

Typical Characteristics (continued)

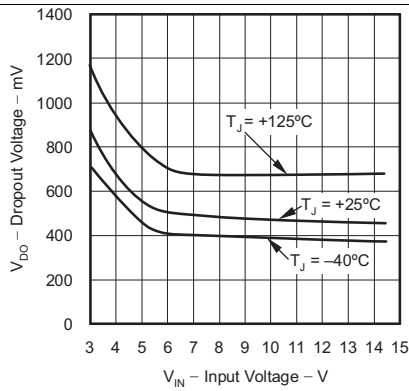


Figure 7. TPS715A01 Dropout Voltage vs Input Voltage

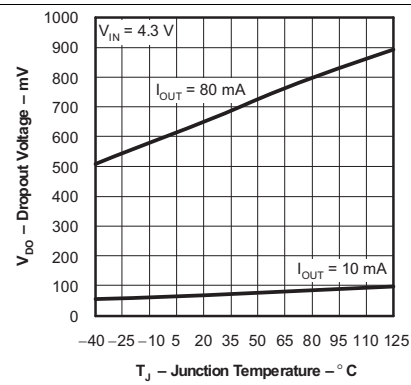


Figure 8. TPS715A33 Dropout Voltage vs Junction Temperature

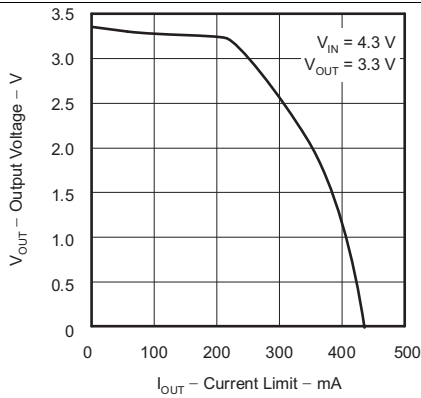


Figure 9. Output Voltage vs Current Limit

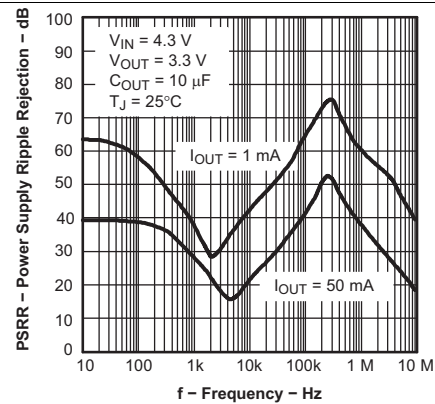


Figure 10. Power-Supply Ripple Rejection vs Frequency

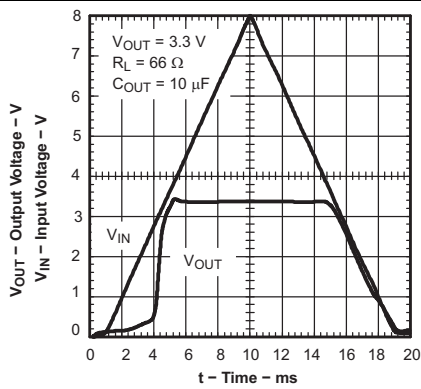


Figure 11. Power-Up and Power-Down

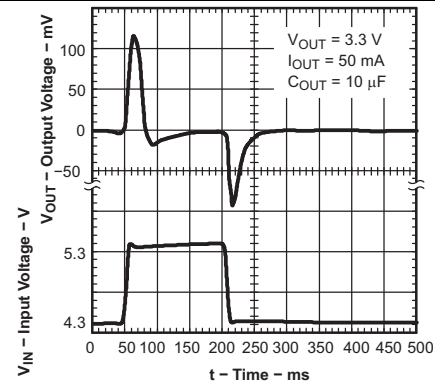


Figure 12. Line Transient Response

Typical Characteristics (continued)

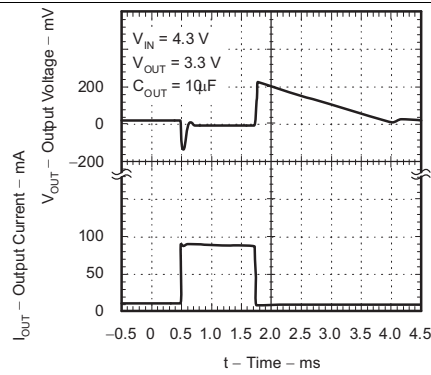


Figure 13. Load Transient Response

## 7 Detailed Description

### 7.1 Overview

The TPS715A family of low dropout regulators consumes only 3.2  $\mu\text{A}$  of current and offers a wide input voltage range and low-dropout voltage in a small package. The devices operate over an input range of 2.5 V to 24 V and are stable with any capacitor greater than or equal to 0.47  $\mu\text{F}$ . The low quiescent current makes the TPS715A ideal for powering battery management devices. Specifically, because the TPS715A is enabled as soon as the applied voltage reaches the minimum input voltage, the output is quickly available to power continuously-operating, battery-charging devices.

### 7.2 Functional Block Diagrams

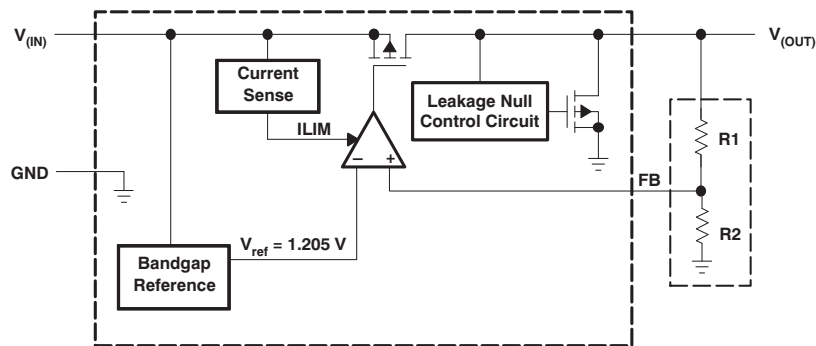


Figure 14. Functional Block Diagram—Adjustable Version

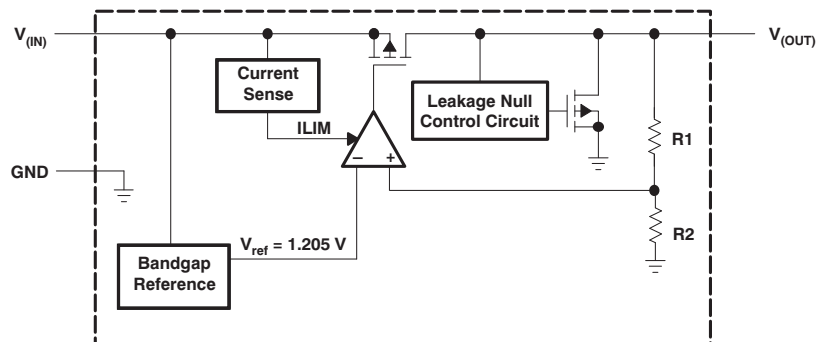


Figure 15. Functional Block Diagram—Fixed Version

## 7.3 Feature Description

### 7.3.1 Wide Supply Range

This device has an operational input supply range of 2.5 V to 24 V, allowing for a wide range of applications. This wide supply range is ideal for applications that have either large transients or high dc voltage supplies.

### 7.3.2 Low Supply Current

This device only requires 3.2  $\mu\text{A}$  (typical) of supply current and has a maximum current consumption of 5.8  $\mu\text{A}$  at  $-40^{\circ}\text{C}$  to  $125^{\circ}\text{C}$ .

### 7.3.3 Stable With Any Capacitor $\geq 0.47 \mu\text{F}$

Any capacitor, including both ceramic and tantalum, greater than or equal to 0.47  $\mu\text{F}$  properly stabilizes this loop.

### 7.3.4 Internal Current Limit

The internal current limit circuit is used to protect the LDO against high-load current faults or shorting events. The LDO is not designed to operate in a steady-state current limit. During a current limit event, the LDO sources constant current. Therefore, the output voltage falls when load impedance decreases.

---

#### NOTE

If a current limit occurs and the resulting output voltage is low, excessive power is dissipated across the LDO, resulting in possible damage to the device.

---

### 7.3.5 Reverse Current

The TPS715A device PMOS-pass transistor has a built-in back diode that conducts current when the input voltage drops below the output voltage (for example, during power down). Current is conducted from the output to the input and is not internally limited. If extended reverse voltage operation is anticipated, external limiting may be required.

## 7.4 Device Functional Modes

[Table 1](#) provides a quick comparison between the normal, dropout, and disabled modes of operation.

**Table 1. Device Functional Mode Comparison**

| OPERATING MODE | PARAMETER  |                                  |
|----------------|--|----------------------------------|
|                | $V_{\text{IN}}$  | $I_{\text{OUT}}$                 |
| Normal         | $V_{\text{IN}} > V_{\text{OUT}(\text{nom})} + V_{\text{DO}}$ | $I_{\text{OUT}} < I_{\text{CL}}$ |
| Dropout        | $V_{\text{IN}} < V_{\text{OUT}(\text{nom})} + V_{\text{DO}}$ | $I_{\text{OUT}} < I_{\text{CL}}$ |
| Disabled       | —  | —                                |

### 7.4.1 Normal Operation

The device regulates to the nominal output voltage under the following conditions:

- The input voltage is greater than the nominal output voltage plus the dropout voltage ( $V_{\text{OUT}(\text{nom})} + V_{\text{DO}}$ ).
- The output current is less than the current limit ( $I_{\text{OUT}} < I_{\text{CL}}$ ).
- The device junction temperature is less than  $125^{\circ}\text{C}$ .

### 7.4.2 Dropout Operation

If the input voltage is lower than the nominal output voltage plus the specified dropout voltage, but all other conditions are met for normal operation, the device operates in dropout mode. In this mode, the output voltage tracks the input voltage. During this mode, the transient performance of the device becomes significantly degraded because the pass device is in the linear region and no longer controls the current through the LDO. Line or load transients in dropout can result in large output-voltage deviations.

## 8 Application and Implementation

### NOTE

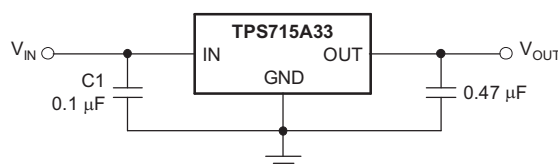
Information in the following applications sections is not part of the TI component specification, and TI does not warrant its accuracy or completeness. TI's customers are responsible for determining suitability of components for their purposes. Customers should validate and test their design implementation to confirm system functionality.

### 8.1 Application Information

The TPS715A family of LDO regulators is optimized for ultralow-power applications such as the [MSP430](#) microcontroller. The ultralow-supply current of the TPS715A device maximizes efficiency at light loads, and its high input voltage range makes the device suitable for supplies such as unconditioned solar panels.

### 8.2 Typical Applications

#### 8.2.1 Typical Application (Fixed-Voltage Version)



**Figure 16. Typical Application Circuit (Fixed-Voltage Version)**

#### 8.2.1.1 Design Requirements

##### 8.2.1.1.1 Power the MSP430 Microcontroller

Several versions of the TPS715A are ideal for powering the [MSP430 microcontroller](#). [Table 2](#) shows potential applications of some voltage versions.

**Table 2. Typical MSP430 Applications**

| DEVICE     | V <sub>OUT</sub> (TYP) | APPLICATION  |
|------------|------------------------|--|
| TPS715A19  | 1.9 V                  | V <sub>OUT(min)</sub> > 1.8 V required by many MSP430s. Allows lowest power consumption operation. |
| TPS715A23  | 2.3 V                  | V <sub>OUT(min)</sub> > 2.2 V required by some MSP430s flash operation.                            |
| TPS715A30  | 3 V                    | V <sub>OUT(min)</sub> > 2.7 V required by some MSP430s flash operation.                            |
| TPS715A345 | 3.45 V                 | V <sub>OUT(max)</sub> < 3.6 V required by some MSP430s. Allows highest speed operation.            |

The TPS715A family of devices offers many output voltage versions to allow the supply voltage to be optimized for the MSP430, thereby minimizing the supply current consumed by the MSP430.

#### 8.2.1.2 Detailed Design Procedure

##### 8.2.1.2.1 External Capacitor Requirements

Although not required, a 0.047-μF or larger input bypass capacitor, connected between IN and GND and located close to the device, is recommended to improve transient response and noise rejection of the power supply as a whole. A higher-value input capacitor may be necessary if large, fast-rise-time load transients are anticipated and the device is located several inches from the power source.

The TPS715A device requires an output capacitor connected between OUT and GND to stabilize the internal control loop. Any capacitor (including ceramic and tantalum) greater than or equal to 0.47 μF properly stabilizes this loop. The X7R- or X5R-type capacitors are recommended because these capacitors have a wider temperature specification and lower temperature coefficient, but other types of capacitors can be used.

### 8.2.1.2.2 Dropout Voltage ( $V_{DO}$ )

Generally speaking, the dropout voltage often refers to the voltage difference between the input and output voltage ( $V_{DO} = V_{IN} - V_{OUT}$ ). However, in the *Electrical Characteristics* table,  $V_{DO}$  is defined as the  $V_{IN} - V_{OUT}$  voltage at the rated current, where the pass-FET is fully enhanced in the ohmic region of operation and is characterized by the classic  $R_{DS(on)}$  of the FET.  $V_{DO}$  indirectly specifies a minimum input voltage above the nominal programmed output voltage at which the output voltage is expected to remain within its accuracy boundary. If the input falls below this  $V_{DO}$  limit ( $V_{IN} < V_{OUT} + V_{DO}$ ), then the output voltage decreases to follow the input voltage.

Dropout voltage is always determined by the  $R_{DS(on)}$  of the main pass-FET. Therefore, if the LDO operates below the rated current, then the  $V_{DO}$  for that current scales accordingly.  $R_{DS(on)}$  can be calculated using Equation 1.

$$R_{DS(ON)} = \frac{V_{DO}}{I_{RATED}} \tag{1}$$

### 8.2.1.3 Application Curves

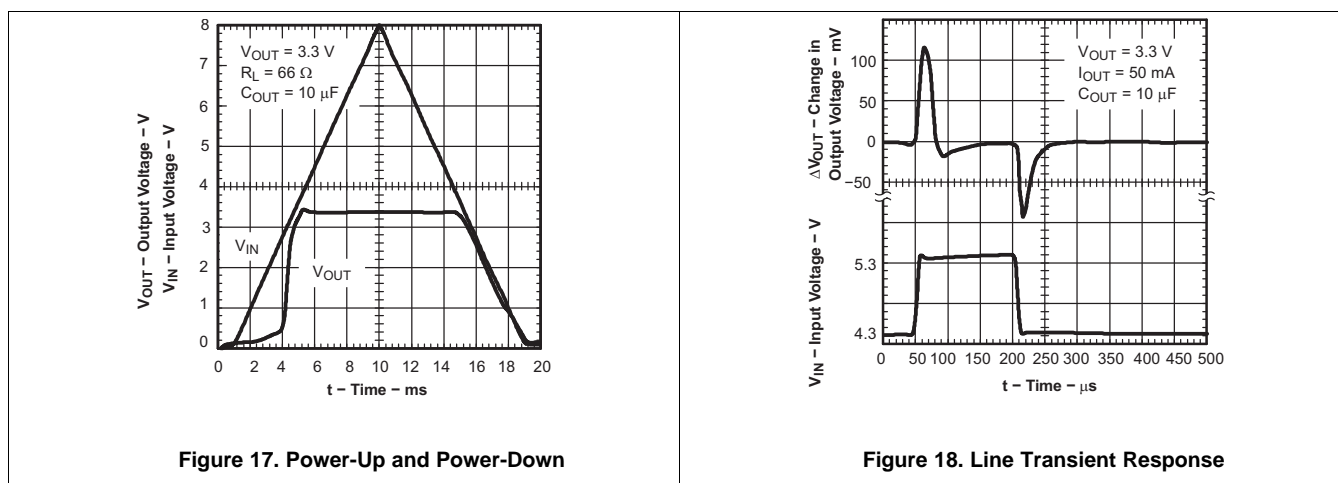


Figure 17. Power-Up and Power-Down

Figure 18. Line Transient Response

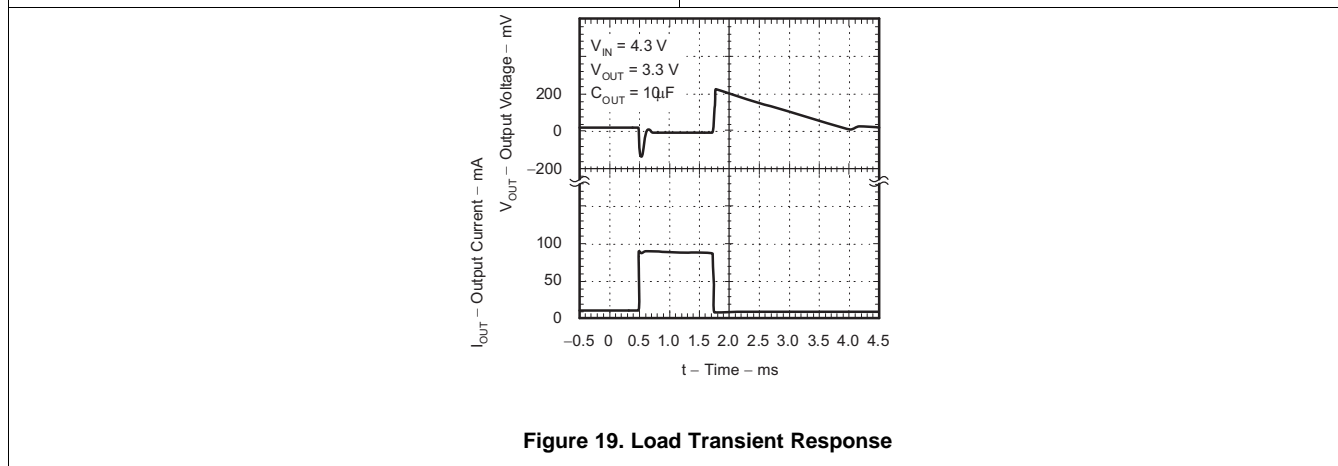


Figure 19. Load Transient Response

## 8.2.2 TPS715A01 Adjustable LDO Regulator Programming

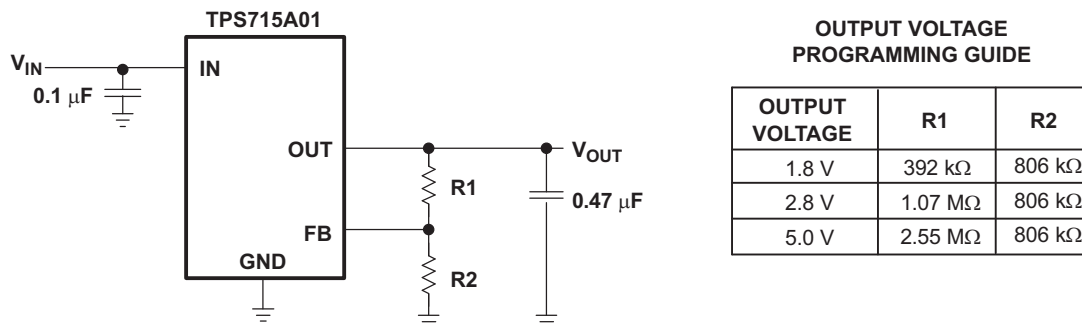


Figure 20. TPS715A01 Adjustable LDO Regulator Programming

### 8.2.2.1 Detailed Design Procedure

#### 8.2.2.1.1 Setting $V_{OUT}$ for the TPS715A01 Adjustable LDO

The TPS715A family of devices contains an adjustable-version, the TPS715A01 device, that sets the output voltage using an external resistor divider as shown in Figure 20. The output voltage operating range is 1.2 V to 15 V, and is calculated using Equation 2.

$$V_{OUT} = V_{REF} \times \left( 1 + \frac{R1}{R2} \right)$$

where

- $V_{REF} = 1.205$  V (typical) (2)

Choose resistors R1 and R2 to allow approximately 1.5- $\mu$ A of current through the resistor divider. Lower value resistors can be used for improved noise performance, but consume more power. Avoid higher resistor values because leakage current into or out of FB across R1, R2 creates an offset voltage that is proportional to  $V_{OUT}$  divided by  $V_{REF}$ . The recommended design procedure is to choose R2 = 1 M $\Omega$  to set the divider current at 1.5  $\mu$ A, and then calculate R1 using Equation 3.

$$R1 = \left( \frac{V_{OUT}}{V_{REF}} - 1 \right) \times 2 \quad (3)$$

Figure 20 shows this configuration.

## 8.3 Do's and Don'ts

Place at least one 0.47- $\mu$ F capacitor as close as possible to the OUT and GND pins of the regulator.

Do not connect the output capacitor to the regulator using a long, thin trace.

Connect an input capacitor of 0.047  $\mu$ F as close as possible to the IN and GND pins of the regulator for best performance.

Do not exceed the absolute maximum ratings.

## 9 Power Supply Recommendations

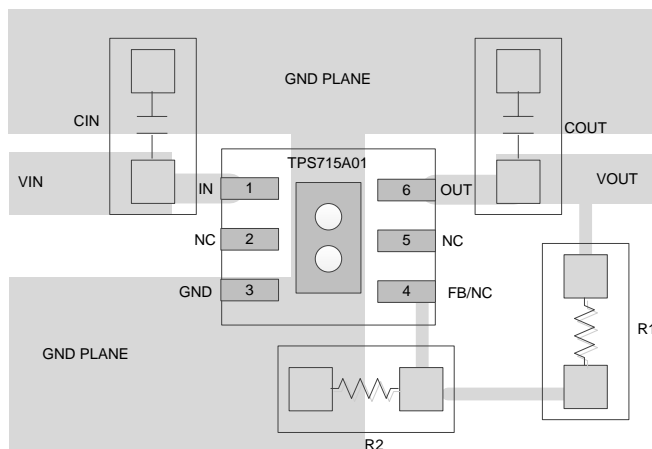
The TPS715A is designed to operate with an input voltage supply range from 2.5 V to 24 V. The input voltage range provides adequate headroom in order for the device to have a regulated output. This input supply must be well regulated. If the input supply is noisy, additional input capacitors with low ESR can help improve the output noise performance.

## 10 Layout

### 10.1 Layout Guidelines

For best overall performance, place all circuit components on the same side of the printed-circuit-board and as near as practical to the respective LDO pin connections. Place ground return connections for the input and output capacitors as close to the GND pin as possible, using wide, component-side, copper planes. TI strongly discourages using vias and long traces to create LDO circuit connections to the input capacitor, output capacitor, or the resistor divider because doing so negatively affects system performance. This grounding and layout scheme minimizes inductive parasitics, and thereby reduces load-current transients, minimizes noise, and increases circuit stability. A ground reference plane is recommended to be embedded either in the PCB itself or located on the bottom side of the PCB opposite the components. This reference plane assures accuracy of the output voltage and shields the LDO from noise.

### 10.2 Layout Example



**Figure 21. Example Layout for the TPS715A01DRV**

### 10.3 Power Dissipation

To ensure reliable operation, worst-case junction temperature must not exceed 125°C. This restriction limits the power dissipation the regulator can handle in any given application. To ensure the junction temperature is within acceptable limits, calculate the maximum allowable dissipation,  $P_{D(max)}$ , and the actual dissipation,  $P_D$ , which must be less than or equal to  $P_{D(max)}$ .

The maximum-power-dissipation limit is determined using [Equation 4](#).

$$P_{D(max)} = \frac{T_{Jmax} - T_A}{R_{\theta JA}}$$

where

- $T_{Jmax}$  is the maximum allowable junction temperature
- $R_{\theta JA}$  is the thermal resistance junction-to-ambient for the package (see the [Thermal Information](#) table)
- $T_A$  is the ambient temperature

(4)

The regulator power dissipation is calculated using [Equation 5](#).

$$P_D = (V_{IN} - V_{OUT}) \times I_{OUT}$$

(5)

For a higher power package version of the TPS715A, see the [TPS715A](#).

## 11 Device and Documentation Support

### 11.1 Device Support

#### 11.1.1 Development Support

##### 11.1.1.1 Evaluation Module

An evaluation module (EVM) is available to assist in the initial circuit performance evaluation using the TPS715A. The [TPS715AXXEVM-065 evaluation module](#) (and related [user's guide](#)) can be requested at the TI website through the product folders or purchased directly from [the TI eStore](#).

##### 11.1.1.2 Spice Models

Computer simulation of circuit performance using SPICE is often useful when analyzing the performance of analog circuits and systems. A SPICE model for the TPS715A is available through the product folders under *Tools & Software*.

#### 11.1.2 Device Nomenclature

**Table 3. Device Nomenclature<sup>(1)</sup>**

| PRODUCT       | V <sub>OUT</sub>  |
|---------------|---|
| TPS715Axxyyyz | xx is nominal output voltage (for example 33 = 3.3V, 01 = adjustable)<br>yyy is package designator<br>z is package quantity |

(1) For the most current package and ordering information see the Package Option Addendum at the end of this document, or see the TI website at [www.ti.com](http://www.ti.com).

### 11.2 Documentation Support

#### 11.2.1 Related Documentation

For related documentation see the following:

- *TPS715AxxEVM User Guide*, [SLVU122](#)
- *LDO Noise Demystified*, [SLAA412](#)
- *LDO PSRR Measurement Simplified*, [SLAA414](#)
- *A Topical Index of TI LDO Application Notes*, [SBVA026](#)

#### 11.3 Community Resources

The following links connect to TI community resources. Linked contents are provided "AS IS" by the respective contributors. They do not constitute TI specifications and do not necessarily reflect TI's views; see TI's [Terms of Use](#).

**TI E2E™ Online Community** *TI's Engineer-to-Engineer (E2E) Community*. Created to foster collaboration among engineers. At [e2e.ti.com](http://e2e.ti.com), you can ask questions, share knowledge, explore ideas and help solve problems with fellow engineers.

**Design Support** *TI's Design Support* Quickly find helpful E2E forums along with design support tools and contact information for technical support.

#### 11.4 Trademarks

E2E is a trademark of Texas Instruments.  
All other trademarks are the property of their respective owners.

## 11.5 Electrostatic Discharge Caution



This integrated circuit can be damaged by ESD. Texas Instruments recommends that all integrated circuits be handled with appropriate precautions. Failure to observe proper handling and installation procedures can cause damage.

ESD damage can range from subtle performance degradation to complete device failure. Precision integrated circuits may be more susceptible to damage because very small parametric changes could cause the device not to meet its published specifications.

## 11.6 Glossary

[SLYZ022](#) — *TI Glossary*.

This glossary lists and explains terms, acronyms, and definitions.

## 12 Mechanical, Packaging, and Orderable Information

The following pages include mechanical, packaging, and orderable information. This information is the most current data available for the designated devices. This data is subject to change without notice and revision of this document. For browser-based versions of this data sheet, refer to the left-hand navigation.

**PACKAGING INFORMATION**

| Orderable Device | Status<br>(1) | Package Type | Package Drawing | Pins | Package Qty | Eco Plan<br>(2)         | Lead/Ball Finish<br>(6) | MSL Peak Temp<br>(3) | Op Temp (°C) | Device Marking<br>(4/5) | Samples                 |
|------------------|---------------|--------------|-----------------|------|-------------|-------------------------|-------------------------|----------------------|--------------|-------------------------|-------------------------|
| TPS715A01DRBR    | ACTIVE        | SON          | DRB             | 8    | 3000        | Green (RoHS & no Sb/Br) | CU NIPDAU               | Level-2-260C-1 YEAR  | -40 to 125   | ANO                     | <a href="#">Samples</a> |
| TPS715A01DRBRG4  | ACTIVE        | SON          | DRB             | 8    | 3000        | Green (RoHS & no Sb/Br) | CU NIPDAU               | Level-2-260C-1 YEAR  | -40 to 125   | ANO                     | <a href="#">Samples</a> |
| TPS715A01DRBT    | ACTIVE        | SON          | DRB             | 8    | 250         | Green (RoHS & no Sb/Br) | CU NIPDAU               | Level-2-260C-1 YEAR  | -40 to 125   | ANO                     | <a href="#">Samples</a> |
| TPS715A01DRBTG4  | ACTIVE        | SON          | DRB             | 8    | 250         | Green (RoHS & no Sb/Br) | CU NIPDAU               | Level-2-260C-1 YEAR  | -40 to 125   | ANO                     | <a href="#">Samples</a> |
| TPS715A01DRVR    | ACTIVE        | WSON         | DRV             | 6    | 3000        | Green (RoHS & no Sb/Br) | CU NIPDAU               | Level-2-260C-1 YEAR  | -40 to 125   | SBE                     | <a href="#">Samples</a> |
| TPS715A01DRVT    | ACTIVE        | WSON         | DRV             | 6    | 250         | Green (RoHS & no Sb/Br) | CU NIPDAU               | Level-2-260C-1 YEAR  | -40 to 125   | SBE                     | <a href="#">Samples</a> |
| TPS715A30DRVR    | ACTIVE        | WSON         | DRV             | 6    | 3000        | Green (RoHS & no Sb/Br) | CU NIPDAU               | Level-2-260C-1 YEAR  | -40 to 125   | SAV                     | <a href="#">Samples</a> |
| TPS715A30DRVT    | ACTIVE        | WSON         | DRV             | 6    | 250         | Green (RoHS & no Sb/Br) | CU NIPDAU               | Level-2-260C-1 YEAR  | -40 to 125   | SAV                     | <a href="#">Samples</a> |
| TPS715A33DRBR    | ACTIVE        | SON          | DRB             | 8    | 3000        | Green (RoHS & no Sb/Br) | CU NIPDAU               | Level-2-260C-1 YEAR  | -40 to 125   | ANN                     | <a href="#">Samples</a> |
| TPS715A33DRBT    | ACTIVE        | SON          | DRB             | 8    | 250         | Green (RoHS & no Sb/Br) | CU NIPDAU               | Level-2-260C-1 YEAR  | -40 to 125   | ANN                     | <a href="#">Samples</a> |
| TPS715A33DRVR    | ACTIVE        | WSON         | DRV             | 6    | 3000        | Green (RoHS & no Sb/Br) | CU NIPDAU               | Level-2-260C-1 YEAR  | -40 to 125   | ANN                     | <a href="#">Samples</a> |
| TPS715A33DRVT    | ACTIVE        | WSON         | DRV             | 6    | 250         | Green (RoHS & no Sb/Br) | CU NIPDAU               | Level-2-260C-1 YEAR  | -40 to 125   | ANN                     | <a href="#">Samples</a> |

(1) The marketing status values are defined as follows:

**ACTIVE:** Product device recommended for new designs.

**LIFEBUY:** TI has announced that the device will be discontinued, and a lifetime-buy period is in effect.

**NRND:** Not recommended for new designs. Device is in production to support existing customers, but TI does not recommend using this part in a new design.

**PREVIEW:** Device has been announced but is not in production. Samples may or may not be available.

**OBSELETE:** TI has discontinued the production of the device.

(2) **RoHS:** TI defines "RoHS" to mean semiconductor products that are compliant with the current EU RoHS requirements for all 10 RoHS substances, including the requirement that RoHS substance do not exceed 0.1% by weight in homogeneous materials. Where designed to be soldered at high temperatures, "RoHS" products are suitable for use in specified lead-free processes. TI may reference these types of products as "Pb-Free".

**RoHS Exempt:** TI defines "RoHS Exempt" to mean products that contain lead but are compliant with EU RoHS pursuant to a specific EU RoHS exemption.

---

**Green:** TI defines "Green" to mean the content of Chlorine (Cl) and Bromine (Br) based flame retardants meet JS709B low halogen requirements of  $\leq 1000$ ppm threshold. Antimony trioxide based flame retardants must also meet the  $\leq 1000$ ppm threshold requirement.

(3) MSL, Peak Temp. - The Moisture Sensitivity Level rating according to the JEDEC industry standard classifications, and peak solder temperature.

(4) There may be additional marking, which relates to the logo, the lot trace code information, or the environmental category on the device.

(5) Multiple Device Markings will be inside parentheses. Only one Device Marking contained in parentheses and separated by a "~" will appear on a device. If a line is indented then it is a continuation of the previous line and the two combined represent the entire Device Marking for that device.

(6) Lead/Ball Finish - Orderable Devices may have multiple material finish options. Finish options are separated by a vertical ruled line. Lead/Ball Finish values may wrap to two lines if the finish value exceeds the maximum column width.

**Important Information and Disclaimer:** The information provided on this page represents TI's knowledge and belief as of the date that it is provided. TI bases its knowledge and belief on information provided by third parties, and makes no representation or warranty as to the accuracy of such information. Efforts are underway to better integrate information from third parties. TI has taken and continues to take reasonable steps to provide representative and accurate information but may not have conducted destructive testing or chemical analysis on incoming materials and chemicals. TI and TI suppliers consider certain information to be proprietary, and thus CAS numbers and other limited information may not be available for release.

In no event shall TI's liability arising out of such information exceed the total purchase price of the TI part(s) at issue in this document sold by TI to Customer on an annual basis.

## TAPE AND REEL INFORMATION



### QUADRANT ASSIGNMENTS FOR PIN 1 ORIENTATION IN TAPE



\*All dimensions are nominal

| Device        | Package Type | Package Drawing | Pins | SPQ  | Reel Diameter (mm) | Reel Width W1 (mm) | A0 (mm) | B0 (mm) | K0 (mm) | P1 (mm) | W (mm) | Pin1 Quadrant |
|---------------|--------------|-----------------|------|------|--------------------|--------------------|---------|---------|---------|---------|--------|---------------|
| TPS715A01DRBR | SON          | DRB             | 8    | 3000 | 330.0              | 12.4               | 3.3     | 3.3     | 1.1     | 8.0     | 12.0   | Q2            |
| TPS715A01DRBT | SON          | DRB             | 8    | 250  | 180.0              | 12.4               | 3.3     | 3.3     | 1.1     | 8.0     | 12.0   | Q2            |
| TPS715A01DRVR | WSON         | DRV             | 6    | 3000 | 179.0              | 8.4                | 2.2     | 2.2     | 1.2     | 4.0     | 8.0    | Q2            |
| TPS715A01DRVT | WSON         | DRV             | 6    | 250  | 179.0              | 8.4                | 2.2     | 2.2     | 1.2     | 4.0     | 8.0    | Q2            |
| TPS715A30DRVR | WSON         | DRV             | 6    | 3000 | 179.0              | 8.4                | 2.2     | 2.2     | 1.2     | 4.0     | 8.0    | Q2            |
| TPS715A30DRVT | WSON         | DRV             | 6    | 250  | 179.0              | 8.4                | 2.2     | 2.2     | 1.2     | 4.0     | 8.0    | Q2            |
| TPS715A33DRBR | SON          | DRB             | 8    | 3000 | 330.0              | 12.4               | 3.3     | 3.3     | 1.1     | 8.0     | 12.0   | Q2            |
| TPS715A33DRBT | SON          | DRB             | 8    | 250  | 180.0              | 12.4               | 3.3     | 3.3     | 1.1     | 8.0     | 12.0   | Q2            |
| TPS715A33DRVR | WSON         | DRV             | 6    | 3000 | 179.0              | 8.4                | 2.2     | 2.2     | 1.2     | 4.0     | 8.0    | Q2            |
| TPS715A33DRVT | WSON         | DRV             | 6    | 250  | 179.0              | 8.4                | 2.2     | 2.2     | 1.2     | 4.0     | 8.0    | Q2            |

**TAPE AND REEL BOX DIMENSIONS**


\*All dimensions are nominal

| Device        | Package Type | Package Drawing | Pins | SPQ  | Length (mm) | Width (mm) | Height (mm) |
|---------------|--------------|-----------------|------|------|-------------|------------|-------------|
| TPS715A01DRBR | SON          | DRB             | 8    | 3000 | 367.0       | 367.0      | 35.0        |
| TPS715A01DRBT | SON          | DRB             | 8    | 250  | 210.0       | 185.0      | 35.0        |
| TPS715A01DRVR | WSON         | DRV             | 6    | 3000 | 195.0       | 200.0      | 45.0        |
| TPS715A01DRVT | WSON         | DRV             | 6    | 250  | 195.0       | 200.0      | 45.0        |
| TPS715A30DRVR | WSON         | DRV             | 6    | 3000 | 195.0       | 200.0      | 45.0        |
| TPS715A30DRVT | WSON         | DRV             | 6    | 250  | 195.0       | 200.0      | 45.0        |
| TPS715A33DRBR | SON          | DRB             | 8    | 3000 | 367.0       | 367.0      | 35.0        |
| TPS715A33DRBT | SON          | DRB             | 8    | 250  | 210.0       | 185.0      | 35.0        |
| TPS715A33DRVR | WSON         | DRV             | 6    | 3000 | 195.0       | 200.0      | 45.0        |
| TPS715A33DRVT | WSON         | DRV             | 6    | 250  | 195.0       | 200.0      | 45.0        |

## GENERIC PACKAGE VIEW

DRV 6

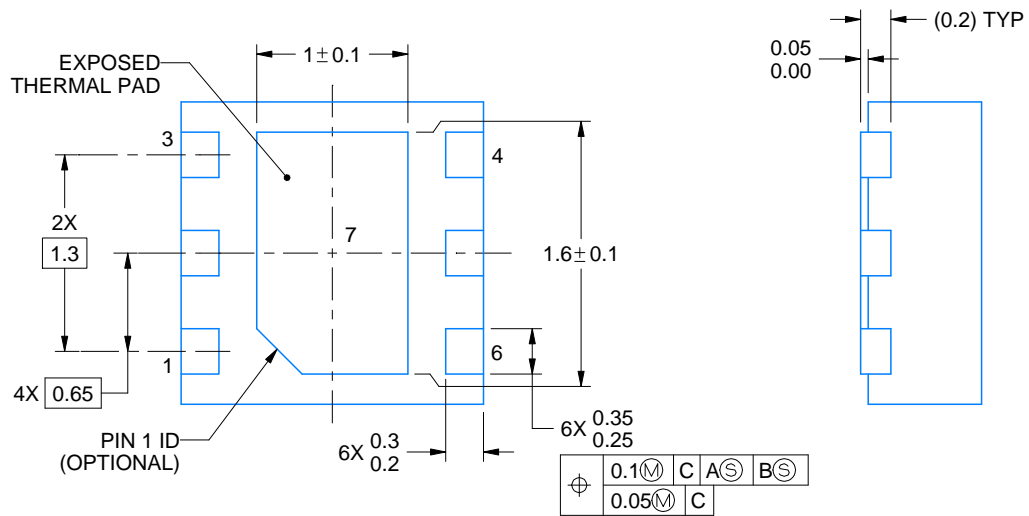
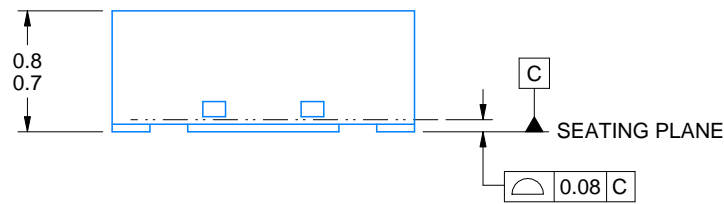
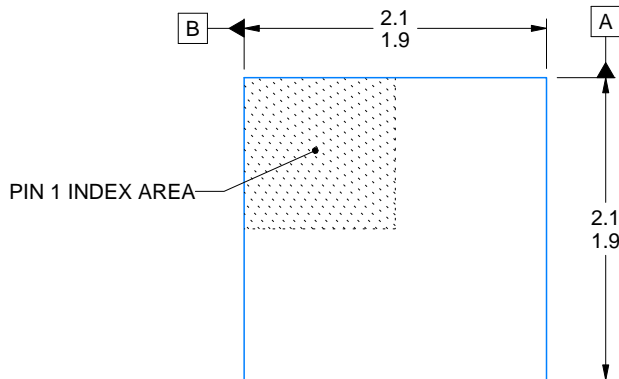
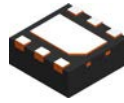
WSON - 0.8 mm max height

PLASTIC SMALL OUTLINE - NO LEAD



Images above are just a representation of the package family, actual package may vary.  
Refer to the product data sheet for package details.

4206925/F



4222173/B 04/2018

NOTES:

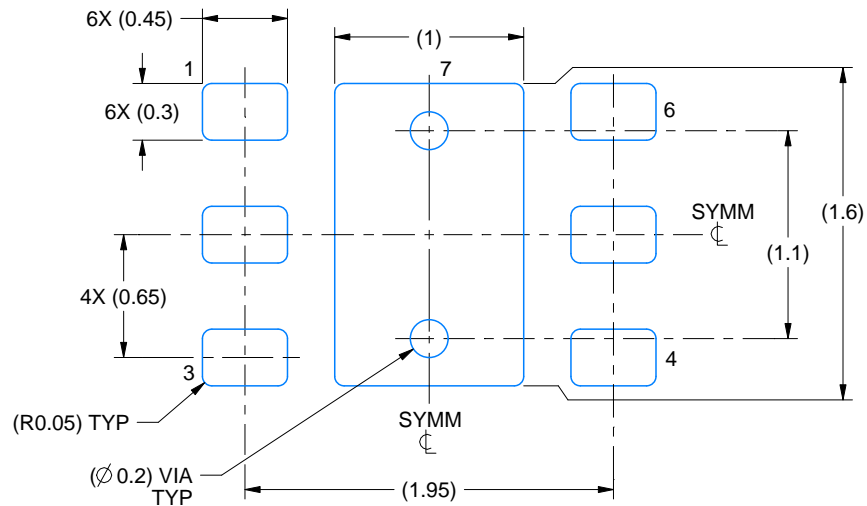
1. All linear dimensions are in millimeters. Any dimensions in parenthesis are for reference only. Dimensioning and tolerancing per ASME Y14.5M.
2. This drawing is subject to change without notice.
3. The package thermal pad must be soldered to the printed circuit board for thermal and mechanical performance.

# EXAMPLE BOARD LAYOUT

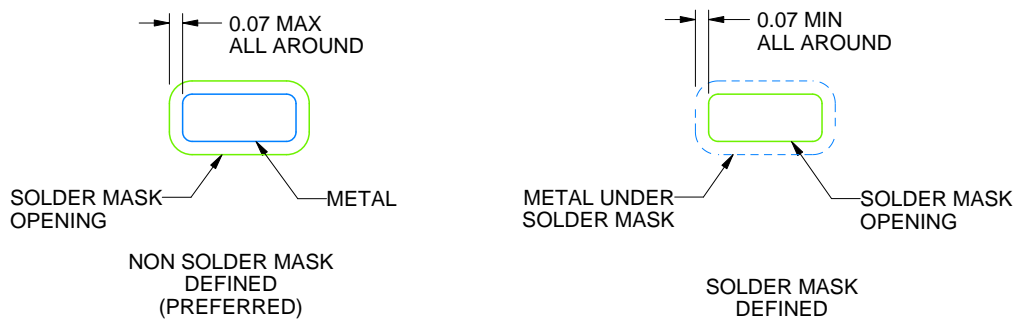
DRV0006A

WSON - 0.8 mm max height

PLASTIC SMALL OUTLINE - NO LEAD



LAND PATTERN EXAMPLE  
SCALE:25X



SOLDER MASK DETAILS

4222173/B 04/2018

NOTES: (continued)

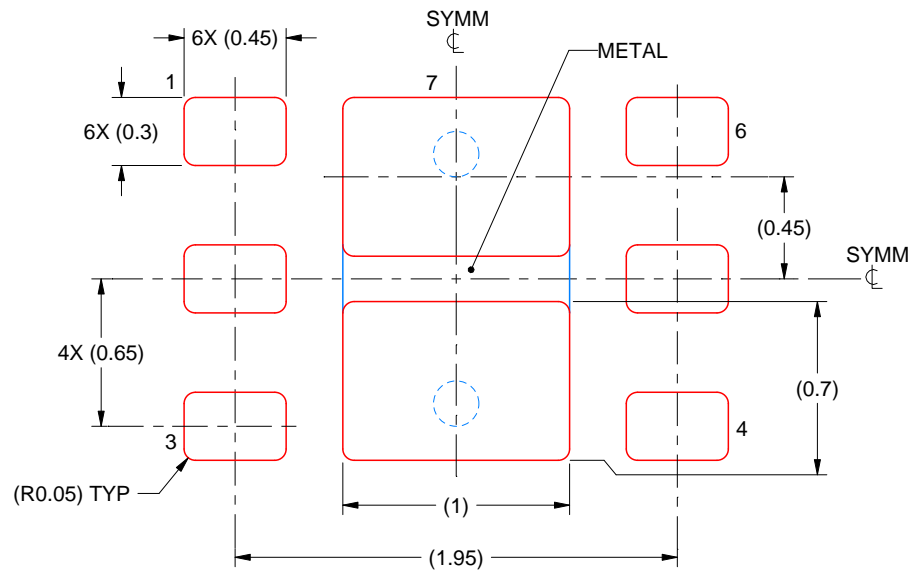
4. This package is designed to be soldered to a thermal pad on the board. For more information, see Texas Instruments literature number SLUA271 ([www.ti.com/lit/sluea271](http://www.ti.com/lit/sluea271)).
5. Vias are optional depending on application, refer to device data sheet. If some or all are implemented, recommended via locations are shown.

# EXAMPLE STENCIL DESIGN

DRV0006A

WSON - 0.8 mm max height

PLASTIC SMALL OUTLINE - NO LEAD



SOLDER PASTE EXAMPLE  
BASED ON 0.125 mm THICK STENCIL

EXPOSED PAD #7  
88% PRINTED SOLDER COVERAGE BY AREA UNDER PACKAGE  
SCALE:30X

4222173/B 04/2018

NOTES: (continued)

6. Laser cutting apertures with trapezoidal walls and rounded corners may offer better paste release. IPC-7525 may have alternate design recommendations.

**DRB 8**

**GENERIC PACKAGE VIEW**

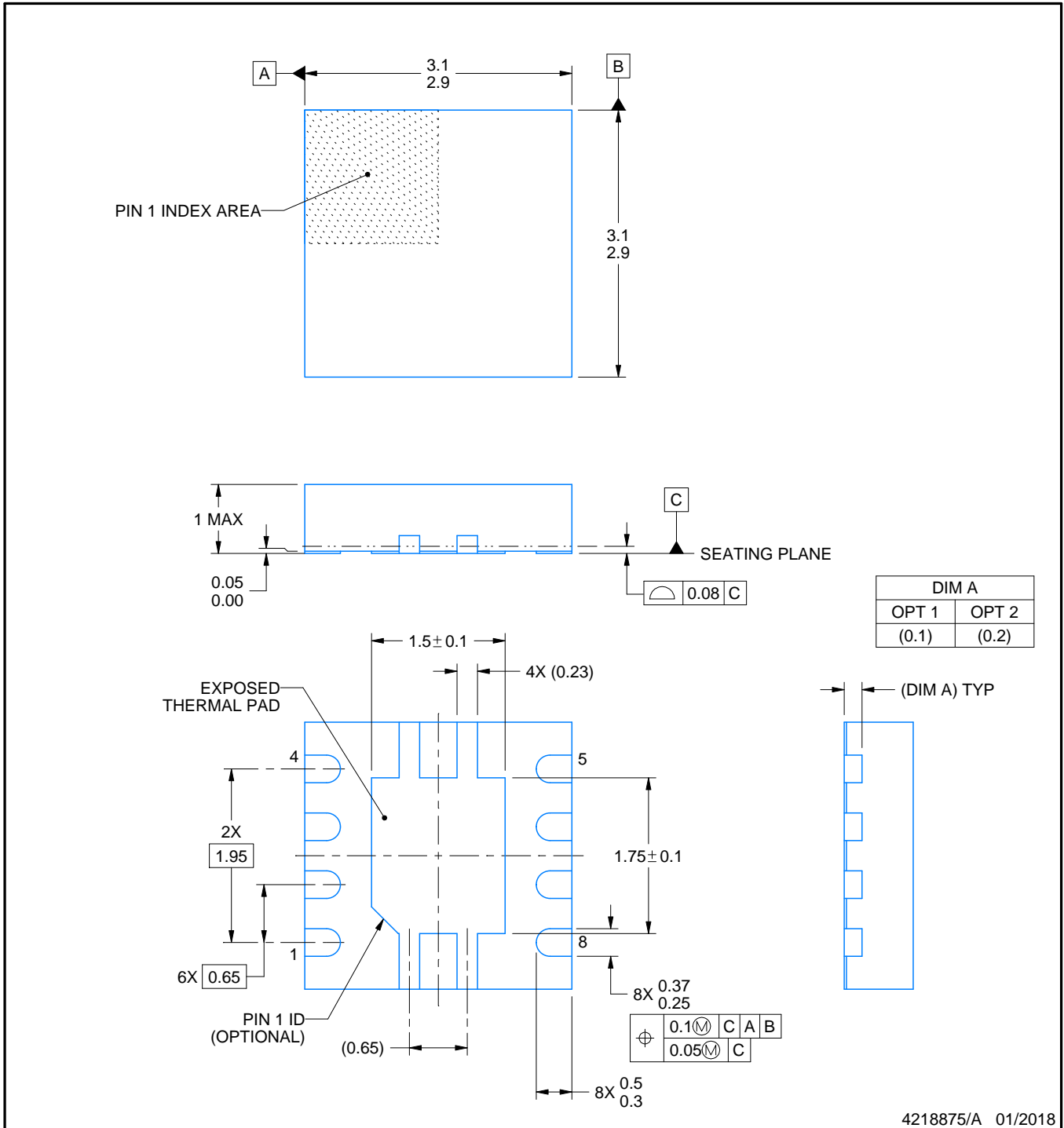
**VSON - 1 mm max height**

PLASTIC SMALL OUTLINE - NO LEAD



Images above are just a representation of the package family, actual package may vary.  
Refer to the product data sheet for package details.

4203482/L



4218875/A 01/2018

NOTES:

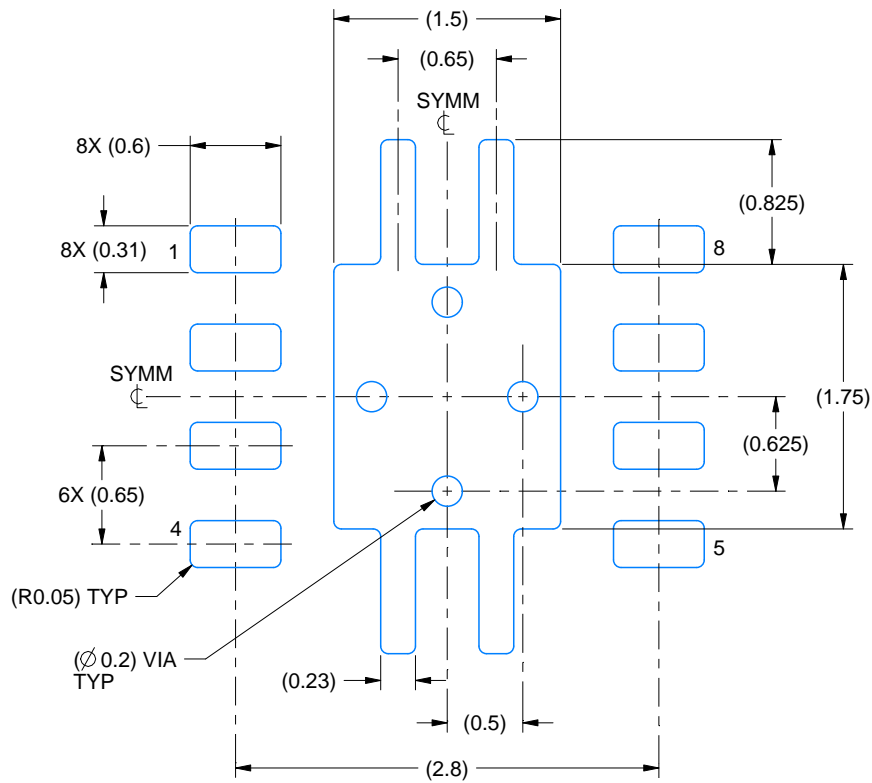
1. All linear dimensions are in millimeters. Any dimensions in parenthesis are for reference only. Dimensioning and tolerancing per ASME Y14.5M.
2. This drawing is subject to change without notice.
3. The package thermal pad must be soldered to the printed circuit board for thermal and mechanical performance.

# EXAMPLE BOARD LAYOUT

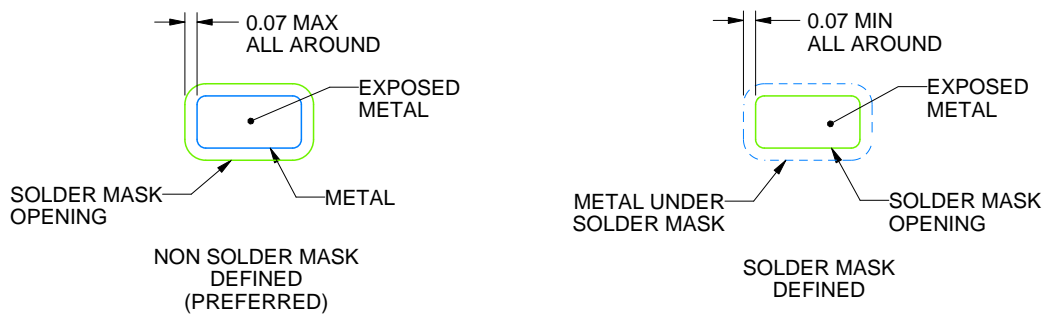
DRB0008A

VSON - 1 mm max height

PLASTIC SMALL OUTLINE - NO LEAD



LAND PATTERN EXAMPLE  
EXPOSED METAL SHOWN  
SCALE:20X



SOLDER MASK DETAILS

4218875/A 01/2018

NOTES: (continued)

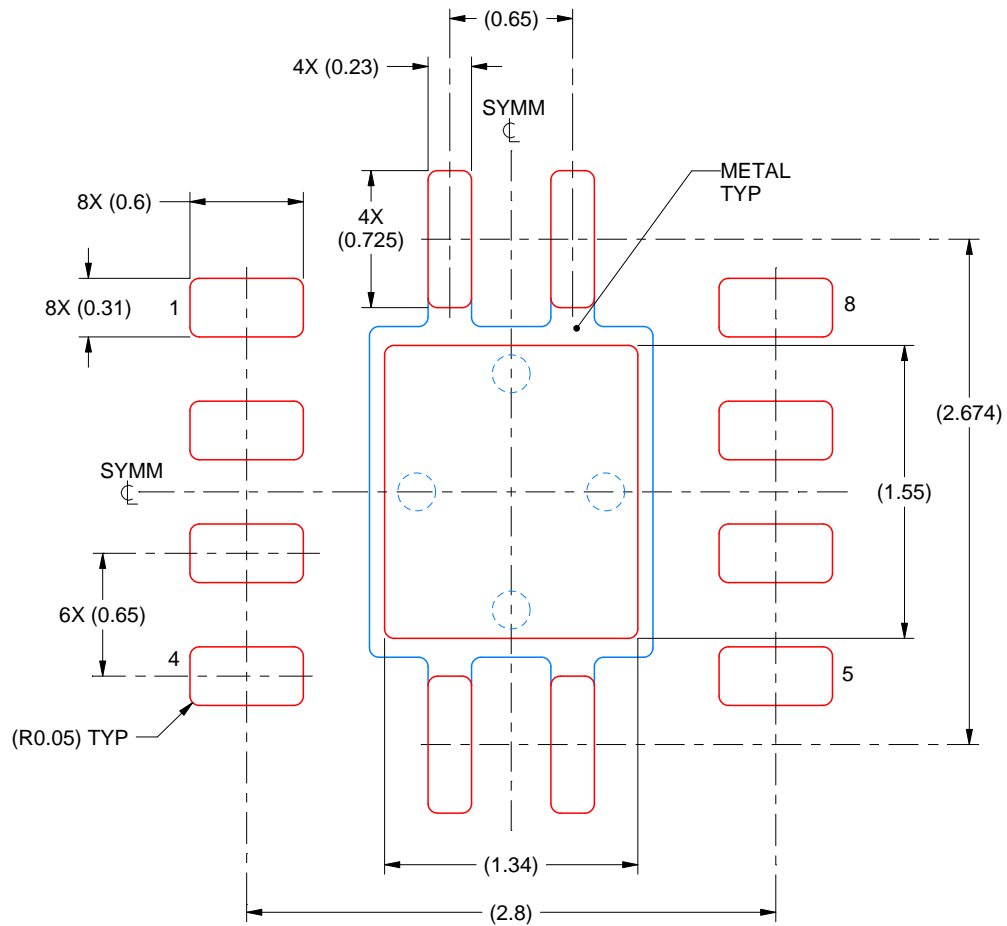
4. This package is designed to be soldered to a thermal pad on the board. For more information, see Texas Instruments literature number SLUA271 ([www.ti.com/lit/sluea271](http://www.ti.com/lit/sluea271)).
5. Vias are optional depending on application, refer to device data sheet. If any vias are implemented, refer to their locations shown on this view. It is recommended that vias under paste be filled, plugged or tented.

# EXAMPLE STENCIL DESIGN

DRB0008A

VSON - 1 mm max height

PLASTIC SMALL OUTLINE - NO LEAD



SOLDER PASTE EXAMPLE  
BASED ON 0.125 mm THICK STENCIL

EXPOSED PAD  
84% PRINTED SOLDER COVERAGE BY AREA  
SCALE:25X

4218875/A 01/2018

NOTES: (continued)

6. Laser cutting apertures with trapezoidal walls and rounded corners may offer better paste release. IPC-7525 may have alternate design recommendations.

## IMPORTANT NOTICE

Texas Instruments Incorporated (TI) reserves the right to make corrections, enhancements, improvements and other changes to its semiconductor products and services per JESD46, latest issue, and to discontinue any product or service per JESD48, latest issue. Buyers should obtain the latest relevant information before placing orders and should verify that such information is current and complete.

TI's published terms of sale for semiconductor products (<http://www.ti.com/sc/docs/stdterms.htm>) apply to the sale of packaged integrated circuit products that TI has qualified and released to market. Additional terms may apply to the use or sale of other types of TI products and services.

Reproduction of significant portions of TI information in TI data sheets is permissible only if reproduction is without alteration and is accompanied by all associated warranties, conditions, limitations, and notices. TI is not responsible or liable for such reproduced documentation. Information of third parties may be subject to additional restrictions. Resale of TI products or services with statements different from or beyond the parameters stated by TI for that product or service voids all express and any implied warranties for the associated TI product or service and is an unfair and deceptive business practice. TI is not responsible or liable for any such statements.

Buyers and others who are developing systems that incorporate TI products (collectively, "Designers") understand and agree that Designers remain responsible for using their independent analysis, evaluation and judgment in designing their applications and that Designers have full and exclusive responsibility to assure the safety of Designers' applications and compliance of their applications (and of all TI products used in or for Designers' applications) with all applicable regulations, laws and other applicable requirements. Designer represents that, with respect to their applications, Designer has all the necessary expertise to create and implement safeguards that (1) anticipate dangerous consequences of failures, (2) monitor failures and their consequences, and (3) lessen the likelihood of failures that might cause harm and take appropriate actions. Designer agrees that prior to using or distributing any applications that include TI products, Designer will thoroughly test such applications and the functionality of such TI products as used in such applications.

TI's provision of technical, application or other design advice, quality characterization, reliability data or other services or information, including, but not limited to, reference designs and materials relating to evaluation modules, (collectively, "TI Resources") are intended to assist designers who are developing applications that incorporate TI products; by downloading, accessing or using TI Resources in any way, Designer (individually or, if Designer is acting on behalf of a company, Designer's company) agrees to use any particular TI Resource solely for this purpose and subject to the terms of this Notice.

TI's provision of TI Resources does not expand or otherwise alter TI's applicable published warranties or warranty disclaimers for TI products, and no additional obligations or liabilities arise from TI providing such TI Resources. TI reserves the right to make corrections, enhancements, improvements and other changes to its TI Resources. TI has not conducted any testing other than that specifically described in the published documentation for a particular TI Resource.

Designer is authorized to use, copy and modify any individual TI Resource only in connection with the development of applications that include the TI product(s) identified in such TI Resource. NO OTHER LICENSE, EXPRESS OR IMPLIED, BY ESTOPPEL OR OTHERWISE TO ANY OTHER TI INTELLECTUAL PROPERTY RIGHT, AND NO LICENSE TO ANY TECHNOLOGY OR INTELLECTUAL PROPERTY RIGHT OF TI OR ANY THIRD PARTY IS GRANTED HEREIN, including but not limited to any patent right, copyright, mask work right, or other intellectual property right relating to any combination, machine, or process in which TI products or services are used. Information regarding or referencing third-party products or services does not constitute a license to use such products or services, or a warranty or endorsement thereof. Use of TI Resources may require a license from a third party under the patents or other intellectual property of the third party, or a license from TI under the patents or other intellectual property of TI.

TI RESOURCES ARE PROVIDED "AS IS" AND WITH ALL FAULTS. TI DISCLAIMS ALL OTHER WARRANTIES OR REPRESENTATIONS, EXPRESS OR IMPLIED, REGARDING RESOURCES OR USE THEREOF, INCLUDING BUT NOT LIMITED TO ACCURACY OR COMPLETENESS, TITLE, ANY EPIDEMIC FAILURE WARRANTY AND ANY IMPLIED WARRANTIES OF MERCHANTABILITY, FITNESS FOR A PARTICULAR PURPOSE, AND NON-INFRINGEMENT OF ANY THIRD PARTY INTELLECTUAL PROPERTY RIGHTS. TI SHALL NOT BE LIABLE FOR AND SHALL NOT DEFEND OR INDEMNIFY DESIGNER AGAINST ANY CLAIM, INCLUDING BUT NOT LIMITED TO ANY INFRINGEMENT CLAIM THAT RELATES TO OR IS BASED ON ANY COMBINATION OF PRODUCTS EVEN IF DESCRIBED IN TI RESOURCES OR OTHERWISE. IN NO EVENT SHALL TI BE LIABLE FOR ANY ACTUAL, DIRECT, SPECIAL, COLLATERAL, INDIRECT, PUNITIVE, INCIDENTAL, CONSEQUENTIAL OR EXEMPLARY DAMAGES IN CONNECTION WITH OR ARISING OUT OF TI RESOURCES OR USE THEREOF, AND REGARDLESS OF WHETHER TI HAS BEEN ADVISED OF THE POSSIBILITY OF SUCH DAMAGES.

Unless TI has explicitly designated an individual product as meeting the requirements of a particular industry standard (e.g., ISO/TS 16949 and ISO 26262), TI is not responsible for any failure to meet such industry standard requirements.

Where TI specifically promotes products as facilitating functional safety or as compliant with industry functional safety standards, such products are intended to help enable customers to design and create their own applications that meet applicable functional safety standards and requirements. Using products in an application does not by itself establish any safety features in the application. Designers must ensure compliance with safety-related requirements and standards applicable to their applications. Designer may not use any TI products in life-critical medical equipment unless authorized officers of the parties have executed a special contract specifically governing such use. Life-critical medical equipment is medical equipment where failure of such equipment would cause serious bodily injury or death (e.g., life support, pacemakers, defibrillators, heart pumps, neurostimulators, and implantables). Such equipment includes, without limitation, all medical devices identified by the U.S. Food and Drug Administration as Class III devices and equivalent classifications outside the U.S.

TI may expressly designate certain products as completing a particular qualification (e.g., Q100, Military Grade, or Enhanced Product). Designers agree that it has the necessary expertise to select the product with the appropriate qualification designation for their applications and that proper product selection is at Designers' own risk. Designers are solely responsible for compliance with all legal and regulatory requirements in connection with such selection.

Designer will fully indemnify TI and its representatives against any damages, costs, losses, and/or liabilities arising out of Designer's non-compliance with the terms and provisions of this Notice.

## Looking for pricing, stock, or lifecycle information?

Click below to explore more details on WIN SOURCE:

 [View TPS715A33DRBTG4 on WIN SOURCE](#)

 [Texas Instruments](#) Information

## Optimize Your Supply Chain with WIN SOURCE Solutions

-  Global Sourcing Solution
-  Obsolete Management
-  Cost Control Management
-  Shortage Management
-  Alternative Solution
-  Excess Inventory Management