



**THE DATASHEET OF**  
**5101**



PART NAME: GROMMET

SCALE: 4:1

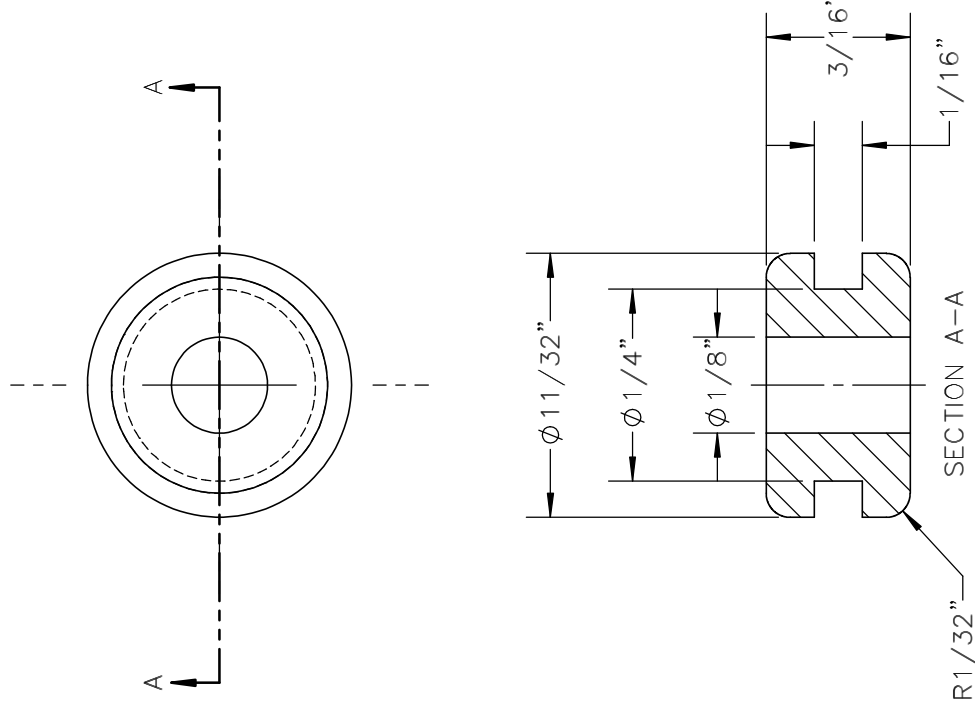
DATE: 9/19/16

DR. BY: MK

**DAVIES**  
**MOLDING**  
DESIGNERS & MANUFACTURERS  
OF KNOBS, HANDLES, CASES &  
CUSTOM PLASTIC COMPONENTS

THIS DRAWING IS THE PROPERTY OF DAVIES MOLDING COMPANY. IS SUBMITTED SOLELY AS A DESIGN OR ENGINEERING PROJECT.  
WE ACCEPT NO RESPONSIBILITY WHATSOEVER FOR THE PRACTICAL APPLICATION OF THE PIECES MADE TO THIS DESIGN.

For use with  
Max Thickness  
Hole Dia. = C





MATERIAL: NBR  
COLOR: BLACK

TOLERANCES: UNLESS OTHERWISE SPECIFIED	DO NOT SCALE DRAWING
DECIMALS: X.XXX ± .005 X.XX ± .015	MM: X.XX ± 0.1 X.X ± 0.4
FRACTIONS ± 1/64	ANG. ± 1°

## Looking for pricing, stock, or lifecycle information?

Click below to explore more details on WIN SOURCE:

-  [View 5101 on WIN SOURCE](#)
-  [Davies Molding, LLC Information](#)

## Optimize Your Supply Chain with WIN SOURCE Solutions

-  Global Sourcing Solution
-  Obsolete Management
-  Cost Control Management
-  Shortage Management
-  Alternative Solution
-  Excess Inventory Management