



**THE DATASHEET OF
PI49FCT3807DQ**



1-10 Clock Buffer for Networking Applications

Features

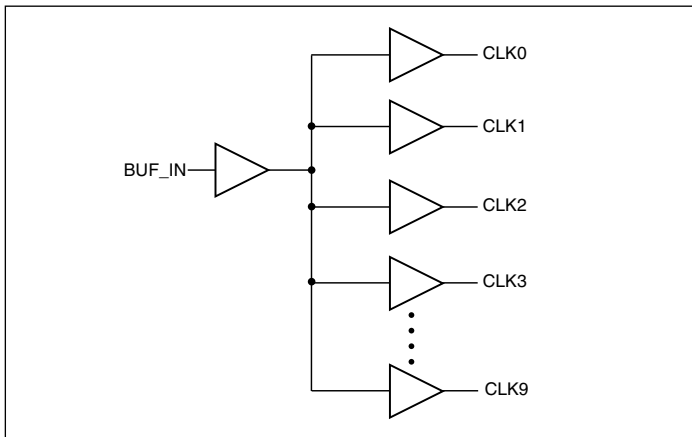
- Maximum Frequency up to 156 MHz
- High-speed, low-noise, non-inverting 1-10 buffer
- Low-skew (<250ps) between any two output clocks
- Low duty cycle distortion <250ps
- Low propagation delay <2.5ns
- Multiple VDD, GND pins for noise reduction
- 3.3V supply voltage with 5V input tolerant
- Totally Lead-Free & Fully RoHS Compliant (Notes 1 & 2)
- Halogen and Antimony Free. “Green” Device (Note 3)
- For automotive applications requiring specific change control (i.e. parts qualified to AEC-Q100/101/200, PPAP capable, and manufactured in IATF 16949 certified facilities), please [contact us](#) or your local Diodes representative.
<https://www.diodes.com/quality/product-definitions/>
- Packages (Pb-free & Green Available):
 - 20-pin 209-mil wide SSOP (H)
 - 20-pin 150-mil wide QSOP (Q)

Description

The PI49FCT3807D is a 3.3V high-speed, low-noise 1-10 non-inverting clock buffer. The key goal in designing the PI49FCT3807D is to target networking applications that require low-skew, low-jitter, and high-frequency clock distribution.

Providing output-to-output skew as low as 250ps, the PI49FCT3807D is an ideal clock distribution device for synchronous systems. Designing synchronous networking systems requires a tight level of skew from a large number of outputs.

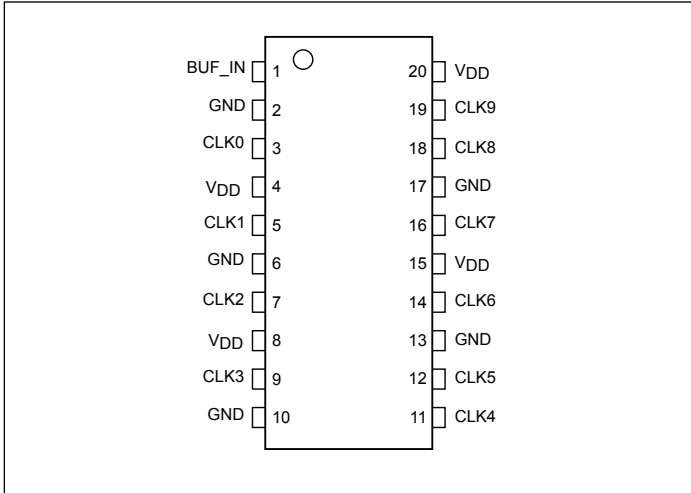
Block Diagram



Notes:

1. No purposely added lead. Fully EU Directive 2002/95/EC (RoHS), 2011/65/EU (RoHS 2) & 2015/863/EU (RoHS 3) compliant.
2. See <https://www.diodes.com/quality/lead-free/> for more information about Diodes Incorporated’s definitions of Halogen- and Antimony-free, “Green” and Lead-free.
3. Halogen- and Antimony-free “Green” products are defined as those which contain <900ppm bromine, <900ppm chlorine (<1500ppm total Br + Cl) and <1000ppm antimony compounds.

Pin Configuration



Pin Description

| Pin Name | Description |
|-----------------|-------------|
| BUF_IN | Input |
| CLK [0:9] | Outputs |
| GND | Ground |
| V _{DD} | Power |

Maximum Ratings

(Above which the useful life may be impaired. For user guidelines, not tested.)

| | |
|-------------------------------|--------------------------------|
| Storage Temperature..... | -65°C to +150°C |
| V _{DD} Voltage | -0.5V to +4.6V |
| Output Voltage..... | -0.5V to V _{DD} +0.5V |
| Input Voltage | -0.5V to +5.5V |
| Junction Temperature | Max. 125°C |

Note:

Stresses greater than those listed under MAXIMUM RATINGS may cause permanent damage to the device. This is a stress rating only and functional operation of the device at these or any other conditions above those indicated in the operational sections of this specification is not implied. Exposure to absolute maximum rating conditions for extended periods may affect reliability.

Operating Range

| | |
|-------------------------------|-----------------|
| V _{DD} Voltage | 3.3V ± 0.3V |
| Industrial Temperature | -40°C to +105°C |
| Input Frequency..... | DC to 156 MHz |

DC Electrical Characteristics (Over the Operating Range)

| Parameters | Description | Test Conditions ⁽¹⁾ | Min. | Typ. ⁽²⁾ | Max. | Units |
|------------------|---------------------|--|-------------------------|----------------------|------|-------|
| V _{IH} | Input HIGH Voltage | Guaranteed Logic HIGH level (Input Pins) | 2.0 | | 5.5 | V |
| V _{IL} | Input LOW Voltage | Guaranteed Logic LOW level (Input Pins) | -0.5 | | 0.8 | |
| I _{IH} | Input HIGH Current | V _{DD} = Max | | | 1 | µA |
| I _{IL} | Input LOW Current | V _{DD} = Max | | | 1 | |
| V _{IK} | Clamp Diode Voltage | V _{DD} = Min. I _{IN} = -18mA | | -0.7 | -1.2 | V |
| V _{OH} | Output High Voltage | V _{DD} = Min. V _{IN} = V _{IH} or V _{IL} | I _{OH} = 0.1mA | V _{DD} -0.2 | | |
| | | | I _{OH} = -12mA | 2.4 ⁽³⁾ | 3.0 | |
| V _{OL} | Output LOW Voltage | V _{DD} = Min. V _{IN} = V _{IH} or V _{IL} | I _{OL} = 0.1mA | | 0.2 | |
| | | | I _{OL} = 12mA | | 0.3 | 0.5 |
| I _{ODH} | Output HIGH Current | V _{DD} = 3.3V, V _{IN} = V _{IH} or V _{IL} , V _{OUT} = 1.5V ^(4, 5) | -45 | -75 | -180 | mA |
| I _{ODL} | Output LOW Current | V _{DD} = 3.3V, V _{IN} = V _{IH} or V _{IL} , V _{OUT} = 1.5V ^(4, 5) | 50 | 80 | 200 | |

Notes:

- For Max. or Min. conditions, use appropriate value specified under Electrical Characteristics for the applicable device type.
- Typical values are at V_{DD} = 3.3V, +25°C ambient and maximum loading.
- V_{OH} = V_{DD} - 0.6V at rated current.
- This parameter is determined by device characterization but is not production tested.
- Not more than one output should be shorted at one time. Duration of the test should not exceed one second.

Power Supply Characteristics

| Parameters | Description | Test Conditions ⁽¹⁾ | | Min. | Typ. ⁽²⁾ | Max. | Units |
|------------------|--------------------------------------|------------------------------------|---|------|---------------------|------|-------|
| I _{DDQ} | Quiescent Power Supply Current | V _{DD} = Max. | V _{IN} = GND or V _{DD} | | 0.1 | 30 | μA |
| ΔI _{DD} | Supply Current per Inputs @ TTL HIGH | V _{DD} = Max. | V _{IN} = V _{DD} - 0.6V ⁽³⁾ | | 47 | 300 | |
| I _D | Dynamic Supply Current | V _{DD} = 3.6V, No Load | 50 MHz | | 43 | 55 | mA |
| | | | 67 MHz | | 56 | 70 | |
| | | | 80 MHz | | 66 | 85 | |
| | | | 100 MHz | | 81 | 105 | |
| | | | 125 MHz | | 97 | 125 | |
| | | | 156 MHz | | 121 | 155 | |

Notes:

1. For Max. or Min. conditions, use appropriate value specified under Electrical Characteristics for the applicable device.
2. Typical values are at V_{DD} = 3.3V, +25°C ambient.
3. Per TTL driven input (V_{IN} = V_{DD} - 0.6V); all other inputs at V_{DD} or GND.

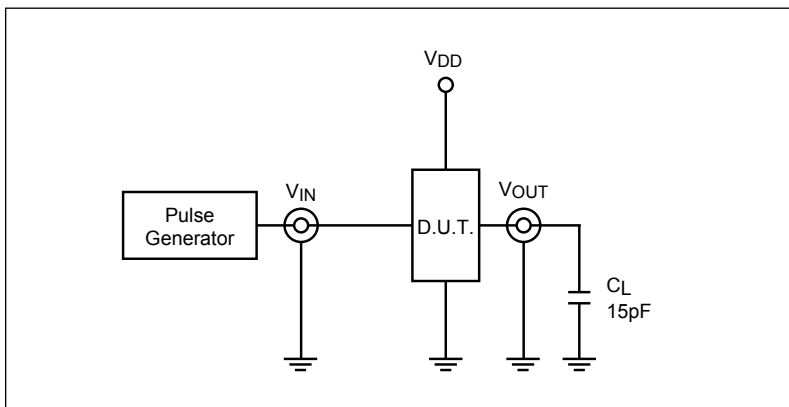
Capacitance (T_A = 25°C, f = 1 MHz)

| Parameters ⁽¹⁾ | Description | Test Conditions | Typ | Max. | Units |
|---------------------------|--------------------|-----------------------|-----|------|-------|
| C _{IN} | Input Capacitance | V _{IN} = 0V | 3.0 | 4 | pF |
| C _{OUT} | Output Capacitance | V _{OUT} = 0V | — | 6 | |

Note:

1. This parameter is determined by device characterization but is not production tested.

Test Circuits for All Outputs



Definitions:

- C_L = Load capacitance: includes jig and probe capacitance.
R_T = Termination resistance, should be equal to Z_{out} of the Pulse Generator.

Switching Characteristics ($V_{DD} = 3.3V \pm 0.3V$, $T_A = 85^\circ C$)

| Parameters | Description | Test Conditions ⁽¹⁾ | Min. | Typ | Max. | Units |
|------------------------|--|--------------------------------|------|-----|------|-------|
| t_R/t_F | CLKn Rise/Fall Time 0.8V ~ 2.0V | $C_L = 15pF, 125 MHz$ | | 0.8 | 1.0 | ns |
| t_{PLH} t_{PHL} | Propagation Delay BUF_IN to CLKn | | 1.0 | 2.2 | 2.5 | |
| $t_{SK(o)}^{(3)}$ | Skew between two outputs of the same package (same transition) | | | 110 | 250 | ps |
| $t_{SK(p)}^{(3)}$ | Skew between opposite transitions ($t_{PHL}-t_{PLH}$) of the same output | | | 200 | 250 | |
| $t_{SK(o)}^{(3)}$ | Skew between two outputs of different package ⁽⁴⁾ | | | | 550 | |

Notes:

1. See test circuit and waveforms.
2. Minimum limits are guaranteed but not tested on Propagation Delays.
3. Skew measured at worst case temperature (max. temp).
4. Identical conditions: loading, transitions, supply voltage, temperature, package type and speed grade.

Switching Characteristics ($V_{DD} = 3.3V \pm 0.3V$, $T_A = 105^\circ C$)

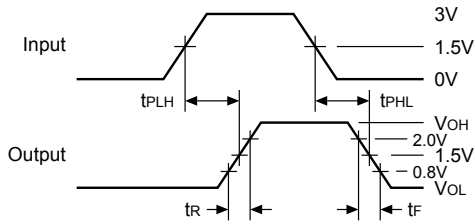
| Parameters | Description | Test Conditions ⁽¹⁾ | Min. | Typ | Max. | Units |
|------------------------|--|--------------------------------|------|-----|------|-------|
| t_R/t_F | CLKn Rise/Fall Time 0.8V ~ 2.0V | $C_L = 15pF, 125 MHz$ | | 0.8 | 1.0 | ns |
| t_{PLH} t_{PHL} | Propagation Delay BUF_IN to CLKn | | 1.0 | 2.8 | 3.0 | |
| $t_{SK(o)}^{(3)}$ | Skew between two outputs of the same package (same transition) | | | 110 | 250 | ps |
| $t_{SK(p)}^{(3)}$ | Skew between opposite transitions ($t_{PHL}-t_{PLH}$) of the same output | | | 200 | 250 | |
| $t_{SK(o)}^{(3)}$ | Skew between two outputs of different package ⁽⁴⁾ | | | | 550 | |

Notes:

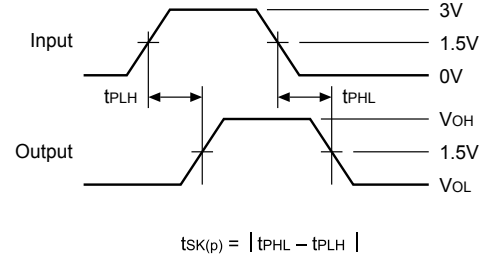
1. See test circuit and waveforms.
2. Minimum limits are guaranteed but not tested on Propagation Delays.
3. Skew measured at worst case temperature (max. temp).
4. Identical conditions: loading, transitions, supply voltage, temperature, package type and speed grade.

Switching Waveforms

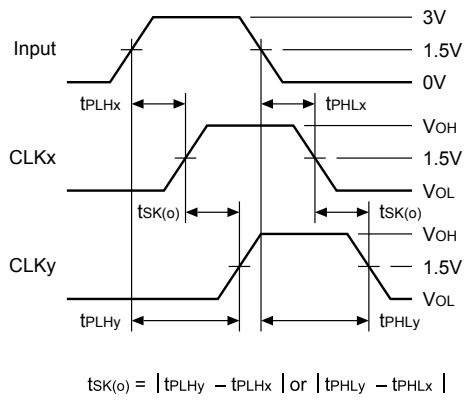
Propagation Delay



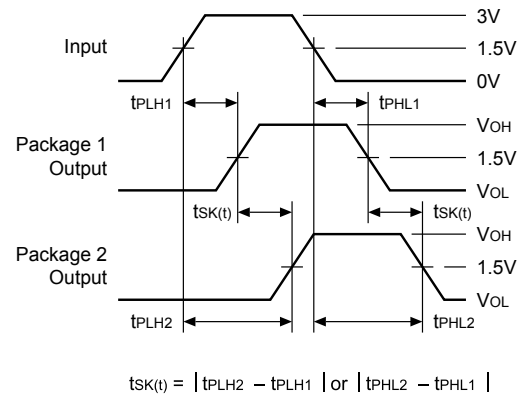
Pulse Skew – $t_{SK(P)}$



Output Skew – $t_{SK(O)}$



Package Skew – $t_{SK(T)}$



PI49FCT3807D

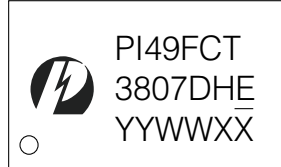
Part Marking

Q Package



B: Fab 2 Code
YY: Year
WW: Workweek
1st X: Assembly Code
2nd X: Fab Code

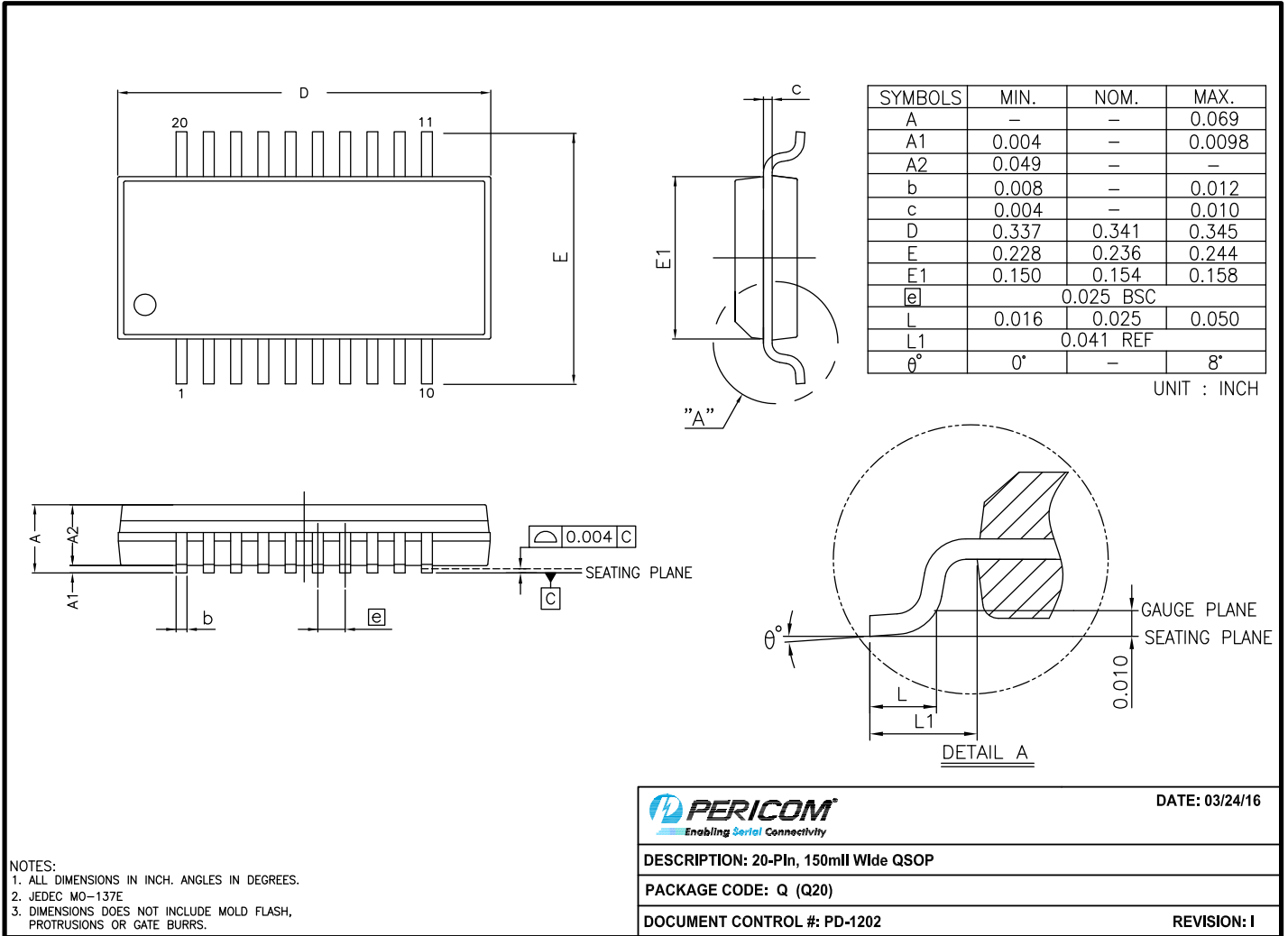
H Package



YY: Year
WW: Workweek
1st X: Assembly Code
2nd X: Fab Code

PI49FCT3807D

Packaging Mechanical: 20-QSOP (Q)



DATE: 03/24/16

DESCRIPTION: 20-Pin, 150mil Wide QSOP

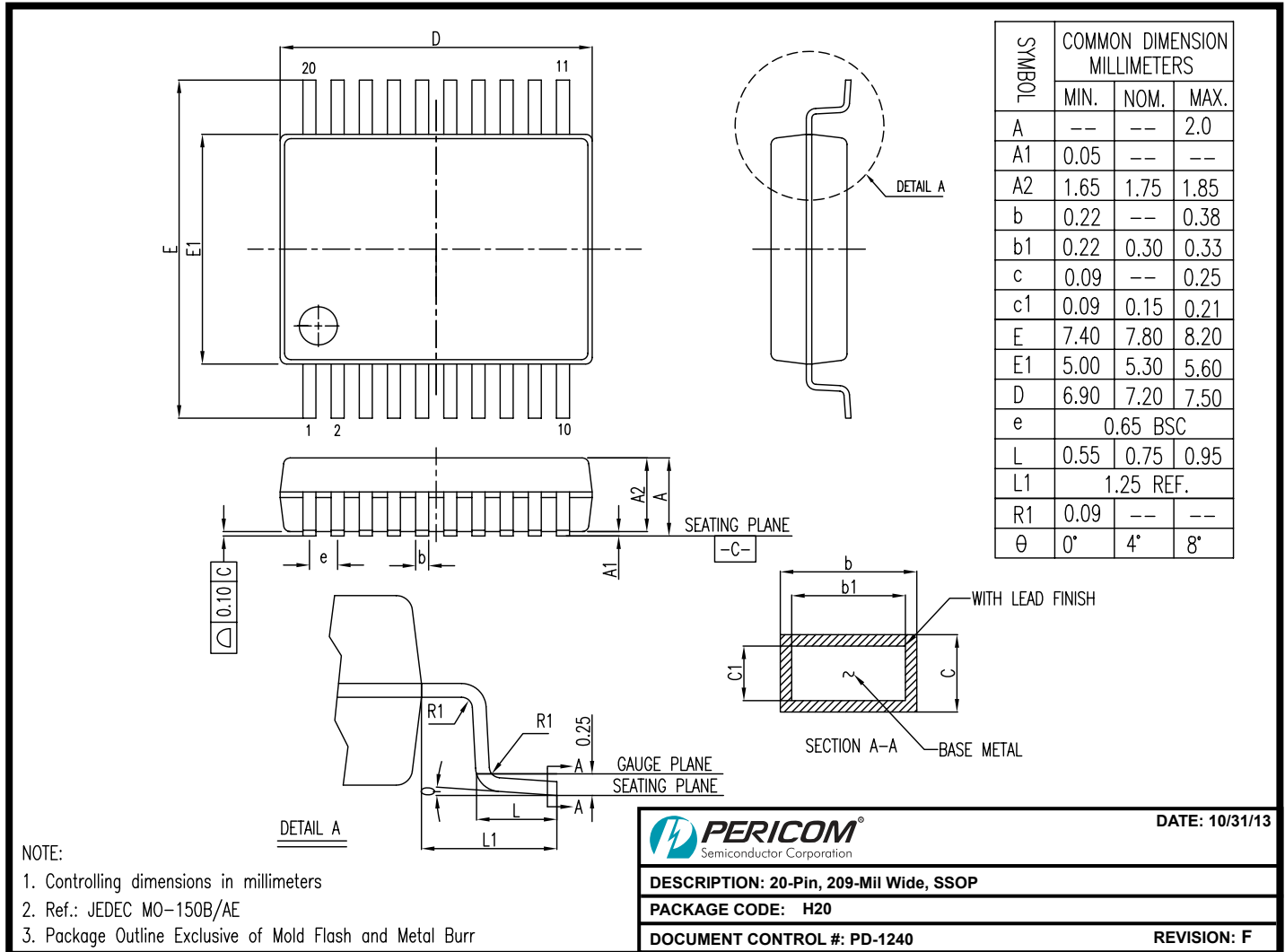
PACKAGE CODE: Q (Q20)

DOCUMENT CONTROL #: PD-1202

REVISION: I

16-0057

Packaging Mechanical: 20-SSOP (H)



13-0214

For latest package info.

please check: <http://www.diodes.com/design/support/packaging/pericom-packaging/packaging-mechanicals-and-thermal-characteristics/>

Ordering Information

| Ordering Code | Package Code | Package Description |
|-----------------|--------------|-----------------------------|
| PI49FCT3807DQEX | Q | 20-pin, 150-mil wide (QSOP) |
| PI49FCT3807DHEX | H | 20-pin, 209-mil wide (SSOP) |

Notes:

1. No purposely added lead. Fully EU Directive 2002/95/EC (RoHS), 2011/65/EU (RoHS 2) & 2015/863/EU (RoHS 3) compliant.
2. See <https://www.diodes.com/quality/lead-free/> for more information about Diodes Incorporated's definitions of Halogen- and Antimony-free, "Green" and Lead-free.
3. Halogen- and Antimony-free "Green" products are defined as those which contain <900ppm bromine, <900ppm chlorine (<1500ppm total Br + Cl) and <1000ppm antimony compounds.
4. E = Pb-free and Green
5. X suffix = Tape/Reel

IMPORTANT NOTICE

1. DIODES INCORPORATED AND ITS SUBSIDIARIES ("DIODES") MAKE NO WARRANTY OF ANY KIND, EXPRESS OR IMPLIED, WITH REGARDS TO ANY INFORMATION CONTAINED IN THIS DOCUMENT, INCLUDING, BUT NOT LIMITED TO, THE IMPLIED WARRANTIES OF MERCHANTABILITY, FITNESS FOR A PARTICULAR PURPOSE OR NON-INFRINGEMENT OF THIRD PARTY INTELLECTUAL PROPERTY RIGHTS (AND THEIR EQUIVALENTS UNDER THE LAWS OF ANY JURISDICTION).

2. The Information contained herein is for informational purpose only and is provided only to illustrate the operation of Diodes products described herein and application examples. Diodes does not assume any liability arising out of the application or use of this document or any product described herein. This document is intended for skilled and technically trained engineering customers and users who design with Diodes products. Diodes products may be used to facilitate safety-related applications; however, in all instances customers and users are responsible for (a) selecting the appropriate Diodes products for their applications, (b) evaluating the suitability of the Diodes products for their intended applications, (c) ensuring their applications, which incorporate Diodes products, comply the applicable legal and regulatory requirements as well as safety and functional-safety related standards, and (d) ensuring they design with appropriate safeguards (including testing, validation, quality control techniques, redundancy, malfunction prevention, and appropriate treatment for aging degradation) to minimize the risks associated with their applications.

3. Diodes assumes no liability for any application-related information, support, assistance or feedback that may be provided by Diodes from time to time. Any customer or user of this document or products described herein will assume all risks and liabilities associated with such use, and will hold Diodes and all companies whose products are represented herein or on Diodes' websites, harmless against all damages and liabilities.

4. Products described herein may be covered by one or more United States, international or foreign patents and pending patent applications. Product names and markings noted herein may also be covered by one or more United States, international or foreign trademarks and trademark applications. Diodes does not convey any license under any of its intellectual property rights or the rights of any third parties (including third parties whose products and services may be described in this document or on Diodes' website) under this document.

5. Diodes products are provided subject to Diodes' Standard Terms and Conditions of Sale (<https://www.diodes.com/about/company/terms-and-conditions/terms-and-conditions-of-sales/>) or other applicable terms. This document does not alter or expand the applicable warranties provided by Diodes. Diodes does not warrant or accept any liability whatsoever in respect of any products purchased through unauthorized sales channel.

6. Diodes products and technology may not be used for or incorporated into any products or systems whose manufacture, use or sale is prohibited under any applicable laws and regulations. Should customers or users use Diodes products in contravention of any applicable laws or regulations, or for any unintended or unauthorized application, customers and users will (a) be solely responsible for any damages, losses or penalties arising in connection therewith or as a result thereof, and (b) indemnify and hold Diodes and its representatives and agents harmless against any and all claims, damages, expenses, and attorney fees arising out of, directly or indirectly, any claim relating to any noncompliance with the applicable laws and regulations, as well as any unintended or unauthorized application.

7. While efforts have been made to ensure the information contained in this document is accurate, complete and current, it may contain technical inaccuracies, omissions and typographical errors. Diodes does not warrant that information contained in this document is error-free and Diodes is under no obligation to update or otherwise correct this information. Notwithstanding the foregoing, Diodes reserves the right to make modifications, enhancements, improvements, corrections or other changes without further notice to this document and any product described herein. This document is written in English but may be translated into multiple languages for reference. Only the English version of this document is the final and determinative format released by Diodes.



8. Any unauthorized copying, modification, distribution, transmission, display or other use of this document (or any portion hereof) is prohibited. Diodes assumes no responsibility for any losses incurred by the customers or users or any third parties arising from any such unauthorized use.

Copyright © 2021 Diodes Incorporated

www.diodes.com

Looking for pricing, stock, or lifecycle information?

Click below to explore more details on WIN SOURCE:

-  [View PI49FCT3807DQ on WIN SOURCE](#)
-  [Diodes Incorporated Information](#)

Optimize Your Supply Chain with WIN SOURCE Solutions

-  Global Sourcing Solution
-  Obsolete Management
-  Cost Control Management
-  Shortage Management
-  Alternative Solution
-  Excess Inventory Management