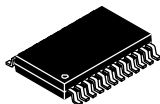




**THE DATASHEET OF
TPA0132PWP**

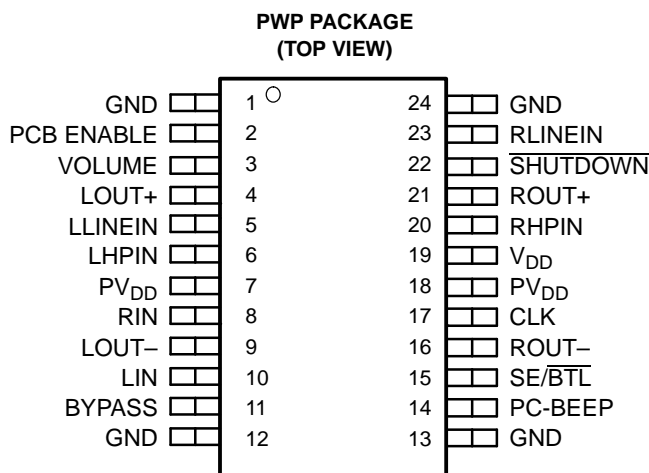




2.8-W STEREO AUDIO POWER AMPLIFIER WITH DC VOLUME CONTROL

FEATURES

- Compatible With PC 99 Desktop Line-Out Into 10-k Ω Load
- Compatible With PC 99 Portable Into 8- Ω Load
- Internal Gain Control, Which Eliminates External Gain-Setting Resistors
- DC Volume Control From 20 dB to -40 dB
- 2.8-W/Ch Output Power Into a 3- Ω Load
- PC-Beep Input
- Depop Circuitry
- Stereo Input MUX
- Fully Differential Input
- Low Supply Current and Shutdown Current
- Surface-Mount Power Packaging 24-Pin TSSOP PowerPAD™



DESCRIPTION

The TPA0132 is a stereo audio power amplifier in a 24-pin TSSOP thermally enhanced package capable of delivering 2.8 W of continuous RMS power per channel into 3- Ω loads.

This device minimizes the number of external components needed, which simplifies the design and frees up board space for other features. When driving 1 W into 8- Ω speakers, the TPA0132 has less than 0.4% THD+N across its specified frequency range. Included within this device is integrated depop circuitry that virtually eliminates transients that cause noise in the speakers.

Amplifier gain is controlled by means of a dc voltage input on the VOLUME terminal. There are 31 discrete steps covering the range of 20 dB (maximum volume setting) to -40 dB (minimum volume setting) in 2-dB steps. When the VOLUME terminal exceeds 3.54 V, the device is muted. An internal input MUX allows two sets of stereo inputs to the amplifier. In notebook applications, where internal speakers are driven as bridge-tied load (BTL) and the line outputs (often headphone drive) are required to be single-ended (SE), the TPA0132 automatically switches into SE mode when the SE/BTL input is activated, and this effectively reduces the gain by 6 dB.

The TPA0132 consumes only 10 mA of supply current during normal operation. A shutdown mode is included that reduces the supply current to 150 μ A.

The PowerPAD package (PWP) delivers a level of thermal performance that was previously achievable only in TO-220-type packages. Thermal impedances of approximately 35°C/W are readily realized in multilayer PCB applications. This allows the TPA0132 to operate at full power into 8- Ω loads at ambient temperatures of 85°C.



Please be aware that an important notice concerning availability, standard warranty, and use in critical applications of Texas Instruments semiconductor products and disclaimers thereto appears at the end of this data sheet.

PowerPAD is a trademark of Texas Instruments.



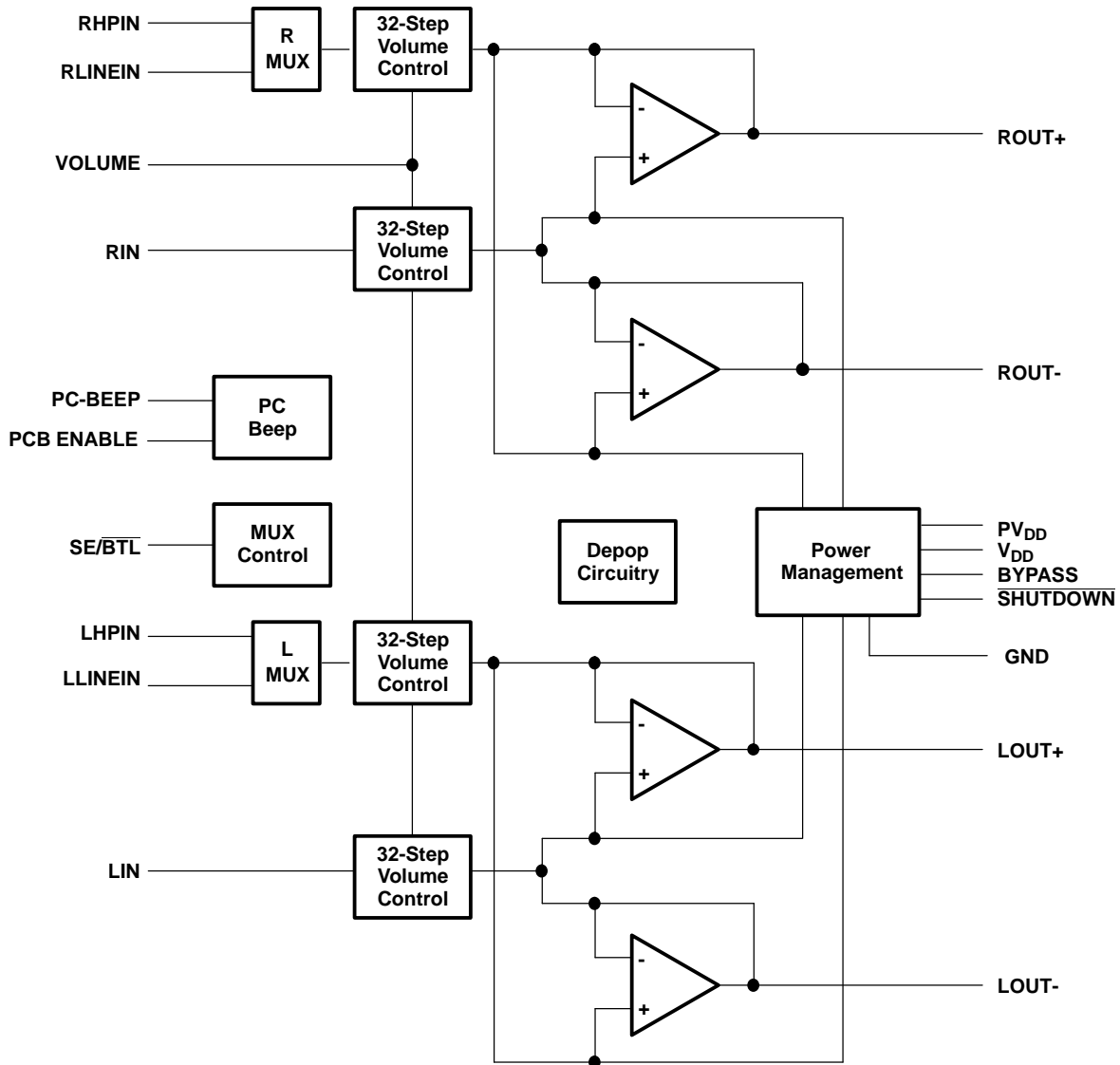
These devices have limited built-in ESD protection. The leads should be shorted together or the device placed in conductive foam during storage or handling to prevent electrostatic damage to the MOS gates.

ORDERING INFORMATION

| T _A | PACKAGED DEVICE |
|----------------|----------------------------|
| | TSSOP (PWP) ⁽¹⁾ |
| -40°C to 85°C | TPA0132PWP |

(1) The PWP package is available taped and reeled. To order a taped and reeled part, add the suffix R to the part number (e.g., TPA0132PWPR).

FUNCTIONAL BLOCK DIAGRAM



Terminal Functions

| TERMINAL NAME | NO. | I/O | DESCRIPTION |
|------------------------------|-----------------|-----|---|
| BYPASS | 11 | | Tap to voltage divider for internal mid-supply bias generator |
| CLK | 17 | I | If a 47-nF capacitor is attached, the TPA0132 generates an internal clock. An external clock can override the internal clock input to this terminal. |
| GND | 1, 12 13, 24 | I | Ground connection for circuitry. Connected to thermal pad |
| LHPIN | 6 | I | Left channel headphone input, selected when SE/ $\overline{\text{BTL}}$ is held high |
| LIN | 10 | I | Common left input for fully differential input. AC ground for single-ended inputs. |
| LLINEIN | 5 | I | Left channel line negative input, selected when SE/ $\overline{\text{BTL}}$ is held low |
| LOUT+ | 4 | O | Left channel positive output in $\overline{\text{BTL}}$ mode and positive output in SE mode |
| LOUT- | 9 | O | Left channel negative output in $\overline{\text{BTL}}$ mode and high-impedance in SE mode |
| PCB ENABLE | 2 | I | If this terminal is high, the detection circuitry for PC-BEEP is overridden and passes PC-BEEP through the amplifier, regardless of its amplitude. If PCB ENABLE is floating or low, the amplifier continues to operate normally. |
| PC-BEEP | 14 | I | The input for PC-BEEP mode. PC-BEEP is enabled when a > 1.5-V (peak-to-peak) square wave is input to PC-BEEP or PCB ENABLE is high. |
| PV _{DD} | 7, 18 | I | Power supply for output stage |
| RHPIN | 20 | I | Right channel headphone input, selected when SE/ $\overline{\text{BTL}}$ is held high |
| RIN | 8 | I | Common right input for fully differential input. AC ground for single-ended inputs. |
| RLINEIN | 23 | I | Right channel line input, selected when SE/ $\overline{\text{BTL}}$ is held low |
| ROUT+ | 21 | O | Right channel positive output in $\overline{\text{BTL}}$ mode and positive output in SE mode |
| ROUT- | 16 | O | Right channel negative output in $\overline{\text{BTL}}$ mode and high-impedance in SE mode |
| SE/ $\overline{\text{BTL}}$ | 15 | I | Input and output MUX control. When this terminal is held high, the LHPIN or RHPIN and SE output is selected. When this terminal is held low, the LLINEIN or RLINEIN and $\overline{\text{BTL}}$ output are selected. |
| $\overline{\text{SHUTDOWN}}$ | 22 | I | When held low, this terminal places the entire device, except PC-BEEP detect circuitry, in shutdown mode. |
| V _{DD} | 19 | I | Analog V _{DD} input supply. This terminal needs to be isolated from PV _{DD} to achieve highest performance. |
| VOLUME | 3 | I | VOLUME detects the dc level at the terminal and sets the gain for 31 discrete steps covering a range of 20 dB to -40 dB for dc levels of 0.15 V to 3.54 V. When the dc level is over 3.54 V, the device is muted. |
| Thermal Pad | | | Connect to ground. Must be soldered down in all applications to properly secure device on PC board. |

ABSOLUTE MAXIMUM RATINGS ⁽¹⁾

over operating free-air temperature range (unless otherwise noted)

| | |
|--|---|
| Supply voltage, V _{DD} | 6 V |
| Input voltage, V _I | -0.3 V to V _{DD} 0.3 V |
| Continuous total power dissipation | Internally limited (see Dissipation Rating Table) |
| Operating free-air temperature range, T _A | -40°C to 85°C |
| Operating junction temperature range, T _J | -40°C to 150°C |
| Storage temperature range, T _{stg} | -65°C to 85°C |
| Lead temperature 1,6 mm (1/16 inch) from case for 10 seconds | 260°C |

- (1) Stresses beyond those listed under "absolute maximum ratings" may cause permanent damage to the device. These are stress ratings only, and functional operation of the device at these or any other conditions beyond those indicated under "recommended operating conditions" is not implied. Exposure to absolute-maximum-rated conditions for extended periods may affect device reliability.

DISSIPATION RATING TABLE

| PACKAGE | $T_A \leq 25^\circ\text{C}$ | DERATING FACTOR | $T_A = 70^\circ\text{C}$ | $T_A = 85^\circ\text{C}$ |
|---------|-----------------------------|-----------------|--------------------------|--------------------------|
| PWP | 2.7 W ⁽¹⁾ | 21.8 mW/°C | 1.7 W | 1.4 W |

- (1) See the Texas Instruments document, *PowerPAD Thermally Enhanced Package Application Report* (SLMA002), for more information on the PowerPAD™ package. The thermal data was measured on a PCB layout based on the information in the section entitled *Texas Instruments Recommended Board for PowerPAD™* on page 33 of the before mentioned document.

RECOMMENDED OPERATING CONDITIONS

| | | MIN | MAX | UNIT |
|---------------------------------------|------------|---------------------|-----|------|
| Supply voltage, V_{DD} | | 4.5 | 5.5 | V |
| High-level input voltage, V_{IH} | SE/BTL | $0.8 \times V_{DD}$ | | V |
| | SHUTDOWN | 2 | | |
| | PCB ENABLE | $0.6 \times V_{DD}$ | | |
| Low-level input voltage, V_{IL} | SE/BTL | $0.6 \times V_{DD}$ | | V |
| | SHUTDOWN | 0.8 | | |
| | PCB ENABLE | $0.4 \times V_{DD}$ | | |
| Operating free-air temperature, T_A | | -40 | 85 | °C |

ELECTRICAL CHARACTERISTICS

at specified free-air temperature, $V_{DD} = 5\text{ V}$, $T_A = 25^\circ\text{C}$ (unless otherwise noted)

| PARAMETER | | TEST CONDITIONS | MIN | TYP | MAX | UNIT |
|--------------|--|--|-----|-----|-----|------|
| $ V_{OO} $ | Output offset voltage (measured differentially) | $V_I = 0\text{ V}$, $A_V = 6\text{ dB}$ | | | 35 | mV |
| PSRR | Power supply rejection ratio | $V_{DD} = 4.9\text{ V}$ to 5.1 V | | 67 | | dB |
| $ I_{IH} $ | High-level input current - SHUTDOWN, SE/BTL, VOLUME | $V_{DD} = 5.5\text{ V}$, $V_I = V_{DD}$ | | | 900 | nA |
| | High-level input current - PCB ENABLE | $V_{DD} = 5.5\text{ V}$, $V_I = V_{DD}$ | | | 125 | μA |
| $ I_{IL} $ | Low-level input current - SHUTDOWN, SE/BTL, VOLUME, PCB ENABLE | $V_{DD} = 5.5\text{ V}$, $V_I = 0\text{ V}$ | | | 900 | nA |
| I_{DD} | Supply current | BTL mode, SHUTDOWN = 2 V, SE/BTL = $0.6 \times V_{DD}$ | | 10 | 15 | mA |
| | | SE mode, SHUTDOWN = 2 V, SE/BTL = $0.8 \times V_{DD}$ | | 5 | 7.5 | |
| $I_{DD(SD)}$ | Supply current, shutdown mode | SHUTDOWN = 0 V, SE/BTL = 0 V | | 150 | 300 | μA |

OPERATING CHARACTERISTICS

$V_{DD} = 5\text{ V}$, $T_A = 25^\circ\text{C}$, $R_L = 4\ \Omega$, Gain = 2 V/V, BTL mode (unless otherwise noted)

| PARAMETER | | TEST CONDITIONS | | MIN | TYP | MAX | UNIT |
|-----------|--------------------------------------|--|-----------|-----|------|-----|-------------------|
| P_O | Output power | $R_L = 3\ \Omega$, $f = 1\text{ kHz}$ | THD = 10% | | 2.8 | | W |
| | | | THD = 1% | | 2.3 | | W |
| THD+N | Total harmonic distortion plus noise | $P_O = 1\text{ W}$, $f = 20\text{ Hz}$ to 15 kHz | | | 0.4% | | |
| B_{OM} | Maximum output power bandwidth | THD = 5% | | | >15 | | kHz |
| | Supply ripple rejection ratio | $f = 1\text{ kHz}$, $C_{(BYP)} = 0.47\ \mu\text{F}$ | BTL mode | | -65 | | dB |
| | | | SE mode | | -60 | | |
| V_n | Noise output voltage | $C_{(BYP)} = 0.47\ \mu\text{F}$, $f = 20\text{ Hz}$ to 20 kHz | BTL mode | | 42 | | μV _{RMS} |
| | | | SE mode | | 44 | | |

TYPICAL CHARACTERISTICS

Table of Graphs

| | | FIGURE | |
|-------|--------------------------------------|------------------------|----------------|
| THD+N | Total harmonic distortion plus noise | vs Output power | 1, 4, 6, 8, 10 |
| | | vs Voltage gain | 2 |
| | | vs Frequency | 3, 5, 7, 9, 11 |
| | | vs Output voltage | 12 |
| V_n | Output noise voltage | vs Frequency | 13 |
| | Supply ripple rejection ratio | vs Frequency | 14, 15 |
| | Crosstalk | vs Frequency | 16, 17, 18 |
| | Shutdown attenuation | vs Frequency | 19 |
| | SNR | Signal-to-noise ratio | vs Frequency |
| | Closed loop response | | 21, 22 |
| P_O | Output power | vs Load resistance | 23, 24 |
| P_D | Power dissipation | vs Output power | 25, 26 |
| | | vs Ambient temperature | 27 |
| Z_i | Input impedance | vs Gain | 28 |

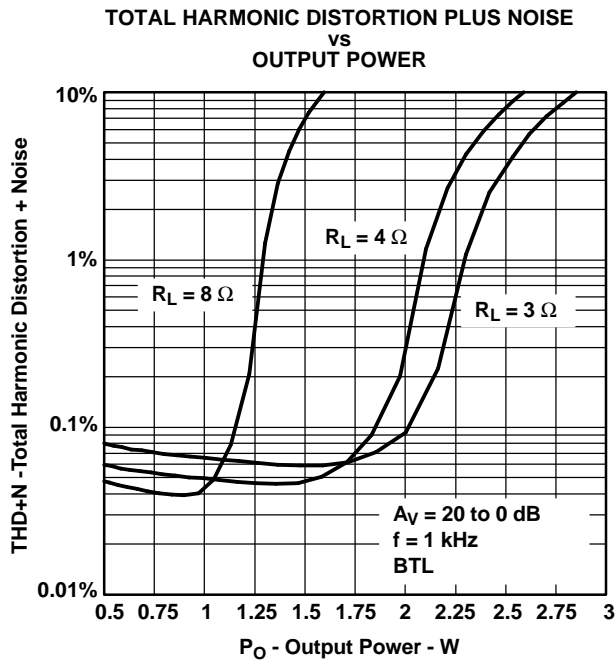


Figure 1.

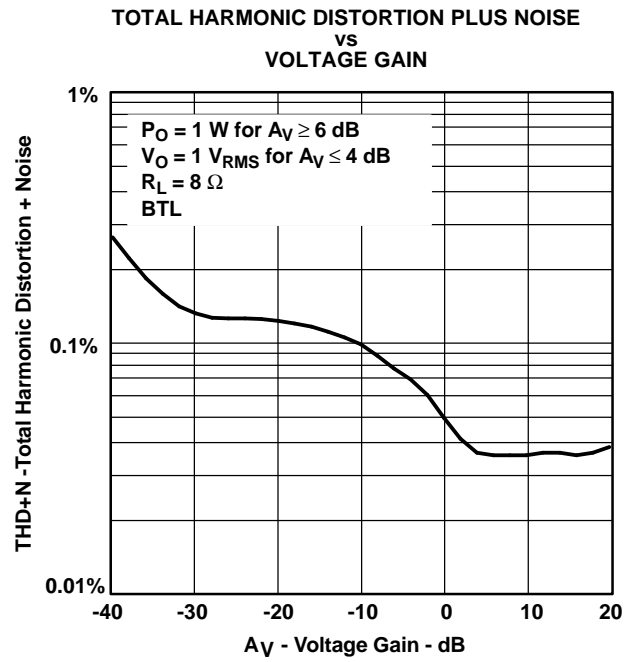


Figure 2.

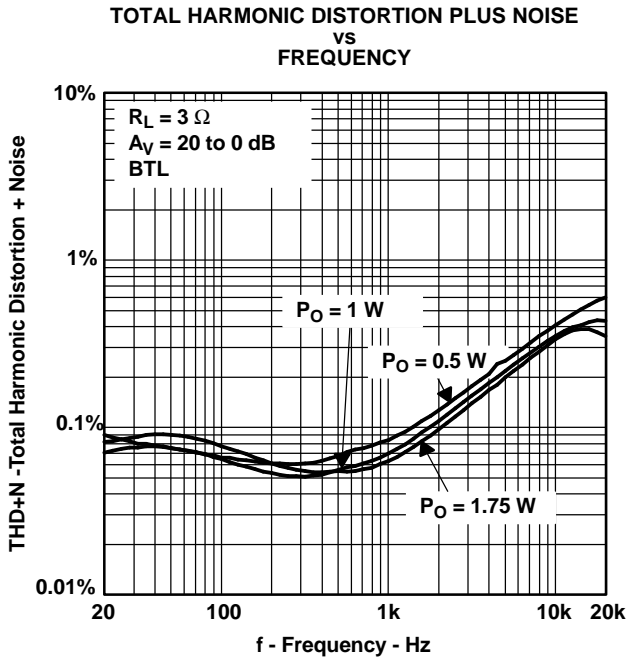


Figure 3.

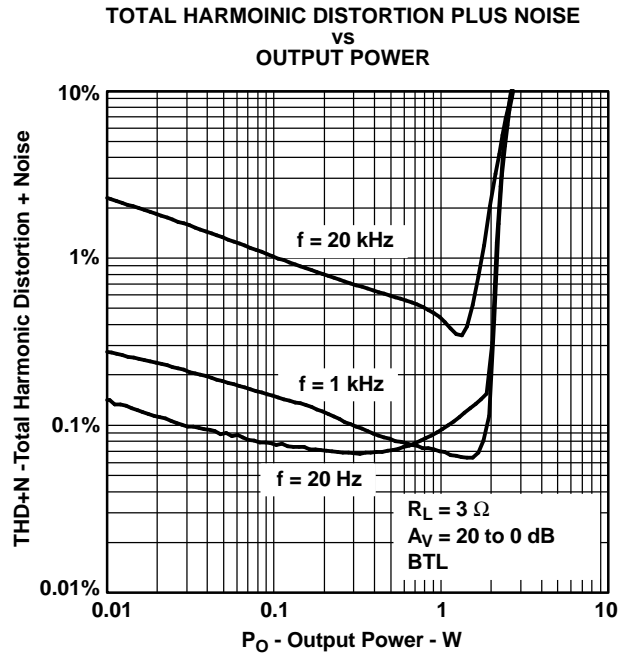


Figure 4.

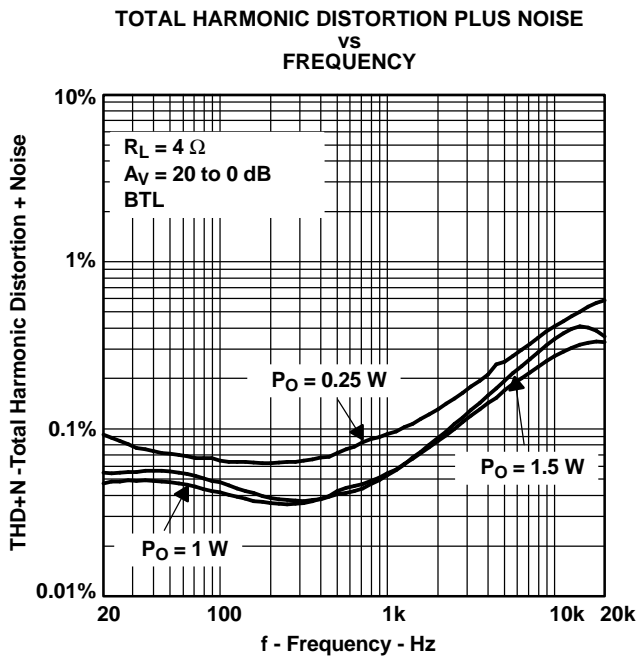


Figure 5.

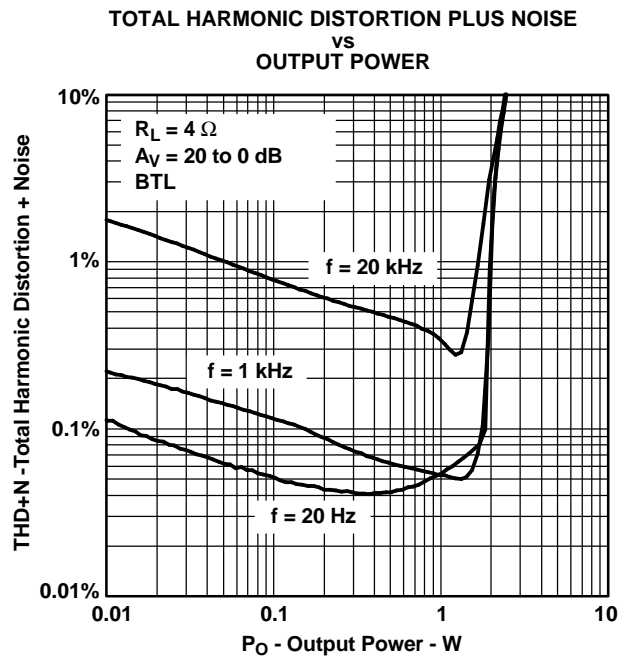


Figure 6.

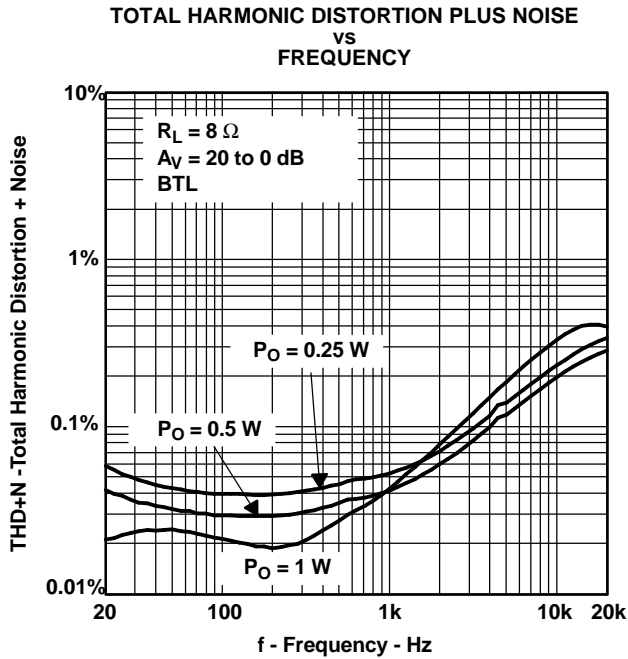


Figure 7.

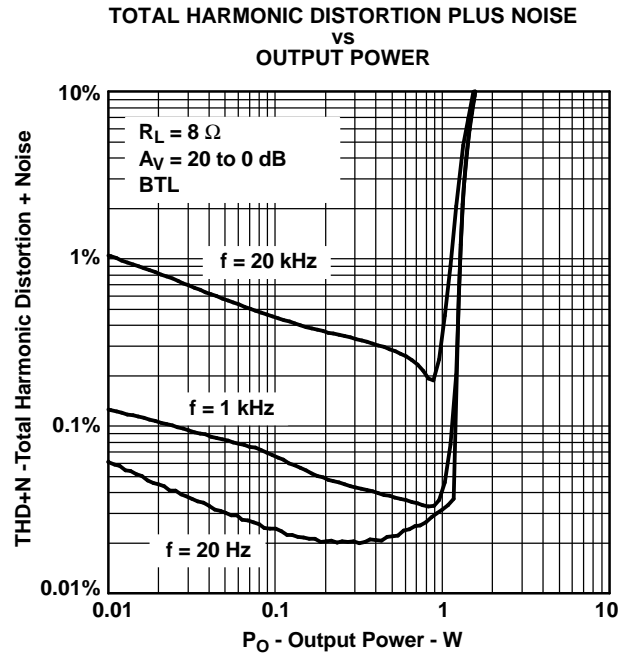


Figure 8.

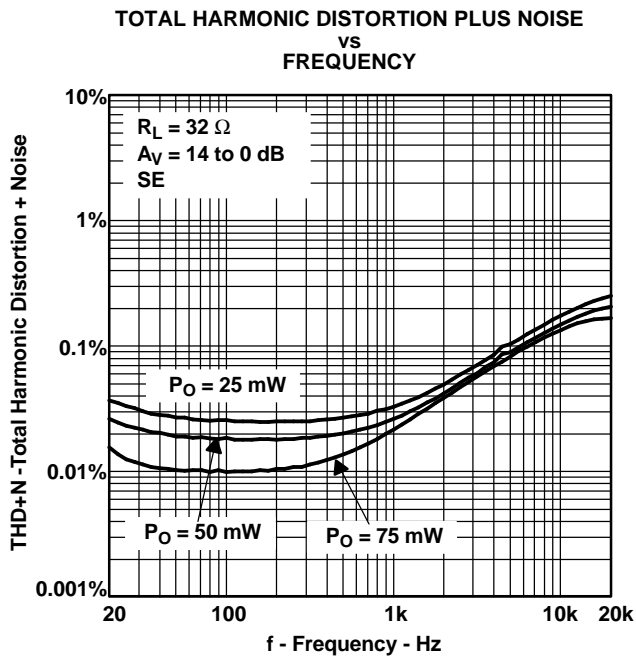


Figure 9.

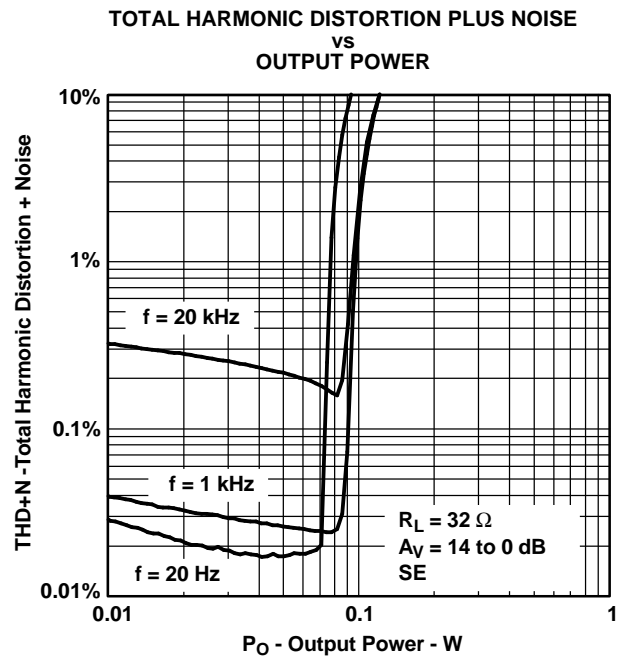


Figure 10.

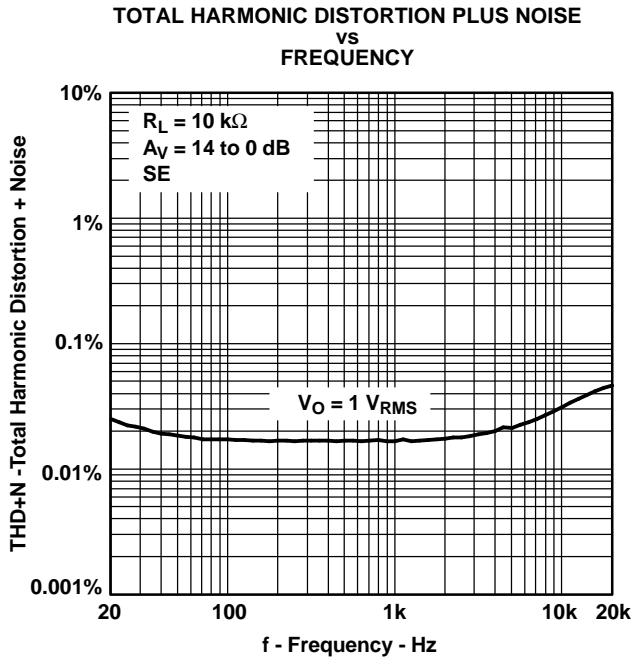


Figure 11.

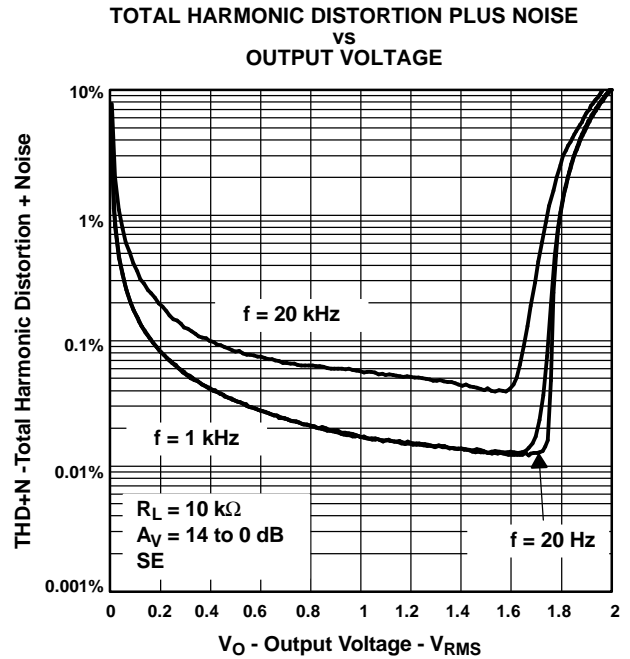


Figure 12.

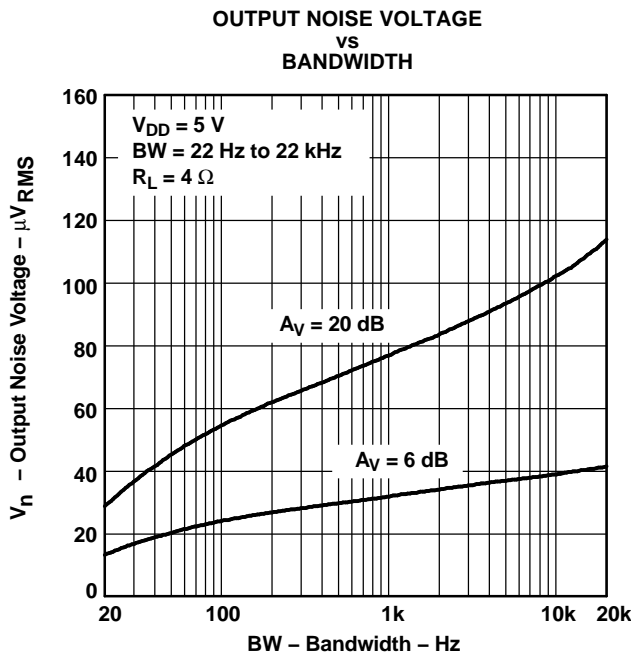


Figure 13.

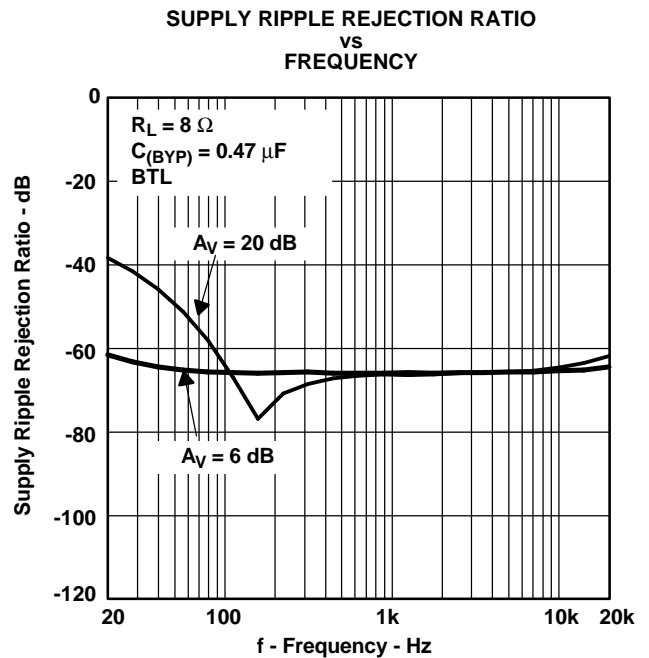


Figure 14.

**SUPPLY RIPPLE REJECTION RATIO
VS
FREQUENCY**

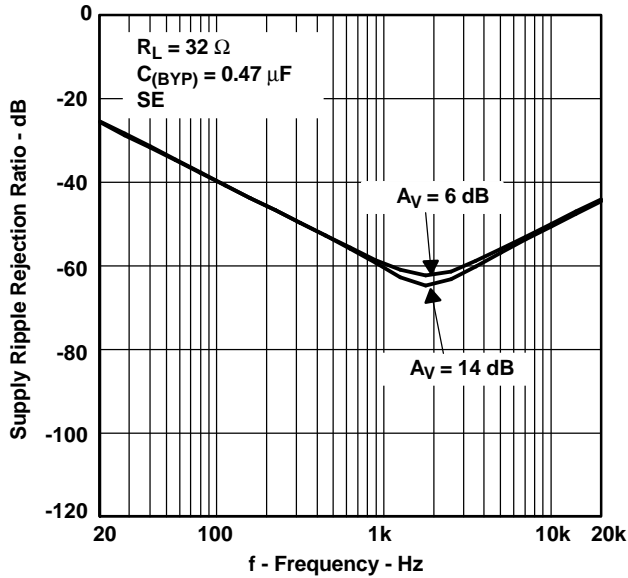


Figure 15.

**CROSSTALK
VS
FREQUENCY**

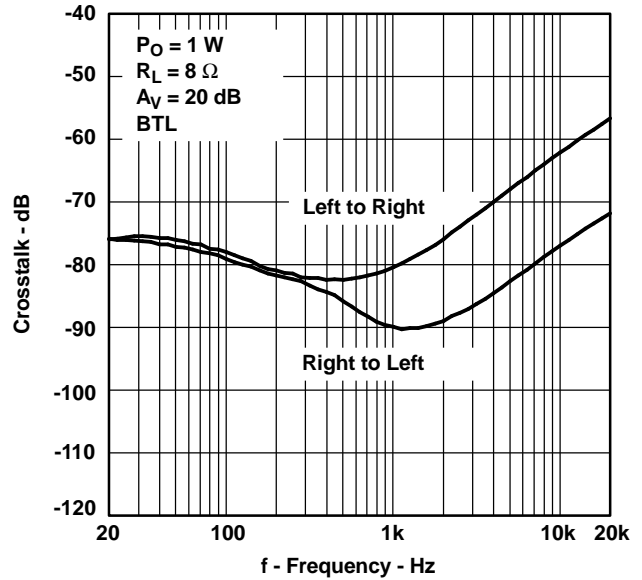


Figure 16.

**CROSSTALK
VS
FREQUENCY**

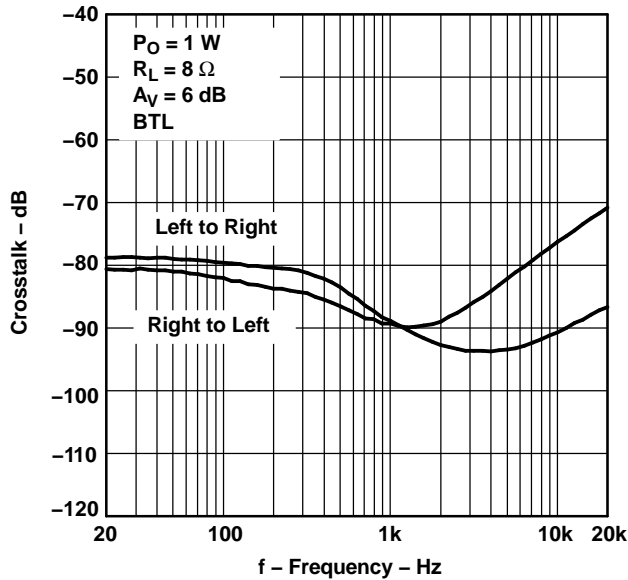


Figure 17.

**CROSSTALK
VS
FREQUENCY**

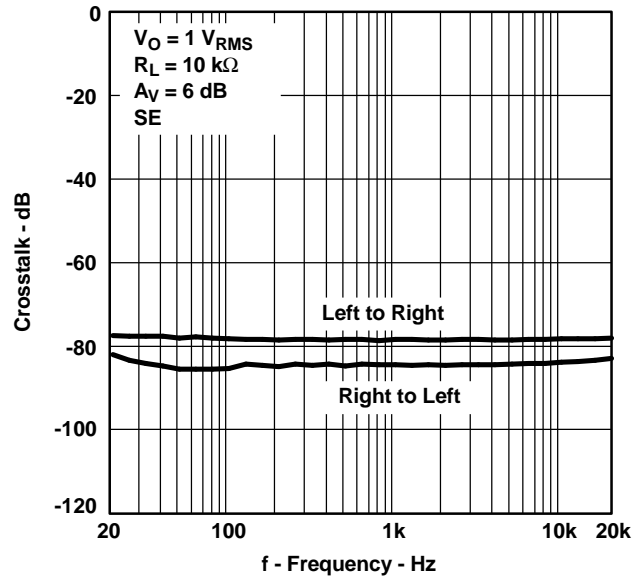


Figure 18.

SHUTDOWN ATTENUATION
VS
FREQUENCY

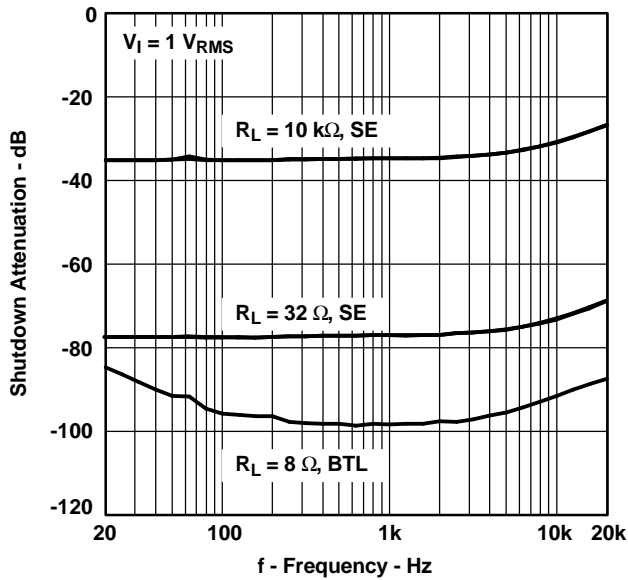


Figure 19.

SIGNAL-TO-NOISE RATIO
VS
FREQUENCY

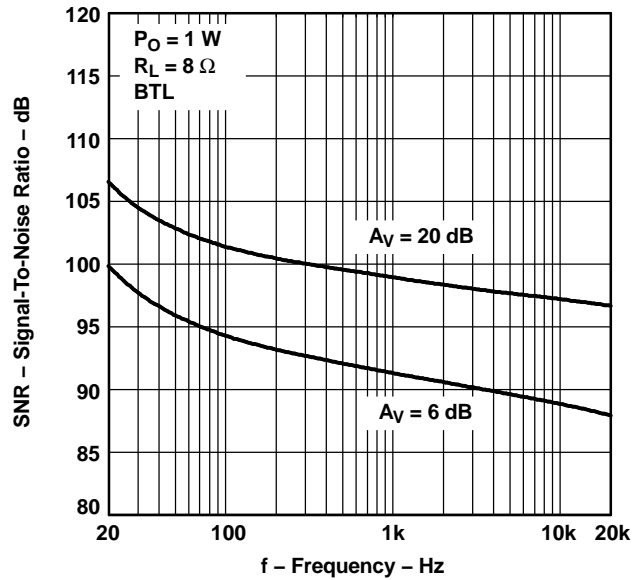


Figure 20.

CLOSED LOOP RESPONSE

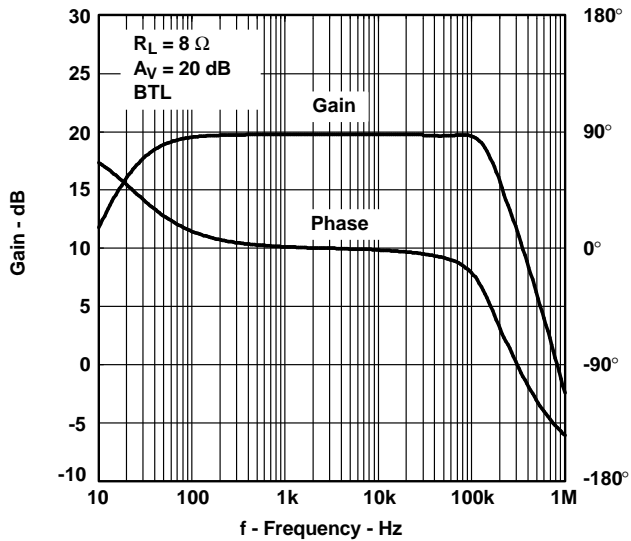


Figure 21.

CLOSED LOOP RESPONSE

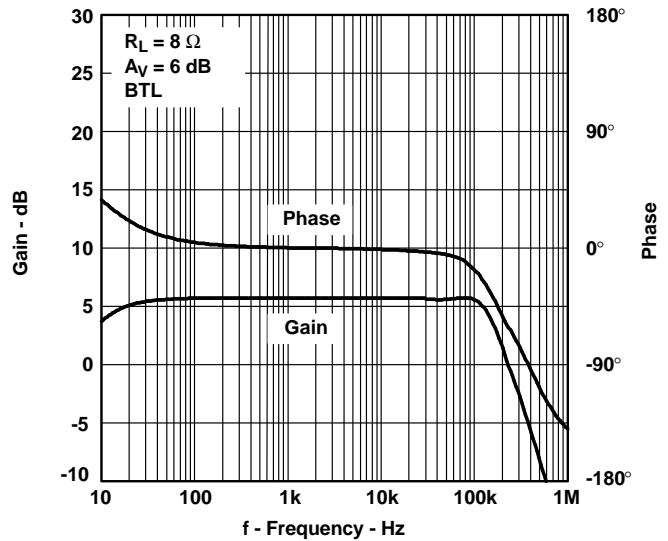
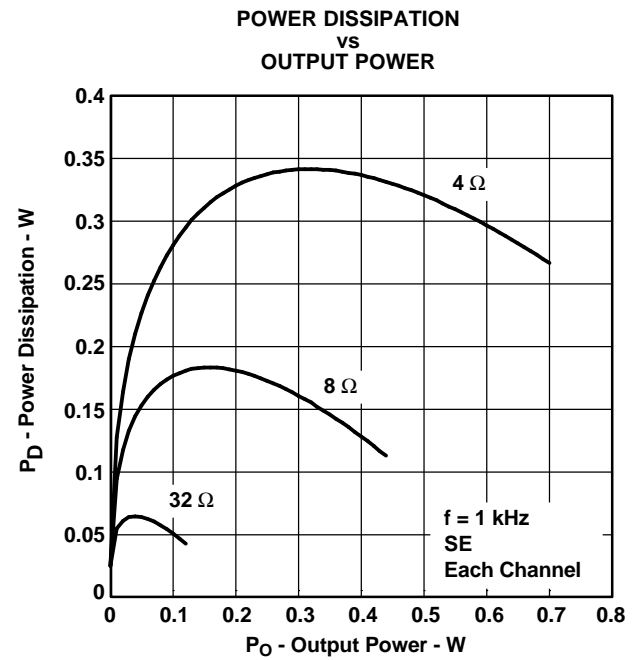
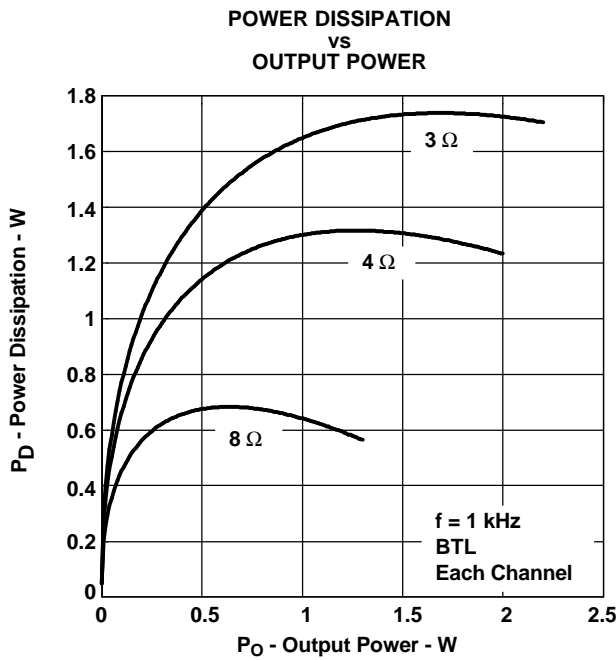
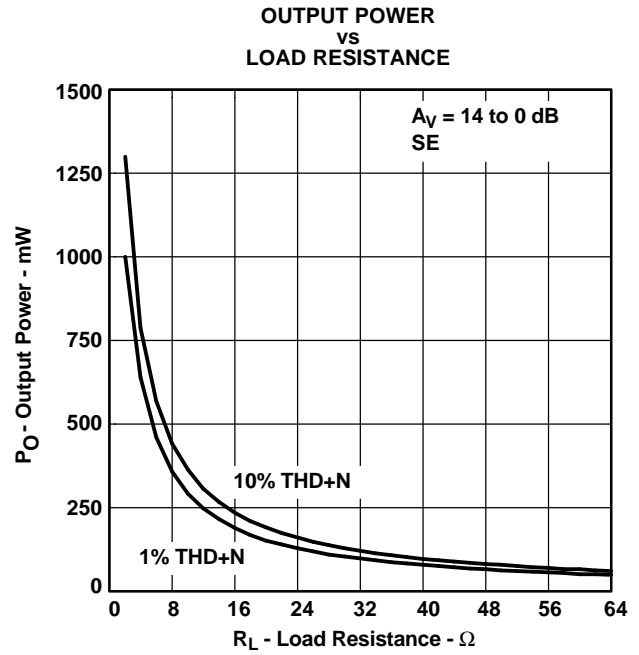
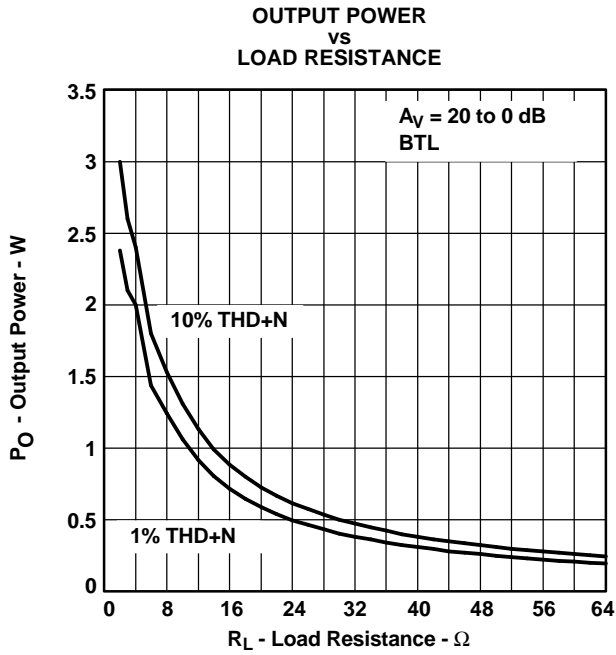
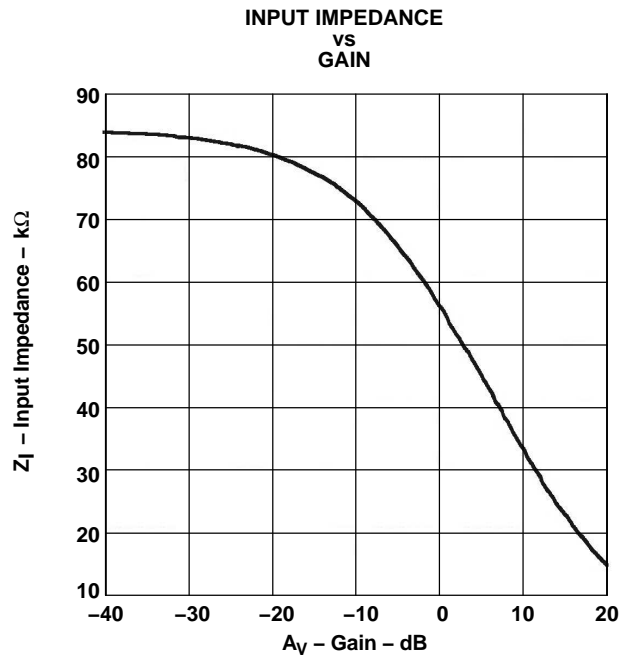
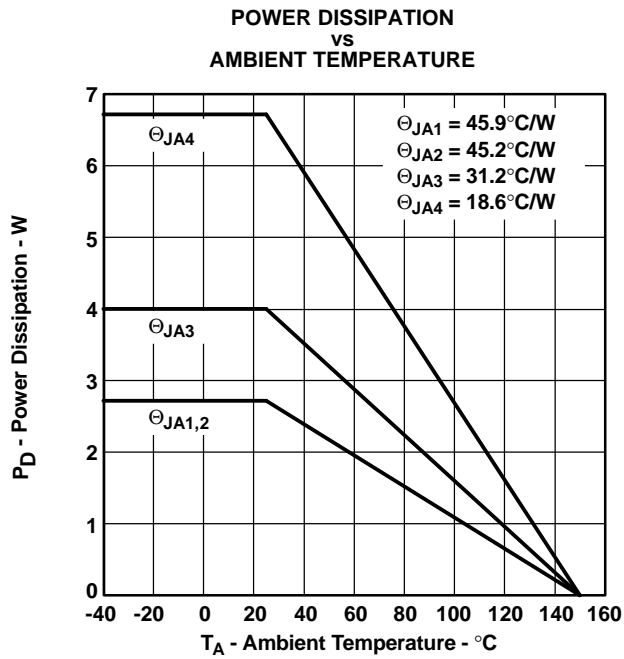


Figure 22.





Volume Control Characteristics

Table 1. Typical DC Volume Control⁽¹⁾

| VOLUME (Terminal 3) | | TYPICAL GAIN of AMPLIFIER (dB) ⁽²⁾ |
|--|------------------------------|---|
| VOLTAGE INCREASING OR FIXED GAIN (V) | VOLTAGE DECREASING (V) | |
| 0-0.27 | 0.16-0 | 20 |
| 0.28-0.37 | 0.28-0.17 | 18 |
| 0.38-0.48 | 0.39-0.29 | 16 |
| 0.49-0.58 | 0.50-0.40 | 14 |
| 0.59-0.69 | 0.61-0.51 | 12 |
| 0.70-0.80 | 0.72-0.62 | 10 |
| 0.81-0.91 | 0.84-0.73 | 8 |
| 0.92-1.02 | 0.95-0.85 | 6 |
| 1.03-1.13 | 1.06-0.96 | 4 |
| 1.14-1.24 | 1.17-1.07 | 2 |
| 1.25-1.35 | 1.29-1.18 | 0 |
| 1.36-1.46 | 1.40-1.30 | -2 |
| 1.47-1.58 | 1.51-1.41 | -4 |
| 1.59-1.68 | 1.62-1.52 | -6 |
| 1.69-1.79 | 1.73-1.63 | -8 |
| 1.80-1.90 | 1.84-1.74 | -10 |
| 1.91-2.01 | 1.96-1.85 | -12 |
| 2.02-2.12 | 2.06-1.97 | -14 |
| 2.13-2.23 | 2.18-2.07 | -16 |
| 2.24-2.34 | 2.29-2.19 | -18 |
| 2.35-2.45 | 2.41-2.30 | -20 |
| 2.46-2.56 | 2.52-2.42 | -22 |
| 2.57-2.67 | 2.62-2.53 | -24 |
| 2.68-2.78 | 2.74-2.63 | -26 |
| 2.79-2.90 | 2.86-2.75 | -28 |
| 2.91-3.01 | 2.97-2.87 | -30 |
| 3.02-3.12 | 3.07-2.98 | -32 |
| 3.13-3.23 | 3.19-3.08 | -34 |
| 3.24-3.33 | 3.29-3.20 | -36 |
| 3.34-3.44 | 3.40-3.30 | -38 |
| 3.45-3.55 | 3.53-3.41 | -40 |
| 3.56-5.00 | 5.00-3.54 | -85 |

- (1) Each step is tested at its midpoint and characterized within ± 4 dB of the specified gain value for $V_{DD} = 5$ V. For $V_{DD} = 4.5$ V to 5.5 V, multiply values by 90% and 110%, respectively.
- (2) 95% of the characterized values lie within ± 0.5 dB of the specified gain value. Figure 29 shows the typical behavior of most devices.

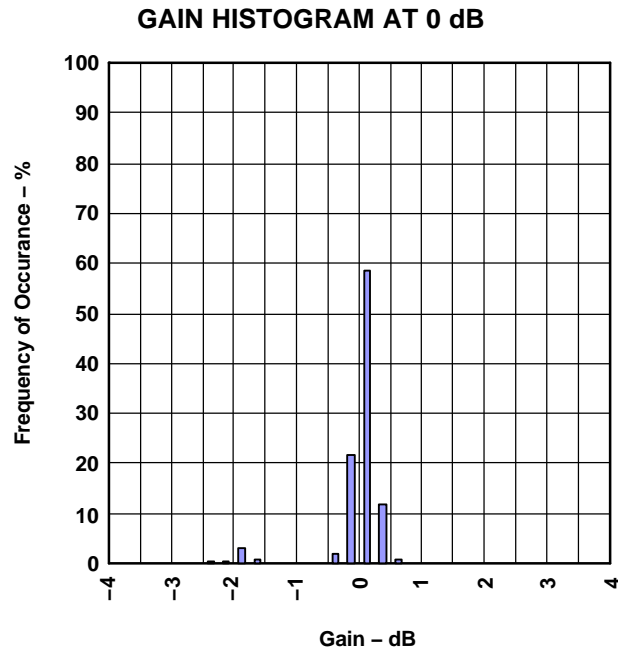
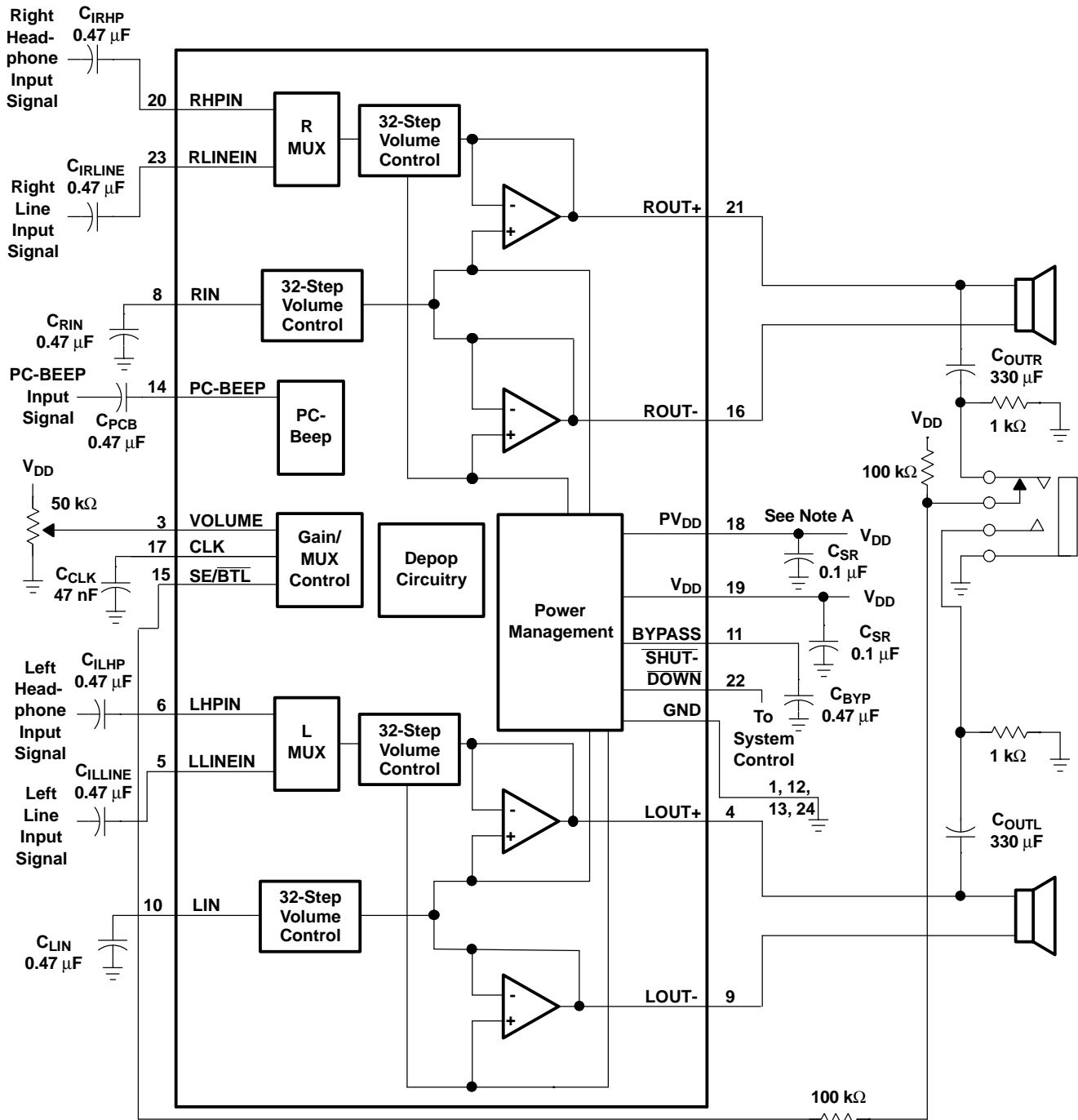


Figure 29. Typical Gain Variance

APPLICATION INFORMATION

COMPONENT SELECTION

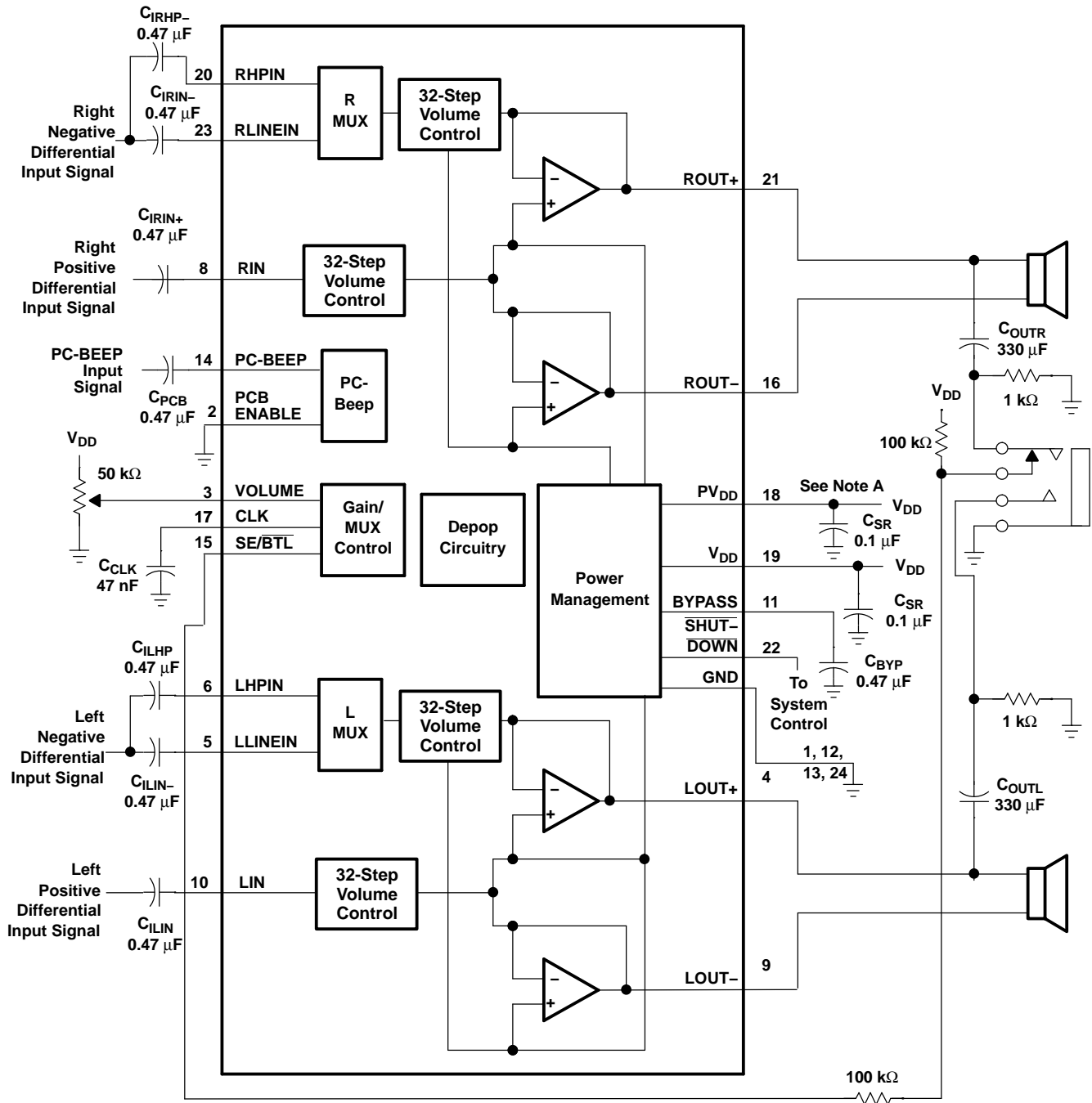
Figure 30 and Figure 31 are schematic diagrams of typical notebook computer application circuits.



NOTE: A 0.1-μF ceramic capacitor should be placed as close as possible to the IC. For filtering lower-frequency noise signals, a larger electrolytic capacitor of 10 μF or greater should be placed near the audio power amplifier.

Figure 30. Typical TPA0132 Application Circuit Using Single-Ended Inputs and Input MUX

APPLICATION INFORMATION (continued)



NOTE: A 0.1-μF ceramic capacitor should be placed as close as possible to the IC. For filtering lower-frequency noise signals, a larger electrolytic capacitor of 10 μF or greater should be placed near the audio power amplifier.

Figure 31. Typical TPA0132 Application Circuit Using Differential Inputs

APPLICATION INFORMATION (continued)

VOLUME CONTROL OPERATION

The VOLUME pin controls the volume of the TPA0132. It is controlled with a dc voltage, which should not exceed V_{DD} . The gain voltages on the VOLUME pin are given in the Typical Characteristics section.

The trip point, where the gain actually changes, is different depending on whether the voltage on the VOLUME terminal is increasing or decreasing as a result of hysteresis about each trip point. The hysteresis ensures that the gain control is monotonic and does not oscillate from one gain step to another. A pictorial representation of the volume control can be found in Figure 32. The graph focuses on three gain steps with the trip points defined in the first and second columns of the Typical DC Volume Control table. The dotted lines represent the hysteresis about each gain step.

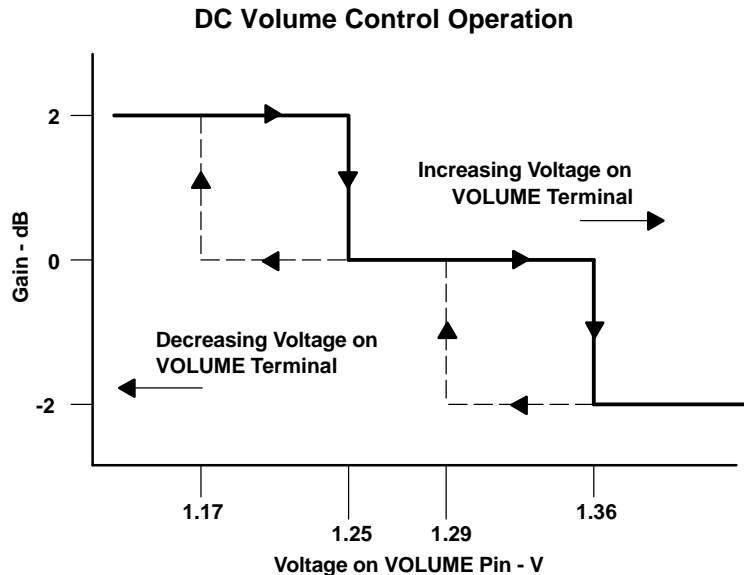


Figure 32.

INPUT RESISTANCE

The gain is set by varying the input resistance of the amplifier, which can range from its smallest value to over six times that value. As a result, if a single capacitor is used in the input high pass filter, the -3 dB or cut-off frequency also changes by over six times. Connecting an additional resistor from the input pin of the amplifier to ground, as shown in Figure 33, reduces the cutoff-frequency variation.

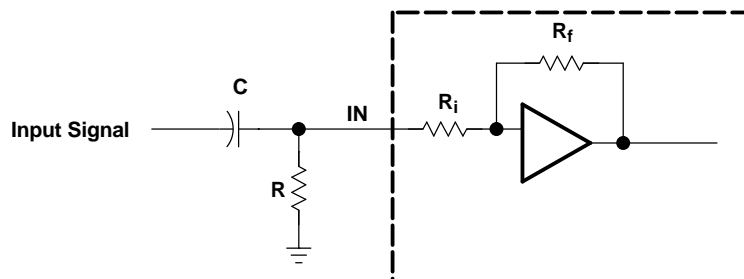


Figure 33. Resistor on Input for Cut-Off Frequency

The input resistance at each gain setting is given in the graph for Input Impedance vs Gain in the Typical Characteristics section.

The -3 -dB frequency can be calculated using Equation 1.

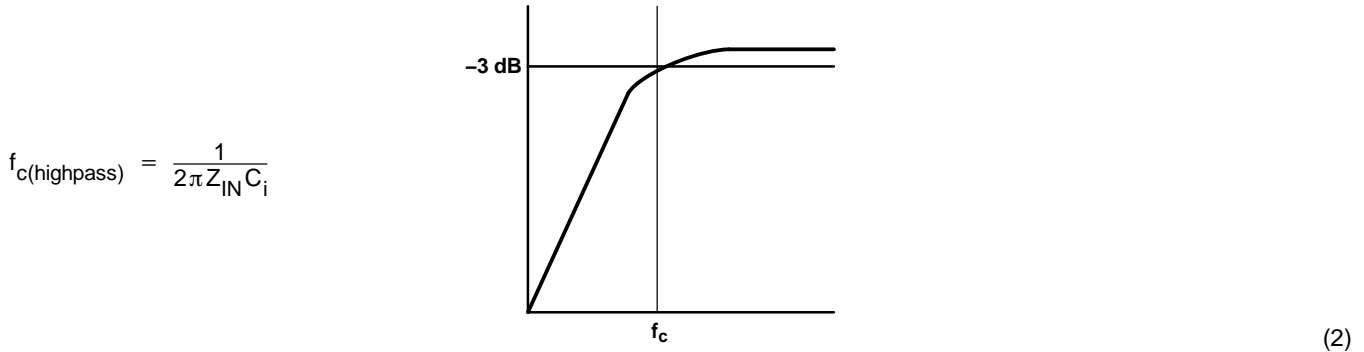
APPLICATION INFORMATION (continued)

$$f_{-3\text{ dB}} = \frac{1}{2\pi C(R \parallel R_i)} \quad (1)$$

To increase filter accuracy, increase the value of the capacitor and decrease the value of the resistor to ground. In addition, the order of the filter can be increased.

INPUT CAPACITOR, C_i

In a typical application, an input capacitor (C_i) is required to allow the amplifier to bias the input signal to the proper dc level for optimum operation. In this case, C_i and the input impedance of the amplifier (Z_i) form a high-pass filter with the corner frequency determined by Equation 2.



The value of C_i directly affects the bass (low frequency) performance of the circuit. Consider the example where Z_i is 55 k Ω and the specification calls for a flat bass response down to 30 Hz. Equation 2 is reconfigured as Equation 3.

$$C_i = \frac{1}{2\pi Z_i f_c} \quad (3)$$

In this example, C_i is 72 nF, so one would likely choose a value in the range of 0.1 μF to 1 μF . A further consideration for this capacitor is the leakage path from the input source through the input network (C_i) and the feedback network to the load. This leakage current creates a dc offset voltage at the input to the amplifier that reduces useful headroom, especially in high-gain applications. For this reason a low-leakage tantalum or ceramic capacitor is the best choice. When polarized capacitors are used, connect the positive lead of the capacitor to the amplifier input in most applications, as the dc level there is held at $V_{\text{DD}}/2$, typically higher than the source dc level. Note that it is important to confirm the capacitor polarity in the application.

POWER SUPPLY DECOUPLING, $C_{(S)}$

This high-performance CMOS audio amplifier requires adequate power-supply decoupling to minimize output total harmonic distortion (THD). Power-supply decoupling also prevents oscillations with long lead lengths between the amplifier and the speaker. Optimum decoupling is achieved by using two capacitors of different types that target different types of noise on the power-supply leads. To filter high-frequency transients, spikes, or digital hash on the line, a good low equivalent-series-resistance (ESR) ceramic capacitor, typically 0.1 μF , placed as close as possible to the device V_{DD} lead, works best. For filtering low-frequency noise signals, an aluminum electrolytic capacitor of 10 μF or greater placed near the audio power amplifier is recommended.

MIDRAIL BYPASS CAPACITOR, $C_{(\text{BYP})}$

The midrail bypass capacitor, $C_{(\text{BYP})}$, is the most critical capacitor and serves several important functions. During startup or recovery from shutdown mode, $C_{(\text{BYP})}$ determines the rate at which the amplifier starts up. The second function is to reduce power-supply noise coupling into the output drive signal. This noise is from the midrail generation circuit internal to the amplifier, and appears as degraded PSRR and THD+N.

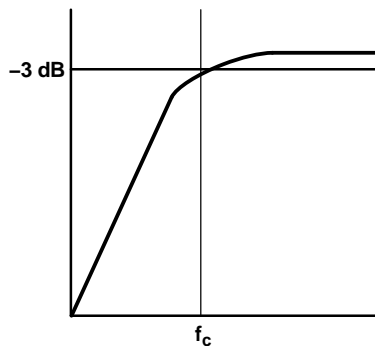
Bypass capacitor ($C_{(\text{BYP})}$) values of 0.47- μF to 1- μF , and ceramic or tantalum low-ESR capacitors are recommended for best THD and noise performance.

APPLICATION INFORMATION (continued)

OUTPUT COUPLING CAPACITOR, $C_{(C)}$

In a typical single-supply SE configuration, an output coupling capacitor ($C_{(C)}$) is required to block the dc bias at the output of the amplifier to prevent dc currents in the load. As with the input coupling capacitor, the output coupling capacitor and impedance of the load form a high-pass filter governed by Equation 4.

$$f_{c(\text{high})} = \frac{1}{2\pi R_L C_{(C)}}$$



(4)

The main disadvantage, from a performance standpoint, is that load impedances are typically small, driving the low-frequency corner higher, degrading the bass response. Large values of $C_{(C)}$ are required to pass low frequencies into the load. Consider the example where a $C_{(C)}$ of 330 μF is chosen and loads include 3 Ω , 4 Ω , 8 Ω , 32 Ω , 10 k Ω , and 47 k Ω . Table 2 summarizes the frequency response characteristics of each configuration.

Table 2. Common Load Impedances Vs Low Frequency Output Characteristics in SE Mode

| R_L | $C_{(C)}$ | LOWEST FREQUENCY |
|-----------------|-------------------|------------------|
| 3 Ω | 330 μF | 161 Hz |
| 4 Ω | 330 μF | 120 Hz |
| 8 Ω | 330 μF | 60 Hz |
| 32 Ω | 330 μF | 15 Hz |
| 10,000 Ω | 330 μF | 0.05 Hz |
| 47,000 Ω | 330 μF | 0.01 Hz |

As Table 2 indicates, most of the bass response is attenuated into a 4- Ω load, an 8- Ω load is adequate, headphone response is good, and drive into line level inputs (a home stereo for example) is exceptional.

USING LOW-ESR CAPACITORS

Low-ESR capacitors are recommended throughout this applications section. A real (as opposed to ideal) capacitor can be modeled simply as a resistor in series with an ideal capacitor. The voltage drop across this resistor minimizes the beneficial effects of the capacitor in the circuit. The lower the equivalent value of this resistance the more the real capacitor behaves like an ideal capacitor.

BRIDGED-TIED LOAD VS SINGLE-ENDED MODE

Figure 34 shows a Class-AB audio power amplifier (APA) in a BTL configuration. The TPA0132 amplifier consists of two Class-AB amplifiers driving both ends of the load. There are several potential benefits to this differential drive configuration, but, initially consider power to the load. The differential drive to the speaker means that as one side is slewing up, the other side is slewing down, and vice versa. This in effect doubles the voltage swing on the load as compared to a ground referenced load. Substituting $2 \times V_{O(PP)}$ into the power equation, where voltage is squared, yields $4\times$ the output power from the same supply rail and load impedance (see Equation 5).

$$V_{(rms)} = \frac{V_{O(PP)}}{2\sqrt{2}}$$

$$\text{Power} = \frac{V_{(rms)}^2}{R_L}$$

(5)

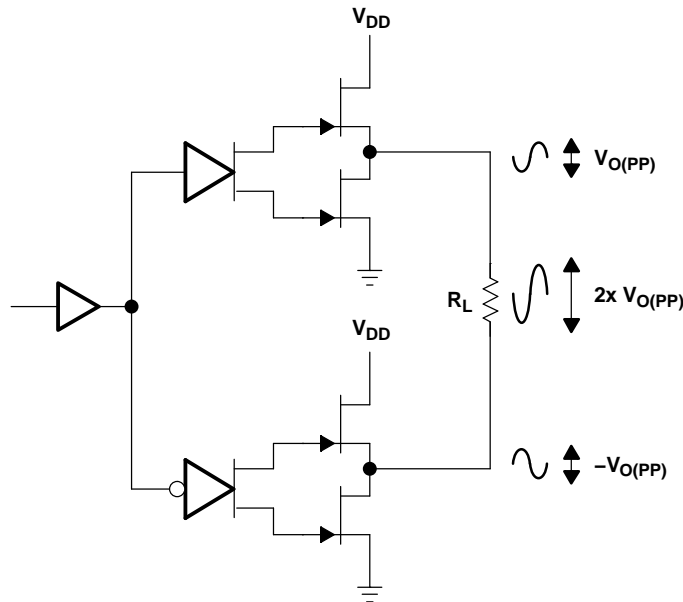


Figure 34. Bridge-Tied Load Configuration

In a typical computer sound channel operating at 5 V, bridging raises the power into an 8-Ω speaker from a singled-ended (SE, ground reference) limit of 250 mW to 1 W. In sound power, this is a 6-dB improvement — loudness that can be heard. In addition to increased power there are frequency-response concerns. Consider the single-supply SE configuration shown in Figure 35. A coupling capacitor is required to block the dc offset voltage from reaching the load. These capacitors can be quite large (approximately 33 μF to 1000 μF), so they tend to be expensive, heavy, occupy valuable PCB area, and have the additional drawback of limiting the low-frequency performance of the system. This frequency-limiting effect is due to the high-pass filter network created with the speaker impedance and the coupling capacitance, and is calculated with Equation 6.

$$f_{(c)} = \frac{1}{2\pi R_L C_{(C)}}$$

(6)

For example, a 68-μF capacitor with an 8-Ω speaker would attenuate low frequencies below 293 Hz. The BTL configuration cancels the dc offsets, eliminating the need for blocking capacitors. Low-frequency performance is then limited only by the input network and speaker response. Cost and PCB space are also minimized by eliminating the bulky coupling capacitor.

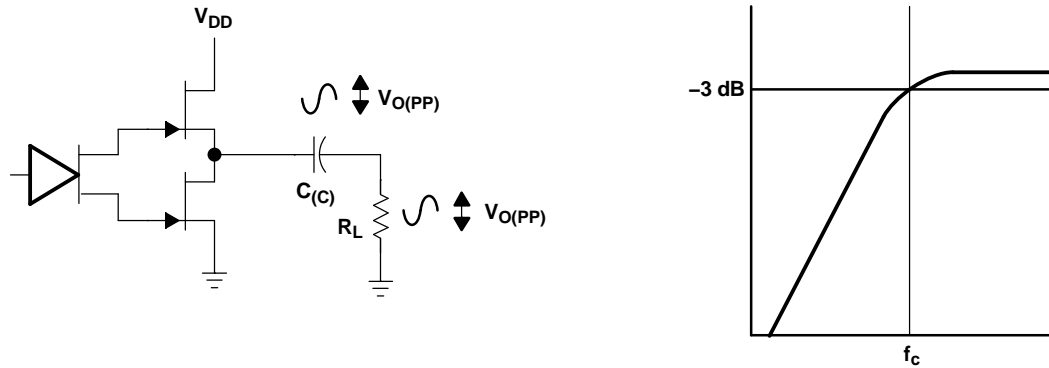


Figure 35. Single-Ended Configuration and Frequency Response

Increasing power to the load does carry a penalty of increased internal power dissipation. The increased dissipation is understandable, since the BTL configuration produces 4× the output power of the SE configuration. Internal dissipation versus output power is discussed further in the *Crest Factor and Thermal Considerations* section.

Single-Ended Operation

In SE mode (see Figure 35), the load is driven from the primary amplifier output for each channel (LOUT+ and ROUT+).

The amplifier switches to single-ended operation when the SE/BTL terminal is held high. This puts the negative outputs in a high-impedance state, and reduces the amplifier's gain by 6 dB.

BTL AMPLIFIER EFFICIENCY

Class-AB amplifiers are inefficient, primarily because of voltage drop across the output-stage transistors. The two components of the internal voltage drop are the headroom or dc voltage drop that varies inversely to output power, and the sine wave nature of the output. The total voltage drop can be calculated by subtracting the RMS value of the output voltage from V_{DD} . The internal voltage drop multiplied by the RMS value of the supply current ($I_{DD(RMS)}$) determines the internal power dissipation of the amplifier.

An easy-to-use equation to calculate efficiency begins as the ratio of power from the power supply to the power delivered to the load. To accurately calculate the RMS and average values of power in the load and in the amplifier, the current and voltage waveforms must be understood (see Figure 36).

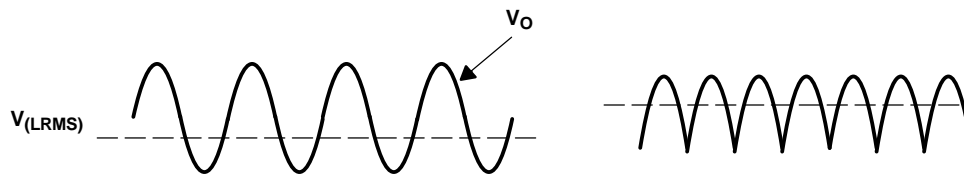


Figure 36. Voltage and Current Waveforms for BTL Amplifiers

Although the voltages and currents for SE and BTL are sinusoidal in the load, currents from the supply are very different between SE and BTL configurations. In an SE application, the current waveform is a half-wave rectified shape, whereas in BTL it is a full-wave rectified waveform. Therefore, RMS conversion factors are different. Keep in mind that for most of the waveform both the push and pull transistors are not on at the same time, which supports the fact that each amplifier in the BTL device only draws current from the supply for half the waveform. Equation 7 and Equation 8 are the basis for calculating amplifier efficiency.

$$\text{Efficiency of a BTL amplifier} = \frac{P_L}{P_{SUP}}$$

Where:

$$P_L = \frac{V_{L\text{rms}}^2}{R_L}, \text{ and } V_{LRMS} = \frac{V_P}{\sqrt{2}}, \text{ therefore, } P_L = \frac{V_P^2}{2R_L}$$

$$\text{and } P_{SUP} = V_{DD} I_{DD\text{avg}} \quad \text{and} \quad I_{DD\text{avg}} = \frac{1}{\pi} \int_0^\pi \frac{V_P}{R_L} \sin(t) dt = -\frac{1}{\pi} \times \frac{V_P}{R_L} [\cos(t)]_0^\pi = \frac{2V_P}{\pi R_L}$$

Therefore,

$$P_{SUP} = \frac{2 V_{DD} V_P}{\pi R_L}$$

substituting P_L and P_{SUP} into equation 7,

$$\text{Efficiency of a BTL amplifier} = \frac{\frac{V_P^2}{2R_L}}{\frac{2V_{DD}V_P}{\pi R_L}} = \frac{\pi V_P}{4V_{DD}}$$

Where:

$$V_P = \sqrt{2 P_L R_L} \tag{7}$$

Therefore,

$$\eta_{BTL} = \frac{\pi \sqrt{2 P_L R_L}}{4 V_{DD}}$$

- P_L = Power delivered to load
 - P_{SUP} = Power drawn from power supply
 - V_{LRMS} = RMS voltage on BTL load
 - R_L = Load resistance
 - V_P = Peak voltage on BTL load
 - $I_{DD\text{avg}}$ = Average current drawn from the power supply
 - V_{DD} = Power supply voltage
 - η_{BTL} = Efficiency of a BTL amplifier
- (8)

Table 3 employs Equation 8 to calculate efficiencies for four different output-power levels. Note that the efficiency of the amplifier is quite low for lower power levels and rises sharply as power to the load is increased resulting in a nearly flat internal power dissipation over the normal operating range. Note that the internal dissipation at full output power is less than in the half-power range. Calculating the efficiency for a specific system is the key to proper power supply design. For a stereo 1-W audio system with 8-Ω loads and a 5-V supply, the maximum draw on the power supply is almost 3.25 W.

Table 3. Efficiency vs Output Power in 5-V, 8-Ω BTL Systems

| OUTPUT POWER (W) | EFFICIENCY (%) | PEAK VOLTAGE (V) | INTERNAL DISSIPATION (W) |
|------------------|----------------|---------------------|--------------------------|
| 0.25 | 31.4 | 2.00 | 0.55 |
| 0.50 | 44.4 | 2.83 | 0.62 |
| 1.00 | 62.8 | 4.00 | 0.59 |
| 1.25 | 70.2 | 4.47 ⁽¹⁾ | 0.53 |

(1) High peak voltages cause the THD to increase.

Table 3 employs Equation 8 to calculate efficiencies for four different output-power levels. Note that the efficiency of the amplifier is quite low for lower power levels and rises sharply as power to the load is increased resulting in a nearly flat internal power dissipation over the normal operating range. Note that the internal dissipation at full output power is less than in the half-power range. Calculating the efficiency for a specific system is the key to proper power supply design. For a stereo 1-W audio system with 8-Ω loads and a 5-V supply, the maximum draw on the power supply is almost 3.25 W.

CREST FACTOR AND THERMAL CONSIDERATIONS

Class-AB power amplifiers dissipate a significant amount of heat in the package under normal operating conditions. A typical music CD requires 12 dB to 15 dB of dynamic range, or headroom, above the average power output, to pass the loudest portions of the signal without distortion. In other words, music typically has a crest factor between 12 dB and 15 dB. When determining the optimal ambient operating temperature, the internal dissipated power at the average output power level must be used. From the data sheet, one can see that when the device is operating from a 5-V supply into a 3-Ω speaker that 4-W peaks are available. Use Equation 9 to convert watts to dB.

$$P_{dB} = 10 \text{Log} \frac{P_W}{P_{ref}} = 10 \text{Log} \frac{4 \text{ W}}{1 \text{ W}} = 6 \text{ dB} \quad (9)$$

Subtracting the headroom restriction to obtain the average listening level without distortion yields:

$$\begin{aligned} 6 \text{ dB} - 15 \text{ dB} &= -9 \text{ dB (15-dB crest factor)} \\ 6 \text{ dB} - 12 \text{ dB} &= -6 \text{ dB (12-dB crest factor)} \\ 6 \text{ dB} - 9 \text{ dB} &= -3 \text{ dB (9-dB crest factor)} \\ 6 \text{ dB} - 6 \text{ dB} &= 0 \text{ dB (6-dB crest factor)} \\ 6 \text{ dB} - 3 \text{ dB} &= 3 \text{ dB (3-dB crest factor)} \end{aligned}$$

Converting dB back into watts:

$$\begin{aligned} P_W &= 10^{P_{dB}/10} \times P_{ref} \\ &= 63 \text{ mW (18-dB crest factor)} \\ &= 125 \text{ mW (15-dB crest factor)} \\ &= 250 \text{ mW (9-dB crest factor)} \\ &= 500 \text{ mW (6-dB crest factor)} \\ &= 1000 \text{ mW (3-dB crest factor)} \\ &= 2000 \text{ mW (0-dB crest factor)} \end{aligned}$$

This is valuable information to consider when estimating the heat-dissipation requirements for the amplifier system. Comparing the worst case, 2 W of continuous power output with a 3-dB crest factor, against 12-dB and 15-dB applications, drastically affects maximum ambient temperature ratings for the system. Using the power dissipation curves for a 5-V, 3-Ω system, the internal dissipation and maximum ambient temperatures are shown in the table below.

Table 4. TPA0132 Power Rating, 5-V, 3-Ω Stereo

| PEAK OUTPUT POWER (W) | AVERAGE OUTPUT POWER | POWER DISSIPATION (W/Channel) | MAXIMUM AMBIENT TEMPERATURE |
|-----------------------|----------------------|-------------------------------|-----------------------------|
| 4 | 2 W (3 dB) | 1.7 | -3°C |
| 4 | 1000 mW (6 dB) | 1.6 | 6°C |
| 4 | 500 mW (9 dB) | 1.3 | 24°C |
| 4 | 250 mW (12 dB) | 1.0 | 51°C |
| 4 | 125 mW (15 dB) | 0.9 | 78°C |
| 4 | 63 mW (18 dB) | 0.6 | 85°C ⁽¹⁾ |

(1) Package limited to 85°C ambient

Table 5. TPA0132 Power Rating, 5-V, 8-Ω Stereo

| PEAK OUTPUT POWER (W) | AVERAGE OUTPUT POWER | POWER DISSIPATION (W/Channel) | MAXIMUM AMBIENT TEMPERATURE ⁽¹⁾ |
|-----------------------|-----------------------------|-------------------------------|--|
| 2.5 | 1250 mW (3-dB crest factor) | 0.53 | 85°C ⁽¹⁾ |
| 2.5 | 1000 mW (4-dB crest factor) | 0.59 | 85°C ⁽¹⁾ |
| 2.5 | 500 mW (7-dB crest factor) | 0.62 | 85°C ⁽¹⁾ |
| 2.5 | 250 mW (10-dB crest factor) | 0.55 | 85°C ⁽¹⁾ |

(1) Package limited to 85°C ambient

The maximum dissipated power (P_{Dmax}) is reached at a much lower output power level for a 3-Ω load than for an 8-Ω load. As a result, the formula in Equation 10 for calculating P_{Dmax} may be used for a 3-Ω application:

$$P_{Dmax} = \frac{2V_{DD}^2}{\pi^2 R_L} \quad (10)$$

However, in the case of an 8-Ω load, the P_{Dmax} occurs at a point well above the normal operating power level. The amplifier may therefore be operated at a higher ambient temperature than required by the P_{Dmax} formula for an 8-Ω load, but do not exceed the maximum ambient temperature of 85°.

The maximum ambient temperature depends on the heatsinking ability of the PCB system. The derating factor for the PWP package is shown in the dissipation rating table. Converting this to θ_{JA} :

$$\theta_{JA} = \frac{1}{\text{Derating Factor}} = \frac{1}{0.022} = 45^\circ\text{C/W} \quad (11)$$

To calculate maximum ambient temperatures, first consider that the numbers from the dissipation graphs are per-channel, so the dissipated heat is doubled for two-channel operation. Given θ_{JA} , the maximum allowable junction temperature, and the total internal dissipation, the maximum ambient temperature can be calculated using Equation 12. The maximum recommended junction temperature for the device is 150°C. The internal dissipation figures are taken from the Power Dissipation vs Output Power graphs.

$$\begin{aligned} T_A \text{ Max} &= T_J \text{ Max} - \theta_{JA} P_D \\ &= 150 - 45(0.6 \times 2) = 96^\circ\text{C (15-dB crest factor)} \end{aligned} \quad (12)$$

NOTE:

Internal dissipation of 0.6 W is estimated for a 2-W system with 15-dB crest factor per channel.

Due to package limitations, the actual T_{AMAX} is 85°C.

The power rating tables show that for some applications, no airflow is required to keep junction temperatures in the specified range. The internal thermal protection turns the device off at junction temperatures higher than 150°C to prevent damage to the IC. The power rating tables in this section were calculated for maximum listening volume without distortion. When the output level is reduced the numbers in the table change significantly. Also, using 8-Ω speakers dramatically increases the thermal performance by increasing amplifier efficiency.

SE/BTL OPERATION

The ability of the TPA0132 to easily switch between BTL and SE modes is one of its most important cost-saving features. This feature eliminates the requirement for an additional headphone amplifier in applications where internal stereo speakers are driven in BTL mode but external headphone or speakers must be accommodated. Two separate internal amplifiers drive $OUT+$ and $OUT-$. The SE/BTL input controls the operation of the follower amplifier that drives $LOUT-$ and $ROUT-$. When SE/BTL is held low, the amplifier is on and the device is in the BTL mode. When SE/BTL is held high, the $OUT-$ amplifiers are in a high output-impedance state, which configures the device outputs as SE drivers from $LOUT+$ and $ROUT+$. I_{DD} is reduced by approximately one-half in SE mode. Control of the SE/BTL input can be from a logic-level CMOS source or, more typically, from a resistor-divider network as shown in Figure 37.

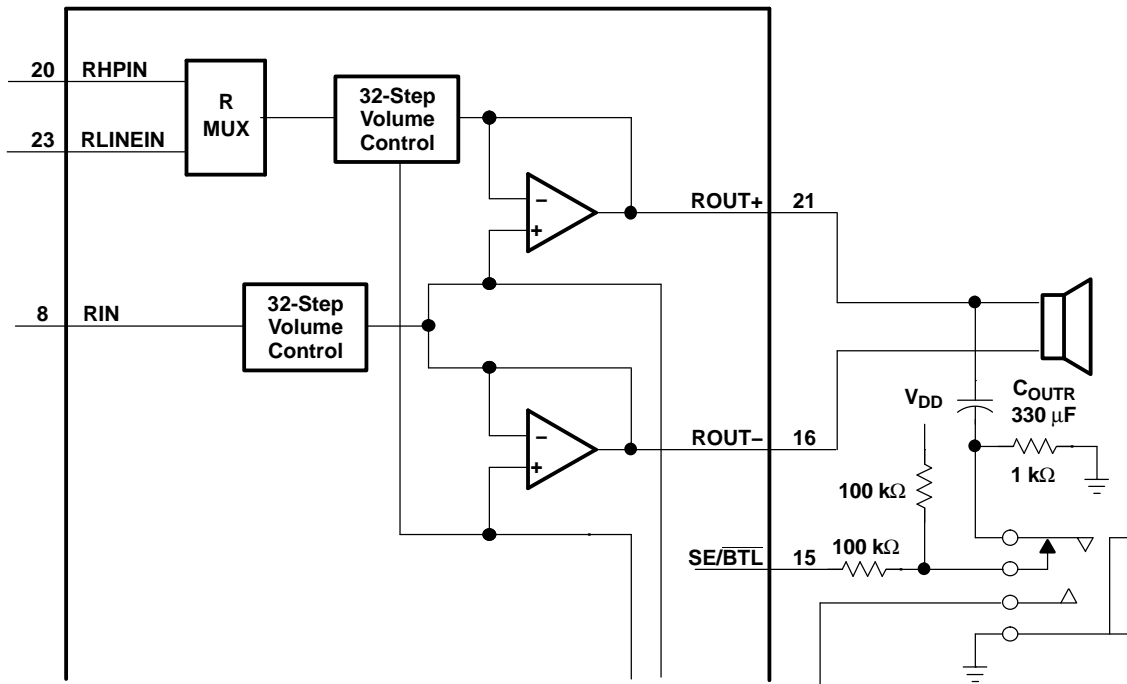


Figure 37. TPA0132 Resistor Divider Network Circuit

Using a readily-available 1/8-in. (3,5 mm) stereo headphone jack, the control switch is closed when no plug is inserted. When closed, the 100-k Ω /1-k Ω divider pulls the SE/BTL input low. When a plug is inserted, the 1-k Ω resistor is disconnected and the SE/BTL input is pulled high. When the input goes high, the $OUT-$ amplifier is shut down, muting the speaker (virtually open-circuits the speaker). The $OUT+$ amplifier then drives through the output capacitor (C_O) into the headphone jack.

PC-BEEP OPERATION

The PC-BEEP input allows a system beep to be sent directly from a computer through the amplifier to the speakers with few external components. The input is activated automatically. When the PC-BEEP input is active, both LINEIN and HPIN inputs are deselected, and both the left and right channels are driven in BTL mode with the signal from PC-BEEP. The gain from the PC-BEEP input to the speakers is fixed at 0.3 V/V and is independent of the volume setting. When the PC-BEEP input is deselected, the amplifier returns to the previous operating mode and volume setting. Furthermore, if the amplifier is in shutdown mode, activating PC-BEEP takes the device out of shutdown, outputs the PC-BEEP signal, then returns the amplifier to shutdown mode.

When PCB ENABLE is held low, the amplifier automatically switches to PC-BEEP mode after detecting a valid signal at the PC-BEEP input. The preferred input signal is a square wave or pulse train. To be accurately detected, the signal must have a minimum of 1.5- V_{pp} amplitude, rise and fall times of less than 0.1 μs and a minimum of eight rising edges. When the signal is no longer detected, the amplifier returns to its previous operating mode and volume setting.

To ac-couple the PC-BEEP input, choose a coupling-capacitor value to satisfy Equation 13.

$$C_{PCB} \geq \frac{1}{2\pi f_{PCB} (100 \text{ k}\Omega)} \tag{13}$$

The PC-BEEP input can also be dc-coupled to avoid using this coupling capacitor. The pin normally rests at midrail when no signal is present.

INPUT MUX OPERATION

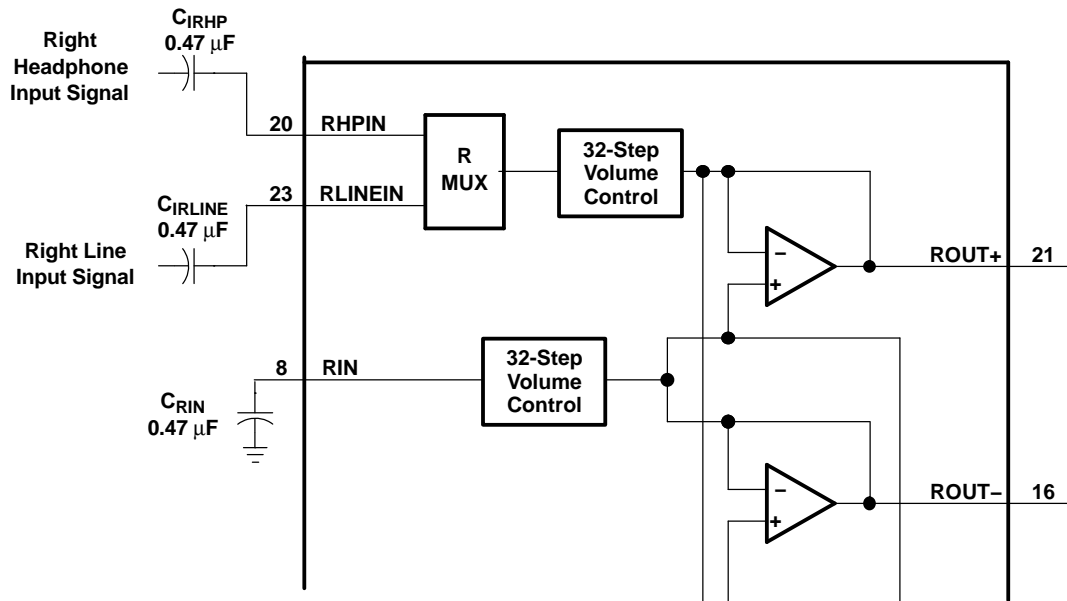


Figure 38. TPA0132 Example Input MUX Circuit

The input MUX provides the user with a means to select from two different audio sources. In BTL mode, the LINE inputs are selected. In SE mode, the HP inputs are selected. R_{IN} and L_{IN} must be grounded in SE mode.

PACKAGING INFORMATION

| Orderable Device | Status ⁽¹⁾ | Package Type | Package Drawing | Pins | Package Qty | Eco Plan ⁽²⁾ | Lead/Ball Finish | MSL Peak Temp ⁽³⁾ |
|------------------|-----------------------|--------------|-----------------|------|-------------|-------------------------|------------------|------------------------------|
| TPA0132PWP | ACTIVE | HTSSOP | PWP | 24 | 60 | None | CU NIPDAU | Level-1-220C-UNLIM |
| TPA0132PWPR | ACTIVE | HTSSOP | PWP | 24 | 2000 | None | CU NIPDAU | Level-1-220C-UNLIM |

⁽¹⁾ The marketing status values are defined as follows:

ACTIVE: Product device recommended for new designs.

LIFEBUY: TI has announced that the device will be discontinued, and a lifetime-buy period is in effect.

NRND: Not recommended for new designs. Device is in production to support existing customers, but TI does not recommend using this part in a new design.

PREVIEW: Device has been announced but is not in production. Samples may or may not be available.

OBsolete: TI has discontinued the production of the device.

⁽²⁾ Eco Plan - May not be currently available - please check <http://www.ti.com/productcontent> for the latest availability information and additional product content details.

None: Not yet available Lead (Pb-Free).

Pb-Free (RoHS): TI's terms "Lead-Free" or "Pb-Free" mean semiconductor products that are compatible with the current RoHS requirements for all 6 substances, including the requirement that lead not exceed 0.1% by weight in homogeneous materials. Where designed to be soldered at high temperatures, TI Pb-Free products are suitable for use in specified lead-free processes.

Green (RoHS & no Sb/Br): TI defines "Green" to mean "Pb-Free" and in addition, uses package materials that do not contain halogens, including bromine (Br) or antimony (Sb) above 0.1% of total product weight.

⁽³⁾ MSL, Peak Temp. -- The Moisture Sensitivity Level rating according to the JEDEC industry standard classifications, and peak solder temperature.

Important Information and Disclaimer: The information provided on this page represents TI's knowledge and belief as of the date that it is provided. TI bases its knowledge and belief on information provided by third parties, and makes no representation or warranty as to the accuracy of such information. Efforts are underway to better integrate information from third parties. TI has taken and continues to take reasonable steps to provide representative and accurate information but may not have conducted destructive testing or chemical analysis on incoming materials and chemicals. TI and TI suppliers consider certain information to be proprietary, and thus CAS numbers and other limited information may not be available for release.

In no event shall TI's liability arising out of such information exceed the total purchase price of the TI part(s) at issue in this document sold by TI to Customer on an annual basis.

IMPORTANT NOTICE

Texas Instruments Incorporated and its subsidiaries (TI) reserve the right to make corrections, modifications, enhancements, improvements, and other changes to its products and services at any time and to discontinue any product or service without notice. Customers should obtain the latest relevant information before placing orders and should verify that such information is current and complete. All products are sold subject to TI's terms and conditions of sale supplied at the time of order acknowledgment.

TI warrants performance of its hardware products to the specifications applicable at the time of sale in accordance with TI's standard warranty. Testing and other quality control techniques are used to the extent TI deems necessary to support this warranty. Except where mandated by government requirements, testing of all parameters of each product is not necessarily performed.

TI assumes no liability for applications assistance or customer product design. Customers are responsible for their products and applications using TI components. To minimize the risks associated with customer products and applications, customers should provide adequate design and operating safeguards.

TI does not warrant or represent that any license, either express or implied, is granted under any TI patent right, copyright, mask work right, or other TI intellectual property right relating to any combination, machine, or process in which TI products or services are used. Information published by TI regarding third-party products or services does not constitute a license from TI to use such products or services or a warranty or endorsement thereof. Use of such information may require a license from a third party under the patents or other intellectual property of the third party, or a license from TI under the patents or other intellectual property of TI.

Reproduction of information in TI data books or data sheets is permissible only if reproduction is without alteration and is accompanied by all associated warranties, conditions, limitations, and notices. Reproduction of this information with alteration is an unfair and deceptive business practice. TI is not responsible or liable for such altered documentation.

Resale of TI products or services with statements different from or beyond the parameters stated by TI for that product or service voids all express and any implied warranties for the associated TI product or service and is an unfair and deceptive business practice. TI is not responsible or liable for any such statements.

Following are URLs where you can obtain information on other Texas Instruments products and application solutions:

| Products | | Applications | |
|------------------|--|---------------------|--|
| Amplifiers | amplifier.ti.com | Audio | www.ti.com/audio |
| Data Converters | dataconverter.ti.com | Automotive | www.ti.com/automotive |
| DSP | dsp.ti.com | Broadband | www.ti.com/broadband |
| Interface | interface.ti.com | Digital Control | www.ti.com/digitalcontrol |
| Logic | logic.ti.com | Military | www.ti.com/military |
| Power Mgmt | power.ti.com | Optical Networking | www.ti.com/opticalnetwork |
| Microcontrollers | microcontroller.ti.com | Security | www.ti.com/security |
| | | Telephony | www.ti.com/telephony |
| | | Video & Imaging | www.ti.com/video |
| | | Wireless | www.ti.com/wireless |

Mailing Address: Texas Instruments
Post Office Box 655303 Dallas, Texas 75265

Looking for pricing, stock, or lifecycle information?

Click below to explore more details on WIN SOURCE:

 [View TPA0132PWP](#) on WIN SOURCE

 [Texas Instruments](#) Information

Optimize Your Supply Chain with WIN SOURCE Solutions

-  Global Sourcing Solution
-  Obsolete Management
-  Cost Control Management
-  Shortage Management
-  Alternative Solution
-  Excess Inventory Management