



**THE DATASHEET OF  
SN74AS640N**



# SN54ALS640B, SN54AS640, SN74ALS640B, SN74AS640 OCTAL BUS TRANSCEIVERS WITH 3-STATE OUTPUTS

SDAS122A – DECEMBER 1983 – REVISED JANUARY 1995

- Bidirectional Bus Transceivers in High-Density 20-Pin Packages
- Inverting Logic
- Package Options Include Plastic Small-Outline (DW) Packages, Ceramic Chip Carriers (FK), and Standard Plastic (N) and Ceramic (J) 300-mil DIPs

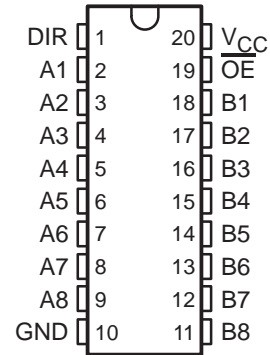
## description

These octal bus transceivers are designed for asynchronous two-way communication between data buses. These devices transmit data from the A bus to the B bus or from the B bus to the A bus, depending upon the level at the direction-control (DIR) input. The output-enable ( $\overline{OE}$ ) input can be used to disable the device so that the buses are effectively isolated.

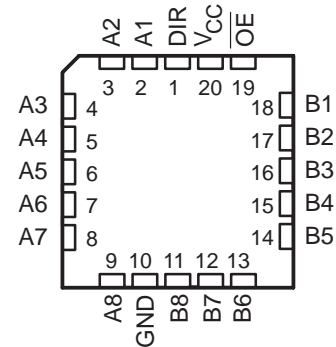
The -1 version of the SN74ALS640B is identical to the standard version, except that the recommended maximum  $I_{OL}$  for the -1 version is increased to 48 mA. There is no -1 version of the SN54ALS640B.

The SN54ALS640B and SN54AS640 are characterized for operation over the full military temperature range of  $-55^{\circ}\text{C}$  to  $125^{\circ}\text{C}$ . The SN74ALS640B and SN74AS640 are characterized for operation from  $0^{\circ}\text{C}$  to  $70^{\circ}\text{C}$ .

SN54ALS640B, SN54AS640 . . . J PACKAGE  
SN74ALS640B, SN74AS640 . . . DW OR N PACKAGE  
(TOP VIEW)



SN54ALS640B, SN54AS640 . . . FK PACKAGE  
(TOP VIEW)



FUNCTION TABLE

| INPUTS          |     | OPERATION                    |
|-----------------|-----|------------------------------|
| $\overline{OE}$ | DIR |                              |
| L               | L   | $\overline{B}$ data to A bus |
| L               | H   | $\overline{A}$ data to B bus |
| H               | X   | Isolation                    |

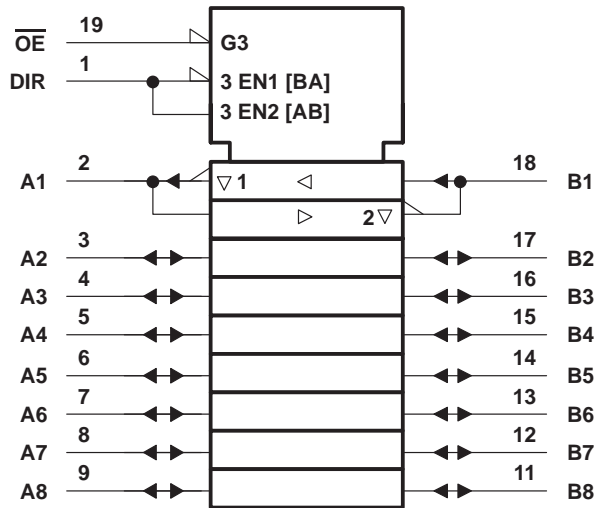
# SN54ALS640B, SN54AS640, SN74ALS640B, SN74AS640

## OCTAL BUS TRANSCEIVERS

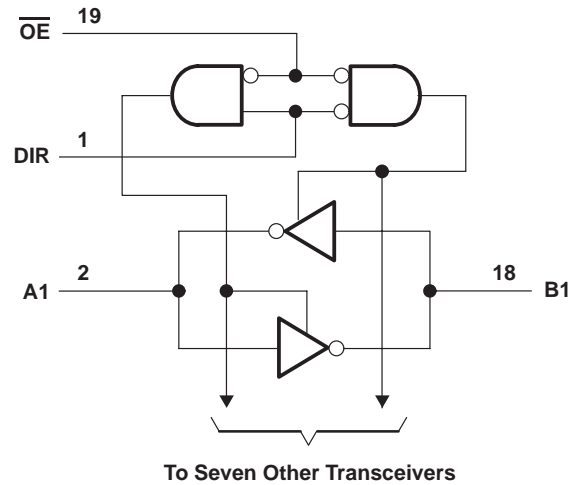
### WITH 3-STATE OUTPUTS

SDAS122A – DECEMBER 1983 – REVISED JANUARY 1995

#### logic symbol†



#### logic diagram (positive logic)



† This symbol is in accordance with ANSI/IEEE Std 91-1984 and IEC Publication 617-12.

#### absolute maximum ratings over operating free-air temperature range (unless otherwise noted)‡

|   |                |
|---|----------------|
| Supply voltage, $V_{CC}$                                  | 7 V            |
| Input voltage, $V_I$ : All inputs                         | 7 V            |
| I/O ports   | 5.5 V          |
| Operating free-air temperature range, $T_A$ : SN54ALS640B | -55°C to 125°C |
| SN74ALS640B   | 0°C to 70°C    |
| Storage temperature range                                 | -65°C to 150°C |

‡ Stresses beyond those listed under “absolute maximum ratings” may cause permanent damage to the device. These are stress ratings only, and functional operation of the device at these or any other conditions beyond those indicated under “recommended operating conditions” is not implied. Exposure to absolute-maximum-rated conditions for extended periods may affect device reliability.

#### recommended operating conditions

|                                      | SN54ALS640B |     |     | SN74ALS640B |     |     | UNIT |
|--------------------------------------|-------------|-----|-----|-------------|-----|-----|------|
|                                      | MIN         | NOM | MAX | MIN         | NOM | MAX |      |
| $V_{CC}$ Supply voltage              | 4.5         | 5   | 5.5 | 4.5         | 5   | 5.5 | V    |
| $V_{IH}$ High-level input voltage    | 2           |     |     | 2           |     |     | V    |
| $V_{IL}$ Low-level input voltage     |             |     | 0.7 |             |     | 0.8 | V    |
| $I_{OH}$ High-level output current   |             |     | -12 |             |     | -15 | mA   |
| $I_{OL}$ Low-level output current    |             |     | 12  |             |     | 24  | mA   |
|                                      |             |     |     |             |     | 48§ |      |
| $T_A$ Operating free-air temperature | -55         |     | 125 | 0           |     | 70  | °C   |

§ Applies only to the -1 version and only if  $V_{CC}$  is between 4.75 V and 5.25 V

# SN54ALS640B, SN54AS640, SN74ALS640B, SN74AS640 OCTAL BUS TRANSCEIVERS WITH 3-STATE OUTPUTS

SDAS122A – DECEMBER 1983 – REVISED JANUARY 1995

**electrical characteristics over recommended operating free-air temperature range (unless otherwise noted)**

| PARAMETER         | TEST CONDITIONS   |  | SN54ALS640B                      |      | SN74ALS640B  |      | UNIT          |      |
|-------------------|---|--|----------------------------------|------|--------------|------|---------------|------|
|                   |   |  | MIN                              | TYP† | MAX          | MIN  |               | TYP† |
| $V_{IK}$          | $V_{CC} = 4.5\text{ V}$ , $I_I = -18\text{ mA}$                     |  | -1.5                             |      | -1.5         |      | V             |      |
| $V_{OH}$          | $V_{CC} = 4.5\text{ V to }5.5\text{ V}$ , $I_{OH} = -0.4\text{ mA}$ |  | $V_{CC} - 2$                     |      | $V_{CC} - 2$ |      | V             |      |
|                   | $V_{CC} = 4.5\text{ V}$   | $I_{OH} = -3\text{ mA}$                        | 2.4                              | 3.2  | 2.4          | 3.2  |               |      |
|                   |   | $I_{OH} = -12\text{ mA}$                       | 2                                |      |              |      |               |      |
|                   |   | $I_{OH} = -15\text{ mA}$                       |                                  |      | 2            |      |               |      |
| $V_{OL}$          | $V_{CC} = 4.5\text{ V}$   |  | $I_{OL} = 12\text{ mA}$          | 0.25 | 0.4          | 0.25 | 0.4           | V    |
|                   |   |  | $I_{OL} = 24\text{ mA}$          |      |              | 0.35 | 0.5           |      |
|                   |   |  | $I_{OL} = 48\text{ mA}^\ddagger$ |      |              | 0.35 | 0.5           |      |
| $I_I$             | Control inputs  | $V_{CC} = 5.5\text{ V}$                        | $V_I = 7\text{ V}$               | 0.1  |              | 0.1  | mA            |      |
|                   | A or B ports  |  | $V_I = 5.5\text{ V}$             | 0.1  |              | 0.1  |               |      |
| $I_{IH}$          | Control inputs  | $V_{CC} = 5.5\text{ V}$ , $V_I = 2.7\text{ V}$ | 20                               |      | 20           |      | $\mu\text{A}$ |      |
|                   | A or B ports§   |  | 20                               |      | 20           |      |               |      |
| $I_{IL}$          | Control inputs  | $V_{CC} = 5.5\text{ V}$ , $V_I = 0.4\text{ V}$ | -0.1                             |      | -0.1         |      | mA            |      |
|                   | A or B ports§   |  | -0.1                             |      | -0.1         |      |               |      |
| $I_{O}^\parallel$ | $V_{CC} = 5.5\text{ V}$ , $V_O = 2.25\text{ V}$                     |  | -20                              | -112 | -30          | -112 | mA            |      |
| $I_{CC}$          | $V_{CC} = 5.5\text{ V}$   |  | Outputs high                     | 19   | 50           | 19   | 45            | mA   |
|                   |   |  | Outputs low                      | 27   | 60           | 27   | 55            |      |
|                   |   |  | Outputs disabled                 | 28   | 55           | 28   | 50            |      |

† All typical values are at  $V_{CC} = 5\text{ V}$ ,  $T_A = 25^\circ\text{C}$ .

‡ Applies only to the -1 version and only if  $V_{CC}$  is between 4.75 V and 5.25 V

§ For I/O ports, the parameters  $I_{IH}$  and  $I_{IL}$  include the off-state output current.

¶ The output conditions have been chosen to produce a current that closely approximates one half of the true short-circuit output current,  $I_{OS}$ .

## switching characteristics (see Figure 1)

| PARAMETER | FROM (INPUT)    | TO (OUTPUT) | $V_{CC} = 4.5\text{ V to }5.5\text{ V}$ ,<br>$C_L = 50\text{ pF}$ ,<br>$R_1 = 500\ \Omega$ ,<br>$R_2 = 500\ \Omega$ ,<br>$T_A = \text{MIN to MAX}^\#$ |     |             |     | UNIT |
|-----------|-----------------|-------------|---|-----|-------------|-----|------|
|           |                 |             | SN54ALS640B   |     | SN74ALS640B |     |      |
|           |                 |             | MIN   | MAX | MIN         | MAX |      |
| $t_{PLH}$ | A or B          | B or A      | 2   | 14  | 2           | 11  | ns   |
| $t_{PHL}$ |                 |             | 2   | 13  | 2           | 10  |      |
| $t_{PZH}$ | $\overline{OE}$ | A or B      | 4   | 25  | 4           | 21  | ns   |
| $t_{PZL}$ |                 |             | 5   | 27  | 5           | 24  |      |
| $t_{PHZ}$ | $\overline{OE}$ | A or B      | 2   | 12  | 2           | 10  | ns   |
| $t_{PLZ}$ |                 |             | 3   | 20  | 3           | 15  |      |

# For conditions shown as MIN or MAX, use the appropriate value specified under recommended operating conditions.

# SN54ALS640B, SN54AS640, SN74ALS640B, SN74AS640

## OCTAL BUS TRANSCEIVERS

### WITH 3-STATE OUTPUTS

SDAS122A – DECEMBER 1983 – REVISED JANUARY 1995

#### absolute maximum ratings over operating free-air temperature range (unless otherwise noted)†

|   |                |
|---|----------------|
| Supply voltage, $V_{CC}$                                | 7 V            |
| Input voltage, $V_I$ : All inputs                       | 7 V            |
| I/O ports   | 5.5 V          |
| Operating free-air temperature range, $T_A$ : SN54AS640 | -55°C to 125°C |
| SN74AS640   | 0°C to 70°C    |
| Storage temperature range                               | -65°C to 150°C |

† Stresses beyond those listed under “absolute maximum ratings” may cause permanent damage to the device. These are stress ratings only, and functional operation of the device at these or any other conditions beyond those indicated under “recommended operating conditions” is not implied. Exposure to absolute-maximum-rated conditions for extended periods may affect device reliability.

#### recommended operating conditions

|          |                                | SN54AS640 |     |     | SN74AS640 |     |     | UNIT |
|----------|--------------------------------|-----------|-----|-----|-----------|-----|-----|------|
|          |                                | MIN       | NOM | MAX | MIN       | NOM | MAX |      |
| $V_{CC}$ | Supply voltage                 | 4.5       | 5   | 5.5 | 4.5       | 5   | 5.5 | V    |
| $V_{IH}$ | High-level input voltage       | 2         |     |     | 2         |     |     | V    |
| $V_{IL}$ | Low-level input voltage        |           |     | 0.8 |           |     | 0.8 | V    |
| $I_{OH}$ | High-level output current      |           |     | -12 |           |     | -15 | mA   |
| $I_{OL}$ | Low-level output current       |           |     | 48  |           |     | 64  | mA   |
| $T_A$    | Operating free-air temperature | -55       |     | 125 | 0         |     | 70  | °C   |

#### electrical characteristics over recommended operating free-air temperature range (unless otherwise noted)

| PARAMETER           | TEST CONDITIONS                             | SN54AS640         |               |      | SN74AS640    |       |         | UNIT  |
|---------------------|---|-------------------|---------------|------|--------------|-------|---------|-------|
|                     |   | MIN               | TYP‡          | MAX  | MIN          | TYP‡  | MAX     |       |
| $V_{IK}$            | $V_{CC} = 4.5$ V, $I_I = -18$ mA            |                   |               | -1.2 |              |       | -1.2    | V     |
| $V_{OH}$            | $V_{CC} = 4.5$ V, $I_{OH} = -2$ mA          | $V_{CC} - 2$      |               |      |              |       |         | V     |
|                     | $V_{CC} = 4.5$ V to 5.5 V, $I_{OH} = -2$ mA |                   |               |      | $V_{CC} - 2$ |       |         |       |
|                     | $V_{CC} = 4.5$ V                            | $I_{OH} = -3$ mA  | 2.4           | 3.2  |              | 2.4   | 3.2     |       |
|                     |   | $I_{OH} = -12$ mA | 2.4           |      |              |       |         |       |
| $V_{OL}$            | $V_{CC} = 4.5$ V                            | $I_{OL} = 48$ mA  | 0.3           | 0.55 |              |       | V       |       |
|                     |   | $I_{OL} = 64$ mA  |               |      | 0.35         | 0.55  |         |       |
| $I_I$               | Control inputs                              | $V_{CC} = 5.5$ V  | $V_I = 7$ V   |      |              | 0.1   | mA      |       |
|                     | A or B ports                                |                   | $V_I = 5.5$ V |      |              | 0.1   |         |       |
| $I_{IH}$            | Control inputs                              | $V_{CC} = 5.5$ V, | $V_I = 2.7$ V |      |              | 20    | $\mu$ A |       |
|                     | A or B ports§                               |                   |               |      |              | 70    |         | 70    |
| $I_{IL}$            | Control inputs                              | $V_{CC} = 5.5$ V, | $V_I = 0.4$ V |      |              | -0.5  | mA      |       |
|                     | A or B ports§                               |                   |               |      |              | -0.75 |         | -0.75 |
| $I_{O}^{\parallel}$ | $V_{CC} = 5.5$ V, $V_O = 2.25$ V            |                   |               | -50  |              | -150  | mA      |       |
| $I_{CC}$            | $V_{CC} = 5.5$ V                            | Outputs high      |               | 37   | 58           |       | 37      | 58    |
|                     |   | Outputs low       |               | 78   | 123          |       | 78      | 123   |
|                     |   | Outputs disabled  |               | 51   | 80           |       | 51      | 80    |

‡ All typical values are at  $V_{CC} = 5$  V,  $T_A = 25^\circ$ C.

§ For I/O ports, the parameters  $I_{IH}$  and  $I_{IL}$  include the off-state output current.

¶ The output conditions have been chosen to produce a current that closely approximates one half of the true short-circuit output current,  $I_{OS}$ .



**SN54ALS640B, SN54AS640, SN74ALS640B, SN74AS640**  
**OCTAL BUS TRANSCEIVERS**  
**WITH 3-STATE OUTPUTS**

SDAS122A – DECEMBER 1983 – REVISED JANUARY 1995

**switching characteristics (see Figure 1)**

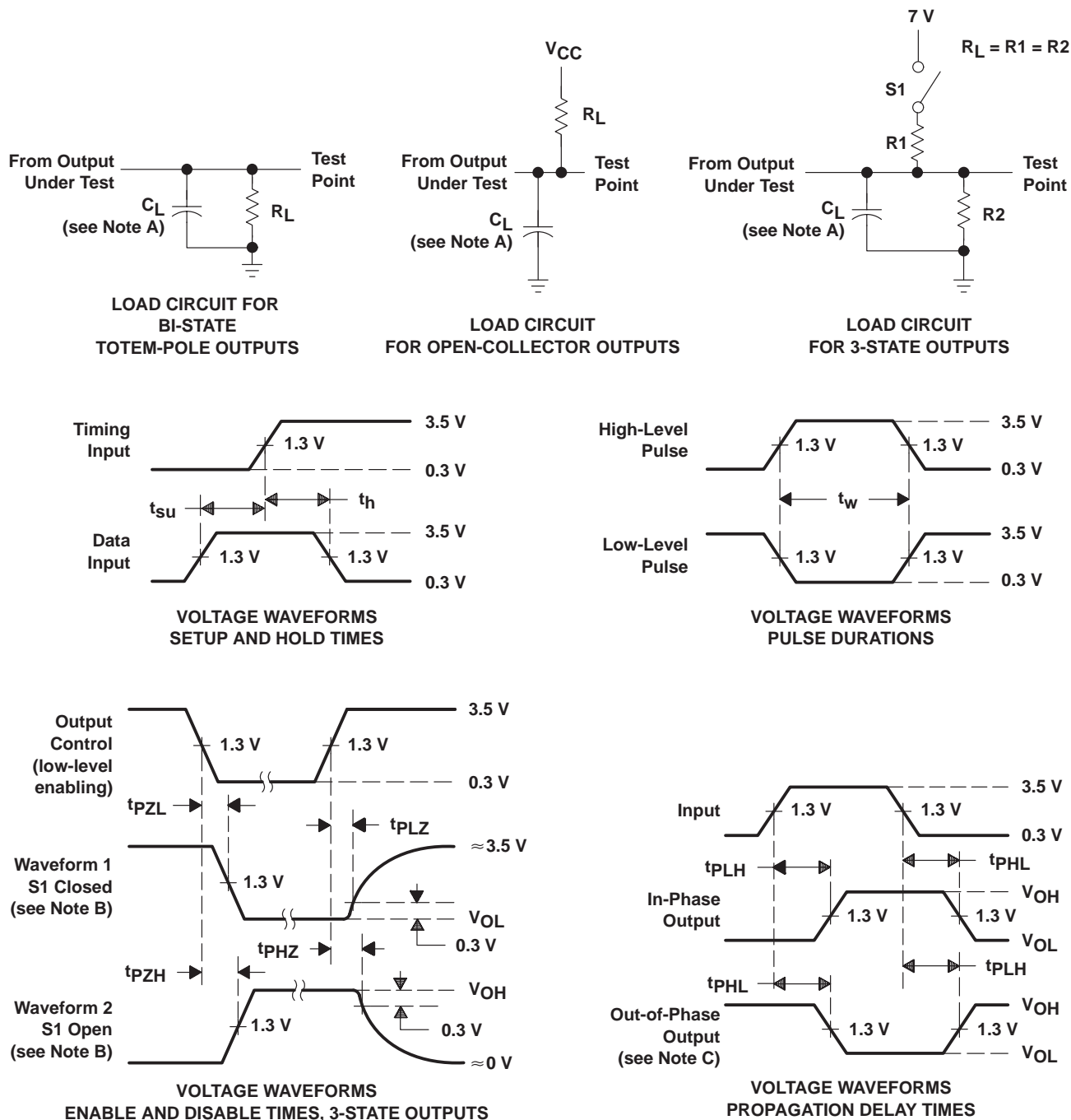
| PARAMETER | FROM<br>(INPUT) | TO<br>(OUTPUT) | $V_{CC} = 4.5\text{ V to }5.5\text{ V,}$<br>$C_L = 50\text{ pF,}$<br>$R_1 = 500\ \Omega,$<br>$R_2 = 500\ \Omega,$<br>$T_A = \text{MIN to MAX}^\dagger$ |     |           |     | UNIT |
|-----------|-----------------|----------------|--|-----|-----------|-----|------|
|           |                 |                | SN54AS640  |     | SN74AS640 |     |      |
|           |                 |                | MIN  | MAX | MIN       | MAX |      |
| $t_{PLH}$ | A or B          | B or A         | 1  | 8   | 2         | 7   | ns   |
| $t_{PHL}$ |                 |                | 1  | 7   | 2         | 6   |      |
| $t_{PZH}$ | $\overline{OE}$ | A or B         | 2  | 10  | 2         | 8   | ns   |
| $t_{PZL}$ |                 |                | 2  | 12  | 2         | 10  |      |
| $t_{PHZ}$ | $\overline{OE}$ | A or B         | 2  | 9   | 2         | 8   | ns   |
| $t_{PLZ}$ |                 |                | 2  | 16  | 2         | 13  |      |

<sup>†</sup> For conditions shown as MIN or MAX, use the appropriate value specified under recommended operating conditions.

# SN54ALS640B, SN54AS640, SN74ALS640B, SN74AS640 OCTAL BUS TRANSCEIVERS WITH 3-STATE OUTPUTS

SDAS122A – DECEMBER 1983 – REVISED JANUARY 1995

## PARAMETER MEASUREMENT INFORMATION SERIES 54ALS/74ALS AND 54AS/74AS DEVICES



- NOTES: A.  $C_L$  includes probe and jig capacitance.  
 B. Waveform 1 is for an output with internal conditions such that the output is low except when disabled by the output control. Waveform 2 is for an output with internal conditions such that the output is high except when disabled by the output control.  
 C. When measuring propagation delay items of 3-state outputs, switch S1 is open.  
 D. All input pulses have the following characteristics:  $PRR \leq 1$  MHz,  $t_r = t_f = 2$  ns, duty cycle = 50%.  
 E. The outputs are measured one at a time with one transition per measurement.

Figure 1. Load Circuits and Voltage Waveforms

**PACKAGING INFORMATION**

| Orderable Device | Status<br>(1) | Package Type | Package Drawing | Pins | Package Qty | Eco Plan<br>(2)            | Lead/Ball Finish<br>(6) | MSL Peak Temp<br>(3) | Op Temp (°C) | Device Marking<br>(4/5)         | Samples                 |
|------------------|---------------|--------------|-----------------|------|-------------|----------------------------|-------------------------|----------------------|--------------|---------------------------------|-------------------------|
| 5962-8872701RA   | ACTIVE        | CDIP         | J               | 20   | 1           | TBD                        | A42                     | N / A for Pkg Type   | -55 to 125   | 5962-8872701RA<br>SNJ54ALS640BJ | <a href="#">Samples</a> |
| 5962-8955301RA   | ACTIVE        | CDIP         | J               | 20   | 1           | TBD                        | A42                     | N / A for Pkg Type   | -55 to 125   | 5962-8955301RA<br>SNJ54AS640J   | <a href="#">Samples</a> |
| SN54ALS640BJ     | ACTIVE        | CDIP         | J               | 20   | 1           | TBD                        | A42                     | N / A for Pkg Type   | -55 to 125   | SN54ALS640BJ                    | <a href="#">Samples</a> |
| SN74ALS640B-1DW  | ACTIVE        | SOIC         | DW              | 20   | 25          | Green (RoHS<br>& no Sb/Br) | CU NIPDAU               | Level-1-260C-UNLIM   | 0 to 70      | ALS640B-1                       | <a href="#">Samples</a> |
| SN74ALS640B-1DWR | ACTIVE        | SOIC         | DW              | 20   | 2000        | Green (RoHS<br>& no Sb/Br) | CU NIPDAU               | Level-1-260C-UNLIM   | 0 to 70      | ALS640B-1                       | <a href="#">Samples</a> |
| SN74ALS640B-1N   | ACTIVE        | PDIP         | N               | 20   | 20          | Pb-Free<br>(RoHS)          | CU NIPDAU               | N / A for Pkg Type   | 0 to 70      | SN74ALS640B-1N                  | <a href="#">Samples</a> |
| SN74ALS640B-1NSR | ACTIVE        | SO           | NS              | 20   | 2000        | Green (RoHS<br>& no Sb/Br) | CU NIPDAU               | Level-1-260C-UNLIM   | 0 to 70      | ALS640B-1                       | <a href="#">Samples</a> |
| SN74ALS640BDW    | ACTIVE        | SOIC         | DW              | 20   | 25          | Green (RoHS<br>& no Sb/Br) | CU NIPDAU               | Level-1-260C-UNLIM   | 0 to 70      | ALS640B                         | <a href="#">Samples</a> |
| SN74ALS640BDWE4  | ACTIVE        | SOIC         | DW              | 20   | 25          | Green (RoHS<br>& no Sb/Br) | CU NIPDAU               | Level-1-260C-UNLIM   | 0 to 70      | ALS640B                         | <a href="#">Samples</a> |
| SN74ALS640BDWR   | ACTIVE        | SOIC         | DW              | 20   | 2000        | Green (RoHS<br>& no Sb/Br) | CU NIPDAU               | Level-1-260C-UNLIM   | 0 to 70      | ALS640B                         | <a href="#">Samples</a> |
| SN74ALS640BDWRE4 | ACTIVE        | SOIC         | DW              | 20   | 2000        | Green (RoHS<br>& no Sb/Br) | CU NIPDAU               | Level-1-260C-UNLIM   | 0 to 70      | ALS640B                         | <a href="#">Samples</a> |
| SN74ALS640BN     | ACTIVE        | PDIP         | N               | 20   | 20          | Pb-Free<br>(RoHS)          | CU NIPDAU               | N / A for Pkg Type   | 0 to 70      | SN74ALS640BN                    | <a href="#">Samples</a> |
| SN74ALS640BNSR   | ACTIVE        | SO           | NS              | 20   | 2000        | Green (RoHS<br>& no Sb/Br) | CU NIPDAU               | Level-1-260C-UNLIM   | 0 to 70      | ALS640B                         | <a href="#">Samples</a> |
| SN74ALS640BNSRG4 | ACTIVE        | SO           | NS              | 20   | 2000        | Green (RoHS<br>& no Sb/Br) | CU NIPDAU               | Level-1-260C-UNLIM   | 0 to 70      | ALS640B                         | <a href="#">Samples</a> |
| SN74AS640N       | ACTIVE        | PDIP         | N               | 20   | 20          | Pb-Free<br>(RoHS)          | CU NIPDAU               | N / A for Pkg Type   | 0 to 70      | SN74AS640N                      | <a href="#">Samples</a> |
| SN74AS640NSR     | ACTIVE        | SO           | NS              | 20   | 2000        | Green (RoHS<br>& no Sb/Br) | CU NIPDAU               | Level-1-260C-UNLIM   | 0 to 70      | 74AS640                         | <a href="#">Samples</a> |
| SNJ54ALS640BJ    | ACTIVE        | CDIP         | J               | 20   | 1           | TBD                        | A42                     | N / A for Pkg Type   | -55 to 125   | 5962-8872701RA<br>SNJ54ALS640BJ | <a href="#">Samples</a> |

| Orderable Device | Status<br>(1) | Package Type | Package<br>Drawing | Pins | Package<br>Qty | Eco Plan<br>(2) | Lead/Ball Finish<br>(6) | MSL Peak Temp<br>(3) | Op Temp (°C) | Device Marking<br>(4/5)       | Samples        |
|------------------|---------------|--------------|--------------------|------|----------------|-----------------|-------------------------|----------------------|--------------|-------------------------------|----------------|
| SNJ54AS640J      | ACTIVE        | CDIP         | J                  | 20   | 1              | TBD             | A42                     | N / A for Pkg Type   | -55 to 125   | 5962-8955301RA<br>SNJ54AS640J | <b>Samples</b> |

(1) The marketing status values are defined as follows:

**ACTIVE:** Product device recommended for new designs.

**LIFEBUY:** TI has announced that the device will be discontinued, and a lifetime-buy period is in effect.

**NRND:** Not recommended for new designs. Device is in production to support existing customers, but TI does not recommend using this part in a new design.

**PREVIEW:** Device has been announced but is not in production. Samples may or may not be available.

**OBSOLETE:** TI has discontinued the production of the device.

(2) **RoHS:** TI defines "RoHS" to mean semiconductor products that are compliant with the current EU RoHS requirements for all 10 RoHS substances, including the requirement that RoHS substance do not exceed 0.1% by weight in homogeneous materials. Where designed to be soldered at high temperatures, "RoHS" products are suitable for use in specified lead-free processes. TI may reference these types of products as "Pb-Free".

**RoHS Exempt:** TI defines "RoHS Exempt" to mean products that contain lead but are compliant with EU RoHS pursuant to a specific EU RoHS exemption.

**Green:** TI defines "Green" to mean the content of Chlorine (Cl) and Bromine (Br) based flame retardants meet JS709B low halogen requirements of <=1000ppm threshold. Antimony trioxide based flame retardants must also meet the <=1000ppm threshold requirement.

(3) MSL, Peak Temp. - The Moisture Sensitivity Level rating according to the JEDEC industry standard classifications, and peak solder temperature.

(4) There may be additional marking, which relates to the logo, the lot trace code information, or the environmental category on the device.

(5) Multiple Device Markings will be inside parentheses. Only one Device Marking contained in parentheses and separated by a "~" will appear on a device. If a line is indented then it is a continuation of the previous line and the two combined represent the entire Device Marking for that device.

(6) Lead/Ball Finish - Orderable Devices may have multiple material finish options. Finish options are separated by a vertical ruled line. Lead/Ball Finish values may wrap to two lines if the finish value exceeds the maximum column width.

**Important Information and Disclaimer:**The information provided on this page represents TI's knowledge and belief as of the date that it is provided. TI bases its knowledge and belief on information provided by third parties, and makes no representation or warranty as to the accuracy of such information. Efforts are underway to better integrate information from third parties. TI has taken and continues to take reasonable steps to provide representative and accurate information but may not have conducted destructive testing or chemical analysis on incoming materials and chemicals. TI and TI suppliers consider certain information to be proprietary, and thus CAS numbers and other limited information may not be available for release.

In no event shall TI's liability arising out of such information exceed the total purchase price of the TI part(s) at issue in this document sold by TI to Customer on an annual basis.

**OTHER QUALIFIED VERSIONS OF SN54ALS640B, SN54AS640, SN74ALS640B, SN74AS640 :**

● Catalog: [SN74ALS640B](#), [SN74AS640](#)

- Military: [SN54ALS640B](#), [SN54AS640](#)

NOTE: Qualified Version Definitions:

- Catalog - TI's standard catalog product
- Military - QML certified for Military and Defense Applications

**TAPE AND REEL INFORMATION**

**QUADRANT ASSIGNMENTS FOR PIN 1 ORIENTATION IN TAPE**


\*All dimensions are nominal

| Device           | Package Type | Package Drawing | Pins | SPQ  | Reel Diameter (mm) | Reel Width W1 (mm) | A0 (mm) | B0 (mm) | K0 (mm) | P1 (mm) | W (mm) | Pin1 Quadrant |
|------------------|--------------|-----------------|------|------|--------------------|--------------------|---------|---------|---------|---------|--------|---------------|
| SN74ALS640B-1DWR | SOIC         | DW              | 20   | 2000 | 330.0              | 24.4               | 10.8    | 13.3    | 2.7     | 12.0    | 24.0   | Q1            |
| SN74ALS640B-1NSR | SO           | NS              | 20   | 2000 | 330.0              | 24.4               | 8.4     | 13.0    | 2.5     | 12.0    | 24.0   | Q1            |
| SN74ALS640BDWR   | SOIC         | DW              | 20   | 2000 | 330.0              | 24.4               | 10.8    | 13.3    | 2.7     | 12.0    | 24.0   | Q1            |
| SN74ALS640BNSR   | SO           | NS              | 20   | 2000 | 330.0              | 24.4               | 8.4     | 13.0    | 2.5     | 12.0    | 24.0   | Q1            |
| SN74AS640NSR     | SO           | NS              | 20   | 2000 | 330.0              | 24.4               | 8.4     | 13.0    | 2.5     | 12.0    | 24.0   | Q1            |

## TAPE AND REEL BOX DIMENSIONS



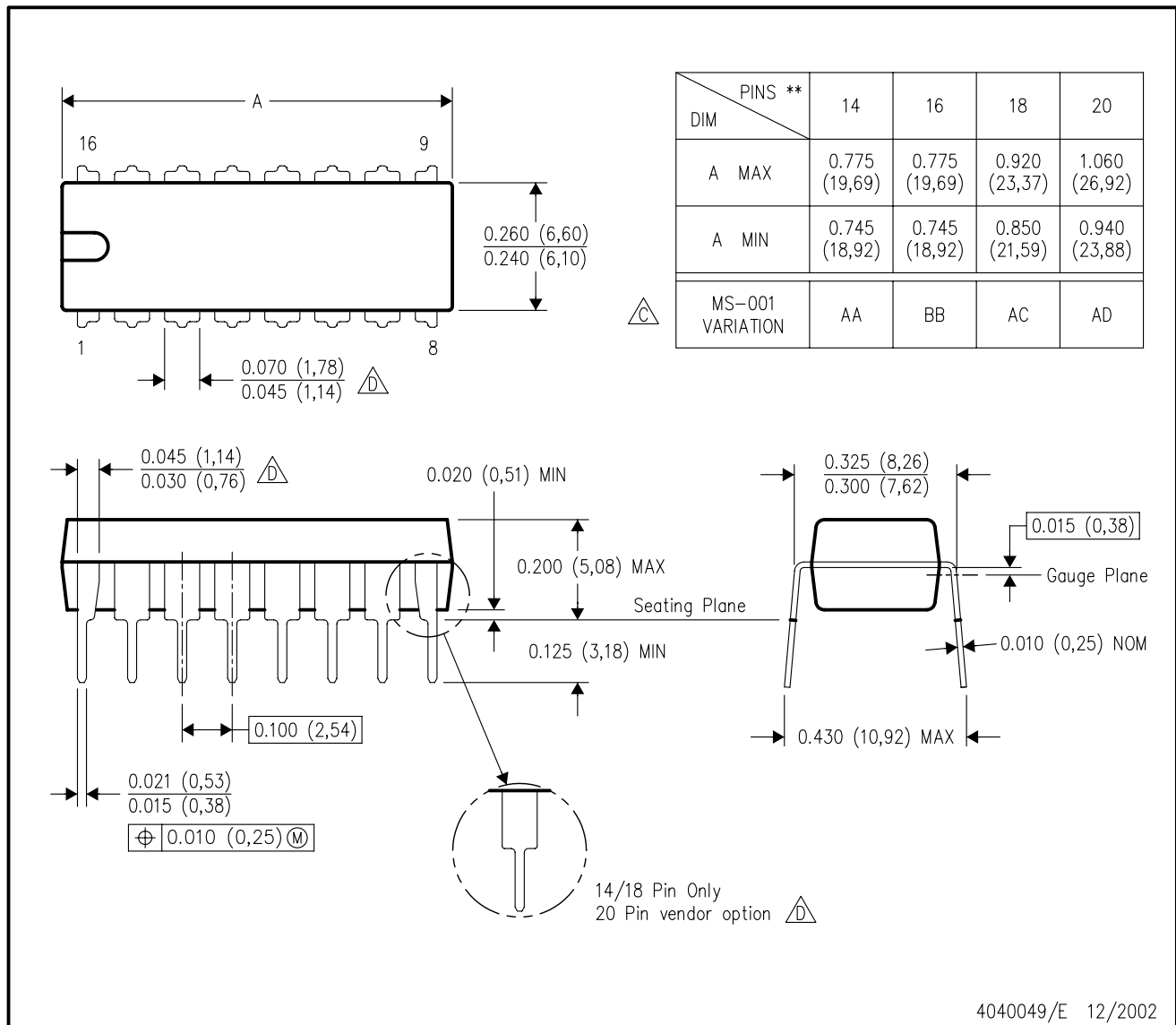
\*All dimensions are nominal

| Device           | Package Type | Package Drawing | Pins | SPQ  | Length (mm) | Width (mm) | Height (mm) |
|------------------|--------------|-----------------|------|------|-------------|------------|-------------|
| SN74ALS640B-1DWR | SOIC         | DW              | 20   | 2000 | 367.0       | 367.0      | 45.0        |
| SN74ALS640B-1NSR | SO           | NS              | 20   | 2000 | 367.0       | 367.0      | 45.0        |
| SN74ALS640BDWR   | SOIC         | DW              | 20   | 2000 | 367.0       | 367.0      | 45.0        |
| SN74ALS640BNSR   | SO           | NS              | 20   | 2000 | 367.0       | 367.0      | 45.0        |
| SN74AS640NSR     | SO           | NS              | 20   | 2000 | 367.0       | 367.0      | 45.0        |

N (R-PDIP-T\*\*)

PLASTIC DUAL-IN-LINE PACKAGE

16 PINS SHOWN



4040049/E 12/2002

- NOTES:
- A. All linear dimensions are in inches (millimeters).
  - B. This drawing is subject to change without notice.
  - (C) Falls within JEDEC MS-001, except 18 and 20 pin minimum body length (Dim A).
  - (D) The 20 pin end lead shoulder width is a vendor option, either half or full width.



# EXAMPLE BOARD LAYOUT

DW0020A

SOIC - 2.65 mm max height

SOIC



LAND PATTERN EXAMPLE  
SCALE:6X



SOLDER MASK DETAILS

4220724/A 05/2016

NOTES: (continued)

- 6. Publication IPC-7351 may have alternate designs.
- 7. Solder mask tolerances between and around signal pads can vary based on board fabrication site.

# EXAMPLE STENCIL DESIGN

DW0020A

SOIC - 2.65 mm max height

SOIC



SOLDER PASTE EXAMPLE  
BASED ON 0.125 mm THICK STENCIL  
SCALE:6X

4220724/A 05/2016

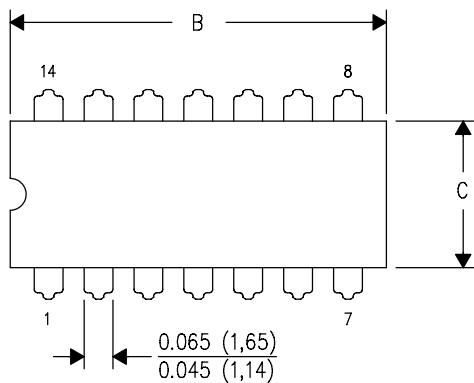
NOTES: (continued)

8. Laser cutting apertures with trapezoidal walls and rounded corners may offer better paste release. IPC-7525 may have alternate design recommendations.
9. Board assembly site may have different recommendations for stencil design.

J (R-GDIP-T\*\*)

14 LEADS SHOWN

CERAMIC DUAL IN-LINE PACKAGE



| DIM \ PINS ** | 14                     | 16                     | 18                     | 20                     |
|---------------|------------------------|------------------------|------------------------|------------------------|
| A             | 0.300<br>(7,62)<br>BSC | 0.300<br>(7,62)<br>BSC | 0.300<br>(7,62)<br>BSC | 0.300<br>(7,62)<br>BSC |
| B MAX         | 0.785<br>(19,94)       | .840<br>(21,34)        | 0.960<br>(24,38)       | 1.060<br>(26,92)       |
| B MIN         | —                      | —                      | —                      | —                      |
| C MAX         | 0.300<br>(7,62)        | 0.300<br>(7,62)        | 0.310<br>(7,87)        | 0.300<br>(7,62)        |
| C MIN         | 0.245<br>(6,22)        | 0.245<br>(6,22)        | 0.220<br>(5,59)        | 0.245<br>(6,22)        |



4040083/F 03/03

- NOTES:
- All linear dimensions are in inches (millimeters).
  - This drawing is subject to change without notice.
  - This package is hermetically sealed with a ceramic lid using glass frit.
  - Index point is provided on cap for terminal identification only on press ceramic glass frit seal only.
  - Falls within MIL STD 1835 GDIP1-T14, GDIP1-T16, GDIP1-T18 and GDIP1-T20.

# MECHANICAL DATA

NS (R-PDSO-G\*\*)

PLASTIC SMALL-OUTLINE PACKAGE

14-PINS SHOWN



- NOTES:
- A. All linear dimensions are in millimeters.
  - B. This drawing is subject to change without notice.
  - C. Body dimensions do not include mold flash or protrusion, not to exceed 0,15.

## IMPORTANT NOTICE AND DISCLAIMER

TI PROVIDES TECHNICAL AND RELIABILITY DATA (INCLUDING DATASHEETS), DESIGN RESOURCES (INCLUDING REFERENCE DESIGNS), APPLICATION OR OTHER DESIGN ADVICE, WEB TOOLS, SAFETY INFORMATION, AND OTHER RESOURCES "AS IS" AND WITH ALL FAULTS, AND DISCLAIMS ALL WARRANTIES, EXPRESS AND IMPLIED, INCLUDING WITHOUT LIMITATION ANY IMPLIED WARRANTIES OF MERCHANTABILITY, FITNESS FOR A PARTICULAR PURPOSE OR NON-INFRINGEMENT OF THIRD PARTY INTELLECTUAL PROPERTY RIGHTS.

These resources are intended for skilled developers designing with TI products. You are solely responsible for (1) selecting the appropriate TI products for your application, (2) designing, validating and testing your application, and (3) ensuring your application meets applicable standards, and any other safety, security, or other requirements. These resources are subject to change without notice. TI grants you permission to use these resources only for development of an application that uses the TI products described in the resource. Other reproduction and display of these resources is prohibited. No license is granted to any other TI intellectual property right or to any third party intellectual property right. TI disclaims responsibility for, and you will fully indemnify TI and its representatives against, any claims, damages, costs, losses, and liabilities arising out of your use of these resources.

TI's products are provided subject to TI's Terms of Sale ([www.ti.com/legal/termsofsale.html](http://www.ti.com/legal/termsofsale.html)) or other applicable terms available either on [ti.com](http://ti.com) or provided in conjunction with such TI products. TI's provision of these resources does not expand or otherwise alter TI's applicable warranties or warranty disclaimers for TI products.

Mailing Address: Texas Instruments, Post Office Box 655303, Dallas, Texas 75265  
Copyright © 2019, Texas Instruments Incorporated

## Looking for pricing, stock, or lifecycle information?

Click below to explore more details on WIN SOURCE:

 [View SN74AS640N on WIN SOURCE](#)

 [Texas Instruments](#) Information

## Optimize Your Supply Chain with WIN SOURCE Solutions

-  Global Sourcing Solution
-  Obsolete Management
-  Cost Control Management
-  Shortage Management
-  Alternative Solution
-  Excess Inventory Management