

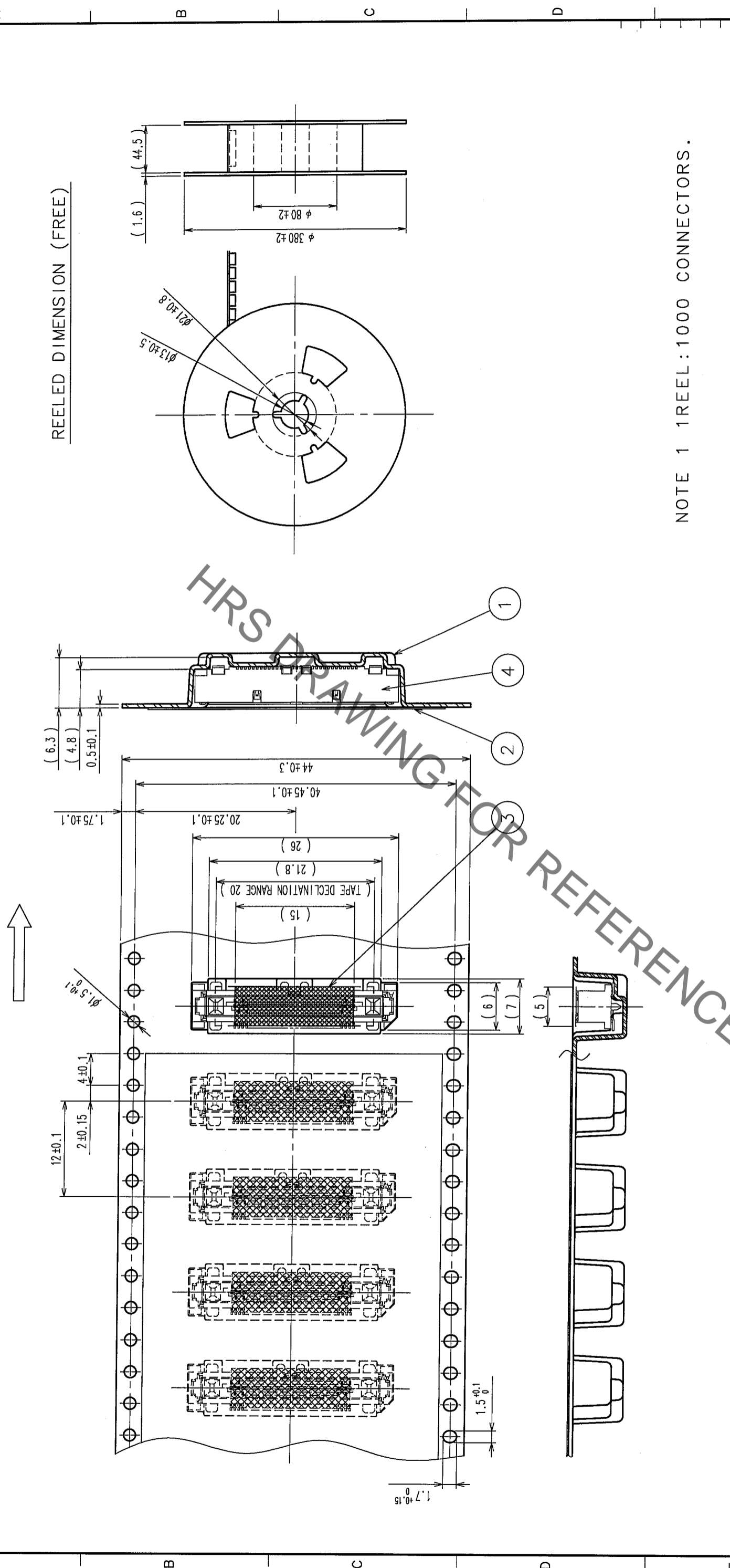


**THE DATASHEET OF
FX15-31S-0.5SV**

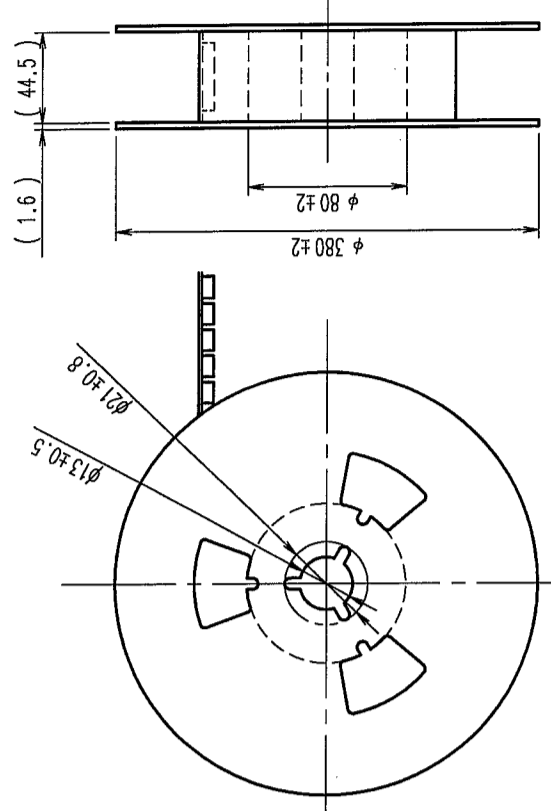


COUNT	DESCRIPTION OF REVISIONS	BY	CHKD	DATE	COUNT	DESCRIPTION OF REVISIONS	BY	CHKD	DATE

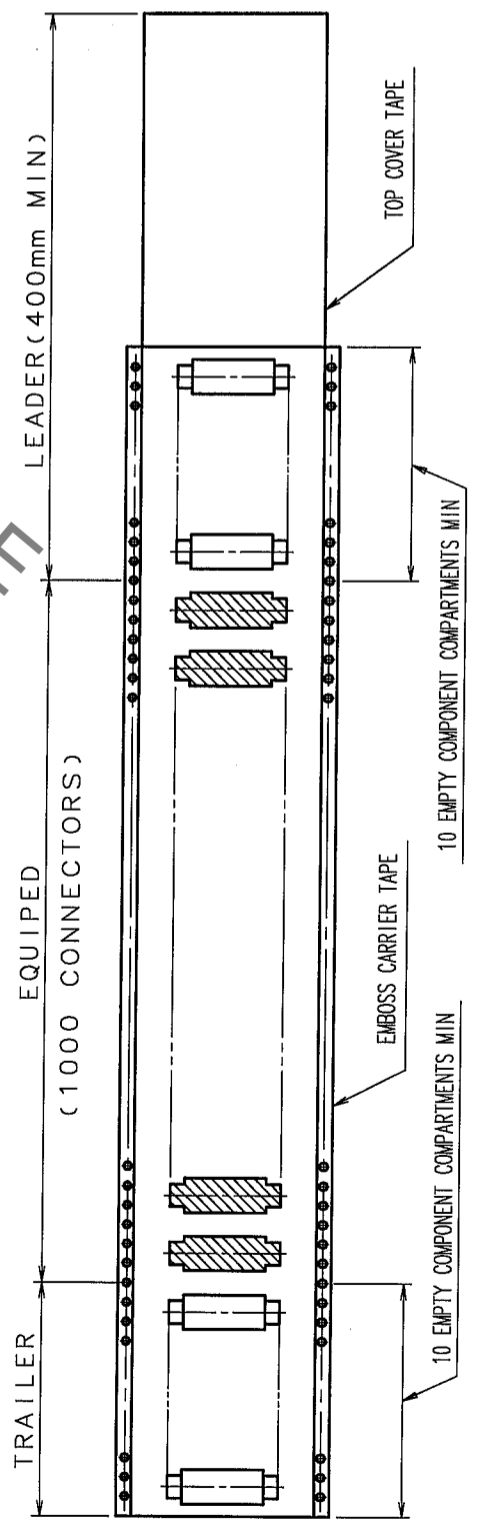
THE DIRECTION OF PULLING OUT



REELED DIMENSION (FREE)



NOTE 1 1 REEL: 1000 CONNECTORS.



NO.	MATERIAL	FINISH, REMARKS	NO.	MATERIAL	FINISH, REMARKS
2	POLYESTER	TOP COVER TAPE	4	CONNECTOR	
1	PS	EMBOSS CARRIER TAPE	3	POLYIMIDE	TAPE FOR VACUUM PICKUP

CODE NO. (OLD)	CL	DRAWN	DESIGNED	CHECKED	APPROVED	RELEASED
		K.SHIBUYA	K.SHIBUYA	H.YAMAGUCHI	H.OKAWA	
		05.01.28	05.01.28	05.01.31	05.01.31	

DRAWING NO.	PART NO.
EDC3-155329	FX15-31S-0.5SV

SCALE	UNITS	CODE NO.
2 : 1	mm	CL575-2201-7

Looking for pricing, stock, or lifecycle information?

Click below to explore more details on WIN SOURCE:

[View FX15-31S-0.5SV on WIN SOURCE](#)

[Hirose Electric Co Ltd Information](#)

Optimize Your Supply Chain with WIN SOURCE Solutions

- ✓ Global Sourcing Solution
- ✓ Obsolete Management
- ✓ Cost Control Management
- ✓ Shortage Management
- ✓ Alternative Solution
- ✓ Excess Inventory Management