

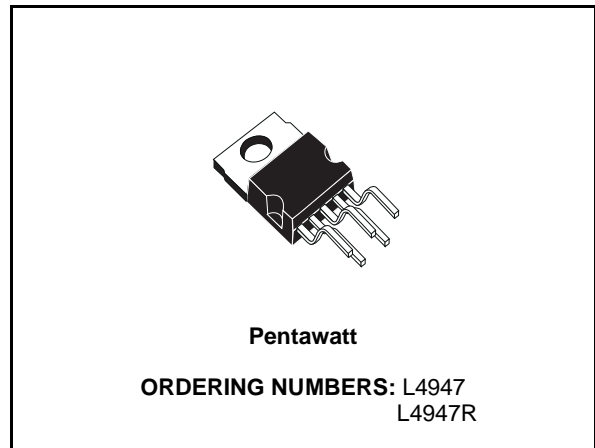


THE DATASHEET OF L4947



5V-0.5A VERY LOW DROP REGULATOR WITH RESET

- PRECISE OUTPUT VOLTAGE ($5V \pm 4\%$) OVER FULL TEMPERATURE RANGE ($-40 / 125^{\circ}C$)
- VERY LOW VOLTAGE DROP ($0.75V_{max}$) OVER FULL T RANGE
- OUTPUT CURRENT UP TO 500mA
- RESET FUNCTION
- POWER-ON RESET DELAY PULSE DEFINED BY THE EXTERNAL CAPACITOR
- + 80V LOAD DUMP PROTECTION
- - 80V LOAD DUMP PROTECTION
- REVERSE VOLTAGE PROTECTION
- SHORT CIRCUIT PROTECTION AND THERMAL SHUT-DOWN (with hysteresis)
- LOW START UP CURRENT

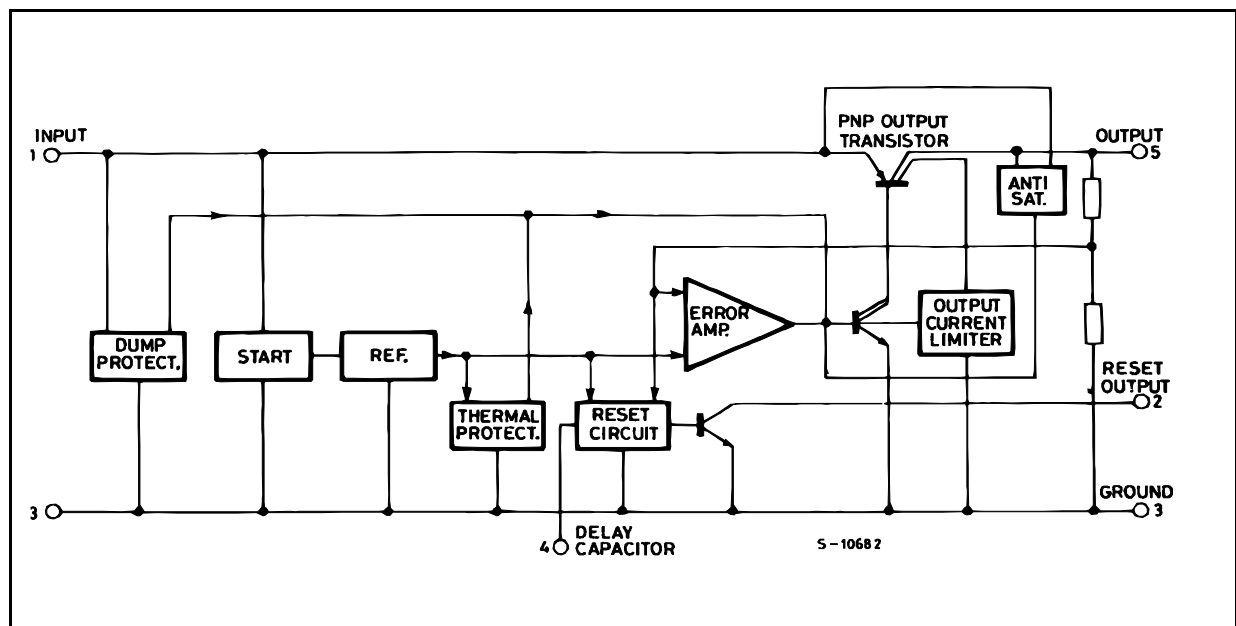


DESCRIPTION

The L4947/L4947R is a monolithic integrated circuit in Pentawatt package specially designed to provide a stabilized supply voltage for automotive and industrial electronic systems. Thanks to its very low voltage drop, in automotive applications the L4947/L4947R can work correctly even during the cranking phase, when the battery voltage

could fall as low as 6V. Furthermore, it incorporates a complete range of protection circuits against the dangerous overvoltages always present on the battery rail of the car. The reset function makes the device particularly suited to supply microprocessor based systems : a signal is available (after an externally programmable delay) to reset the microprocessor at power-on phase ; at power-off, this signal becomes low inhibiting the microprocessor.

BLOCK DIAGRAM



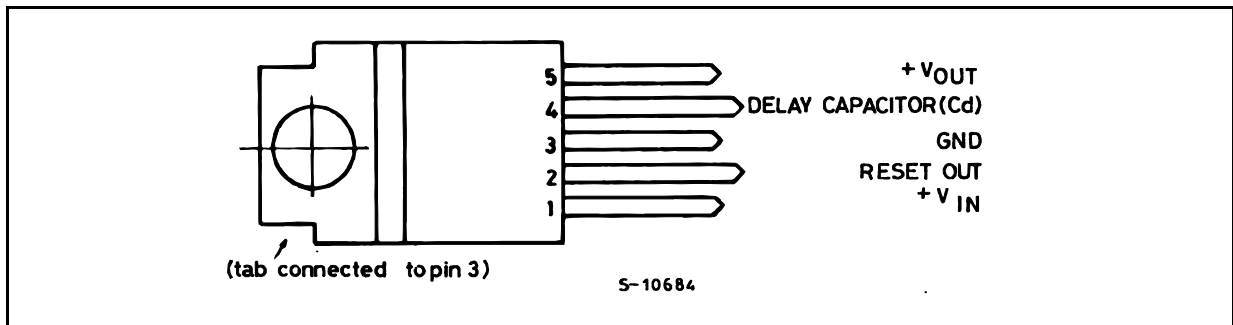
L4947 - L4947R

ABSOLUTE MAXIMUM RATINGS

Symbol	Parameter	Value	Unit
V_i	DC Input Voltage	35	V
	DC Reverse Input Voltage	-18	V
	Transient Input Overvoltages : Load Dump :	80	V
	$5\text{ms} \leq t_{\text{rise}} \leq 10\text{ms}$ τ_f Fall Time Constant = 100ms $R_{\text{SOURCE}} \geq 0.5\Omega$	-80	V
	Field Decay : $5\text{ms} \leq t_{\text{fall}} \leq 10\text{ms}$, $R_{\text{SOURCE}} \geq 10\Omega$ τ_r Rise Time Constant = 33ms	± 100	V
V_R	Reset Output Voltage	35	V
	T_J , T_{stg}	-55 to 150	$^{\circ}\text{C}$

Note: The circuit is ESD protected according to MIL-STD-883C.

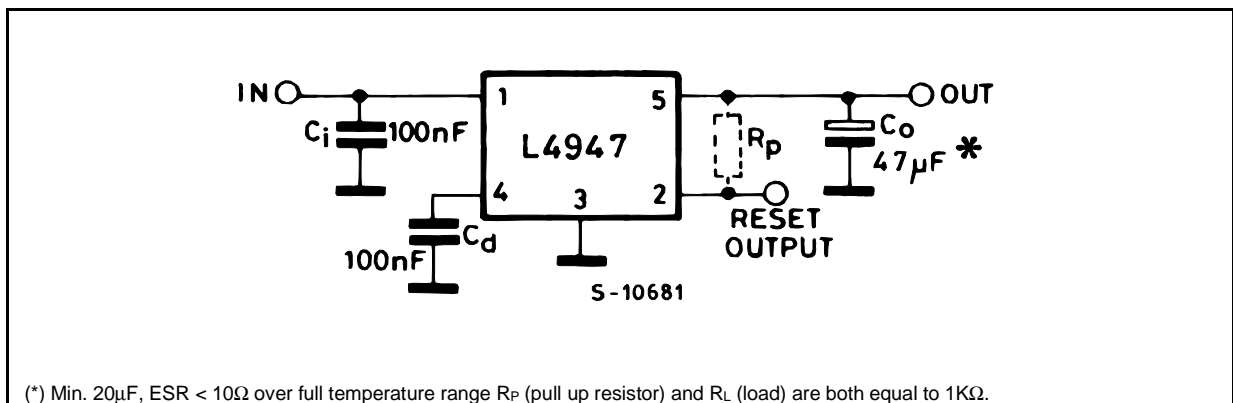
PIN CONNECTION (Top view)



THERMAL DATA

Symbol	Parameter	Value	Unit
$R_{\text{th j-case}}$	Thermal Resistance Junction-case	Max 3.5	$^{\circ}\text{C/W}$

TEST CIRCUIT



(*) Min. 20 μF , ESR < 10 Ω over full temperature range R_p (pull up resistor) and R_L (load) are both equal to 1K Ω .

ELECTRICAL CHARACTERISTICS (refer to the test circuit, $V_i = 14.4\text{V}$, $C_o = 47\mu\text{F}$, $\text{ESR} < 10\Omega$, $R_p = 1\text{K}\Omega$, $R_L = 1\text{K}\Omega$, $-40^\circ\text{C} \leq T_J \leq 125^\circ\text{C}$, unless otherwise specified)

Symbol	Parameter	Test Conditions	Min.	Typ.	Max.	Unit
V_o	Output Voltage	$I_o = 0\text{mA}$ to 500mA Over Full T Range $T_J = 25^\circ\text{C}$	4.80	5.00	5.20	V
			4.90	5.00	5.10	V
V_i	Operating Input Voltage	$I_o = 0\text{mA}$ to (*) 500mA	6		26	V
ΔV_o	Line Regulation	$V_i = 6\text{V}$ to 26V ; $I_o = 5\text{mA}$		2	10	mV
ΔV_o	Load Regulation	$I_o = 5\text{mA}$ to 500mA		15	60	mV
$V_i - V_o$	Dropout Voltage	$I_o = 500\text{mA}$, $T_J = 25^\circ\text{C}$ Over Full T Range		0.40	0.55	V
					0.75	V
I_q	Quiescent Current	$I_o = 0\text{mA}$, $T_J = 25^\circ\text{C}$ $I_o = 0\text{mA}$ Over Full T $I_o = 500\text{mA}$ Over Full T		5	10	mA
				6.5	13	mA
				110	180	mA
$\frac{\Delta V_o}{T}$	Temperature Output Voltage Drift			-0.5		mV/ $^\circ\text{C}$
SVR	Supply Volt. Rej.	$I_o = 350\text{mA}$; $f = 120\text{Hz}$ $C_o = 100\mu\text{F}$; $V_i = 12\text{V} \pm 5V_{pp}$	50	60		dB
I_{sc}	Output Short Circuit Current		0.50	0.80	1.50	A
V_R	Reset Output Saturation Voltage	$1.5\text{V} < V_o < V_{RT(off)}$, $I_R = 1.6\text{mA}$ $3.0\text{V} < V_o < V_{RT(off)}$, $I_R = 8\text{mA}$			0.40	V
					0.40	V
I_R	Reset Output Leakage Current	V_o in Regulation, $V_R = 5\text{V}$			50	μA
$V_{RT(peak)}$	Power On-Off Reset out Peak Voltage	$1\text{K}\Omega$ Reset Pull-up to V_o , $T_J = 25^\circ\text{C}$		0.50	0.80	V
$V_{RT(off)}$	Power OFF V_o Threshold	$T_J = 25^\circ\text{C}$ L4947: V_o @ Reset Out H to L Transition L4947R: V_o @ Reset Out H to L Transition	4.70	Vo-0.15		V
			4.75			V
			4.55	Vo-0.30		V
$V_{RT(on)}$	Power ON V_o Threshold	V_o @ Reset Out L to H Transition		$V_{RT(off)} + 0.05$	$V_o - 0.04$	V
V_{Hyst}	Power ON-Off Hysteresis	$V_{RT(on)} - V_{RT(off)}$		0.05		V
V_d	Delay Comparator Threshold	V_d @ Reset Out L to H Transition	3.65	4.00	4.35	V
		V_d @ Reset Out H to L Transition	3.20	3.55	3.90	V
V_{dH}	Delay Comparator Hysteresis			0.45		V
I_d	Delay Capacitor Charging Current	$V_d = 3\text{V}$, $T_J = 25^\circ\text{C}$		20		μA
V_{disch}	Delay Capacitor Discharge Voltage	$V_o < V_{RT(off)}$		0.55	1.20	V
T_d	Power on Reset Delay Time	$C_d = 100\text{nF}$, $T_J = 25^\circ\text{C}$	10	20	30	ms

(*) For a DC voltage $26 < V_i < 37\text{V}$ the device is not operating

FUNCTIONAL DESCRIPTION

The L4947/L4947R is a very low drop 5V/0.5A voltage regulator provided with a reset function and therefore particularly suited to meet the requirements of supplying the microprocessor systems used in automotive and industrial applications.

The block diagram shows the basic structure of the device : the reference, the error amplifier, the

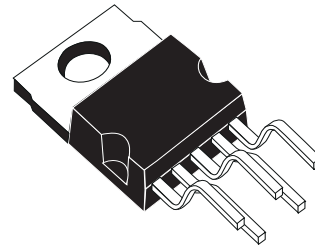
driver, the power PNP, the protection and reset functions.

The power stage is a Lateral PNP transistor which allows a very low dropout voltage (typ. 400mV at $T_J = 25^\circ\text{C}$, max. 750mV over the full temperature range @ $I_o = 500\text{mA}$). The typical curve of the dropout voltage as a function of the junction temperature is shown in Fig. 1 : that is the worst case, where $I_o = 500\text{mA}$.

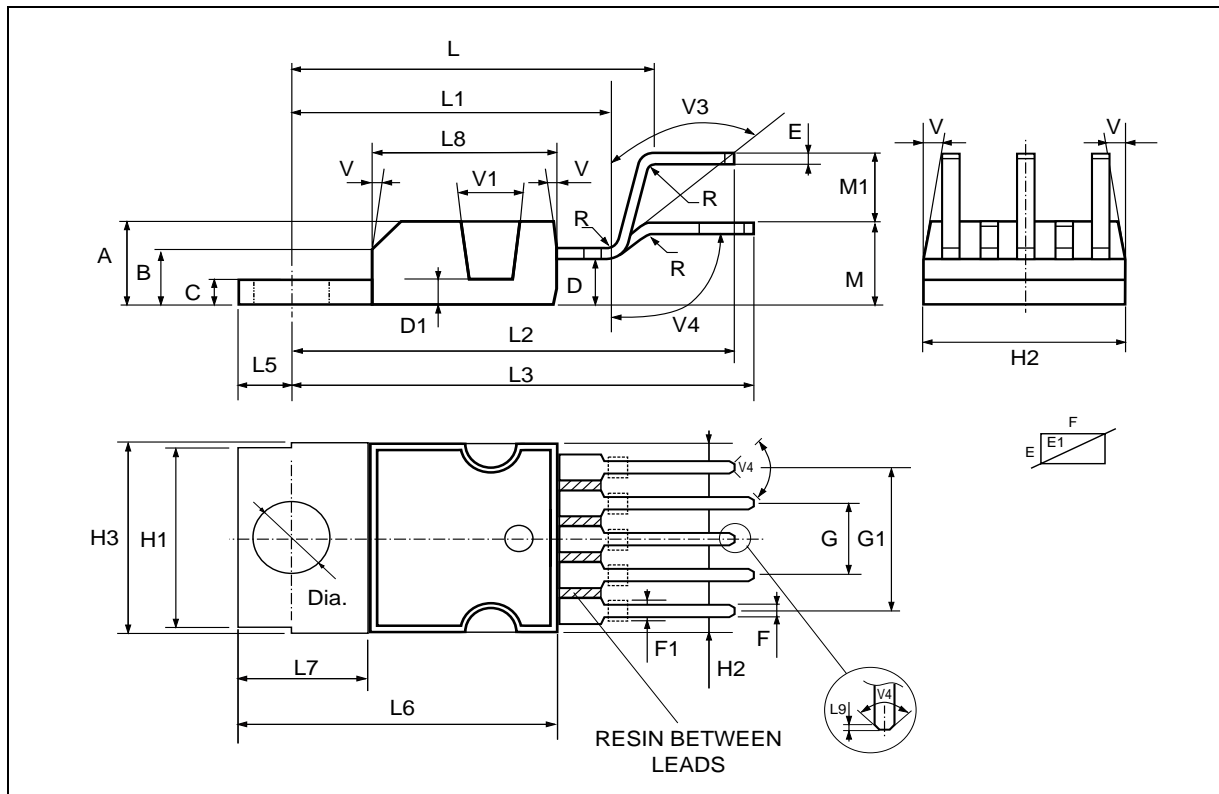


DIM.	mm			inch		
	MIN.	TYP.	MAX.	MIN.	TYP.	MAX.
A			4.8			0.189
C			1.37			0.054
D	2.4		2.8	0.094		0.110
D1	1.2		1.35	0.047		0.053
E	0.35		0.55	0.014		0.022
E1	0.76		1.19	0.030		0.047
F	0.8		1.05	0.031		0.041
F1	1		1.4	0.039		0.055
G	3.2	3.4	3.6	0.126	0.134	0.142
G1	6.6	6.8	7	0.260	0.268	0.276
H2			10.4			0.409
H3	10.05		10.4	0.396		0.409
L	17.55	17.85	18.15	0.691	0.703	0.715
L1	15.55	15.75	15.95	0.612	0.620	0.628
L2	21.2	21.4	21.6	0.831	0.843	0.850
L3	22.3	22.5	22.7	0.878	0.886	0.894
L4			1.29			0.051
L5	2.6		3	0.102		0.118
L6	15.1		15.8	0.594		0.622
L7	6		6.6	0.236		0.260
L9		0.2			0.008	
M	4.23	4.5	4.75	0.167	0.177	0.187
M1	3.75	4	4.25	0.148	0.157	0.167
V4	40° (typ.)					

OUTLINE AND MECHANICAL DATA



Pentawatt V



Information furnished is believed to be accurate and reliable. However, STMicroelectronics assumes no responsibility for the consequences of use of such information nor for any infringement of patents or other rights of third parties which may result from its use. No license is granted by implication or otherwise under any patent or patent rights of STMicroelectronics. Specification mentioned in this publication are subject to change without notice. This publication supersedes and replaces all information previously supplied. STMicroelectronics products are not authorized for use as critical components in life support devices or systems without express written approval of STMicroelectronics.

The ST logo is a registered trademark of STMicroelectronics

© 2000 STMicroelectronics – Printed in Italy – All Rights Reserved


STMicroelectronics GROUP OF COMPANIES

Australia - Brazil - China - Finland - France - Germany - Hong Kong - India - Italy - Japan - Malaysia - Malta - Morocco -
Singapore - Spain - Sweden - Switzerland - United Kingdom - U.S.A.

<http://www.st.com>

Looking for pricing, stock, or lifecycle information?

Click below to explore more details on WIN SOURCE:

-  [View L4947](#) on WIN SOURCE
-  [STMicroelectronics](#) Information

Optimize Your Supply Chain with WIN SOURCE Solutions

-  Global Sourcing Solution
-  Obsolete Management
-  Cost Control Management
-  Shortage Management
-  Alternative Solution
-  Excess Inventory Management