



---

## Features

- AVR<sup>®</sup> – High-performance and Low-power RISC Architecture
  - 118 Powerful Instructions – Most Single Clock Cycle Execution
  - 32 x 8 General-purpose Working Registers
  - Up to 8 MIPS Throughput at 8 MHz
- Data and Nonvolatile Program Memories
  - 8K Bytes of In-System Programmable Flash  
SPI Serial Interface for In-System Programming  
Endurance: 1,000 Write/Erase Cycles
  - 512 Bytes EEPROM  
Endurance: 100,000 Write/Erase Cycles
  - 512 Bytes Internal SRAM
  - Programming Lock for Software Security
- Peripheral Features
  - 8-channel, 10-bit ADC
  - Programmable UART
  - Master/Slave SPI Serial Interface
  - Two 8-bit Timer/Counters with Separate Prescaler and Compare Mode
  - One 16-bit Timer/Counter with Separate Prescaler, Compare and Capture Modes and Dual 8-, 9-, or 10-bit PWM
  - Programmable Watchdog Timer with On-chip Oscillator
  - On-chip Analog Comparator
- Special Microcontroller Features
  - Power-on Reset Circuit
  - Real-time Clock (RTC) with Separate Oscillator and Counter Mode
  - External and Internal Interrupt Sources
  - Three Sleep Modes: Idle, Power Save and Power-down
- Power Consumption at 4 MHz, 3V, 20°C
  - Active: 6.4 mA
  - Idle Mode: 1.9 mA
  - Power-down Mode: <1 µA
- I/O and Packages
  - 32 Programmable I/O Lines
  - 40-lead PDIP, 44-lead PLCC, 44-lead TQFP, and 44-pad MLF
- Operating Voltages
  - V<sub>CC</sub>: 4.0 - 6.0V AT90S8535
  - V<sub>CC</sub>: 2.7 - 6.0V AT90LS8535
- Speed Grades:
  - 0 - 8 MHz for the AT90S8535
  - 0 - 4 MHz for the AT90LS8535



---

**8-bit AVR<sup>®</sup>  
Microcontroller  
with 8K Bytes  
In-System  
Programmable  
Flash**

---

**AT90S8535  
AT90LS8535**

---

Rev. 1041H-11/01



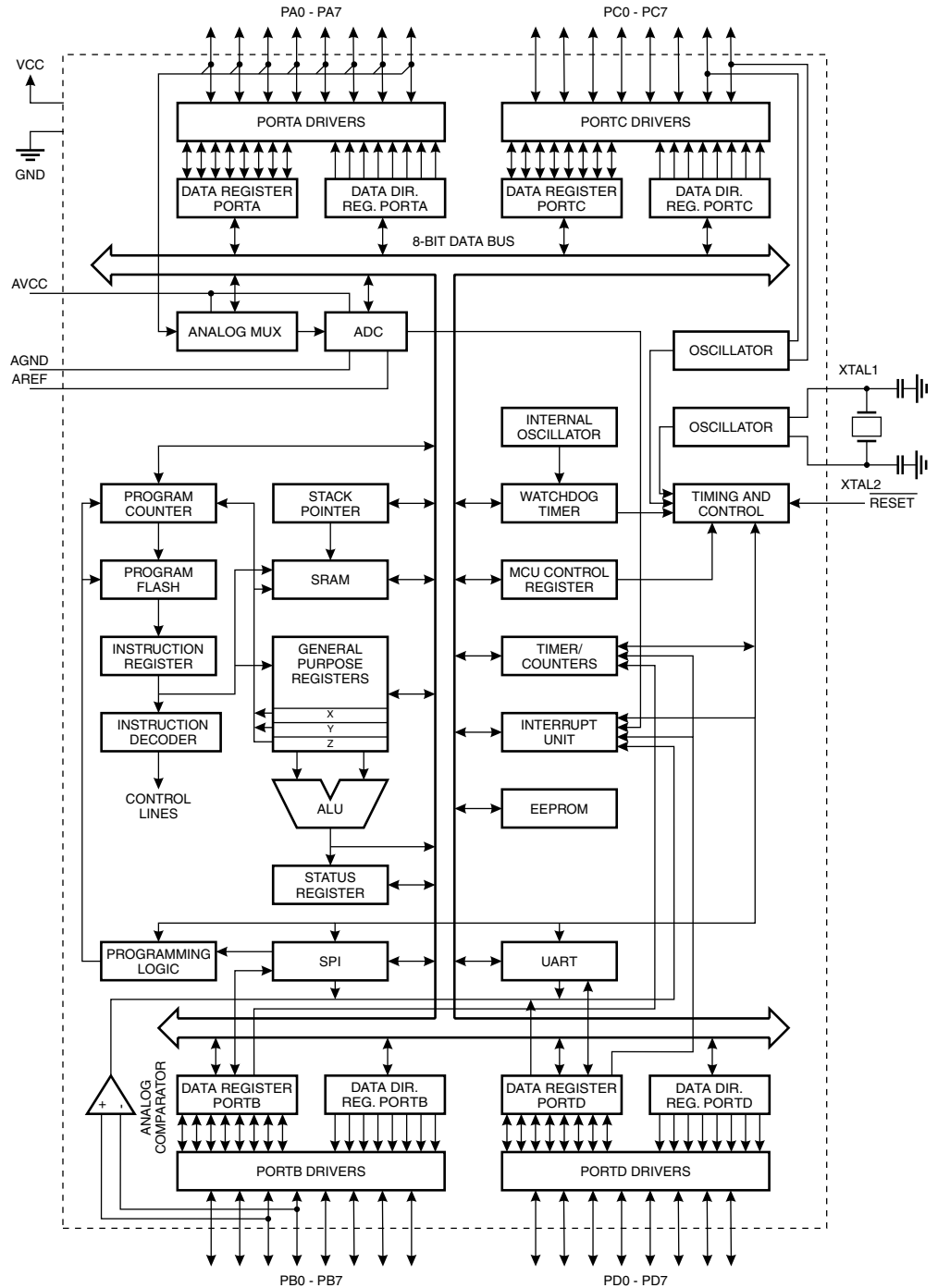


**Description**

The AT90S8535 is a low-power CMOS 8-bit microcontroller based on the AVR RISC architecture. By executing powerful instructions in a single clock cycle, the AT90S8535 achieves throughputs approaching 1 MIPS per MHz allowing the system designer to optimize power consumption versus processing speed.

**Block Diagram**

**Figure 1.** The AT90S8535 Block Diagram





The AVR core combines a rich instruction set with 32 general-purpose working registers. All the 32 registers are directly connected to the Arithmetic Logic Unit (ALU), allowing two independent registers to be accessed in one single instruction executed in one clock cycle. The resulting architecture is more code efficient while achieving throughputs up to ten times faster than conventional CISC microcontrollers.

The AT90S8535 provides the following features: 8K bytes of In-System Programmable Flash, 512 bytes EEPROM, 512 bytes SRAM, 32 general-purpose I/O lines, 32 general-purpose working registers, Real-time Clock (RTC), three flexible timer/counters with compare modes, internal and external interrupts, a programmable serial UART, 8-channel, 10-bit ADC, programmable Watchdog Timer with internal oscillator, an SPI serial port and three software-selectable power-saving modes. The Idle Mode stops the CPU while allowing the SRAM, timer/counters, SPI port and interrupt system to continue functioning. The Power-down mode saves the register contents but freezes the oscillator, disabling all other chip functions until the next interrupt or hardware reset. In Power Save Mode, the timer oscillator continues to run, allowing the user to maintain a timer base while the rest of the device is sleeping.

The device is manufactured using Atmel's high-density nonvolatile memory technology. The On-chip ISP Flash allows the program memory to be reprogrammed in-system through an SPI serial interface or by a conventional nonvolatile memory programmer. By combining an 8-bit RISC CPU with In-System Programmable Flash on a monolithic chip, the Atmel AT90S8535 is a powerful microcontroller that provides a highly flexible and cost effective solution to many embedded control applications.

The AT90S8535 AVR is supported with a full suite of program and system development tools including: C compilers, macro assemblers, program debugger/simulators, in-circuit emulators and evaluation kits.

## Pin Descriptions

|                          |   |
|--------------------------|---|
| <b>VCC</b>               | Digital supply voltage.   |
| <b>GND</b>               | Digital ground.   |
| <b>Port A (PA7..PA0)</b> | <p>Port A is an 8-bit bi-directional I/O port. Port pins can provide internal pull-up resistors (selected for each bit). The Port A output buffers can sink 20 mA and can drive LED displays directly. When pins PA0 to PA7 are used as inputs and are externally pulled low, they will source current if the internal pull-up resistors are activated.</p> <p>Port A also serves as the analog inputs to the A/D Converter.</p> <p>The Port A pins are tri-stated when a reset condition becomes active, even if the clock is not running.</p> |
| <b>Port B (PB7..PB0)</b> | <p>Port B is an 8-bit bi-directional I/O port with internal pull-up resistors. The Port B output buffers can sink 20 mA. As inputs, Port B pins that are externally pulled low will source current if the pull-up resistors are activated. Port B also serves the functions of various special features of the AT90S8535 as listed on page 78.</p> <p>The Port B pins are tri-stated when a reset condition becomes active, even if the clock is not running.</p>   |
| <b>Port C (PC7..PC0)</b> | <p>Port C is an 8-bit bi-directional I/O port with internal pull-up resistors. The Port C output buffers can sink 20 mA. As inputs, Port C pins that are externally pulled low will source</p>  |

current if the pull-up resistors are activated. Two Port C pins can alternatively be used as oscillator for Timer/Counter2.

The Port C pins are tri-stated when a reset condition becomes active, even if the clock is not running.

**Port D (PD7..PD0)**

Port D is an 8-bit bi-directional I/O port with internal pull-up resistors. The Port D output buffers can sink 20 mA. As inputs, Port D pins that are externally pulled low will source current if the pull-up resistors are activated.

Port D also serves the functions of various special features of the AT90S8535 as listed on page 86.

The Port D pins are tri-stated when a reset condition becomes active, even if the clock is not running.

 **$\overline{\text{RESET}}$** 

Reset input. An external reset is generated by a low level on the  $\overline{\text{RESET}}$  pin. Reset pulses longer than 50 ns will generate a reset, even if the clock is not running. Shorter pulses are not guaranteed to generate a reset.

**XTAL1**

Input to the inverting oscillator amplifier and input to the internal clock operating circuit.

**XTAL2**

Output from the inverting oscillator amplifier.

**AVCC**

AVCC is the supply voltage pin for Port A and the A/D Converter. If the ADC is not used, this pin must be connected to VCC. If the ADC is used, this pin must be connected to VCC via a low-pass filter. See page 68 for details on operation of the ADC.

**AREF**

AREF is the analog reference input for the A/D Converter. For ADC operations, a voltage in the range 2V to  $AV_{CC}$  must be applied to this pin.

**AGND**

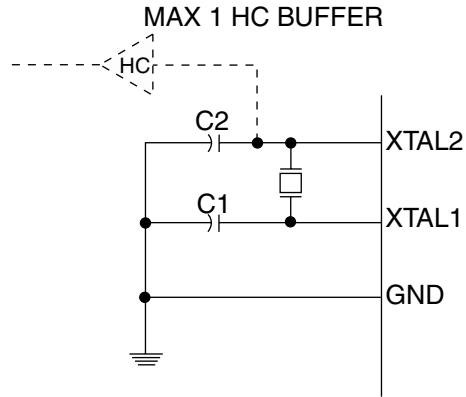
Analog ground. If the board has a separate analog ground plane, this pin should be connected to this ground plane. Otherwise, connect to GND.

## Clock Options

### Crystal Oscillator

XTAL1 and XTAL2 are input and output, respectively, of an inverting amplifier which can be configured for use as an on-chip oscillator, as shown in Figure 2. Either a quartz crystal or a ceramic resonator may be used.

**Figure 2.** Oscillator Connections

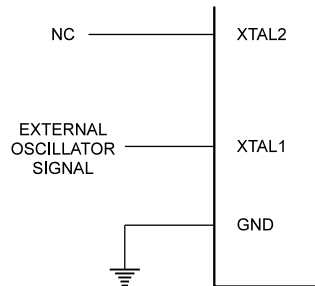


Note: When using the MCU Oscillator as a clock for an external device, an HC buffer should be connected as indicated in the figure.

### External Clock

To drive the device from an external clock source, XTAL2 should be left unconnected while XTAL1 is driven as shown in Figure 3.

**Figure 3.** External Clock Drive Configuration



### Timer Oscillator

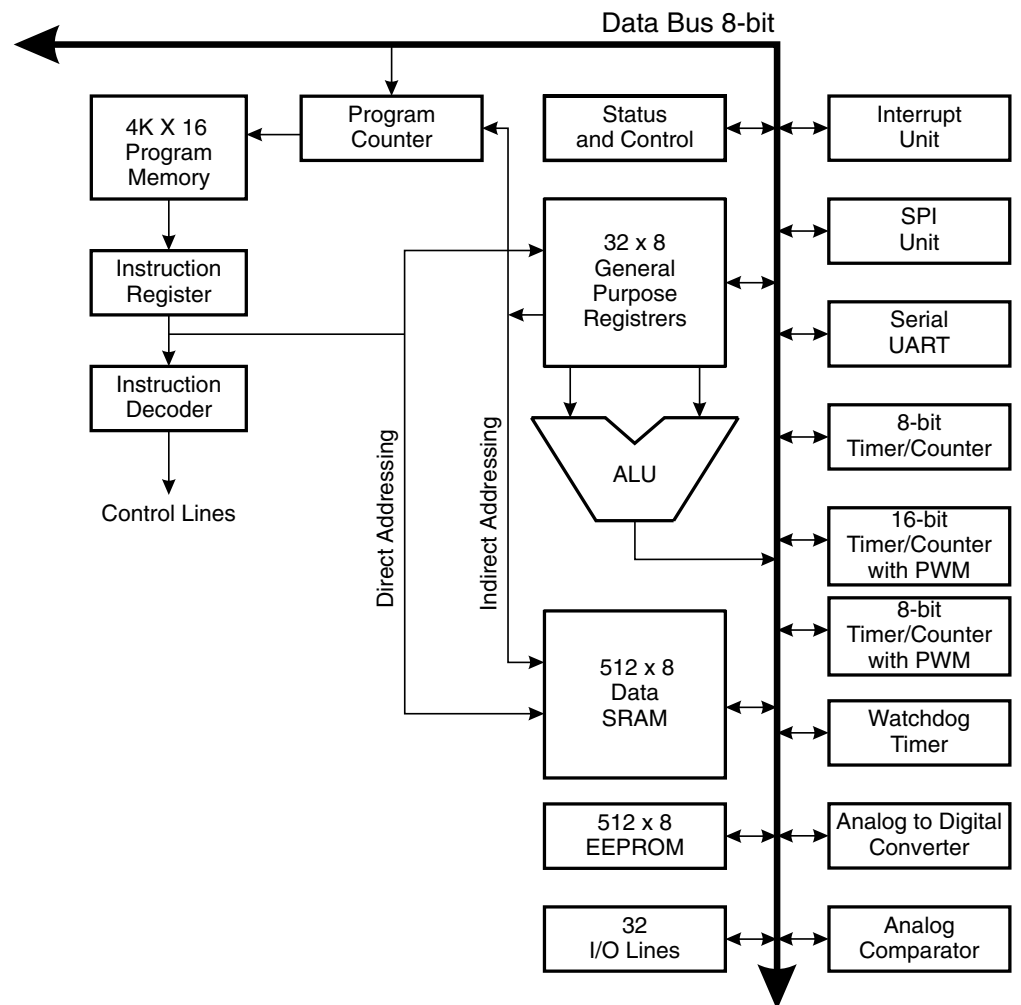
For the Timer Oscillator pins, TOSC1 and TOSC2, the crystal is connected directly between the pins. No external capacitors are needed. The oscillator is optimized for use with a 32,768 Hz watch crystal. Applying an external clock source to TOSC1 is not recommended.

## Architectural Overview

The fast-access register file concept contains 32 x 8-bit general-purpose working registers with a single clock cycle access time. This means that during one single clock cycle, one Arithmetic Logic Unit (ALU) operation is executed. Two operands are output from the register file, the operation is executed and the result is stored back in the register file – in one clock cycle.

Six of the 32 registers can be used as three 16-bit indirect address register pointers for Data Space addressing, enabling efficient address calculations. One of the three address pointers is also used as the address pointer for the constant table look-up function. These added function registers are the 16-bit X-register, Y-register, and Z-register.

**Figure 4.** The AT90S8535 AVR RISC Architecture



The ALU supports arithmetic and logic functions between registers or between a constant and a register. Single register operations are also executed in the ALU. Figure 4 shows the AT90S8535 AVR RISC microcontroller architecture.

In addition to the register operation, the conventional memory addressing modes can be used on the register file as well. This is enabled by the fact that the register file is

assigned the 32 lowermost Data Space addresses (\$00 - \$1F), allowing them to be accessed as though they were ordinary memory locations.

The I/O memory space contains 64 addresses for CPU peripheral functions as Control Registers, Timer/Counters, A/D converters and other I/O functions. The I/O memory can be accessed directly or as the Data Space locations following those of the register file, \$20 - \$5F.

The AVR uses a Harvard architecture concept – with separate memories and buses for program and data. The program memory is executed with a two-stage pipeline. While one instruction is being executed, the next instruction is pre-fetched from the program memory. This concept enables instructions to be executed in every clock cycle. The program memory is in-system downloadable Flash memory.

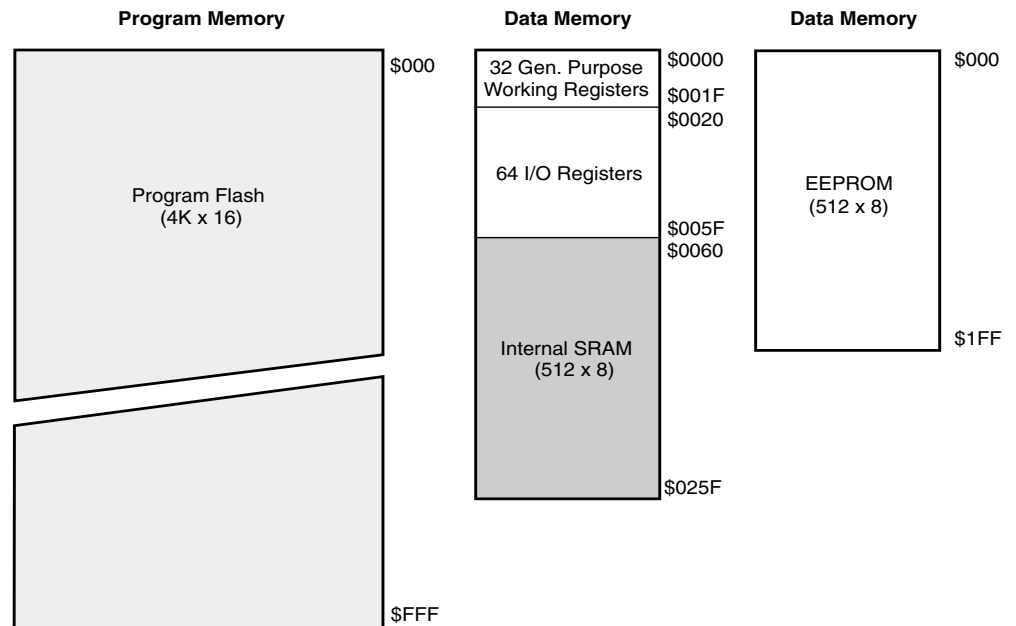
With the relative jump and call instructions, the whole 4K address space is directly accessed. Most AVR instructions have a single 16-bit word format. Every program memory address contains a 16- or 32-bit instruction.

During interrupts and subroutine calls, the return address Program Counter (PC) is stored on the stack. The stack is effectively allocated in the general data SRAM and consequently, the stack size is only limited by the total SRAM size and the usage of the SRAM. All user programs must initialize the SP in the reset routine (before subroutines or interrupts are executed). The 10-bit stack pointer (SP) is read/write-accessible in the I/O space.

The 512 bytes data SRAM can be easily accessed through the five different addressing modes supported in the AVR architecture.

The memory spaces in the AVR architecture are all linear and regular memory maps.

**Figure 5. Memory Maps**



A flexible interrupt module has its control registers in the I/O space with an additional global interrupt enable bit in the status register. All the different interrupts have a separate interrupt vector in the interrupt vector table at the beginning of the program

memory. The different interrupts have priority in accordance with their interrupt vector position. The lower the interrupt vector address, the higher the priority.

**General-purpose Register File**

Figure 6 shows the structure of the 32 general-purpose working registers in the CPU.

**Figure 6.** AVR CPU General-purpose Working Registers

|                                   | 7   | 0 | Addr. |                      |
|-----------------------------------|-----|---|-------|----------------------|
| General Purpose Working Registers | R0  |   | \$00  |                      |
|                                   | R1  |   | \$01  |                      |
|                                   | R2  |   | \$02  |                      |
|                                   | ... |   |       |                      |
|                                   | R13 |   | \$0D  |                      |
|                                   | R14 |   | \$0E  |                      |
|                                   | R15 |   | \$0F  |                      |
|                                   | R16 |   | \$10  |                      |
|                                   | R17 |   | \$11  |                      |
|                                   | ... |   |       |                      |
|                                   | R26 |   | \$1A  | X-register low byte  |
|                                   | R27 |   | \$1B  | X-register high byte |
|                                   | R28 |   | \$1C  | Y-register low byte  |
|                                   | R29 |   | \$1D  | Y-register high byte |
|                                   | R30 |   | \$1E  | Z-register low byte  |
|                                   | R31 |   | \$1F  | Z-register high byte |

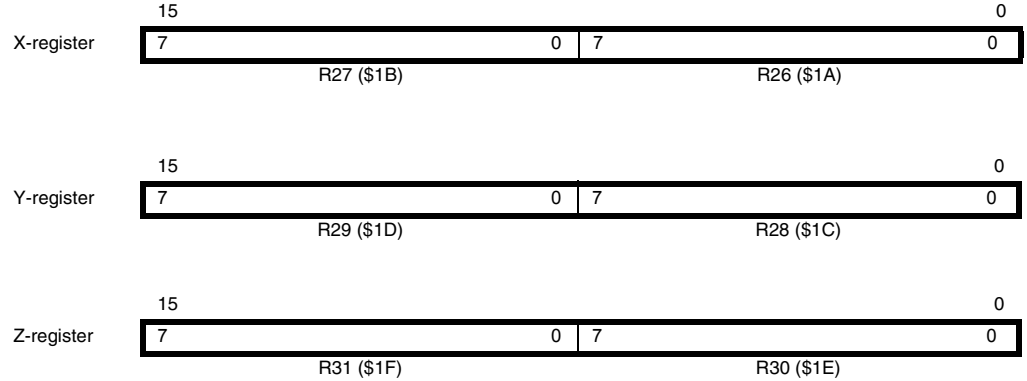
All the register operating instructions in the instruction set have direct and single-cycle access to all registers. The only exception is the five constant arithmetic and logic instructions SBCI, SUBI, CPI, ANDI and ORI between a constant and a register and the LDI instruction for load immediate constant data. These instructions apply to the second half of the registers in the register file (R16..R31). The general SBC, SUB, CP, AND, and OR and all other operations between two registers or on a single register apply to the entire register file.

As shown in Figure 6, each register is also assigned a data memory address, mapping them directly into the first 32 locations of the user Data Space. Although not being physically implemented as SRAM locations, this memory organization provides great flexibility in access of the registers, as the X-, Y-, and Z-registers can be set to index any register in the file.

### X-register, Y-register and Z-register

The registers R26..R31 have some added functions to their general-purpose usage. These registers are address pointers for indirect addressing of the Data Space. The three indirect address registers, X, Y, and Z, are defined in Figure 7.

**Figure 7.** X-, Y-, and Z-register



In the different addressing modes, these address registers have functions as fixed displacement, automatic increment and decrement (see the descriptions for the different instructions).

### ALU – Arithmetic Logic Unit

The high-performance AVR ALU operates in direct connection with all the 32 general-purpose working registers. Within a single clock cycle, ALU operations between registers in the register file are executed. The ALU operations are divided into three main categories: arithmetic, logical and bit functions.

### In-System Programmable Flash Program Memory

The AT90S8535 contains 8K bytes On-chip, In-System Programmable Flash memory for program storage. Since all instructions are 16- or 32-bit words, the Flash is organized as 4K x 16. The Flash memory has an endurance of at least 1000 write/erase cycles. The AT90S8535 Program Counter (PC) is 12 bits wide, thus addressing the 4096 program memory addresses.

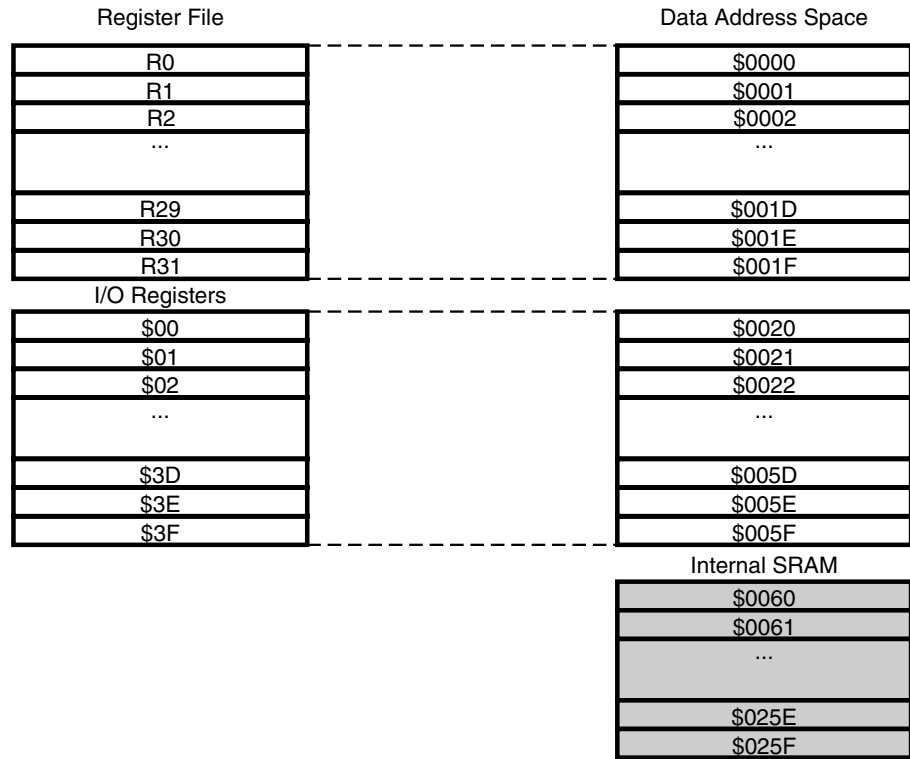
See page 99 for a detailed description on Flash data downloading.

See page 12 for the different program memory addressing modes.

SRAM Data Memory

Figure 8 shows how the AT90S8535 SRAM memory is organized.

Figure 8. SRAM Organization



The lower 608 data memory locations address the Register file, the I/O memory and the internal data SRAM. The first 96 locations address the Register file + I/O memory, and the next 512 locations address the internal data SRAM.

The five different addressing modes for the data memory cover: Direct, Indirect with Displacement, Indirect, Indirect with Pre-decrement and Indirect with Post-increment. In the register file, registers R26 to R31 feature the indirect addressing pointer registers.

The direct addressing reaches the entire data space.

The Indirect with Displacement mode features 63 address locations reached from the base address given by the Y- or Z-registers.

When using register indirect addressing modes with automatic pre-decrement and post-increment, the address registers X, Y, and Z are decremented and incremented.

The 32 general-purpose working registers, 64 I/O registers and the 512 bytes of internal data SRAM in the AT90S8535 are all accessible through all these addressing modes.

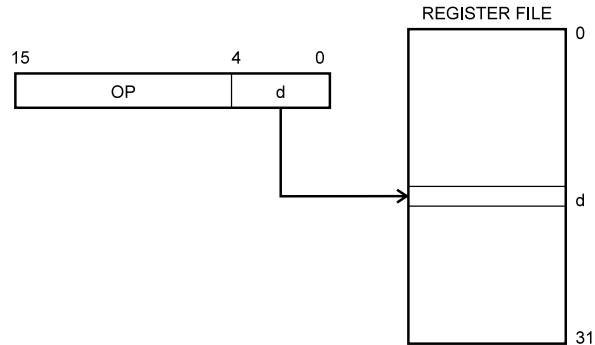
See the next section for a detailed description of the different addressing modes.

## Program and Data Addressing Modes

The AT90S8535 AVR RISC microcontroller supports powerful and efficient addressing modes for access to the program memory (Flash) and data memory (SRAM, register file and I/O memory). This section describes the different addressing modes supported by the AVR architecture. In the figures, OP means the operation code part of the instruction word. To simplify, not all figures show the exact location of the addressing bits.

### Register Direct, Single Register Rd

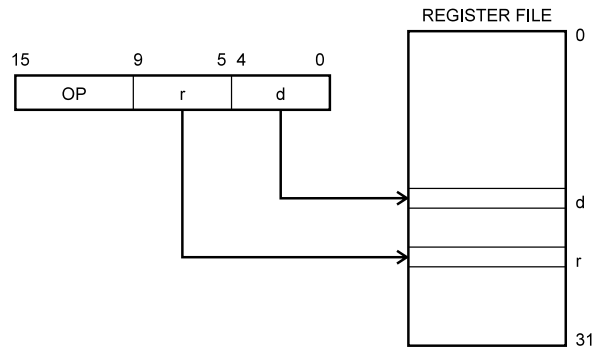
**Figure 9.** Direct Single Register Addressing



The operand is contained in register d (Rd).

### Register Direct, Two Registers Rd And Rr

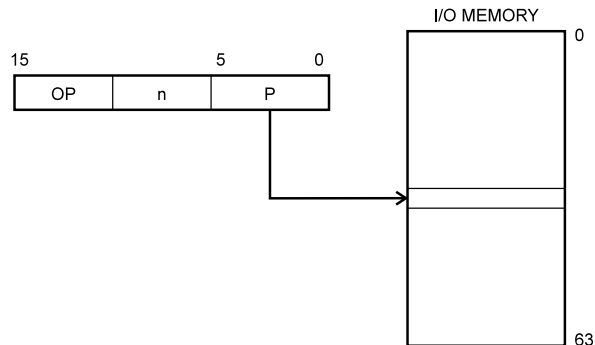
**Figure 10.** Direct Register Addressing, Two Registers



Operands are contained in register r (Rr) and d (Rd). The result is stored in register d (Rd).

### I/O Direct

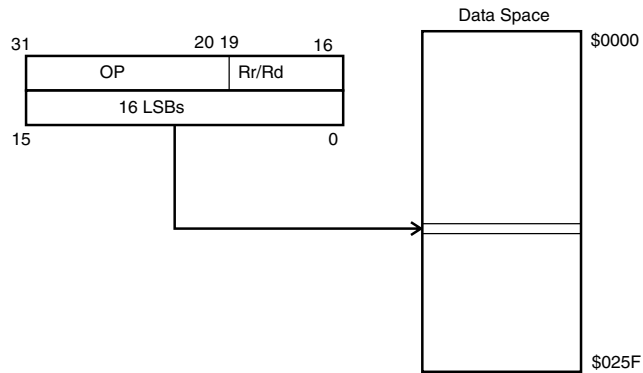
**Figure 11.** I/O Direct Addressing



Operand address is contained in six bits of the instruction word. n is the destination or source register address.

Data Direct

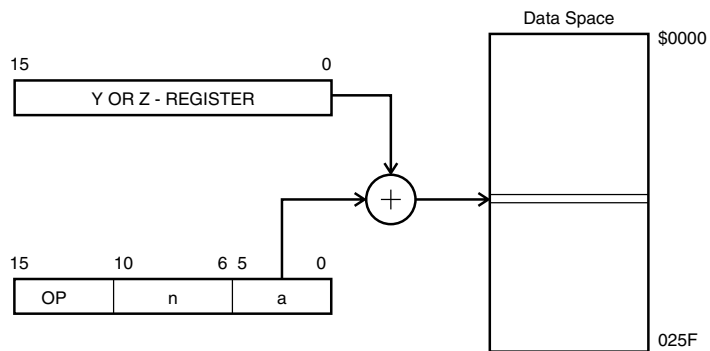
Figure 12. Direct Data Addressing



A 16-bit data address is contained in the 16 LSBs of a 2-word instruction. Rd/Rr specify the destination or source register.

Data Indirect with Displacement

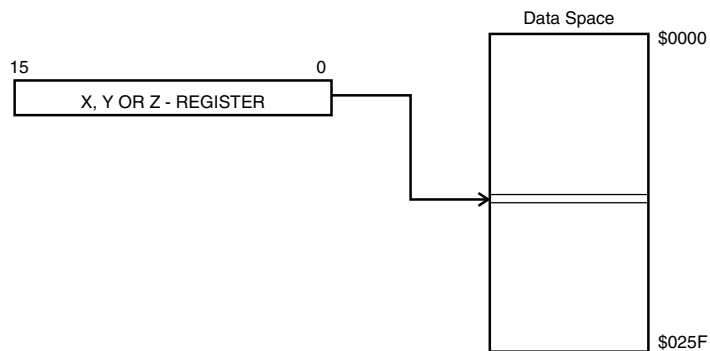
Figure 13. Data Indirect with Displacement



Operand address is the result of the Y- or Z-register contents added to the address contained in six bits of the instruction word.

Data Indirect

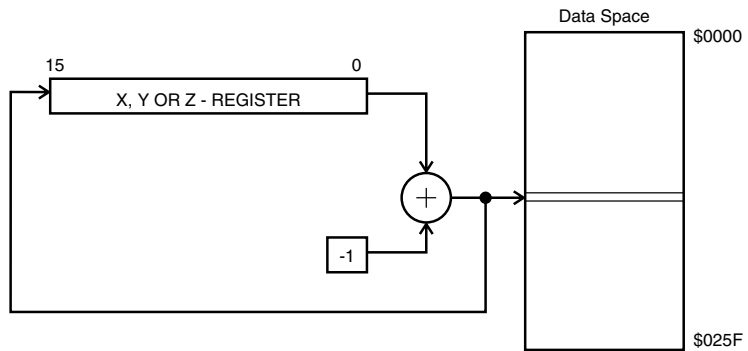
Figure 14. Data Indirect Addressing



Operand address is the contents of the X-, Y-, or the Z-register.

### Data Indirect with Pre-decrement

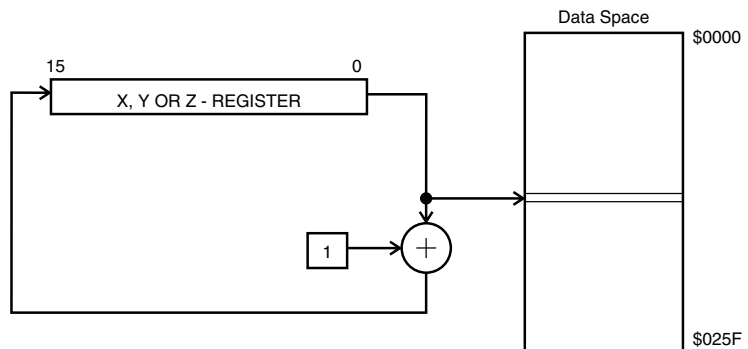
**Figure 15.** Data Indirect Addressing with Pre-decrement



The X-, Y-, or the Z-register is decremented before the operation. Operand address is the decremented contents of the X-, Y-, or the Z-register.

### Data Indirect with Post-increment

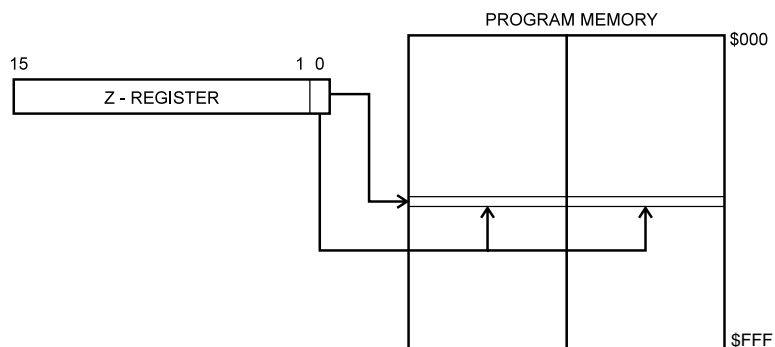
**Figure 16.** Data Indirect Addressing with Post-increment



The X-, Y-, or the Z-register is incremented after the operation. Operand address is the content of the X-, Y-, or the Z-register prior to incrementing.

### Constant Addressing Using the LPM Instruction

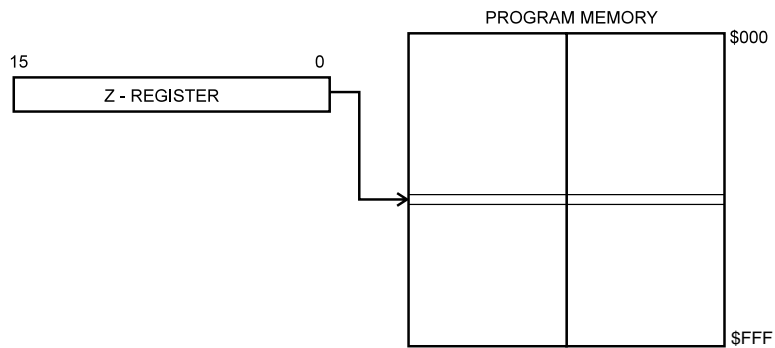
**Figure 17.** Code Memory Constant Addressing



Constant byte address is specified by the Z-register contents. The 15 MSBs select word address (0 - 4K), the LSB selects low byte if cleared (LSB = 0) or high byte if set (LSB = 1).

**Indirect Program Addressing, IJMP and ICALL**

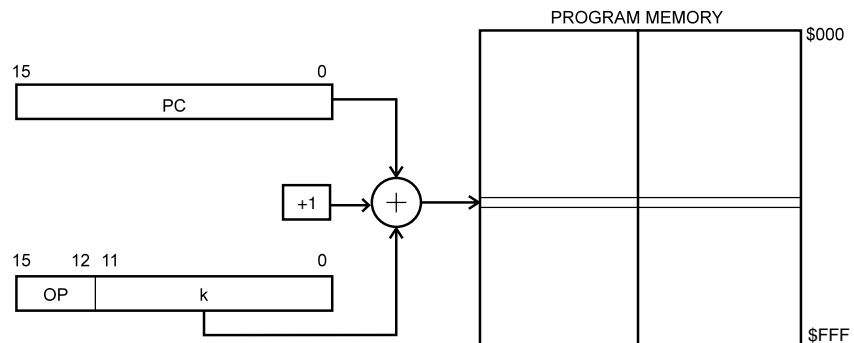
**Figure 18. Indirect Program Memory Addressing**



Program execution continues at address contained by the Z-register (i.e., the PC is loaded with the contents of the Z-register).

**Relative Program Addressing, RJMP and RCALL**

**Figure 19. Relative Program Memory Addressing**



Program execution continues at address  $PC + k + 1$ . The relative address  $k$  is from -2048 to 2047.

**EEPROM Data Memory**

The AT90S8535 contains 512 bytes of data EEPROM memory. It is organized as a separate data space, in which single bytes can be read and written. The EEPROM has an endurance of at least 100,000 write/erase cycles. The access between the EEPROM and the CPU is described on page 51 specifying the EEPROM address registers, the EEPROM data register and the EEPROM control register.

For the SPI data downloading, see page 99 for a detailed description.

**Memory Access Times and Instruction Execution Timing**

This section describes the general access timing concepts for instruction execution and internal memory access.

The AVR CPU is driven by the System Clock  $\emptyset$ , directly generated from the external clock crystal for the chip. No internal clock division is used.

Figure 20 shows the parallel instruction fetches and instruction executions enabled by the Harvard architecture and the fast-access register file concept. This is the basic pipelining concept to obtain up to 1 MIPS per MHz with the corresponding unique results for functions per cost, functions per clocks and functions per power-unit.

**Figure 20.** The Parallel Instruction Fetches and Instruction Executions

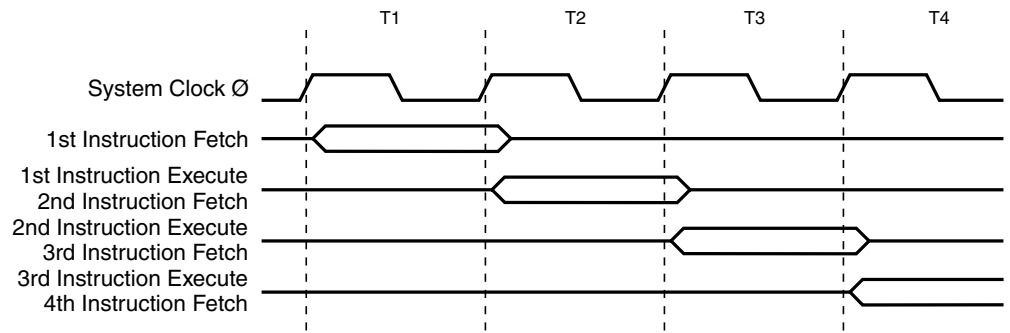
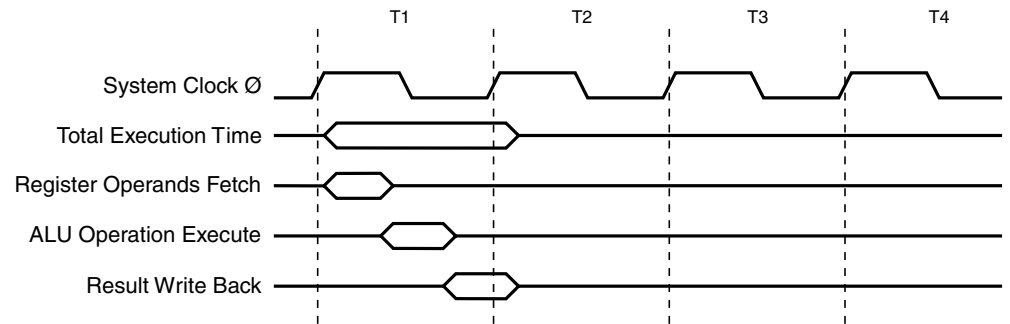


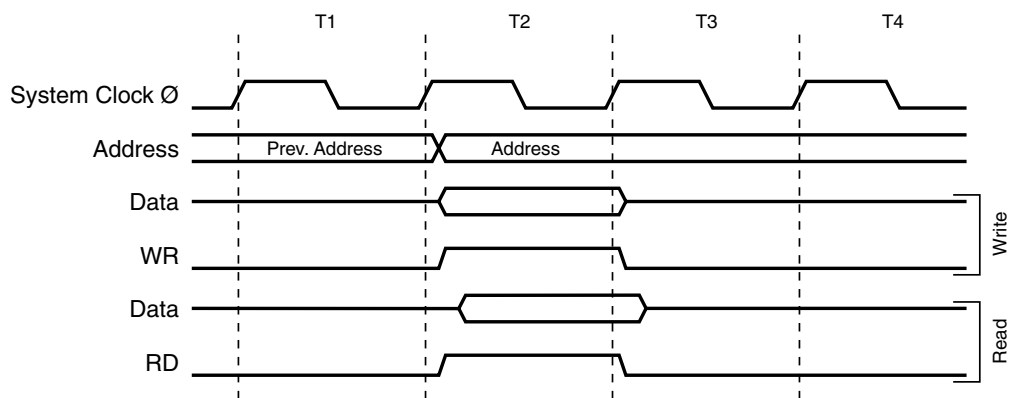
Figure 21 shows the internal timing concept for the register file. In a single clock cycle an ALU operation using two register operands is executed and the result is stored back to the destination register.

**Figure 21.** Single Cycle ALU Operation



The internal data SRAM access is performed in two System Clock cycles as described in Figure 22.

**Figure 22.** On-chip Data SRAM Access Cycles



## I/O Memory

The I/O space definition of the AT90S8535 is shown in Table 1.

**Table 1.** AT90S8535 I/O Space

| I/O Address<br>(SRAM Address) | Name   | Function   |
|-------------------------------|--------|--|
| \$3F (\$5F)                   | SREG   | Status REGISTER                                    |
| \$3E (\$5E)                   | SPH    | Stack Pointer High                                 |
| \$3D (\$5D)                   | SPL    | Stack Pointer Low                                  |
| \$3B (\$5B)                   | GIMSK  | General Interrupt MaSK register                    |
| \$3A (\$5A)                   | GIFR   | General Interrupt Flag Register                    |
| \$39 (\$59)                   | TIMSK  | Timer/Counter Interrupt MaSK register              |
| \$38 (\$58)                   | TIFR   | Timer/Counter Interrupt Flag register              |
| \$35 (\$55)                   | MCUCR  | MCU general Control Register                       |
| \$34 (\$45)                   | MCUSR  | MCU general Status Register                        |
| \$33 (\$53)                   | TCCR0  | Timer/Counter0 Control Register                    |
| \$32 (\$52)                   | TCNT0  | Timer/Counter0 (8-bit)                             |
| \$2F (\$4F)                   | TCCR1A | Timer/Counter1 Control Register A                  |
| \$2E (\$4E)                   | TCCR1B | Timer/Counter1 Control Register B                  |
| \$2D (\$4D)                   | TCNT1H | Timer/Counter1 High Byte                           |
| \$2C (\$4C)                   | TCNT1L | Timer/Counter1 Low Byte                            |
| \$2B (\$4B)                   | OCR1AH | Timer/Counter1 Output Compare Register A High Byte |
| \$2A (\$4A)                   | OCR1AL | Timer/Counter1 Output Compare Register A Low Byte  |
| \$29 (\$49)                   | OCR1BH | Timer/Counter1 Output Compare Register B High Byte |
| \$28 (\$48)                   | OCR1BL | Timer/Counter1 Output Compare Register B Low Byte  |
| \$27 (\$47)                   | ICR1H  | T/C 1 Input Capture Register High Byte             |
| \$26 (\$46)                   | ICR1L  | T/C 1 Input Capture Register Low Byte              |
| \$25 (\$45)                   | TCCR2  | Timer/Counter2 Control Register                    |
| \$24 (\$44)                   | TCNT2  | Timer/Counter2 (8-bit)                             |
| \$23 (\$43)                   | OCR2   | Timer/Counter2 Output Compare Register             |
| \$22 (\$42)                   | ASSR   | Asynchronous Mode Status Register                  |
| \$21 (\$41)                   | WDTCR  | Watchdog Timer Control Register                    |
| \$1F (\$3E)                   | EEARH  | EEPROM Address Register High Byte                  |
| \$1E (\$3E)                   | EEARL  | EEPROM Address Register Low Byte                   |
| \$1D (\$3D)                   | EEDR   | EEPROM Data Register                               |
| \$1C (\$3C)                   | EECR   | EEPROM Control Register                            |
| \$1B (\$3B)                   | PORTA  | Data Register, Port A                              |
| \$1A (\$3A)                   | DDRA   | Data Direction Register, Port A                    |
| \$19 (\$39)                   | PINA   | Input Pins, Port A                                 |
| \$18 (\$38)                   | PORTB  | Data Register, Port B                              |





**Table 1.** AT90S8535 I/O Space (Continued)

| I/O Address<br>(SRAM Address) | Name  | Function                                      |
|-------------------------------|-------|---|
| \$17 (\$37)                   | DDRB  | Data Direction Register, Port B               |
| \$16 (\$36)                   | PINB  | Input Pins, Port B                            |
| \$15 (\$35)                   | PORTC | Data Register, Port C                         |
| \$14 (\$34)                   | DDRC  | Data Direction Register, Port C               |
| \$13 (\$33)                   | PINC  | Input Pins, Port C                            |
| \$12 (\$32)                   | PORTD | Data Register, Port D                         |
| \$11 (\$31)                   | DDRD  | Data Direction Register, Port D               |
| \$10 (\$30)                   | PIND  | Input Pins, Port D                            |
| \$0F (\$2F)                   | SPDR  | SPI I/O Data Register                         |
| \$0E (\$2E)                   | SPSR  | SPI Status Register                           |
| \$0D (\$2D)                   | SPCR  | SPI Control Register                          |
| \$0C (\$2C)                   | UDR   | UART I/O Data Register                        |
| \$0B (\$2B)                   | USR   | UART Status Register                          |
| \$0A (\$2A)                   | UCR   | UART Control Register                         |
| \$09 (\$29)                   | UBRR  | UART Baud Rate Register                       |
| \$08 (\$28)                   | ACSR  | Analog Comparator Control and Status Register |
| \$07 (\$27)                   | ADMUX | ADC Multiplexer Select Register               |
| \$06 (\$26)                   | ADCSR | ADC Control and Status Register               |
| \$05 (\$25)                   | ADCH  | ADC Data Register High                        |
| \$04 (\$24)                   | ADCL  | ADC Data Register Low                         |

Note: Reserved and unused locations are not shown in the table.

All AT90S8535 I/Os and peripherals are placed in the I/O space. The I/O locations are accessed by the IN and OUT instructions transferring data between the 32 general-purpose working registers and the I/O space. I/O registers within the address range \$00 - \$1F are directly bit-accessible using the SBI and CBI instructions. In these registers, the value of single bits can be checked by using the SBIS and SBIC instructions. Refer to the instruction set section for more details. When using the I/O specific commands IN and OUT, the I/O addresses \$00 - \$3F must be used. When addressing I/O registers as SRAM, \$20 must be added to these addresses. All I/O register addresses throughout this document are shown with the SRAM address in parentheses.

For compatibility with future devices, reserved bits should be written to zero if accessed. Reserved I/O memory addresses should never be written.

Some of the status flags are cleared by writing a logical “1” to them. Note that the CBI and SBI instructions will operate on all bits in the I/O register, writing a “1” back into any flag read as set, thus clearing the flag. The CBI and SBI instructions work with registers \$00 to \$1F only.

The I/O and peripherals control registers are explained in the following sections.

**Status Register – SREG**

The AVR Status Register (SREG) at I/O space location \$3F (\$5F) is defined as:

|               |     |     |     |     |     |     |     |     |      |
|---------------|-----|-----|-----|-----|-----|-----|-----|-----|------|
| Bit           | 7   | 6   | 5   | 4   | 3   | 2   | 1   | 0   |      |
| \$3F (\$5F)   | I   | T   | H   | S   | V   | N   | Z   | C   | SREG |
| Read/Write    | R/W | R/W | R/W | R/W | R/W | R/W | R/W | R/W |      |
| Initial Value | 0   | 0   | 0   | 0   | 0   | 0   | 0   | 0   |      |

- **Bit 7 – I: Global Interrupt Enable**

The global interrupt enable bit must be set (one) for the interrupts to be enabled. The individual interrupt enable control is then performed in separate control registers. If the global interrupt enable register is cleared (zero), none of the interrupts are enabled independent of the individual interrupt enable settings. The I-bit is cleared by hardware after an interrupt has occurred and is set by the RETI instruction to enable subsequent interrupts.

- **Bit 6 – T: Bit Copy Storage**

The bit copy instructions BLD (Bit Load) and BST (Bit Store) use the T-bit as source and destination for the operated bit. A bit from a register in the register file can be copied into T by the BST instruction and a bit in T can be copied into a bit in a register in the register file by the BLD instruction.

- **Bit 5 – H: Half-carry Flag**

The half-carry flag H indicates a half-carry in some arithmetic operations. See the Instruction Set description for detailed information.

- **Bit 4 – S: Sign Bit,  $S = N \oplus V$**

The S-bit is always an exclusive or between the negative flag N and the two's complement overflow flag V. See the Instruction Set description for detailed information.

- **Bit 3 – V: Two's Complement Overflow Flag**

The two's complement overflow flag V supports two's complement arithmetics. See the Instruction Set description for detailed information.

- **Bit 2 – N: Negative Flag**

The negative flag N indicates a negative result from an arithmetical or logical operation. See the Instruction Set description for detailed information.

- **Bit 1 – Z: Zero Flag**

The zero flag Z indicates a zero result from an arithmetical or logic operation. See the Instruction Set description for detailed information.

- **Bit 0 – C: Carry Flag**

The carry flag C indicates a carry in an arithmetical or logical operation. See the Instruction Set description for detailed information.

Note that the Status Register is not automatically stored when entering an interrupt routine and restored when returning from an interrupt routine. This must be handled by software.



## Stack Pointer – SP

The AT90S8535 Stack Pointer is implemented as two 8-bit registers in the I/O space locations \$3E (\$5E) and \$3D (\$5D). As the AT90S8535 data memory has \$25F locations, 10 bits are used.

|               |     |     |     |     |     |     |     |     |     |
|---------------|-----|-----|-----|-----|-----|-----|-----|-----|-----|
| Bit           | 15  | 14  | 13  | 12  | 11  | 10  | 9   | 8   |     |
| \$3E (\$5E)   | –   | –   | –   | –   | –   | –   | SP9 | SP8 | SPH |
| \$3D (\$5D)   | SP7 | SP6 | SP5 | SP4 | SP3 | SP2 | SP1 | SP0 | SPL |
|               | 7   | 6   | 5   | 4   | 3   | 2   | 1   | 0   |     |
| Read/Write    | R   | R   | R   | R   | R   | R   | R/W | R/W |     |
|               | R/W | R/W | R/W | R/W | R/W | R/W | R/W | R/W |     |
| Initial Value | 0   | 0   | 0   | 0   | 0   | 0   | 0   | 0   |     |
|               | 0   | 0   | 0   | 0   | 0   | 0   | 0   | 0   |     |

The Stack Pointer points to the data SRAM stack area where the Subroutine and Interrupt stacks are located. This stack space in the data SRAM must be defined by the program before any subroutine calls are executed or interrupts are enabled. The Stack Pointer must be set to point above \$60. The Stack Pointer is decremented by 1 when data is pushed onto the stack with the PUSH instruction and it is decremented by 2 when an address is pushed onto the stack with subroutine calls and interrupts. The Stack Pointer is incremented by 1 when data is popped from the stack with the POP instruction and it is incremented by 2 when an address is popped from the stack with return from subroutine RET or return from interrupt RETI.

## Reset and Interrupt Handling

The AT90S8535 provides 16 different interrupt sources. These interrupts and the separate reset vector each have a separate program vector in the program memory space. All interrupts are assigned individual enable bits that must be set (one) together with the I-bit in the Status Register in order to enable the interrupt.

The lowest addresses in the program memory space are automatically defined as the Reset and Interrupt vectors. The complete list of vectors is shown in Table 2. The list also determines the priority levels of the different interrupts. The lower the address, the higher the priority level. RESET has the highest priority, and next is INT0 (the External Interrupt Request 0), etc.

**Table 2.** Reset and Interrupt Vectors

| Vector No. | Program Address | Source       | Interrupt Definition                            |
|------------|-----------------|--------------|---|
| 1          | \$000           | RESET        | Hardware Pin, Power-on Reset and Watchdog Reset |
| 2          | \$001           | INT0         | External Interrupt Request 0                    |
| 3          | \$002           | INT1         | External Interrupt Request 1                    |
| 4          | \$003           | TIMER2 COMP  | Timer/Counter2 Compare Match                    |
| 5          | \$004           | TIMER2 OVF   | Timer/Counter2 Overflow                         |
| 6          | \$005           | TIMER1 CAPT  | Timer/Counter1 Capture Event                    |
| 7          | \$006           | TIMER1 COMPA | Timer/Counter1 Compare Match A                  |
| 8          | \$007           | TIMER1 COMPB | Timer/Counter1 Compare Match B                  |
| 9          | \$008           | TIMER1 OVF   | Timer/Counter1 Overflow                         |
| 10         | \$009           | TIMER0 OVF   | Timer/Counter0 Overflow                         |
| 11         | \$00A           | SPI, STC     | SPI Serial Transfer Complete                    |
| 12         | \$00B           | UART, RX     | UART, Rx Complete                               |

**Table 2.** Reset and Interrupt Vectors (Continued)

| Vector No. | Program Address | Source     | Interrupt Definition     |
|------------|-----------------|------------|--------------------------|
| 13         | \$00C           | UART, UDRE | UART Data Register Empty |
| 14         | \$00D           | UART, TX   | UART, Tx Complete        |
| 15         | \$00E           | ADC        | ADC Conversion Complete  |
| 16         | \$00F           | EE_RDY     | EEPROM Ready             |
| 17         | \$010           | ANA_COMP   | Analog Comparator        |

The most typical and general program setup for the Reset and Interrupt vector addresses are:

```

Address Labels      Code      Comments
$000                rjmp     RESET      ; Reset Handler
$001                rjmp     EXT_INT0   ; IRQ0 Handler
$002                rjmp     EXT_INT1   ; IRQ1 Handler
$003                rjmp     TIM2_COMP  ; Timer2 Compare Handler
$004                rjmp     TIM2_OVF  ; Timer2 Overflow Handler
$005                rjmp     TIM1_CAPT  ; Timer1 Capture Handler
$006                rjmp     TIM1_COMP  ; Timer1 CompareA Handler
$007                rjmp     TIM1_COMPB ; Timer1 CompareB Handler
$008                rjmp     TIM1_OVF  ; Timer1 Overflow Handler
$009                rjmp     TIM0_OVF  ; Timer0 Overflow Handler
$00a                rjmp     SPI_STC;   ; SPI Transfer Complete Handler
$00b                rjmp     UART_RXC   ; UART RX Complete Handler
$00c                rjmp     UART_DRE   ; UDR Empty Handler
$00d                rjmp     UART_TXC   ; UART TX Complete Handler
$00e                rjmp     ADC       ; ADC Conversion Complete Interrupt
Handler
$00f                rjmp     EE_RDY    ; EEPROM Ready Handler
$010                rjmp     ANA_COMP  ; Analog Comparator Handler
$011    MAIN:      ldi     r16, high(RAMEND); Main program start
$012                out     SPH,r16
$013                ldi     r16, low(RAMEND) ;
$014                out     SPL,r16
$015                <instr> xxx
...                ...

```

**Reset Sources**

The AT90S8535 has three sources of reset:

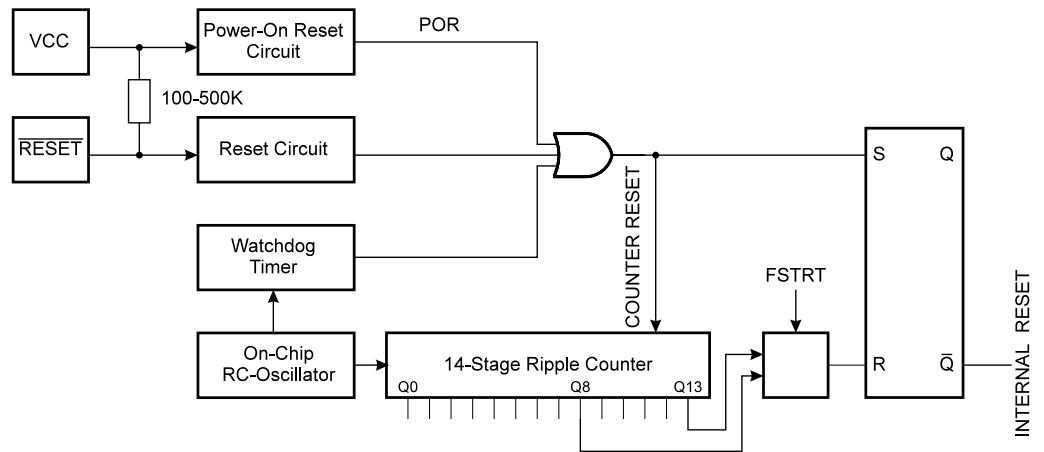
- Power-on Reset. The MCU is reset when the supply voltage is below the Power-on Reset threshold ( $V_{POT}$ ).
- External Reset. The MCU is reset when a low level is present on the RESET pin for more than 50 ns.
- Watchdog Reset. The MCU is reset when the Watchdog timer period expires and the Watchdog is enabled.

During reset, all I/O registers are set to their initial values and the program starts execution from address \$000. The instruction placed in address \$000 must be an RJMP (relative jump) instruction to the reset handling routine. If the program never enables an interrupt source, the interrupt vectors are not used and regular program code can be



placed at these locations. The circuit diagram in Figure 23 shows the reset logic. Table 3 defines the timing and electrical parameters of the reset circuitry.

**Figure 23.** Reset Logic



**Table 3.** Reset Characteristics ( $V_{CC} = 5.0V$ )

| Symbol          | Parameter   | Min  | Typ          | Max  | Units |
|-----------------|---|------|--------------|------|-------|
| $V_{POT}^{(1)}$ | Power-on Reset Threshold (rising)                 | 1.0  | 1.4          | 1.8  | V     |
|                 | Power-on Reset Threshold (falling)                | 0.4  | 0.6          | 0.8  | V     |
| $V_{RST}$       | $\overline{RESET}$ Pin Threshold Voltage          |      | $0.6 V_{CC}$ |      | V     |
| $t_{TOUT}$      | Reset Delay Time-out Period<br>FSTRT Unprogrammed | 11.0 | 16.0         | 21.0 | ms    |
| $t_{TOUT}$      | Reset Delay Time-out Period<br>FSTRT Programmed   | 1.0  | 1.1          | 1.2  | ms    |

Note: 1. The Power-on Reset will not work unless the supply voltage has been below  $V_{POT}$  (falling).

**Table 4.** Number of Watchdog Oscillator Cycles

| FSTRT        | Time-out at $V_{CC} = 5V$ | Number of WDT Cycles |
|--------------|---------------------------|----------------------|
| Programmed   | 1.1 ms                    | 1K                   |
| Unprogrammed | 16.0 ms                   | 16K                  |

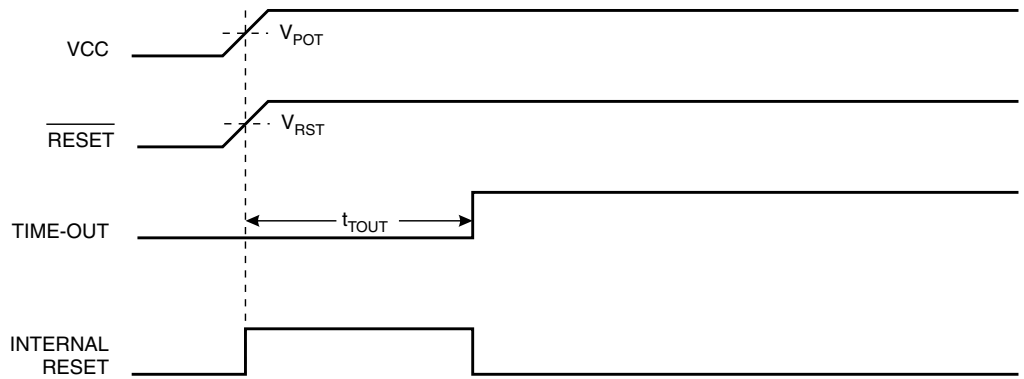
## Power-on Reset

A Power-on Reset (POR) circuit ensures that the device is reset from power-on. As shown in Figure 23, an internal timer clocked from the Watchdog Timer oscillator prevents the MCU from starting until after a certain period after  $V_{CC}$  has reached the Power-on Threshold voltage ( $V_{POT}$ ), regardless of the  $V_{CC}$  rise time (see Figure 24).

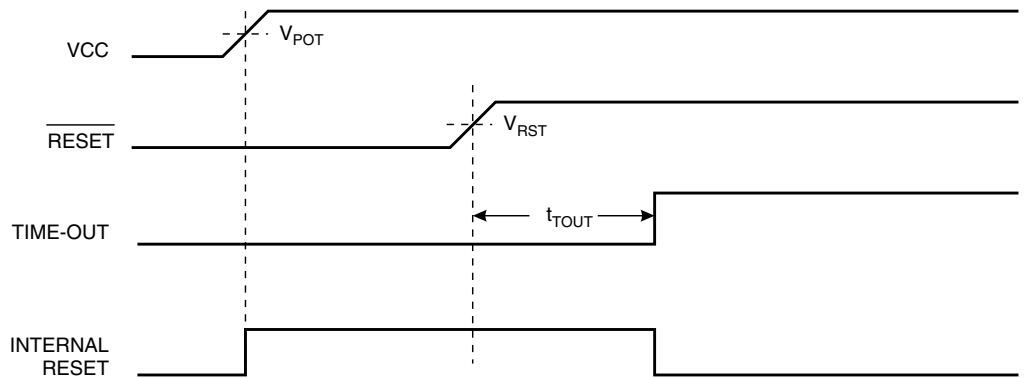
The user can select the start-up time according to typical oscillator start-up time. The number of WDT oscillator cycles is shown in Table 4. The frequency of the Watchdog oscillator is voltage-dependent as shown in “Typical Characteristics” on page 107.

If the built-in start-up delay is sufficient,  $\overline{RESET}$  can be connected to  $V_{CC}$  directly or via an external pull-up resistor. By holding the pin low for a period after  $V_{CC}$  has been applied, the Power-on Reset period can be extended. Refer to Figure 25 for a timing example of this.

**Figure 24.** MCU Start-up,  $\overline{\text{RESET}}$  Tied to  $V_{CC}$ .



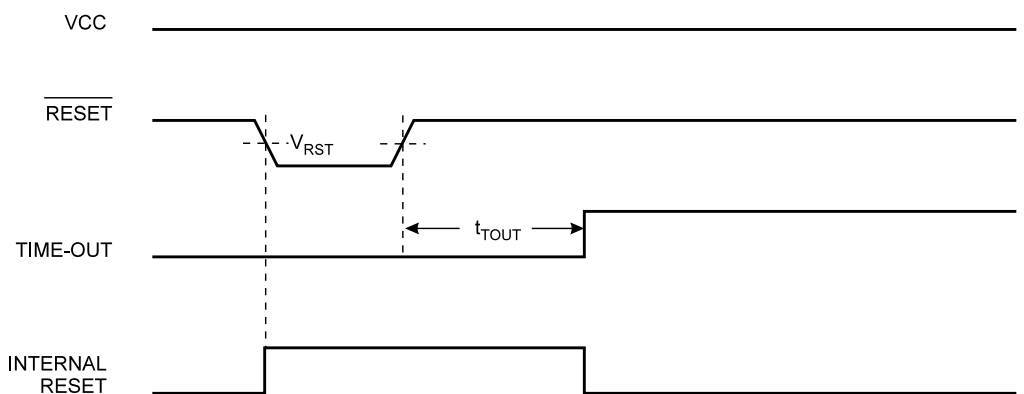
**Figure 25.** MCU Start-up,  $\overline{\text{RESET}}$  Controlled Externally



**External Reset**

An external reset is generated by a low level on the  $\overline{\text{RESET}}$  pin. Reset pulses longer than 50 ns will generate a reset, even if the clock is not running. Shorter pulses are not guaranteed to generate a reset. When the applied signal reaches the Reset Threshold Voltage ( $V_{RST}$ ) on its positive edge, the delay timer starts the MCU after the Time-out period  $t_{TOUT}$  has expired.

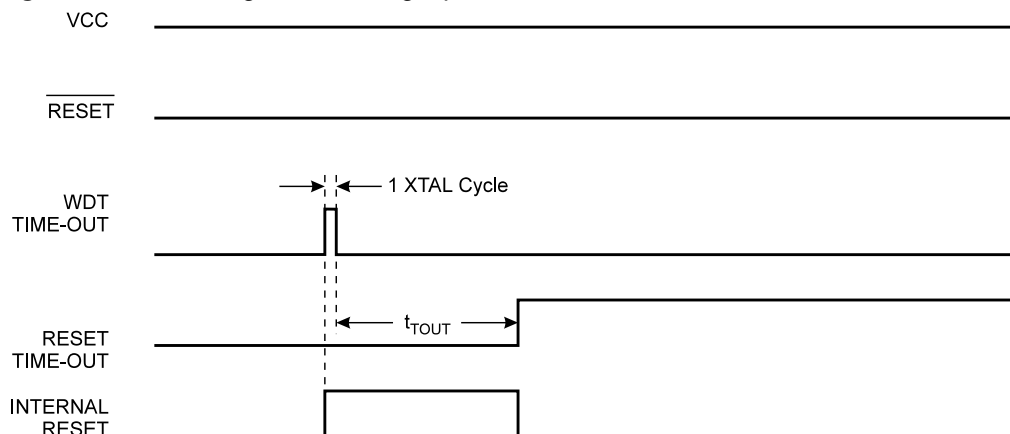
**Figure 26.** External Reset during Operation



## Watchdog Reset

When the Watchdog times out, it will generate a short reset pulse of 1 XTAL cycle duration. On the falling edge of this pulse, the delay timer starts counting the Time-out period  $t_{TOUT}$ . Refer to page 49 for details on operation of the Watchdog.

**Figure 27.** Watchdog Reset during Operation



## MCU Status Register – MCUSR

The MCU Status Register provides information on which reset source caused an MCU reset.

| Bit           | 7 | 6 | 5 | 4 | 3 | 2 | 1                   | 0    |       |
|---------------|---|---|---|---|---|---|---------------------|------|-------|
| \$34 (\$54)   | – | – | – | – | – | – | EXTRF               | PORF | MCUSR |
| Read/Write    | R | R | R | R | R | R | R/W                 | R/W  |       |
| Initial Value | 0 | 0 | 0 | 0 | 0 | 0 | See Bit Description |      |       |

- **Bits 7..2 – Res: Reserved Bits**

These bits are reserved bits in the AT90S8535 and always read as zero.

- **Bit 1 – EXTRF: External Reset Flag**

After a power-on reset, this bit is undefined (X). It can only be set by an External Reset. A Watchdog Reset will leave this bit unchanged. The bit is cleared by writing a logical zero to the bit.

- **Bit 0 – PORF: Power-on Reset Flag**

This bit is only set by a Power-on Reset. A Watchdog Reset or an External Reset will leave this bit unchanged. The bit is cleared by writing a logical zero to the bit.

To summarize, Table 5 shows the value of these two bits after the three modes of reset.

**Table 5.** PORF and EXTRF Values after Reset

| Reset Source   | EXTRF     | PORF      |
|----------------|-----------|-----------|
| Power-on Reset | Undefined | 1         |
| External Reset | 1         | Unchanged |
| Watchdog Reset | Unchanged | Unchanged |

To make use of these bits to identify a reset condition, the user software should clear both the PORF and EXTRF bits as early as possible in the program. Checking the PORF and EXTRF values is done before the bits are cleared. If the bit is cleared before an External or Watchdog Reset occurs, the source of reset can be found by using Table 6.

**Table 6.** Reset Source Identification

| EXTRF | PORF | Reset Source   |
|-------|------|----------------|
| 0     | 0    | Watchdog Reset |
| 0     | 1    | Power-on Reset |
| 1     | 0    | External Reset |
| 1     | 1    | Power-on Reset |

**Interrupt Handling**

The AT90S8535 has two 8-bit interrupt mask control registers: GIMSK (General Interrupt Mask register) and TIMSK (Timer/Counter Interrupt Mask register).

When an interrupt occurs, the Global Interrupt Enable I-bit is cleared (zero) and all interrupts are disabled. The user software can set (one) the I-bit to enable nested interrupts. The I-bit is set (one) when a Return from Interrupt instruction (RETI) is executed.

When the Program Counter is vectored to the actual interrupt vector in order to execute the interrupt handling routine, hardware clears the corresponding flag that generated the interrupt. Some of the interrupt flags can also be cleared by writing a logical “1” to the flag bit position(s) to be cleared. If an interrupt condition occurs when the corresponding interrupt enable bit is cleared (zero), the interrupt flag will be set and remembered until the interrupt is enabled or the flag is cleared by software.

If one or more interrupt conditions occur when the global interrupt enable bit is cleared (zero), the corresponding interrupt flag(s) will be set and remembered until the global interrupt enable bit is set (one) and will be executed by order of priority.

Note that external level interrupt does not have a flag and will only be remembered for as long as the interrupt condition is active.

Note that the Status Register is not automatically stored when entering an interrupt routine and restored when returning from an interrupt routine. This must be handled by software.

**General Interrupt Mask Register – GIMSK**

|               |      |      |   |   |   |   |   |   |       |
|---------------|------|------|---|---|---|---|---|---|-------|
| Bit           | 7    | 6    | 5 | 4 | 3 | 2 | 1 | 0 |       |
| \$3B (\$5B)   | INT1 | INT0 | – | – | – | – | – | – | GIMSK |
| Read/Write    | R/W  | R/W  | R | R | R | R | R | R |       |
| Initial Value | 0    | 0    | 0 | 0 | 0 | 0 | 0 | 0 |       |

• **Bit 7 – INT1: External Interrupt Request 1 Enable**

When the INT1 bit is set (one) and the I-bit in the Status Register (SREG) is set (one), the external pin interrupt is enabled. The Interrupt Sense Control1 bits 1/0 (ISC11 and ISC10) in the MCU general Control Register (MCUCR) define whether the external interrupt is activated on rising or falling edge of the INT1 pin or level sensed. Activity on the pin will cause an interrupt request even if INT1 is configured as an output. The corresponding interrupt of External Interrupt Request 1 is executed from program memory address \$002. See also “External Interrupts.”

• **Bit 6 – INT0: External Interrupt Request 0 Enable**

When the INT0 bit is set (one) and the I-bit in the Status Register (SREG) is set (one), the external pin interrupt is enabled. The Interrupt Sense Control0 bits 1/0 (ISC01 and ISC00) in the MCU general Control Register (MCUCR) define whether the external interrupt is activated on rising or falling edge of the INT0 pin or level sensed. Activity on the pin will cause an interrupt request even if INT0 is configured as an output. The corre-



sponding interrupt of External Interrupt Request 0 is executed from program memory address \$001. See also “External Interrupts.”

- **Bits 5.0 – Res: Reserved Bits**

These bits are reserved bits in the AT90S8535 and always read as zero.

### General Interrupt Flag Register – GIFR

|               |       |       |   |   |   |   |   |   |      |
|---------------|-------|-------|---|---|---|---|---|---|------|
| Bit           | 7     | 6     | 5 | 4 | 3 | 2 | 1 | 0 |      |
| \$3A (\$5A)   | INTF1 | INTF0 | – | – | – | – | – | – | GIFR |
| Read/Write    | R/W   | R/W   | R | R | R | R | R | R |      |
| Initial Value | 0     | 0     | 0 | 0 | 0 | 0 | 0 | 0 |      |

- **Bit 7 – INTF1: External Interrupt Flag1**

When an edge or logical change on the INT1 pin triggers an interrupt request, INTF1 becomes set (one). This flag is always cleared (0) when the pin is configured for low-level interrupts, as the state of a low-level interrupt can be determined by reading the PIN register.

If the I-bit in SREG and the INT1 bit in GIMSK are set (one), the MCU will jump to the interrupt address \$002. For edge and logic change interrupts, this flag is cleared when the interrupt routine is executed. Alternatively, the flag can be cleared by writing a logical “1” to it.

- **Bit 6 – INTF0: External Interrupt Flag0**

When an edge or logical change on the INT0 pin triggers an interrupt request, INTF0 becomes set (one). This flag is always cleared (0) when the pin is configured for low-level interrupts, as the state of a low-level interrupt can be determined by reading the PIN register.

If the I-bit in SREG and the INT0 bit in GIMSK are set (one), the MCU will jump to the interrupt address \$001. For edge and logic change interrupts, this flag is cleared when the interrupt routine is executed. Alternatively, the flag can be cleared by writing a logical “1” to it.

- **Bits 5..0 – Res: Reserved Bits**

These bits are reserved bits in the AT90S8535 and always read as zero.

### Timer/Counter Interrupt Mask Register – TIMSK

|               |       |       |        |        |        |       |   |       |       |
|---------------|-------|-------|--------|--------|--------|-------|---|-------|-------|
| Bit           | 7     | 6     | 5      | 4      | 3      | 2     | 1 | 0     |       |
| \$39 (\$59)   | OCIE2 | TOIE2 | TICIE1 | OCIE1A | OCIE1B | TOIE1 | – | TOIE0 | TIMSK |
| Read/Write    | R/W   | R/W   | R/W    | R/W    | R/W    | R/W   | R | R/W   |       |
| Initial Value | 0     | 0     | 0      | 0      | 0      | 0     | 0 | 0     |       |

- **Bit 7 – OCIE2: Timer/Counter2 Output Compare Match Interrupt Enable**

When the OCIE2 bit is set (one) and the I-bit in the Status Register is set (one), the Timer/Counter2 Compare Match interrupt is enabled. The corresponding interrupt (at vector \$003) is executed if a compare match in Timer/Counter2 occurs (i.e., when the OCF2 bit is set in the Timer/Counter Interrupt Flag Register [TIFR]).

- **Bit 6 – TOIE2: Timer/Counter2 Overflow Interrupt Enable**

When the TOIE2 bit is set (one) and the I-bit in the Status Register is set (one), the Timer/Counter2 Overflow interrupt is enabled. The corresponding interrupt (at vector \$004) is executed if an overflow in Timer/Counter2 occurs (i.e., when the TOV2 bit is set in the Timer/Counter Interrupt Flag Register [TIFR]).

• **Bit 5 – TICIE1: Timer/Counter1 Input Capture Interrupt Enable**

When the TICIE1 bit is set (one) and the I-bit in the Status Register is set (one), the Timer/Counter1 Input Capture Event Interrupt is enabled. The corresponding interrupt (at vector \$005) is executed if a capture-triggering event occurs on pin 20, PD6 (ICP) (i.e., when the ICF1 bit is set in the Timer/Counter Interrupt Flag Register [TIFR]).

• **Bit 4 – OCIE1A: Timer/Counter1 Output CompareA Match Interrupt Enable**

When the OCIE1A bit is set (one) and the I-bit in the Status Register is set (one), the Timer/Counter1 CompareA Match interrupt is enabled. The corresponding interrupt (at vector \$006) is executed if a CompareA match in Timer/Counter1 occurs (i.e., when the OCF1A bit is set in the Timer/Counter Interrupt Flag Register [TIFR]).

• **Bit 3 – OCIE1B: Timer/Counter1 Output CompareB Match Interrupt Enable**

When the OCIE1B bit is set (one) and the I-bit in the Status Register is set (one), the Timer/Counter1 CompareB Match interrupt is enabled. The corresponding interrupt (at vector \$007) is executed if a CompareB match in Timer/Counter1 occurs (i.e., when the OCF1B bit is set in the Timer/Counter Interrupt Flag Register [TIFR]).

• **Bit 2 – TOIE1: Timer/Counter1 Overflow Interrupt Enable**

When the TOIE1 bit is set (one) and the I-bit in the Status Register is set (one), the Timer/Counter1 Overflow Interrupt is enabled. The corresponding interrupt (at vector \$008) is executed if an overflow in Timer/Counter1 occurs (i.e., when the TOV1 bit is set in the Timer/Counter Interrupt Flag Register [TIFR]).

• **Bit 1 – Res: Reserved Bit**

This bit is a reserved bit in the AT90S8535 and always reads zero.

• **Bit 0 – TOIE0: Timer/Counter0 Overflow Interrupt Enable**

When the TOIE0 bit is set (one) and the I-bit in the Status Register is set (one), the Timer/Counter0 Overflow Interrupt is enabled. The corresponding interrupt (at vector \$009) is executed if an overflow in Timer/Counter0 occurs (i.e., when the TOV0 bit is set in the Timer/Counter Interrupt Flag Register [TIFR]).

**Timer/Counter Interrupt Flag Register – TIFR**

|               |      |      |      |       |       |      |   |      |      |
|---------------|------|------|------|-------|-------|------|---|------|------|
| Bit           | 7    | 6    | 5    | 4     | 3     | 2    | 1 | 0    |      |
| \$38 (\$58)   | OCF2 | TOV2 | ICF1 | OCF1A | OCF1B | TOV1 | – | TOV0 | TIFR |
| Read/Write    | R/W  | R/W  | R/W  | R/W   | R/W   | R/W  | R | R/W  |      |
| Initial Value | 0    | 0    | 0    | 0     | 0     | 0    | 0 | 0    |      |

• **Bit 7 – OCF2: Output Compare Flag 2**

The OCF2 bit is set (one) when compare match occurs between the Timer/Counter2 and the data in OCR2 (Output Compare Register2). OCF2 is cleared by hardware when executing the corresponding interrupt handling vector. Alternatively, OCF2 is cleared by writing a logical “1” to the flag. When the I-bit in SREG and OCIE2 (Timer/Counter2 Compare Match Interrupt Enable) and the OCF2 are set (one), the Timer/Counter2 Compare Match Interrupt is executed.

• **Bit 6 – TOV2: Timer/Counter2 Overflow Flag**

The TOV2 bit is set (one) when an overflow occurs in Timer/Counter2. TOV2 is cleared by hardware when executing the corresponding interrupt handling vector. Alternatively, TOV2 is cleared by writing a logical “1” to the flag. When the SREG I-bit and TOIE2 (Timer/Counter2 Overflow Interrupt Enable) and TOV2 are set (one), the Timer/Counter2 Overflow Interrupt is executed. In up/down PWM mode, this bit is set when Timer/Counter1 advances from \$0000.



- **Bit 5 – ICF1: Input Capture Flag 1**

The ICF1 bit is set (one) to flag an input capture event, indicating that the Timer/Counter1 value has been transferred to the Input Capture Register (ICR1). ICF1 is cleared by hardware when executing the corresponding interrupt handling vector. Alternatively, ICF1 is cleared by writing a logical “1” to the flag. When the SREG I-bit and TICIE1 (Timer/Counter1 Input Capture Interrupt Enable) and ICF1 are set (one), the Timer/Counter1 Capture Interrupt is executed.

- **Bit 4 – OCF1A: Output Compare Flag 1A**

The OCF1A bit is set (one) when compare match occurs between the Timer/Counter1 and the data in OCR1A (Output Compare Register 1A). OCF1A is cleared by hardware when executing the corresponding interrupt handling vector. Alternatively, OCF1A is cleared by writing a logical “1” to the flag. When the I-bit in SREG and OCIE1A (Timer/Counter1 Compare Match InterruptA Enable) and the OCF1A are set (one), the Timer/Counter1 Compare A Match Interrupt is executed.

- **Bit 3 – OCF1B: Output Compare Flag 1B**

The OCF1B bit is set (one) when compare match occurs between the Timer/Counter1 and the data in OCR1B (Output Compare Register 1B). OCF1B is cleared by hardware when executing the corresponding interrupt handling vector. Alternatively, OCF1B is cleared by writing a logical “1” to the flag. When the I-bit in SREG and OCIE1B (Timer/Counter1 Compare Match InterruptB Enable) and the OCF1B are set (one), the Timer/Counter1 Compare Match B Interrupt is executed.

- **Bit 2 – TOV1: Timer/Counter1 Overflow Flag**

The TOV1 is set (one) when an overflow occurs in Timer/Counter1. TOV1 is cleared by hardware when executing the corresponding interrupt handling vector. Alternatively, TOV1 is cleared by writing a logical “1” to the flag. When the I-bit in SREG and TOIE1 (Timer/Counter1 Overflow Interrupt Enable) and TOV1 are set (one), the Timer/Counter1 Overflow Interrupt is executed. In up/down PWM mode, this bit is set when Timer/Counter1 advances from \$0000.

- **Bit 1 – Res: Reserved Bit**

This bit is a reserved bit in the AT90S8535 and always reads zero.

- **Bit 0 – TOV0: Timer/Counter0 Overflow Flag**

The bit TOV0 is set (one) when an overflow occurs in Timer/Counter0. TOV0 is cleared by hardware when executing the corresponding interrupt handling vector. Alternatively, TOV0 is cleared by writing a logical “1” to the flag. When the SREG I-bit and TOIE0 (Timer/Counter0 Overflow Interrupt Enable) and TOV0 are set (one), the Timer/Counter0 Overflow Interrupt is executed. In up/down PWM mode, this bit is set when Timer/Counter1 advances from \$0000.

## External Interrupts

The external interrupts are triggered by the INT1 and INT0 pins. Observe that, if enabled, the interrupts will trigger even if the INT0/INT1 pins are configured as outputs. This feature provides a way of generating a software interrupt. The external interrupts can be triggered by a falling or rising edge or a low level. This is set up as indicated in the specification for the MCU Control Register (MCUCR). When the external interrupt is enabled and is configured as level-triggered, the interrupt will trigger as long as the pin is held low.

The external interrupts are set up as described in the specification for the MCU Control Register (MCUCR).

## Interrupt Response Time

The interrupt execution response for all the enabled AVR interrupts is four clock cycles minimum. Four clock cycles after the interrupt flag has been set, the program vector address for the actual interrupt handling routine is executed. During this 4-clock-cycle period, the Program Counter (2 bytes) is pushed onto the stack and the Stack Pointer is decremented by 2. The vector is normally a relative jump to the interrupt routine and this jump takes two clock cycles. If an interrupt occurs during execution of a multi-cycle instruction, this instruction is completed before the interrupt is served.

A return from an interrupt handling routine (same as for a subroutine call routine) takes four clock cycles. During these four clock cycles, the Program Counter (2 bytes) is popped back from the stack, the Stack Pointer is incremented by 2 and the I-flag in SREG is set. When the AVR exits from an interrupt, it will always return to the main program and execute one more instruction before any pending interrupt is served.

## MCU Control Register – MCUCR

The MCU Control Register contains control bits for general MCU functions.

|               |   |     |     |     |       |       |       |       |       |
|---------------|---|-----|-----|-----|-------|-------|-------|-------|-------|
| Bit           | 7 | 6   | 5   | 4   | 3     | 2     | 1     | 0     |       |
| \$35 (\$55)   | – | SE  | SM1 | SM0 | ISC11 | ISC10 | ISC01 | ISC00 | MCUCR |
| Read/Write    | R | R/W | R/W | R/W | R/W   | R/W   | R/W   | R/W   |       |
| Initial Value | 0 | 0   | 0   | 0   | 0     | 0     | 0     | 0     |       |

- **Bit 7 – Res: Reserved Bit**

This bit is a reserved bit in the AT90S8535 and always reads zero.

- **Bit 6 – SE: Sleep Enable**

The SE bit must be set (one) to make the MCU enter the Sleep Mode when the SLEEP instruction is executed. To avoid the MCU entering the Sleep Mode unless it is the programmer's purpose, it is recommended to set the Sleep Enable (SE) bit just before the execution of the SLEEP instruction.

- **Bits 5, 4 – SM1/SM0: Sleep Mode Select Bits 1 and 0**

These bits select between the three available sleep modes as shown in Table 7.

**Table 7.** Sleep Mode Select

| SM1 | SM0 | Sleep Mode |
|-----|-----|------------|
| 0   | 0   | Idle       |
| 0   | 1   | Reserved   |
| 1   | 0   | Power-down |
| 1   | 1   | Power Save |

- **Bits 3, 2 – ISC11, ISC10: Interrupt Sense Control 1 Bits 1 and 0**

The External Interrupt 1 is activated by the external pin INT1 if the SREG I-flag and the corresponding interrupt mask in the GIMSK is set. The level and edges on the external INT1 pin that activate the interrupt are defined in Table 8.

**Table 8.** Interrupt 1 Sense Control

| ISC11 | ISC10 | Description  |
|-------|-------|--|
| 0     | 0     | The low level of INT1 generates an interrupt request.    |
| 0     | 1     | Reserved   |
| 1     | 0     | The falling edge of INT1 generates an interrupt request. |
| 1     | 1     | The rising edge of INT1 generates an interrupt request.  |

The value on the INT pin is sampled before detecting edges. If edge interrupt is selected, pulses that last longer than one CPU clock period will generate an interrupt. Shorter pulses are not guaranteed to generate an interrupt. If low-level interrupt is selected, the low level must be held until the completion of the currently executing instruction to generate an interrupt. If enabled, a level-triggered interrupt will generate an interrupt request as long as the pin is held low.

• **Bit 1, 0 – ISC01, ISC00: Interrupt Sense Control 0 Bits 1 and 0**

The External Interrupt 0 is activated by the external pin INT0 if the SREG I-flag and the corresponding interrupt mask is set. The level and edges on the external INT0 pin that activate the interrupt are defined in Table 9.

**Table 9.** Interrupt 0 Sense Control

| ISC01 | ISC00 | Description  |
|-------|-------|--|
| 0     | 0     | The low level of INT0 generates an interrupt request.    |
| 0     | 1     | Reserved   |
| 1     | 0     | The falling edge of INT0 generates an interrupt request. |
| 1     | 1     | The rising edge of INT0 generates an interrupt request.  |

The value on the INT pin is sampled before detecting edges. If edge interrupt is selected, pulses that last longer than one CPU clock period will generate an interrupt. Shorter pulses are not guaranteed to generate an interrupt. If low-level interrupt is selected, the low level must be held until the completion of the currently executing instruction to generate an interrupt. If enabled, a level-triggered interrupt will generate an interrupt request as long as the pin is held low.

## Sleep Modes

To enter any of the three sleep modes, the SE bit in MCUCR must be set (one) and a SLEEP instruction must be executed. The SM0 and SM1 bits in the MCUCR register select which sleep mode (Idle, Power-down or Power Save) will be activated by the SLEEP instruction. See Table 7.

If an enabled interrupt occurs while the MCU is in a sleep mode, the MCU wakes up, executes the interrupt routine and resumes execution from the instruction following SLEEP. The contents of the register file, SRAM and I/O memory are unaltered. If a reset occurs during Sleep Mode, the MCU wakes up and executes from the Reset vector.

### Idle Mode

When the SM1/SM0 bits are set to 00, the SLEEP instruction makes the MCU enter the Idle Mode, stopping the CPU but allowing SPI, UARTs, Analog Comparator, ADC, Timer/Counters, Watchdog and the interrupt system to continue operating. This enables the MCU to wake up from external triggered interrupts as well as internal ones like the Timer Overflow and UART Receive Complete interrupts. If wake-up from the Analog

Comparator Interrupt is not required, the Analog Comparator can be powered down by setting the ACD-bit in the Analog Comparator Control and Status Register (ACSR). This will reduce power consumption in Idle Mode. When the MCU wakes up from Idle Mode, the CPU starts program execution immediately.

### Power-down Mode

When the SM1/SM0 bits are set to 10, the SLEEP instruction makes the MCU enter the Power-down mode. In this mode, the external oscillator is stopped while the external interrupts and the Watchdog (if enabled) continue operating. Only an external reset, a Watchdog reset (if enabled) or an external level interrupt can wake up the MCU.

Note that when a level-triggered interrupt is used for wake-up from power-down, the low level must be held for a time longer than the reset delay Time-out period  $t_{TOUT}$ .

When waking up from Power-down mode, a delay from the wake-up condition occurs until the wake-up becomes effective. This allows the clock to restart and become stable after having been stopped. The wake-up period is equal to the reset period, as shown in Table 3 on page 22.

If the wake-up condition disappears before the MCU wakes up and starts to execute, e.g., a low-level on is not held long enough, the interrupt causing the wake-up will not be executed.

### Power Save Mode

When the SM1/SM0 bits are 11, the SLEEP instruction makes the MCU enter the Power Save Mode. This mode is identical to Power-down, with one exception: If Timer/Counter2 is clocked asynchronously, i.e., the AS2 bit in ASSR is set, Timer/Counter2 will run during sleep. In addition to the power-down wake-up sources, the device can also wake up from either a Timer Overflow or Output Compare event from Timer/Counter2 if the corresponding Timer/Counter2 interrupt enable bits are set in TIMSK and the global interrupt enable bit in SREG is set.

When waking up from Power Save Mode by an external interrupt, two instruction cycles are executed before the interrupt flags are updated. When waking up by the asynchronous timer, three instruction cycles are executed before the flags are updated. During these cycles, the processor executes instructions, but the interrupt condition is not readable and the interrupt routine has not started yet.

When waking up from Power Save Mode by an asynchronous timer interrupt, the part will wake up even if global interrupts are disabled. To ensure that the part executes the interrupt routine when waking up, also set the global interrupt enable bit in SREG.

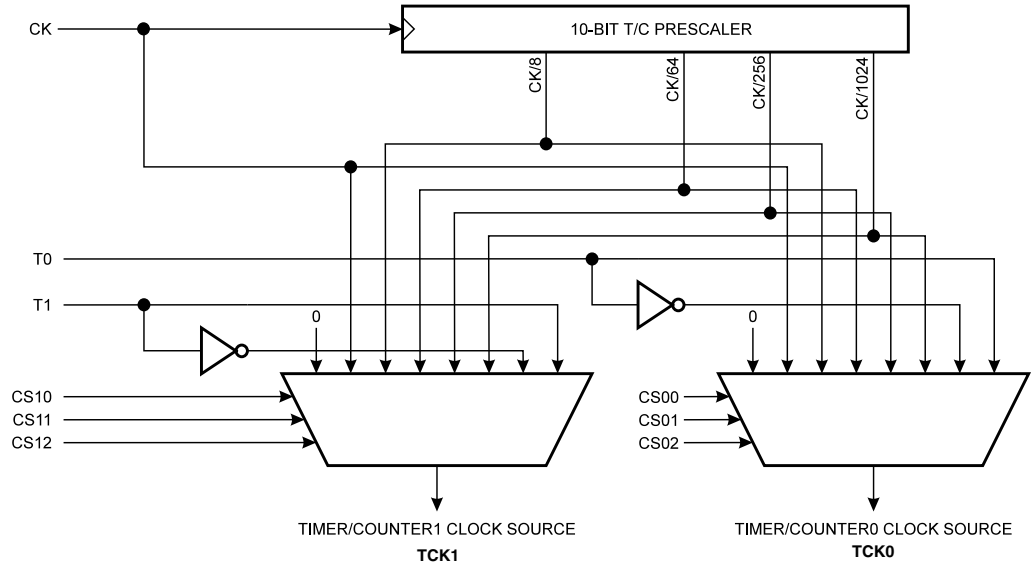
If the asynchronous timer is not clocked asynchronously, Power-down mode is recommended instead of Power Save Mode because the contents of the registers in the asynchronous timer should be considered undefined after wake-up in Power Save Mode, even if AS2 is 0.

## Timer/Counters

The AT90S8535 provides three general-purpose Timer/Counters – two 8-bit T/Cs and one 16-bit T/C. Timer/Counter2 can optionally be asynchronously clocked from an external oscillator. This oscillator is optimized for use with a 32.768 kHz watch crystal, enabling use of Timer/Counter2 as a Real-time Clock (RTC). Timer/Counters 0 and 1 have individual prescaling selection from the same 10-bit prescaling timer. Timer/Counter2 has its own prescaler. These Timer/Counters can either be used as a timer with an internal clock time base or as a counter with an external pin connection that triggers the counting.

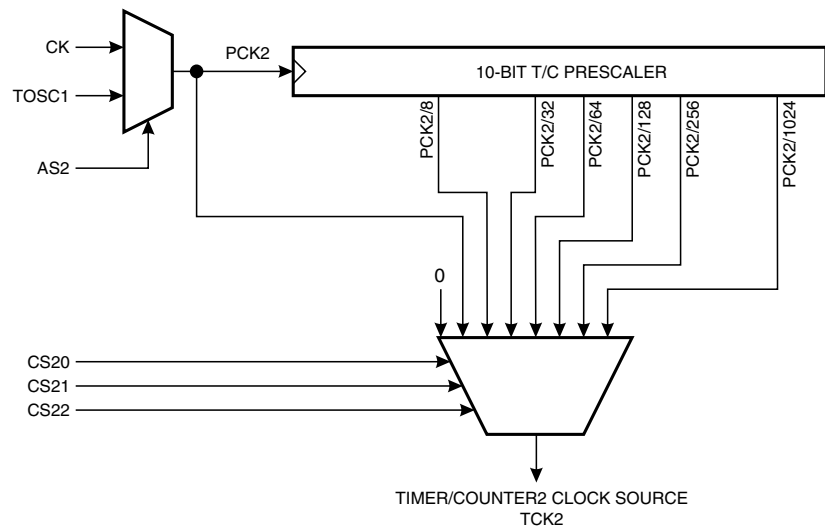
### Timer/Counter Prescalers

**Figure 28.** Prescaler for Timer/Counter0 and 1



For Timer/Counters 0 and 1, the four different prescaled selections are: CK/8, CK/64, CK/256 and CK/1024, where CK is the oscillator clock. For the two Timer/Counters 0 and 1, CK, external source and stop can also be selected as clock sources.

**Figure 29.** Timer/Counter2 Prescaler



The clock source for Timer/Counter2 prescaler is named PCK2. PCK2 is by default connected to the main system clock (CK). By setting the AS2 bit in ASSR, Timer/Counter2 prescaler is asynchronously clocked from the PC6(TOSC1) pin. This enables use of Timer/Counter2 as a Real-time Clock (RTC). When AS2 is set, pins PC6(TOSC1) and PC7(TOSC2) are disconnected from Port C. A crystal can then be connected between the PC6(TOSC1) and PC7(TOSC2) pins to serve as an independent clock source for Timer/Counter2. The oscillator is optimized for use with a 32.768 kHz crystal. Applying an external clock source to TOSC1 is not recommended.

**8-bit Timer/Counter0**

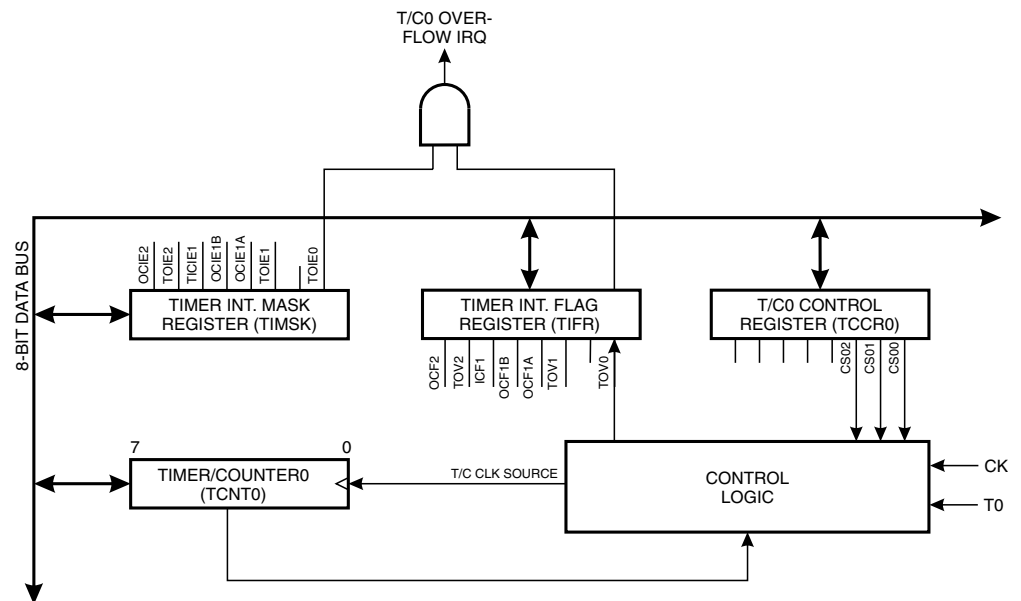
Figure 30 shows the block diagram for Timer/Counter0.

The 8-bit Timer/Counter0 can select clock source from CK, prescaled CK or an external pin. In addition, it can be stopped as described in the specification for the Timer/Counter0 Control Register (TCCR0). The overflow status flag is found in the Timer/Counter Interrupt Flag Register (TIFR). Control signals are found in the Timer/Counter0 Control Register (TCCR0). The interrupt enable/disable settings for Timer/Counter0 are found in the Timer/Counter Interrupt Mask Register (TIMSK).

When Timer/Counter0 is externally clocked, the external signal is synchronized with the oscillator frequency of the CPU. To assure proper sampling of the external clock, the minimum time between two external clock transitions must be at least one internal CPU clock period. The external clock signal is sampled on the rising edge of the internal CPU clock.

The 8-bit Timer/Counter0 features both a high-resolution and a high-accuracy usage with the lower prescaling opportunities. Similarly, the high prescaling opportunities make the Timer/Counter0 useful for lower speed functions or exact timing functions with infrequent actions.

**Figure 30.** Timer/Counter0 Block Diagram





## Timer/Counter0 Control Register – TCCR0

|               |   |   |   |   |   |      |      |      |       |
|---------------|---|---|---|---|---|------|------|------|-------|
| Bit           | 7 | 6 | 5 | 4 | 3 | 2    | 1    | 0    |       |
| \$33 (\$53)   | - | - | - | - | - | CS02 | CS01 | CS00 | TCCR0 |
| Read/Write    | R | R | R | R | R | R/W  | R/W  | R/W  |       |
| Initial Value | 0 | 0 | 0 | 0 | 0 | 0    | 0    | 0    |       |

- **Bits 7..3 – Res: Reserved Bits**

These bits are reserved bits in the AT90S8535 and always read zero.

- **Bits 2, 1, 0 – CS02, CS01, CS00: Clock Select0, Bits 2, 1 and 0**

The Clock Select0 bits 2,1 and 0 define the prescaling source of Timer/Counter0.

**Table 10.** Clock 0 Prescale Select

| CS02 | CS01 | CS00 | Description                      |
|------|------|------|----------------------------------|
| 0    | 0    | 0    | Stop, Timer/Counter0 is stopped. |
| 0    | 0    | 1    | CK                               |
| 0    | 1    | 0    | CK/8                             |
| 0    | 1    | 1    | CK/64                            |
| 1    | 0    | 0    | CK/256                           |
| 1    | 0    | 1    | CK/1024                          |
| 1    | 1    | 0    | External Pin T0, falling edge    |
| 1    | 1    | 1    | External Pin T0, rising edge     |

The Stop condition provides a Timer Enable/Disable function. The prescaled CK modes are scaled directly from the CK oscillator clock. If the external pin modes are used, the corresponding setup must be performed in the actual Data Direction Control Register (cleared to zero gives an input pin).

## Timer Counter 0 – TCNT0

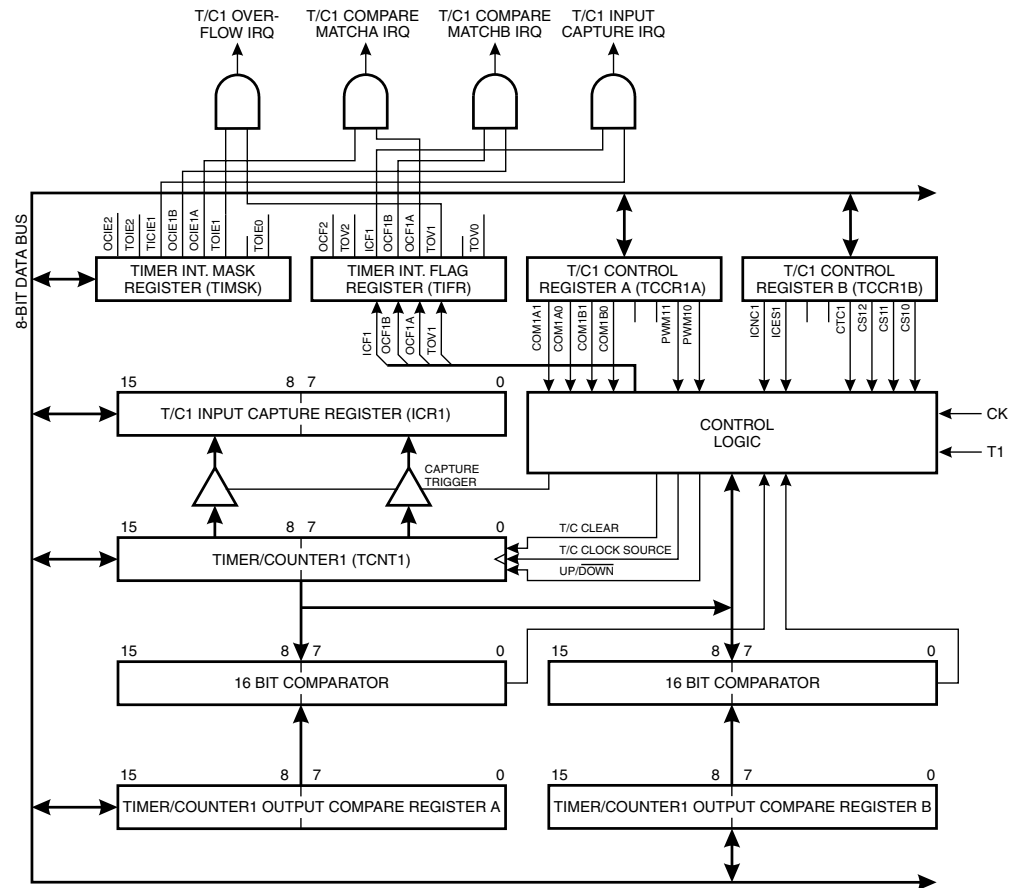
|               |     |     |     |     |     |     |     |     |       |
|---------------|-----|-----|-----|-----|-----|-----|-----|-----|-------|
| Bit           | 7   | 6   | 5   | 4   | 3   | 2   | 1   | 0   |       |
| \$32 (\$52)   | MSB |     |     |     |     |     |     | LSB | TCNT0 |
| Read/Write    | R/W | R/W | R/W | R/W | R/W | R/W | R/W | R/W |       |
| Initial Value | 0   | 0   | 0   | 0   | 0   | 0   | 0   | 0   |       |

The Timer/Counter0 is realized as an up-counter with read and write access. If the Timer/Counter0 is written and a clock source is present, the Timer/Counter0 continues counting in the clock cycle following the write operation.

16-bit Timer/Counter1

Figure 31 shows the block diagram for Timer/Counter1.

Figure 31. Timer/Counter1 Block Diagram



The 16-bit Timer/Counter1 can select clock source from CK, prescaled CK or an external pin. In addition, it can be stopped as described in the specification for the Timer/Counter1 Control Registers (TCCR1A and TCCR1B). The different status flags (Overflow, Compare Match and Capture Event) and control signals are found in the Timer/Counter1 Control Registers (TCCR1A and TCCR1B). The interrupt enable/disable settings for Timer/Counter1 are found in the Timer/Counter Interrupt Mask Register (TIMSK).

When Timer/Counter1 is externally clocked, the external signal is synchronized with the oscillator frequency of the CPU. To assure proper sampling of the external clock, the minimum time between two external clock transitions must be at least one internal CPU clock period. The external clock signal is sampled on the rising edge of the internal CPU clock.

The 16-bit Timer/Counter1 features both a high-resolution and a high-accuracy usage with the lower prescaling opportunities. Similarly, the high prescaling opportunities makes the Timer/Counter1 useful for lower speed functions or exact timing functions with infrequent actions.

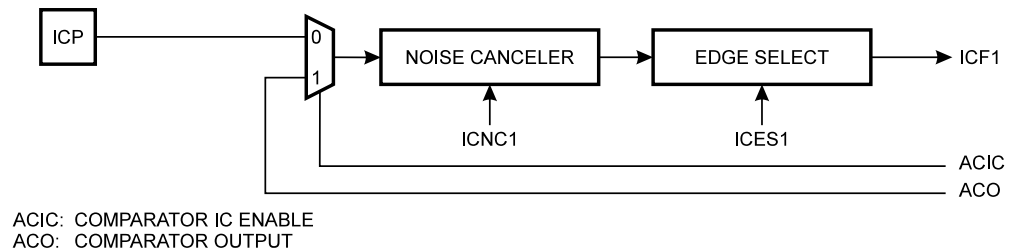
The Timer/Counter1 supports two Output Compare functions using the Output Compare Register 1A and B (OCR1A and OCR1B) as the data sources to be compared to the Timer/Counter1 contents. The Output Compare functions include optional clearing of

the counter on compareA match and actions on the Output Compare pins on both compare matches.

Timer/Counter1 can also be used as an 8-, 9- or 10-bit Pulse Width Modulator. In this mode the counter and the OCR1A/OCR1B registers serve as a dual glitch-free stand-alone PWM with centered pulses. Refer to page 40 for a detailed description of this function.

The Input Capture function of Timer/Counter1 provides a capture of the Timer/Counter1 contents to the Input Capture Register (ICR1), triggered by an external event on the Input Capture Pin (ICP). The actual capture event settings are defined by the Timer/Counter1 Control Register (TCCR1B). In addition, the Analog Comparator can be set to trigger the input capture. Refer to “Analog Comparator” on page 66 for details on this. The ICP pin logic is shown in Figure 32.

**Figure 32.** ICP Pin Schematic Diagram



If the Noise Canceler function is enabled, the actual trigger condition for the capture event is monitored over four samples and all four must be equal to activate the capture flag. The input pin signal is sampled at XTAL clock frequency.

**Timer/Counter1 Control Register A – TCCR1A**

|               |        |        |        |        |   |   |       |       |        |
|---------------|--------|--------|--------|--------|---|---|-------|-------|--------|
| Bit           | 7      | 6      | 5      | 4      | 3 | 2 | 1     | 0     |        |
| \$2F (\$4F)   | COM1A1 | COM1A0 | COM1B1 | COM1B0 | – | – | PWM11 | PWM10 | TCCR1A |
| Read/Write    | R/W    | R/W    | R/W    | R/W    | R | R | R/W   | R/W   |        |
| Initial Value | 0      | 0      | 0      | 0      | 0 | 0 | 0     | 0     |        |

• **Bits 7, 6 – COM1A1, COM1A0: Compare Output Mode1A, Bits 1 and 0**

The COM1A1 and COM1A0 control bits determine any output pin action following a compare match in Timer/Counter1. Any output pin actions affect pin OC1A (Output CompareA pin 1). This is an alternative function to an I/O port and the corresponding direction control bit must be set (one) to control an output pin. The control configuration is shown in Table 11.

• **Bits 5, 4 – COM1B1, COM1B0: Compare Output Mode1B, Bits 1 and 0**

The COM1B1 and COM1B0 control bits determine any output pin action following a compare match in Timer/Counter1. Any output pin actions affect pin OC1B (Output CompareB). This is an alternative function to an I/O port and the corresponding direction control bit must be set (one) to control an output pin. The control configuration is given in Table 11.

**Table 11.** Compare 1 Mode Select

| COM1X1 | COM1X0 | Description                                      |
|--------|--------|--|
| 0      | 0      | Timer/Counter1 disconnected from output pin OC1X |
| 0      | 1      | Toggle the OC1X output line.                     |
| 1      | 0      | Clear the OC1X output line (to zero).            |
| 1      | 1      | Set the OC1X output line (to one).               |

Note: X = A or B.

In PWM mode, these bits have a different function. Refer to Table 15 for a detailed description. When changing the COM1X1/COM1X0 bits, Output Compare Interrupt 1 must be disabled by clearing their Interrupt Enable bits in the TIMSK Register. Otherwise an interrupt can occur when the bits are changed.

• **Bits 3..2 – Res: Reserved Bits**

These bits are reserved bits in the AT90S8535 and always read zero.

• **Bits 1..0 – PWM11, PWM10: Pulse Width Modulator Select Bits**

These bits select PWM operation of Timer/Counter1 as specified in Table 12. This mode is described on page 40.

**Table 12.** PWM Mode Select

| PWM11 | PWM10 | Description                                 |
|-------|-------|---|
| 0     | 0     | PWM operation of Timer/Counter1 is disabled |
| 0     | 1     | Timer/Counter1 is an 8-bit PWM              |
| 1     | 0     | Timer/Counter1 is a 9-bit PWM               |
| 1     | 1     | Timer/Counter1 is a 10-bit PWM              |

**Timer/Counter1 Control Register B – TCCR1B**

|               |              |              |   |   |             |             |             |             |        |
|---------------|--------------|--------------|---|---|-------------|-------------|-------------|-------------|--------|
| Bit           | 7            | 6            | 5 | 4 | 3           | 2           | 1           | 0           |        |
| \$2E (\$4E)   | <b>ICNC1</b> | <b>ICES1</b> | – | – | <b>CTC1</b> | <b>CS12</b> | <b>CS11</b> | <b>CS10</b> | TCCR1B |
| Read/Write    | R/W          | R/W          | R | R | R/W         | R/W         | R/W         | R/W         |        |
| Initial Value | 0            | 0            | 0 | 0 | 0           | 0           | 0           | 0           |        |

• **Bit 7 – ICNC1: Input Capture1 Noise Canceler (4 CKs)**

When the ICNC1 bit is cleared (zero), the Input Capture Trigger Noise Canceler function is disabled. The input capture is triggered at the first rising/falling edge sampled on the ICP (input capture pin) as specified. When the ICNC1 bit is set (one), four successive samples are measured on the ICP (input capture pin), and all samples must be high/low according to the input capture trigger specification in the ICES1 bit. The actual sampling frequency is XTAL clock frequency.

• **Bit 6 – ICES1: Input Capture1 Edge Select**

While the ICES1 bit is cleared (zero), the Timer/Counter1 contents are transferred to the Input Capture Register (ICR1) on the falling edge of the input capture pin (ICP). While the ICES1 bit is set (one), the Timer/Counter1 contents are transferred to the Input Capture Register (ICR1) on the rising edge of the input capture pin (ICP).

• **Bits 5, 4 – Res: Reserved Bits**

These bits are reserved bits in the AT90S8535 and always read zero.



• **Bit 3 – CTC1: Clear Timer/Counter1 on Compare Match**

When the CTC1 control bit is set (one), the Timer/Counter1 is reset to \$0000 in the clock cycle after a compareA match. If the CTC1 control bit is cleared, Timer/Counter1 continues counting and is unaffected by a compare match. Since the compare match is detected in the CPU clock cycle following the match, this function will behave differently when a prescaling higher than 1 is used for the timer. When a prescaling of 1 is used and the compareA register is set to C, the timer will count as follows if CTC1 is set:

... | C-2 | C-1 | C | 0 | 1 | 1 | ...

When the prescaler is set to divide by 8, the timer will count like this:

... | C-2, C-2, C-2, C-2, C-2, C-2, C-2, C-2 | C-1, C-1, C-1, C-1, C-1, C-1, C-1, C-1 | C, 0, 0, 0, 0, 0, 0 | 1,1,1,1,1,1,1,1...

In PWM mode, this bit has no effect.

• **Bits 2, 1, 0 – CS12, CS11, CS10: Clock Select1, Bits 2, 1 and 0**

The Clock Select1 bits 2, 1 and 0 define the prescaling source of Timer/Counter1.

**Table 13.** Clock 1 Prescale Select

| CS12 | CS11 | CS10 | Description                          |
|------|------|------|--------------------------------------|
| 0    | 0    | 0    | Stop, the Timer/Counter1 is stopped. |
| 0    | 0    | 1    | CK                                   |
| 0    | 1    | 0    | CK/8                                 |
| 0    | 1    | 1    | CK/64                                |
| 1    | 0    | 0    | CK/256                               |
| 1    | 0    | 1    | CK/1024                              |
| 1    | 1    | 0    | External Pin T1, falling edge        |
| 1    | 1    | 1    | External Pin T1, rising edge         |

The Stop condition provides a Timer Enable/Disable function. The CK down divided modes are scaled directly from the CK oscillator clock. If the external pin modes are used, the corresponding setup must be performed in the actual Direction Control Register (cleared to zero gives an input pin).

**Timer/Counter1 – TCNT1H AND TCNT1L**

| Bit           | 15         | 14  | 13  | 12  | 11  | 10  | 9   | 8          |        |
|---------------|------------|-----|-----|-----|-----|-----|-----|------------|--------|
| \$2D (\$4D)   | <b>MSB</b> |     |     |     |     |     |     |            | TCNT1H |
| \$2C (\$4C)   |            |     |     |     |     |     |     | <b>LSB</b> | TCNT1L |
| Read/Write    | R/W        | R/W | R/W | R/W | R/W | R/W | R/W | R/W        |        |
| Initial Value | 0          | 0   | 0   | 0   | 0   | 0   | 0   | 0          |        |

This 16-bit register contains the prescaled value of the 16-bit Timer/Counter1. To ensure that both the high and low bytes are read and written simultaneously when the CPU accesses these registers, the access is performed using an 8-bit temporary register (TEMP). This temporary register is also used when accessing OCR1A, OCR1B and ICR1. If the main program and also interrupt routines perform access to registers using

TEMP, interrupts must be disabled during access from the main program (and from interrupt routines if interrupts are allowed from within interrupt routines).

- **TCNT1 Timer/Counter1 Write:**  
When the CPU writes to the high byte TCNT1H, the written data is placed in the TEMP register. Next, when the CPU writes the low byte TCNT1L, this byte of data is combined with the byte data in the TEMP register, and all 16 bits are written to the TCNT1 Timer/Counter1 register simultaneously. Consequently, the high byte TCNT1H must be accessed first for a full 16-bit register write operation.
- **TCNT1 Timer/Counter1 Read:**  
When the CPU reads the low byte TCNT1L, the data of the low byte TCNT1L is sent to the CPU and the data of the high byte TCNT1H is placed in the TEMP register. When the CPU reads the data in the high byte TCNT1H, the CPU receives the data in the TEMP register. Consequently, the low byte TCNT1L must be accessed first for a full 16-bit register read operation.

The Timer/Counter1 is realized as an up or up/down (in PWM mode) counter with read and write access. If Timer/Counter1 is written to and a clock source is selected, the Timer/Counter1 continues counting in the timer clock cycle after it is preset with the written value.

**Timer/Counter1 Output Compare Register – OCR1AH AND OCR1AL**

|               |            |     |     |     |     |     |     |            |  |                  |
|---------------|------------|-----|-----|-----|-----|-----|-----|------------|--|------------------|
| Bit           | 15         | 14  | 13  | 12  | 11  | 10  | 9   | 8          |  |                  |
| \$2B (\$4B)   | <b>MSB</b> |     |     |     |     |     |     |            |  | OCR1AH<br>OCR1AL |
| \$2A (\$4A)   |            |     |     |     |     |     |     | <b>LSB</b> |  |                  |
| Read/Write    | R/W        | R/W | R/W | R/W | R/W | R/W | R/W | R/W        |  |                  |
| Initial Value | 0          | 0   | 0   | 0   | 0   | 0   | 0   | 0          |  |                  |
|               | 0          | 0   | 0   | 0   | 0   | 0   | 0   | 0          |  |                  |

**Timer/Counter1 Output Compare Register – OCR1BH AND OCR1BL**

|               |            |     |     |     |     |     |     |            |  |                  |
|---------------|------------|-----|-----|-----|-----|-----|-----|------------|--|------------------|
| Bit           | 15         | 14  | 13  | 12  | 11  | 10  | 9   | 8          |  |                  |
| \$29 (\$49)   | <b>MSB</b> |     |     |     |     |     |     |            |  | OCR1BH<br>OCR1BL |
| \$28 (\$48)   |            |     |     |     |     |     |     | <b>LSB</b> |  |                  |
| Read/Write    | R/W        | R/W | R/W | R/W | R/W | R/W | R/W | R/W        |  |                  |
| Initial Value | 0          | 0   | 0   | 0   | 0   | 0   | 0   | 0          |  |                  |
|               | 0          | 0   | 0   | 0   | 0   | 0   | 0   | 0          |  |                  |

The output compare registers are 16-bit read/write registers.

The Timer/Counter1 Output Compare registers contain the data to be continuously compared with Timer/Counter1. Actions on compare matches are specified in the Timer/Counter1 Control and Status registers. A compare match only occurs if Timer/Counter1 counts to the OCR value. A software write that sets TCNT1 and OCR1A or OCR1B to the same value does not generate a compare match.

A compare match will set the compare interrupt flag in the CPU clock cycle following the compare event.

Since the Output Compare Registers (OCR1A and OCR1B) are 16-bit registers, a temporary register (TEMP) is used when OCR1A/B are written to ensure that both bytes are updated simultaneously. When the CPU writes the high byte, OCR1AH or OCR1BH, the data is temporarily stored in the TEMP register. When the CPU writes the low byte,





OCR1AL or OCR1BL, the TEMP register is simultaneously written to OCR1AH or OCR1BH. Consequently, the high byte OCR1AH or OCR1BH must be written first for a full 16-bit register write operation.

The TEMP register is also used when accessing TCNT1 and ICR1. If the main program and interrupt routines perform access to registers using TEMP, interrupts must be disabled during access from the main program.

### Timer/Counter1 Input Capture Register – ICR1H AND ICR1L

|               |            |    |    |    |    |    |   |            |       |       |
|---------------|------------|----|----|----|----|----|---|------------|-------|-------|
| Bit           | 15         | 14 | 13 | 12 | 11 | 10 | 9 | 8          |       |       |
| \$27 (\$47)   | <b>MSB</b> |    |    |    |    |    |   |            |       | ICR1H |
| \$26 (\$46)   |            |    |    |    |    |    |   | <b>LSB</b> | ICR1L |       |
|               | 7          | 6  | 5  | 4  | 3  | 2  | 1 | 0          |       |       |
| Read/Write    | R          | R  | R  | R  | R  | R  | R | R          |       |       |
| Initial Value | 0          | 0  | 0  | 0  | 0  | 0  | 0 | 0          |       |       |
|               | 0          | 0  | 0  | 0  | 0  | 0  | 0 | 0          |       |       |

The Input Capture Register is a 16-bit read-only register.

When the rising or falling edge (according to the input capture edge setting [ICES1]) of the signal at the input capture pin (ICP) is detected, the current value of the Timer/Counter1 is transferred to the Input Capture Register (ICR1). At the same time, the input capture flag (ICF1) is set (one).

Since the Input Capture Register (ICR1) is a 16-bit register, a temporary register (TEMP) is used when ICR1 is read to ensure that both bytes are read simultaneously. When the CPU reads the low byte ICR1L, the data is sent to the CPU and the data of the high byte ICR1H is placed in the TEMP register. When the CPU reads the data in the high byte ICR1H, the CPU receives the data in the TEMP register. Consequently, the low-byte ICR1L must be accessed first for a full 16-bit register read operation.

The TEMP register is also used when accessing TCNT1, OCR1A and OCR1B. If the main program and interrupt routines perform access to registers using TEMP, interrupts must be disabled during access from the main program.

### Timer/Counter1 In PWM Mode

When the PWM mode is selected, Timer/Counter1, the Output Compare Register1A (OCR1A) and the Output Compare Register1B (OCR1B) form a dual 8-, 9- or 10-bit, free-running, glitch-free and phase-correct PWM with outputs on the PD5(OC1A) and PD4(OC1B) pins. Timer/Counter1 acts as an up/down counter, counting up from \$0000 to TOP (see Table 14), where it turns and counts down again to zero before the cycle is repeated. When the counter value matches the contents of the 10 least significant bits of OCR1A or OCR1B, the PD5(OC1A)/PD4(OC1B) pins are set or cleared according to the settings of the COM1A1/COM1A0 or COM1B1/COM1B0 bits in the Timer/Counter1 Control Register (TCCR1A). Refer to Table 15 for details.

**Table 14.** Timer TOP Values and PWM Frequency

| PWM Resolution | Timer TOP value | Frequency       |
|----------------|-----------------|-----------------|
| 8-bit          | \$00FF (255)    | $f_{TCK1}/510$  |
| 9-bit          | \$01FF (511)    | $f_{TCK1}/1022$ |
| 10-bit         | \$03FF(1023)    | $f_{TCK1}/2046$ |

Note that if the Compare Register contains the TOP value and the prescaler is not in use (CS12..CS10 = 001), the PWM output will not produce any pulse at all, because the

up-counting and down-counting values are reached simultaneously. When the prescaler is in use (CS12..CS10 ≠ 001 or 000), the PWM output goes active when the counter reaches TOP value, but the down-counting compare match is not interpreted to be reached before the next time the counter reaches the TOP value, making a one-period PWM pulse.

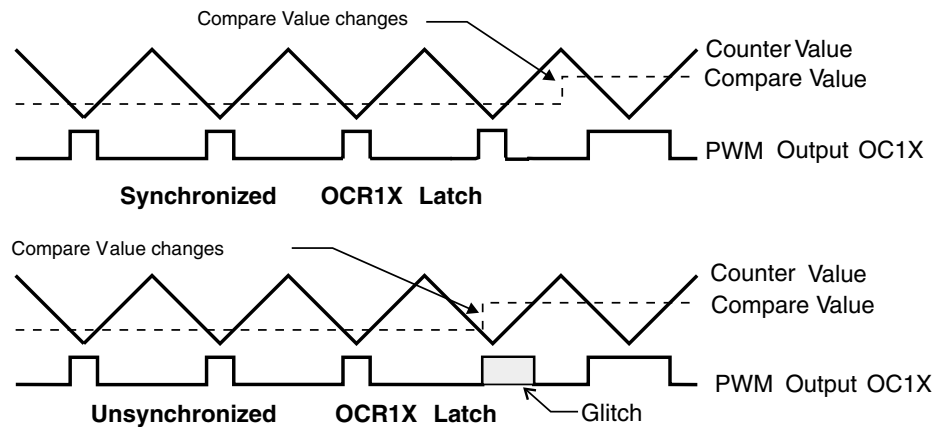
**Table 15.** Compare1 Mode Select in PWM Mode

| COM1X1 | COM1X0 | Effect on OCX1   |
|--------|--------|--|
| 0      | 0      | Not connected  |
| 0      | 1      | Not connected  |
| 1      | 0      | Cleared on compare match, up-counting. Set on compare match, down-counting (non-inverted PWM). |
| 1      | 1      | Cleared on compare match, down-counting. Set on compare match, up-counting (inverted PWM).     |

Note: X = A or B

Note that in the PWM mode, the 10 least significant OCR1A/OCR1B bits, when written, are transferred to a temporary location. They are latched when Timer/Counter1 reaches the value TOP. This prevents the occurrence of odd-length PWM pulses (glitches) in the event of an unsynchronized OCR1A/OCR1B write. See Figure 33 for an example.

**Figure 33.** Effects of Unsynchronized OCR1 Latching



Note: X = A or B

During the time between the write and the latch operations, a read from OCR1A or OCR1B will read the contents of the temporary location. This means that the most recently written value always will read out of OCR1A/B.

When the OCR1A/OCR1B contains \$0000 or TOP, the output OC1A/OC1B is updated to low or high on the next compare match according to the settings of COM1A1/COM1A0 or COM1B1/COM1B0. This is shown in Table 16.

**Table 16.** PWM Outputs OCR1X = \$0000 or TOP

| COM1X1 | COM1X0 | OCR1X  | Output OC1X |
|--------|--------|--------|-------------|
| 1      | 0      | \$0000 | L           |

**Table 16.** PWM Outputs OCR1X = \$0000 or TOP

| COM1X1 | COM1X0 | OCR1X  | Output OC1X |
|--------|--------|--------|-------------|
| 1      | 0      | TOP    | H           |
| 1      | 1      | \$0000 | H           |
| 1      | 1      | TOP    | L           |

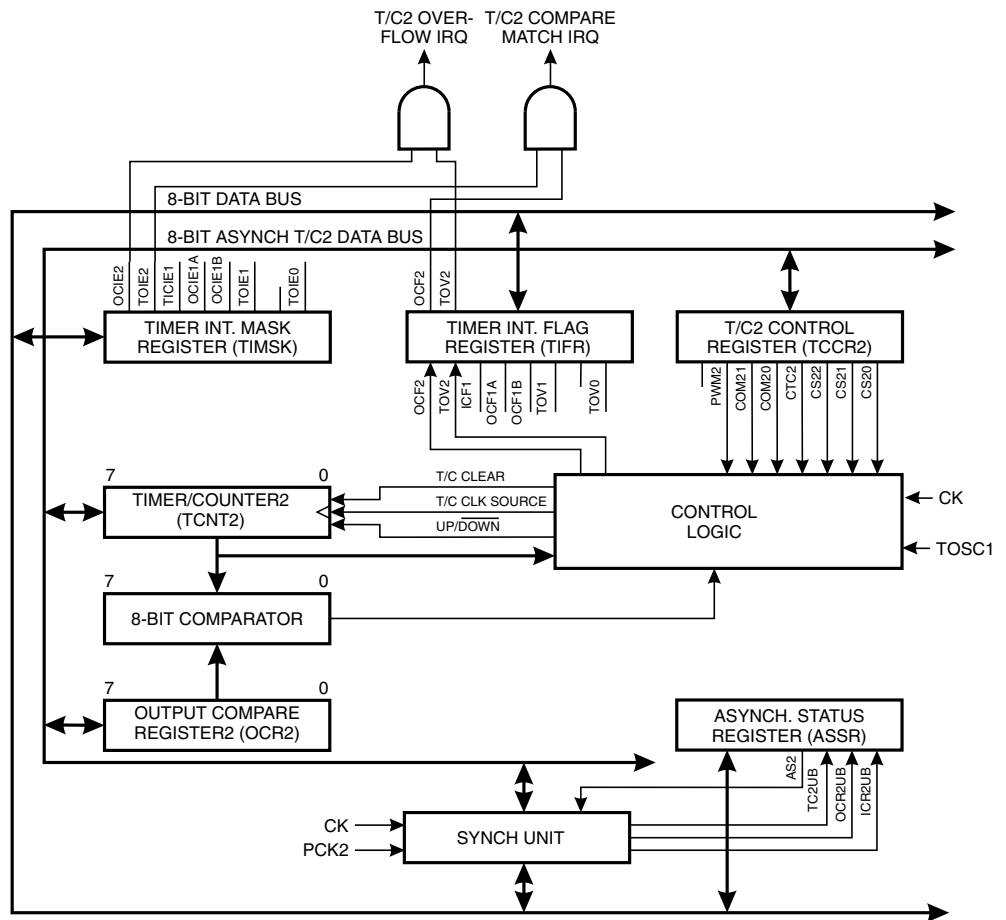
Note: X = A

In PWM mode, the Timer Overflow Flag1 (TOV1) is set when the counter advances from \$0000. Timer Overflow Interrupt1 operates exactly as in normal Timer/Counter mode, i.e., it is executed when TOV1 is set, provided that Timer Overflow Interrupt1 and global interrupts are enabled. This also applies to the Timer Output Compare1 flags and interrupts.

## 8-bit Timer/Counter2

Figure 34 shows the block diagram for Timer/Counter2.

**Figure 34.** Timer/Counter2 Block Diagram



The 8-bit Timer/Counter2 can select clock source from PCK2 or prescaled PCK2. It can also be stopped as described in the specification for the Timer/Counter Control Register (TCCR2).

The different status flags (Overflow and Compare Match) are found in the Timer/Counter Interrupt Flag Register (TIFR). Control signals are found in the

Timer/Counter Control Register (TCCR2). The interrupt enable/disable settings are found in the Timer/Counter Interrupt Mask Register (TIMSK).

This module features a high-resolution and a high-accuracy usage with the lower prescaling opportunities. Similarly, the high prescaling opportunities make this unit useful for lower speed functions or exact timing functions with infrequent actions.

The Timer/Counter supports an Output Compare function using the Output Compare Register (OCR2) as the data source to be compared to the Timer/Counter contents. The Output Compare function includes optional clearing of the counter on compare match and action on the Output Compare Pin, PD7(OC2), on compare match. Writing to PORTD7 does not set the OC2 value to a predetermined value.

Timer/Counter2 can also be used as an 8-bit Pulse Width Modulator. In this mode, Timer/Counter2 and the Output Compare Register serve as a glitch-free, stand-alone PWM with centered pulses. Refer to page 45 for a detailed description of this function.

## Timer/Counter2 Control Register – TCCR2

|               |   |      |       |       |      |      |      |      |       |
|---------------|---|------|-------|-------|------|------|------|------|-------|
| Bit           | 7 | 6    | 5     | 4     | 3    | 2    | 1    | 0    |       |
| \$25 (\$45)   | – | PWM2 | COM21 | COM20 | CTC2 | CS22 | CS21 | CS20 | TCCR2 |
| Read/Write    | R | R/W  | R/W   | R/W   | R/W  | R/W  | R/W  | R/W  |       |
| Initial Value | 0 | 0    | 0     | 0     | 0    | 0    | 0    | 0    |       |

- **Bit 7 – Res: Reserved Bit**

This bit is a reserved bit in the AT90S8535 and always reads as zero.

- **Bit 6 – PWM2: Pulse Width Modulator Enable**

When set (one), this bit enables PWM mode for Timer/Counter2. This mode is described on page 45.

- **Bits 5, 4 – COM21, COM20: Compare Output Mode, Bits 1 and 0**

The COM21 and COM20 control bits determine any output pin action following a compare match in Timer/Counter2. Output pin actions affect pin PD7(OC2). This is an alternative function to an I/O port and the corresponding direction control bit must be set (one) to control an output pin. The control configuration is shown in Table 17.

**Table 17.** Compare Mode Select

| COM21 | COM20 | Description                                    |
|-------|-------|--|
| 0     | 0     | Timer/Counter disconnected from output pin OC2 |
| 0     | 1     | Toggle the OC2 output line.                    |
| 1     | 0     | Clear the OC2 output line (to zero).           |
| 1     | 1     | Set the OC2 output line (to one).              |

Note: In PWM mode, these bits have a different function. Refer to Table 19 for a detailed description.

- **Bit 3 – CTC2: Clear Timer/Counter on Compare Match**

When the CTC2 control bit is set (one), Timer/Counter2 is reset to \$00 in the CPU clock cycle after a compare match. If the control bit is cleared, Timer/Counter2 continues counting and is unaffected by a compare match. Since the compare match is detected in the CPU clock cycle following the match, this function will behave differently when a prescaling higher than 1 is used for the timer. When a prescaling of 1 is used and the compare2 register is set to C, the timer will count as follows if CTC2 is set:

... | C-2 | C-1 | C | 0 | 1 | 1 | ...

When the prescaler is set to divide by 8, the timer will count like this:

... | C-2, C-2, C-2, C-2, C-2, C-2, C-2, C-2 | C-1, C-1, C-1, C-1, C-1, C-1, C-1, C-1 | C, 0, 0, 0, 0, 0, 0, 0 | 1, 1, 1,...

In PWM mode, this bit has no effect.

• **Bits 2, 1, 0 – CS22, CS21, CS20: Clock Select Bits 2, 1 and 0**

The Clock Select bits 2,1 and 0 define the prescaling source of Timer/Counter2.

**Table 18.** Timer/Counter2 Prescale Select

| CS22 | CS21 | CS20 | Description                |
|------|------|------|----------------------------|
| 0    | 0    | 0    | Timer/Counter2 is stopped. |
| 0    | 0    | 1    | PCK2                       |
| 0    | 1    | 0    | PCK2/ 8                    |
| 0    | 1    | 1    | PCK2/ 32                   |
| 1    | 0    | 0    | PCK2/ 64                   |
| 1    | 0    | 1    | PCK2/128                   |
| 1    | 1    | 0    | PCK2/256                   |
| 1    | 1    | 1    | PCK2/1024                  |

The Stop condition provides a Timer Enable/Disable function. The prescaled CK modes are scaled directly from the CK oscillator clock.

**Timer/Counter2 – TCNT2**

|               |            |     |     |     |     |     |     |            |              |
|---------------|------------|-----|-----|-----|-----|-----|-----|------------|--------------|
| Bit           | 7          | 6   | 5   | 4   | 3   | 2   | 1   | 0          |              |
| \$24 (\$44)   | <b>MSB</b> |     |     |     |     |     |     | <b>LSB</b> | <b>TCNT2</b> |
| Read/Write    | R/W        | R/W | R/W | R/W | R/W | R/W | R/W | R/W        |              |
| Initial Value | 0          | 0   | 0   | 0   | 0   | 0   | 0   | 0          |              |

This 8-bit register contains the value of Timer/Counter2.

Timer/Counter2 is realized as an up or up/down (in PWM mode) counter with read and write access. If the Timer/Counter2 is written to and a clock source is selected, it continues counting in the timer clock cycle following the write operation.

**Timer/Counter2 Output Compare Register – OCR2**

|               |            |     |     |     |     |     |     |            |             |
|---------------|------------|-----|-----|-----|-----|-----|-----|------------|-------------|
| Bit           | 7          | 6   | 5   | 4   | 3   | 2   | 1   | 0          |             |
| \$23 (\$43)   | <b>MSB</b> |     |     |     |     |     |     | <b>LSB</b> | <b>OCR2</b> |
| Read/Write    | R/W        | R/W | R/W | R/W | R/W | R/W | R/W | R/W        |             |
| Initial Value | 0          | 0   | 0   | 0   | 0   | 0   | 0   | 0          |             |

The Output Compare Register is an 8-bit read/write register.

The Timer/Counter Output Compare Register contains the data to be continuously compared with Timer/Counter2. Actions on compare matches are specified in TCCR2. A compare match only occurs if Timer/Counter2 counts to the OCR2 value. A software write that sets TCNT2 and OCR2 to the same value does not generate a compare match.

A compare match will set the compare interrupt flag in the CPU clock cycle following the compare event.

**Timer/Counter2 in PWM Mode**

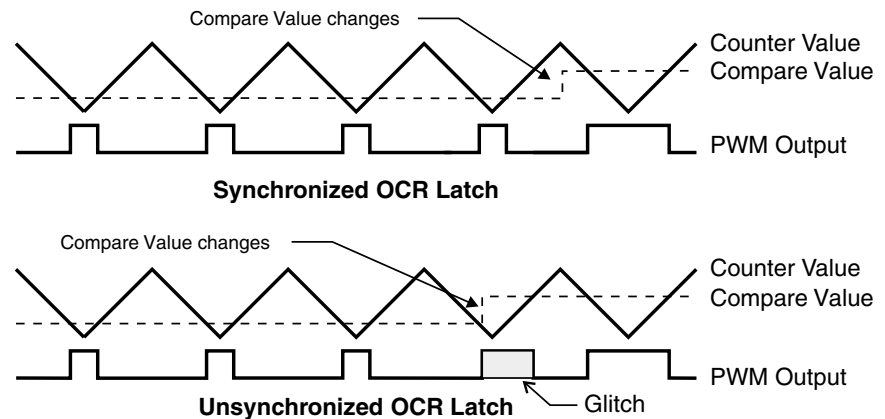
When the PWM mode is selected, Timer/Counter2 and the Output Compare Register (OCR2) form an 8-bit, free-running, glitch-free and phase correct PWM with outputs on the PD7(OC2) pin. Timer/Counter2 acts as an up/down counter, counting up from \$00 to \$FF, where it turns and counts down again to zero before the cycle is repeated. When the counter value matches the contents of the Output Compare Register, the PD7(OC2) pin is set or cleared according to the settings of the COM21/COM20 bits in the Timer/Counter2 Control Register (TCCR2). Refer to Table 19 for details.

**Table 19.** Compare Mode Select in PWM Mode

| COM21 | COM20 | Effect on Compare Pin   |
|-------|-------|---|
| 0     | 0     | Not connected   |
| 0     | 1     | Not connected   |
| 1     | 0     | Cleared on compare match, up-counting. Set on compare match, down-counting (non-inverted PWM).      |
| 1     | 1     | Cleared on compare match, down-counting time-out. Set on compare match, up-counting (inverted PWM). |

Note that in PWM mode, the Output Compare Register is transferred to a temporary location when written. The value is latched when the Timer/Counter reaches \$FF. This prevents the occurrence of odd-length PWM pulses (glitches) in the event of an unsynchronized OCR2 write. See Figure 35 for an example.

**Figure 35.** Effects of Unsynchronized OCR Latching



During the time between the write and the latch operation, a read from OCR2 will read the contents of the temporary location. This means that the most recently written value always will read out of OCR2.

When the OCR register (not the temporary register) is updated to \$00 or \$FF, the PWM output changes to low or high immediately according to the settings of COM21/COM20. This is shown in Table 20.

**Table 20.** PWM Outputs OCR2 = \$00 or \$FF

| COM21 | COM20 | OCR2 | Output PWM2 |
|-------|-------|------|-------------|
| 1     | 0     | \$00 | L           |



**Table 20.** PWM Outputs OCR2 = \$00 or \$FF

| COM21 | COM20 | OCR2 | Output PWM2 |
|-------|-------|------|-------------|
| 1     | 0     | \$FF | H           |
| 1     | 1     | \$00 | H           |
| 1     | 1     | \$FF | L           |

In PWM mode, the Timer Overflow Flag (TOV2) is set when the counter advances from \$00. Timer Overflow Interrupt2 operates exactly as in normal Timer/Counter mode, i.e., it is executed when TOV2 is set, provided that Timer Overflow Interrupt and global interrupts are enabled. This also applies to the Timer Output Compare flag and interrupt.

The frequency of the PWM will be Timer Clock Frequency divided by 510.

**Asynchronous Status Register – ASSR**

| Bit           | 7 | 6 | 5 | 4 | 3   | 2      | 1      | 0      |      |
|---------------|---|---|---|---|-----|--------|--------|--------|------|
| \$22 (\$22)   | – | – | – | – | AS2 | TCN2UB | OCR2UB | TCR2UB | ASSR |
| Read/Write    | R | R | R | R | R/W | R      | R      | R      |      |
| Initial Value | 0 | 0 | 0 | 0 | 0   | 0      | 0      | 0      |      |

• **Bit 7..4 – Res: Reserved Bits**

These bits are reserved bits in the AT90S8535 and always read as zero.

• **Bit 3 – AS2: Asynchronous Timer/Counter2**

When AS2 is set (one), Timer/Counter2 is clocked from the TOSC1 pin. Pins PC6 and PC7 become connected to a crystal oscillator and cannot be used as general I/O pins. When cleared (zero), Timer/Counter2 is clocked from the internal system clock, CK. When the value of this bit is changed, the contents of TCNT2, OCR2 and TCCR2 might get corrupted.

• **Bit 2 – TCN2UB: Timer/Counter2 Update Busy**

When Timer/Counter2 operates asynchronously and TCNT2 is written, this bit becomes set (one). When TCNT2 has been updated from the temporary storage register, this bit is cleared (zero) by hardware. A logical “0” in this bit indicates that TCNT2 is ready to be updated with a new value.

• **Bit 1 – OCR2UB: Output Compare Register2 Update Busy**

When Timer/Counter2 operates asynchronously and OCR2 is written, this bit becomes set (one). When OCR2 has been updated from the temporary storage register, this bit is cleared (zero) by hardware. A logical “0” in this bit indicates that OCR2 is ready to be updated with a new value.

• **Bit 0 – TCR2UB: Timer/Counter Control Register2 Update Busy**

When Timer/Counter2 operates asynchronously and TCCR2 is written, this bit becomes set (one). When TCCR2 has been updated from the temporary storage register, this bit is cleared (zero) by hardware. A logical “0” in this bit indicates that TCCR2 is ready to be updated with a new value.

If a write is performed to any of the three Timer/Counter2 registers while its Update Busy flag is set (one), the updated value might get corrupted and cause an unintentional interrupt to occur.

The mechanisms for reading TCNT2, OCR2 and TCCR2 are different. When reading TCNT2, the actual timer value is read. When reading OCR2 or TCCR2, the value in the temporary storage register is read.

## Asynchronous Operation of Timer/Counter2

When Timer/Counter2 operates asynchronously, some considerations must be taken.

- **Warning:** When switching between asynchronous and synchronous clocking of Timer/Counter2, the timer registers TCNT2, OCR2 and TCCR2 might get corrupted. A safe procedure for switching clock source is:
  1. Disable the Timer/Counter2 interrupts OCIE2 and TOIE2.
  2. Select clock source by setting AS2 as appropriate.
  3. Write new values to TCNT2, OCR2 and TCCR2.
  4. To switch to asynchronous operation: Wait for TCN2UB, OCR2UB and TCR2UB.
  5. Clear the Timer/Counter2 interrupt flags.
  6. Clear the TOV2 and OCF2 flags in TIFR.
  7. Enable interrupts, if needed.
- When writing to one of the registers TCNT2, OCR2 or TCCR2, the value is transferred to a temporary register and latched after two positive edges on TOSC1. The user should not write a new value before the contents of the temporary register have been transferred to their destination. Each of the three mentioned registers have their individual temporary register. For example, writing to TCNT2 does not disturb an OCR2 write in progress. To detect that a transfer to the destination register has taken place, an Asynchronous Status Register (ASSR) has been implemented.
- When entering a Power Save Mode after having written to TCNT2, OCR2 or TCCR2, the user must wait until the written register has been updated if Timer/Counter2 is used to wake up the device. Otherwise, the MCU will go to sleep before the changes have had any effect. This is extremely important if the Output Compare2 interrupt is used to wake up the device; Output Compare is disabled during write to OCR2 or TCNT2. If the write cycle is not finished (i.e., the user goes to sleep before the OCR2UB bit returns to zero), the device will never get a compare match and the MCU will not wake up.
- If Timer/Counter2 is used to wake up the device from Power Save Mode, precautions must be taken if the user wants to re-enter Power Save Mode: The interrupt logic needs one TOSC1 cycle to be reset. If the time between wake up and re-entering Power Save Mode is less than one TOSC1 cycle, the interrupt will not occur and the device will fail to wake up. If the user is in doubt whether the time before re-entering Power Save is sufficient, the following algorithm can be used to ensure that one TOSC1 cycle has elapsed:
  1. Write a value to TCCR2, TCNT2 or OCR2.
  2. Wait until the corresponding Update Busy flag in ASSR returns to zero.
  3. Enter Power Save Mode.
- When the asynchronous operation is selected, the 32 kHz oscillator for Timer/Counter2 is always running, except in Power-down mode. After a power-up reset or wake-up from power-down, the user should be aware of the fact that this oscillator might take as long as one second to stabilize. The user is advised to wait for at least one second before using Timer/Counter2 after power-up or wake-up from power-down. The content of all Timer/Counter2 registers must be considered lost after a wake-up from power-down due to the unstable clock signal upon start-up, regardless of whether the oscillator is in use or a clock signal is applied to the TOSC pin.
- **Description of wake-up from Power Save Mode when the timer is clocked asynchronously:** When the interrupt condition is met, the wake-up process is started on the following cycle of the timer clock, that is, the timer is always advanced by at



least one before the processor can read the counter value. After wake-up, the MCU is halted for four cycles, it executes the interrupt routine, and resumes execution from the instruction following SLEEP.

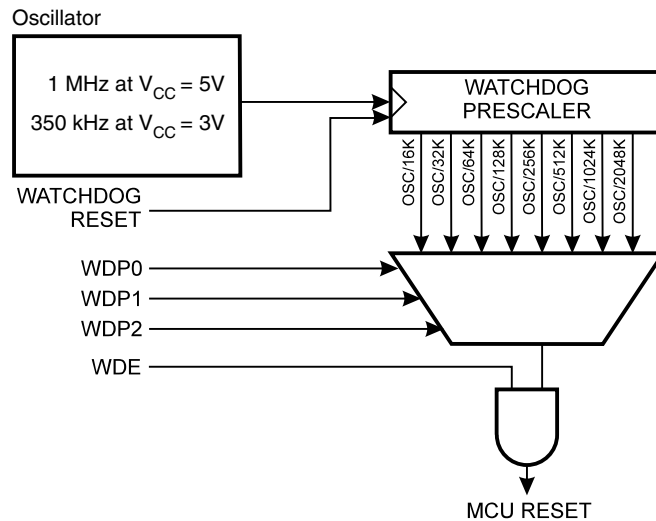
- During asynchronous operation, the synchronization of the interrupt flags for the asynchronous timer takes three processor cycles plus one timer cycle. The timer is therefore advanced by at least 1 before the processor can read the timer value causing the setting of the interrupt flag. The output compare pin is changed on the timer clock and is not synchronized to the processor clock.

## Watchdog Timer

The Watchdog Timer is clocked from a separate On-chip oscillator. By controlling the Watchdog Timer prescaler, the Watchdog reset interval can be adjusted as shown in Table 21. See characterization data for typical values at other  $V_{CC}$  levels. The WDR (Watchdog Reset) instruction resets the Watchdog Timer. Eight different clock cycle periods can be selected to determine the reset period. If the reset period expires without another Watchdog reset, the AT90S8535 resets and executes from the reset vector. For timing details on the Watchdog reset, refer to page 22.

To prevent unintentional disabling of the Watchdog, a special turn-off sequence must be followed when the Watchdog is disabled. Refer to the description of the Watchdog Timer Control Register for details.

Figure 36. Watchdog Timer



## Watchdog Timer Control Register – WDTCR

|               |   |   |   |       |     |      |      |      |       |
|---------------|---|---|---|-------|-----|------|------|------|-------|
| Bit           | 7 | 6 | 5 | 4     | 3   | 2    | 1    | 0    |       |
| \$21 (\$41)   | – | – | – | WDT0E | WDE | WDP2 | WDP1 | WDP0 | WDTCR |
| Read/Write    | R | R | R | R/W   | R/W | R/W  | R/W  | R/W  |       |
| Initial Value | 0 | 0 | 0 | 0     | 0   | 0    | 0    | 0    |       |

- **Bits 7..5 – Res: Reserved Bits**

These bits are reserved bits in the AT90S8535 and will always read as zero.

- **Bit 4 – WDT0E: Watchdog Turn-off Enable**

This bit must be set (one) when the WDE bit is cleared. Otherwise, the Watchdog will not be disabled. Once set, hardware will clear this bit to zero after four clock cycles. Refer to the description of the WDE bit for a Watchdog disable procedure.

- **Bit 3 – WDE: Watchdog Enable**

When the WDE is set (one) the Watchdog Timer is enabled and if the WDE is cleared (zero) the Watchdog Timer function is disabled. WDE can only be cleared if the WDT0E bit is set (one). To disable an enabled Watchdog Timer, the following procedure must be followed:

1. In the same operation, write a logical “1” to WDTOE and WDE. A logical “1” must be written to WDE even though it is set to “1” before the disable operation starts.
2. Within the next four clock cycles, write a logical “0” to WDE. This disables the Watchdog.

• **Bits 2..0 – WDP2, WDP1, WDP0: Watchdog Timer Prescaler 2, 1 and 0**

The WDP2, WDP1 and WDP0 bits determine the Watchdog Timer prescaling when the Watchdog Timer is enabled. The different prescaling values and their corresponding time-out periods are shown in Table 21.

**Table 21.** Watchdog Timer Prescale Select

| WDP2 | WDP1 | WDP0 | Number of WDT Oscillator Cycles | Typical Time-out at V <sub>CC</sub> = 3.0V | Typical Time-out at V <sub>CC</sub> = 5.0V |
|------|------|------|---------------------------------|--|--|
| 0    | 0    | 0    | 16K cycles                      | 47 ms                                      | 15 ms                                      |
| 0    | 0    | 1    | 32K cycles                      | 94 ms                                      | 30 ms                                      |
| 0    | 1    | 0    | 64K cycles                      | 0.19 s                                     | 60 ms                                      |
| 0    | 1    | 1    | 128K cycles                     | 0.38 s                                     | 0.12 s                                     |
| 1    | 0    | 0    | 256K cycles                     | 0.75 s                                     | 0.24 s                                     |
| 1    | 0    | 1    | 512K cycles                     | 1.5 s                                      | 0.49 s                                     |
| 1    | 1    | 0    | 1,024K cycles                   | 3.0 s                                      | 0.97 s                                     |
| 1    | 1    | 1    | 2,048K cycles                   | 6.0 s                                      | 1.9 s                                      |

Note: The frequency of the Watchdog oscillator is voltage-dependent as shown in the Electrical Characteristics section.

The WDR (Watchdog Reset) instruction should always be executed before the Watchdog Timer is enabled. This ensures that the reset period will be in accordance with the Watchdog Timer prescale settings. If the Watchdog Timer is enabled without reset, the Watchdog Timer may not start to count from zero.

To avoid unintentional MCU resets, the Watchdog Timer should be disabled or reset before changing the Watchdog Timer Prescale Select.

## EEPROM Read/Write Access

The EEPROM access registers are accessible in the I/O space.

The write access time is in the range of 2.5 - 4 ms, depending on the  $V_{CC}$  voltages. A self-timing function lets the user software detect when the next byte can be written. A special EEPROM Ready interrupt can be set to trigger when the EEPROM is ready to accept new data.

In order to prevent unintentional EEPROM writes, a specific write procedure must be followed. Refer to the description of the EEPROM Control Register for details on this.

When the EEPROM is read, the CPU is halted for four clock cycles before the next instruction is executed. When the EEPROM is written, the CPU is halted for two clock cycles before the next instruction is executed.

## EEPROM Address Register – EEARH and EEARL

| Bit           | 15    | 14    | 13    | 12    | 11    | 10    | 9     | 8     |       |
|---------------|-------|-------|-------|-------|-------|-------|-------|-------|-------|
| \$1F (\$3F)   | –     | –     | –     | –     | –     | –     | –     | EEAR8 | EEARH |
| \$1E (\$3E)   | EEAR7 | EEAR6 | EEAR5 | EEAR4 | EEAR3 | EEAR2 | EEAR1 | EEAR0 | EEARL |
|               | 7     | 6     | 5     | 4     | 3     | 2     | 1     | 0     |       |
| Read/Write    | R     | R     | R     | R     | R     | R     | R     | R/W   |       |
|               | R/W   | R/W   | R/W   | R/W   | R/W   | R/W   | R/W   | R/W   |       |
| Initial Value | 0     | 0     | 0     | 0     | 0     | 0     | 0     | X     |       |
|               | X     | X     | X     | X     | X     | X     | X     | X     |       |

The EEPROM address registers (EEARH and EEARL) specify the EEPROM address in the 512-byte EEPROM space. The EEPROM data bytes are addressed linearly between 0 and 511.

## EEPROM Data Register – EEDR

| Bit           | 7   | 6   | 5   | 4   | 3   | 2   | 1   | 0   |      |
|---------------|-----|-----|-----|-----|-----|-----|-----|-----|------|
| \$1D (\$3D)   | MSB |     |     |     |     |     |     | LSB | EEDR |
| Read/Write    | R/W | R/W | R/W | R/W | R/W | R/W | R/W | R/W |      |
| Initial Value | 0   | 0   | 0   | 0   | 0   | 0   | 0   | 0   |      |

### • Bits 7..0 – EEDR7.0: EEPROM Data

For the EEPROM write operation, the EEDR register contains the data to be written to the EEPROM in the address given by the EEAR register. For the EEPROM read operation, the EEDR contains the data read out from the EEPROM at the address given by EEAR.

## EEPROM Control Register – EECR

| Bit           | 7 | 6 | 5 | 4 | 3     | 2     | 1    | 0    |      |
|---------------|---|---|---|---|-------|-------|------|------|------|
| \$1C (\$3C)   | – | – | – | – | EERIE | EEMWE | EEWE | EERE | EECR |
| Read/Write    | R | R | R | R | R/W   | R/W   | R/W  | R/W  |      |
| Initial Value | 0 | 0 | 0 | 0 | 0     | 0     | 0    | 0    |      |

### • Bit 7..4 – Res: Reserved Bits

These bits are reserved bits in the AT90S8535 and will always read as zero.

### • Bit 3 – EERIE: EEPROM Ready Interrupt Enable

When the I-bit in SREG and EERIE are set (one), the EEPROM Ready Interrupt is enabled. When cleared (zero), the interrupt is disabled. The EEPROM Ready Interrupt generates a constant interrupt when EEWE is cleared (zero).

- **Bit 2 – EEMWE: EEPROM Master Write Enable**

The EEMWE bit determines whether setting EWE to “1” causes the EEPROM to be written. When EEMWE is set (one), setting EWE will write data to the EEPROM at the selected address. If EEMWE is zero, setting EWE will have no effect. When EEMWE has been set (one) by software, hardware clears the bit to zero after four clock cycles. See the description of the EWE bit for a EEPROM write procedure.

- **Bit 1 – EWE: EEPROM Write Enable**

The EEPROM Write Enable signal (EWE) is the write strobe to the EEPROM. When address and data are correctly set up, the EWE bit must be set to write the value into the EEPROM. The EEMWE bit must be set when the logical “1” is written to EWE, otherwise no EEPROM write takes place. The following procedure should be followed when writing the EEPROM (the order of steps 2 and 3 is unessential):

1. Wait until EWE becomes zero.
2. Write new EEPROM address to EEARL and EEARH (optional).
3. Write new EEPROM data to EEDR (optional).
4. Write a logical “1” to the EEMWE bit in EECR (to be able to write a logical “1” to the EEMWE bit, the EWE bit must be written to “0” in the same cycle).
5. Within four clock cycles after setting EEMWE, write a logical “1” to EWE.

Caution: An interrupt between step 4 and step 5 will make the write cycle fail, since the EEPROM Master Write Enable will time-out. If an interrupt routine accessing the EEPROM is interrupting another EEPROM access, the EEAR and EEDR registers will be modified, causing the interrupted EEPROM access to fail. It is recommended to have the global interrupt flag cleared during the four last steps to avoid these problems.

When the write access time (typically 2.5 ms at  $V_{CC} = 5V$  or 4 ms at  $V_{CC} = 2.7V$ ) has elapsed, the EWE bit is cleared (zero) by hardware. The user software can poll this bit and wait for a zero before writing the next byte. When EWE has been set, the CPU is halted for two clock cycles before the next instruction is executed.

- **Bit 0 – EERE: EEPROM Read Enable**

The EEPROM Read Enable signal (EERE) is the read strobe to the EEPROM. When the correct address is set up in the EEAR register, the EERE bit must be set. When the EERE bit is cleared (zero) by hardware, requested data is found in the EEDR register. The EEPROM read access takes one instruction and there is no need to poll the EERE bit. When EERE has been set, the CPU is halted for four clock cycles before the next instruction is executed.

The user should poll the EWE bit before starting the read operation. If a write operation is in progress when new data or address is written to the EEPROM I/O registers, the write operation will be interrupted and the result is undefined.

## Prevent EEPROM Corruption

During periods of low  $V_{CC}$ , the EEPROM data can be corrupted because the supply voltage is too low for the CPU and the EEPROM to operate properly. These issues are the same as for board level systems using the EEPROM and the same design solutions should be applied.

An EEPROM data corruption can be caused by two situations when the voltage is too low. First, a regular write sequence to the EEPROM requires a minimum voltage to operate correctly. Secondly, the CPU itself can execute instructions incorrectly, if the supply voltage for executing instructions is too low.

EEPROM data corruption can easily be avoided by following these design recommendations (one is sufficient):

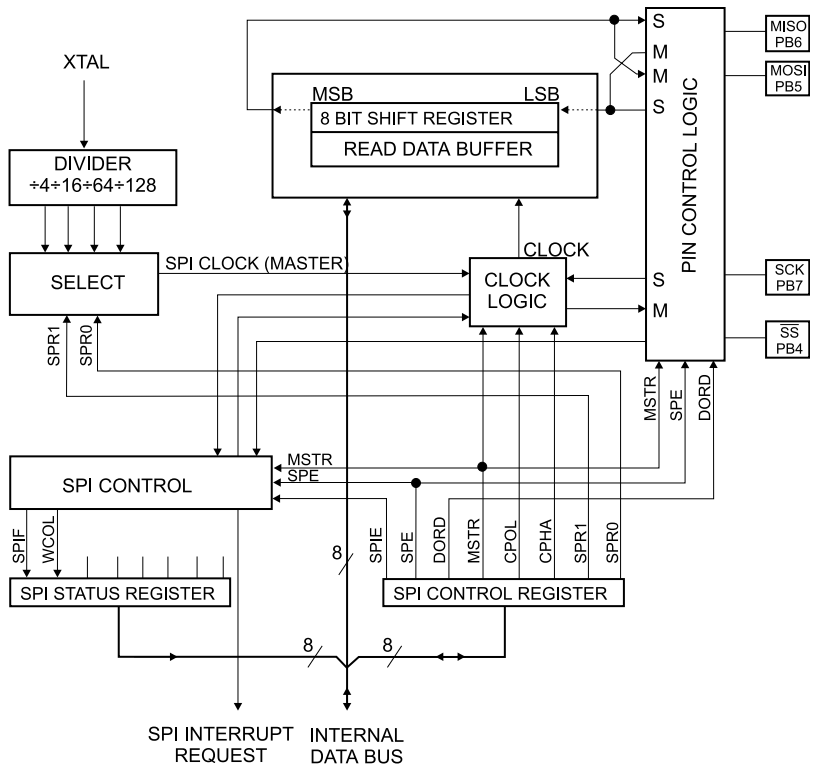
1. Keep the AVR RESET active (low) during periods of insufficient power supply voltage. This is best done by an external low  $V_{CC}$  Reset Protection circuit, often referred to as a Brown-out Detector (BOD). Please refer to application note AVR 180 for design considerations regarding power-on reset and low-voltage detection.
2. Keep the AVR core in Power-down Sleep Mode during periods of low  $V_{CC}$ . This will prevent the CPU from attempting to decode and execute instructions, effectively protecting the EEPROM registers from unintentional writes.
3. Store constants in Flash memory if the ability to change memory contents from software is not required. Flash memory cannot be updated by the CPU and will not be subject to corruption.

## Serial Peripheral Interface – SPI

The Serial Peripheral Interface (SPI) allows high-speed synchronous data transfer between the AT90S8535 and peripheral devices or between several AVR devices. The AT90S8535 SPI features include the following:

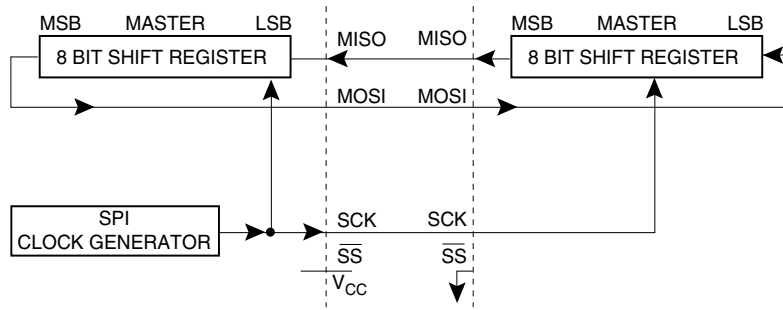
- Full-duplex, 3-wire Synchronous Data Transfer
- Master or Slave Operation
- LSB First or MSB First Data Transfer
- Four Programmable Bit Rates
- End-of-transmission Interrupt Flag
- Write Collision Flag Protection
- Wake-up from Idle Mode

Figure 37. SPI Block Diagram



The interconnection between master and slave CPUs with SPI is shown in Figure 38. The PB7(SCK) pin is the clock output in the Master Mode and is the clock input in the Slave Mode. Writing to the SPI Data Register of the master CPU starts the SPI clock generator and the data written shifts out of the PB5(MOSI) pin and into the PB5(MOSI) pin of the slave CPU. After shifting one byte, the SPI clock generator stops, setting the end-of-transmission flag (SPIF). If the SPI interrupt enable bit (SPIE) in the SPCR register is set, an interrupt is requested. The Slave Select input, PB4(SS), is set low to select an individual slave SPI device. The two shift registers in the master and the slave can be considered as one distributed 16-bit circular shift register. This is shown in Figure 38. When data is shifted from the master to the slave, data is also shifted in the opposite direction, simultaneously. During one shift cycle, data in the master and the slave is interchanged.

**Figure 38.** SPI Master-slave Interconnection



The system is single-buffered in the transmit direction and double-buffered in the receive direction. This means that bytes to be transmitted cannot be written to the SPI Data Register before the entire shift cycle is completed. When receiving data, however, a received byte must be read from the SPI Data Register before the next byte has been completely shifted in. Otherwise, the first byte is lost.

When the SPI is enabled, the data direction of the MOSI, MISO, SCK and  $\overline{SS}$  pins is overridden according to Table 22.

**Table 22.** SPI Pin Overrides

| Pin             | Direction, Master SPI | Direction, Slave SPI |
|-----------------|-----------------------|----------------------|
| MOSI            | User Defined          | Input                |
| MISO            | Input                 | User Defined         |
| SCK             | User Defined          | Input                |
| $\overline{SS}$ | User Defined          | Input                |

Note: See "Alternate Functions of Port B" on page 79 for a detailed description of how to define the direction of the user-defined SPI pins.

## SS Pin Functionality

When the SPI is configured as a master (MSTR in SPCR is set), the user can determine the direction of the SS pin. If SS is configured as an output, the pin is a general output pin, which does not affect the SPI system. If SS is configured as an input, it must be held high to ensure master SPI operation. If the SS pin is driven low by peripheral circuitry when the SPI is configured as master with the SS pin defined as an input, the SPI system interprets this as another master selecting the SPI as a slave and starting to send data to it. To avoid bus contention, the SPI system takes the following actions:

1. The MSTR bit in SPCR is cleared and the SPI system becomes a slave. As a result of the SPI becoming a slave, the MOSI and SCK pins become inputs.
2. The SPIF flag in SPSR is set and if the SPI interrupt is enabled and the I-bit in SREG are set, the interrupt routine will be executed.

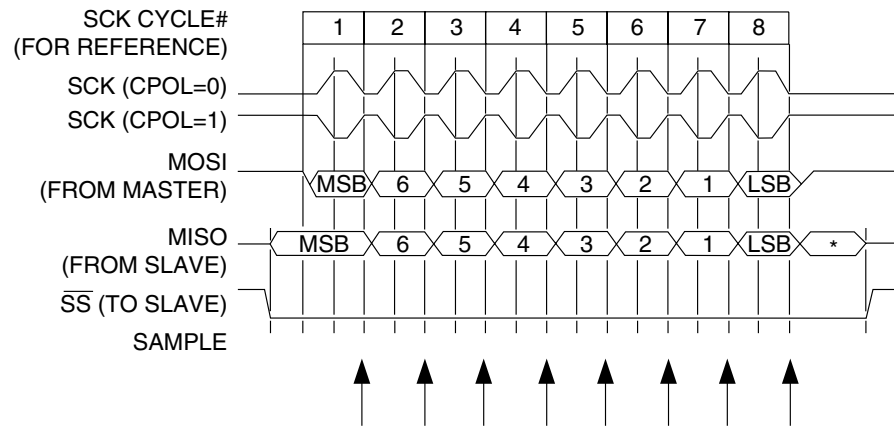
Thus, when interrupt-driven SPI transmission is used in Master Mode and there exists a possibility that SS is driven low, the interrupt should always check that the MSTR bit is still set. Once the MSTR bit has been cleared by a slave select, it must be set by the user to re-enable the SPI Master Mode.

When the SPI is configured as a slave, the SS pin is always input. When SS is held low, the SPI is activated and MISO becomes an output if configured so by the user. All other pins are inputs. When SS is driven high, all pins are inputs and the SPI is passive, which means that it will not receive incoming data. Note that the SPI logic will be reset once the SS pin is brought high. If the SS pin is brought high during a transmission, the SPI will stop sending and receiving immediately and both data received and data sent must be considered as lost.

## Data Modes

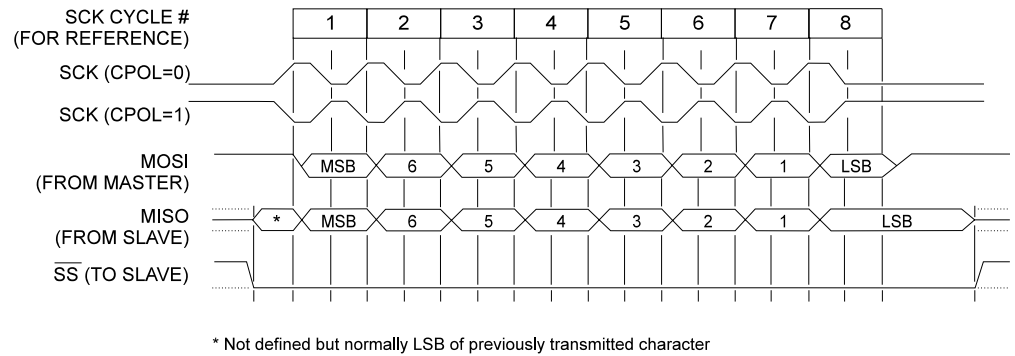
There are four combinations of SCK phase and polarity with respect to serial data, which are determined by control bits CPHA and CPOL. The SPI data transfer formats are shown in Figure 39 and Figure 40.

**Figure 39.** SPI Transfer Format with CPHA = 0 and DORD = 0



\*Not defined but normally MSB of character just received.

**Figure 40. SPI Transfer Format with CPHA = 1 and DORD = 0**



**SPI Control Register – SPCR**

|               |             |     |     |     |     |     |     |     |  |
|---------------|-------------|-----|-----|-----|-----|-----|-----|-----|--|
| Bit           | 7           | 6   | 5   | 4   | 3   | 2   | 1   | 0   |  |
| \$0D (\$2D)   | <b>SPCR</b> |     |     |     |     |     |     |     |  |
| Read/Write    | R/W         | R/W | R/W | R/W | R/W | R/W | R/W | R/W |  |
| Initial Value | 0           | 0   | 0   | 0   | 0   | 0   | 0   | 0   |  |

• **Bit 7 – SPIE: SPI Interrupt Enable**

This bit causes the SPI interrupt to be executed if SPIF bit in the SPSR register is set and the global interrupts are enabled.

• **Bit 6 – SPE: SPI Enable**

When the SPE bit is set (one), the SPI is enabled. This bit must be set to enable any SPI operations.

• **Bit 5 – DORD: Data Order**

When the DORD bit is set (one), the LSB of the data word is transmitted first.

When the DORD bit is cleared (zero), the MSB of the data word is transmitted first.

• **Bit 4 – MSTR: Master/Slave Select**

This bit selects Master SPI Mode when set (one) and Slave SPI Mode when cleared (zero). If  $\overline{SS}$  is configured as an input and is driven low while MSTR is set, MSTR will be cleared and SPIF in SPSR will become set. The user will then have to set MSTR to re-enable SPI Master Mode.

• **Bit 3 – CPOL: Clock Polarity**

When this bit is set (one), SCK is high when idle. When CPOL is cleared (zero), SCK is low when idle. Refer to Figure 39. and Figure 40. for additional information.

• **Bit 2 – CPHA: Clock Phase**

Refer to Figure 40 or Figure 41 for the functionality of this bit.

- **Bits 1,0 – SPR1, SPR0: SPI Clock Rate Select 1 and 0**

These two bits control the SCK rate of the device configured as a master. SPR1 and SPR0 have no effect on the slave. The relationship between SCK and the oscillator clock frequency  $f_{cl}$  is shown in Table 23.

**Table 23.** Relationship between SCK and the Oscillator Frequency

| SPR1 | SPR0 | SCK Frequency |
|------|------|---------------|
| 0    | 0    | $f_{cl}/4$    |
| 0    | 1    | $f_{cl}/16$   |
| 1    | 0    | $f_{cl}/64$   |
| 1    | 1    | $f_{cl}/128$  |

### SPI Status Register – SPSR

| Bit           | 7           | 6           | 5 | 4 | 3 | 2 | 1 | 0 |             |
|---------------|-------------|-------------|---|---|---|---|---|---|-------------|
| \$0E (\$2E)   | <b>SPIF</b> | <b>WCOL</b> | – | – | – | – | – | – | <b>SPSR</b> |
| Read/Write    | R           | R           | R | R | R | R | R | R |             |
| Initial Value | 0           | 0           | 0 | 0 | 0 | 0 | 0 | 0 |             |

- **Bit 7 – SPIF: SPI Interrupt Flag**

When a serial transfer is complete, the SPIF bit is set (one) and an interrupt is generated if SPIE in SPCR is set (one) and global interrupts are enabled. If  $\overline{SS}$  is an input and is driven low when the SPI is in Master Mode, this will also set the SPIF flag. SPIF is cleared by hardware when executing the corresponding interrupt handling vector. Alternatively, the SPIF bit is cleared by first reading the SPI Status Register with SPIF set (one), then accessing the SPI Data Register (SPDR).

- **Bit 6 – WCOL: Write Collision flag**

The WCOL bit is set if the SPI Data Register (SPDR) is written during a data transfer. The WCOL bit (and the SPIF bit) are cleared (zero) by first reading the SPI Status Register with WCOL set (one) and then accessing the SPI Data Register.

- **Bit 5..0 – Res: Reserved Bits**

These bits are reserved bits in the AT90S8535 and will always read as zero.

The SPI interface on the AT90S8535 is also used for program memory and EEPROM downloading or uploading. See page 99 for serial programming and verification.

### SPI Data Register – SPDR

| Bit           | 7          | 6   | 5   | 4   | 3   | 2   | 1   | 0          |             |
|---------------|------------|-----|-----|-----|-----|-----|-----|------------|-------------|
| \$0F (\$2F)   | <b>MSB</b> |     |     |     |     |     |     | <b>LSB</b> | <b>SPDR</b> |
| Read/Write    | R/W        | R/W | R/W | R/W | R/W | R/W | R/W | R/W        |             |
| Initial Value | X          | X   | X   | X   | X   | X   | X   | X          | Undefined   |

The SPI Data Register is a read/write register used for data transfer between the register file and the SPI Shift Register. Writing to the register initiates data transmission. Reading the register causes the Shift Register Receive buffer to be read.

## UART

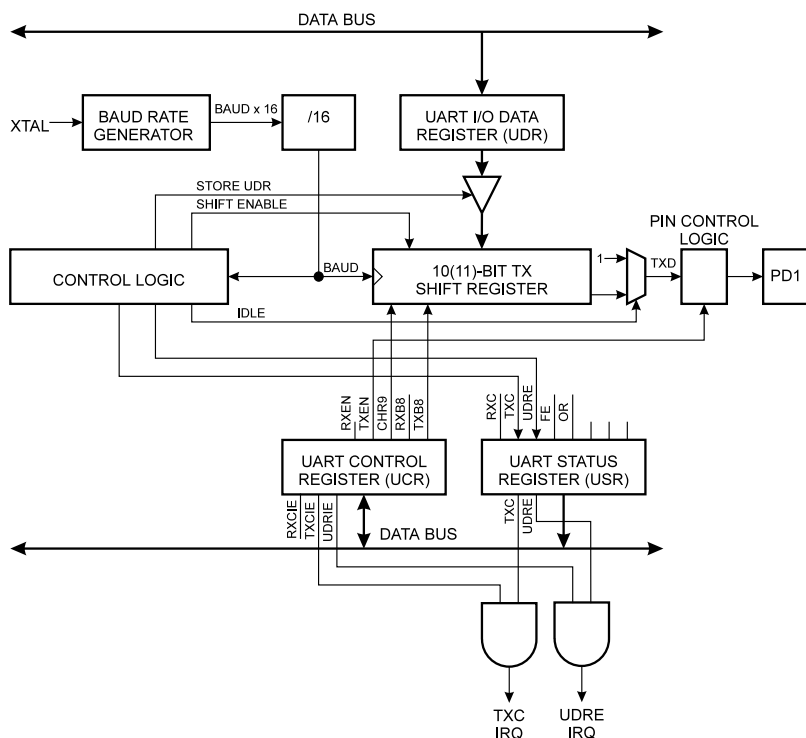
The AT90S8535 features a full duplex (separate receive and transmit registers) Universal Asynchronous Receiver and Transmitter (UART). The main features are:

- **Baud Rate Generator that can Generate a Large Number of Baud Rates (bps)**
- **High Baud Rates at Low XTAL Frequencies**
- **8 or 9 Bits Data**
- **Noise Filtering**
- **Overrun Detection**
- **Framing Error Detection**
- **False Start Bit Detection**
- **Three Separate Interrupts on TX Complete, TX Data Register Empty and RX Complete**
- **Buffered Transmit and Receive**

## Data Transmission

A block schematic of the UART transmitter is shown in Figure 41.

Figure 41. UART Transmitter



Data transmission is initiated by writing the data to be transmitted to the UART I/O Data Register, UDR. Data is transferred from UDR to the Transmit shift register when:

- A new character is written to UDR after the stop bit from the previous character has been shifted out. The shift register is loaded immediately.
- A new character is written to UDR before the stop bit from the previous character has been shifted out. The shift register is loaded when the stop bit of the character currently being transmitted is shifted out.

If the 10(11)-bit Transmitter shift register is empty, data is transferred from UDR to the shift register. The UDRE (UART Data Register Empty) bit in the UART Status Register, USR, is set. When this bit is set (one), the UART is ready to receive the next character. At the same time as the data is transferred from UDR to the 10(11)-bit shift register, bit 0 of the shift register is cleared (start bit) and bit 9 or 10 is set (stop bit). If 9-bit data word

is selected (the CHR9 bit in the UART Control Register, UCR is set), the TXB8 bit in UCR is transferred to bit 9 in the Transmit shift register.

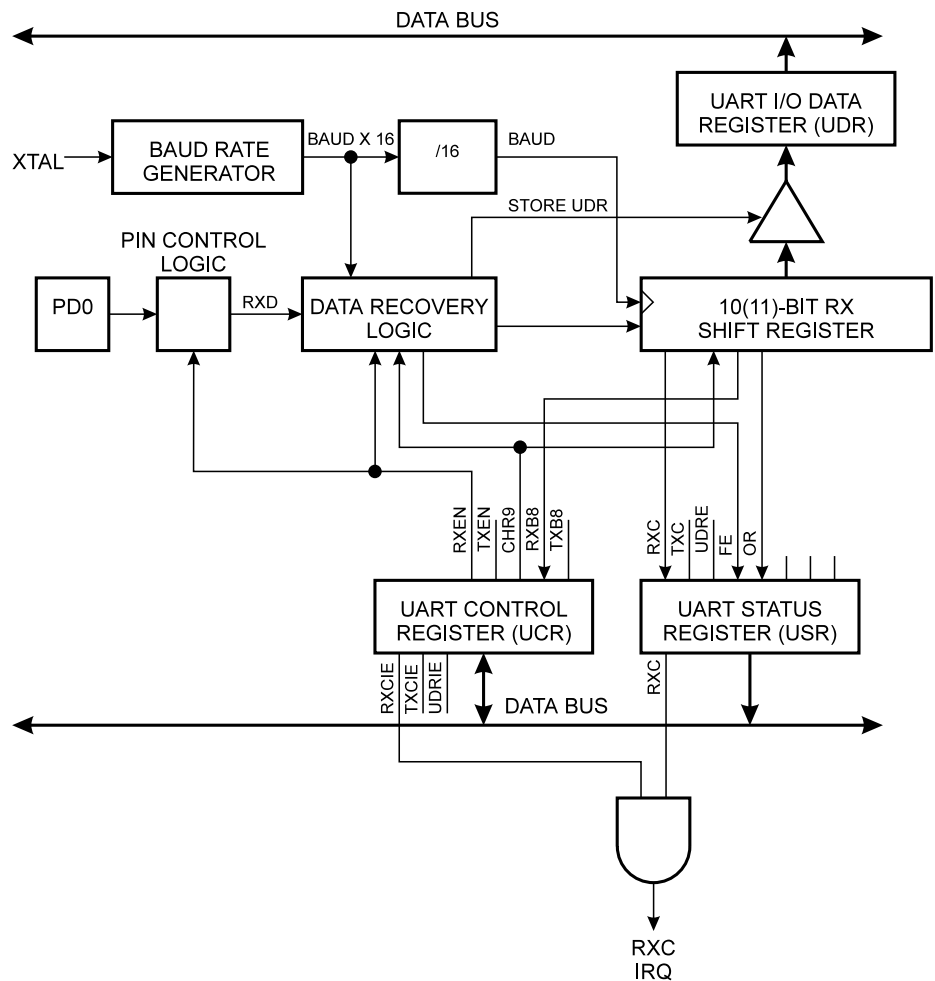
On the baud rate clock following the transfer operation to the shift register, the start bit is shifted out on the TXD pin. Then follows the data, LSB first. When the stop bit has been shifted out, the shift register is loaded if any new data has been written to the UDR during the transmission. During loading, UDRE is set. If there is no new data in the UDR register to send when the stop bit is shifted out, the UDRE flag will remain set until UDR is written again. When no new data has been written and the stop bit has been present on TXD for one bit length, the TX Complete flag (TXC) in USR is set.

The TXEN bit in UCR enables the UART Transmitter when set (one). When this bit is cleared (zero), the PD1 pin can be used for general I/O. When TXEN is set, the UART Transmitter will be connected to PD1, which is forced to be an output pin regardless of the setting of the DDD1 bit in DDRD.

## Data Reception

Figure 42 shows a block diagram of the UART Receiver.

**Figure 42.** UART Receiver

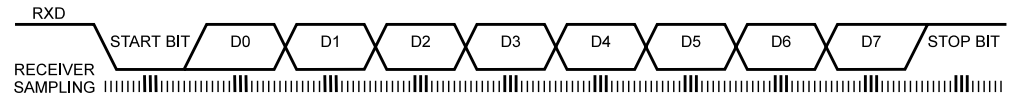


The receiver front-end logic samples the signal on the RXD pin at a frequency 16 times the baud rate. While the line is idle, one single sample of logical "0" will be interpreted as the falling edge of a start bit and the start bit detection sequence is initiated. Let sample

1 denote the first zero-sample. Following the 1-to-0 transition, the receiver samples the RXD pin at samples 8, 9 and 10. If two or more of these three samples are found to be logical “1”s, the start bit is rejected as a noise spike and the receiver starts looking for the next 1-to-0 transition.

If however, a valid start bit is detected, sampling of the data bits following the start bit is performed. These bits are also sampled at samples 8, 9 and 10. The logical value found in at least two of the three samples is taken as the bit value. All bits are shifted into the Transmitter Shift register as they are sampled. Sampling of an incoming character is shown in Figure 43.

**Figure 43.** Sampling Received Data



When the stop bit enters the receiver, the majority of the three samples must be one to accept the stop bit. If two or more samples are logical “0”s, the Framing Error (FE) flag in the UART Status Register (USR) is set. Before reading the UDR register, the user should always check the FE bit to detect framing errors.

Whether or not a valid stop bit is detected at the end of a character reception cycle, the data is transferred to UDR and the RXC flag in USR is set. UDR is in fact two physically separate registers, one for transmitted data and one for received data. When UDR is read, the Receive Data register is accessed and when UDR is written, the Transmit Data register is accessed. If 9-bit data word is selected (the CHR9 bit in the UART Control Register, UCR is set), the RXB8 bit in UCR is loaded with bit 9 in the Transmit Shift register when data is transferred to UDR.

If, after having received a character, the UDR register has not been read since the last receive, the OverRun (OR) flag in UCR is set. This means that the last data byte shifted into the shift register could not be transferred to UDR and has been lost. The OR bit is buffered and is updated when the valid data byte in UDR is read. Thus, the user should always check the OR bit after reading the UDR register in order to detect any overruns if the baud rate is high or CPU load is high.

When the RXEN bit in the UCR register is cleared (zero), the receiver is disabled. This means that the PD0 pin can be used as a general I/O pin. When RXEN is set, the UART Receiver will be connected to PD0, which is forced to be an input pin regardless of the setting of the DDD0 bit in DDRD. When PD0 is forced to input by the UART, the PORTD0 bit can still be used to control the pull-up resistor on the pin.

When the CHR9 bit in the UCR register is set, transmitted and received characters are 9 bits long, plus start and stop bits. The ninth data bit to be transmitted is the TXB8 bit in UCR register. This bit must be set to the wanted value before a transmission is initiated by writing to the UDR register. The ninth data bit received is the RXB8 bit in the UCR register.

## UART Control

### UART I/O Data Register – UDR

|               |            |     |     |     |     |     |     |            |            |
|---------------|------------|-----|-----|-----|-----|-----|-----|------------|------------|
| Bit           | 7          | 6   | 5   | 4   | 3   | 2   | 1   | 0          |            |
| \$0C (\$2C)   | <b>MSB</b> |     |     |     |     |     |     | <b>LSB</b> | <b>UDR</b> |
| Read/Write    | R/W        | R/W | R/W | R/W | R/W | R/W | R/W | R/W        |            |
| Initial Value | 0          | 0   | 0   | 0   | 0   | 0   | 0   | 0          |            |

The UDR register is actually two physically separate registers sharing the same I/O address. When writing to the register, the UART Transmit Data register is written. When reading from UDR, the UART Receive Data register is read.

### UART Status Register – USR

|               |            |            |             |           |           |   |   |   |            |
|---------------|------------|------------|-------------|-----------|-----------|---|---|---|------------|
| Bit           | 7          | 6          | 5           | 4         | 3         | 2 | 1 | 0 |            |
| \$0B (\$2B)   | <b>RXC</b> | <b>TXC</b> | <b>UDRE</b> | <b>FE</b> | <b>OR</b> | – | – | – | <b>USR</b> |
| Read/Write    | R          | R/W        | R           | R         | R         | R | R | R |            |
| Initial Value | 0          | 0          | 1           | 0         | 0         | 0 | 0 | 0 |            |

The USR register is a read-only register providing information on the UART status.

- **Bit 7 – RXC: UART Receive Complete**

This bit is set (one) when a received character is transferred from the Receiver Shift register to UDR. The bit is set regardless of any detected framing errors. When the RXCIE bit in UCR is set, the UART Receive Complete interrupt will be executed when RXC is set (one). RXC is cleared by reading UDR. When interrupt-driven data reception is used, the UART Receive Complete Interrupt routine must read UDR in order to clear RXC, otherwise a new interrupt will occur once the interrupt routine terminates.

- **Bit 6 – TXC: UART Transmit Complete**

This bit is set (one) when the entire character (including the stop bit) in the Transmit Shift register has been shifted out and no new data has been written to UDR. This flag is especially useful in half-duplex communications interfaces, where a transmitting application must enter receive mode and free the communications bus immediately after completing the transmission.

When the TXCIE bit in UCR is set, setting of TXC causes the UART Transmit Complete interrupt to be executed. TXC is cleared by hardware when executing the corresponding interrupt handling vector. Alternatively, the TXC bit is cleared (zero) by writing a logical “1” to the bit.

- **Bit 5 – UDRE: UART Data Register Empty**

This bit is set (one) when a character written to UDR is transferred to the Transmit Shift register. Setting of this bit indicates that the transmitter is ready to receive a new character for transmission.

When the UDRIE bit in UCR is set, the UART Transmit Complete interrupt to be executed as long as UDRE is set. UDRE is cleared by writing UDR. When interrupt-driven data transmission is used, the UART Data Register Empty Interrupt routine must write UDR in order to clear UDRE, otherwise a new interrupt will occur once the interrupt routine terminates.

UDRE is set (one) during reset to indicate that the transmitter is ready.

- **Bit 4 – FE: Framing Error**

This bit is set if a Framing Error condition is detected, i.e., when the stop bit of an incoming character is zero.

The FE bit is cleared when the stop bit of received data is one.

- **Bit 3 – OR: OverRun**

This bit is set if an Overrun condition is detected, i.e., when a character already present in the UDR register is not read before the next character has been shifted into the Receiver Shift register. The OR bit is buffered, which means that it will be set once the valid data still in UDR is read.

The OR bit is cleared (zero) when data is received and transferred to UDR.

- **Bits 2..0 – Res: Reserved Bits**

These bits are reserved bits in the AT90S8535 and will always read as zero.

## UART Control Register – UCR

| Bit           | 7            | 6            | 5            | 4           | 3           | 2           | 1           | 0           |            |
|---------------|--------------|--------------|--------------|-------------|-------------|-------------|-------------|-------------|------------|
| \$0A (\$2A)   | <b>RXCIE</b> | <b>TXCIE</b> | <b>UDRIE</b> | <b>RXEN</b> | <b>TXEN</b> | <b>CHR9</b> | <b>RXB8</b> | <b>TXB8</b> | <b>UCR</b> |
| Read/Write    | R/W          | R/W          | R/W          | R/W         | R/W         | R/W         | R           | W           |            |
| Initial Value | 0            | 0            | 0            | 0           | 0           | 0           | 1           | 0           |            |

- **Bit 7 – RXCIE: RX Complete Interrupt Enable**

When this bit is set (one), a setting of the RXC bit in USR will cause the Receive Complete Interrupt routine to be executed provided that global interrupts are enabled.

- **Bit 6 – TXCIE: TX Complete Interrupt Enable**

When this bit is set (one), a setting of the TXC bit in USR will cause the Transmit Complete Interrupt routine to be executed provided that global interrupts are enabled.

- **Bit 5 – UDRIE: UART Data Register Empty Interrupt Enable**

When this bit is set (one), a setting of the UDRE bit in USR will cause the UART Data Register Empty Interrupt routine to be executed provided that global interrupts are enabled.

- **Bit 4 – RXEN: Receiver Enable**

This bit enables the UART receiver when set (one). When the receiver is disabled, the RXC, OR and FE status flags cannot become set. If these flags are set, turning off RXEN does not cause them to be cleared.

- **Bit 3 – TXEN: Transmitter Enable**

This bit enables the UART transmitter when set (one). When disabling the transmitter while transmitting a character, the transmitter is not disabled before the character in the shift register plus any following character in UDR has been completely transmitted.

- **Bit 2 – CHR9: 9 Bit Characters**

When this bit is set (one), transmitted and received characters are 9 bits long, plus start and stop bits. The ninth bit is read and written by using the RXB8 and TXB8 bits in UCR, respectively. The ninth data bit can be used as an extra stop bit or a parity bit.

- **Bit 1 – RXB8: Receive Data Bit 8**

When CHR9 is set (one), RXB8 is the ninth data bit of the received character.

- **Bit 0 – TXB8: Transmit Data Bit 8**

When CHR9 is set (one), TXB8 is the ninth data bit in the character to be transmitted.



## Baud Rate Generator

The baud rate generator is a frequency divider which generates baud rates according to the following equation:

$$\text{BAUD} = \frac{f_{\text{CK}}}{16(\text{UBRR} + 1)}$$

- BAUD = Baud rate
- $f_{\text{CK}}$  = Crystal clock frequency
- UBRR = Contents of the UART Baud Rate register, UBRR (0 - 255)

For standard crystal frequencies, the most commonly used baud rates can be generated by using the UBRR settings in Table 24. UBRR values that yield an actual baud rate differing less than 2% from the target baud rate are boldface in the table. However, using baud rates that have more than 1% error is not recommended. High error ratings give less noise resistance.

**Table 24.** UBRR Settings at Various Crystal Frequencies (Examples)

| Baud Rate | 1 MHz    | %Error | 1.8432 MHz | %Error | 2 MHz    | %Error | 2.4576 MHz | %Error |
|-----------|----------|--------|------------|--------|----------|--------|------------|--------|
| 2400      | UBRR= 25 | 0.2    | UBRR= 47   | 0.0    | UBRR= 51 | 0.2    | UBRR= 63   | 0.0    |
| 4800      | UBRR= 12 | 0.2    | UBRR= 23   | 0.0    | UBRR= 25 | 0.2    | UBRR= 31   | 0.0    |
| 9600      | UBRR= 6  | 7.5    | UBRR= 11   | 0.0    | UBRR= 12 | 0.2    | UBRR= 15   | 0.0    |
| 14400     | UBRR= 3  | 7.8    | UBRR= 7    | 0.0    | UBRR= 8  | 3.7    | UBRR= 10   | 3.1    |
| 19200     | UBRR= 2  | 7.8    | UBRR= 5    | 0.0    | UBRR= 6  | 7.5    | UBRR= 7    | 0.0    |
| 28800     | UBRR= 1  | 7.8    | UBRR= 3    | 0.0    | UBRR= 3  | 7.8    | UBRR= 4    | 6.3    |
| 38400     | UBRR= 1  | 22.9   | UBRR= 2    | 0.0    | UBRR= 2  | 7.8    | UBRR= 3    | 0.0    |
| 57600     | UBRR= 0  | 7.8    | UBRR= 1    | 0.0    | UBRR= 1  | 7.8    | UBRR= 2    | 12.5   |
| 76800     | UBRR= 0  | 22.9   | UBRR= 1    | 33.3   | UBRR= 1  | 22.9   | UBRR= 1    | 0.0    |
| 115200    | UBRR= 0  | 84.3   | UBRR= 0    | 0.0    | UBRR= 0  | 7.8    | UBRR= 0    | 25.0   |

| Baud Rate | 3.2768 MHz | %Error | 3.6864 MHz | %Error | 4 MHz     | %Error | 4.608 MHz | %Error |
|-----------|------------|--------|------------|--------|-----------|--------|-----------|--------|
| 2400      | UBRR= 84   | 0.4    | UBRR= 95   | 0.0    | UBRR= 103 | 0.2    | UBRR= 119 | 0.0    |
| 4800      | UBRR= 42   | 0.8    | UBRR= 47   | 0.0    | UBRR= 51  | 0.2    | UBRR= 59  | 0.0    |
| 9600      | UBRR= 20   | 1.6    | UBRR= 23   | 0.0    | UBRR= 25  | 0.2    | UBRR= 29  | 0.0    |
| 14400     | UBRR= 13   | 1.6    | UBRR= 15   | 0.0    | UBRR= 16  | 2.1    | UBRR= 19  | 0.0    |
| 19200     | UBRR= 10   | 3.1    | UBRR= 11   | 0.0    | UBRR= 12  | 0.2    | UBRR= 14  | 0.0    |
| 28800     | UBRR= 6    | 1.6    | UBRR= 7    | 0.0    | UBRR= 8   | 3.7    | UBRR= 9   | 0.0    |
| 38400     | UBRR= 4    | 6.3    | UBRR= 5    | 0.0    | UBRR= 6   | 7.5    | UBRR= 7   | 6.7    |
| 57600     | UBRR= 3    | 12.5   | UBRR= 3    | 0.0    | UBRR= 3   | 7.8    | UBRR= 4   | 0.0    |
| 76800     | UBRR= 2    | 12.5   | UBRR= 2    | 0.0    | UBRR= 2   | 7.8    | UBRR= 3   | 6.7    |
| 115200    | UBRR= 1    | 12.5   | UBRR= 1    | 0.0    | UBRR= 1   | 7.8    | UBRR= 2   | 20.0   |

| Baud Rate | 7.3728 MHz | %Error | 8 MHz     | %Error | 9.216 MHz | %Error | 11.059 MHz | %Error |
|-----------|------------|--------|-----------|--------|-----------|--------|------------|--------|
| 2400      | UBRR= 191  | 0.0    | UBRR= 207 | 0.2    | UBRR= 239 | 0.0    | UBRR= 287  | -      |
| 4800      | UBRR= 95   | 0.0    | UBRR= 103 | 0.2    | UBRR= 119 | 0.0    | UBRR= 143  | 0.0    |
| 9600      | UBRR= 47   | 0.0    | UBRR= 51  | 0.2    | UBRR= 59  | 0.0    | UBRR= 71   | 0.0    |
| 14400     | UBRR= 31   | 0.0    | UBRR= 34  | 0.8    | UBRR= 39  | 0.0    | UBRR= 47   | 0.0    |
| 19200     | UBRR= 23   | 0.0    | UBRR= 25  | 0.2    | UBRR= 29  | 0.0    | UBRR= 35   | 0.0    |
| 28800     | UBRR= 15   | 0.0    | UBRR= 16  | 2.1    | UBRR= 19  | 0.0    | UBRR= 23   | 0.0    |
| 38400     | UBRR= 11   | 0.0    | UBRR= 12  | 0.2    | UBRR= 14  | 0.0    | UBRR= 17   | 0.0    |
| 57600     | UBRR= 7    | 0.0    | UBRR= 8   | 3.7    | UBRR= 9   | 0.0    | UBRR= 11   | 0.0    |
| 76800     | UBRR= 5    | 0.0    | UBRR= 6   | 7.5    | UBRR= 7   | 6.7    | UBRR= 8    | 0.0    |
| 115200    | UBRR= 3    | 0.0    | UBRR= 3   | 7.8    | UBRR= 4   | 0.0    | UBRR= 5    | 0.0    |

Note: Maximum baud rate to each frequency.

**UART Baud Rate Register –  
UBRR**

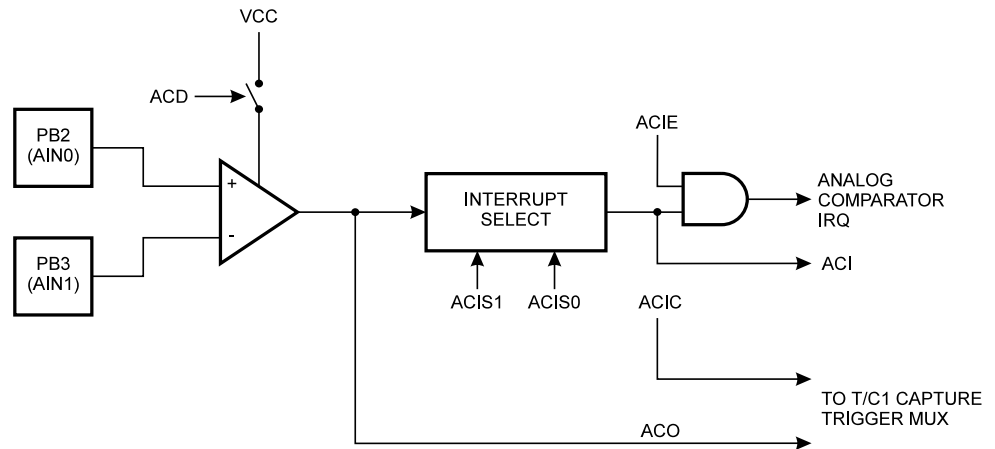
|               |            |     |     |     |     |     |     |            |             |
|---------------|------------|-----|-----|-----|-----|-----|-----|------------|-------------|
| Bit           | 7          | 6   | 5   | 4   | 3   | 2   | 1   | 0          |             |
| \$09 (\$29)   | <b>MSB</b> |     |     |     |     |     |     | <b>LSB</b> | <b>UBRR</b> |
| Read/Write    | R/W        | R/W | R/W | R/W | R/W | R/W | R/W | R/W        |             |
| Initial Value | 0          | 0   | 0   | 0   | 0   | 0   | 0   | 0          |             |

The UBRR register is an 8-bit read/write register that specifies the UART Baud Rate according to the equation on the previous page.

## Analog Comparator

The Analog Comparator compares the input values on the positive input PB2 (AIN0) and negative input PB3 (AIN1). When the voltage on the positive input PB2 (AIN0) is higher than the voltage on the negative input PB3 (AIN1), the Analog Comparator Output (ACO) is set (one). The comparator's output can be set to trigger the Timer/Counter1 Input Capture function. In addition, the comparator can trigger a separate interrupt, exclusive to the Analog Comparator. The user can select Interrupt triggering on comparator output rise, fall or toggle. A block diagram of the comparator and its surrounding logic is shown in Figure 44.

**Figure 44.** Analog Comparator Block Diagram



### Analog Comparator Control and Status Register – ACSR

| Bit           | 7   | 6 | 5   | 4   | 3    | 2    | 1     | 0     |      |
|---------------|-----|---|-----|-----|------|------|-------|-------|------|
| \$08 (\$28)   | ACD | – | ACO | ACI | ACIE | ACIC | ACIS1 | ACIS0 | ACSR |
| Read/Write    | R/W | R | R   | R/W | R/W  | R/W  | R/W   | R/W   |      |
| Initial Value | 0   | 0 | N/A | 0   | 0    | 0    | 0     | 0     |      |

- **Bit 7 – ACD: Analog Comparator Disable**

When this bit is set (one), the power to the Analog Comparator is switched off. This bit can be set at any time to turn off the Analog Comparator. When changing the ACD bit, the Analog Comparator interrupt must be disabled by clearing the ACIE bit in ACSR. Otherwise an interrupt can occur when the bit is changed.

- **Bit 6 – Res: Reserved Bit**

This bit is a reserved bit in the AT90S8535 and will always read as zero.

- **Bit 5 – ACO: Analog Comparator Output**

ACO is directly connected to the comparator output.

- **Bit 4 – ACI: Analog Comparator Interrupt Flag**

This bit is set (one) when a comparator output event triggers the interrupt mode defined by ACI1 and ACI0. The Analog Comparator Interrupt routine is executed if the ACIE bit is set (one) and the I-bit in SREG is set (one). ACI is cleared by hardware when executing the corresponding interrupt handling vector. Alternatively, ACI is cleared by writing a logical “1” to the flag.

- **Bit 3 – ACIE: Analog Comparator Interrupt Enable**

When the ACIE bit is set (one) and the I-bit in the Status Register is set (one), the Analog Comparator interrupt is activated. When cleared (zero), the interrupt is disabled.

• **Bit 2 – ACIC: Analog Comparator Input Capture Enable**

When set (one), this bit enables the Input Capture function in Timer/Counter1 to be triggered by the Analog Comparator. The comparator output is in this case directly connected to the Input Capture front-end logic, making the comparator utilize the noise canceler and edge select features of the Timer/Counter1 Input Capture interrupt. When cleared (zero), no connection between the Analog Comparator and the Input Capture function is given. To make the comparator trigger the Timer/Counter1 Input Capture interrupt, the TICIE1 bit in the Timer Interrupt Mask Register (TIMSK) must be set (one).

• **Bits 1,0 – ACIS1, ACIS0: Analog Comparator Interrupt Mode Select**

These bits determine which comparator events trigger the Analog Comparator interrupt. The different settings are shown in Table 25.

**Table 25.** ACIS1/ACIS0 Settings

| ACIS1 | ACIS0 | Interrupt Mode                              |
|-------|-------|---|
| 0     | 0     | Comparator Interrupt on Output Toggle       |
| 0     | 1     | Reserved                                    |
| 1     | 0     | Comparator Interrupt on Falling Output Edge |
| 1     | 1     | Comparator Interrupt on Rising Output Edge  |

Note: When changing the ACIS1/ACIS0 bits, the Analog Comparator interrupt must be disabled by clearing its interrupt enable bit in the ACSR register. Otherwise an interrupt can occur when the bits are changed.

**Caution:** Using the SBI or CBI instruction on bits other than ACI in this register will write a “1” back into ACI if it is read as set, thus clearing the flag.

# Analog-to-Digital Converter

## Feature list

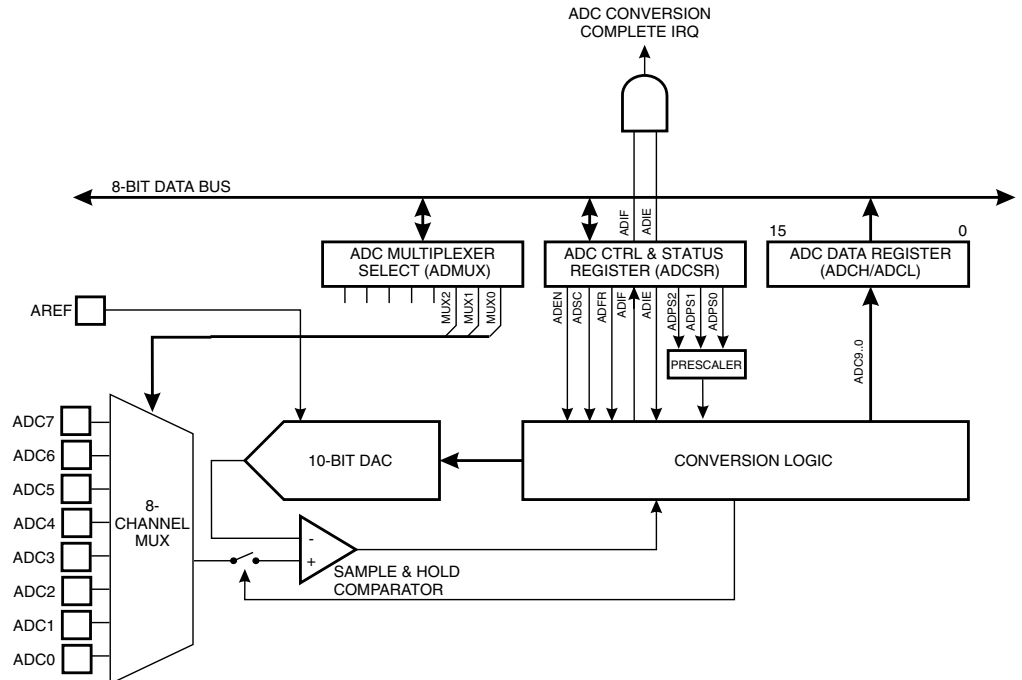
- 10-bit Resolution
- 0.5 LSB Integral Non-linearity
- $\pm 2$  LSB Absolute Accuracy
- 65 - 260  $\mu$ s Conversion Time
- Up to 15 kSPS at Maximum Resolution
- 8 Multiplexed Input Channels
- Rail-to-Rail Input Range
- Free Running or Single Conversion Mode
- Interrupt on ADC Conversion Complete
- Sleep Mode Noise Canceler

The AT90S8535 features a 10-bit successive approximation ADC. The ADC is connected to an 8-channel Analog Multiplexer that allows each pin of Port A to be used as an input for the ADC. The ADC contains a Sample and Hold Amplifier that ensures that the input voltage to the ADC is held at a constant level during conversion. A block diagram of the ADC is shown in Figure 45.

The ADC has two separate analog supply voltage pins, AV<sub>CC</sub> and AGND. AGND must be connected to GND and the voltage on AV<sub>CC</sub> must not differ more than  $\pm 0.3V$  from V<sub>CC</sub>. See "ADC Noise Canceling Techniques" on page 74 on how to connect these pins.

An external reference voltage must be applied to the AREF pin. This voltage must be in the range 2V - AV<sub>CC</sub>.

**Figure 45.** Analog-to-Digital Converter Block Schematic



**Operation**

The ADC converts an analog input voltage to a 10-bit digital value through successive approximation. The minimum value represents AGND and the maximum value represents the voltage on the AREF pin minus one LSB. The analog input channel is selected by writing to the MUX bits in ADMUX. Any of the eight ADC input pins ADC7..0 can be selected as single-ended inputs to the ADC.

The ADC can operate in two modes – Single Conversion and Free Running. In Single Conversion Mode, each conversion will have to be initiated by the user. In Free Running Mode, the ADC is constantly sampling and updating the ADC Data Register. The ADFR bit in ADCSR selects between the two available modes.

The ADC is enabled by setting the ADC Enable bit, ADEN in ADCSR. Input channel selections will not go into effect until ADEN is set. The ADC does not consume power when ADEN is cleared, so it is recommended to switch off the ADC before entering power-saving sleep modes.

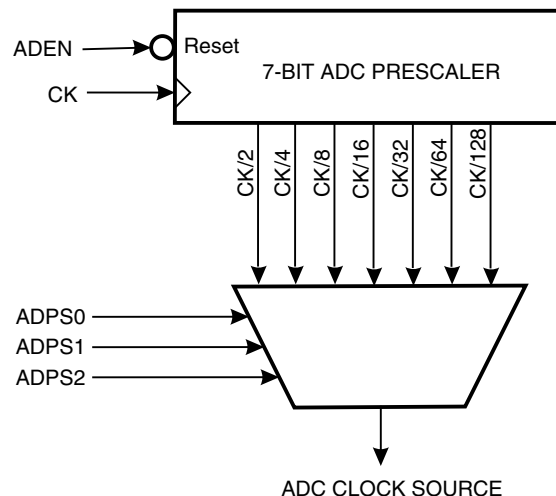
A conversion is started by writing a logical “1” to the ADC Start Conversion bit, ADSC. This bit stays high as long as the conversion is in progress and will be set to zero by hardware when the conversion is completed. If a different data channel is selected while a conversion is in progress, the ADC will finish the current conversion before performing the channel change.

The ADC generates a 10-bit result, which is presented in the ADC data register, ADCH and ADCL. When reading data, ADCL must be read first, then ADCH, to ensure that the content of the data register belongs to the same conversion. Once ADCL is read, ADC access to data register is blocked. This means that if ADCL has been read and a conversion completes before ADCH is read, neither register is updated and the result from the conversion is lost. Then ADCH is read, ADC access to the ADCH and ADCL register is re-enabled.

The ADC has its own interrupt that can be triggered when a conversion completes. When ADC access to the data registers is prohibited between reading of ADCH and ADCL, the interrupt will trigger even if the result is lost.

**Prescaling**

**Figure 46.** ADC Prescaler



The successive approximation circuitry requires an input clock frequency between 50 kHz and 200 kHz to achieve maximum resolution. If a resolution of lower than 10 bits is required, the input clock frequency to the ADC can be higher than 200 kHz to achieve a

higher sampling rate. See “ADC Characteristics” on page 75 for more details. The ADC module contains a prescaler, which divides the system clock to an acceptable ADC clock frequency.

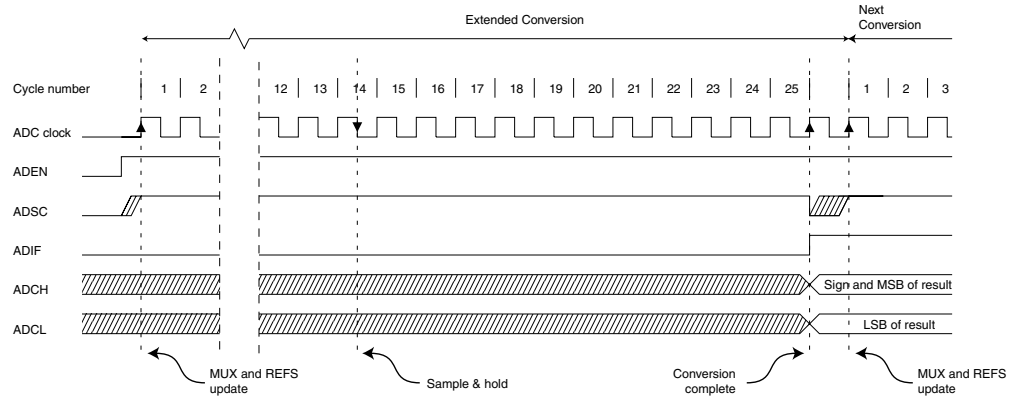
The ADPS2..0 bits in ADCSR are used to generate a proper ADC clock input frequency from any CPU frequency above 100 kHz. The prescaler starts counting from the moment the ADC is switched on by setting the ADEN bit in ADCSR. The prescaler keeps running for as long as the ADEN bit is set and is continuously reset when ADEN is low.

When initiating a conversion by setting the ADSC bit in ADCSR, the conversion starts at the following rising edge of the ADC clock cycle.

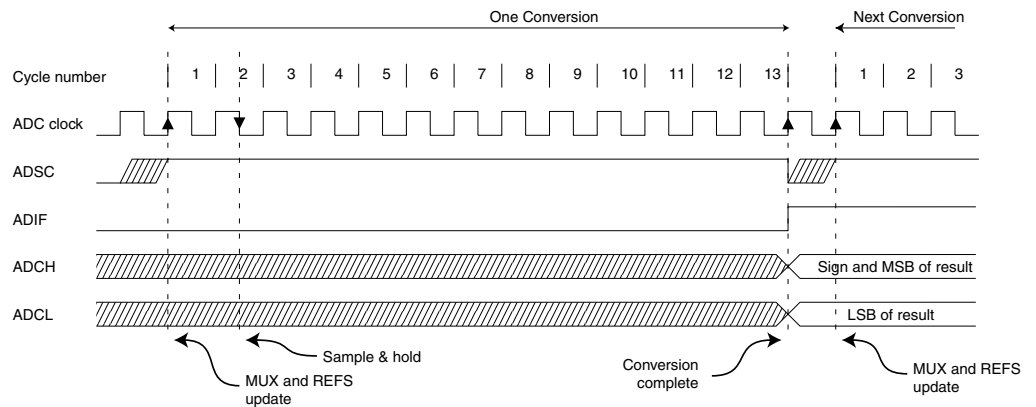
A normal conversion takes 13 ADC clock cycles. In certain situations, the ADC needs more clock cycles for initialization and to minimize offset errors. Extended conversions take 25 ADC clock cycles and occur as the first conversion after the ADC is switched on (ADEN in ADCSR is set).

The actual sample-and-hold takes place 1.5 ADC clock cycles after the start of a normal conversion and 13.5 ADC clock cycles after the start of an extended conversion. When a conversion is complete, the result is written to the ADC data registers and ADIF is set. In Single Conversion Mode, ADSC is cleared simultaneously. The software may then set ADSC again and a new conversion will be initiated on the first rising ADC clock edge. In Free Running Mode, a new conversion will be started immediately after the conversion completes, while ADSC remains high. Using Free Running Mode and an ADC clock frequency of 200 kHz gives the lowest conversion time with a maximum resolution, 65  $\mu$ s, equivalent to 15 kSPS. For a summary of conversion times, see Table 26.

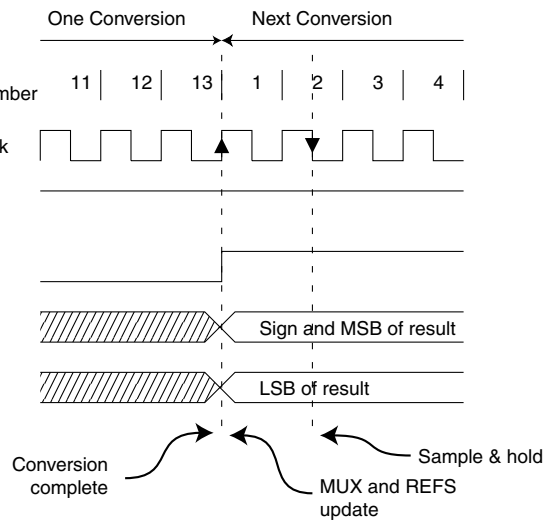
**Figure 47.** ADC Timing Diagram, Extended Conversion (Single Conversion Mode)



**Figure 48.** ADC Timing Diagram, Single Conversion



**Figure 49.** ADC Timing Diagram, Free Running Conversion



**Table 26.** ADC Conversion Time

| Condition           | Sample and Hold (Cycles from Start of Conversion) | Conversion Time (Cycles) | Conversion Time (µs) |
|---------------------|---|--------------------------|----------------------|
| Extended Conversion | 14  | 25                       | 125 - 500            |
| Normal Conversion   | 14  | 26                       | 130 - 520            |

**ADC Noise Canceler Function**

The ADC features a noise canceler that enables conversion during Idle Mode to reduce noise induced from the CPU core. To make use of this feature, the following procedure should be used:

1. Make sure that the ADC is enabled and is not busy converting. Single Conversion Mode must be selected and the ADC conversion complete interrupt must be enabled.  
 ADEN = 1  
 ADSC = 0  
 ADFR = 0  
 ADIE = 1

2. Enter Idle Mode. The ADC will start a conversion once the CPU has been halted.
3. If no other interrupts occur before the ADC conversion completes, the ADC interrupt will wake up the MCU and execute the ADC Conversion Complete Interrupt routine.

### ADC Multiplexer Select Register – ADMUX

|               |   |   |   |   |   |      |      |      |       |
|---------------|---|---|---|---|---|------|------|------|-------|
| Bit           | 7 | 6 | 5 | 4 | 3 | 2    | 1    | 0    |       |
| \$07 (\$27)   | - | - | - | - | - | MUX2 | MUX1 | MUX0 | ADMUX |
| Read/Write    | R | R | R | R | R | R/W  | R/W  | R/W  |       |
| Initial Value | 0 | 0 | 0 | 0 | 0 | 0    | 0    | 0    |       |

- **Bits 7..3 – Res: Reserved Bits**

These bits are reserved bits in the AT90S8535 and always read as zero.

- **Bits 2..0 – MUX2..MUX0: Analog Channel Select Bits 2-0**

The value of these three bits selects which analog input ADC7..0 is connected to the ADC. See Table 27 for details.

If these bits are changed during a conversion, the change will not go into effect until this conversion is complete (ADIF in ADCSR is set).

**Table 27.** Input Channel Selections

| MUX2.0 | Single-ended Input |
|--------|--------------------|
| 000    | ADC0               |
| 001    | ADC1               |
| 010    | ADC2               |
| 011    | ADC3               |
| 100    | ADC4               |
| 101    | ADC5               |
| 110    | ADC6               |
| 111    | ADC7               |

### ADC Control and Status Register – ADCSR

|               |      |      |      |      |      |       |       |       |       |
|---------------|------|------|------|------|------|-------|-------|-------|-------|
| Bit           | 7    | 6    | 5    | 4    | 3    | 2     | 1     | 0     |       |
| \$06 (\$26)   | ADEN | ADSC | ADFR | ADIF | ADIE | ADPS2 | ADPS1 | ADPS0 | ADCSR |
| Read/Write    | R/W  | R/W  | R/W  | R/W  | R/W  | R/W   | R/W   | R/W   |       |
| Initial Value | 0    | 0    | 0    | 0    | 0    | 0     | 0     | 0     |       |

- **Bit 7 – ADEN: ADC Enable**

Writing a logical “1” to this bit enables the ADC. By clearing this bit to zero, the ADC is turned off. Turning the ADC off while a conversion is in progress will terminate this conversion.

- **Bit 6 – ADSC: ADC Start Conversion**

In Single Conversion Mode, a logical “1” must be written to this bit to start each conversion. In Free Running Mode, a logical “1” must be written to this bit to start the first conversion. The first time ADSC has been written after the ADC has been enabled or if ADSC is written at the same time as the ADC is enabled, an extended conversion will precede the initiated conversion. This extended conversion performs initialization of the ADC.

ADSC will read as one as long as a conversion is in progress. When the conversion is complete, it returns to zero. When an extended conversion precedes a real conversion, ADSC will stay high until the real conversion completes. Writing a “0” to this bit has no effect.

• **Bit 5 – ADFR: ADC Free Running Select**

When this bit is set (one), the ADC operates in Free Running Mode. In this mode, the ADC samples and updates the data registers continuously. Clearing this bit (zero) will terminate Free Running Mode.

• **Bit 4 – ADIF: ADC Interrupt Flag**

This bit is set (one) when an ADC conversion completes and the data registers are updated. The ADC Conversion Complete interrupt is executed if the ADIE bit and the I-bit in SREG are set (one). ADIF is cleared by hardware when executing the corresponding interrupt handling vector. Alternatively, ADIF is cleared by writing a logical “1” to the flag. Beware that if doing a read-modify-write on ADCSR, a pending interrupt can be disabled. This also applies if the SBI and CBI instructions are used.

• **Bit 3 – ADIE: ADC Interrupt Enable**

When this bit is set (one) and the I-bit in SREG is set (one), the ADC Conversion Complete interrupt is activated.

• **Bits 2..0 – ADPS2..ADPS0: ADC Prescaler Select Bits**

These bits determine the division factor between the XTAL frequency and the input clock to the ADC.

**Table 28.** ADC Prescaler Selections

| ADPS2 | ADPS1 | ADPS0 | Division Factor |
|-------|-------|-------|-----------------|
| 0     | 0     | 0     | 2               |
| 0     | 0     | 1     | 2               |
| 0     | 1     | 0     | 4               |
| 0     | 1     | 1     | 8               |
| 1     | 0     | 0     | 16              |
| 1     | 0     | 1     | 32              |
| 1     | 1     | 0     | 64              |
| 1     | 1     | 1     | 128             |

**ADC Data Register – ADCL AND ADCH**

|               |      |      |      |      |      |      |      |      |      |
|---------------|------|------|------|------|------|------|------|------|------|
| Bit           | 15   | 14   | 13   | 12   | 11   | 10   | 9    | 8    |      |
| \$05 (\$25)   | –    | –    | –    | –    | –    | –    | ADC9 | ADC8 | ADCH |
| \$04 (\$24)   | ADC7 | ADC6 | ADC5 | ADC4 | ADC3 | ADC2 | ADC1 | ADC0 | ADCL |
|               | 7    | 6    | 5    | 4    | 3    | 2    | 1    | 0    |      |
| Read/Write    | R    | R    | R    | R    | R    | R    | R    | R    |      |
|               | R    | R    | R    | R    | R    | R    | R    | R    |      |
| Initial Value | 0    | 0    | 0    | 0    | 0    | 0    | 0    | 0    |      |
|               | 0    | 0    | 0    | 0    | 0    | 0    | 0    | 0    |      |

When an ADC conversion is complete, the result is found in these two registers.

When ADCL is read, the ADC Data Register is not updated until ADCH is read. Consequently, it is essential that both registers are read and that ADCL is read before ADCH.



• **ADC9..0: ADC Conversion result**

These bits represent the result from the conversion. \$000 represents analog ground and \$3FF represents the selected reference voltage minus one LSB.

**Scanning Multiple Channels**

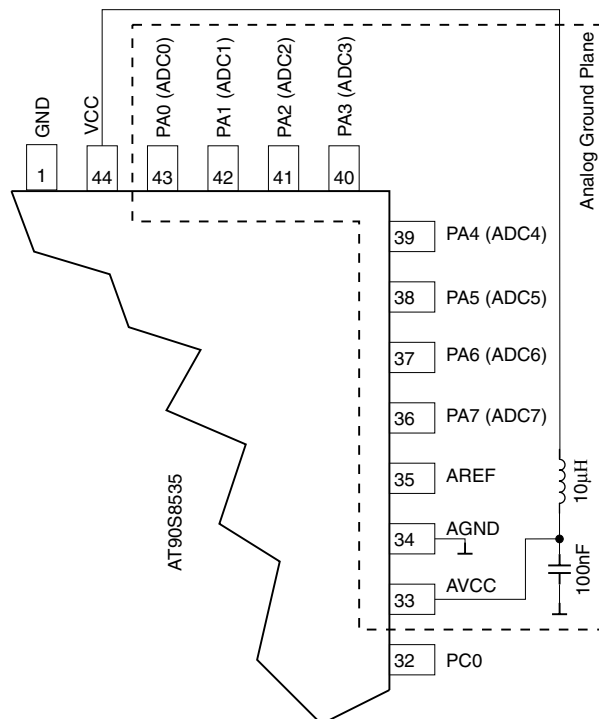
Since change of analog channel always is delayed until a conversion is finished, the Free Running Mode can be used to scan multiple channels without interrupting the converter. Typically, the ADC Conversion Complete interrupt will be used to perform the channel shift. However, the user should take the following fact into consideration: The interrupt triggers once the result is ready to be read. In Free Running Mode, the next conversion will start immediately when the interrupt triggers. If ADMUX is changed after the interrupt triggers, the next conversion has already started and the old setting is used.

**ADC Noise Canceling Techniques**

Digital circuitry inside and outside the AT90S8535 generates EMI that might affect the accuracy of analog measurements. If conversion accuracy is critical, the noise level can be reduced by applying the following techniques:

1. The analog part of the AT90S8535 and all analog components in the application should have a separate analog ground plane on the PCB. This ground plane is connected to the digital ground plane via a single point on the PCB.
2. Keep analog signal paths as short as possible. Make sure analog tracks run over the analog ground plane and keep them well away from high-speed switching digital tracks.
3. The AV<sub>CC</sub> pin on the AT90S8535 should be connected to the digital V<sub>CC</sub> supply voltage via an LC network as shown in Figure 50.
4. Use the ADC noise canceler function to reduce induced noise from the CPU.
5. If some Port A pins are used as digital outputs, it is essential that these do not switch while a conversion is in progress.

**Figure 50.** ADC Power Connections



### ADC Characteristics

T<sub>A</sub> = -40°C to 85°C

| Symbol           | Parameter                  | Condition                        | Min                                  | Typ | Max                                  | Units |
|------------------|----------------------------|----------------------------------|--------------------------------------|-----|--------------------------------------|-------|
|                  | Resolution                 |                                  |                                      | 10  |                                      | Bits  |
|                  | Absolute accuracy          | VREF = 4V<br>ADC clock = 200 kHz |                                      | 1   | 2                                    | LSB   |
|                  | Absolute accuracy          | VREF = 4V<br>ADC clock = 1 MHz   |                                      | 4   |                                      | LSB   |
|                  | Absolute accuracy          | VREF = 4V<br>ADC clock = 2 MHz   |                                      | 16  |                                      | LSB   |
|                  | Integral Non-linearity     | V <sub>REF</sub> > 2V            |                                      | 0.5 |                                      | LSB   |
|                  | Differential Non-linearity | V <sub>REF</sub> > 2V            |                                      | 0.5 |                                      | LSB   |
|                  | Zero Error (Offset)        |                                  |                                      | 1   |                                      | LSB   |
|                  | Conversion Time            |                                  | 65                                   |     | 260                                  | μs    |
|                  | Clock Frequency            |                                  | 50                                   |     | 200                                  | kHz   |
| A <sub>VCC</sub> | Analog Supply Voltage      |                                  | V <sub>CC</sub> - 0.3 <sup>(1)</sup> |     | V <sub>CC</sub> + 0.3 <sup>(2)</sup> | V     |
| V <sub>REF</sub> | Reference Voltage          |                                  | 2                                    |     | A <sub>VCC</sub>                     | V     |
| R <sub>REF</sub> | Reference Input Resistance |                                  | 6                                    | 10  | 13                                   | kΩ    |
| V <sub>IN</sub>  | Input Voltage              |                                  | AGND                                 |     | AREF                                 | V     |
| R <sub>AIN</sub> | Analog Input Resistance    |                                  |                                      | 100 |                                      | MΩ    |

Notes: 1. Minimum for A<sub>VCC</sub> is 2.7V.  
2. Maximum for A<sub>VCC</sub> is 6.0V.

## I/O Ports

All AVR ports have true read-modify-write functionality when used as general digital I/O ports. This means that the direction of one port pin can be changed without unintentionally changing the direction of any other pin with the SBI and CBI instructions. The same applies for changing drive value (if configured as output) or enabling/disabling of pull-up resistors (if configured as input).

### Port A

Port A is an 8-bit bi-directional I/O port.

Three I/O memory address locations are allocated for Port A, one each for the Data Register – PORTA, \$1B(\$3B), Data Direction Register – DDRA, \$1A(\$3A) and the Port A Input Pins – PINA, \$19(\$39). The Port A Input Pins address is read-only, while the Data Register and the Data Direction Register are read/write.

All port pins have individually selectable pull-up resistors. The Port A output buffers can sink 20 mA and thus drive LED displays directly. When pins PA0 to PA7 are used as inputs and are externally pulled low, they will source current if the internal pull-up resistors are activated.

Port A has an alternate function as analog inputs for the ADC. If some Port A pins are configured as outputs, it is essential that these do not switch when a conversion is in progress. This might corrupt the result of the conversion.

During Power-down mode, the Schmitt trigger of the digital input is disconnected. This allows analog signals that are close to  $V_{CC}/2$  to be present during power-down without causing excessive power consumption.

#### Port A Data Register – PORTA

| Bit           | 7      | 6      | 5      | 4      | 3      | 2      | 1      | 0      |       |
|---------------|--------|--------|--------|--------|--------|--------|--------|--------|-------|
| \$1B (\$3B)   | PORTA7 | PORTA6 | PORTA5 | PORTA4 | PORTA3 | PORTA2 | PORTA1 | PORTA0 | PORTA |
| Read/Write    | R/W    | R/W    | R/W    | R/W    | R/W    | R/W    | R/W    | R/W    |       |
| Initial Value | 0      | 0      | 0      | 0      | 0      | 0      | 0      | 0      |       |

#### Port A Data Direction Register – DDRA

| Bit           | 7    | 6    | 5    | 4    | 3    | 2    | 1    | 0    |      |
|---------------|------|------|------|------|------|------|------|------|------|
| \$1A (\$3A)   | DDA7 | DDA6 | DDA5 | DDA4 | DDA3 | DDA2 | DDA1 | DDA0 | DDRA |
| Read/Write    | R/W  | R/W  | R/W  | R/W  | R/W  | R/W  | R/W  | R/W  |      |
| Initial Value | 0    | 0    | 0    | 0    | 0    | 0    | 0    | 0    |      |

#### Port A Input Pins Address – PINA

| Bit           | 7     | 6     | 5     | 4     | 3     | 2     | 1     | 0     |      |
|---------------|-------|-------|-------|-------|-------|-------|-------|-------|------|
| \$19 (\$39)   | PINA7 | PINA6 | PINA5 | PINA4 | PINA3 | PINA2 | PINA1 | PINA0 | PINA |
| Read/Write    | R     | R     | R     | R     | R     | R     | R     | R     |      |
| Initial Value | N/A   | N/A   | N/A   | N/A   | N/A   | N/A   | N/A   | N/A   |      |

The Port A Input Pins address (PINA) is not a register; this address enables access to the physical value on each Port A pin. When reading PORTA, the Port A Data Latch is read and when reading PINA, the logical values present on the pins are read.

## Port A as General Digital I/O

All eight pins in Port A have equal functionality when used as digital I/O pins.

PA<sub>n</sub>, general I/O pin: The DDAn bit in the DDRA register selects the direction of this pin. If DDAn is set (one), PA<sub>n</sub> is configured as an output pin. If DDAn is cleared (zero), PA<sub>n</sub> is configured as an input pin. If PORTAn is set (one) when the pin is configured as an input pin, the MOS pull-up resistor is activated. To switch the pull-up resistor off, the PORTAn has to be cleared (zero) or the pin has to be configured as an output pin. The port pins are tri-stated when a reset condition becomes active, even if the clock is not running.

**Table 29.** DDAn Effects on Port A Pins

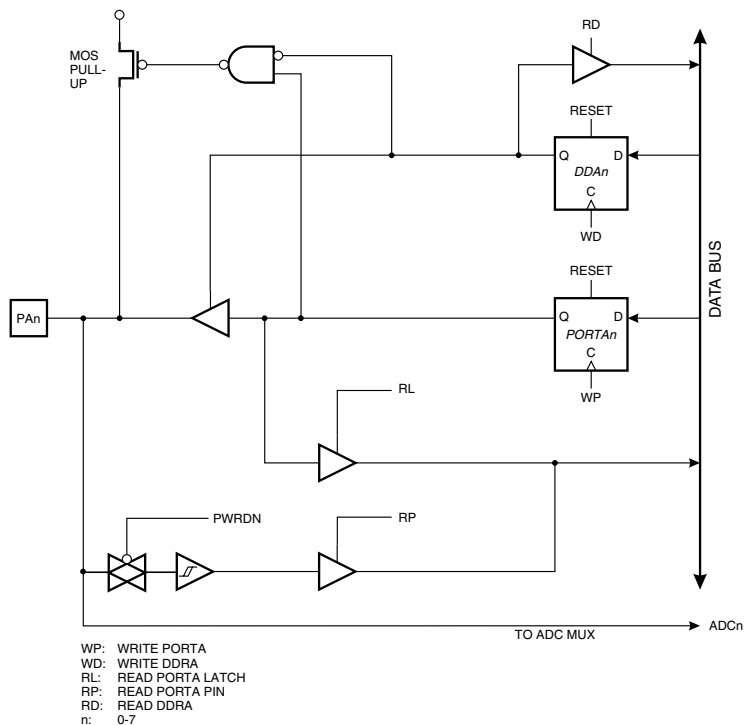
| DDAn | PORTAn | I/O    | Pull-up | Comment  |
|------|--------|--------|---------|--|
| 0    | 0      | Input  | No      | Tri-state (high-Z)                                     |
| 0    | 1      | Input  | Yes     | PA <sub>n</sub> will source current if ext. pulled low |
| 1    | 0      | Output | No      | Push-pull Zero Output                                  |
| 1    | 1      | Output | No      | Push-pull One Output                                   |

Note: n: 7,6...0, pin number.

## Port A Schematics

Note that all port pins are synchronized. The synchronization latch is, however, not shown in the figure.

**Figure 51.** Port A Schematic Diagrams (Pins PA0 - PA7)





## Port B

Port B is an 8-bit bi-directional I/O port.

Three I/O memory address locations are allocated for the Port B, one each for the Data Register – PORTB, \$18(\$38), Data Direction Register – DDRB, \$17(\$37) and the Port B Input Pins – PINB, \$16(\$36). The Port B Input Pins address is read-only, while the Data Register and the Data Direction Register are read/write.

All port pins have individually selectable pull-up resistors. The Port B output buffers can sink 20 mA and thus drive LED displays directly. When pins PB0 to PB7 are used as inputs and are externally pulled low, they will source current if the internal pull-up resistors are activated.

The Port B pins with alternate functions are shown in Table 30.

**Table 30.** Port B Pin Alternate Functions

| Port Pin | Alternate Functions                        |
|----------|--|
| PB0      | T0 (Timer/Counter0 External Counter Input) |
| PB1      | T1 (Timer/Counter1 External Counter Input) |
| PB2      | AIN0 (Analog Comparator Positive Input)    |
| PB3      | AIN1 (Analog Comparator Negative Input)    |
| PB4      | $\overline{SS}$ (SPI Slave Select Input)   |
| PB5      | MOSI (SPI Bus Master Output/Slave Input)   |
| PB6      | MISO (SPI Bus Master Input/Slave Output)   |
| PB7      | SCK (SPI Bus Serial Clock)                 |

When the pins are used for the alternate function, the DDRB and PORTB registers have to be set according to the alternate function description.

### Port B Data Register – PORTB

|               |  |     |     |     |     |     |     |     |       |
|---------------|--|-----|-----|-----|-----|-----|-----|-----|-------|
| Bit           | 7  | 6   | 5   | 4   | 3   | 2   | 1   | 0   |       |
| \$18 (\$38)   | <b>PORTB7 PORTB6 PORTB5 PORTB4 PORTB3 PORTB2 PORTB1 PORTB0</b> |     |     |     |     |     |     |     | PORTB |
| Read/Write    | R/W  | R/W | R/W | R/W | R/W | R/W | R/W | R/W |       |
| Initial Value | 0  | 0   | 0   | 0   | 0   | 0   | 0   | 0   |       |

### Port B Data Direction Register – DDRB

|               |  |     |     |     |     |     |     |     |      |
|---------------|--|-----|-----|-----|-----|-----|-----|-----|------|
| Bit           | 7  | 6   | 5   | 4   | 3   | 2   | 1   | 0   |      |
| \$17 (\$37)   | <b>DDB7 DDB6 DDB5 DDB4 DDB3 DDB2 DDB1 DDB0</b> |     |     |     |     |     |     |     | DDRB |
| Read/Write    | R/W  | R/W | R/W | R/W | R/W | R/W | R/W | R/W |      |
| Initial Value | 0  | 0   | 0   | 0   | 0   | 0   | 0   | 0   |      |

### Port B Input Pins Address – PINB

|               |  |     |     |     |     |     |     |     |      |
|---------------|--|-----|-----|-----|-----|-----|-----|-----|------|
| Bit           | 7  | 6   | 5   | 4   | 3   | 2   | 1   | 0   |      |
| \$16 (\$36)   | <b>PINB7 PINB6 PINB5 PINB4 PINB3 PINB2 PINB1 PINB0</b> |     |     |     |     |     |     |     | PINB |
| Read/Write    | R  | R   | R   | R   | R   | R   | R   | R   |      |
| Initial Value | N/A  | N/A | N/A | N/A | N/A | N/A | N/A | N/A |      |

The Port B Input Pins address (PINB) is not a register and this address enables access to the physical value on each Port B pin. When reading PORTB, the Port B Data Latch is read and when reading PINB, the logical values present on the pins are read.

## Port B As General Digital I/O

All eight pins in Port B have equal functionality when used as digital I/O pins.

PB<sub>n</sub>, general I/O pin: The DDB<sub>n</sub> bit in the DDRB register selects the direction of this pin. If DDB<sub>n</sub> is set (one), PB<sub>n</sub> is configured as an output pin. If DDB<sub>n</sub> is cleared (zero), PB<sub>n</sub> is configured as an input pin. If PORTB<sub>n</sub> is set (one) when the pin is configured as an input pin, the MOS pull-up resistor is activated. To switch the pull-up resistor off, the PORTB<sub>n</sub> has to be cleared (zero) or the pin has to be configured as an output pin. The port pins are tri-stated when a reset condition becomes active, even if the clock is not running.

**Table 31.** DDB<sub>n</sub> Effects on Port B Pins

| DDB <sub>n</sub> | PORTB <sub>n</sub> | I/O    | Pull-up | Comment  |
|------------------|--------------------|--------|---------|--|
| 0                | 0                  | Input  | No      | Tri-state (high-Z)                                     |
| 0                | 1                  | Input  | Yes     | PB <sub>n</sub> will source current if ext. pulled low |
| 1                | 0                  | Output | No      | Push-pull Zero Output                                  |
| 1                | 1                  | Output | No      | Push-pull One Output                                   |

Note: n: 7,6...0, pin number.

## Alternate Functions of Port B

The alternate pin configuration is as follows:

- **SCK – Port B, Bit 7**

SCK: Master clock output, slave clock input pin for SPI channel. When the SPI is enabled as a slave, this pin is configured as an input regardless of the setting of DDB7. When the SPI is enabled as a master, the data direction of this pin is controlled by DDB7. When the pin is forced to be an input, the pull-up can still be controlled by the PORTB7 bit. See the description of the SPI port for further details.

- **MISO – Port B, Bit 6**

MISO: Master data input, slave data output pin for SPI channel. When the SPI is enabled as a master, this pin is configured as an input regardless of the setting of DDB6. When the SPI is enabled as a slave, the data direction of this pin is controlled by DDB6. When the pin is forced to be an input, the pull-up can still be controlled by the PORTB6 bit. See the description of the SPI port for further details.

- **MOSI – Port B, Bit 5**

MOSI: SPI Master data output, slave data input for SPI channel. When the SPI is enabled as a slave, this pin is configured as an input regardless of the setting of DDB5. When the SPI is enabled as a master, the data direction of this pin is controlled by DDB5. When the pin is forced to be an input, the pull-up can still be controlled by the PORTB5 bit. See the description of the SPI port for further details.

- **$\overline{SS}$  – Port B, Bit 4**

$\overline{SS}$ : Slave port select input. When the SPI is enabled as a slave, this pin is configured as an input regardless of the setting of DDB4. As a slave, the SPI is activated when this pin is driven low. When the SPI is enabled as a master, the data direction of this pin is controlled by DDB4. When the pin is forced to be an input, the pull-up can still be controlled by the PORTB4 bit. See the description of the SPI port for further details.

- **AIN1 – Port B, Bit 3**

AIN1, Analog Comparator Negative Input. When configured as an input (DDB3 is cleared [zero]) and with the internal MOS pull-up resistor switched off (PB3 is cleared [zero]), this pin also serves as the negative input of the on-chip Analog Comparator. During Power-down mode, the Schmitt trigger of the digital input is disconnected. This

allows analog signals that are close to  $V_{CC}/2$  to be present during power-down without causing excessive power consumption.

- **AIN0 – Port B, Bit 2**

AIN0, Analog Comparator Positive Input. When configured as an input (DDB2 is cleared [zero]) and with the internal MOS pull-up resistor switched off (PB2 is cleared [zero]), this pin also serves as the positive input of the on-chip Analog Comparator. During Power-down mode, the Schmitt trigger of the digital input is disconnected. This allows analog signals that are close to  $V_{CC}/2$  to be present during power-down without causing excessive power consumption.

- **T1 – Port B, Bit 1**

T1, Timer/Counter1 counter source. See the timer description for further details.

- **T0 – Port B, Bit 0**

T0: Timer/Counter0 counter source. See the timer description for further details.

### Port B Schematics

Note that all port pins are synchronized. The synchronization latches are, however, not shown in the figures.

**Figure 52.** Port B Schematic Diagram (Pins PB0 and PB1)

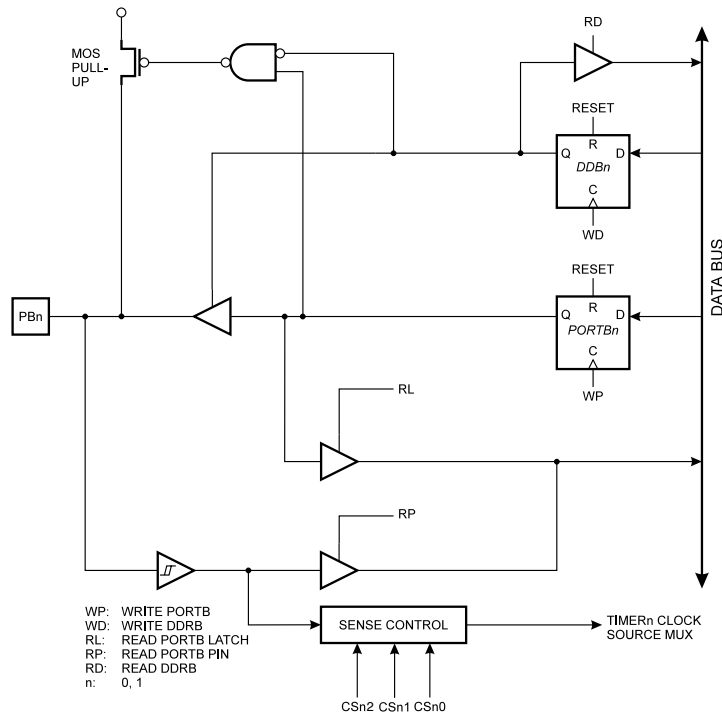


Figure 53. Port B Schematic Diagram (Pins PB2 and PB3)

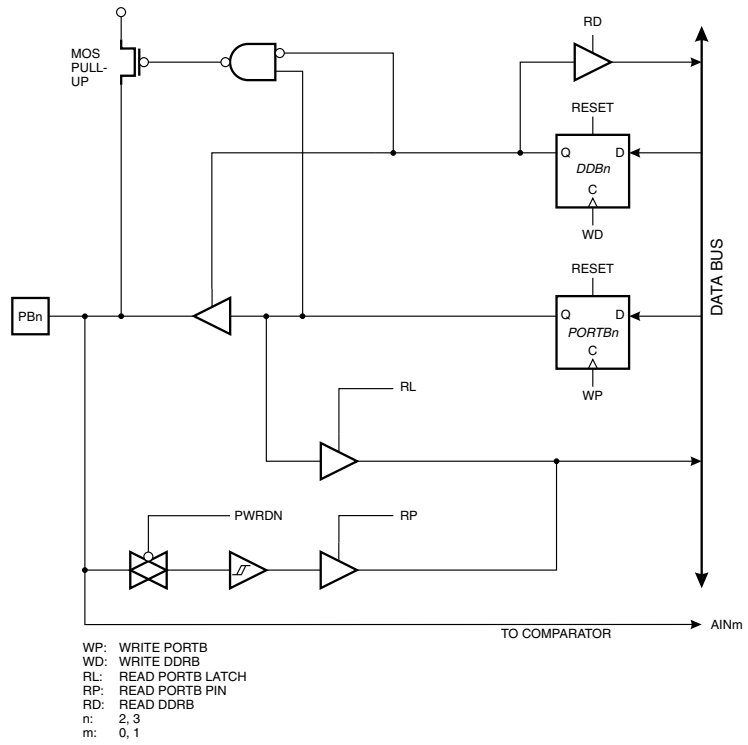
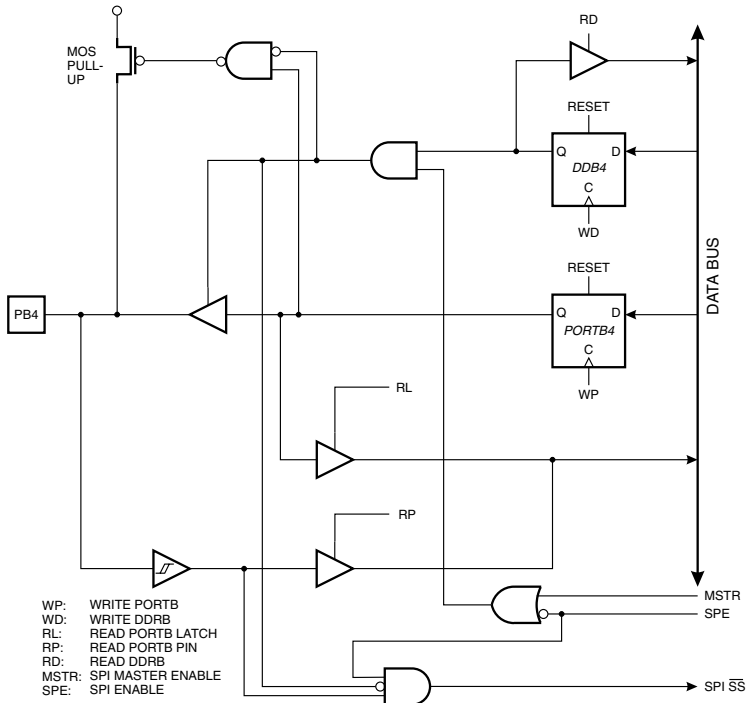
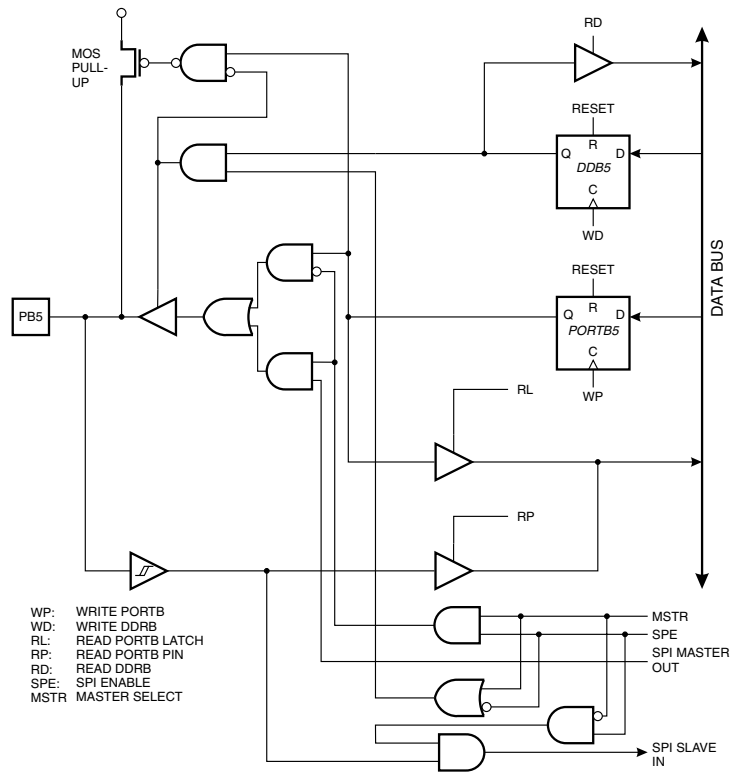


Figure 54. Port B Schematic Diagram (Pin PB4)



**Figure 55. Port B Schematic Diagram (Pin PB5)**



**Figure 56. Port B Schematic Diagram (Pin PB6)**

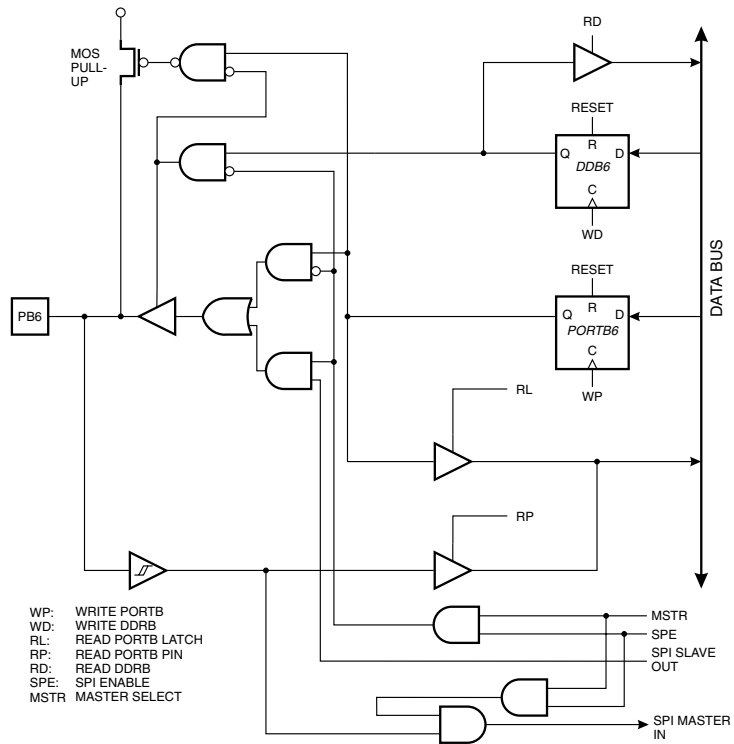
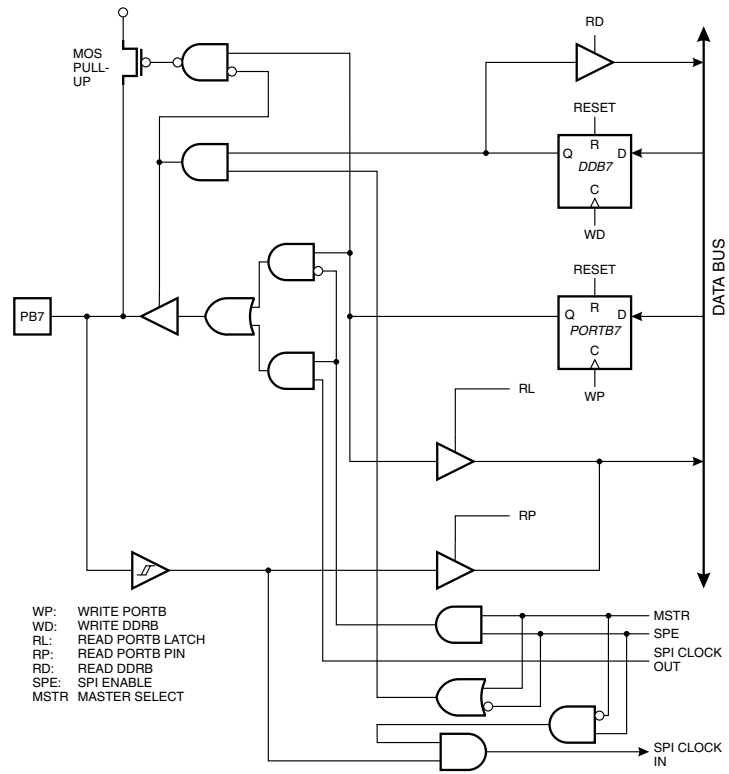


Figure 57. Port B Schematic Diagram (Pin PB7)





## Port C

Port C is an 8-bit bi-directional I/O port.

Three I/O memory address locations are allocated for the Port C, one each for the Data Register – PORTC, \$15(\$35), Data Direction Register – DDRC, \$14(\$34) and the Port C Input Pins – PINC, \$13(\$33). The Port C Input Pins address is read-only, while the Data Register and the Data Direction Register are read/write.

All port pins have individually selectable pull-up resistors. The Port C output buffers can sink 20 mA and thus drive LED displays directly. When pins PC0 to PC7 are used as inputs and are externally pulled low, they will source current if the internal pull-up resistors are activated.

### Port C Data Register – PORTC

|               |  |     |     |     |     |     |     |     |       |
|---------------|--|-----|-----|-----|-----|-----|-----|-----|-------|
| Bit           | 7  | 6   | 5   | 4   | 3   | 2   | 1   | 0   |       |
| \$15 (\$35)   | <b>PORTC7 PORTC6 PORTC5 PORTC4 PORTC3 PORTC2 PORTC1 PORTC0</b> |     |     |     |     |     |     |     | PORTC |
| Read/Write    | R/W  | R/W | R/W | R/W | R/W | R/W | R/W | R/W |       |
| Initial Value | 0  | 0   | 0   | 0   | 0   | 0   | 0   | 0   |       |

### Port C Data Direction Register – DDRC

|               |  |     |     |     |     |     |     |     |      |
|---------------|--|-----|-----|-----|-----|-----|-----|-----|------|
| Bit           | 7  | 6   | 5   | 4   | 3   | 2   | 1   | 0   |      |
| \$14 (\$34)   | <b>DDC7 DDC6 DDC5 DDC4 DDC3 DDC2 DDC1 DDC0</b> |     |     |     |     |     |     |     | DDRC |
| Read/Write    | R/W  | R/W | R/W | R/W | R/W | R/W | R/W | R/W |      |
| Initial Value | 0  | 0   | 0   | 0   | 0   | 0   | 0   | 0   |      |

### Port C Input Pins Address – PINC

|               |  |     |     |     |     |     |     |     |      |
|---------------|--|-----|-----|-----|-----|-----|-----|-----|------|
| Bit           | 7  | 6   | 5   | 4   | 3   | 2   | 1   | 0   |      |
| \$13 (\$33)   | <b>PINC7 PINC6 PINC5 PINC4 PINC3 PINC2 PINC1 PINC0</b> |     |     |     |     |     |     |     | PINC |
| Read/Write    | R  | R   | R   | R   | R   | R   | R   | R   |      |
| Initial Value | N/A  | N/A | N/A | N/A | N/A | N/A | N/A | N/A |      |

The Port C Input Pins address (PINC) is not a register; this address enables access to the physical value on each Port C pin. When reading PORTC, the Port C Data Latch is read and when reading PINC, the logical values present on the pins are read.

### Port C As General Digital I/O

All eight pins in Port C have equal functionality when used as digital I/O pins.

PCn, general I/O pin: The DDCn bit in the DDRC register selects the direction of this pin. If DDCn is set (one), PCn is configured as an output pin. If DDCn is cleared (zero), PCn is configured as an input pin. If PORTCn is set (one) when the pin is configured as an input pin, the MOS pull-up resistor is activated. To switch the pull-up resistor off, PORTCn has to be cleared (zero) or the pin has to be configured as an output pin. The port pins are tri-stated when a reset condition becomes active, even if the clock is not running.

**Table 32.** DDCn Effects on Port C Pins

| DDCn | PORTCn | I/O    | Pull-up | Comment                                    |
|------|--------|--------|---------|--|
| 0    | 0      | Input  | No      | Tri-state (high-Z)                         |
| 0    | 1      | Input  | Yes     | PCn will source current if ext. pulled low |
| 1    | 0      | Output | No      | Push-pull Zero Output                      |
| 1    | 1      | Output | No      | Push-pull One Output                       |

Note: n: 7...0, pin number

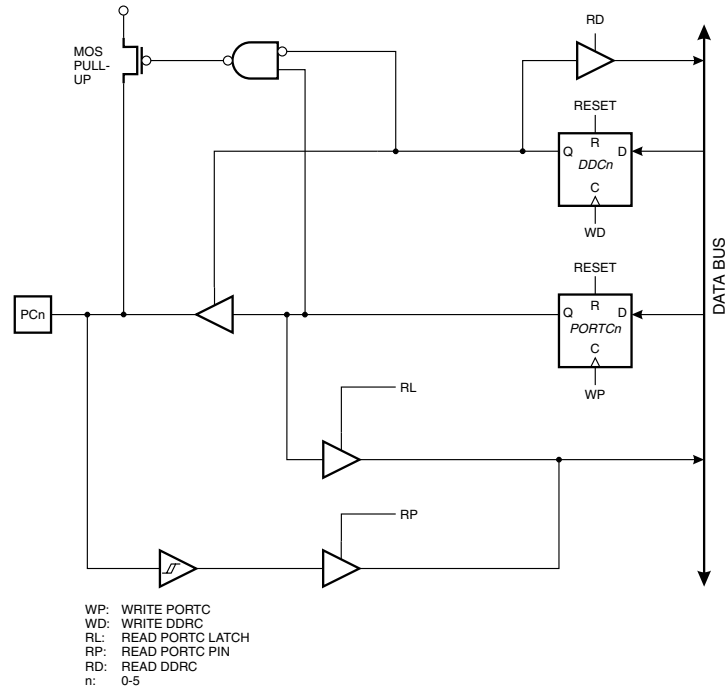
**Alternate Functions of Port C**

When the AS2 bit in ASSR is set (one) to enable asynchronous clocking of Timer/Counter2, pins PC6 and PC7 are disconnected from the port. In this mode, a crystal oscillator is connected to the pins and the pins cannot be used as I/O pins.

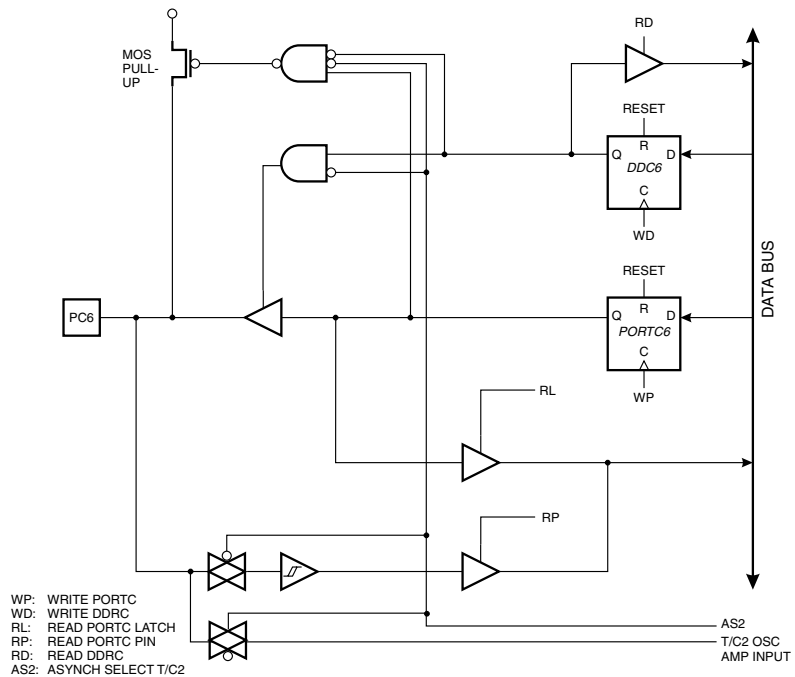
**Port C Schematics**

Note that all port pins are synchronized. The synchronization latch is, however, not shown in the figure.

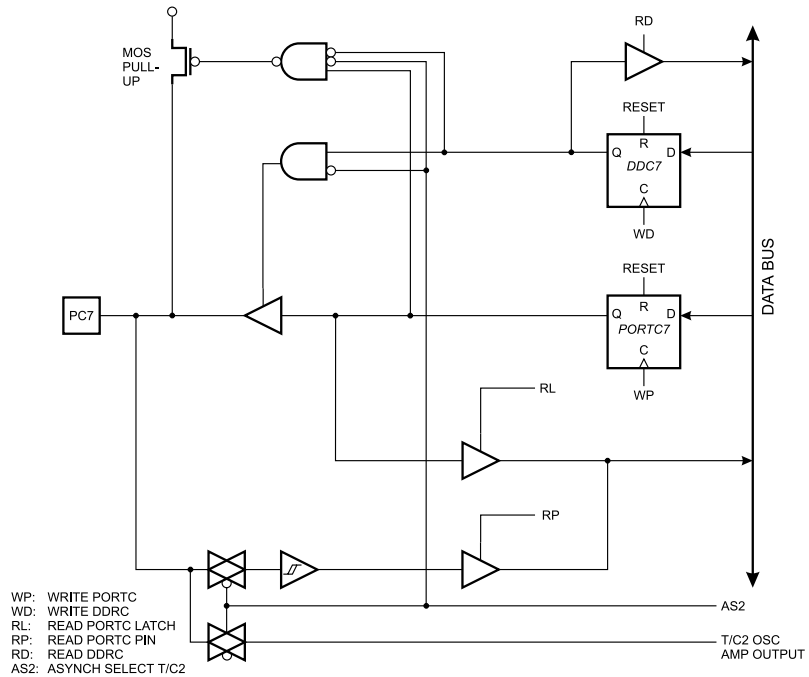
**Figure 58.** Port C Schematic Diagram (Pins PC0 - PC5)



**Figure 59.** Port C Schematic Diagram (Pins PC6)



**Figure 60.** Port C Schematic Diagram (Pins PC7)



## Port D

Port D is an 8-bit bi-directional I/O port with internal pull-up resistors.

Three I/O memory address locations are allocated for Port D, one each for the Data Register – PORTD, \$12(\$32), Data Direction Register – DDRD, \$11(\$31) and the Port D Input Pins – PIND, \$10(\$30). The Port D Input Pins address is read-only, while the Data Register and the Data Direction Register are read/write.

The Port D output buffers can sink 20 mA. As inputs, Port D pins that are externally pulled low will source current if the pull-up resistors are activated. Some Port D pins have alternate functions as shown in Table 33.

**Table 33.** Port D Pin Alternate Functions

| Port Pin | Alternate Function                                 |
|----------|--|
| PD0      | RXD (UART Input line)                              |
| PD1      | TXD (UART Output line)                             |
| PD2      | INT0 (External interrupt 0 input)                  |
| PD3      | INT1 (External interrupt 1 input)                  |
| PD4      | OC1B (Timer/Counter1 output compareB match output) |
| PD5      | OC1A (Timer/Counter1 output compareA match output) |
| PD6      | ICP (Timer/Counter1 input capture pin)             |
| PD7      | OC2 (Timer/Counter2 output compare match output)   |

**Port D Data Register – PORTD**

|               |               |               |               |               |               |               |               |               |       |
|---------------|---------------|---------------|---------------|---------------|---------------|---------------|---------------|---------------|-------|
| Bit           | 7             | 6             | 5             | 4             | 3             | 2             | 1             | 0             |       |
| \$12 (\$32)   | <b>PORTD7</b> | <b>PORTD6</b> | <b>PORTD5</b> | <b>PORTD4</b> | <b>PORTD3</b> | <b>PORTD2</b> | <b>PORTD1</b> | <b>PORTD0</b> | PORTD |
| Read/Write    | R/W           | R/W           | R/W           | R/W           | R/W           | R/W           | R/W           | R/W           |       |
| Initial Value | 0             | 0             | 0             | 0             | 0             | 0             | 0             | 0             |       |

**Port D Data Direction Register – DDRD**

|               |             |             |             |             |             |             |             |             |      |
|---------------|-------------|-------------|-------------|-------------|-------------|-------------|-------------|-------------|------|
| Bit           | 7           | 6           | 5           | 4           | 3           | 2           | 1           | 0           |      |
| \$11 (\$31)   | <b>DDD7</b> | <b>DDD6</b> | <b>DDD5</b> | <b>DDD4</b> | <b>DDD3</b> | <b>DDD2</b> | <b>DDD1</b> | <b>DDD0</b> | DDRD |
| Read/Write    | R/W         | R/W         | R/W         | R/W         | R/W         | R/W         | R/W         | R/W         |      |
| Initial Value | 0           | 0           | 0           | 0           | 0           | 0           | 0           | 0           |      |

**Port D Input Pins Address – PIND**

|               |              |              |              |              |              |              |              |              |      |
|---------------|--------------|--------------|--------------|--------------|--------------|--------------|--------------|--------------|------|
| Bit           | 7            | 6            | 5            | 4            | 3            | 2            | 1            | 0            |      |
| \$10 (\$30)   | <b>PIND7</b> | <b>PIND6</b> | <b>PIND5</b> | <b>PIND4</b> | <b>PIND3</b> | <b>PIND2</b> | <b>PIND1</b> | <b>PIND0</b> | PIND |
| Read/Write    | R            | R            | R            | R            | R            | R            | R            | R            |      |
| Initial Value | N/A          | N/A          | N/A          | N/A          | N/A          | N/A          | N/A          | N/A          |      |

The Port D Input Pins address (PIND) is not a register; this address enables access to the physical value on each Port D pin. When reading PORTD, the Port D Data Latch is read and when reading PIND, the logical values present on the pins are read.

**Port D As General Digital I/O**

PDn, general I/O pin: The DDDn bit in the DDRD register selects the direction of this pin. If DDDn is set (one), PDn is configured as an output pin. If DDDn is cleared (zero), PDn is configured as an input pin. If PDn is set (one) when configured as an input pin, the MOS pull-up resistor is activated. To switch the pull-up resistor off, the PDn has to be cleared (zero) or the pin has to be configured as an output pin. The port pins are tri-stated when a reset condition becomes active, even if the clock is not running.

**Table 34.** DDDn Bits on Port D Pins

| DDDn | PORTDn | I/O    | Pull-up | Comment                                    |
|------|--------|--------|---------|--|
| 0    | 0      | Input  | No      | Tri-state (high-Z)                         |
| 0    | 1      | Input  | Yes     | PDn will source current if ext. pulled low |
| 1    | 0      | Output | No      | Push-pull Zero Output                      |
| 1    | 1      | Output | No      | Push-pull One Output                       |

Note: n: 7,6...0, pin number.

**Alternate Functions of Port D**

• **OC2 – Port D, Bit 7**

OC2, Timer/Counter2 output compare match output: The PD7 pin can serve as an external output for the Timer/Counter2 output compare. The pin has to be configured as an output (DDD7 set [one]) to serve this function. See the timer description on how to enable this function. The OC2 pin is also the output pin for the PWM mode timer function.

• **ICP – Port D, Bit 6**

ICP – Input Capture Pin: The PD6 pin can act as an input capture pin for Timer/Counter1. The pin has to be configured as an input (DDD6 cleared [zero]) to serve this function. See the timer description on how to enable this function.

- **OC1A – Port D, Bit 5**

OC1A, Output compare matchA output: The PD5 pin can serve as an external output for the Timer/Counter1 output compareA. The pin has to be configured as an output (DDD5 set [one]) to serve this function. See the timer description on how to enable this function. The OC1A pin is also the output pin for the PWM mode timer function.

- **OC1B – Port D, Bit 4**

OC1B, Output compare matchB output: The PD4 pin can serve as an external output for the Timer/Counter1 output compareB. The pin has to be configured as an output (DDD4 set [one]) to serve this function. See the timer description on how to enable this function. The OC1B pin is also the output pin for the PWM mode timer function.

- **INT1 – Port D, Bit 3**

INT1, External Interrupt source 1: The PD3 pin can serve as an external interrupt source to the MCU. See the interrupt description for further details and how to enable the source.

- **INT0 – Port D, Bit 2**

INT0, External Interrupt source 0: The PD2 pin can serve as an external interrupt source to the MCU. See the interrupt description for further details and how to enable the source.

- **TXD – Port D, Bit 1**

Transmit Data (data output pin for the UART). When the UART Transmitter is enabled, this pin is configured as an output, regardless of the value of DDD1.

- **RXD – Port D, Bit 0**

Receive Data (data input pin for the UART). When the UART Receiver is enabled, this pin is configured as an input, regardless of the value of DDD0. When the UART forces this pin to be an input, a logical “1” in PORTD0 will turn on the internal pull-up.

Port D Schematics

Note that all port pins are synchronized. The synchronization latches are, however, not shown in the figures.

Figure 61. Port D Schematic Diagram (Pin PD0)

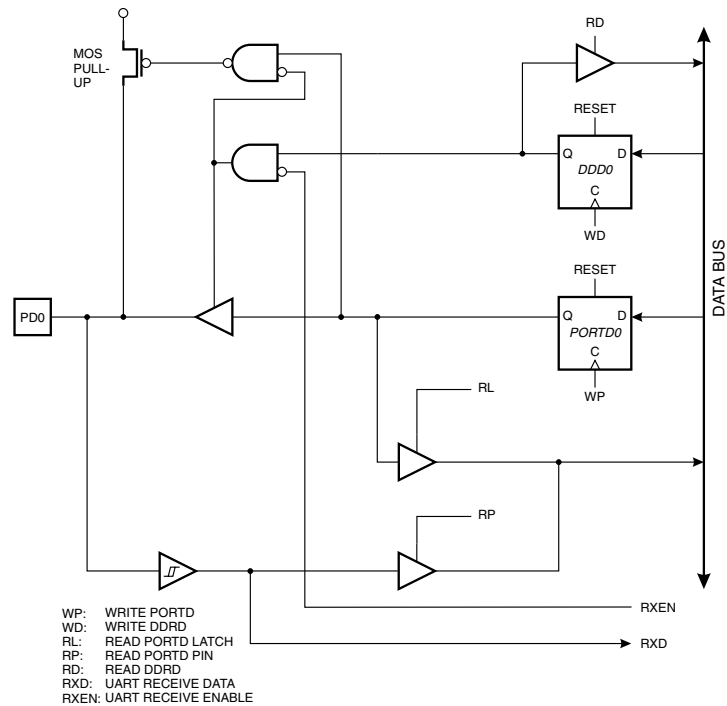
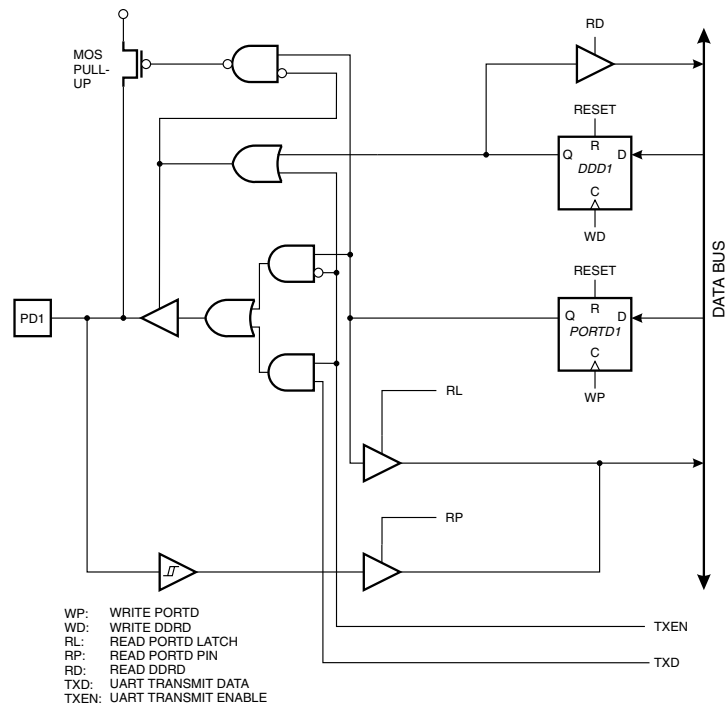
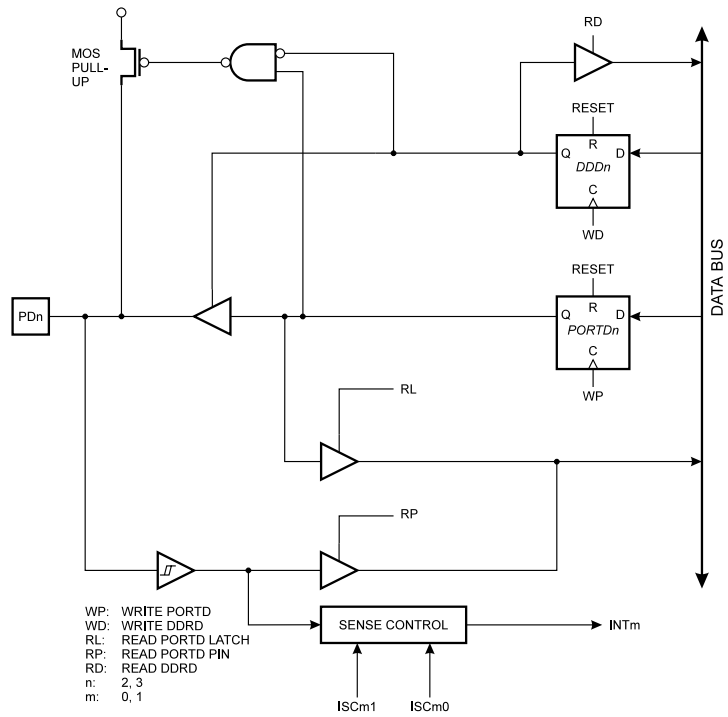


Figure 62. Port D Schematic Diagram (Pin PD1)



**Figure 63. Port D Schematic Diagram (Pins PD2 and PD3)**



**Figure 64. Port D Schematic Diagram (Pins PD4 and PD5)**

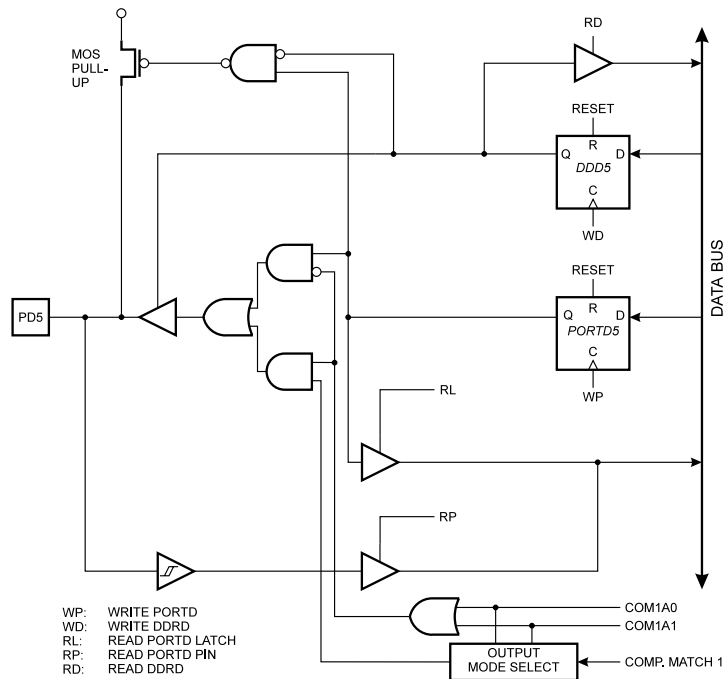


Figure 65. Port D Schematic Diagram (Pin PD6)

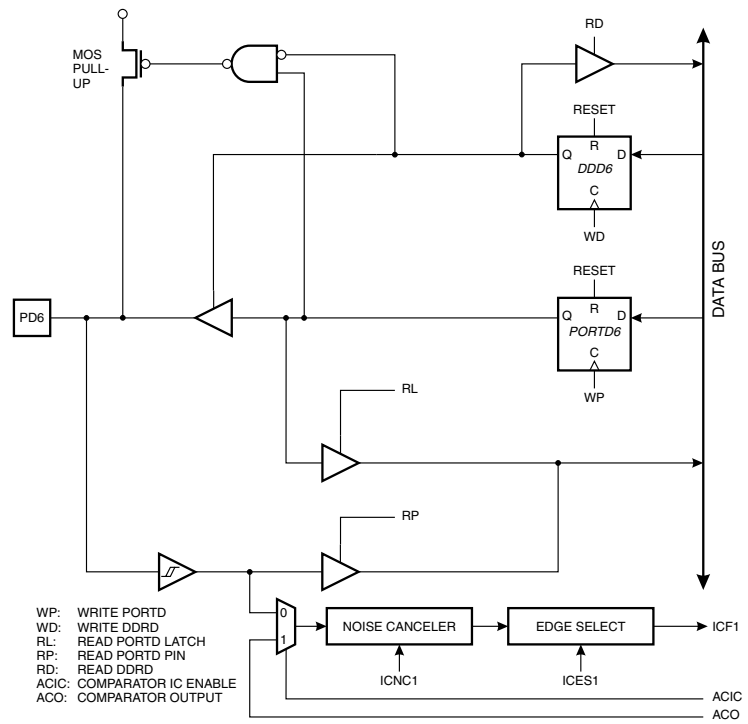
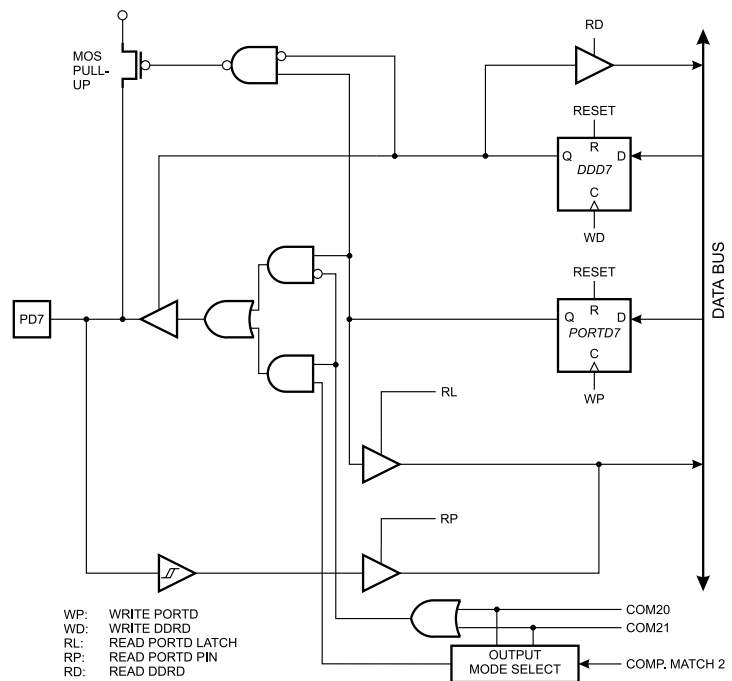


Figure 66. Port D Schematic Diagram (Pin PD7)



## Memory Programming

### Program and Data Memory Lock Bits

The AT90S8535 MCU provides two Lock bits that can be left unprogrammed (“1”) or can be programmed (“0”) to obtain the additional features listed in Table 35. The Lock bits can only be erased with the Chip Erase command.

**Table 35.** Lock Bit Protection Modes

| Memory Lock Bits |     |     | Protection Type   |
|------------------|-----|-----|---|
| Mode             | LB1 | LB2 |   |
| 1                | 1   | 1   | No memory lock features enabled.  |
| 2                | 0   | 1   | Further programming of the Flash and EEPROM is disabled. <sup>(1)</sup> |
| 3                | 0   | 0   | Same as mode 2 and verify is also disabled.                             |

Note: 1. In Parallel Mode, further programming of the Fuse bits is also disabled. Program the Fuse bits before programming the Lock bits.

### Fuse Bits

The AT90S8535 has two Fuse bits, SPIEN and FSTRT.

- When the SPIEN Fuse is programmed (“0”), Serial Program and Data Downloading is enabled. Default value is programmed (“0”). The SPIEN Fuse is not accessible in Serial Programming Mode.
- When the FSTRT Fuse is programmed (“0”), the short start-up time is selected. Default value is unprogrammed (“1”).

The status of the Fuse bits is not affected by Chip Erase.

### Signature Bytes

All Atmel microcontrollers have a three-byte signature code that identifies the device. This code can be read in both Serial and Parallel modes. The three bytes reside in a separate address space.

1. \$000: \$1E (indicates manufactured by Atmel)
2. \$001: \$93 (indicates 8K bytes Flash memory)
3. \$002: \$03 (indicates AT90S8535 device when signature byte \$001 is \$93)

Note: 1. When both Lock bits are programmed (lock mode 3), the signature bytes cannot be read in Serial Mode. Reading the signature bytes will return: \$00, \$01 and \$02.

### Programming the Flash and EEPROM

Atmel’s AT90S8535 offers 8K bytes of in-system reprogrammable Flash program memory and 512 bytes of EEPROM data memory.

The AT90S8535 is shipped with the On-chip Flash program and EEPROM data memory arrays in the erased state (i.e., contents = \$FF) and ready to be programmed. This device supports a high-voltage (12V) Parallel Programming Mode and a low-voltage Serial Programming Mode. The +12V is used for programming enable only and no current of significance is drawn by this pin. The Serial Programming Mode provides a convenient way to download program and data into the AT90S8535 inside the user’s system.

The program and data memory arrays on the AT90S8535 are programmed byte-by-byte in either programming mode. For the EEPROM, an auto-erase cycle is provided within the self-timed write instruction in the Serial Programming Mode.

During programming, the supply voltage must be in accordance with Table 36.

**Table 36.** Supply Voltage during Programming

| Part       | Serial Programming | Parallel Programming |
|------------|--------------------|----------------------|
| AT90S8535  | 4.0 - 6.0V         | 4.5 - 5.5V           |
| AT90LS8535 | 2.7 - 6.0V         | 4.5 - 5.5V           |

**Parallel Programming**

This section describes how to parallel program and verify Flash program memory, EEPROM data memory, Lock bits and Fuse bits in the AT90S8535.

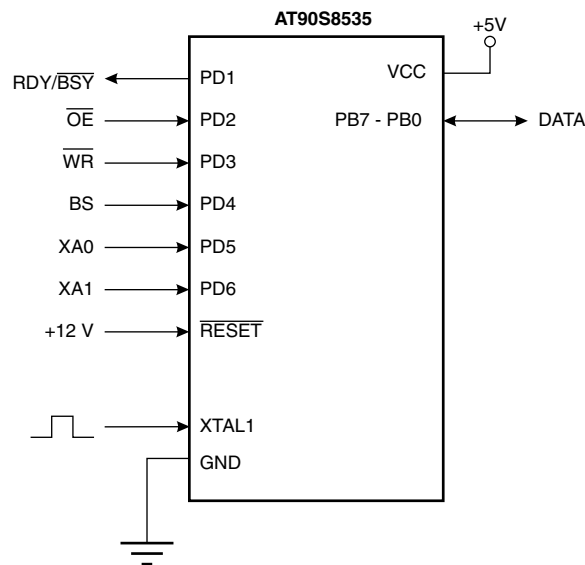
**Signal Names**

In this section, some pins of the AT90S8535 are referenced by signal names describing their function during parallel programming. See Figure 67 and Table 37. Pins not described in Table 37 are referenced by pin name.

The XA1/XA0 pins determine the action executed when the XTAL1 pin is given a positive pulse. The bit coding are shown in Table 38.

When pulsing  $\overline{WR}$  or  $\overline{OE}$ , the command loaded determines the action executed. The command is a byte where the different bits are assigned functions as shown in Table 39.

**Figure 67.** Parallel Programming



**Table 37.** Pin Name Mapping

| Signal Name in Programming Mode | Pin Name | I/O | Function  |
|---------------------------------|----------|-----|---|
| RDY/ $\overline{\text{BSY}}$    | PD1      | O   | 0: Device is busy programming, 1: Device is ready for new command   |
| $\overline{\text{OE}}$          | PD2      | I   | Output Enable (Active low)  |
| $\overline{\text{WR}}$          | PD3      | I   | Write Pulse (Active low)  |
| BS                              | PD4      | I   | Byte Select ("0" selects low byte, "1" selects high byte)           |
| XA0                             | PD5      | I   | XTAL Action Bit 0   |
| XA1                             | PD6      | I   | XTAL Action Bit 1   |
| DATA                            | PB7 - 0  | I/O | Bi-directional Data Bus (Output when $\overline{\text{OE}}$ is low) |

**Table 38.** XA1 and XA0 Coding

| XA1 | XA0 | Action when XTAL1 is Pulsed  |
|-----|-----|--|
| 0   | 0   | Load Flash or EEPROM Address (high or low address byte determined by BS) |
| 0   | 1   | Load Data (High or low data byte for Flash determined by BS)             |
| 1   | 0   | Load Command   |
| 1   | 1   | No Action, Idle  |

**Table 39.** Command Byte Bit Coding

| Command Byte | Command Executed        |
|--------------|-------------------------|
| 1000 0000    | Chip Erase              |
| 0100 0000    | Write Fuse Bits         |
| 0010 0000    | Write Lock Bits         |
| 0001 0000    | Write Flash             |
| 0001 0001    | Write EEPROM            |
| 0000 1000    | Read Signature Bytes    |
| 0000 0100    | Read Lock and Fuse Bits |
| 0000 0010    | Read Flash              |
| 0000 0011    | Read EEPROM             |

### Enter Programming Mode

The following algorithm puts the device in Parallel Programming Mode:

1. Apply supply voltage according to Table 36, between  $V_{CC}$  and GND.
2. Set the  $\overline{\text{RESET}}$  and BS pin to "0" and wait at least 100 ns.
3. Apply 11.5 - 12.5V to  $\overline{\text{RESET}}$ . Any activity on BS within 100 ns after +12V has been applied to  $\overline{\text{RESET}}$ , will cause the device to fail entering programming mode.

**Chip Erase**

The Chip Erase command will erase the Flash and EEPROM memories and the Lock bits. The Lock bits are not reset until the Flash and EEPROM have been completely erased. The Fuse bits are not changed. Chip Erase must be performed before the Flash or EEPROM is reprogrammed.

Load Command "Chip Erase":

1. Set XA1, XA0 to "10". This enables command loading.
2. Set BS to "0".
3. Set DATA to "1000 0000". This is the command for Chip Erase.
4. Give XTAL1 a positive pulse. This loads the command.
5. Give  $\overline{WR}$  a  $t_{WLWH\_CE}$ -wide negative pulse to execute Chip Erase. See Table 40 for  $t_{WLWH\_CE}$  value. Chip Erase does not generate any activity on the RDY/ $\overline{BSY}$  pin.

**Programming the Flash**

A: Load Command "Write Flash"

1. Set XA1, XA0 to "10". This enables command loading.
2. Set BS to "0".
3. Set DATA to "0001 0000". This is the command for Write Flash.
4. Give XTAL1 a positive pulse. This loads the command.

B: Load Address High Byte

1. Set XA1, XA0 to "00". This enables address loading.
2. Set BS to "1". This selects high byte.
3. Set DATA = Address high byte (\$00 - \$0F).
4. Give XTAL1 a positive pulse. This loads the address high byte.

C: Load Address Low Byte

1. Set XA1, XA0 to "00". This enables address loading.
2. Set BS to "0". This selects low byte.
3. Set DATA = Address low byte (\$00 - \$FF).
4. Give XTAL1 a positive pulse. This loads the address low byte.

D: Load Data Low Byte

1. Set XA1, XA0 to "01". This enables data loading.
2. Set DATA = Data low byte (\$00 - \$FF).
3. Give XTAL1 a positive pulse. This loads the data low byte.

E: Write Data Low Byte

1. Set BS to "0". This selects low data.
2. Give  $\overline{WR}$  a negative pulse. This starts programming of the data byte. RDY/ $\overline{BSY}$  goes low.
3. Wait until RDY/ $\overline{BSY}$  goes high to program the next byte.

(See Figure 68 for signal waveforms.)

F: Load Data High Byte

1. Set XA1, XA0 to "01". This enables data loading.
2. Set DATA = Data high byte (\$00 - \$FF).
3. Give XTAL1 a positive pulse. This loads the data high byte.

G: Write Data High Byte

1. Set BS to “1”. This selects high data.
2. Give  $\overline{WR}$  a negative pulse. This starts programming of the data byte.  $RDY/\overline{BSY}$  goes low.
3. Wait until  $RDY/\overline{BSY}$  goes high to program the next byte.

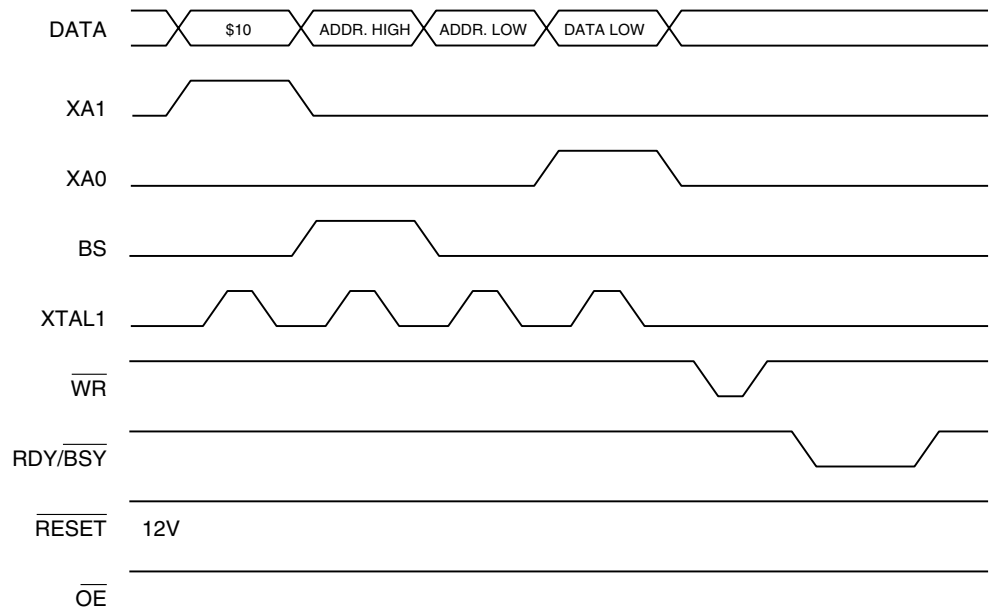
(See Figure 69 for signal waveforms.)

The loaded command and address are retained in the device during programming. For efficient programming, the following should be considered:

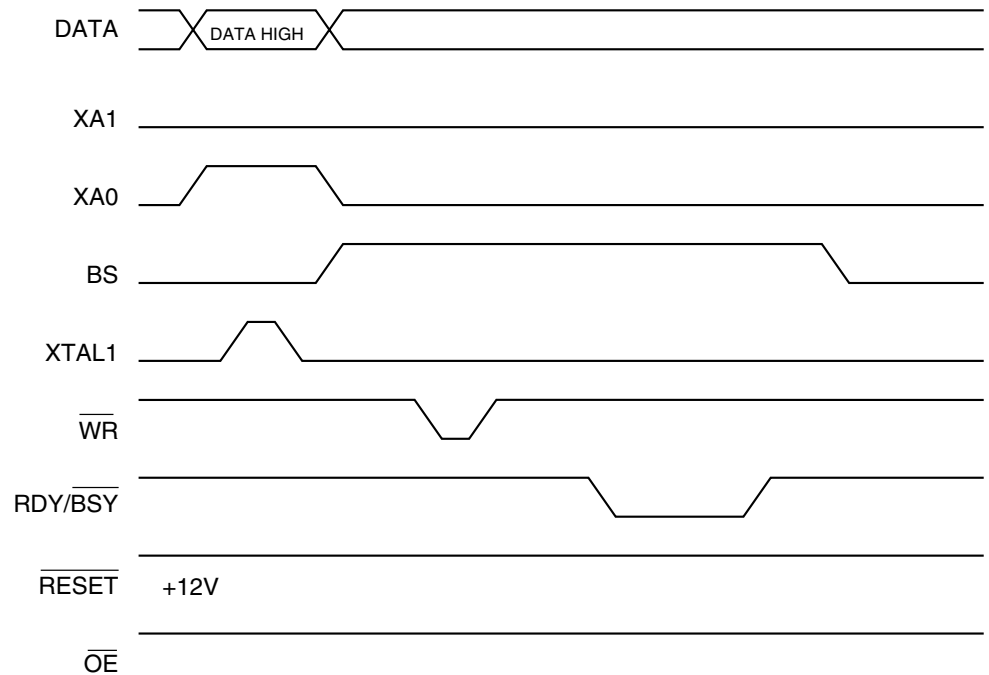
- The command needs only be loaded once when writing or reading multiple memory locations.
- Address high byte needs only be loaded before programming a new 256-word page in the Flash.
- Skip writing the data value \$FF, that is, the contents of the entire Flash and EEPROM after a Chip Erase.

These considerations also apply to EEPROM programming and Flash, EEPROM and signature byte reading.

**Figure 68.** Programming the Flash Waveforms



**Figure 69.** Programming the Flash Waveforms (Continued)



**Reading the Flash**

The algorithm for reading the Flash memory is as follows (refer to “Programming the Flash” for details on command and address loading):

1. A: Load Command “0000 0010”.
2. B: Load Address High Byte (\$00 - \$0F).
3. C: Load Address Low Byte (\$00 - \$FF).
4. Set  $\overline{OE}$  to “0” and BS to “0”. The Flash word low byte can now be read at DATA.
5. Set BS to “1”. The Flash word high byte can now be read from DATA.
6. Set  $\overline{OE}$  to “1”.

**Programming the EEPROM**

The programming algorithm for the EEPROM data memory is as follows (refer to “Programming the Flash” for details on command, address and data loading):

1. A: Load Command “0001 0001”.
2. B: Load Address High Byte (\$00 - \$01).
3. C: Load Address Low Byte (\$00 - \$FF).
4. D: Load Data Low Byte (\$00 - \$FF).
5. E: Write Data Low Byte.

**Reading the EEPROM**

The algorithm for reading the EEPROM memory is as follows (refer to “Programming the Flash” for details on command and address loading):

1. A: Load Command “0000 0011”.
2. B: Load Address High Byte (\$00 - \$01).
3. C: Load Address Low Byte (\$00 - \$FF).
4. Set  $\overline{OE}$  to “0” and BS to “0”. The EEPROM data byte can now be read at DATA.
5. Set  $\overline{OE}$  to “1”.

### Programming the Fuse Bits

The algorithm for programming the Fuse bits is as follows (refer to “Programming the Flash” for details on command and data loading):

1. A: Load Command “0100 0000”.
2. D: Load Data Low Byte. Bit n = “0” programs and bit n = “1” erases the Fuse bit.  
Bit 5 = SPIEN Fuse bit.  
Bit 0 = FSTRT Fuse bit.  
Bit 7-6,4-1 = “1”. These bits are reserved and should be left unprogrammed (“1”).
3. Give  $\overline{WR}$  a  $t_{WLWH\_PFB}$ -wide negative pulse to execute the programming,  $t_{WLWH\_PFB}$  is found in Table 40. Programming the Fuse bits does not generate any activity on the RDY/ $\overline{BSY}$  pin.

### Programming the Lock Bits

The algorithm for programming the Lock bits is as follows (refer to “Programming the Flash” on page 95 for details on command and data loading):

1. A: Load Command “0010 0000”.
2. D: Load Data Low Byte. Bit n = “0” programs the Lock bit.  
Bit 2 = Lock Bit2  
Bit 1 = Lock Bit1  
Bit 7-3,0 = “1”. These bits are reserved and should be left unprogrammed (“1”).
3. E: Write Data Low Byte.

The Lock bits can only be cleared by executing Chip Erase.

### Reading the Fuse and Lock Bits

The algorithm for reading the Fuse and Lock bits is as follows (refer to “Programming the Flash” on page 95 for details on command loading):

1. A: Load Command “0000 0100”.
2. Set  $\overline{OE}$  to “0” and BS to “1”. The status of the Fuse and Lock bits can now be read at DATA (“0” means programmed).  
Bit 7 = Lock Bit1  
Bit 6 = Lock Bit2  
Bit 5 = SPIEN Fuse bit  
Bit 0 = FSTRT Fuse bit
3. Set  $\overline{OE}$  to “1”.  
Observe that BS needs to be set to “1”.

### Reading the Signature Bytes

The algorithm for reading the signature bytes is as follows (refer to “Programming the Flash” on page 95 for details on command and address loading):

1. A: Load Command “0000 1000”.
2. C: Load Address Low Byte (\$00 - \$02).  
Set  $\overline{OE}$  to “0” and BS to “0”. The selected signature byte can now be read at DATA.
3. Set  $\overline{OE}$  to “1”.

## Parallel Programming Characteristics

Figure 70. Parallel Programming Timing

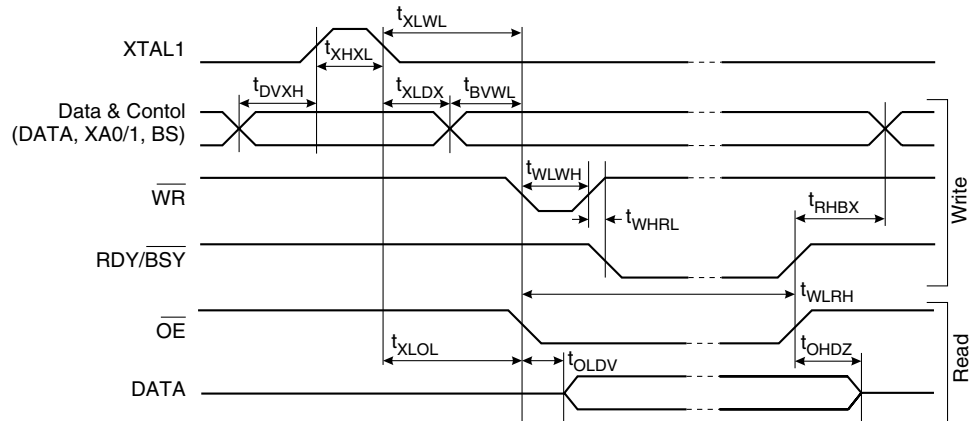


Table 40. Parallel Programming Characteristics,  $T_A = 25^\circ\text{C} \pm 10\%$ ,  $V_{CC} = 5\text{V} \pm 10\%$

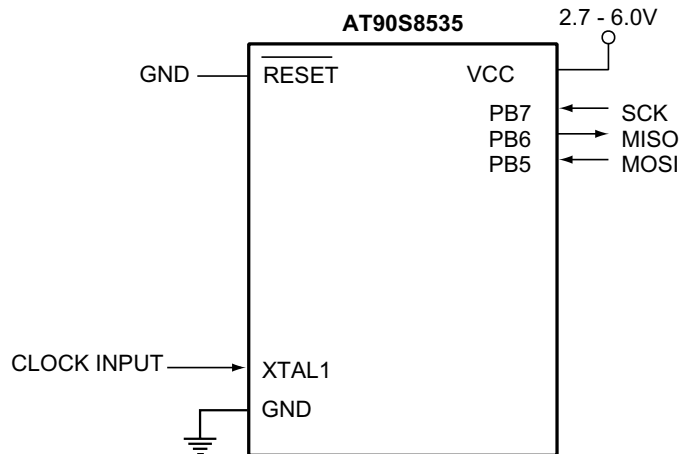
| Symbol          | Parameter  | Min  | Typ  | Max   | Units         |
|-----------------|--|------|------|-------|---------------|
| $V_{PP}$        | Programming Enable Voltage                       | 11.5 |      | 12.5  | V             |
| $I_{PP}$        | Programming Enable Current                       |      |      | 250.0 | $\mu\text{A}$ |
| $t_{DVXH}$      | Data and Control Setup before XTAL1 High         | 67.0 |      |       | ns            |
| $t_{XHXL}$      | XTAL1 Pulse Width High                           | 67.0 |      |       | ns            |
| $t_{XLDX}$      | Data and Control Hold after XTAL1 Low            | 67.0 |      |       | ns            |
| $t_{XLWL}$      | XTAL1 Low to WR Low                              | 67.0 |      |       | ns            |
| $t_{BVWL}$      | BS Valid to WR Low                               | 67.0 |      |       | ns            |
| $t_{RHBX}$      | BS Hold after RDY/BSY High                       | 67.0 |      |       | ns            |
| $t_{WLWH}$      | WR Pulse Width Low <sup>(1)</sup>                | 67.0 |      |       | ns            |
| $t_{WHRL}$      | WR High to RDY/BSY Low <sup>(2)</sup>            |      | 20.0 |       | ns            |
| $t_{WLRH}$      | WR Low to RDY/BSY High <sup>(2)</sup>            | 0.5  | 0.7  | 0.9   | ms            |
| $t_{XLLOL}$     | XTAL1 Low to OE Low                              | 67.0 |      |       | ns            |
| $t_{OLDV}$      | OE Low to DATA Valid                             |      | 20.0 |       | ns            |
| $t_{OHDZ}$      | OE High to DATA Tri-stated                       |      |      | 20.0  | ns            |
| $t_{WLWH\_CE}$  | WR Pulse Width Low for Chip Erase                | 5.0  | 10.0 | 15.0  | ms            |
| $t_{WLWH\_PFB}$ | WR Pulse Width Low for Programming the Fuse Bits | 1.0  | 1.5  | 1.8   | ms            |

Notes: 1. Use  $t_{WLWH\_CE}$  for Chip Erase and  $t_{WLWH\_PFB}$  for programming the Fuse bits.  
 2. If  $t_{WLWH}$  is held longer than  $t_{WLRH}$ , no RDY/BSY pulse will be seen.

## Serial Downloading

Both the Flash and EEPROM memory arrays can be programmed using the serial SPI bus while  $\overline{\text{RESET}}$  is pulled to GND. The serial interface consists of pins SCK, MOSI (input) and MISO (output), see Figure 71. After  $\overline{\text{RESET}}$  is set low, the Programming Enable instruction needs to be executed first before program/erase operations can be executed.

**Figure 71.** Serial Programming and Verify



For the EEPROM, an auto-erase cycle is provided within the self-timed write instruction and there is no need to first execute the Chip Erase instruction. The Chip Erase instruction turns the content of every memory location in both the program and EEPROM arrays into \$FF.

The program and EEPROM memory arrays have separate address spaces: \$0000 to \$0FFF for program memory and \$0000 to \$01FF for EEPROM memory.

Either an external clock is supplied at pin XTAL1 or a crystal needs to be connected across pins XTAL1 and XTAL2. The minimum low and high periods for the serial clock (SCK) input are defined as follows:

Low: > 2 XTAL1 clock cycles

High: > 2 XTAL1 clock cycles

### Serial Programming Algorithm

When writing serial data to the AT90S8535, data is clocked on the rising edge of SCK.

When reading data from the AT90S8535, data is clocked on the falling edge of SCK. See Figure 72, Figure 73 and Table 43 for timing details.

To program and verify the AT90SS8535 in the Serial Programming Mode, the following sequence is recommended (see 4-byte instruction formats in Table 42):

1. Power-up sequence:

Apply power between  $V_{CC}$  and GND while  $\overline{RESET}$  and SCK are set to "0". If a crystal is not connected across pins XTAL1 and XTAL2, apply a clock signal to the XTAL1 pin. In some systems, the programmer cannot guarantee that SCK is held low during power-up. In this case,  $\overline{RESET}$  must be given a positive pulse of at least two XTAL1 cycles duration after SCK has been set to "0".

2. Wait for at least 20 ms and enable serial programming by sending the Programming Enable serial instruction to the MOSI (PB5) pin.
3. The serial programming instructions will not work if the communication is out of synchronization. When in sync, the second byte (\$53) will echo back when issuing the third byte of the Programming Enable instruction. Whether the echo is correct or not, all four bytes of the instruction must be transmitted. If the \$53 did not echo back, give SCK a positive pulse and issue a new Programming Enable instruction. If the \$53 is not seen within 32 attempts, there is no functional device connected.

4. If a Chip Erase is performed (must be done to erase the Flash), wait  $t_{WD\_ERASE}$  after the instruction, give  $\overline{RESET}$  a positive pulse and start over from step 2. See Table 44 for  $t_{WD\_ERASE}$  value.
5. The Flash or EEPROM array is programmed one byte at a time by supplying the address and data together with the appropriate Write instruction. An EEPROM memory location is first automatically erased before new data is written. Use Data Polling to detect when the next byte in the Flash or EEPROM can be written. If polling is not used, wait  $t_{WD\_PROG}$  before transmitting the next instruction. See Table 45 for  $t_{WD\_PROG}$  value. In an erased device, no \$FFs in the data file(s) needs to be programmed.
6. Any memory location can be verified by using the Read instruction that returns the content at the selected address at the serial output MISO (PB6) pin.
7. At the end of the programming session,  $\overline{RESET}$  can be set high to commence normal operation.
8. Power-off sequence (if needed):
  - Set XTAL1 to "0" (if a crystal is not used).
  - Set  $\overline{RESET}$  to "1".
  - Turn  $V_{CC}$  power off.

## Data Polling EEPROM

When a byte is being programmed into the EEPROM, reading the address location being programmed will give the value P1 until the auto-erase is finished and then the value P2. See Table 41 for P1 and P2 values.

At the time the device is ready for a new EEPROM byte, the programmed value will read correctly. This is used to determine when the next byte can be written. This will not work for the values P1 and P2, so when programming these values, the user will have to wait for at least the prescribed time  $t_{WD\_PROG}$  before programming the next byte. See Table 45 for  $t_{WD\_PROG}$  value. As a chip-erased device contains \$FF in all locations, programming of addresses that are meant to contain \$FF can be skipped. This does not apply if the EEPROM is reprogrammed without first chip-erasing the device.

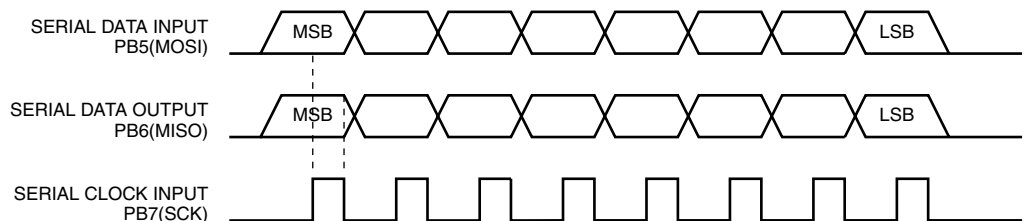
**Table 41.** Read Back Value during EEPROM Polling

| Part         | P1   | P2   |
|--------------|------|------|
| AT90S/LS8535 | \$00 | \$FF |

## Data Polling Flash

When a byte is being programmed into the Flash, reading the address location being programmed will give the value \$FF. At the time the device is ready for a new byte, the programmed value will read correctly. This is used to determine when the next byte can be written. This will not work for the value \$FF, so when programming this value, the user will have to wait for at least  $t_{WD\_PROG}$  before programming the next byte. As a chip-erased device contains \$FF in all locations, programming of addresses that are meant to contain \$FF can be skipped.

**Figure 72.** Serial Programming Waveforms



**Table 42. Serial Programming Instruction Set**

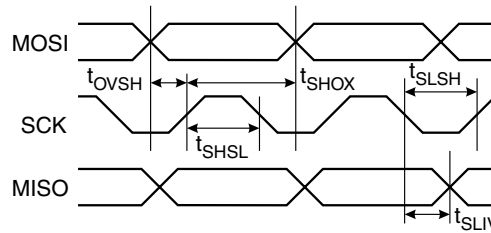
| Instruction             | Instruction Format |                   |                  |                          | Operation  |
|-------------------------|--------------------|-------------------|------------------|--------------------------|--|
|                         | Byte 1             | Byte 2            | Byte 3           | Byte4                    |  |
| Programming Enable      | 1010 1100          | 0101 0011         | xxxx xxxx        | xxxx xxxx                | Enable serial programming while RESET is low.  |
| Chip Erase              | 1010 1100          | 100x xxxx         | xxxx xxxx        | xxxx xxxx                | Chip Erase Flash and EEPROM memory arrays.   |
| Read Program Memory     | 0010 <b>H</b> 000  | xxxx <b>aaaa</b>  | <b>bbbb bbbb</b> | <b>oooo oooo</b>         | Read <b>H</b> (high or low) data <b>o</b> from program memory at word address <b>a:b</b> . |
| Write Program Memory    | 0100 <b>H</b> 000  | xxxx <b>aaaa</b>  | <b>bbbb bbbb</b> | <b>iiii iiii</b>         | Write <b>H</b> (high or low) data <b>i</b> to program memory at word address <b>a:b</b> .  |
| Read EEPROM Memory      | 1010 0000          | xxxx <b>xxxa</b>  | <b>bbbb bbbb</b> | <b>oooo oooo</b>         | Read data <b>o</b> from EEPROM memory at address <b>a:b</b> .                              |
| Write EEPROM Memory     | 1100 0000          | xxxx <b>xxxa</b>  | <b>bbbb bbbb</b> | <b>iiii iiii</b>         | Write data <b>i</b> to EEPROM memory at address <b>a:b</b> .                               |
| Read Lock and Fuse Bits | 0101 1000          | xxxx xxxx         | xxxx xxxx        | <b>12S</b> x <b>xxxF</b> | Read Lock and Fuse bits. "0" = programmed "1" = unprogrammed                               |
| Write Lock Bits         | 1010 1100          | 1111 <b>1211</b>  | xxxx xxxx        | xxxx xxxx                | Write Lock bits. Set bits <b>1,2</b> = "0" to program Lock bits.                           |
| Read Signature Byte     | 0011 0000          | xxxx xxxx         | xxxx <b>xxbb</b> | <b>oooo oooo</b>         | Read signature byte <b>o</b> at address <b>b</b> . <sup>(2)</sup>                          |
| Write FSTRT Fuse        | 1010 1100          | 1011 111 <b>F</b> | xxxx xxxx        | xxxx xxxx                | Write FSTRT fuse. Set bit <b>F</b> = "0" to program, "1" to unprogram.                     |

Notes: 1. **a** = address high bits  
**b** = address low bits  
**H** = 0 – Low byte, 1 – High Byte  
**o** = data out  
**i** = data in  
**x** = don't care  
**1** = Lock Bit 1  
**2** = Lock Bit 2  
**F** = FSTRT Fuse  
**S** = SPIEN Fuse

2. The signature bytes are not readable in lock mode 3, i.e., both Lock bits programmed.

**Serial Programming Characteristics**

**Figure 73.** Serial Programming Timing



**Table 43.** Serial Programming Characteristics,  $T_A = -40^{\circ}\text{C}$  to  $85^{\circ}\text{C}$ ,  $V_{CC} = 2.7 - 6.0\text{V}$  (unless otherwise noted)

| Symbol       | Parameter   | Min            | Typ  | Max  | Units |
|--------------|---|----------------|------|------|-------|
| $1/t_{CLCL}$ | Oscillator Frequency ( $V_{CC} = 2.7 - 6.0\text{V}$ ) | 0              |      | 4.0  | MHz   |
| $t_{CLCL}$   | Oscillator Period ( $V_{CC} = 2.7 - 4.0\text{V}$ )    | 250.0          |      |      | ns    |
| $1/t_{CLCL}$ | Oscillator Frequency ( $V_{CC} = 4.0 - 6.0\text{V}$ ) | 0              |      | 8.0  | MHz   |
| $t_{CLCL}$   | Oscillator Period ( $V_{CC} = 4.0 - 6.0\text{V}$ )    | 125.0          |      |      | ns    |
| $t_{SHSL}$   | SCK Pulse Width High                                  | $2.0 t_{CLCL}$ |      |      | ns    |
| $t_{SLSH}$   | SCK Pulse Width Low                                   | $2.0 t_{CLCL}$ |      |      | ns    |
| $t_{OVSH}$   | MOSI Setup to SCK High                                | $t_{CLCL}$     |      |      | ns    |
| $t_{SHOX}$   | MOSI Hold after SCK High                              | $2.0 t_{CLCL}$ |      |      | ns    |
| $t_{SLIV}$   | SCK Low to MISO Valid                                 | 10.0           | 16.0 | 32.0 | ns    |

**Table 44.** Minimum Wait Delay after the Chip Erase instruction

| Symbol          | 3.2V  | 3.6V  | 4.0V  | 5.0V |
|-----------------|-------|-------|-------|------|
| $t_{WD\_ERASE}$ | 18 ms | 14 ms | 12 ms | 8 ms |

**Table 45.** Minimum Wait Delay after Writing a Flash or EEPROM Location

| Symbol         | 3.2V | 3.6V | 4.0V | 5.0V |
|----------------|------|------|------|------|
| $t_{WD\_PROG}$ | 9 ms | 7 ms | 6 ms | 4 ms |



## Electrical Characteristics

### Absolute Maximum Ratings\*

|   |                          |
|---|--------------------------|
| Operating Temperature .....   | -40°C to +105°C          |
| Storage Temperature .....   | -65°C to +150°C          |
| Voltage on Any Pin except $\overline{\text{RESET}}$<br>with Respect to Ground ..... | -1.0V to $V_{CC} + 0.5V$ |
| Voltage on $\overline{\text{RESET}}$ with Respect to Ground .....                   | -1.0V to +13.0V          |
| Maximum Operating Voltage .....   | 6.6V                     |
| I/O Pin Maximum Current .....   | 40.0 mA                  |
| Maximum Current $V_{CC}$<br>and GND (PDIP package) .....                            | 200.0 mA                 |
| Maximum Current $V_{CC}$<br>and GND (TQFP, PLCC package) .....                      | 400.0 mA                 |

\*NOTICE: Stresses beyond those listed under “Absolute Maximum Ratings” may cause permanent damage to the device. This is a stress rating only and functional operation of the device at these or other conditions beyond those indicated in the operational sections of this specification is not implied. Exposure to absolute maximum rating conditions for extended periods may affect device reliability.

### DC Characteristics

$T_A = -40^\circ\text{C}$  to  $85^\circ\text{C}$ ,  $V_{CC} = 2.7V$  to  $6.0V$  (unless otherwise noted)

| Symbol    | Parameter  | Condition  | Min                | Typ | Max                | Units         |
|-----------|--|--|--------------------|-----|--------------------|---------------|
| $V_{IL}$  | Input Low Voltage  |  | -0.5               |     | $0.3V_{CC}^{(1)}$  | V             |
| $V_{IL1}$ | Input Low Voltage  | XTAL   | -0.5               |     | $0.2 V_{CC}^{(1)}$ | V             |
| $V_{IH}$  | Input High Voltage                                       | Except (XTAL, RESET)                                     | $0.6 V_{CC}^{(2)}$ |     | $V_{CC} + 0.5$     | V             |
| $V_{IH1}$ | Input High Voltage                                       | XTAL   | $0.8 V_{CC}^{(2)}$ |     | $V_{CC} + 0.5$     | V             |
| $V_{IH2}$ | Input High Voltage                                       | RESET  | $0.9 V_{CC}^{(2)}$ |     | $V_{CC} + 0.5$     | V             |
| $V_{OL}$  | Output Low Voltage <sup>(3)</sup><br>(Ports A, B, C, D)  | $I_{OL} = 20 \text{ mA}$ , $V_{CC} = 5V$                 |                    |     | 0.6                | V             |
|           |  | $I_{OL} = 10 \text{ mA}$ , $V_{CC} = 3V$                 |                    |     | 0.5                | V             |
| $V_{OH}$  | Output High Voltage <sup>(4)</sup><br>(Ports A, B, C, D) | $I_{OH} = -3 \text{ mA}$ , $V_{CC} = 5V$                 | 4.2                |     |                    | V             |
|           |  | $I_{OH} = -1.5 \text{ mA}$ , $V_{CC} = 3V$               | 2.3                |     |                    | V             |
| $I_{IL}$  | Input Leakage<br>Current I/O Pin                         | $V_{CC} = 6V$ , $V_{in} = 0.45V$<br>(absolute value)     |                    |     | 8.0                | $\mu\text{A}$ |
| $I_{IH}$  | Input Leakage<br>Current I/O Pin                         | $V_{CC} = 6V$ , $V_{in} = 6.0V$<br>(absolute value)      |                    |     | 8.0                | $\mu\text{A}$ |
| RRST      | Reset Pull-up  |  | 100.0              |     | 500.0              | $k\Omega$     |
| $R_{I/O}$ | I/O Pin Pull-up Resistor                                 |  | 35.0               |     | 120.0              | $k\Omega$     |
| $I_{CC}$  | Power Supply Current                                     | Active 4 MHz, $V_{CC} = 3V$                              |                    |     | 5.0                | mA            |
|           |  | Idle 4 MHz, $V_{CC} = 3V$                                |                    |     | 3.0                | mA            |
|           |  | Power-down, $V_{CC} = 3V$<br>WDT enabled <sup>(5)</sup>  |                    |     | 15.0               | $\mu\text{A}$ |
|           |  | Power-down, $V_{CC} = 3V$<br>WDT disabled <sup>(5)</sup> |                    |     | 5.0                | $\mu\text{A}$ |
|           |  | Power Save, $V_{CC} = 3V$<br>WDT disabled <sup>(5)</sup> |                    |     | 15.0               | $\mu\text{A}$ |

**DC Characteristics (Continued)**

T<sub>A</sub> = -40°C to 85°C, V<sub>CC</sub> = 2.7V to 6.0V (unless otherwise noted)

| Symbol            | Parameter                              | Condition  | Min   | Typ            | Max  | Units |
|-------------------|--|--|-------|----------------|------|-------|
| V <sub>ACIO</sub> | Analog Comparator Input Offset Voltage | V <sub>CC</sub> = 5V<br>V <sub>in</sub> = V <sub>CC</sub> /2 |       |                | 40.0 | mV    |
| I <sub>ACLK</sub> | Analog Comparator Input Leakage A      | V <sub>CC</sub> = 5V<br>V <sub>in</sub> = V <sub>CC</sub> /2 | -50.0 |                | 50.0 | nA    |
| t <sub>ACPD</sub> | Analog Comparator Propagation Delay    | V <sub>CC</sub> = 2.7V<br>V <sub>CC</sub> = 4.0V             |       | 750.0<br>500.0 |      | ns    |

- Notes:
- “Max” means the highest value where the pin is guaranteed to be read as low (logical “0”).
  - “Min” means the lowest value where the pin is guaranteed to be read as high (logical “1”).
  - Although each I/O port can sink more than the test conditions (20 mA at V<sub>CC</sub> = 5V, 10 mA at V<sub>CC</sub> = 3V) under steady state conditions (non-transient), the following must be observed:  
 PDIP Package:  
 1) The sum of all I<sub>OL</sub> for all ports, should not exceed 200 mA.  
 2) The sum of all I<sub>OL</sub> for port A0 - A7, should not exceed 100 mA.  
 3) The sum of all I<sub>OL</sub> for ports B0 - B7, C0 - C7, D0 - D7 and XTAL2, should not exceed 100 mA.  
 PLCC and TQFP Packages:  
 1) The sum of all I<sub>OL</sub> for all ports, should not exceed 400 mA.  
 2) The sum of all I<sub>OL</sub> for ports A0 - A7, should not exceed 100 mA.  
 3) The sum of all I<sub>OL</sub> for ports B0 - B3, should not exceed 100 mA.  
 4) The sum of all I<sub>OL</sub> for ports B4 - B7, should not exceed 100 mA.  
 5) The sum of all I<sub>OL</sub> for ports C0 - C3, should not exceed 100 mA.  
 6) The sum of all I<sub>OL</sub> for ports C4 - C7, should not exceed 100 mA.  
 7) The sum of all I<sub>OL</sub> for ports D0 - D3 and XTAL2, should not exceed 100 mA.  
 8) The sum of all I<sub>OL</sub> for ports D4 - D7, should not exceed 100 mA.  
 If I<sub>OL</sub> exceeds the test condition, V<sub>OL</sub> may exceed the related specification. Pins are not guaranteed to sink current greater than the listed test condition.
  - Although each I/O port can source more than the test conditions (3 mA at V<sub>CC</sub> = 5V, 1.5 mA at V<sub>CC</sub> = 3V) under steady state conditions (non-transient), the following must be observed:  
 PDIP Package:  
 1) The sum of all I<sub>OH</sub> for all ports, should not exceed 200 mA.  
 2) The sum of all I<sub>OH</sub> for port A0 - A7, should not exceed 100 mA.  
 3) The sum of all I<sub>OH</sub> for ports B0 - B7, C0 - C7, D0 - D7 and XTAL2, should not exceed 100 mA.  
 PLCC and TQFP Packages:  
 1) The sum of all I<sub>OH</sub> for all ports, should not exceed 400 mA.  
 2) The sum of all I<sub>OH</sub> for ports A0 - A7, should not exceed 100 mA.  
 3) The sum of all I<sub>OH</sub> for ports B0 - B3, should not exceed 100 mA.  
 4) The sum of all I<sub>OH</sub> for ports B4 - B7, should not exceed 100 mA.  
 5) The sum of all I<sub>OH</sub> for ports C0 - C3, should not exceed 100 mA.  
 6) The sum of all I<sub>OH</sub> for ports C4 - C7, should not exceed 100 mA.  
 7) The sum of all I<sub>OH</sub> for ports D0 - D3 and XTAL2, should not exceed 100 mA.  
 8) The sum of all I<sub>OH</sub> for ports D4 - D7, should not exceed 100 mA.  
 If I<sub>OH</sub> exceeds the test condition, V<sub>OH</sub> may exceed the related specification. Pins are not guaranteed to source current greater than the listed test condition.
  - Minimum V<sub>CC</sub> for power-down is 2V.

## External Clock Drive Waveforms

Figure 74. External Clock

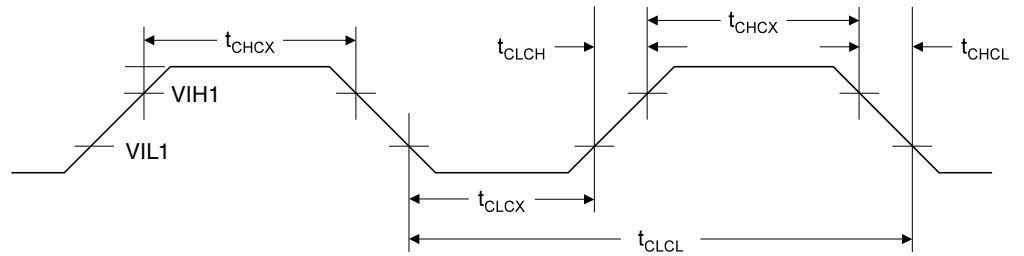


Table 46. External Clock Drive

| Symbol       | Parameter            | $V_{CC} = 2.7V \text{ to } 6.0V$ |     | $V_{CC} = 4.0V \text{ to } 6.0V$ |     | Units   |
|--------------|----------------------|----------------------------------|-----|----------------------------------|-----|---------|
|              |                      | Min                              | Max | Min                              | Max |         |
| $1/t_{CLCL}$ | Oscillator Frequency | 0                                | 4   | 0                                | 8.0 | MHz     |
| $t_{CLCL}$   | Clock Period         | 250.0                            |     | 125.0                            |     | ns      |
| $t_{CHCX}$   | High Time            | 100.0                            |     | 50.0                             |     | ns      |
| $t_{CLCX}$   | Low Time             | 100.0                            |     | 50.0                             |     | ns      |
| $t_{CLCH}$   | Rise Time            |                                  | 1.6 |                                  | 0.5 | $\mu s$ |
| $t_{CHCL}$   | Fall Time            |                                  | 1.6 |                                  | 0.5 | $\mu s$ |

## Typical Characteristics

The following charts show typical behavior. These figures are not tested during manufacturing. All current consumption measurements are performed with all I/O pins configured as inputs and with internal pull-ups enabled. A sine wave generator with rail-to-rail output is used as clock source.

The power consumption in Power-down mode is independent of clock selection.

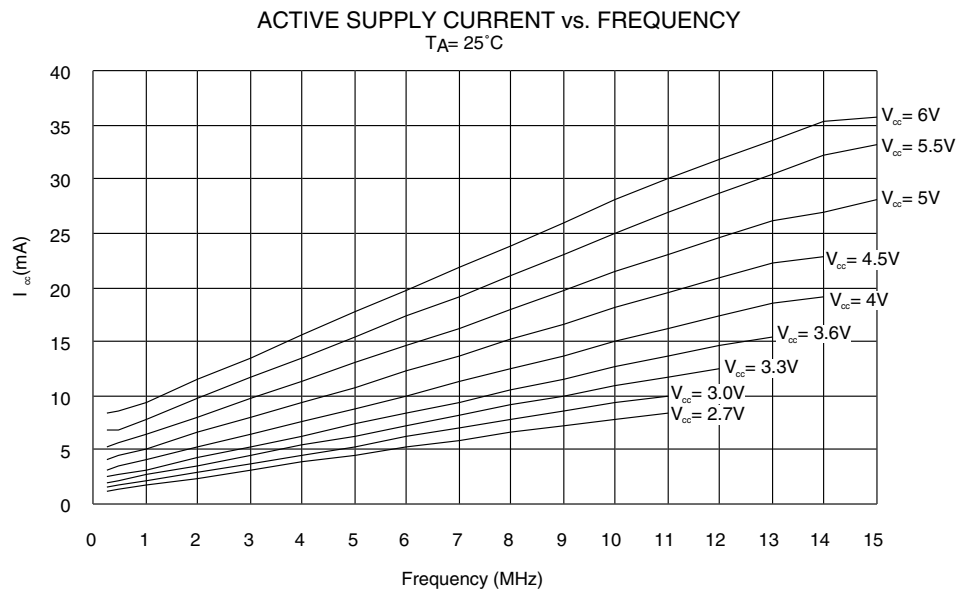
The current consumption is a function of several factors such as: operating voltage, operating frequency, loading of I/O pins, switching rate of I/O pins, code executed and ambient temperature. The dominating factors are operating voltage and frequency.

The current drawn from capacitive loaded pins may be estimated (for one pin) as  $C_L \cdot V_{CC} \cdot f$  where  $C_L$  = load capacitance,  $V_{CC}$  = operating voltage and  $f$  = average switching frequency of I/O pin.

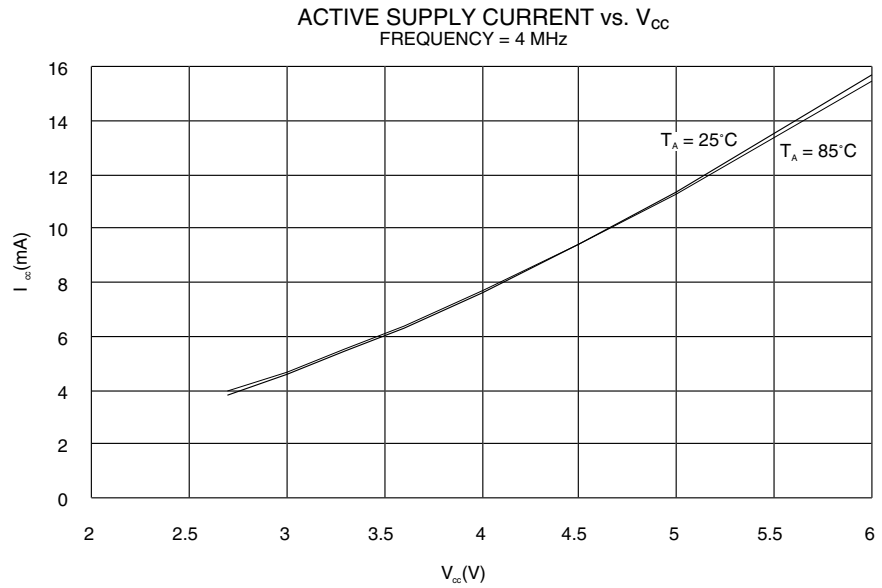
The parts are characterized at frequencies higher than test limits. Parts are not guaranteed to function properly at frequencies higher than the ordering code indicates.

The difference between current consumption in with Watchdog Timer enabled and Power-down mode with Watchdog Timer disabled represents the differential current drawn by the Watchdog Timer.

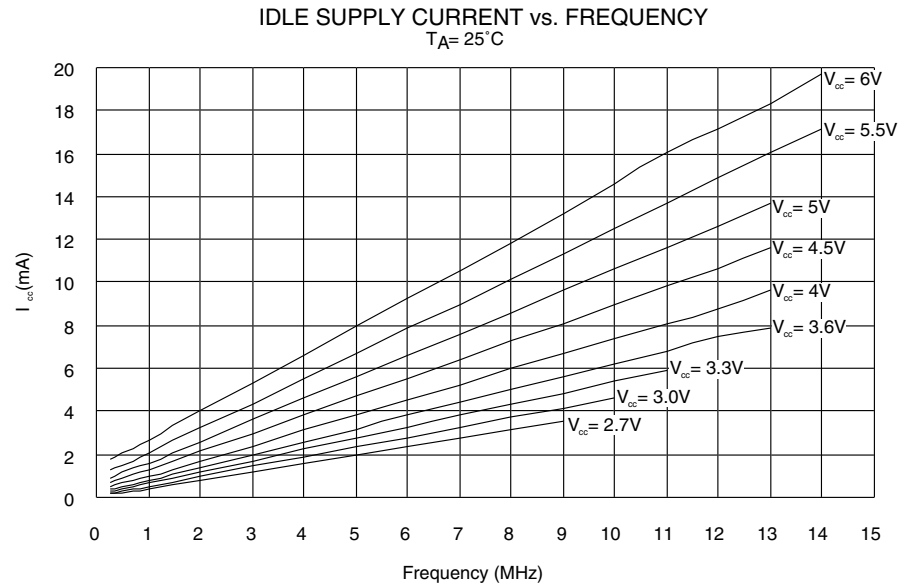
**Figure 75.** Active Supply Current vs. Frequency



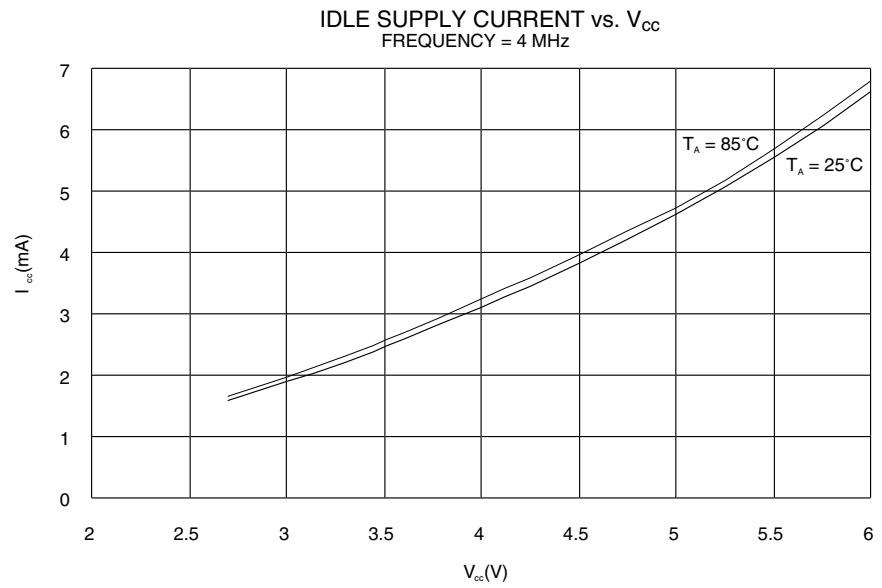
**Figure 76.** Active Supply Current vs.  $V_{CC}$



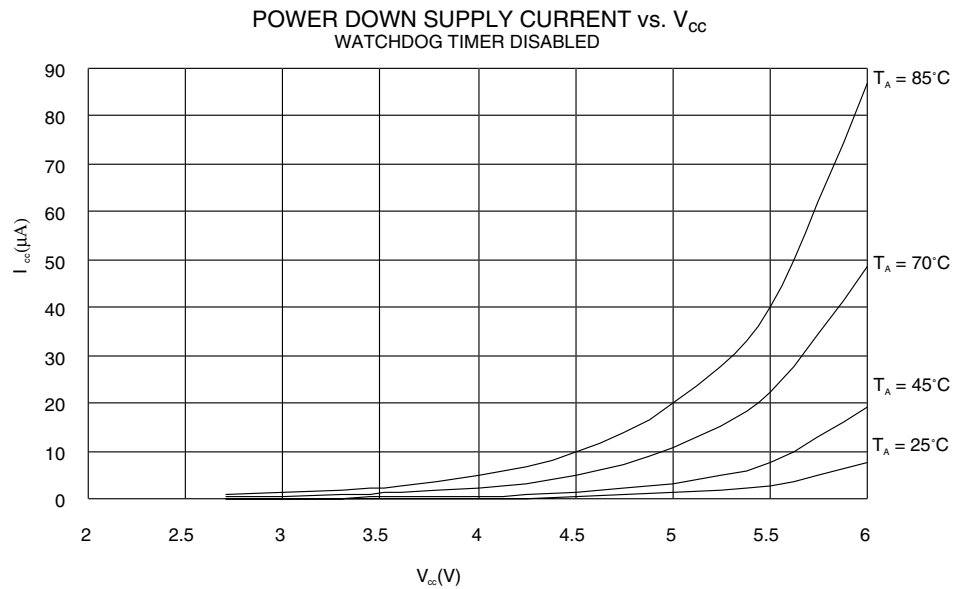
**Figure 77.** Idle Supply Current vs. Frequency



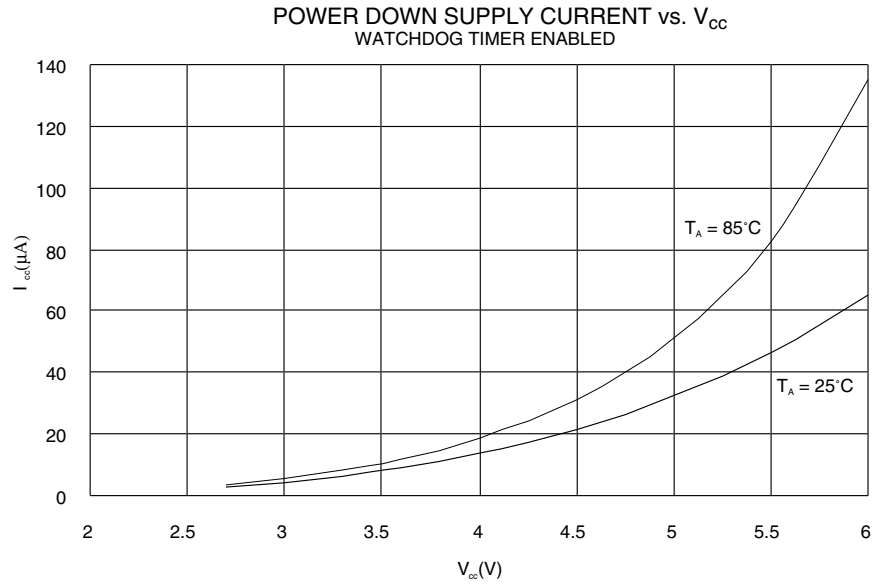
**Figure 78.** Idle Supply Current vs.  $V_{CC}$



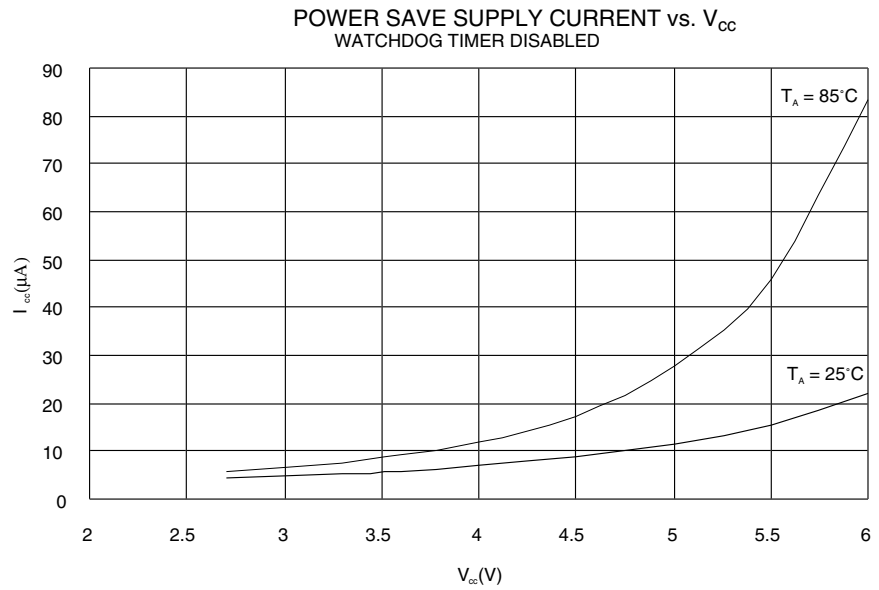
**Figure 79.** Power-down Supply Current vs.  $V_{CC}$



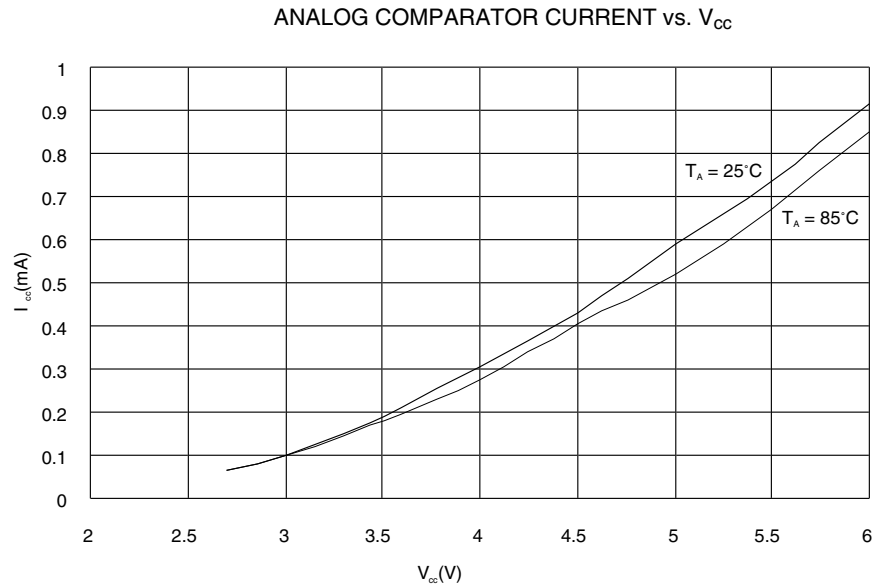
**Figure 80.** Power-down Supply Current vs.  $V_{CC}$



**Figure 81.** Power Save Supply Current vs.  $V_{CC}$

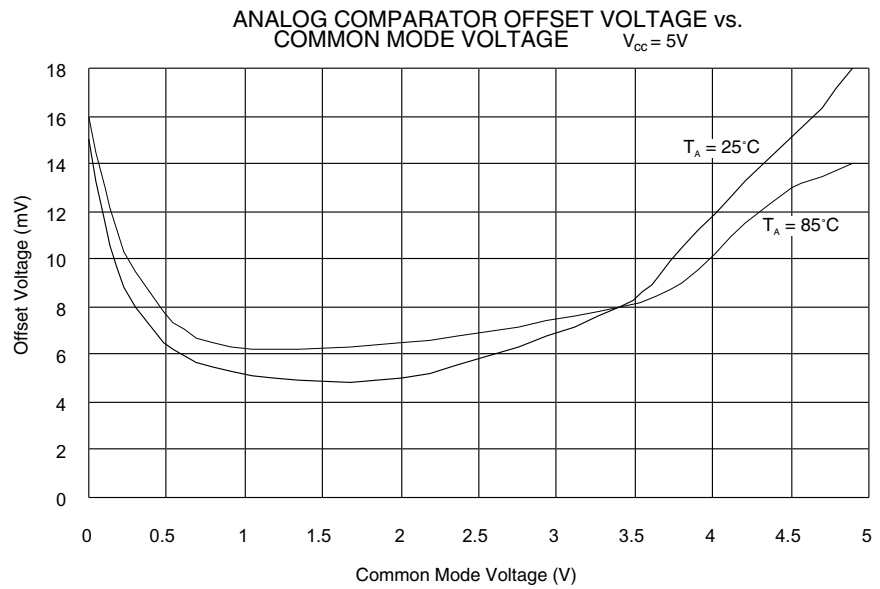


**Figure 82.** Analog Comparator Current vs.  $V_{CC}$

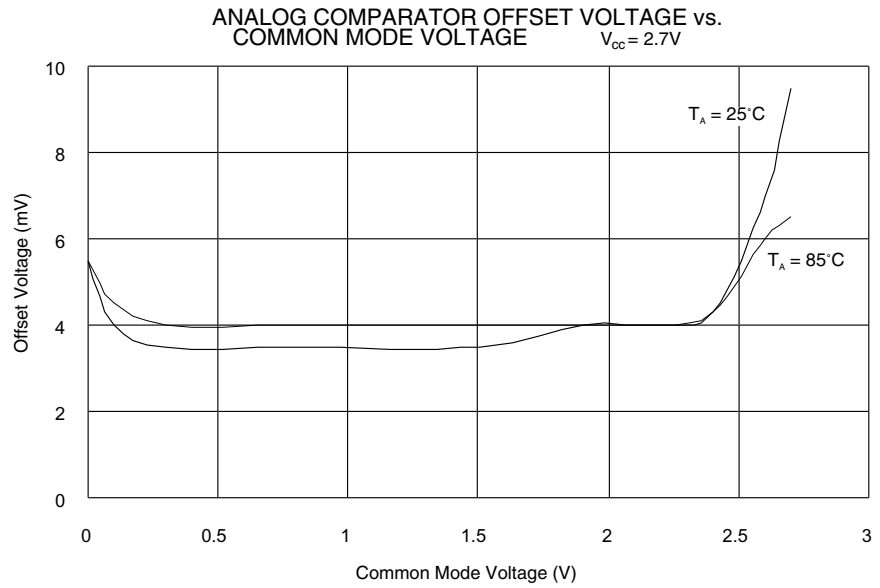


Note: Analog comparator offset voltage is measured as absolute offset.

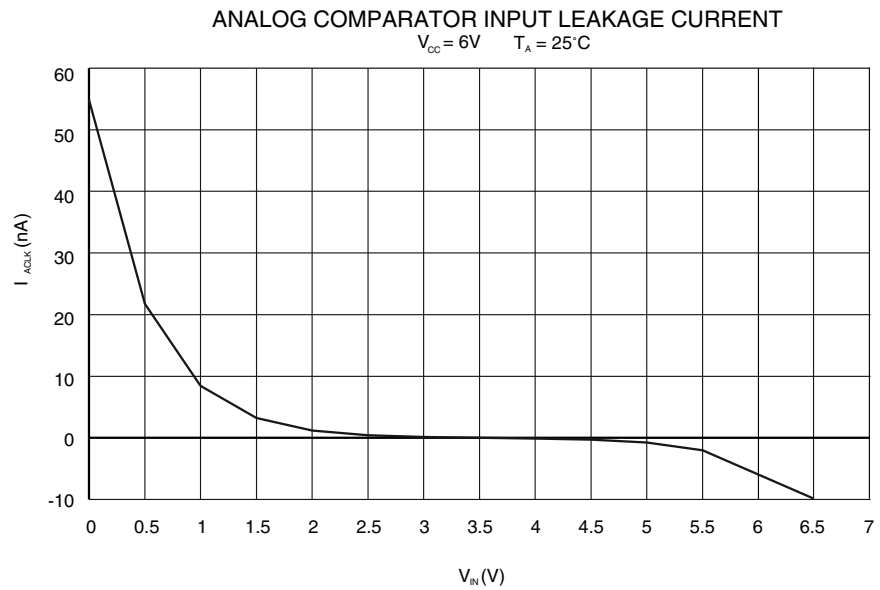
**Figure 83.** Analog Comparator Offset Voltage vs. Common Mode Voltage



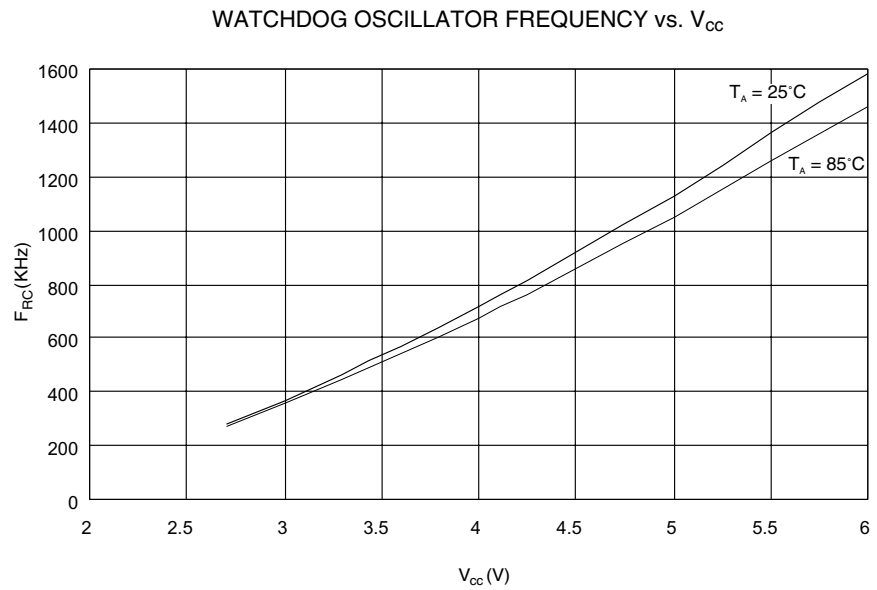
**Figure 84.** Analog Comparator Offset Voltage vs. Common Mode Voltage



**Figure 85.** Analog Comparator Input Leakage Current

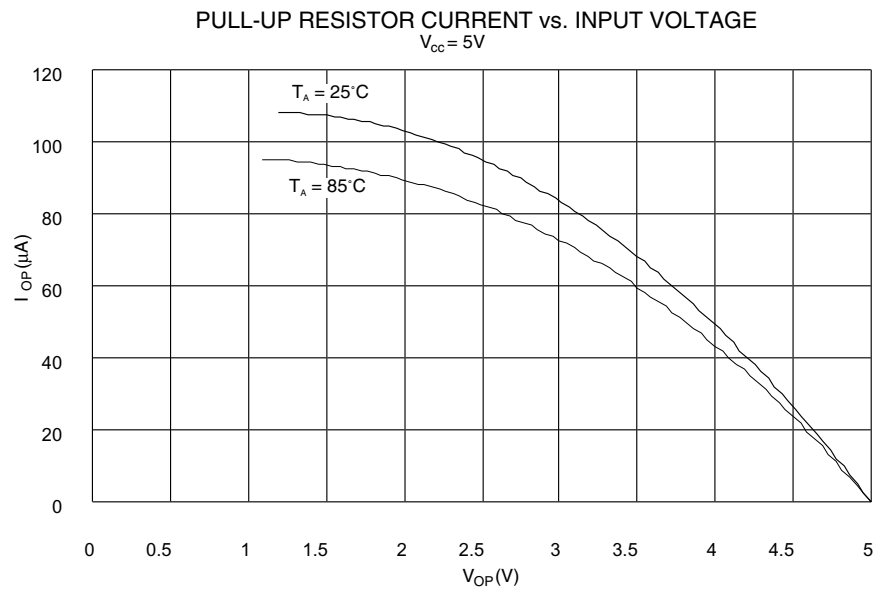


**Figure 86.** Watchdog Oscillator Frequency vs.  $V_{CC}$

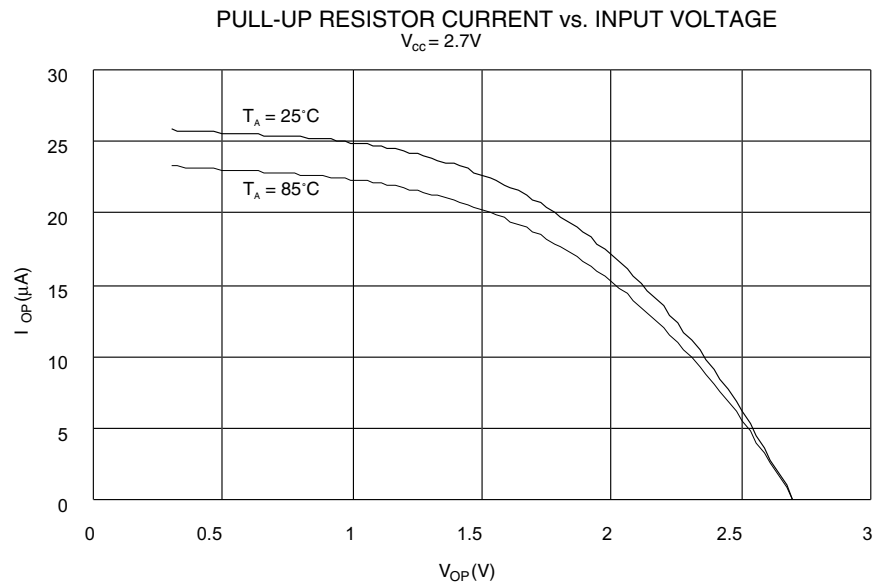


Note: Sink and source capabilities of I/O ports are measured on one pin at a time.

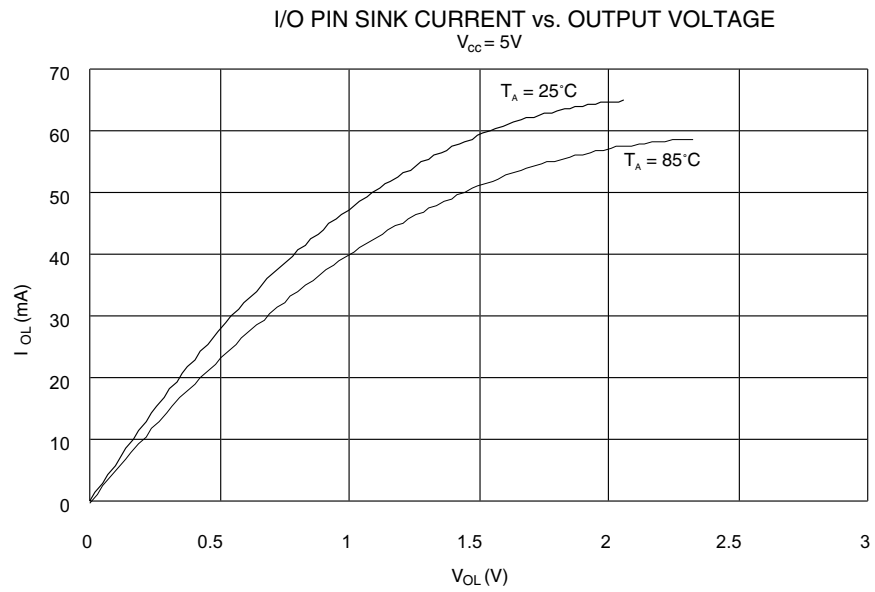
**Figure 87.** Pull-up Resistor Current vs. Input Voltage



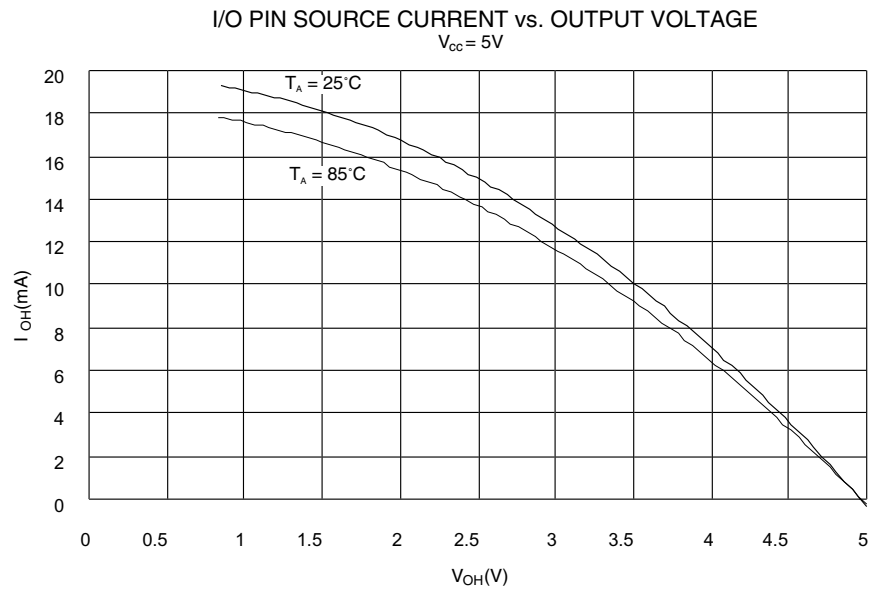
**Figure 88.** Pull-up Resistor Current vs. Input Voltage



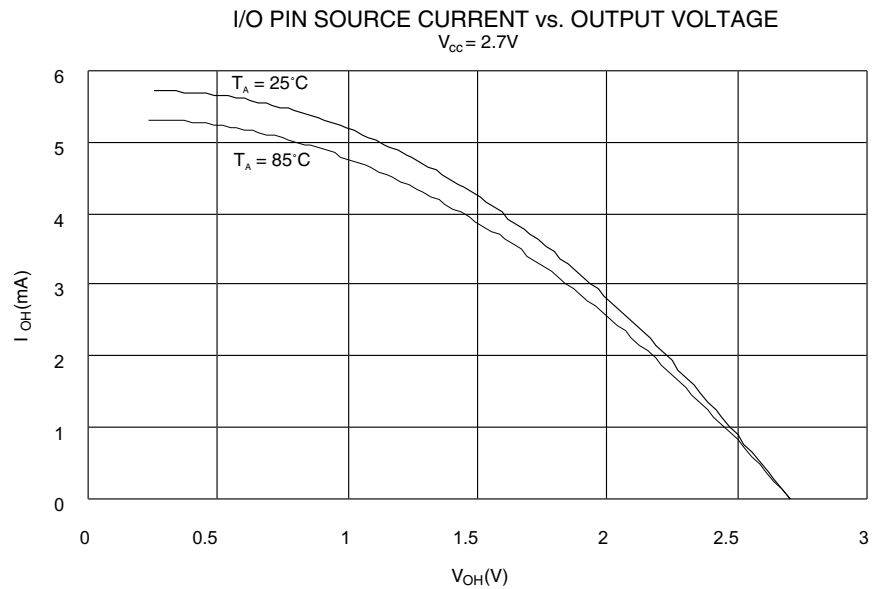
**Figure 89.** I/O Pin Sink Current vs. Output Voltage



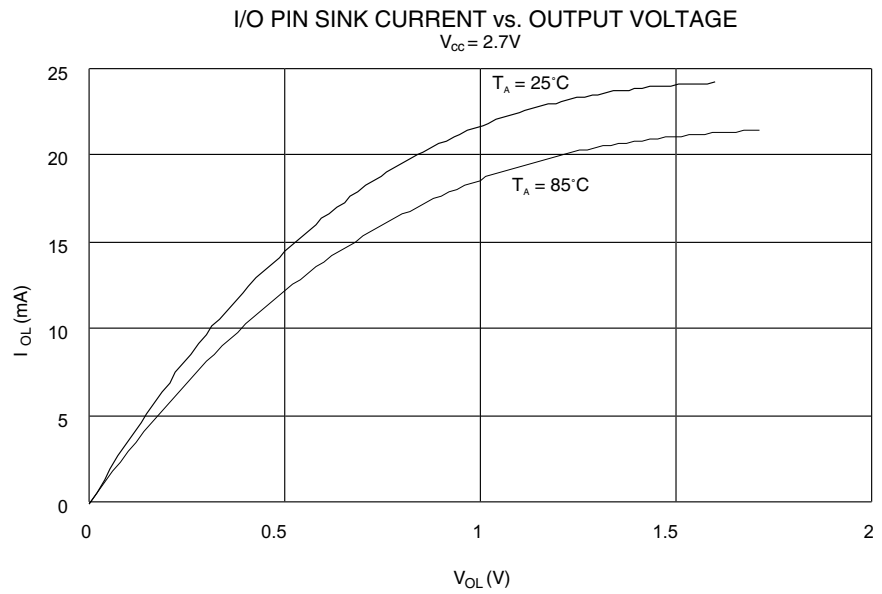
**Figure 90.** I/O Pin Source Current vs. Output Voltage



**Figure 91.** I/O Pin Sink Current vs. Output Voltage



**Figure 92.** I/O Pin Source Current vs. Output Voltage



**Figure 93.** I/O Pin Input Threshold Voltage vs.  $V_{CC}$

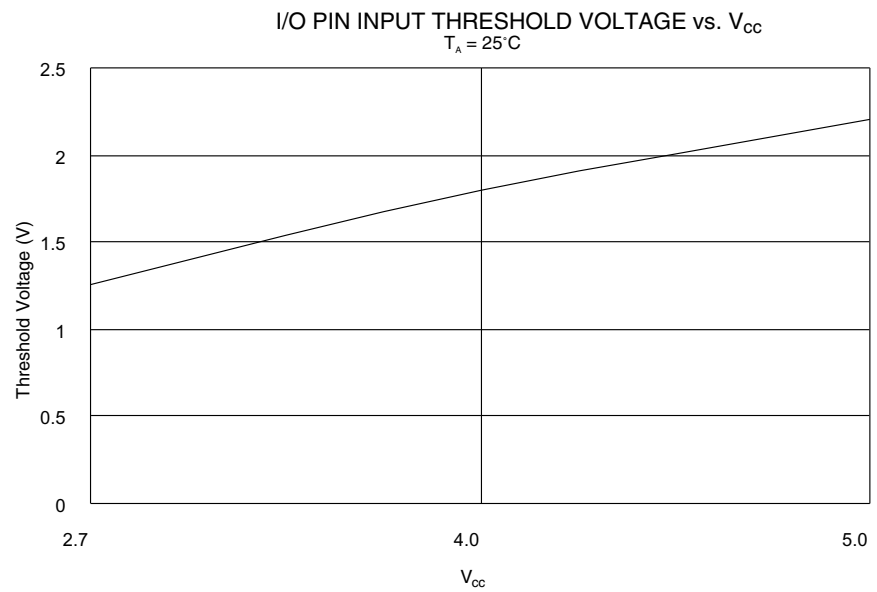
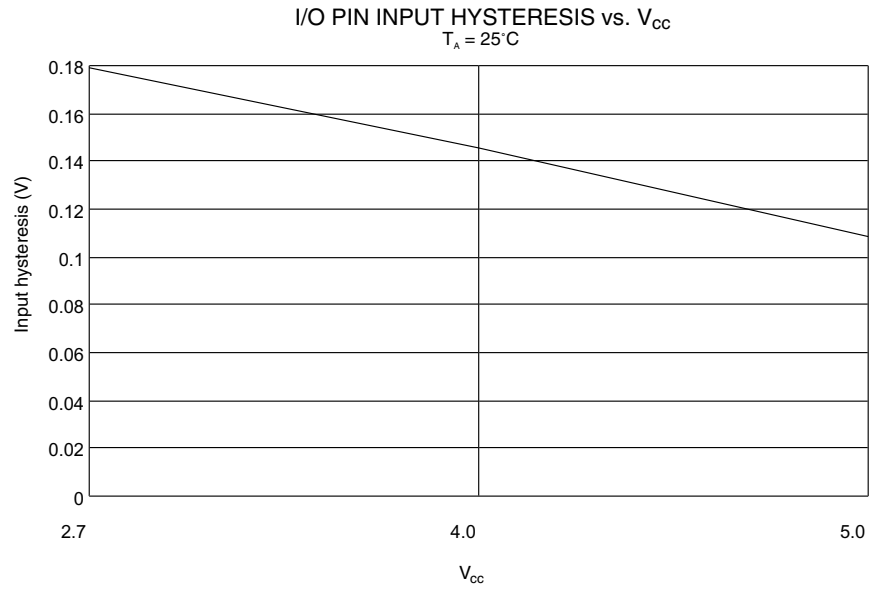


Figure 94. I/O Pin Input Hysteresis vs.  $V_{CC}$





## Register Summary

| Address     | Name     | Bit 7  | Bit 6  | Bit 5  | Bit 4  | Bit 3  | Bit 2  | Bit 1  | Bit 0  | Page    |         |
|-------------|----------|--|--------|--------|--------|--------|--------|--------|--------|---------|---------|
| \$3F (\$5F) | SREG     | I  | T      | H      | S      | V      | N      | Z      | C      | page 19 |         |
| \$3E (\$5E) | SPH      | -  | -      | -      | -      | -      | -      | SP9    | SP8    | page 20 |         |
| \$3D (\$5D) | SPL      | SP7  | SP6    | SP5    | SP4    | SP3    | SP2    | SP1    | SP0    | page 20 |         |
| \$3C (\$5C) | Reserved |  |        |        |        |        |        |        |        |         |         |
| \$3B (\$5B) | GIMSK    | INT1   | INT0   | -      | -      | -      | -      | -      | -      | page 25 |         |
| \$3A (\$5A) | GIFR     | INTF1  | INTF0  | -      | -      | -      | -      | -      | -      | page 26 |         |
| \$39 (\$59) | TIMSK    | OCIE2  | TOIE2  | TICIE1 | OCIE1A | OCIE1B | TOIE1  | -      | TOIE0  | page 26 |         |
| \$38 (\$58) | TIFR     | OCF2   | TOV2   | ICF1   | OCF1A  | OCF1B  | TOV1   | -      | TOV0   | page 27 |         |
| \$37 (\$57) | Reserved |  |        |        |        |        |        |        |        |         |         |
| \$36 (\$56) | Reserved |  |        |        |        |        |        |        |        |         |         |
| \$35 (\$55) | MCUCR    | -  | SE     | SM1    | SM0    | ISC11  | ISC10  | ISC01  | ISC00  | page 29 |         |
| \$34 (\$54) | MCUSR    | -  | -      | -      | -      | -      | -      | EXTRF  | PORF   | page 24 |         |
| \$33 (\$53) | TCCR0    | -  | -      | -      | -      | -      | CS02   | CS01   | CS00   | page 34 |         |
| \$32 (\$52) | TCNT0    | Timer/Counter0 (8 Bits)                              |        |        |        |        |        |        |        | page 34 |         |
| \$31 (\$51) | Reserved |  |        |        |        |        |        |        |        |         |         |
| \$30 (\$50) | Reserved |  |        |        |        |        |        |        |        |         |         |
| \$2F (\$4F) | TCCR1A   | COM1A1   | COM1A0 | COM1B1 | COM1B0 | -      | -      | PWM11  | PWM10  | page 36 |         |
| \$2E (\$4E) | TCCR1B   | ICNC1  | ICES1  | -      | -      | CTC1   | CS12   | CS11   | CS10   | page 37 |         |
| \$2D (\$4D) | TCNT1H   | Timer/Counter1 – Counter Register High Byte          |        |        |        |        |        |        |        | page 38 |         |
| \$2C (\$4C) | TCNT1L   | Timer/Counter1 – Counter Register Low Byte           |        |        |        |        |        |        |        | page 38 |         |
| \$2B (\$4B) | OCR1AH   | Timer/Counter1 – Output Compare Register A High Byte |        |        |        |        |        |        |        | page 39 |         |
| \$2A (\$4A) | OCR1AL   | Timer/Counter1 – Output Compare Register A Low Byte  |        |        |        |        |        |        |        | page 39 |         |
| \$29 (\$49) | OCR1BH   | Timer/Counter1 – Output Compare Register B High Byte |        |        |        |        |        |        |        | page 39 |         |
| \$28 (\$48) | OCR1BL   | Timer/Counter1 – Output Compare Register B Low Byte  |        |        |        |        |        |        |        | page 39 |         |
| \$27 (\$47) | ICR1H    | Timer/Counter1 – Input Capture Register High Byte    |        |        |        |        |        |        |        | page 40 |         |
| \$26 (\$46) | ICR1L    | Timer/Counter1 – Input Capture Register Low Byte     |        |        |        |        |        |        |        | page 40 |         |
| \$25 (\$45) | TCCR2    | -  | PWM2   | COM21  | COM20  | CTC2   | CS22   | CS21   | CS20   | page 43 |         |
| \$24 (\$44) | TCNT2    | Timer/Counter2 (8 Bits)                              |        |        |        |        |        |        |        | page 44 |         |
| \$23 (\$43) | OCR2     | Timer/Counter2 Output Compare Register               |        |        |        |        |        |        |        | page 44 |         |
| \$22 (\$42) | ASSR     | -  | -      | -      | -      | AS2    | TCN2UB | OCR2UB | TCR2UB | page 46 |         |
| \$21 (\$41) | WDTCR    | -  | -      | -      | WDTOE  | WDE    | WDP2   | WDP1   | WDP0   | page 49 |         |
| \$20 (\$40) | Reserved |  |        |        |        |        |        |        |        |         |         |
| \$1F (\$3F) | EEARH    |  |        |        |        |        |        |        |        | EEAR8   | page 51 |
| \$1E (\$3E) | EEARL    | EEAR7  | EEAR6  | EEAR5  | EEAR4  | EEAR3  | EEAR2  | EEAR1  | EEAR0  | page 51 |         |
| \$1D (\$3D) | EEDR     | EEPROM Data Register                                 |        |        |        |        |        |        |        | page 51 |         |
| \$1C (\$3C) | EEDR     | -  | -      | -      | -      | EERIE  | EEMWE  | EEWE   | EERE   | page 51 |         |
| \$1B (\$3B) | PORTA    | PORTA7   | PORTA6 | PORTA5 | PORTA4 | PORTA3 | PORTA2 | PORTA1 | PORTA0 | page 76 |         |
| \$1A (\$3A) | DDRA     | DDA7   | DDA6   | DDA5   | DDA4   | DDA3   | DDA2   | DDA1   | DDA0   | page 76 |         |
| \$19 (\$39) | PINA     | PINA7  | PINA6  | PINA5  | PINA4  | PINA3  | PINA2  | PINA1  | PINA0  | page 76 |         |
| \$18 (\$38) | PORTB    | PORTB7   | PORTB6 | PORTB5 | PORTB4 | PORTB3 | PORTB2 | PORTB1 | PORTB0 | page 78 |         |
| \$17 (\$37) | DDRB     | ddb7   | ddb6   | ddb5   | ddb4   | ddb3   | ddb2   | ddb1   | ddb0   | page 78 |         |
| \$16 (\$36) | PINB     | PINB7  | PINB6  | PINB5  | PINB4  | PINB3  | PINB2  | PINB1  | PINB0  | page 78 |         |
| \$15 (\$35) | PORTC    | PORTC7   | PORTC6 | PORTC5 | PORTC4 | PORTC3 | PORTC2 | PORTC1 | PORTC0 | page 84 |         |
| \$14 (\$34) | DDRC     | DDC7   | DDC6   | DDC5   | DDC4   | DDC3   | DDC2   | DDC1   | DDC0   | page 84 |         |
| \$13 (\$33) | PINC     | PINC7  | PINC6  | PINC5  | PINC4  | PINC3  | PINC2  | PINC1  | PINC0  | page 84 |         |
| \$12 (\$32) | PORTD    | PORTD7   | PORTD6 | PORTD5 | PORTD4 | PORTD3 | PORTD2 | PORTD1 | PORTD0 | page 87 |         |
| \$11 (\$31) | DDRD     | DDD7   | DDD6   | DDD5   | DDD4   | DDD3   | DDD2   | DDD1   | DDD0   | page 87 |         |
| \$10 (\$30) | PIND     | PIND7  | PIND6  | PIND5  | PIND4  | PIND3  | PIND2  | PIND1  | PIND0  | page 87 |         |
| \$0F (\$2F) | SPDR     | SPI Data Register                                    |        |        |        |        |        |        |        | page 58 |         |
| \$0E (\$2E) | SPSR     | SPIF   | WCOL   | -      | -      | -      | -      | -      | -      | page 58 |         |
| \$0D (\$2D) | SPCR     | SPIE   | SPE    | DORD   | MSTR   | CPOL   | CPHA   | SPR1   | SPR0   | page 57 |         |
| \$0C (\$2C) | UDR      | UART I/O Data Register                               |        |        |        |        |        |        |        | page 62 |         |
| \$0B (\$2B) | USR      | RXC  | TXC    | UDRE   | FE     | OR     | -      | -      | -      | page 62 |         |
| \$0A (\$2A) | UCR      | RXCIE  | TXCIE  | UDRIE  | RXEN   | TXEN   | CHR9   | RXB8   | TXB8   | page 63 |         |
| \$09 (\$29) | UBRR     | UART Baud Rate Register                              |        |        |        |        |        |        |        | page 65 |         |
| \$08 (\$28) | ACSR     | ACD  | -      | ACO    | ACI    | ACIE   | ACIC   | ACIS1  | ACIS0  | page 66 |         |
| \$07 (\$27) | ADMUX    | -  | -      | -      | -      | -      | MUX2   | MUX1   | MUX0   | page 72 |         |
| \$06 (\$26) | ADCSR    | ADEN   | ADSC   | ADFR   | ADIF   | ADIE   | ADPS2  | ADPS1  | ADPS0  | page 72 |         |
| \$05 (\$25) | ADCH     | -  | -      | -      | -      | -      | -      | ADC9   | ADC8   | page 73 |         |
| \$04 (\$24) | ADCL     | ADC7   | ADC6   | ADC5   | ADC4   | ADC3   | ADC2   | ADC1   | ADC0   | page 73 |         |
| \$03 (\$20) | Reserved |  |        |        |        |        |        |        |        |         |         |
| \$02 (\$22) | Reserved |  |        |        |        |        |        |        |        |         |         |
| \$01 (\$21) | Reserved |  |        |        |        |        |        |        |        |         |         |
| \$00 (\$20) | Reserved |  |        |        |        |        |        |        |        |         |         |

- Notes:
1. For compatibility with future devices, reserved bits should be written to zero if accessed. Reserved I/O memory addresses should never be written.
  2. Some of the status flags are cleared by writing a logical “1” to them. Note that the CBI and SBI instructions will operate on all bits in the I/O register, writing a one back into any flag read as set, thus clearing the flag. The CBI and SBI instructions work with registers \$00 to \$1F only.



## Instruction Set Summary

| Mnemonic                                 | Operands | Description                            | Operation   | Flags     | # Clocks |
|--|----------|--|---|-----------|----------|
| <b>ARITHMETIC AND LOGIC INSTRUCTIONS</b> |          |  |   |           |          |
| ADD                                      | Rd, Rr   | Add Two Registers                      | $Rd \leftarrow Rd + Rr$                                   | Z,C,N,V,H | 1        |
| ADC                                      | Rd, Rr   | Add with Carry Two Registers           | $Rd \leftarrow Rd + Rr + C$                               | Z,C,N,V,H | 1        |
| ADIW                                     | Rdl, K   | Add Immediate to Word                  | $Rdh:Rdl \leftarrow Rdh:Rdl + K$                          | Z,C,N,V,S | 2        |
| SUB                                      | Rd, Rr   | Subtract Two Registers                 | $Rd \leftarrow Rd - Rr$                                   | Z,C,N,V,H | 1        |
| SUBI                                     | Rd, K    | Subtract Constant from Register        | $Rd \leftarrow Rd - K$                                    | Z,C,N,V,H | 1        |
| SBC                                      | Rd, Rr   | Subtract with Carry Two Registers      | $Rd \leftarrow Rd - Rr - C$                               | Z,C,N,V,H | 1        |
| SBCI                                     | Rd, K    | Subtract with Carry Constant from Reg. | $Rd \leftarrow Rd - K - C$                                | Z,C,N,V,H | 1        |
| SBIW                                     | Rdl, K   | Subtract Immediate from Word           | $Rdh:Rdl \leftarrow Rdh:Rdl - K$                          | Z,C,N,V,S | 2        |
| AND                                      | Rd, Rr   | Logical AND Registers                  | $Rd \leftarrow Rd \cdot Rr$                               | Z,N,V     | 1        |
| ANDI                                     | Rd, K    | Logical AND Register and Constant      | $Rd \leftarrow Rd \cdot K$                                | Z,N,V     | 1        |
| OR                                       | Rd, Rr   | Logical OR Registers                   | $Rd \leftarrow Rd \vee Rr$                                | Z,N,V     | 1        |
| ORI                                      | Rd, K    | Logical OR Register and Constant       | $Rd \leftarrow Rd \vee K$                                 | Z,N,V     | 1        |
| EOR                                      | Rd, Rr   | Exclusive OR Registers                 | $Rd \leftarrow Rd \oplus Rr$                              | Z,N,V     | 1        |
| COM                                      | Rd       | One's Complement                       | $Rd \leftarrow \text{SFF} - Rd$                           | Z,C,N,V   | 1        |
| NEG                                      | Rd       | Two's Complement                       | $Rd \leftarrow \$00 - Rd$                                 | Z,C,N,V,H | 1        |
| SBR                                      | Rd, K    | Set Bit(s) in Register                 | $Rd \leftarrow Rd \vee K$                                 | Z,N,V     | 1        |
| CBR                                      | Rd, K    | Clear Bit(s) in Register               | $Rd \leftarrow Rd \cdot (\text{SFF} - K)$                 | Z,N,V     | 1        |
| INC                                      | Rd       | Increment                              | $Rd \leftarrow Rd + 1$                                    | Z,N,V     | 1        |
| DEC                                      | Rd       | Decrement                              | $Rd \leftarrow Rd - 1$                                    | Z,N,V     | 1        |
| TST                                      | Rd       | Test for Zero or Minus                 | $Rd \leftarrow Rd \cdot Rd$                               | Z,N,V     | 1        |
| CLR                                      | Rd       | Clear Register                         | $Rd \leftarrow Rd \oplus Rd$                              | Z,N,V     | 1        |
| SER                                      | Rd       | Set Register                           | $Rd \leftarrow \text{SFF}$                                | None      | 1        |
| <b>BRANCH INSTRUCTIONS</b>               |          |  |   |           |          |
| RJMP                                     | k        | Relative Jump                          | $PC \leftarrow PC + k + 1$                                | None      | 2        |
| IJMP                                     |          | Indirect Jump to (Z)                   | $PC \leftarrow Z$   | None      | 2        |
| RCALL                                    | k        | Relative Subroutine Call               | $PC \leftarrow PC + k + 1$                                | None      | 3        |
| ICALL                                    |          | Indirect Call to (Z)                   | $PC \leftarrow Z$   | None      | 3        |
| RET                                      |          | Subroutine Return                      | $PC \leftarrow \text{STACK}$                              | None      | 4        |
| RETI                                     |          | Interrupt Return                       | $PC \leftarrow \text{STACK}$                              | I         | 4        |
| CPSE                                     | Rd, Rr   | Compare, Skip if Equal                 | if $(Rd = Rr)$ $PC \leftarrow PC + 2$ or 3                | None      | 1/2/3    |
| CP                                       | Rd, Rr   | Compare                                | $Rd - Rr$   | Z,N,V,C,H | 1        |
| CPC                                      | Rd, Rr   | Compare with Carry                     | $Rd - Rr - C$   | Z,N,V,C,H | 1        |
| CPI                                      | Rd, K    | Compare Register with Immediate        | $Rd - K$  | Z,N,V,C,H | 1        |
| SBRC                                     | Rr, b    | Skip if Bit in Register Cleared        | if $(Rr(b) = 0)$ $PC \leftarrow PC + 2$ or 3              | None      | 1/2/3    |
| SBRB                                     | Rr, b    | Skip if Bit in Register is Set         | if $(Rr(b) = 1)$ $PC \leftarrow PC + 2$ or 3              | None      | 1/2/3    |
| SBIC                                     | P, b     | Skip if Bit in I/O Register Cleared    | if $(P(b) = 0)$ $PC \leftarrow PC + 2$ or 3               | None      | 1/2/3    |
| SBIS                                     | P, b     | Skip if Bit in I/O Register is Set     | if $(P(b) = 1)$ $PC \leftarrow PC + 2$ or 3               | None      | 1/2/3    |
| BRBS                                     | s, k     | Branch if Status Flag Set              | if $(\text{SREG}(s) = 1)$ then $PC \leftarrow PC + k + 1$ | None      | 1/2      |
| BRBC                                     | s, k     | Branch if Status Flag Cleared          | if $(\text{SREG}(s) = 0)$ then $PC \leftarrow PC + k + 1$ | None      | 1/2      |
| BREQ                                     | k        | Branch if Equal                        | if $(Z = 1)$ then $PC \leftarrow PC + k + 1$              | None      | 1/2      |
| BRNE                                     | k        | Branch if Not Equal                    | if $(Z = 0)$ then $PC \leftarrow PC + k + 1$              | None      | 1/2      |
| BRCS                                     | k        | Branch if Carry Set                    | if $(C = 1)$ then $PC \leftarrow PC + k + 1$              | None      | 1/2      |
| BRCC                                     | k        | Branch if Carry Cleared                | if $(C = 0)$ then $PC \leftarrow PC + k + 1$              | None      | 1/2      |
| BRSH                                     | k        | Branch if Same or Higher               | if $(C = 0)$ then $PC \leftarrow PC + k + 1$              | None      | 1/2      |
| BRLO                                     | k        | Branch if Lower                        | if $(C = 1)$ then $PC \leftarrow PC + k + 1$              | None      | 1/2      |
| BRMI                                     | k        | Branch if Minus                        | if $(N = 1)$ then $PC \leftarrow PC + k + 1$              | None      | 1/2      |
| BRPL                                     | k        | Branch if Plus                         | if $(N = 0)$ then $PC \leftarrow PC + k + 1$              | None      | 1/2      |
| BRGE                                     | k        | Branch if Greater or Equal, Signed     | if $(N \oplus V = 0)$ then $PC \leftarrow PC + k + 1$     | None      | 1/2      |
| BRLT                                     | k        | Branch if Less Than Zero, Signed       | if $(N \oplus V = 1)$ then $PC \leftarrow PC + k + 1$     | None      | 1/2      |
| BRHS                                     | k        | Branch if Half-carry Flag Set          | if $(H = 1)$ then $PC \leftarrow PC + k + 1$              | None      | 1/2      |
| BRHC                                     | k        | Branch if Half-carry Flag Cleared      | if $(H = 0)$ then $PC \leftarrow PC + k + 1$              | None      | 1/2      |
| BRTS                                     | k        | Branch if T-flag Set                   | if $(T = 1)$ then $PC \leftarrow PC + k + 1$              | None      | 1/2      |
| BRTC                                     | k        | Branch if T-flag Cleared               | if $(T = 0)$ then $PC \leftarrow PC + k + 1$              | None      | 1/2      |
| BRVS                                     | k        | Branch if Overflow Flag is Set         | if $(V = 1)$ then $PC \leftarrow PC + k + 1$              | None      | 1/2      |
| BRVC                                     | k        | Branch if Overflow Flag is Cleared     | if $(V = 0)$ then $PC \leftarrow PC + k + 1$              | None      | 1/2      |
| BRIE                                     | k        | Branch if Interrupt Enabled            | if $(I = 1)$ then $PC \leftarrow PC + k + 1$              | None      | 1/2      |
| BRID                                     | k        | Branch if Interrupt Disabled           | if $(I = 0)$ then $PC \leftarrow PC + k + 1$              | None      | 1/2      |
| <b>DATA TRANSFER INSTRUCTIONS</b>        |          |  |   |           |          |
| MOV                                      | Rd, Rr   | Move between Registers                 | $Rd \leftarrow Rr$  | None      | 1        |
| LDI                                      | Rd, K    | Load Immediate                         | $Rd \leftarrow K$   | None      | 1        |
| LD                                       | Rd, X    | Load Indirect                          | $Rd \leftarrow (X)$                                       | None      | 2        |
| LD                                       | Rd, X+   | Load Indirect and Post-inc.            | $Rd \leftarrow (X), X \leftarrow X + 1$                   | None      | 2        |
| LD                                       | Rd, -X   | Load Indirect and Pre-dec.             | $X \leftarrow X - 1, Rd \leftarrow (X)$                   | None      | 2        |

Instruction Set Summary (Continued)

| Mnemonic                             | Operands | Description                      | Operation  | Flags   | # Clocks |
|--------------------------------------|----------|----------------------------------|--|---------|----------|
| LD                                   | Rd, Y    | Load Indirect                    | $Rd \leftarrow (Y)$  | None    | 2        |
| LD                                   | Rd, Y+   | Load Indirect and Post-inc.      | $Rd \leftarrow (Y), Y \leftarrow Y + 1$                            | None    | 2        |
| LD                                   | Rd, -Y   | Load Indirect and Pre-dec.       | $Y \leftarrow Y - 1, Rd \leftarrow (Y)$                            | None    | 2        |
| LDD                                  | Rd, Y+q  | Load Indirect with Displacement  | $Rd \leftarrow (Y + q)$  | None    | 2        |
| LD                                   | Rd, Z    | Load Indirect                    | $Rd \leftarrow (Z)$  | None    | 2        |
| LD                                   | Rd, Z+   | Load Indirect and Post-inc.      | $Rd \leftarrow (Z), Z \leftarrow Z + 1$                            | None    | 2        |
| LD                                   | Rd, -Z   | Load Indirect and Pre-dec.       | $Z \leftarrow Z - 1, Rd \leftarrow (Z)$                            | None    | 2        |
| LDD                                  | Rd, Z+q  | Load Indirect with Displacement  | $Rd \leftarrow (Z + q)$  | None    | 2        |
| LDS                                  | Rd, k    | Load Direct from SRAM            | $Rd \leftarrow (k)$  | None    | 2        |
| ST                                   | X, Rr    | Store Indirect                   | $(X) \leftarrow Rr$  | None    | 2        |
| ST                                   | X+, Rr   | Store Indirect and Post-inc.     | $(X) \leftarrow Rr, X \leftarrow X + 1$                            | None    | 2        |
| ST                                   | -X, Rr   | Store Indirect and Pre-dec.      | $X \leftarrow X - 1, (X) \leftarrow Rr$                            | None    | 2        |
| ST                                   | Y, Rr    | Store Indirect                   | $(Y) \leftarrow Rr$  | None    | 2        |
| ST                                   | Y+, Rr   | Store Indirect and Post-inc.     | $(Y) \leftarrow Rr, Y \leftarrow Y + 1$                            | None    | 2        |
| ST                                   | -Y, Rr   | Store Indirect and Pre-dec.      | $Y \leftarrow Y - 1, (Y) \leftarrow Rr$                            | None    | 2        |
| STD                                  | Y+q, Rr  | Store Indirect with Displacement | $(Y + q) \leftarrow Rr$  | None    | 2        |
| ST                                   | Z, Rr    | Store Indirect                   | $(Z) \leftarrow Rr$  | None    | 2        |
| ST                                   | Z+, Rr   | Store Indirect and Post-inc.     | $(Z) \leftarrow Rr, Z \leftarrow Z + 1$                            | None    | 2        |
| ST                                   | -Z, Rr   | Store Indirect and Pre-dec.      | $Z \leftarrow Z - 1, (Z) \leftarrow Rr$                            | None    | 2        |
| STD                                  | Z+q, Rr  | Store Indirect with Displacement | $(Z + q) \leftarrow Rr$  | None    | 2        |
| STS                                  | k, Rr    | Store Direct to SRAM             | $(k) \leftarrow Rr$  | None    | 2        |
| LPM                                  |          | Load Program Memory              | $R0 \leftarrow (Z)$  | None    | 3        |
| IN                                   | Rd, P    | In Port                          | $Rd \leftarrow P$  | None    | 1        |
| OUT                                  | P, Rr    | Out Port                         | $P \leftarrow Rr$  | None    | 1        |
| PUSH                                 | Rr       | Push Register on Stack           | $STACK \leftarrow Rr$  | None    | 2        |
| POP                                  | Rd       | Pop Register from Stack          | $Rd \leftarrow STACK$  | None    | 2        |
| <b>BIT AND BIT-TEST INSTRUCTIONS</b> |          |                                  |  |         |          |
| SBI                                  | P, b     | Set Bit in I/O Register          | $I/O(P,b) \leftarrow 1$  | None    | 2        |
| CBI                                  | P, b     | Clear Bit in I/O Register        | $I/O(P,b) \leftarrow 0$  | None    | 2        |
| LSL                                  | Rd       | Logical Shift Left               | $Rd(n+1) \leftarrow Rd(n), Rd(0) \leftarrow 0$                     | Z,C,N,V | 1        |
| LSR                                  | Rd       | Logical Shift Right              | $Rd(n) \leftarrow Rd(n+1), Rd(7) \leftarrow 0$                     | Z,C,N,V | 1        |
| ROL                                  | Rd       | Rotate Left through Carry        | $Rd(0) \leftarrow C, Rd(n+1) \leftarrow Rd(n), C \leftarrow Rd(7)$ | Z,C,N,V | 1        |
| ROR                                  | Rd       | Rotate Right through Carry       | $Rd(7) \leftarrow C, Rd(n) \leftarrow Rd(n+1), C \leftarrow Rd(0)$ | Z,C,N,V | 1        |
| ASR                                  | Rd       | Arithmetic Shift Right           | $Rd(n) \leftarrow Rd(n+1), n = 0..6$                               | Z,C,N,V | 1        |
| SWAP                                 | Rd       | Swap Nibbles                     | $Rd(3..0) \leftarrow Rd(7..4), Rd(7..4) \leftarrow Rd(3..0)$       | None    | 1        |
| BSET                                 | s        | Flag Set                         | $SREG(s) \leftarrow 1$   | SREG(s) | 1        |
| BCLR                                 | s        | Flag Clear                       | $SREG(s) \leftarrow 0$   | SREG(s) | 1        |
| BST                                  | Rr, b    | Bit Store from Register to T     | $T \leftarrow Rr(b)$   | T       | 1        |
| BLD                                  | Rd, b    | Bit Load from T to Register      | $Rd(b) \leftarrow T$   | None    | 1        |
| SEC                                  |          | Set Carry                        | $C \leftarrow 1$   | C       | 1        |
| CLC                                  |          | Clear Carry                      | $C \leftarrow 0$   | C       | 1        |
| SEN                                  |          | Set Negative Flag                | $N \leftarrow 1$   | N       | 1        |
| CLN                                  |          | Clear Negative Flag              | $N \leftarrow 0$   | N       | 1        |
| SEZ                                  |          | Set Zero Flag                    | $Z \leftarrow 1$   | Z       | 1        |
| CLZ                                  |          | Clear Zero Flag                  | $Z \leftarrow 0$   | Z       | 1        |
| SEI                                  |          | Global Interrupt Enable          | $I \leftarrow 1$   | I       | 1        |
| CLI                                  |          | Global Interrupt Disable         | $I \leftarrow 0$   | I       | 1        |
| SES                                  |          | Set Signed Test Flag             | $S \leftarrow 1$   | S       | 1        |
| CLS                                  |          | Clear Signed Test Flag           | $S \leftarrow 0$   | S       | 1        |
| SEV                                  |          | Set Two's Complement Overflow    | $V \leftarrow 1$   | V       | 1        |
| CLV                                  |          | Clear Two's Complement Overflow  | $V \leftarrow 0$   | V       | 1        |
| SET                                  |          | Set T in SREG                    | $T \leftarrow 1$   | T       | 1        |
| CLT                                  |          | Clear T in SREG                  | $T \leftarrow 0$   | T       | 1        |
| SEH                                  |          | Set Half-carry Flag in SREG      | $H \leftarrow 1$   | H       | 1        |
| CLH                                  |          | Clear Half-carry Flag in SREG    | $H \leftarrow 0$   | H       | 1        |
| NOP                                  |          | No Operation                     |  | None    | 1        |
| SLEEP                                |          | Sleep                            | (see specific descr. for Sleep function)                           | None    | 1        |
| WDR                                  |          | Watchdog Reset                   | (see specific descr. for WDR/timer)                                | None    | 1        |





## Ordering Information

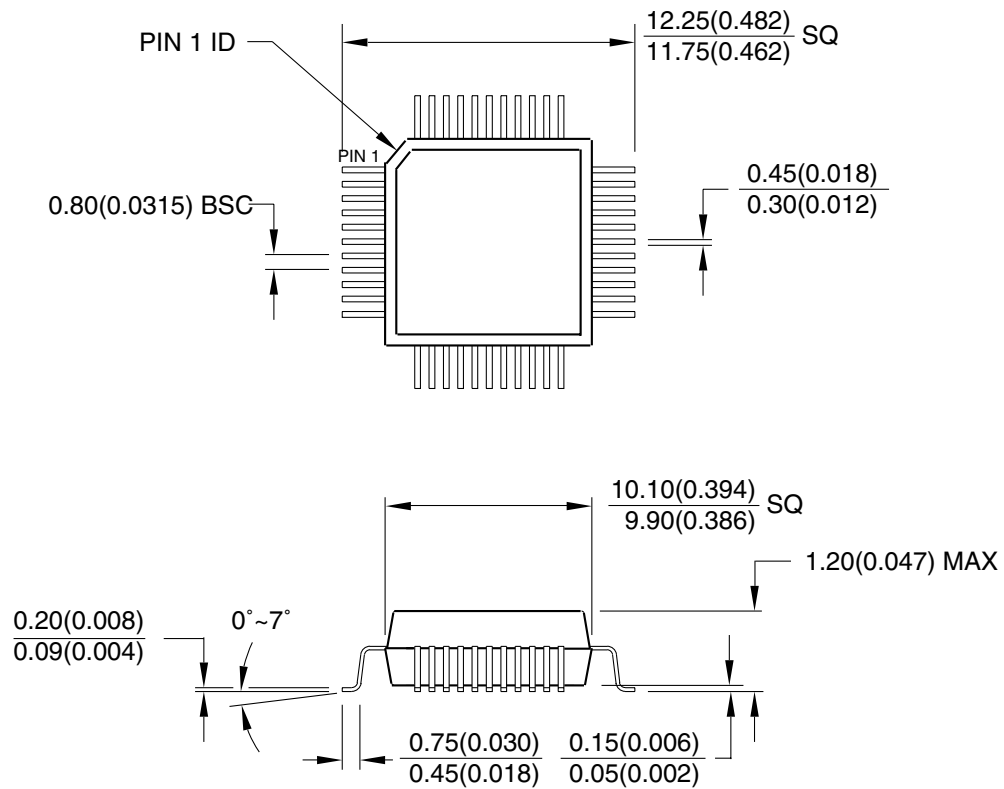
| Power Supply | Speed (MHz) | Ordering Code  | Package | Operation Range               |
|--------------|-------------|----------------|---------|-------------------------------|
| 2.7 - 6.0V   | 4           | AT90LS8535-4AC | 44A     | Commercial<br>(0°C to 70°C)   |
|              |             | AT90LS8535-4JC | 44J     |                               |
|              |             | AT90LS8535-4PC | 40P6    |                               |
|              |             | AT90LS8535-4MC | 44M1    |                               |
|              | 4           | AT90LS8535-4AI | 44A     | Industrial<br>(-40°C to 85°C) |
|              |             | AT90LS8535-4JI | 44J     |                               |
|              |             | AT90LS8535-4PI | 40P6    |                               |
|              |             | AT90LS8535-4MI | 44M1    |                               |
| 4.0 - 6.0V   | 8           | AT90S8535-8AC  | 44A     | Commercial<br>(0°C to 70°C)   |
|              |             | AT90S8535-8JC  | 44J     |                               |
|              |             | AT90S8535-8PC  | 40P6    |                               |
|              |             | AT90LS8535-8MC | 44M1    |                               |
|              | 8           | AT90S8535-8AI  | 44A     | Industrial<br>(-40°C to 85°C) |
|              |             | AT90S8535-8JI  | 44J     |                               |
|              |             | AT90S8535-8PI  | 40P6    |                               |
|              |             | AT90LS8535-8MI | 44M1    |                               |

| Package Type |   |
|--------------|---|
| <b>44A</b>   | 44-lead, Thin (1.0 mm) Plastic Gull Wing Quad Flat Package (TQFP)               |
| <b>44J</b>   | 44-lead, Plastic J-leaded Chip Carrier (PLCC)                                   |
| <b>40P6</b>  | 40-lead, 0.600" Wide, Plastic Dual Inline Package (PDIP)                        |
| <b>44M1</b>  | 44-pad, 7 x 7 x 1.0 mm body, lead pitch 0.50 mm, Micro Lead Frame Package (MLF) |

Packaging Information

44A

44-lead, Thin (1.0mm) Plastic Quad Flat Package  
 (TQFP), 10x10mm body, 2.0mm footprint, 0.8mm pitch.  
 Dimension in Millimeters and (Inches)\*  
 JEDEC STANDARD MS-026 ACB

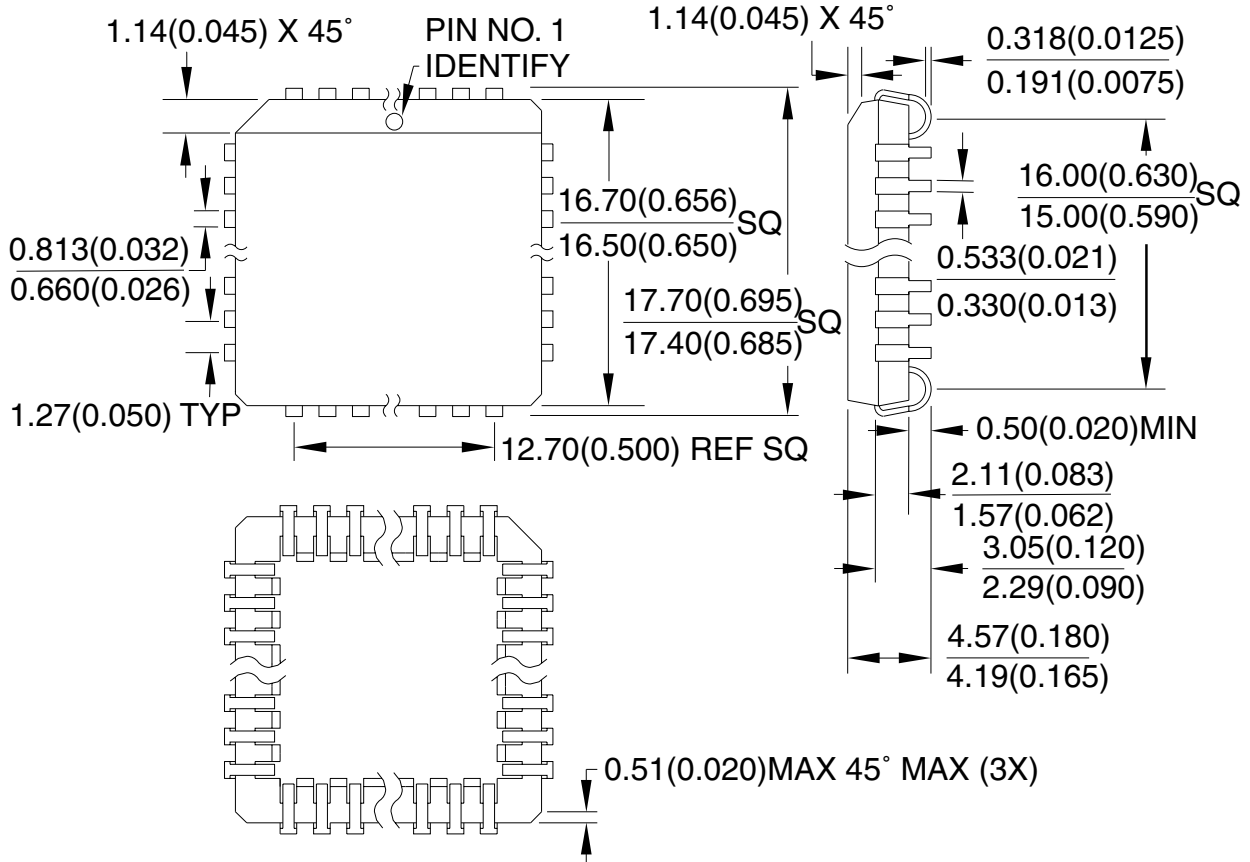


\*Controlling dimension: millimeter

REV. A 04/11/2001

44J

44J, 44-lead, Plastic J-leaded Chip Carrier (PLCC)  
 Dimensions in Millimeters and (Inches)\*  
 JEDEC STANDARD MS-018 AC

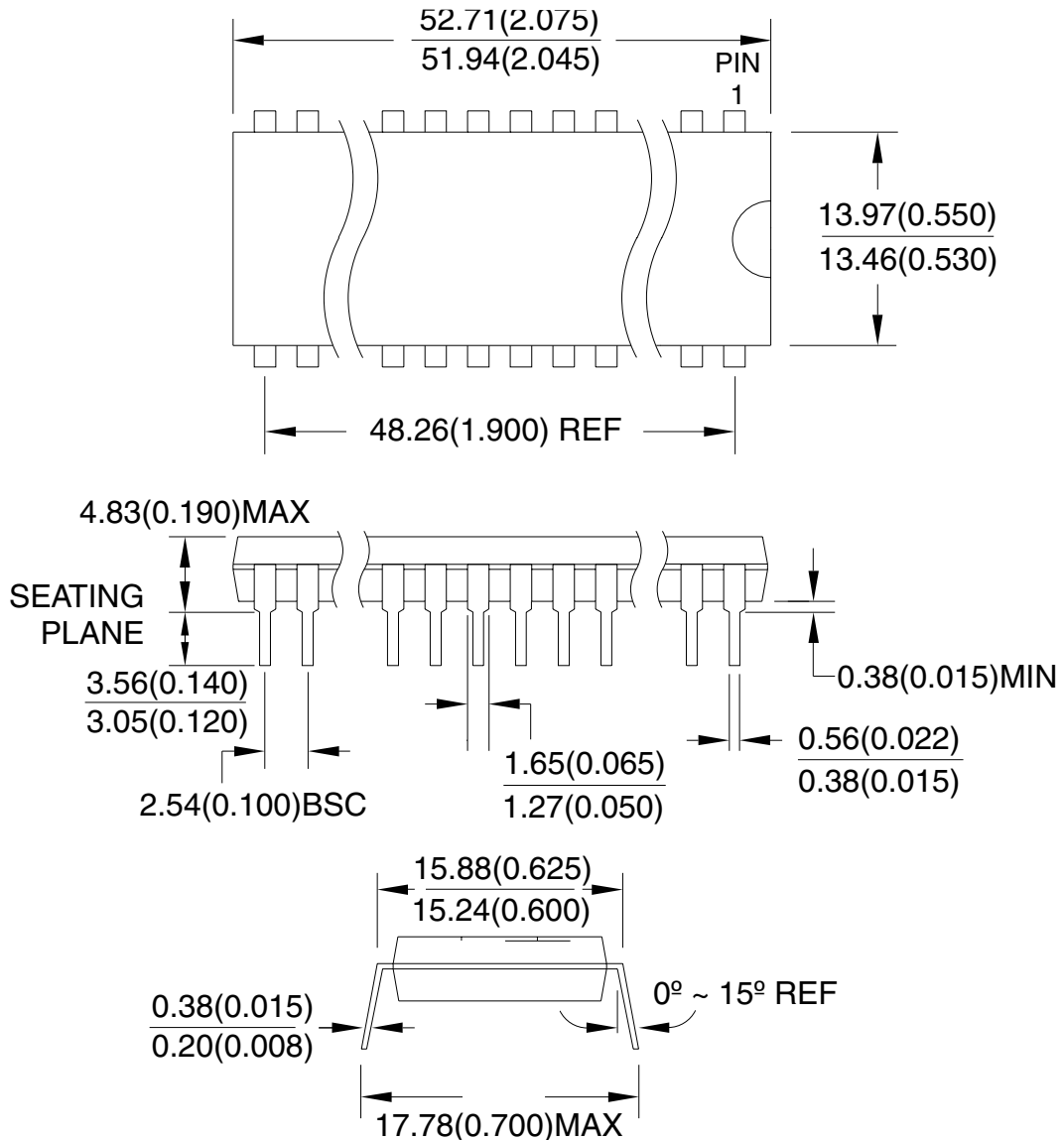


\*Controlling dimensions: Inches

REV. A 04/11/2001

40P6

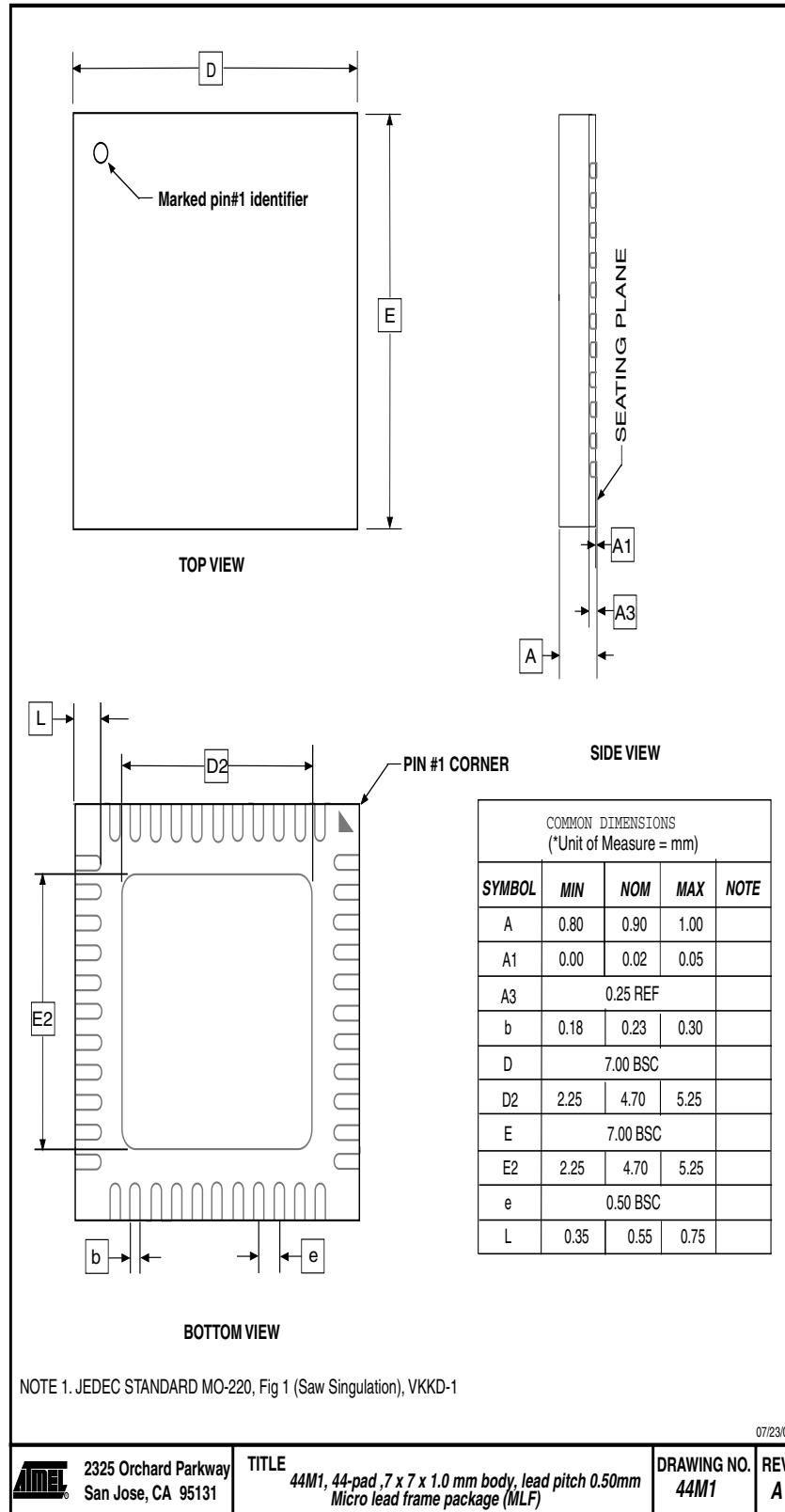
40-lead, Plastic Dual Inline  
 Package (PDIP), 0.600" wide  
 Dimension in Millimeters and (Inches)\*  
 JEDEC STANDARD MS-011 AC



\*Controlling dimension: Inches

REV. A 04/11/2001

44M1





## Atmel Headquarters

*Corporate Headquarters*  
2325 Orchard Parkway  
San Jose, CA 95131  
TEL (408) 441-0311  
FAX (408) 487-2600

### *Europe*

Atmel SarL  
Route des Arsenaux 41  
Casa Postale 80  
CH-1705 Fribourg  
Switzerland  
TEL (41) 26-426-5555  
FAX (41) 26-426-5500

### *Asia*

Atmel Asia, Ltd.  
Room 1219  
Chinachem Golden Plaza  
77 Mody Road Tsimhatsui  
East Kowloon  
Hong Kong  
TEL (852) 2721-9778  
FAX (852) 2722-1369

### *Japan*

Atmel Japan K.K.  
9F, Tonetsu Shinkawa Bldg.  
1-24-8 Shinkawa  
Chuo-ku, Tokyo 104-0033  
Japan  
TEL (81) 3-3523-3551  
FAX (81) 3-3523-7581

## Atmel Product Operations

### *Atmel Colorado Springs*

1150 E. Cheyenne Mtn. Blvd.  
Colorado Springs, CO 80906  
TEL (719) 576-3300  
FAX (719) 540-1759

### *Atmel Grenoble*

Avenue de Rochepleine  
BP 123  
38521 Saint-Egreve Cedex, France  
TEL (33) 4-7658-3000  
FAX (33) 4-7658-3480

### *Atmel Heilbronn*

Theresienstrasse 2  
POB 3535  
D-74025 Heilbronn, Germany  
TEL (49) 71 31 67 25 94  
FAX (49) 71 31 67 24 23

### *Atmel Nantes*

La Chantrerie  
BP 70602  
44306 Nantes Cedex 3, France  
TEL (33) 0 2 40 18 18 18  
FAX (33) 0 2 40 18 19 60

### *Atmel Rousset*

Zone Industrielle  
13106 Rousset Cedex, France  
TEL (33) 4-4253-6000  
FAX (33) 4-4253-6001

### *Atmel Smart Card ICs*

Scottish Enterprise Technology Park  
East Kilbride, Scotland G75 0QR  
TEL (44) 1355-357-000  
FAX (44) 1355-242-743

---

*e-mail*  
[literature@atmel.com](mailto:literature@atmel.com)

*Web Site*  
<http://www.atmel.com>

### © Atmel Corporation 2001.

Atmel Corporation makes no warranty for the use of its products, other than those expressly contained in the Company's standard warranty which is detailed in Atmel's Terms and Conditions located on the Company's web site. The Company assumes no responsibility for any errors which may appear in this document, reserves the right to change devices or specifications detailed herein at any time without notice, and does not make any commitment to update the information contained herein. No licenses to patents or other intellectual property of Atmel are granted by the Company in connection with the sale of Atmel products, expressly or by implication. Atmel's products are not authorized for use as critical components in life support devices or systems.

ATMEL® and AVR® are the registered trademarks of Atmel.

Other terms and product names may be the trademarks of others.



Printed on recycled paper.

## Looking for pricing, stock, or lifecycle information?

Click below to explore more details on WIN SOURCE:

- ⊖ [View AT90LS8535-4MI on WIN SOURCE](#)
- ⊖ [Microchip Technology](#) Information

## Optimize Your Supply Chain with WIN SOURCE Solutions

- ✓ Global Sourcing Solution
- ✓ Obsolete Management
- ✓ Cost Control Management
- ✓ Shortage Management
- ✓ Alternative Solution
- ✓ Excess Inventory Management