



**THE DATASHEET OF  
LM25011AQ1MYX/NOPB**



# LM25011, LM25011-Q1, LM25011A, LM25011A-Q1 42-V 2-A Constant On-Time Switching Regulator With Adjustable Current Limit

## 1 Features

- LM25011-Q1 is an Automotive Grade Product that is AEC-Q100 Grade 1 Qualified ( $-40^{\circ}\text{C}$  to  $+125^{\circ}\text{C}$  Operating Junction Temperature)
- LM25011A Allows Low-Dropout Operation at High Switching Frequency
- Input Operating Voltage Range: 6 V to 42 V
- Absolute Maximum Input Rating: 45 V
- Integrated 2-A N-Channel Buck Switch
- Adjustable Current Limit Allows for Smaller Inductor
- Adjustable Output Voltage from 2.51 V
- Minimum Ripple Voltage at  $V_{\text{OUT}}$
- Power Good Output
- Switching Frequency Adjustable to 2 MHz
- COT Topology Features:
  - Switching Frequency Remains Nearly Constant with Load Current and Input Voltage Variations
  - Ultra-Fast Transient Response
  - No Loop Compensation Required
  - Stable Operation with Ceramic Output Capacitors
  - Allows for Smaller Output Capacitor and Current Sense Resistor
- Adjustable Soft-Start Timing
- Thermal Shutdown
- Precision 2% Feedback Reference
- Package: 10-Pin, HVSSOP
- Create a Custom Design Using the LM25011 Family with the [WEBENCH Power Designer](#)

## 2 Applications

- Automotive Safety
- Infotainment
- Telecommunication
- Front Camera

## 3 Description

The LM25011 constant on-time step-down switching regulator features all the functions needed to implement a low-cost, efficient, buck bias regulator capable of supplying up to 2 A of load current. This high-voltage regulator contains an N-Channel Buck switch, a startup regulator, current limit detection, and internal ripple control. The constant on-time regulation principle requires no loop compensation, results in fast load transient response, and simplifies circuit implementation. The operating frequency remains constant with line and load. The adjustable valley current limit detection results in a smooth transition from constant voltage to constant current mode when current limit is reached, without the use of current limit foldback. The PGD output indicates the output voltage has increased to within 5% of the expected regulation value. Additional features include: Low output ripple,  $V_{\text{IN}}$  under-voltage lock-out, adjustable soft-start timing, thermal shutdown, gate drive pre-charge, gate drive under-voltage lock-out, and maximum duty cycle limit.

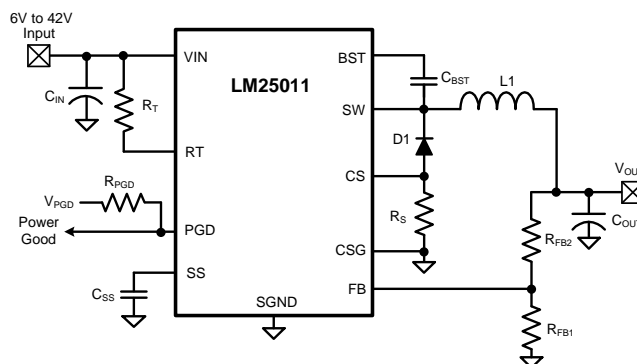
The LM25011A has a shorter minimum off-time than the LM25011, which allows for higher frequency operation at low input voltages.

### Device Information<sup>(1)</sup>

PART NUMBER	PACKAGE	BODY SIZE (NOM)
LM25011 / -Q1	HVSSOP (10)	3.00 mm x 3.00 mm
LM25011A / -Q1		

(1) For all available packages, see the orderable addendum at the end of the data sheet.

### Typical Application



## Table of Contents

<b>1 Features</b> .....	<b>1</b>	7.4 Device Functional Modes.....	<b>15</b>
<b>2 Applications</b> .....	<b>1</b>	<b>8 Application and Implementation</b> .....	<b>16</b>
<b>3 Description</b> .....	<b>1</b>	8.1 Application Information.....	<b>16</b>
<b>4 Revision History</b> .....	<b>2</b>	8.2 Typical Application .....	<b>16</b>
<b>5 Pin Configuration and Functions</b> .....	<b>3</b>	<b>9 Power Supply Recommendations</b> .....	<b>23</b>
<b>6 Specifications</b> .....	<b>4</b>	<b>10 Layout</b> .....	<b>23</b>
6.1 Absolute Maximum Ratings .....	4	10.1 Layout Guidelines .....	23
6.2 Handling Ratings: LM25011.....	4	10.2 Layout Example .....	23
6.3 Handling Ratings: LM25011-Q1.....	4	10.3 Power Dissipation .....	23
6.4 Recommended Operating Conditions.....	4	<b>11 Device and Documentation Support</b> .....	<b>24</b>
6.5 Thermal Information .....	5	11.1 Custom Design with WEBENCH Tools.....	24
6.6 Electrical Characteristics.....	6	11.2 Receiving Notification of Documentation Updates	24
6.7 Typical Characteristics .....	7	11.3 Related Links .....	24
<b>7 Detailed Description</b> .....	<b>10</b>	11.4 Trademarks .....	24
7.1 Overview .....	10	11.5 Electrostatic Discharge Caution.....	24
7.2 Functional Block Diagram .....	10	11.6 Glossary .....	24
7.3 Feature Description.....	10	<b>12 Mechanical, Packaging, and Orderable Information</b> .....	<b>24</b>

## 4 Revision History

NOTE: Page numbers for previous revisions may differ from page numbers in the current version.

### Changes from Revision G (February 2013) to Revision H

Page

- Added *Pin Configuration and Functions* section, *Handling Rating* table, *Feature Description* section, *Device Functional Modes*, *Application and Implementation* section, *Power Supply Recommendations* section, *Layout* section, *Device and Documentation Support* section, and *Mechanical, Packaging, and Orderable Information* section .....

1

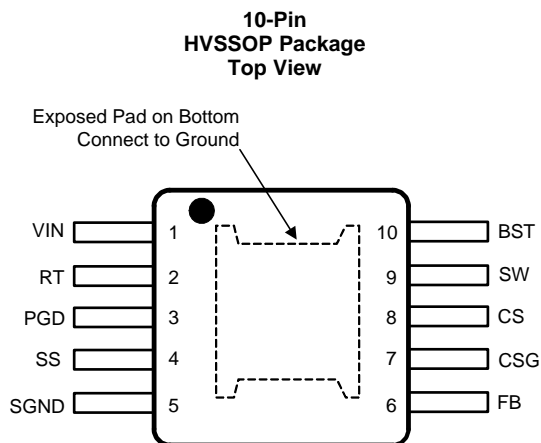
### Changes from Revision F (February 2013) to Revision G

Page

- Changed layout of National Semiconductor Data Sheet to TI format .....

23

## 5 Pin Configuration and Functions



### Pin Functions

PIN		I/O	DESCRIPTION	APPLICATION INFORMATION
NUMBER	NAME			
1	VIN	I	Input supply voltage	Operating input range is 6 V to 42 V. Transient capability is 45 V. A low ESR capacitor must be placed as close as possible to the VIN and SGND pins.
2	RT	I	On-time Control	An external resistor from VIN to this pin sets the buck switch on-time and the switching frequency.
3	PGD	–	Power Good	Logic output indicates when the voltage at the FB pin has increased to above 95% of the internal reference voltage. Hysteresis is provided. An external pull-up resistor to a voltage less than 7 V is required.
4	SS	I	Soft-Start	An internal current source charges an external capacitor to provide the soft-start function.
5	SGND		Signal Ground	Ground for all internal circuitry other than the current limit sense circuit.
6	FB	I	Feedback	Internally connected to the regulation comparator. The regulation level is 2.51 V.
7	CSG	–	Current Sense Ground	Ground connection for the current limit sensing circuit. Connect to ground and to the current sense resistor.
8	CS	I	Current sense	Connect to the current sense resistor and the anode of the free-wheeling diode.
9	SW	O	Switching Node	Internally connected to the buck switch source. Connect to the external inductor, cathode of the free-wheeling diode, and bootstrap capacitor.
10	BST	I	Bootstrap capacitor connection of the buck switch gate driver.	Connect a 0.1- $\mu$ F capacitor from SW to this pin. The capacitor is charged during the buck switch off-time via an internal diode.
-	EP	–	Exposed Pad	Exposed pad on the underside of the package. This pad should be soldered to the PC board ground plane to aid in heat dissipation.

## 6 Specifications

### 6.1 Absolute Maximum Ratings<sup>(1)</sup>

	MIN	MAX	UNIT
VIN to SGND (T <sub>J</sub> = 25°C)		45	V
BST to SGND		52	V
SW to SGND (Steady State)	–1.5	45	V
BST to SW	–0.3	7	V
CS to CSG	–0.3	0.3	V
CSG to SGND	–0.3	0.3	V
PGD to SGND	–0.3	7	V
SS to SGND	–0.3	3	V
RT to SGND	–0.3	1	V
FB to SGND	–0.3	7	V
For soldering specs, see <a href="http://www.ti.com/packaging">www.ti.com/packaging</a> .			
Junction Temperature		150	°C

- (1) *Absolute Maximum Ratings*<sup>(1)</sup> are limits beyond which damage to the device may occur. *Recommended Operating Conditions* are conditions under which operation of the device is intended to be functional. For specifications and test conditions, see the *Electrical Characteristics*.

### 6.2 Handling Ratings: LM25011

	MIN	MAX	UNIT
T <sub>stg</sub> Storage temperature range	–65	150	°C
V <sub>(ESD)</sub> Electrostatic discharge	Human body model (HBM), per ANSI/ESDA/JEDEC JS-001, all pins <sup>(1)</sup>	2000	V
	Charged device model (CDM), per JEDEC specification JESD22-C101, all pins <sup>(2)</sup>	750	

- (1) JEDEC document JEP155 states that 500-V HBM allows safe manufacturing with a standard ESD control process.  
 (2) JEDEC document JEP157 states that 250-V CDM allows safe manufacturing with a standard ESD control process.

### 6.3 Handling Ratings: LM25011-Q1

	MIN	MAX	UNIT	
T <sub>stg</sub> Storage temperature range	–65	150	°C	
V <sub>(ESD)</sub> Electrostatic discharge	Human body model (HBM), per AEC Q100-002 <sup>(1)</sup>	2000	V	
	Charged device model (CDM), per AEC Q100-011	Corner pins (1, 5, 6, and 10)		750
		Other pins		750

- (1) AEC Q100-002 indicates HBM stressing is done in accordance with the ANSI/ESDA/JEDEC JS-001 specification.

### 6.4 Recommended Operating Conditions

over operating free-air temperature range (unless otherwise noted)<sup>(1)</sup>

	MIN	MAX	UNIT
VIN Voltage	6.0	42	V
Junction Temperature	–40	125	°C

- (1) *Absolute Maximum Ratings*<sup>(1)</sup> are limits beyond which damage to the device may occur. *Recommended Operating Conditions* are conditions under which operation of the device is intended to be functional. For specifications and test conditions, see the *Electrical Characteristics*.

## 6.5 Thermal Information

THERMAL METRIC <sup>(1)</sup>		HVSSOP (DGQ)	UNIT
		10 PINS	
$R_{\theta JA}$	Junction-to-ambient thermal resistance	48	°C/W
$R_{\theta JC(top)}$	Junction-to-case (top) thermal resistance	54.3	
$R_{\theta JB}$	Junction-to-board thermal resistance	34.2	
$\Psi_{JT}$	Junction-to-top characterization parameter	4.0	
$\Psi_{JB}$	Junction-to-board characterization parameter	33.9	
$R_{\theta JC(bot)}$	Junction-to-case (bottom) thermal resistance	10	

(1) For more information about traditional and new thermal metrics, see the *IC Package Thermal Metrics* application report, [SPRA953](#).

## 6.6 Electrical Characteristics

Typical values correspond to  $T_J = 25^\circ\text{C}$ . Minimum and maximum limits apply over  $-40^\circ\text{C}$  to  $125^\circ\text{C}$  junction temperature range unless otherwise stated. Unless otherwise stated, the following conditions apply:  $V_{IN} = 12\text{ V}$ ,  $R_T = 50\text{ k}\Omega$ .<sup>(1) (2) (3)</sup>

PARAMETER		TEST CONDITIONS	MIN	TYP	MAX	UNIT
<b>INPUT (VIN PIN)</b>						
$I_{IN}$	Input operating current	Non-switching, FB = 3 V		1200	1600	$\mu\text{A}$
UVLO <sub>VIN</sub>	$V_{IN}$ undervoltage lock-out threshold	$V_{IN}$ increasing	4.6	5.3	5.9	V
	$V_{IN}$ undervoltage lock-out threshold hysteresis			200		mV
<b>SWITCH CHARACTERISTICS</b>						
$R_{DS(ON)}$	Buck Switch $R_{DS(ON)}$	$I_{TEST} = 200\text{ mA}$		0.3	0.6	$\Omega$
UVLO <sub>GD</sub>	Gate Drive UVLO	BST-SW	2.4	3.4	4.4	V
	UVLO <sub>GD</sub> Hysteresis			350		mV
	Pre-charge switch voltage	$I_{TEST} = 10\text{ mA}$ into SW pin		1.4		V
	Pre-charge switch on-time			120		ns
<b>SOFT-START PIN</b>						
$V_{SS}$	Pullup voltage			2.51		V
$I_{SS}$	Internal current source			10		$\mu\text{A}$
$V_{SS-SH}$	Shutdown threshold		70	140		mV
<b>CURRENT LIMIT</b>						
$V_{ILIM}$	Threshold voltage at CS		-146	-130	-115	mV
	CS bias current	FB = 3 V		-120		$\mu\text{A}$
	CSG bias current	FB = 3 V		-35		$\mu\text{A}$
<b>ON TIMER, RT PIN</b>						
$t_{ON-1}$	On-time	$V_{IN} = 12\text{ V}$ , $R_T = 50\text{ k}\Omega$	150	200	250	ns
$t_{ON-2}$	On-time	$V_{IN} = 32\text{ V}$ , $R_T = 50\text{ k}\Omega$		75		ns
$t_{ON-3}$	On-time (current limit) LM25011	$V_{IN} = 12\text{ V}$ , $R_T = 50\text{ k}\Omega$		100		ns
$t_{ON-3}$	On-time (current limit) LM25011A	$V_{IN} = 12\text{ V}$ , $R_T = 50\text{ k}\Omega$		200		ns
$t_{ON-4}$	On-time	$V_{IN} = 12\text{ V}$ , $R_T = 301\text{ k}\Omega$		1020		ns
$t_{ON-5}$	On-time	$V_{IN} = 9\text{ V}$ , $R_T = 30.9\text{ k}\Omega$	130	171	215	ns
$t_{ON-6}$	On-time	$V_{IN} = 12\text{ V}$ , $R_T = 30.9\text{ k}\Omega$	105	137	170	ns
$t_{ON-7}$	On-time	$V_{IN} = 16\text{ V}$ , $R_T = 30.9\text{ k}\Omega$	79	109	142	ns
<b>OFF TIMER</b>						
$t_{OFF}$	Minimum off-time (LM25011)		90	150	208	ns
	Minimum off-time (LM25011A)		52	75	93	
<b>REGULATION COMPARATOR (FB PIN)</b>						
$V_{REF}$	FB regulation threshold	SS pin = steady state	2.46	2.51	2.56	V
	FB bias current	FB = 3 V		100		nA
<b>POWER GOOD (PGD PIN)</b>						
	Threshold at FB, with respect to $V_{REF}$	FB increasing	91%	95%		
	Threshold hysteresis			3.3%		
PGD <sub>VOL</sub>	Low state voltage	$I_{PGD} = 1\text{ mA}$ , FB = 0 V		125	180	mV
PGD <sub>LKG</sub>	Off state leakage	$V_{PGD} = 7\text{ V}$ , FB = 3 V		0.1		$\mu\text{A}$
<b>THERMAL SHUTDOWN</b>						
$T_{SD}$	Thermal shutdown	Junction temperature increasing		155		$^\circ\text{C}$
	Thermal shutdown hysteresis			20		$^\circ\text{C}$

(1) Current flow out of a pin is indicated as a negative number.

(2) All hot and cold limits are specified by correlating the electrical characteristics to process and temperature variations and applying statistical process control.

(3) The junction temperature ( $T_J$  in  $^\circ\text{C}$ ) is calculated from the ambient temperature ( $T_A$  in  $^\circ\text{C}$ ) and power dissipation ( $P_D$  in watts) as follows:  $T_J = T_A + (P_D \times R_{\theta JA})$  where  $R_{\theta JA}$  (in  $^\circ\text{C}/\text{W}$ ) is the package thermal impedance provided in the [Thermal Information](#) section.

6.7 Typical Characteristics

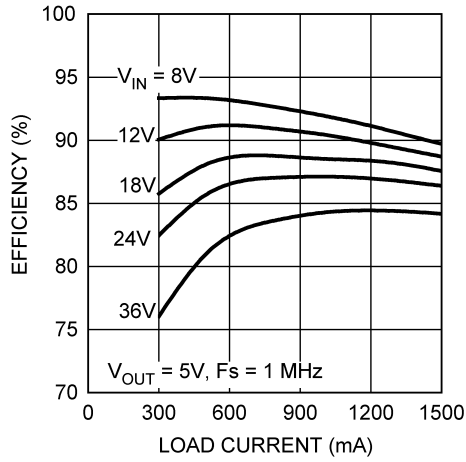


Figure 1. Efficiency (Circuit of Figure 19)

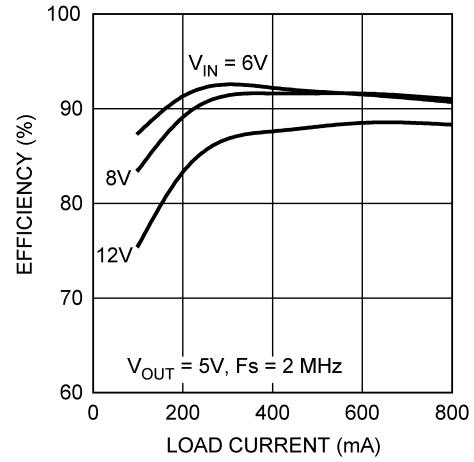


Figure 2. Efficiency at 2 MHz

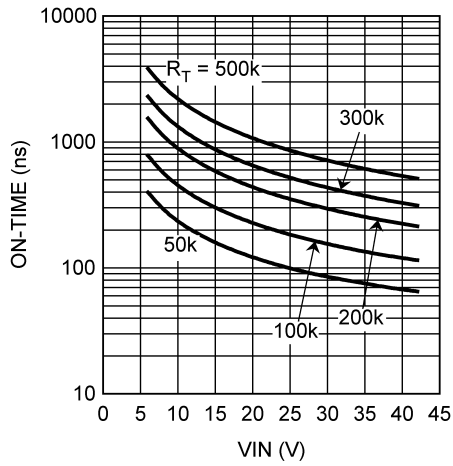


Figure 3. On-Time vs VIN and RT

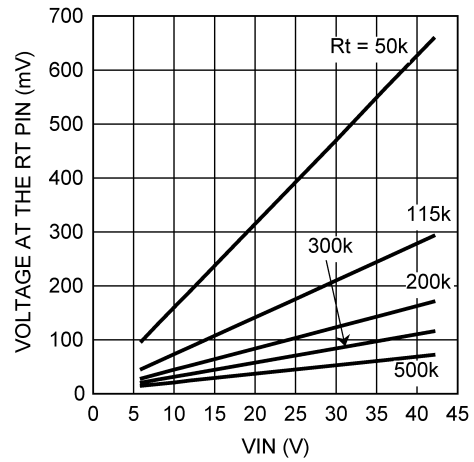


Figure 4. Voltage at the RT Pin

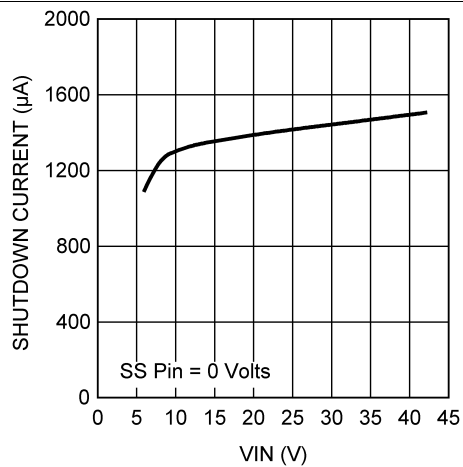


Figure 5. Shutdown Current into VIN

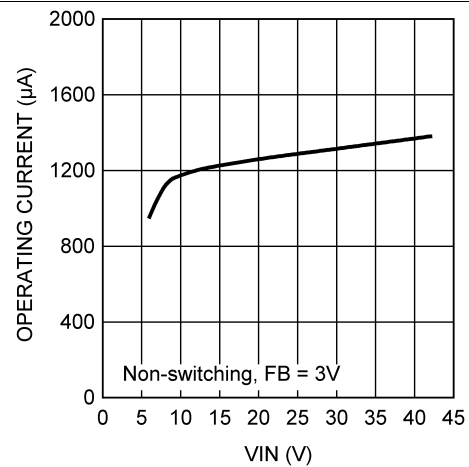


Figure 6. Operating Current into VIN

Typical Characteristics (continued)

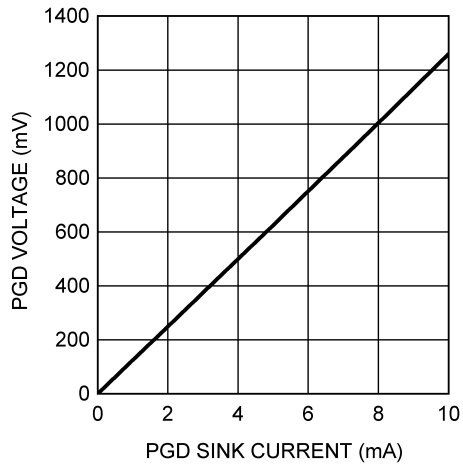


Figure 7. PGD Low Voltage vs Sink Current

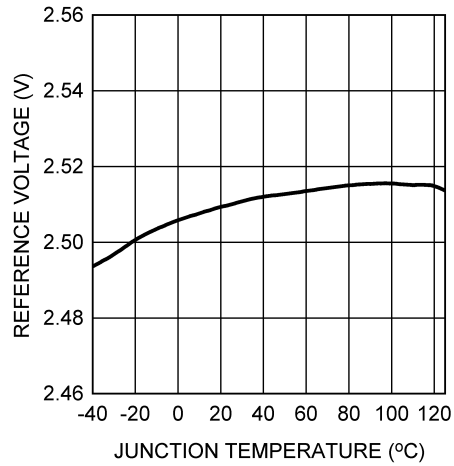


Figure 8. Reference Voltage vs Temperature

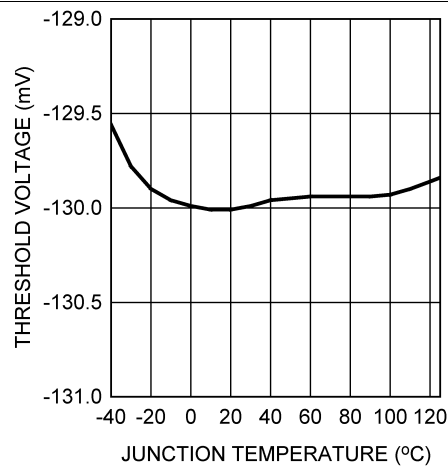


Figure 9. Current Limit Threshold vs Temperature

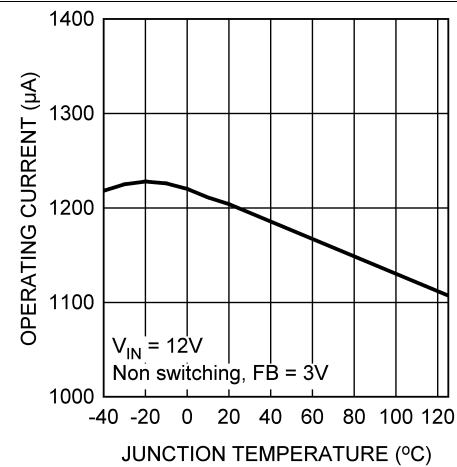


Figure 10. Operating Current vs Temperature

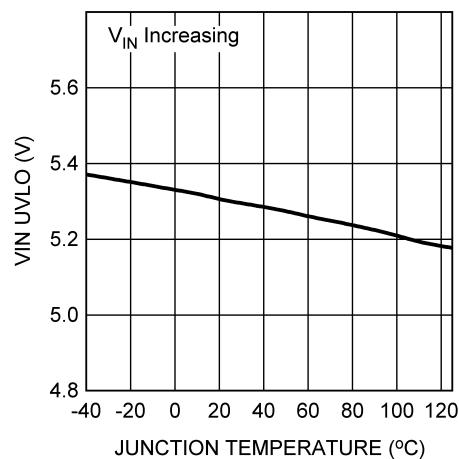


Figure 11. VIN UVLO vs Temperature

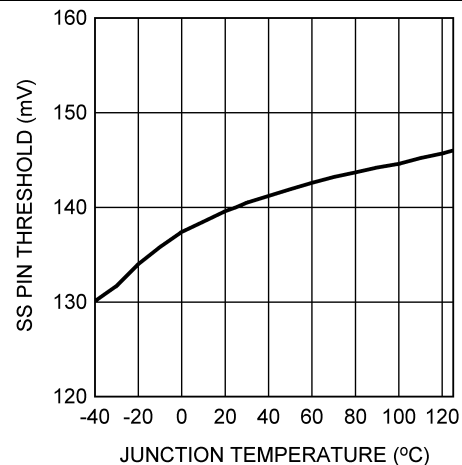
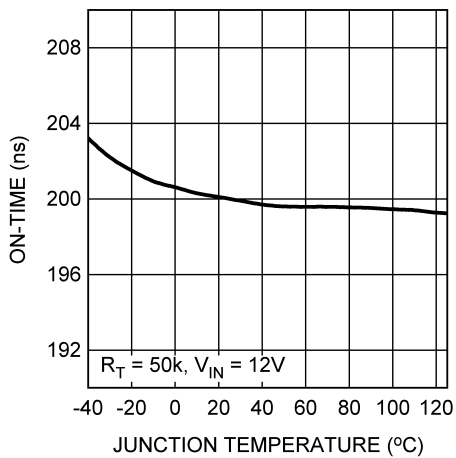
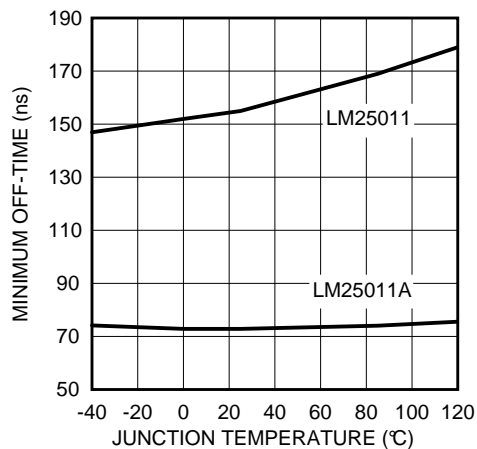


Figure 12. SS Pin Shutdown Threshold vs Temperature

**Typical Characteristics (continued)**



**Figure 13. On-Time vs Temperature**



**Figure 14. Minimum Off-Time vs Temperature**

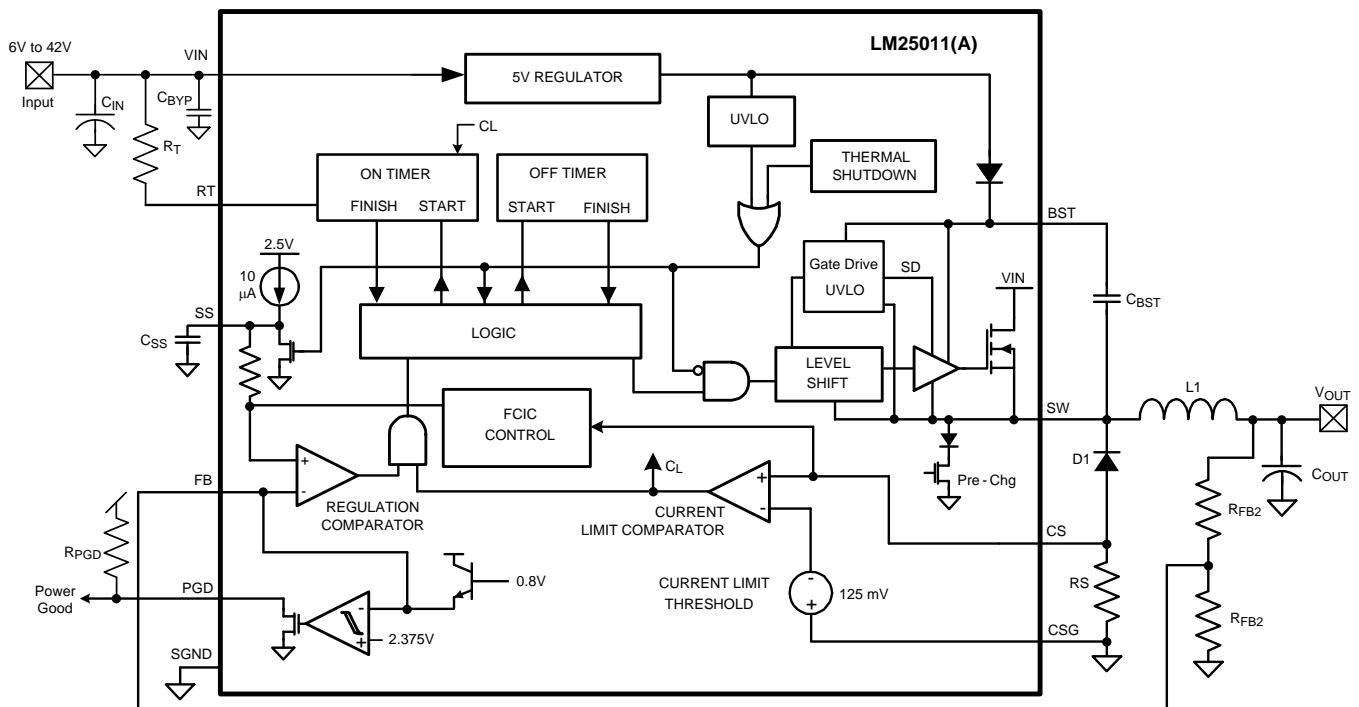
## 7 Detailed Description

### 7.1 Overview

The LM25011 constant on-time step-down switching regulator features all the functions needed to implement a low-cost, efficient buck bias power converter capable of supplying up to 2.0 A to the load. This high-voltage regulator contains an N-Channel buck switch, is easy to implement, and is available in a 10-pin VSSOP, PowerPAD power enhanced package. The operation of the regulator is based on a constant on-time control principle with the on-time inversely proportional to the input voltage. This feature results in the operating frequency remaining relatively constant with load and input voltage variations. The constant on-time feedback control principle requires no loop compensation resulting in very fast load transient response. The adjustable valley current limit detection results in a smooth transition from constant voltage to constant current when current limit is reached. To aid in controlling excessive switch current due to a possible saturating inductor, the on-time is reduced by approximately 40% when the current limit is detected. The Power Good output (PGD pin) indicates when the output voltage is within 5% of the expected regulation voltage.

The LM25011 can be implemented to efficiently step-down higher voltages in non-isolated applications. Additional features include: low output ripple, VIN under-voltage lock-out, adjustable soft-start timing, thermal shutdown, gate drive pre-charge, gate drive under-voltage lock-out, and maximum duty-cycle limit.

### 7.2 Functional Block Diagram



### 7.3 Feature Description

#### 7.3.1 Control Circuit Overview

The LM25011 buck regulator employs a control principle based on a comparator and a one-shot on-timer, with the output voltage feedback (FB) compared to an internal reference (2.51 V). If the FB voltage is below the reference, the internal buck switch is switched on for the one-shot timer period which is a function of the input voltage and the programming resistor ( $R_T$ ). Following the on-time, the switch remains off until the FB voltage falls below the reference, but never less than the minimum off-time forced by the off-time one-shot timer. When the FB pin voltage falls below the reference and the off-time one-shot period expires, the buck switch is then turned on for another on-time one-shot period.

## Feature Description (continued)

When in regulation, the LM25011 operates in continuous conduction mode at heavy load currents and discontinuous conduction mode at light load currents. In continuous conduction mode, the inductor current is always greater than zero and the operating frequency remains relatively constant with load and line variations. The minimum load current for continuous conduction mode is one-half of the ripple current amplitude of the inductor. The approximate operating frequency is calculated as follows:

$$F_S = \frac{V_{OUT}}{(4.1 \times 10^{-11} \times (R_T + 0.5k)) + (V_{IN} \times 15 \text{ ns})} \quad (1)$$

The buck switch duty cycle is approximately equal to:

$$DC = \frac{t_{ON}}{t_{ON} + t_{OFF}} = t_{ON} \times F_S = \frac{V_{OUT}}{V_{IN}} \quad (2)$$

When the load current is less than one-half of the ripple current amplitude of the inductor, the circuit operates in discontinuous conduction mode. The off-time is longer than in continuous conduction mode while the inductor current is zero, causing the switching frequency to reduce as the load current is reduced. Conversion efficiency is maintained at light loads because the switching losses are reduced with the reduction in load and frequency. The approximate discontinuous operating frequency can be calculated as follows:

$$F_S = \frac{V_{OUT}^2 \times L1 \times 1.19 \times 10^{21}}{R_L \times R_T^2} \quad (3)$$

where  $R_L$  = the load resistance, and  $L1$  is the inductor in the circuit.

The output voltage is set by the two feedback resistors ( $R_{FB1}$ ,  $R_{FB2}$  in the [Functional Block Diagram](#)). The regulated output voltage is calculated as follows:

$$V_{OUT} = 2.51 \text{ V} \times (R_{FB1} + R_{FB2}) / R_{FB1} \quad (4)$$

Ripple voltage, which is required at the input of the regulation comparator for proper output regulation, is generated internally in the LM25011, and externally when the LM25011A is used. In the LM25011 the ERM (emulated ripple mode) control circuit generates the required internal ripple voltage from the ripple waveform at the CS pin. The LM25011A, which is designed for higher frequency operation, requires additional ripple voltage which must be generated externally and provided to the FB pin. This is described in the [Application and Implementation](#) section.

### 7.3.2 On-Time Timer

The on-time for the LM25011/LM25011A is determined by the  $R_T$  resistor and the input voltage ( $V_{IN}$ ), calculated from:

$$t_{ON} = \frac{4.1 \times 10^{-11} \times (R_T + 500\Omega)}{(V_{IN})} + 15 \text{ ns} \quad (5)$$

The inverse relationship with  $V_{IN}$  results in a nearly constant frequency as  $V_{IN}$  is varied. To set a specific continuous conduction mode switching frequency ( $F_S$ ), the  $R_T$  resistor is determined from the following:

$$R_T = \frac{V_{OUT} - (V_{IN} \times F_S \times 15 \text{ ns})}{F_S \times 4.1 \times 10^{-11}} - 500\Omega \quad (6)$$

The on-time must be chosen greater than 90 ns for proper operation. [Equation 1](#), [Equation 5](#), and [Equation 6](#) are valid only during normal operation; that is, the circuit is not in current limit. When the LM25011 operates in current limit, the on-time is reduced by approximately 40% (this feature is not present in LM25011A). This feature reduces the peak inductor current which may be excessively high if the load current and the input voltage are simultaneously high. This feature operates on a cycle-by-cycle basis until the load current is reduced and the

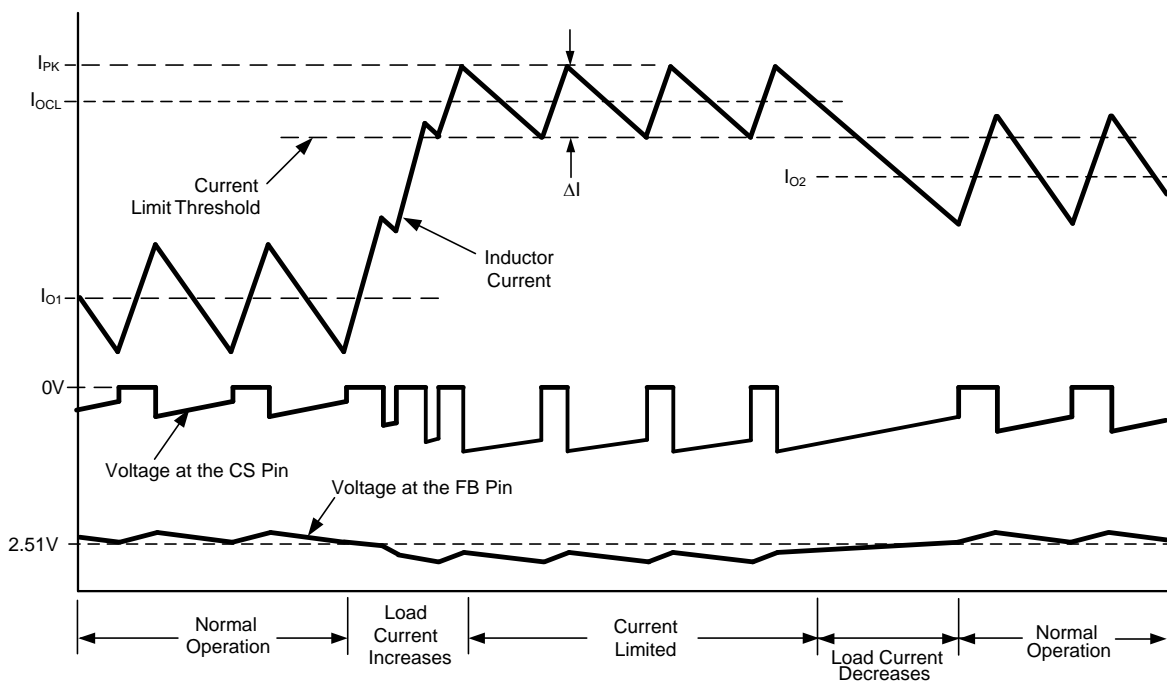
## Feature Description (continued)

output voltage resumes its normal regulated value. The maximum continuous current into the RT pin must be less than 2 mA. For high-frequency applications, the maximum switching frequency is limited at the maximum input voltage by the minimum on-time one-shot period (90 ns). At minimum input voltage the maximum switching frequency is limited by the minimum off-time one-shot period which, if reached, prevents achievement of the proper duty cycle.

### 7.3.3 Current Limit

Current limit detection occurs during the off-time by monitoring the voltage across the external current sense resistor  $R_S$ . Referring to the [Functional Block Diagram](#), during the off-time the recirculating current flows through the inductor, through the load, through the sense resistor, and through D1 to the inductor. If the voltage across the sense resistor exceeds the threshold ( $V_{ILIM}$ ), the current limit comparator output switches to delay the start of the next on-time period. The next on-time starts when the recirculating current decreases such that the voltage across  $R_S$  reduces to the threshold and the voltage at FB is below 2.51 V. The operating frequency is typically lower due to longer-than-normal off-times. When current limit is detected, the on-time is reduced by approximately 40% (only in LM25011) if the voltage at the FB pin is below its threshold when the voltage across  $R_S$  reduces to its threshold ( $V_{OUT}$  is low due to current limiting).

[Figure 15](#) illustrates the inductor current waveform during normal operation and in current limit. During the first normal operation, the load current is  $I_{O1}$ , the average of the inductor current waveform. As the load resistance is reduced, the inductor current increases until the lower peak of the inductor ripple current exceeds the threshold. During the current limited portion of [Figure 15](#), each on-time is reduced by approximately 40%, resulting in lower ripple amplitude for the inductor current. During this time the LM25011 is in a constant-current mode with an average load current equal to the current limit threshold plus half the ripple amplitude ( $I_{OCL}$ ), and the output voltage is below the normal regulated value. Normal operation resumes when the load current is reduced (to  $I_{O2}$ ), allowing  $V_{OUT}$  and the on-time to return to their normal values. Note that in the second period of normal operation, even though the peak current of the inductor exceeds the current limit threshold during part of each cycle, the circuit is not in current limit because the inductor current falls below the current limit threshold during each off-time. The peak current allowed through the buck switch is 3.5 A and the maximum allowed average current is 2.0 A.

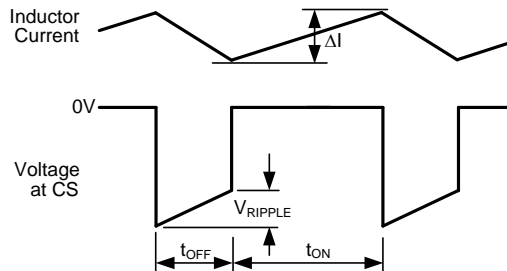


**Figure 15. Normal and Current Limit Operation**

## Feature Description (continued)

### 7.3.4 Ripple Requirements

The LM25011 requires about 25 mV<sub>P-P</sub> of ripple voltage at the CS pin. Higher switching frequencies may require more ripple. That ripple voltage is generated by the decreasing recirculating current (the inductor ripple current) through R<sub>S</sub> during the off-time. See [Figure 16](#).



**Figure 16. CS Pin Waveform**

The ripple voltage is equal to:

$$V_{\text{RIPPLE}} = \Delta I \times R_S \quad (7)$$

where  $\Delta I$  is the inductor current ripple amplitude, and  $R_S$  is the current-sense resistor at the CS pin.

More ripple can be achieved by decreasing the inductor value.

The LM25011A, with its shorter minimum off-time, typically will require more ripple than the LM25011. An external circuit to increase the effective ripple voltage may be needed. Different methods of generating this ripple are explained in the [External Components](#) section.

### 7.3.5 N-Channel Buck Switch and Driver

The LM25011 integrates an N-Channel buck switch and associated floating high-voltage gate driver. The gate driver circuit works in conjunction with an external bootstrap capacitor ( $C_{\text{BST}}$ ) and an internal high-voltage diode. A 0.1- $\mu\text{F}$  capacitor connected between BST and SW provides the supply voltage for the driver during the on-time. During each off-time, the SW pin is at approximately  $-1$  V, and  $C_{\text{BST}}$  is recharged from the internal 5-V regulator for the next on-time. The minimum off-time ensures a sufficient time each cycle to recharge the bootstrap capacitor.

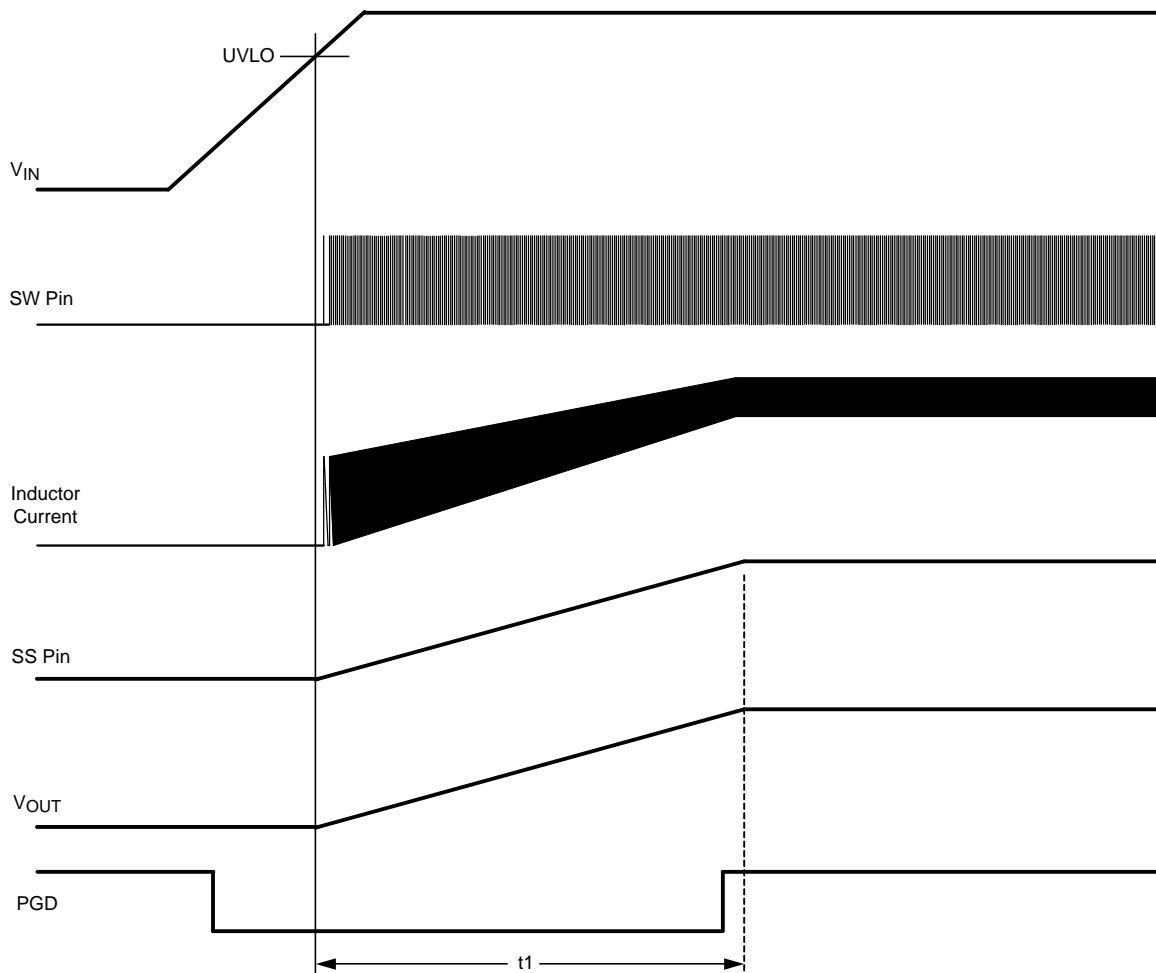
In applications with relatively high output voltage and low minimum load current, the internal pre-charge device of the LM25011 may not pull the SW pin sufficiently low during the off-time to maintain the voltage on the bootstrap capacitor. If the bootstrap capacitor ( $C_{\text{BST}}$ ) discharges during the long off-times, and the regulator will cycle on and off at a low frequency. Decreasing the values of the feedback resistors  $R_{\text{FB1}}$  and  $R_{\text{FB2}}$  to provide a minimum load of typically 1mA at nominal  $V_{\text{OUT}}$  will increase the minimum switching frequency and maintain sufficient bootstrap capacitor voltage.

### 7.3.6 Soft-Start

The soft-start feature allows the converter to gradually reach a steady-state operating point, thereby reducing startup stresses and current surges. Upon turn-on, when  $V_{\text{IN}}$  reaches its undervoltage lock-out threshold an internal 10- $\mu\text{A}$  current source charges the external capacitor at the SS pin to 2.51 V ( $t_1$  in [Figure 17](#)). The ramping voltage at SS ramps the non-inverting input of the regulation comparator and the output voltage, in a controlled manner. For proper operation, the soft-start capacitor should be no smaller than 1000 pF.

## Feature Description (continued)

The LM25011 can be employed as a tracking regulator by applying the controlling voltage to the SS pin. The output voltage of the regulator tracks the applied voltage, gained up by the ratio of the feedback resistors. The applied voltage at the SS pin must be within the range of 0.5 V to 2.6 V. The absolute maximum rating for the SS pin is 3.0 V. If the tracking function causes the voltage at the FB pin to go below the thresholds for the PGD pin, the PGD pin will switch low (see the [Power Good Output \(PGD\)](#) section). An internal switch grounds the SS pin if the input voltage at VIN is below its undervoltage lock-out threshold or if the thermal shutdown activates. If the tracking function (described above) is used, the tracking voltage applied to the SS pin must be current limited to a maximum of 1 mA.



**Figure 17. Startup Sequence**

### 7.3.7 Power Good Output (PGD)

The Power Good output (PGD) indicates when the voltage at the FB pin is close to the internal 2.51-V reference voltage. The rising threshold at the FB pin for the PGD output to switch high is 95% of the internal reference. The falling threshold for the PGD output to switch low is approximately 3.3% below the rising threshold.

The PGD pin is internally connected to the drain of an N-channel MOSFET switch. An external pull-up resistor ( $R_{PGD}$ ), connected to an appropriate voltage not exceeding 7 V, is required at PGD to indicate the LM25011 status to other circuitry. When PGD is low, the pin voltage is determined by the current into the pin. See [Figure 7, PGD Low Voltage vs Sink Current](#).

## Feature Description (continued)

Upon powering up the LM25011, the PGD pin is high until the voltage at  $V_{IN}$  reaches 2 V, at which time PGD switches low. As  $V_{IN}$  is increased, PGD stays low until the output voltage takes the voltage at the FB pin above 95% of the internal reference voltage, at which time PGD switches high. As  $V_{IN}$  is decreased (during shutdown), PGD remains high until either the voltage at the FB pin falls below approximately 92% of the internal reference or when  $V_{IN}$  falls below its lower UVLO threshold, whichever occurs first. PGD then switches low, and remains low until  $V_{IN}$  falls below 2 V, at which time PGD switches high. If the LM25011 is used as a tracking regulator (see the [Soft-Start](#) section), the PGD output is high as long as the voltage at the FB pin is above the thresholds mentioned above.

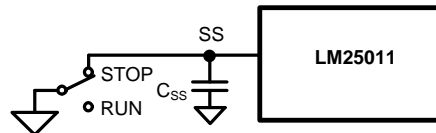
### 7.3.8 Thermal Shutdown

The LM25011 should be operated so the junction temperature does not exceed 125°C. If the junction temperature increases above that, an internal thermal shutdown circuit activates (typically) at 155°C, taking the controller to a low-power reset state by disabling the buck switch and taking the SS pin to ground. This feature helps prevent catastrophic failures from accidental device overheating. When the junction temperature decreases below 135°C (typical hysteresis = 20°C), normal operation resumes.

## 7.4 Device Functional Modes

### 7.4.1 Shutdown Function

The SS pin can be used to shutdown the LM25011 by grounding the SS pin as shown in [Figure 18](#). Releasing the pin allows normal operation to resume.



**Figure 18. Shutdown Implementation**

## 8 Application and Implementation

### NOTE

Information in the following applications sections is not part of the TI component specification, and TI does not warrant its accuracy or completeness. TI's customers are responsible for determining suitability of components for their purposes. Customers should validate and test their design implementation to confirm system functionality.

### 8.1 Application Information

The LM25011/LM25011-Q1 is a non-synchronous buck regulator designed to operate over a wide input voltage range and output current. Spreadsheet-based quick-start calculation tools and the on-line WEBENCH® software can be used to create a buck design with the bill of materials, estimated efficiency, and the complete solution cost.

### 8.2 Typical Application

#### 8.2.1 LM25011 Example Circuit

The final circuit is shown in Figure 19, and its performance is shown in Figure 20 and Figure 21. The current limit measures approximately 1.62 A at  $V_{IN} = 8\text{ V}$ , and 1.69 A at  $V_{IN} = 36\text{ V}$ .

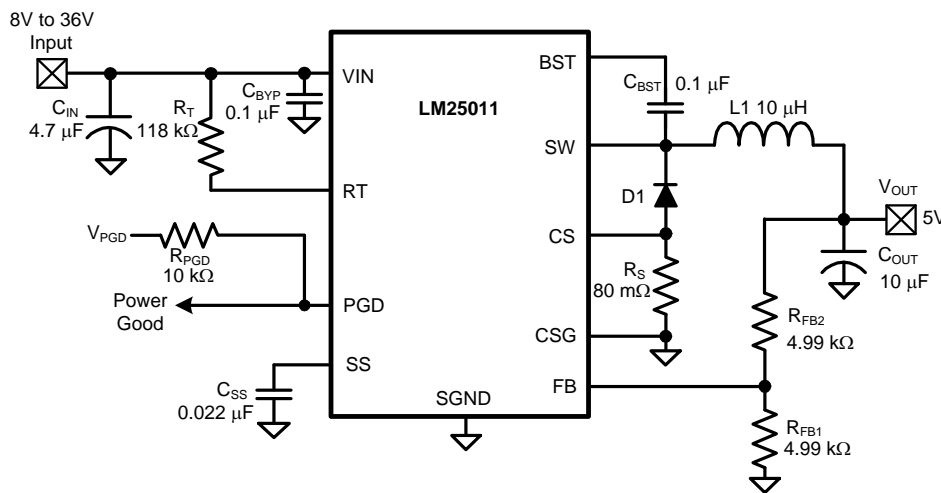


Figure 19. Example Circuit

#### 8.2.1.1 Design Requirements

Table 1 shows the design parameters.

Table 1. Design Parameters

DESIGN PARAMETER	VALUE
Input voltage range	8 V to 36 V
Output voltage	5 V
Maximum load current ( $I_{OUT(max)}$ )	1.5 A
Minimum load current ( $I_{OUT(min)}$ )	300 mA
Switching frequency ( $F_{SW}$ )	1 MHz
Soft-start time	5 ms

### 8.2.1.2 Detailed Design Procedure

#### 8.2.1.2.1 Custom Design with WEBENCH Tools

[Click here](#) to create a custom design using the LM25011 device with the WEBENCH® Power Designer.

1. Start by entering your  $V_{IN}$ ,  $V_{OUT}$  and  $I_{OUT}$  requirements.
2. Optimize your design for key parameters like efficiency, footprint and cost using the optimizer dial and compare this design with other possible solutions from Texas Instruments.
3. WEBENCH Power Designer provides you with a customized schematic along with a list of materials with real time pricing and component availability.
4. In most cases, you will also be able to:
  - Run electrical simulations to see important waveforms and circuit performance,
  - Run thermal simulations to understand the thermal performance of your board,
  - Export your customized schematic and layout into popular CAD formats,
  - Print PDF reports for the design, and share your design with colleagues.
5. Get more information about WEBENCH tools at [www.ti.com/webench](http://www.ti.com/webench).

#### 8.2.1.2.2 External Components

The procedure for calculating the external components is illustrated with a design example using the LM25011. Referring to the [Functional Block Diagram](#), the circuit is to be configured for the following specifications:

- $V_{OUT} = 5\text{ V}$
- $V_{IN} = 8\text{ V to } 36\text{ V}$
- Minimum load current for continuous conduction mode  $I_{OUT(min)} = 300\text{ mA}$
- Maximum load current  $I_{OUT(max)} = 1.5\text{ A}$
- Switching frequency ( $F_{SW}$ ) = 1.0 MHz
- Soft-start time = 5 ms

$R_{FB2}$  and  $R_{FB1}$ : These resistors set the output voltage, and their ratio is calculated from:

$$R_{FB2}/R_{FB1} = (V_{OUT} / 2.51\text{ V}) - 1 \quad (8)$$

For this example,  $R_{FB2}/R_{FB1} = 0.992$ .  $R_{FB1}$  and  $R_{FB2}$  should be chosen from standard value resistors in the range of 1.0 k $\Omega$  to 10 k $\Omega$  which satisfy the above ratio. For this example, 4.99 k $\Omega$  is chosen for both resistors, providing a 5.02-V output.

$R_T$ : This resistor sets the on-time and (by default) the switching frequency. First check that the desired frequency does not require an on-time or off-time shorter than the minimum allowed values (90 ns and 150, respectively). The minimum on-time occurs at the maximum input voltage. For this example:

$$t_{ON(min)} = \frac{V_{OUT}}{V_{IN(max)} \times F_S} = \frac{5\text{V}}{36\text{V} \times 1\text{ MHz}} = 139\text{ ns} \quad (9)$$

The minimum off-time occurs at the minimum input voltage. For this example:

$$t_{OFF(min)} = \frac{V_{IN(min)} - V_{OUT}}{V_{IN(min)} \times F_S} = \frac{8\text{V} - 5\text{V}}{8\text{V} \times 1\text{ MHz}} = 375\text{ ns} \quad (10)$$

Both the on-time and off-time are acceptable because they are significantly greater than the minimum value for each. The  $R_T$  resistor is calculated from [Equation 6](#) using the minimum input voltage:

$$R_T = \frac{5 - (8\text{V} \times 1\text{MHz} \times 15\text{ ns})}{1\text{MHz} \times 4.1 \times 10^{-11}} - 500\Omega = 118.5\text{ k}\Omega \quad (11)$$

A standard value 118-k $\Omega$  resistor is selected. The minimum on-time calculates to 152 ns at  $V_{IN} = 36\text{ V}$ , and the maximum on-time calculates to 672 ns at  $V_{IN} = 8\text{ V}$ .

**L1:** The parameters controlled by the inductor are the inductor current ripple amplitude ( $I_{OR}$ ), and the ripple voltage amplitude across the current sense resistor  $R_S$ . The minimum load current is used to determine the maximum allowable ripple to maintain continuous conduction mode (the lower peak does not reach 0 mA). This is not a requirement of the LM25011, but serves as a guideline for selecting L1. For this example, the maximum ripple current should be less than:

$$I_{OR(max)} = 2 \times I_{OUT(min)} = 600 \text{ mA}_{P-P} \quad (12)$$

For applications where the minimum load current is zero, a good starting point for allowable ripple is 20% of the maximum load current. In this case substitute 20% of  $I_{OUT(max)}$  for  $I_{OUT(min)}$  in Equation 12. The ripple amplitude calculated in Equation 12 is then used in Equation 13:

$$L1_{(min)} = \frac{t_{ON(min)} \times (V_{IN(max)} - V_{OUT})}{I_{OR(max)}} = 7.85 \mu\text{H} \quad (13)$$

A standard value 10- $\mu\text{H}$  inductor is chosen. Using this inductor value, the maximum ripple current amplitude, which occurs at maximum  $V_{IN}$ , calculates to 472 mA<sub>P-P</sub>, and the peak current is 1736 mA at maximum load current. Ensure the selected inductor is rated for this peak current. The minimum ripple current, which occurs at minimum  $V_{IN}$ , calculates to 200 mA<sub>P-P</sub>.

**R<sub>S</sub>:** The minimum current limit threshold is calculated at maximum load current using the minimum ripple current calculated above. The current limit threshold is the lower peak of the inductor current waveform when in current limit (see Figure 15).

$$I_{LIM} = 1.5 \text{ A} - (0.2 \text{ A} / 2) = 1.4 \text{ A} \quad (14)$$

Current limit detection occurs when the voltage across the sense resistor ( $R_S$ ) reaches the current limit threshold. To allow for tolerances, the sense resistor value is calculated using the minimum threshold specification:

$$R_S = 115 \text{ mV} / 1.4 \text{ A} = 82 \text{ m}\Omega \quad (15)$$

The next smaller standard value, 80 m $\Omega$ , is selected. The next step is to ensure that sufficient ripple voltage occurs across  $R_S$  with this value sense resistor. As mentioned in the [Ripple Requirements](#) section, a minimum of 15-mV<sub>P-P</sub> voltage ripple is required across the  $R_S$  sense resistor during the off-time to ensure the regulation circuit operates properly. The ripple voltage is the product of the inductor ripple current amplitude and the sense resistor value. In this case, the minimum ripple voltage calculates to:

$$V_{RIPPLE} = \Delta I \times R_S = 200 \text{ mA} \times 0.080 \Omega = 16 \text{ mV} \quad (16)$$

If the ripple voltage had calculated to less than 15 mV<sub>P-P</sub>, the inductor value would have to be reduced to increase the ripple current amplitude. This would have required a recalculation of  $I_{LIM}$  and  $R_S$  in the above equations. Because the minimum requirement is satisfied in this case, no change is necessary.

The nominal current limit threshold calculates to 1.63 A. The minimum and maximum thresholds calculate to 1.44 A and 1.83 A, respectively, using the minimum and maximum limits for the current limit threshold specification. The load current is equal to the threshold current plus one-half of the ripple current. Under normal load conditions, the maximum power dissipation in  $R_S$  occurs at maximum load current, and at maximum input voltage where the on-time duty cycle is minimum. In this design example, the minimum on-time duty cycle is:

$$\text{Duty Cycle} = D = \frac{V_{OUT}}{V_{IN}} = \frac{5\text{V}}{36\text{V}} = 13.9\% \quad (17)$$

At maximum load current, the power dissipation in  $R_S$  is equal to:

$$P_{(RS)} = (1.5 \text{ A})^2 \times 0.080 \Omega \times (1 - 0.139) = 155 \text{ mW} \quad (18)$$

When in current limit the maximum power dissipation in  $R_S$  calculates to

$$P_{(RS)} = (1.83 \text{ A} + 0.472 \text{ A} / 4)^2 \times 0.080 \Omega = 304 \text{ mW} \quad (19)$$

Duty cycle is not included in this power calculation because the on-time duty cycle is typically <5% when in current limit.

**C<sub>OUT</sub>:** The output capacitor should typically be no smaller than 3.3  $\mu\text{F}$ , although that is dependent on the frequency and the desired output characteristics.  $C_{OUT}$  should be a low ESR good-quality ceramic capacitor. Experimentation is usually necessary to determine the minimum value for  $C_{OUT}$ , as the nature of the load may require a larger value. A load which creates significant transients requires a larger value for  $C_{OUT}$  than a non-varying load.

**C<sub>IN</sub> and C<sub>BYP</sub>:** The purpose of C<sub>IN</sub> is to supply most of the switch current during the on-time, and limit the voltage ripple at V<sub>IN</sub>, because it is assumed the voltage source feeding V<sub>IN</sub> has some amount of source impedance. When the buck switch turns on, the current into V<sub>IN</sub> suddenly increases to the lower peak of the inductor ripple current, then ramps up to the upper peak, and finally drops to zero at turn-off. The average current during the on-time is the average load current. For a worst case calculation, C<sub>IN</sub> must supply this average load current during the maximum on-time, without letting the voltage at the VIN pin drop below a minimum operating level of 5.5 V. For this exercise 0.5 V is chosen as the maximum allowed input ripple voltage. Using the maximum load current, the minimum value for C<sub>IN</sub> is calculated from:

$$C_{IN} = \frac{I_{OUT(max)} \times t_{ON(max)}}{\Delta V} = \frac{1.5A \times 672 \text{ ns}}{0.5V} = 2.02 \mu\text{F} \quad (20)$$

where t<sub>ON</sub> is the maximum on-time, and ΔV is the allowable ripple voltage at V<sub>IN</sub>. The purpose of C<sub>BYP</sub> is to minimize transients and ringing due to long lead inductance leading to the VIN pin. A low ESR 0.1-μF ceramic chip capacitor is recommended, and C<sub>BYP</sub> must be located close to the VIN and SGND pins.

**C<sub>BST</sub>:** The recommended value for C<sub>BST</sub> is 0.1 μF. A high-quality ceramic capacitor with low ESR is recommended as C<sub>BST</sub> supplies a surge current to charge the buck switch gate at each turn-on. A low ESR also helps ensure a complete recharge during each off-time.

**C<sub>SS</sub>:** The capacitor at the SS pin determines the soft-start time, that is, the time for the output voltage to reach its final value (t<sub>1</sub> in Figure 17). For a soft-start time of 5 ms, the capacitor value is determined from the following:

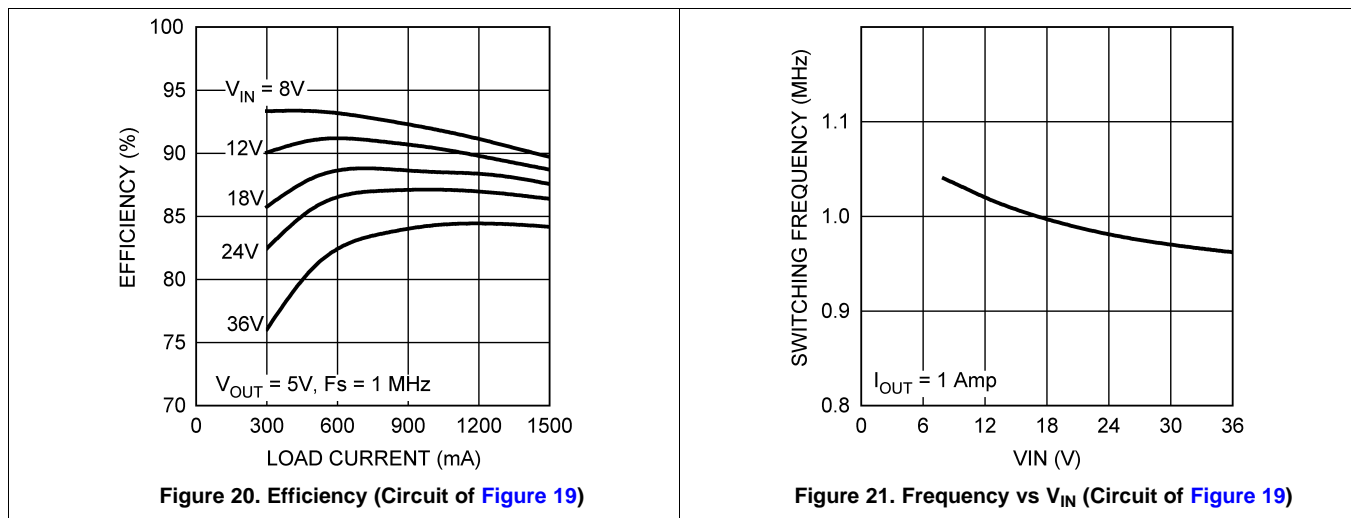
$$C_{SS} = \frac{5 \text{ ms} \times 10 \mu\text{A}}{2.51V} = 0.02 \mu\text{F} \quad (21)$$

**D1:** A Schottky diode is recommended. Ultra-fast recovery diodes are not recommended as the high-speed transitions at the SW pin may affect the regulator operation due to the reverse recovery transients of the diode. The diode must be rated for the maximum input voltage, the maximum load current, and the peak current which occurs when the current limit and maximum ripple current are reached simultaneously. The average power dissipation of the diode is calculated from:

$$P_{D1} = V_F \times I_{OUT} \times (1 - D) \quad (22)$$

where V<sub>F</sub> is the forward voltage drop of the diode, and D is the on-time duty cycle.

### 8.2.1.3 Application Curves



## 8.2.2 Output Ripple Control

High frequency applications of the LM25011 or LM25011A are likely to require more ripple voltage than is internally generated across the  $R_S$  resistor. Additional ripple can be supplied to the FB pin, in phase with the switching waveform at the SW pin, for proper operation. The required ripple can be supplied from ripple generated at  $V_{OUT}$ , through the feedback resistors, as described in [Option A: Lowest Cost Configuration](#). [Option B: Intermediate  \$V\_{OUT}\$  Ripple Configuration](#) and [Option C: Minimum  \$V\_{OUT}\$  Ripple Configuration](#) use one or two additional components to provide ripple at the FB pin with lower output ripple at  $V_{OUT}$ .

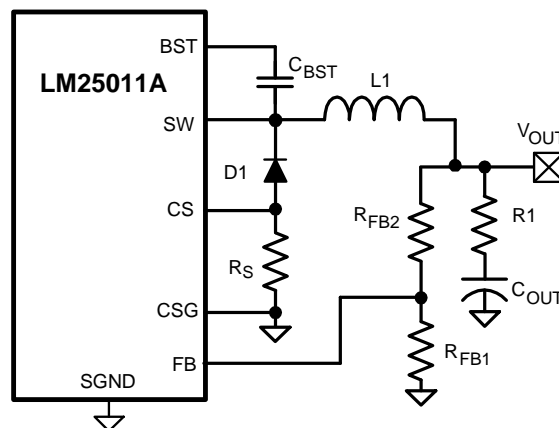
The amount of additional ripple voltage needed at the FB pin is typically in the range of 30 mV to 150 mV. Higher switching frequencies or higher inductor values (less ripple current) require more external ripple voltage injected at the FB pin. Insufficient ripple voltage will result in frequency jitter. For a particular application, add only as much ripple as needed to stabilize the switching frequency over the required input voltage.

### 8.2.2.1 Option A: Lowest Cost Configuration

In this configuration R1 is installed in series with the output capacitor ( $C_{OUT}$ ) as shown in [Figure 22](#). The ripple current of the inductor passes through R1, generating a ripple voltage at  $V_{OUT}$ . The minimum value for R1 is:

$$R1 = \frac{V_{RIPPLE} \times (R_{FB2} + R_{FB1})}{\Delta I \times R_{FB1}} \quad (23)$$

where  $\Delta I$  is the minimum ripple current amplitude, which occurs at minimum  $V_{IN}$ , and  $V_{RIPPLE}$  is the peak to peak ripple voltage injected at the FB pin.



**Figure 22. Option A – Lowest Cost Ripple Configuration**

### 8.2.2.2 Option B: Intermediate $V_{OUT}$ Ripple Configuration

This configuration generates less ripple at  $V_{OUT}$  than Option A by the addition of capacitor ( $C_{ff}$ ) as shown in [Figure 23](#).

Because the output ripple is passed by  $C_{ff}$  to the FB pin with little or no attenuation, the R1 value and  $V_{OUT}$  ripple can be smaller than in Option A. The minimum value for R1 is calculated from:

$$R1 = \frac{V_{RIPPLE}}{\Delta I} \quad (24)$$

where  $\Delta I$  is the minimum ripple current amplitude, which occurs at minimum  $V_{IN}$ , and  $V_{RIPPLE}$  is the peak-to-peak ripple voltage injected at the FB pin. The minimum value for  $C_{ff}$  is calculated from:

$$C_{ff} > \frac{3 \times t_{ON(max)}}{R_{FB1} // R_{FB2}} \quad (25)$$

where  $t_{ON(max)}$  is the maximum on-time (at minimum  $V_{IN}$ ), and  $R_{FB1} // R_{FB2}$  is the parallel equivalent of the feedback resistors.

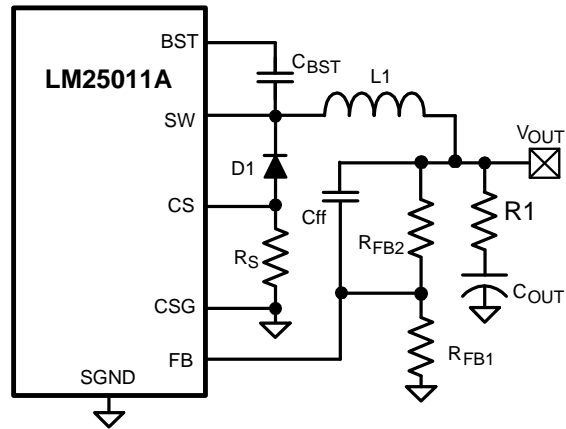
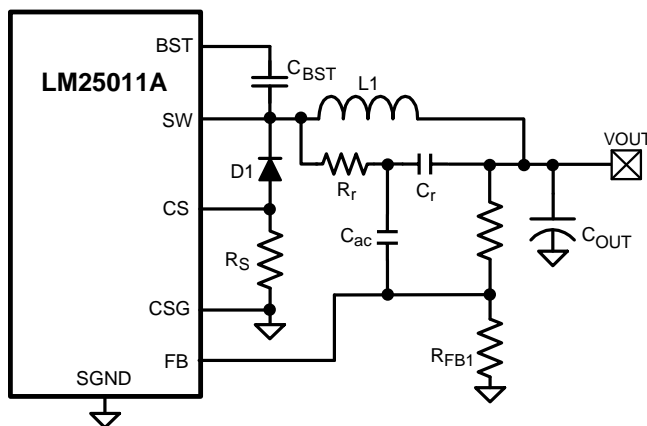


Figure 23. Option B – Intermediate Ripple Configuration

### 8.2.2.3 Option C: Minimum $V_{OUT}$ Ripple Configuration

In some applications, the  $V_{OUT}$  ripple induced by series resistor R1 may not be acceptable. When low  $V_{OUT}$  ripple is required, an external ripple circuit, as shown in Figure 24, can be used to provide the required ripple at the FB pin.

1. The time constant  $R_r \times C_r$  should be more than 8 to 10 times the switching period to generate a triangular waveform at the junction of  $R_r$ ,  $C_r$  and  $C_{ac}$ .
2. The minimum ripple at FB (at minimum  $V_{IN}$ ) is equal to:  $V_{RIPPLE} = (V_{IN(min)} - V_{OUT}) \times T_{ON(max)} / (R_r \times C_r)$ .
3. The ripple capacitor  $C_r$  should much smaller than the ac coupling capacitor  $C_{ac}$ . Typically  $C_{ac} = 100$  nF,  $C_r = 1$  nF, and  $R_r$  is chosen to satisfy conditions 1 and 2 above.



**Figure 24. Option C: Minimum Output Ripple Configuration**

## 9 Power Supply Recommendations

The LM25011 is designed to operate with an input power supply capable of supplying a voltage range between 6 V and 42 V. The power supply should be well regulated and capable of supplying sufficient current to the regulator during peak load operation. Also, like in all applications, the power supply source impedance must be small compared to the module input impedance to maintain the stability of the converter.

## 10 Layout

### 10.1 Layout Guidelines

The LM25011 regulation and current limit comparators are very fast, and respond to short-duration noise pulses. Layout considerations are therefore critical for optimum performance. The layout must be as neat and compact as possible, and all of the components must be as close as possible to their associated pins. The two major current loops conduct currents which switch very fast, and therefore those loops must be as small as possible to minimize conducted and radiated EMI. The first loop is formed by  $C_{IN}$ , through the VIN to SW pins,  $L_{IND}$ ,  $C_{OUT}$ , and back to  $C_{IN}$ . The second current loop is formed by  $R_S$ , D1,  $L_{IND}$ ,  $C_{OUT}$ , and back to  $R_S$ . The ground connection from CSG to the ground end of  $C_{IN}$  should be as short and direct as possible.

### 10.2 Layout Example

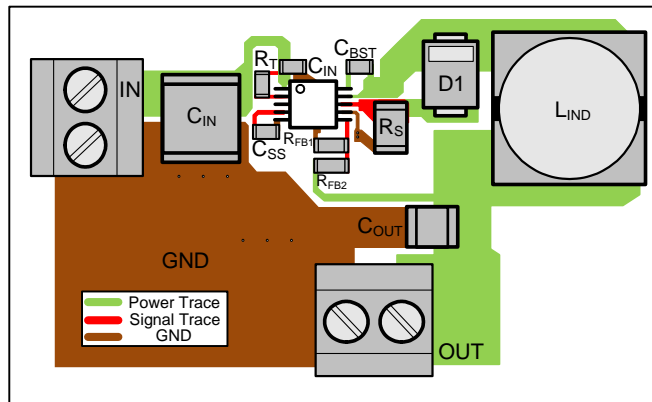


Figure 25. Typical Layout

### 10.3 Power Dissipation

The power dissipation within the LM25011 can be approximated by determining the total conversion loss ( $P_{IN} - P_{OUT}$ ) of the circuit, and then subtracting the power losses in the free-wheeling diode, the sense resistor, and the inductor. The power loss in the diode is approximately:

$$P_{D1} = I_{OUT} \times V_F \times (1 - D) \quad (26)$$

where  $I_{OUT}$  is the load current,  $V_F$  is the forward voltage drop of the diode, and  $D$  is the on-time duty cycle. The power loss in the sense resistor is:

$$P_{RS} = (I_{OUT})^2 \times R_S \times (1 - D) \quad (27)$$

The power loss in the inductor is approximately:

$$P_{L1} = I_{OUT}^2 \times R_L \times 1.1 \quad (28)$$

where  $R_L$  is the dc resistance of the inductor, and the 1.1 factor is an approximation for the ac losses. If it is expected that the internal dissipation of the LM25011 will produce excessive junction temperatures during normal operation, good use of the ground plane of the PC board can help to dissipate heat. Additionally the use of wide PC board traces, where possible, can help conduct heat away from the IC pins. Judicious positioning of the PC board within the end product, along with the use of any available air flow (forced or natural convection) can help reduce the junction temperature.

## 11 Device and Documentation Support

### 11.1 Custom Design with WEBENCH Tools

[Click here](#) to create a custom design using the LM25011 device with the WEBENCH® Power Designer.

1. Start by entering your  $V_{IN}$ ,  $V_{OUT}$  and  $I_{OUT}$  requirements.
2. Optimize your design for key parameters like efficiency, footprint and cost using the optimizer dial and compare this design with other possible solutions from Texas Instruments.
3. WEBENCH Power Designer provides you with a customized schematic along with a list of materials with real time pricing and component availability.
4. In most cases, you will also be able to:
  - Run electrical simulations to see important waveforms and circuit performance,
  - Run thermal simulations to understand the thermal performance of your board,
  - Export your customized schematic and layout into popular CAD formats,
  - Print PDF reports for the design, and share your design with colleagues.
5. Get more information about WEBENCH tools at [www.ti.com/webench](http://www.ti.com/webench).

### 11.2 Receiving Notification of Documentation Updates

To receive notification of documentation updates, navigate to the device product folder on ti.com. In the upper right corner, click on *Alert me* to register and receive a weekly digest of any product information that has changed. For change details, review the revision history included in any revised document.

### 11.3 Related Links

The table below lists quick access links. Categories include technical documents, support and community resources, tools and software, and quick access to sample or buy.

**Table 2. Related Links**

PARTS	PRODUCT FOLDER	SAMPLE & BUY	TECHNICAL DOCUMENTS	TOOLS & SOFTWARE	SUPPORT & COMMUNITY
LM25011	<a href="#">Click here</a>	<a href="#">Click here</a>	<a href="#">Click here</a>	<a href="#">Click here</a>	<a href="#">Click here</a>
LM25011-Q1	<a href="#">Click here</a>	<a href="#">Click here</a>	<a href="#">Click here</a>	<a href="#">Click here</a>	<a href="#">Click here</a>

### 11.4 Trademarks

WEBENCH is a registered trademark of Texas Instruments. All other trademarks are the property of their respective owners.

### 11.5 Electrostatic Discharge Caution



These devices have limited built-in ESD protection. The leads should be shorted together or the device placed in conductive foam during storage or handling to prevent electrostatic damage to the MOS gates.

### 11.6 Glossary

[SLYZ022](#) — *TI Glossary*.

This glossary lists and explains terms, acronyms, and definitions.

## 12 Mechanical, Packaging, and Orderable Information

The following pages include mechanical, packaging, and orderable information. This information is the most current data available for the designated devices. This data is subject to change without notice and revision of this document. For browser-based versions of this data sheet, refer to the left-hand navigation.

**PACKAGING INFORMATION**

Orderable Device	Status (1)	Package Type	Package Drawing	Pins	Package Qty	Eco Plan (2)	Lead/Ball Finish (6)	MSL Peak Temp (3)	Op Temp (°C)	Device Marking (4/5)	Samples
LM25011AMY	ACTIVE	MSOP-PowerPAD	DGQ	10	1000	Green (RoHS & no Sb/Br)	CU SN	Level-3-260C-168 HR	-40 to 125	SN9B	<a href="#">Samples</a>
LM25011AMYE	ACTIVE	MSOP-PowerPAD	DGQ	10	250	Green (RoHS & no Sb/Br)	CU SN	Level-3-260C-168 HR	-40 to 125	SN9B	<a href="#">Samples</a>
LM25011AMYX	ACTIVE	MSOP-PowerPAD	DGQ	10	3500	Green (RoHS & no Sb/Br)	CU SN	Level-3-260C-168 HR	-40 to 125	SN9B	<a href="#">Samples</a>
LM25011AQ1MY/NOPB	ACTIVE	MSOP-PowerPAD	DGQ	10	1000	Green (RoHS & no Sb/Br)	CU SN	Level-3-260C-168 HR	-40 to 125	SZZA	<a href="#">Samples</a>
LM25011AQ1MYX/NOPB	ACTIVE	MSOP-PowerPAD	DGQ	10	3500	Green (RoHS & no Sb/Br)	CU SN	Level-3-260C-168 HR	-40 to 125	SZZA	<a href="#">Samples</a>
LM25011MY/NOPB	ACTIVE	MSOP-PowerPAD	DGQ	10	1000	Green (RoHS & no Sb/Br)	CU SN	Level-3-260C-168 HR	-40 to 125	SVUB	<a href="#">Samples</a>
LM25011MYX/NOPB	ACTIVE	MSOP-PowerPAD	DGQ	10	3500	Green (RoHS & no Sb/Br)	CU SN	Level-3-260C-168 HR	-40 to 125	SVUB	<a href="#">Samples</a>
LM25011Q1MY/NOPB	ACTIVE	MSOP-PowerPAD	DGQ	10	1000	Green (RoHS & no Sb/Br)	CU SN	Level-3-260C-168 HR	-40 to 125	SZFB	<a href="#">Samples</a>
LM25011Q1MYX/NOPB	ACTIVE	MSOP-PowerPAD	DGQ	10	3500	Green (RoHS & no Sb/Br)	CU SN	Level-3-260C-168 HR	-40 to 125	SZFB	<a href="#">Samples</a>

(1) The marketing status values are defined as follows:

**ACTIVE:** Product device recommended for new designs.

**LIFEBUY:** TI has announced that the device will be discontinued, and a lifetime-buy period is in effect.

**NRND:** Not recommended for new designs. Device is in production to support existing customers, but TI does not recommend using this part in a new design.

**PREVIEW:** Device has been announced but is not in production. Samples may or may not be available.

**OBSOLETE:** TI has discontinued the production of the device.

(2) **RoHS:** TI defines "RoHS" to mean semiconductor products that are compliant with the current EU RoHS requirements for all 10 RoHS substances, including the requirement that RoHS substance do not exceed 0.1% by weight in homogeneous materials. Where designed to be soldered at high temperatures, "RoHS" products are suitable for use in specified lead-free processes. TI may reference these types of products as "Pb-Free".

**RoHS Exempt:** TI defines "RoHS Exempt" to mean products that contain lead but are compliant with EU RoHS pursuant to a specific EU RoHS exemption.

**Green:** TI defines "Green" to mean the content of Chlorine (Cl) and Bromine (Br) based flame retardants meet JS709B low halogen requirements of <=1000ppm threshold. Antimony trioxide based flame retardants must also meet the <=1000ppm threshold requirement.

(3) MSL, Peak Temp. - The Moisture Sensitivity Level rating according to the JEDEC industry standard classifications, and peak solder temperature.

(4) There may be additional marking, which relates to the logo, the lot trace code information, or the environmental category on the device.

(5) Multiple Device Markings will be inside parentheses. Only one Device Marking contained in parentheses and separated by a "~" will appear on a device. If a line is indented then it is a continuation of the previous line and the two combined represent the entire Device Marking for that device.

(6) Lead/Ball Finish - Orderable Devices may have multiple material finish options. Finish options are separated by a vertical ruled line. Lead/Ball Finish values may wrap to two lines if the finish value exceeds the maximum column width.

**Important Information and Disclaimer:**The information provided on this page represents TI's knowledge and belief as of the date that it is provided. TI bases its knowledge and belief on information provided by third parties, and makes no representation or warranty as to the accuracy of such information. Efforts are underway to better integrate information from third parties. TI has taken and continues to take reasonable steps to provide representative and accurate information but may not have conducted destructive testing or chemical analysis on incoming materials and chemicals. TI and TI suppliers consider certain information to be proprietary, and thus CAS numbers and other limited information may not be available for release.

In no event shall TI's liability arising out of such information exceed the total purchase price of the TI part(s) at issue in this document sold by TI to Customer on an annual basis.

**OTHER QUALIFIED VERSIONS OF LM25011, LM25011-Q1 :**

- Catalog: [LM25011](#)
- Automotive: [LM25011-Q1](#)

NOTE: Qualified Version Definitions:

- Catalog - TI's standard catalog product
- Automotive - Q100 devices qualified for high-reliability automotive applications targeting zero defects

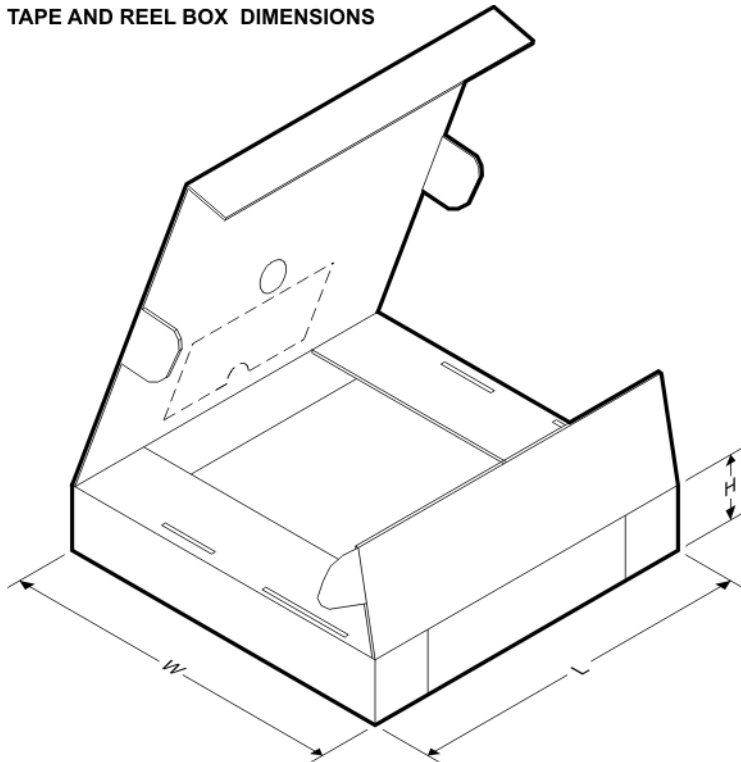
**TAPE AND REEL INFORMATION**

**QUADRANT ASSIGNMENTS FOR PIN 1 ORIENTATION IN TAPE**


\*All dimensions are nominal

Device	Package Type	Package Drawing	Pins	SPQ	Reel Diameter (mm)	Reel Width W1 (mm)	A0 (mm)	B0 (mm)	K0 (mm)	P1 (mm)	W (mm)	Pin1 Quadrant
LM25011AMY	MSOP-Power PAD	DGQ	10	1000	178.0	12.4	5.3	3.4	1.4	8.0	12.0	Q1
LM25011AMYE	MSOP-Power PAD	DGQ	10	250	178.0	12.4	5.3	3.4	1.4	8.0	12.0	Q1
LM25011AMYX	MSOP-Power PAD	DGQ	10	3500	330.0	12.4	5.3	3.4	1.4	8.0	12.0	Q1
LM25011AQ1MY/NOPB	MSOP-Power PAD	DGQ	10	1000	178.0	12.4	5.3	3.4	1.4	8.0	12.0	Q1
LM25011AQ1MYX/NOPB	MSOP-Power PAD	DGQ	10	3500	330.0	12.4	5.3	3.4	1.4	8.0	12.0	Q1
LM25011MY/NOPB	MSOP-Power PAD	DGQ	10	1000	178.0	12.4	5.3	3.4	1.4	8.0	12.0	Q1
LM25011MYX/NOPB	MSOP-Power PAD	DGQ	10	3500	330.0	12.4	5.3	3.4	1.4	8.0	12.0	Q1
LM25011Q1MY/NOPB	MSOP-	DGQ	10	1000	178.0	12.4	5.3	3.4	1.4	8.0	12.0	Q1

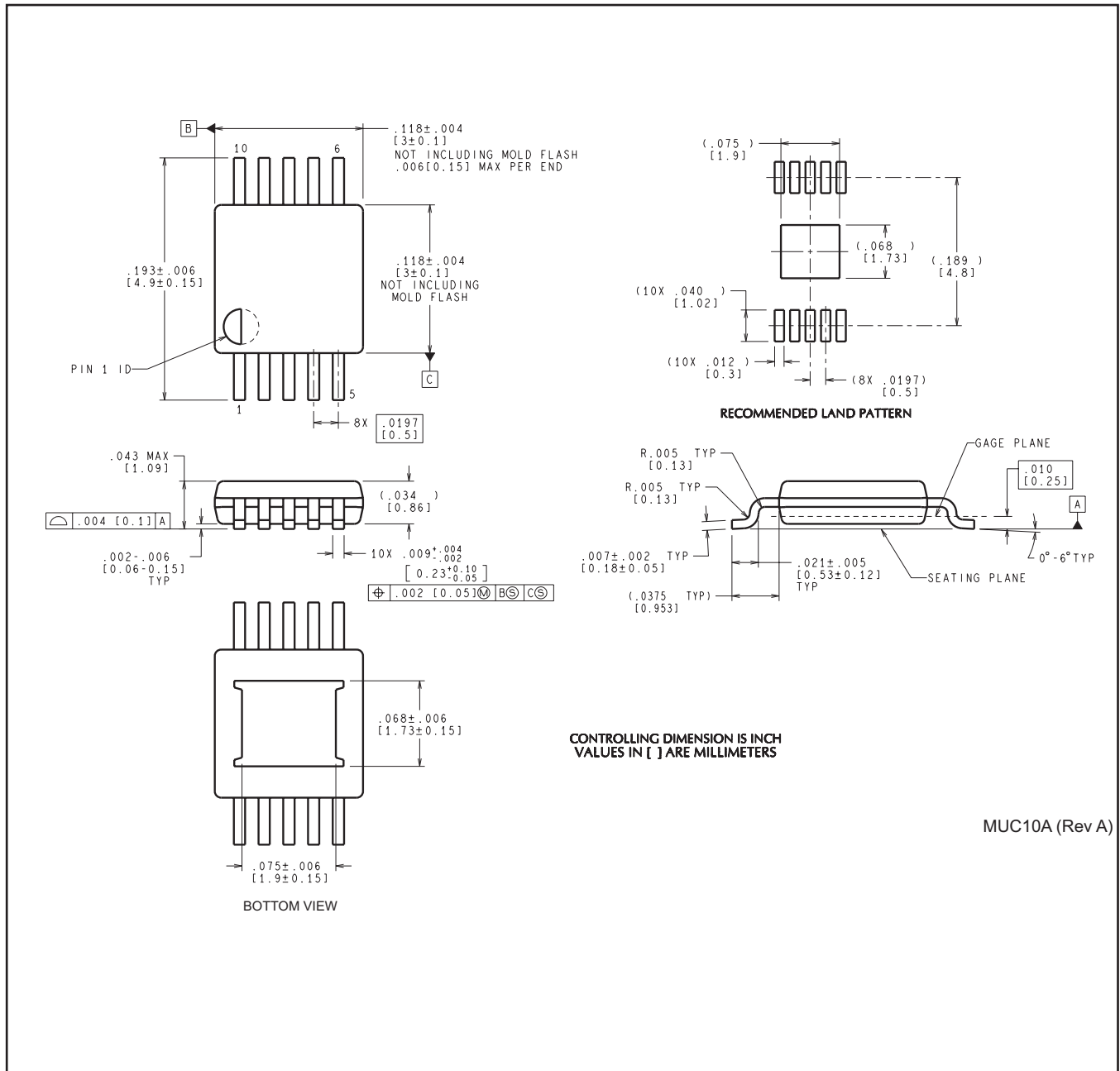
Device	Package Type	Package Drawing	Pins	SPQ	Reel Diameter (mm)	Reel Width W1 (mm)	A0 (mm)	B0 (mm)	K0 (mm)	P1 (mm)	W (mm)	Pin1 Quadrant
	Power PAD											
LM25011Q1MYX/NOPB	MSOP-Power PAD	DGQ	10	3500	330.0	12.4	5.3	3.4	1.4	8.0	12.0	Q1

**TAPE AND REEL BOX DIMENSIONS**


\*All dimensions are nominal

Device	Package Type	Package Drawing	Pins	SPQ	Length (mm)	Width (mm)	Height (mm)
LM25011AMY	MSOP-PowerPAD	DGQ	10	1000	210.0	185.0	35.0
LM25011AMYE	MSOP-PowerPAD	DGQ	10	250	210.0	185.0	35.0
LM25011AMYX	MSOP-PowerPAD	DGQ	10	3500	367.0	367.0	35.0
LM25011AQ1MY/NOPB	MSOP-PowerPAD	DGQ	10	1000	210.0	185.0	35.0
LM25011AQ1MYX/NOPB	MSOP-PowerPAD	DGQ	10	3500	367.0	367.0	35.0
LM25011MY/NOPB	MSOP-PowerPAD	DGQ	10	1000	210.0	185.0	35.0
LM25011MYX/NOPB	MSOP-PowerPAD	DGQ	10	3500	367.0	367.0	35.0
LM25011Q1MY/NOPB	MSOP-PowerPAD	DGQ	10	1000	210.0	185.0	35.0
LM25011Q1MYX/NOPB	MSOP-PowerPAD	DGQ	10	3500	367.0	367.0	35.0

DGQ0010A



MUC10A (Rev A)

## IMPORTANT NOTICE AND DISCLAIMER

TI PROVIDES TECHNICAL AND RELIABILITY DATA (INCLUDING DATASHEETS), DESIGN RESOURCES (INCLUDING REFERENCE DESIGNS), APPLICATION OR OTHER DESIGN ADVICE, WEB TOOLS, SAFETY INFORMATION, AND OTHER RESOURCES "AS IS" AND WITH ALL FAULTS, AND DISCLAIMS ALL WARRANTIES, EXPRESS AND IMPLIED, INCLUDING WITHOUT LIMITATION ANY IMPLIED WARRANTIES OF MERCHANTABILITY, FITNESS FOR A PARTICULAR PURPOSE OR NON-INFRINGEMENT OF THIRD PARTY INTELLECTUAL PROPERTY RIGHTS.

These resources are intended for skilled developers designing with TI products. You are solely responsible for (1) selecting the appropriate TI products for your application, (2) designing, validating and testing your application, and (3) ensuring your application meets applicable standards, and any other safety, security, or other requirements. These resources are subject to change without notice. TI grants you permission to use these resources only for development of an application that uses the TI products described in the resource. Other reproduction and display of these resources is prohibited. No license is granted to any other TI intellectual property right or to any third party intellectual property right. TI disclaims responsibility for, and you will fully indemnify TI and its representatives against, any claims, damages, costs, losses, and liabilities arising out of your use of these resources.

TI's products are provided subject to TI's Terms of Sale ([www.ti.com/legal/termsofsale.html](http://www.ti.com/legal/termsofsale.html)) or other applicable terms available either on [ti.com](http://ti.com) or provided in conjunction with such TI products. TI's provision of these resources does not expand or otherwise alter TI's applicable warranties or warranty disclaimers for TI products.

Mailing Address: Texas Instruments, Post Office Box 655303, Dallas, Texas 75265  
Copyright © 2019, Texas Instruments Incorporated

## Looking for pricing, stock, or lifecycle information?

Click below to explore more details on WIN SOURCE:

- ⊖ [View LM25011AQ1MYX/NOPB on WIN SOURCE](#)
- ⊖ [Texas Instruments](#) Information

## Optimize Your Supply Chain with WIN SOURCE Solutions

- ✓ Global Sourcing Solution
- ✓ Obsolete Management
- ✓ Cost Control Management
- ✓ Shortage Management
- ✓ Alternative Solution
- ✓ Excess Inventory Management