



**THE DATASHEET OF  
TMS320C6211BZFN167**



# TMS320C6211, TMS320C6211B FIXED-POINT DIGITAL SIGNAL PROCESSORS

SPRS073L – AUGUST 1998 – REVISED JUNE 2005

- **Excellent Price/Performance Digital Signal Processors (DSPs): TMS320C62x™ (TMS320C6211 and TMS320C6211B)**
  - Eight 32-Bit Instructions/Cycle
  - C6211, C6211B, C6711, and C6711B are Pin-Compatible
  - 150-, 167-MHz Clock Rates
  - 6.7-, 6-ns Instruction Cycle Time
  - 1200, 1333 MIPS
  - Extended Temperature Device (C6211B)
- **VelociTI™ Advanced Very Long Instruction Word (VLIW) C62x™ DSP Core (C6211/11B)**
  - Eight Highly Independent Functional Units:
    - Six ALUs (32-/40-Bit)
    - Two 16-Bit Multipliers (32-Bit Results)
  - Load-Store Architecture With 32 32-Bit General-Purpose Registers
  - Instruction Packing Reduces Code Size
  - All Instructions Conditional
- **Instruction Set Features**
  - Byte-Addressable (8-, 16-, 32-Bit Data)
  - 8-Bit Overflow Protection
  - Saturation
  - Bit-Field Extract, Set, Clear
  - Bit-Counting
  - Normalization
- **L1/L2 Memory Architecture**
  - 32K-Bit (4K-Byte) L1P Program Cache (Direct Mapped)
  - 32K-Bit (4K-Byte) L1D Data Cache (2-Way Set-Associative)
  - 512K-Bit (64K-Byte) L2 Unified Mapped RAM/Cache (Flexible Data/Program Allocation)
- **Device Configuration**
  - Boot Mode: HPI, 8-, 16-, and 32-Bit ROM Boot
  - Endianness: Little Endian, Big Endian
- **32-Bit External Memory Interface (EMIF)**
  - Glueless Interface to Asynchronous Memories: SRAM and EPROM
  - Glueless Interface to Synchronous Memories: SDRAM and SBSRAM
  - 512M-Byte Total Addressable External Memory Space
- **Enhanced Direct-Memory-Access (EDMA) Controller (16 Independent Channels)**
- **16-Bit Host-Port Interface (HPI)**
  - Access to Entire Memory Map
- **Two Multichannel Buffered Serial Ports (McBSPs)**
  - Direct Interface to T1/E1, MVIP, SCSA Framers
  - ST-Bus-Switching Compatible
  - Up to 256 Channels Each
  - AC97-Compatible
  - Serial-Peripheral-Interface (SPI) Compatible (Motorola™)
- **Two 32-Bit General-Purpose Timers**
- **Flexible Phase-Locked-Loop (PLL) Clock Generator**
- **IEEE-1149.1 (JTAG†) Boundary-Scan-Compatible**
- **256-Pin Ball Grid Array (BGA) Package (GFN and ZFN Suffixes)**
- **0.18-μm/5-Level Metal Process**
  - CMOS Technology
- **3.3-V I/Os, 1.8-V Internal**



Please be aware that an important notice concerning availability, standard warranty, and use in critical applications of Texas Instruments semiconductor products and disclaimers thereto appears at the end of this data sheet.

TMS320C62x, VelociTI, and C62x are trademarks of Texas Instruments.

Motorola is a trademark of Motorola, Inc.

All trademarks are the property of their respective owners.

† IEEE Standard 1149.1-1990 Standard-Test-Access Port and Boundary Scan Architecture.

PRODUCTION DATA information is current as of publication date. Products conform to specifications per the terms of Texas Instruments standard warranty. Production processing does not necessarily include testing of all parameters.



Copyright © 2004, Texas Instruments Incorporated

# TMS320C6211, TMS320C6211B FIXED-POINT DIGITAL SIGNAL PROCESSORS

SPRS073L – AUGUST 1998 – REVISED JUNE 2005

## Table of Contents

|   |    |   |    |
|---|----|---|----|
| revision history .....                            | 3  | absolute maximum ratings over operating case<br>temperature range .....                                   | 42 |
| GFN and ZFN BGA packages (bottom view) .....      | 4  | recommended operating conditions .....  | 42 |
| description .....                                 | 5  | electrical characteristics over recommended ranges of<br>supply voltage and operating case temperature .. | 42 |
| device characteristics .....                      | 6  | parameter measurement information .....   | 43 |
| device compatibility .....                        | 7  | signal transition levels .....  | 43 |
| functional block and CPU (DSP core) diagram ..... | 8  | timing parameters and board routing analysis .....  | 44 |
| CPU (DSP core) description .....                  | 9  | input and output clocks .....   | 46 |
| memory map summary .....                          | 11 | asynchronous memory timing .....  | 49 |
| peripheral register descriptions .....            | 12 | synchronous-burst memory timing .....   | 52 |
| PWRD bits in CPU CSR register description .....   | 17 | synchronous DRAM timing .....   | 54 |
| EDMA channel synchronization events .....         | 18 | HOLD/HOLDA timing .....   | 60 |
| interrupt sources and interrupt selector .....    | 19 | BUSREQ timing .....   | 61 |
| signal groups description .....                   | 20 | reset timing .....  | 62 |
| terminal functions .....                          | 22 | external interrupt timing .....   | 64 |
| development support .....                         | 30 | host-port interface timing .....  | 65 |
| documentation support .....                       | 33 | multichannel buffered serial port timing .....  | 69 |
| clock PLL .....                                   | 34 | timer timing .....  | 80 |
| power-down logic .....                            | 36 | JTAG test-port timing .....   | 81 |
| power-supply sequencing .....                     | 39 | mechanical data .....   | 82 |
| IEEE 1149.1 JTAG compatibility statement .....    | 40 |   |    |
| EMIF device speed .....                           | 40 |   |    |
| bootmode .....                                    | 41 |   |    |



## REVISION HISTORY

This data sheet revision history highlights the technical changes made to the SPRS073K device-specific data sheet to make it an SPRS073L revision.

**Scope:** Applicable updates to the C62x device family, specifically relating to the C6211 and C6211B devices, have been incorporated.

| PAGE(S)<br>NO. | ADDITIONS/CHANGES/DELETIONS  |
|----------------|--|
|                | Global:<br>Added "ZFN" mechanical packaging information  |
| 3              | Moved the Revision History to the front of the document  |
| 31             | Device Support, Device and Development-Support Tool Nomenclature section:<br>Updated the "To designate the stages in the product development cycle..." paragraph<br>Updated the "TMX and TMP devices..." paragraph<br>Added "The ZFN package, like the GFN package, is ..." paragraph  |
| 32             | Figure 4. TMS320C6000™ DSP Device Nomenclature (Including the TMS320C6211 and TMS320C6211B Devices):<br>Deleted the "TMS320C6211/C6211B Device Part Numbers (P/Ns) and Ordering Information" table and associated paragraph<br>Added "ZFN" package and associated footnote<br>Added the "For actual device part numbers (P/Ns) and ordering information, ..." footnote |
| 82, 83         | Mechanical Data section:<br>Deleted the "GFN (S-PBGA-N256)" mechanical data package diagram; now an automated merge process<br>Added "thermal resistance characteristics (S-PBGA package) for ZFN" table<br>Added new "Packaging Information" title and lead-in sentence   |

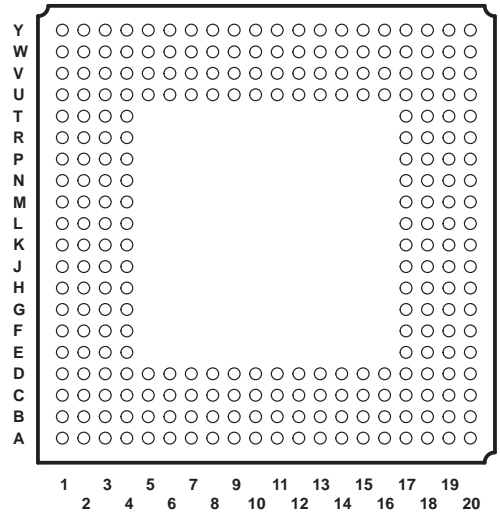
# TMS320C6211, TMS320C6211B FIXED-POINT DIGITAL SIGNAL PROCESSORS

SPRS073L – AUGUST 1998 – REVISED JUNE 2005

---

## GFN and ZFN BGA packages (bottom view)

GFN and ZFN 256-PIN BALL GRID ARRAY (BGA) PACKAGES  
(BOTTOM VIEW)



## description

The TMS320C62x™ DSPs (including the TMS320C6211/C6211B devices) compose one of the fixed-point DSP families in the TMS320C6000™ DSP platform. The TMS320C6211 (C6211) and TMS320C6211B (C6211B) devices are based on the high-performance, advanced VelociTI™ very-long-instruction-word (VLIW) architecture developed by Texas Instruments (TI), making these DSPs an excellent choice for multichannel and multifunction applications.

With performance of up to 1333 million instructions per second (MIPS) at a clock rate of 167 MHz, the C6211/C6211B device offers cost-effective solutions to high-performance DSP programming challenges. The C6211/C6211B DSP possesses the operational flexibility of high-speed controllers and the numerical capability of array processors. This processor has 32 general-purpose registers of 32-bit word length and eight highly independent functional units. The eight functional units provide six arithmetic logic units (ALUs) for a high degree of parallelism and two 16-bit multipliers for a 32-bit result. The C6211/C6211B can produce two multiply-accumulates (MACs) per cycle for a total of 333 million MACs per second (MMACS). The C6211/C6211B DSP also has application-specific hardware logic, on-chip memory, and additional on-chip peripherals.

The C6211/C6211B uses a two-level cache-based architecture and has a powerful and diverse set of peripherals. The Level 1 program cache (L1P) is a 32-Kbit direct mapped cache and the Level 1 data cache (L1D) is a 32-Kbit 2-way set-associative cache. The Level 2 memory/cache (L2) consists of a 512-Kbit memory space that is shared between program and data space. L2 memory can be configured as mapped memory, cache, or combinations of the two. The peripheral set includes two multichannel buffered serial ports (McBSPs), two general-purpose timers, a host-port interface (HPI), and a glueless external memory interface (EMIF) capable of interfacing to SDRAM, SBSRAM and asynchronous peripherals.

The C6211/C6211B has a complete set of development tools which includes: a new C compiler, an assembly optimizer to simplify programming and scheduling, and a Windows™ debugger interface for visibility into source code execution.

TMS320C6000 is a trademark of Texas Instruments.

Windows is a registered trademark of the Microsoft Corporation.

---



# TMS320C6211, TMS320C6211B FIXED-POINT DIGITAL SIGNAL PROCESSORS

SPRS073L – AUGUST 1998 – REVISED JUNE 2005

## device characteristics

Table 1 provides an overview of the C6211/C6211B DSP. The table shows significant features of each device, including the capacity of on-chip RAM, the peripherals, the execution time, and the package type with pin count. For more details on the C6000™ DSP device part numbers and part numbering, see Figure 4.

**Table 1. Characteristics of the C6211/C6211B Processors**

| HARDWARE FEATURES  |   | C6211<br>(FIXED-POINT DSP)  | C6211B<br>(FIXED-POINT DSP)   |
|--|---|---|---|
| Peripherals  | EMIF<br>(Clock source = ECLKIN)                                     | 1   | 1   |
|  | EDMA<br>(Internal clock source =<br>CPU clock frequency)            | 1   | 1   |
|  | HPI   | 1   | 1   |
|  | McBSPs<br>(Internal clock source =<br>CPU/2 clock frequency)        | 2   | 2   |
|  | 32-Bit Timers<br>(Internal clock source =<br>CPU/4 clock frequency) | 2   | 2   |
| On-Chip<br>Memory  | Size (Bytes)  | 72K   | 72K   |
|  | Organization  | 4K-Byte (4KB) L1 Program (L1P) Cache<br>4KB L1 Data (L1D) Cache<br>64KB Unified Mapped RAM/Cache (L2) | 4K-Byte (4KB) L1 Program (L1P) Cache<br>4KB L1 Data (L1D) Cache<br>64KB Unified Mapped RAM/Cache (L2) |
| CPU ID+<br>CPU Rev ID  | Control Status Register<br>(CSR.[31:16])                            | 0x0002  | 0x0002  |
| Frequency  | MHz   | 167, 150  | 167, 150  |
| Cycle Time   | ns  | 6 ns (C6211-167)<br>6.7 ns (C6211-150)  | 6 ns (C6211B-167)<br>6.7 ns (C6211B-150)<br>6.7 ns (C6211BGFNA-150)                                   |
| Voltage  | Core (V)  | 1.8   | 1.8   |
|  | I/O (V)   | 3.3   | 3.3   |
| PLL Options  | CLKIN frequency multiplier  | Bypass (x1), x4   | Bypass (x1), x4   |
| BGA Packages   | 27 x 27 mm  | 256-Pin BGA (GFN)   | 256-Pin BGA (GFN and ZFN)   |
| Process<br>Technology  | µm  | 0.18 µm   | 0.18 µm   |
| Product Status<br>Product Preview (PP)<br>Advance Information (AI)<br>Production Data (PD) |   | PD  | PD  |

C6000 is a trademark of Texas Instruments.



POST OFFICE BOX 1443 • HOUSTON, TEXAS 77251-1443

## **device compatibility**

The TMS320C6211/C6211B and C6711/C6711B devices are pin-compatible and have the same peripheral set; thus, making new system designs easier and providing faster time to market. The following list summarizes the device characteristic differences among the C6211, C6211B, C6711, and C6711B devices:

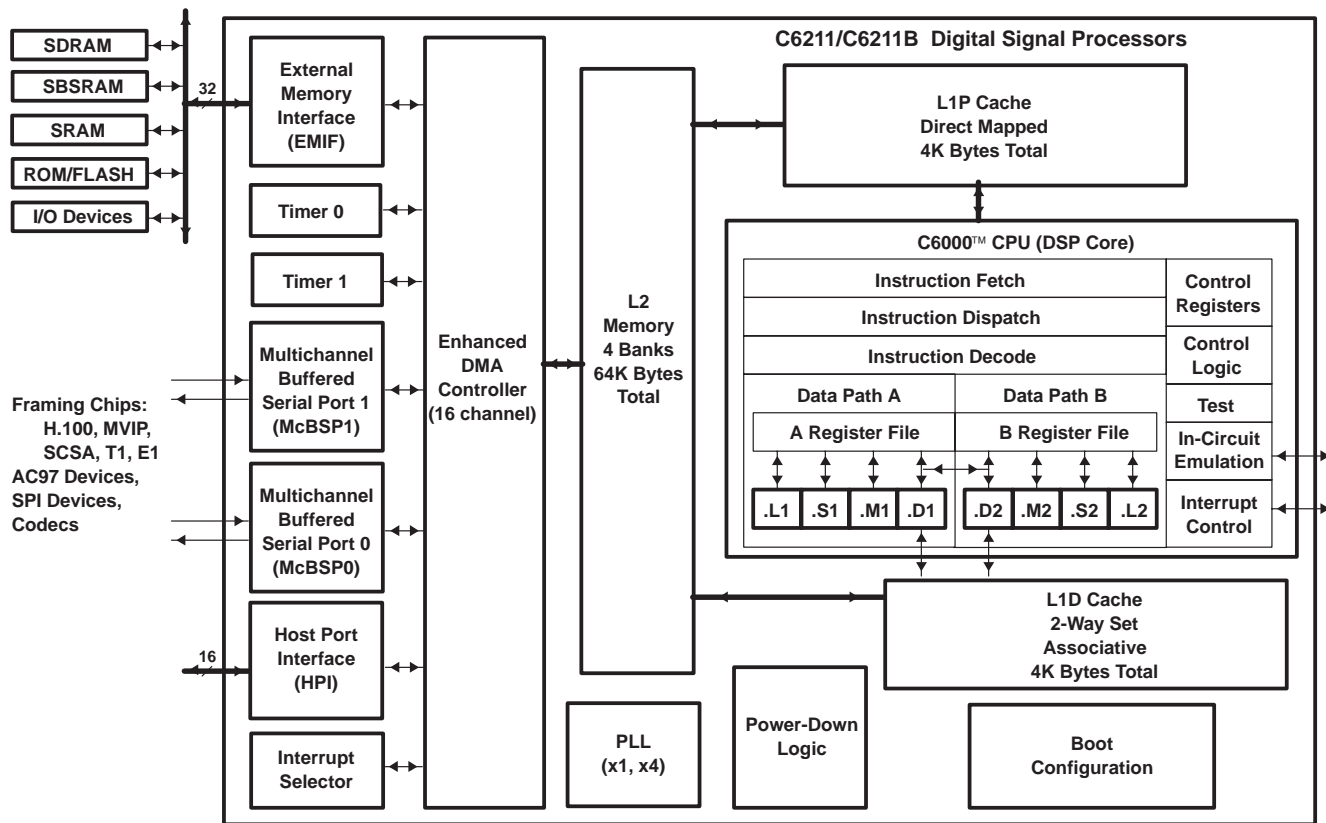
- The C6211 and C6211B devices have a fixed-point C62x CPU, while the C6711 and C6711B devices have a floating-point C67x CPU.
- The C6211/C6211B device runs at -167 and -150 MHz clock speeds (with a C6211BGFNA extended temperature device that also runs at -150 MHz), while the C6711/C6711B device runs at -150 and -100 MHz (with a C6711BGFNA extended temperature device that also runs at -100 MHz).

For a more detailed discussion on the similarities/differences between the C6211 and C6711 devices, see the *How to Begin Development Today with the TMS320C6211 DSP* and *How to Begin Development with the TMS320C6711 DSP* application reports (literature number SPRA474 and SPRA522, respectively).

# TMS320C6211, TMS320C6211B FIXED-POINT DIGITAL SIGNAL PROCESSORS

SPRS073L – AUGUST 1998 – REVISED JUNE 2005

## functional block and CPU (DSP core) diagram



---

## **CPU (DSP core) description**

The CPU fetches VelociTI™ advanced very-long instruction words (VLIW) (256 bits wide) to supply up to eight 32-bit instructions to the eight functional units during every clock cycle. The VelociTI™ VLIW architecture features controls by which all eight units do not have to be supplied with instructions if they are not ready to execute. The first bit of every 32-bit instruction determines if the next instruction belongs to the same execute packet as the previous instruction, or whether it should be executed in the following clock as a part of the next execute packet. Fetch packets are always 256 bits wide; however, the execute packets can vary in size. The variable-length execute packets are a key memory-saving feature, distinguishing the C62x CPU from other VLIW architectures.

The CPU features two sets of functional units. Each set contains four units and a register file. One set contains functional units .L1, .S1, .M1, and .D1; the other set contains units .D2, .M2, .S2, and .L2. The two register files each contain 16 32-bit registers for a total of 32 general-purpose registers. The two sets of functional units, along with two register files, compose sides A and B of the CPU (see the functional block and CPU diagram and Figure 1). The four functional units on each side of the CPU can freely share the 16 registers belonging to that side. Additionally, each side features a single data bus connected to all the registers on the other side, by which the two sets of functional units can access data from the register files on the opposite side. While register access by functional units on the same side of the CPU as the register file can service all the units in a single clock cycle, register access using the register file across the CPU supports one read and one write per cycle.

Another key feature of the C62x CPU is the load/store architecture, where all instructions operate on registers (as opposed to data in memory). Two sets of data-addressing units (.D1 and .D2) are responsible for all data transfers between the register files and the memory. The data address driven by the .D units allows data addresses generated from one register file to be used to load or store data to or from the other register file. The C62x CPU supports a variety of indirect addressing modes using either linear- or circular-addressing modes with 5- or 15-bit offsets. All instructions are conditional, and most can access any one of the 32 registers. Some registers, however, are singled out to support specific addressing or to hold the condition for conditional instructions (if the condition is not automatically “true”). The two .M functional units are dedicated for multiplies. The two .S and .L functional units perform a general set of arithmetic, logical, and branch functions with results available every clock cycle.

The processing flow begins when a 256-bit-wide instruction fetch packet is fetched from a program memory. The 32-bit instructions destined for the individual functional units are “linked” together by “1” bits in the least significant bit (LSB) position of the instructions. The instructions that are “chained” together for simultaneous execution (up to eight in total) compose an execute packet. A “0” in the LSB of an instruction breaks the chain, effectively placing the instructions that follow it in the next execute packet. If an execute packet crosses the fetch-packet boundary (256 bits wide), the assembler places it in the next fetch packet, while the remainder of the current fetch packet is padded with NOP instructions. The number of execute packets within a fetch packet can vary from one to eight. Execute packets are dispatched to their respective functional units at the rate of one per clock cycle and the next 256-bit fetch packet is not fetched until all the execute packets from the current fetch packet have been dispatched. After decoding, the instructions simultaneously drive all active functional units for a maximum execution rate of eight instructions every clock cycle. While most results are stored in 32-bit registers, they can be subsequently moved to memory as bytes or half-words as well. All load and store instructions are byte-, half-word, or word-addressable.

# TMS320C6211, TMS320C6211B FIXED-POINT DIGITAL SIGNAL PROCESSORS

SPRS073L – AUGUST 1998 – REVISED JUNE 2005

## CPU (DSP core) description (continued)

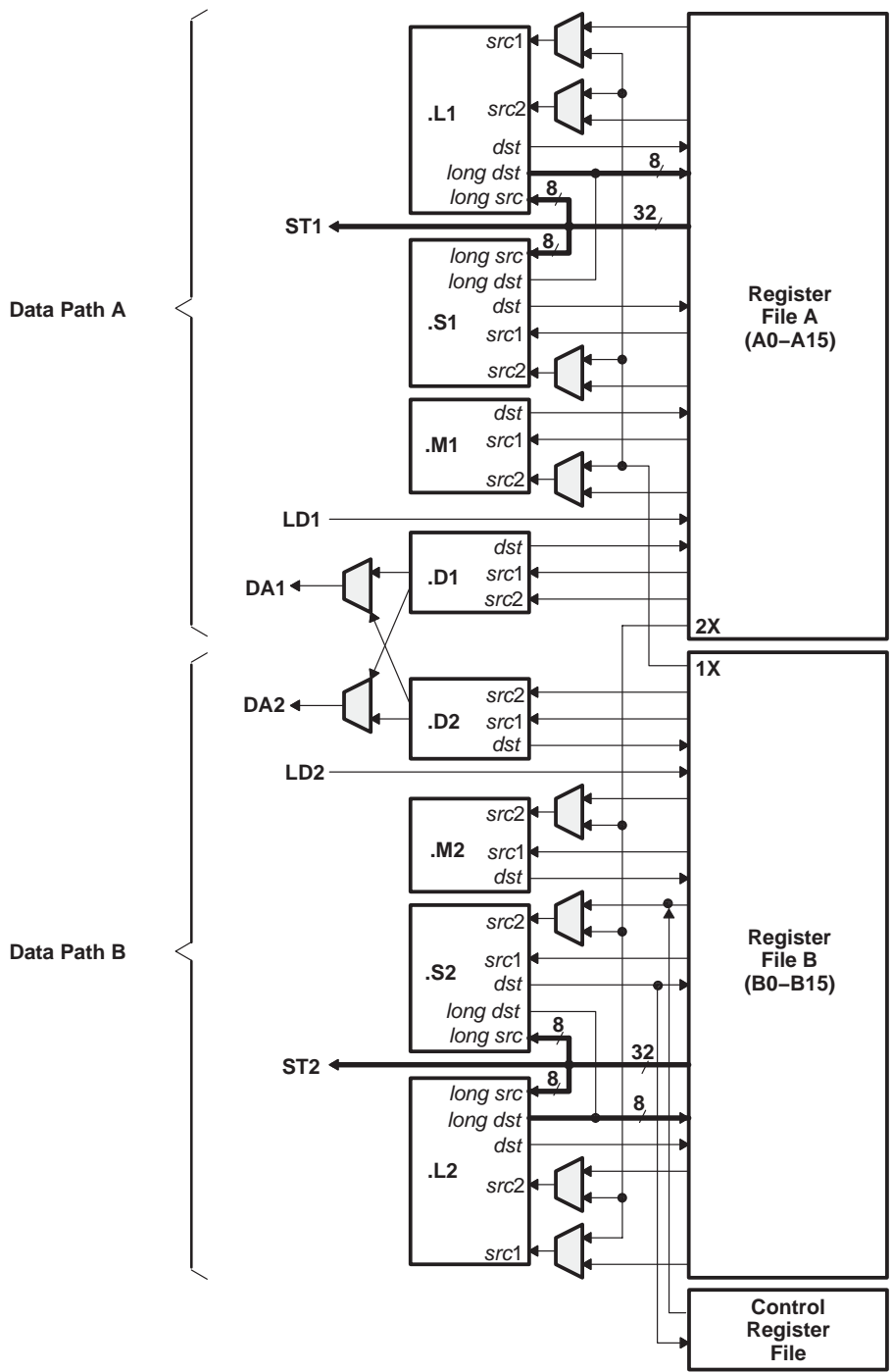


Figure 1. TMS320C62x™ CPU (DSP Core) Data Paths

**memory map summary**

Table 2 shows the memory map address ranges of the C6211/C6211B devices. Internal memory is always located at address 0 and can be used as both program and data memory. The C6211/C6211B configuration registers for the common peripherals are located at the same hex address ranges. The external memory address ranges in the C6211/C6211B devices begin at the address location 0x8000 0000.

**Table 2. TMS320C6211/C6211B Memory Map Summary**

| MEMORY BLOCK DESCRIPTION                   | BLOCK SIZE (BYTES) | HEX ADDRESS RANGE     |
|--|--------------------|-----------------------|
| Internal RAM (L2)                          | 64K                | 0000 0000 – 0000 FFFF |
| Reserved                                   | 24M – 64K          | 0001 0000 – 017F FFFF |
| External Memory Interface (EMIF) Registers | 256K               | 0180 0000 – 0183 FFFF |
| L2 Registers                               | 256K               | 0184 0000 – 0187 FFFF |
| HPI Registers                              | 256K               | 0188 0000 – 018B FFFF |
| McBSP 0 Registers                          | 256K               | 018C 0000 – 018F FFFF |
| McBSP 1 Registers                          | 256K               | 0190 0000 – 0193 FFFF |
| Timer 0 Registers                          | 256K               | 0194 0000 – 0197 FFFF |
| Timer 1 Registers                          | 256K               | 0198 0000 – 019B FFFF |
| Interrupt Selector Registers               | 256K               | 019C 0000 – 019F FFFF |
| EDMA RAM and EDMA Registers                | 256K               | 01A0 0000 – 01A3 FFFF |
| Reserved                                   | 6M – 256K          | 01A4 0000 – 01FF FFFF |
| QDMA Registers                             | 52                 | 0200 0000 – 0200 0033 |
| Reserved                                   | 736M – 52          | 0200 0034 – 2FFF FFFF |
| McBSP 0/1 Data                             | 256M               | 3000 0000 – 3FFF FFFF |
| Reserved                                   | 1G                 | 4000 0000 – 7FFF FFFF |
| EMIF CE0†                                  | 256M               | 8000 0000 – 8FFF FFFF |
| EMIF CE1†                                  | 256M               | 9000 0000 – 9FFF FFFF |
| EMIF CE2†                                  | 256M               | A000 0000 – AFFF FFFF |
| EMIF CE3†                                  | 256M               | B000 0000 – BFFF FFFF |
| Reserved                                   | 1G                 | C000 0000 – FFFF FFFF |

† The number of EMIF address pins (EA[21:2]) limits the maximum addressable memory (SDRAM) to 128MB per CE space. To get 256MB of addressable memory, additional general-purpose output pin or external logic is required.

# TMS320C6211, TMS320C6211B FIXED-POINT DIGITAL SIGNAL PROCESSORS

SPRS073L – AUGUST 1998 – REVISED JUNE 2005

## peripheral register descriptions

Table 3 through Table 13 identify the peripheral registers for the C6211/C6211B device by their register names, acronyms, and hex address or hex address range. For more detailed information on the register contents, bit names, and their descriptions, see the *TMS320C6000 DSP Peripherals Overview Reference Guide* (literature number SPRU190).

**Table 3. EMIF Registers**

| HEX ADDRESS RANGE     | ACRONYM | REGISTER NAME              |
|-----------------------|---------|----------------------------|
| 0180 0000             | GBLCTL  | EMIF global control        |
| 0180 0004             | CECTL1  | EMIF CE1 space control     |
| 0180 0008             | CECTL0  | EMIF CE0 space control     |
| 0180 000C             | –       | Reserved                   |
| 0180 0010             | CECTL2  | EMIF CE2 space control     |
| 0180 0014             | CECTL3  | EMIF CE3 space control     |
| 0180 0018             | SDCTL   | EMIF SDRAM control         |
| 0180 001C             | SDTIM   | EMIF SDRAM refresh control |
| 0180 0020             | SDEXT   | EMIF SDRAM extension       |
| 0180 0024 – 0183 FFFF | –       | Reserved                   |

**Table 4. L2 Cache Registers**

| HEX ADDRESS RANGE     | ACRONYM | REGISTER NAME                            |
|-----------------------|---------|--|
| 0184 0000             | CCFG    | Cache configuration register             |
| 0184 4000             | L2FBAR  | L2 flush base address register           |
| 0184 4004             | L2FWC   | L2 flush word count register             |
| 0184 4010             | L2CBAR  | L2 clean base address register           |
| 0184 4014             | L2CWC   | L2 clean word count register             |
| 0184 4020             | L1PFBAR | L1P flush base address register          |
| 0184 4024             | L1PFWC  | L1P flush word count register            |
| 0184 4030             | L1DFBAR | L1D flush base address register          |
| 0184 4034             | L1DFWC  | L1D flush word count register            |
| 0184 5000             | L2FLUSH | L2 flush register                        |
| 0184 5004             | L2CLEAN | L2 clean register                        |
| 0184 8200             | MAR0    | Controls CE0 range 8000 0000 – 80FF FFFF |
| 0184 8204             | MAR1    | Controls CE0 range 8100 0000 – 81FF FFFF |
| 0184 8208             | MAR2    | Controls CE0 range 8200 0000 – 82FF FFFF |
| 0184 820C             | MAR3    | Controls CE0 range 8300 0000 – 83FF FFFF |
| 0184 8240             | MAR4    | Controls CE1 range 9000 0000 – 90FF FFFF |
| 0184 8244             | MAR5    | Controls CE1 range 9100 0000 – 91FF FFFF |
| 0184 8248             | MAR6    | Controls CE1 range 9200 0000 – 92FF FFFF |
| 0184 824C             | MAR7    | Controls CE1 range 9300 0000 – 93FF FFFF |
| 0184 8280             | MAR8    | Controls CE2 range A000 0000 – A0FF FFFF |
| 0184 8284             | MAR9    | Controls CE2 range A100 0000 – A1FF FFFF |
| 0184 8288             | MAR10   | Controls CE2 range A200 0000 – A2FF FFFF |
| 0184 828C             | MAR11   | Controls CE2 range A300 0000 – A3FF FFFF |
| 0184 82C0             | MAR12   | Controls CE3 range B000 0000 – B0FF FFFF |
| 0184 82C4             | MAR13   | Controls CE3 range B100 0000 – B1FF FFFF |
| 0184 82C8             | MAR14   | Controls CE3 range B200 0000 – B2FF FFFF |
| 0184 82CC             | MAR15   | Controls CE3 range B300 0000 – B3FF FFFF |
| 0184 82D0 – 0187 FFFF | –       | Reserved                                 |



**peripheral register descriptions (continued)**

**Table 5. EDMA Registers**

| HEX ADDRESS RANGE     | ACRONYM | REGISTER NAME                      |
|-----------------------|---------|------------------------------------|
| 01A0 FF9C – 01A0 FFDC | –       | Reserved                           |
| 01A0 FFE0             | PQSR    | Priority queue status register     |
| 01A0 FFE4             | CIPR    | Channel interrupt pending register |
| 01A0 FFE8             | CIER    | Channel interrupt enable register  |
| 01A0 FFEC             | CCER    | Channel chain enable register      |
| 01A0 FFF0             | ER      | Event register                     |
| 01A0 FFF4             | EER     | Event enable register              |
| 01A0 FFF8             | ECR     | Event clear register               |
| 01A0 FFFC             | ESR     | Event set register                 |
| 01A1 0000 – 01A3 FFFF | –       | Reserved                           |

**Table 6. EDMA Parameter RAM†**

| HEX ADDRESS RANGE      | ACRONYM | REGISTER NAME                                |
|------------------------|---------|--|
| 01A0 0000 – 01A0 0017  | –       | Parameters for Event 0 (6 words)             |
| 01A0 0018 – 01A0 002F  | –       | Parameters for Event 1 (6 words)             |
| 01A0 0030 – 01A0 0047  | –       | Parameters for Event 2 (6 words)             |
| 01A0 0048 – 01A0 005F  | –       | Parameters for Event 3 (6 words)             |
| 01A0 0060 – 01A0 0077  | –       | Parameters for Event 4 (6 words)             |
| 01A0 0078 – 01A0 008F  | –       | Parameters for Event 5 (6 words)             |
| 01A0 0090 – 01A0 00A7  | –       | Parameters for Event 6 (6 words)             |
| 01A0 00A8 – 01A0 00BF  | –       | Parameters for Event 7 (6 words)             |
| 01A0 00C0 – 01A0 00D7  | –       | Parameters for Event 8 (6 words)             |
| 01A0 00D8 – 01A0 00EF  | –       | Parameters for Event 9 (6 words)             |
| 01A0 00F0 – 01A0 00107 | –       | Parameters for Event 10 (6 words)            |
| 01A0 0108 – 01A0 011F  | –       | Parameters for Event 11 (6 words)            |
| 01A0 0120 – 01A0 0137  | –       | Parameters for Event 12 (6 words)            |
| 01A0 0138 – 01A0 014F  | –       | Parameters for Event 13 (6 words)            |
| 01A0 0150 – 01A0 0167  | –       | Parameters for Event 14 (6 words)            |
| 01A0 0168 – 01A0 017F  | –       | Parameters for Event 15 (6 words)            |
| 01A0 0180 – 01A0 0197  | –       | Reload/link parameters for Event M (6 words) |
| 01A0 0198 – 01A0 01AF  | –       | Reload/link parameters for Event N (6 words) |
| ...                    |         | ...  |
| 01A0 07E0 – 01A0 07F7  | –       | Reload/link parameters for Event Z (6 words) |
| 01A0 07F8 – 01A0 07FF  | –       | Scratch pad area (2 words)                   |

† The C6211/C6211B device has sixty-nine parameter sets [six (6) words each] that can be used to reload/link EDMA transfers.

# TMS320C6211, TMS320C6211B FIXED-POINT DIGITAL SIGNAL PROCESSORS

SPRS073L – AUGUST 1998 – REVISED JUNE 2005

## peripheral register descriptions (continued)

**Table 7. Quick DMA (QDMA) and Pseudo Registers†**

| HEX ADDRESS RANGE     | ACRONYM | REGISTER NAME                            |
|-----------------------|---------|--|
| 0200 0000             | QOPT    | QDMA options parameter register          |
| 0200 0004             | QSRC    | QDMA source address register             |
| 0200 0008             | QCNT    | QDMA frame count register                |
| 0200 000C             | QDST    | QDMA destination address register        |
| 0200 0010             | QIDX    | QDMA index register                      |
| 0200 0014 – 0200 001C | –       | Reserved                                 |
| 0200 0020             | QSOPT   | QDMA pseudo options register             |
| 0200 0024             | QSSRC   | QDMA pseudo source address register      |
| 0200 0028             | QSCNT   | QDMA pseudo frame count register         |
| 0200 002C             | QSDST   | QDMA pseudo destination address register |
| 0200 0030             | QSIDX   | QDMA pseudo index register               |

† All the QDMA and Pseudo registers are write-accessible only

**Table 8. Interrupt Selector Registers**

| HEX ADDRESS RANGE     | ACRONYM | REGISTER NAME               | COMMENTS  |
|-----------------------|---------|-----------------------------|---|
| 019C 0000             | MUXH    | Interrupt multiplexer high  | Selects which interrupts drive CPU interrupts 10–15 (INT10–INT15) |
| 019C 0004             | MUXL    | Interrupt multiplexer low   | Selects which interrupts drive CPU interrupts 4–9 (INT04–INT09)   |
| 019C 0008             | EXTPOL  | External interrupt polarity | Sets the polarity of the external interrupts (EXT_INT4–EXT_INT7)  |
| 019C 000C – 019F FFFF | –       | Reserved                    |   |



**peripheral register descriptions (continued)**

**Table 9. McBSP 0 Registers**

| HEX ADDRESS RANGE         | ACRONYM | REGISTER NAME                                    | COMMENTS  |
|---------------------------|---------|--|---|
| 018C 0000                 | DRR0    | McBSP0 data receive register via Peripheral Bus  | The CPU and DMA/EDMA controller can only read this register; they cannot write to it. |
| 0x3000 0000 – 0x33FF FFFF | DRR0    | McBSP0 data receive register via EDMA Bus        |   |
| 018C 0004                 | DXR0    | McBSP0 data transmit register via Peripheral Bus |   |
| 0x3000 0000 – 0x33FF FFFF | DXR0    | McBSP0 data transmit register via EDMA Bus       |   |
| 018C 0008                 | SPCR0   | McBSP0 serial port control register              |   |
| 018C 000C                 | RCR0    | McBSP0 receive control register                  |   |
| 018C 0010                 | XCR0    | McBSP0 transmit control register                 |   |
| 018C 0014                 | SRGR0   | McBSP0 sample rate generator register            |   |
| 018C 0018                 | MCR0    | McBSP0 multichannel control register             |   |
| 018C 001C                 | RCER0   | McBSP0 receive channel enable register           |   |
| 018C 0020                 | XCER0   | McBSP0 transmit channel enable register          |   |
| 018C 0024                 | PCR0    | McBSP0 pin control register                      |   |
| 018C 0028 – 018F FFFF     | –       | Reserved   |   |

**Table 10. McBSP 1 Registers**

| HEX ADDRESS RANGE         | ACRONYM | REGISTER NAME                                    | COMMENTS  |
|---------------------------|---------|--|---|
| 0190 0000                 | DRR1    | Data receive register via Peripheral Bus         | The CPU and DMA/EDMA controller can only read this register; they cannot write to it. |
| 0x3400 0000 – 0x37FF FFFF | DRR1    | McBSP1 data receive register via EDMA Bus        |   |
| 0190 0004                 | DXR1    | McBSP1 data transmit register via Peripheral Bus |   |
| 0x3400 0000 – 0x37FF FFFF | DXR1    | McBSP1 data transmit register via EDMA Bus       |   |
| 0190 0008                 | SPCR1   | McBSP1 serial port control register              |   |
| 0190 000C                 | RCR1    | McBSP1 receive control register                  |   |
| 0190 0010                 | XCR1    | McBSP1 transmit control register                 |   |
| 0190 0014                 | SRGR1   | McBSP1 sample rate generator register            |   |
| 0190 0018                 | MCR1    | McBSP1 multichannel control register             |   |
| 0190 001C                 | RCER1   | McBSP1 receive channel enable register           |   |
| 0190 0020                 | XCER1   | McBSP1 transmit channel enable register          |   |
| 0190 0024                 | PCR1    | McBSP1 pin control register                      |   |
| 0190 0028 – 0193 FFFF     | –       | Reserved   |   |

# TMS320C6211, TMS320C6211B FIXED-POINT DIGITAL SIGNAL PROCESSORS

SPRS073L – AUGUST 1998 – REVISED JUNE 2005

## peripheral register descriptions (continued)

**Table 11. Timer 0 Registers**

| HEX ADDRESS RANGE     | ACRONYM | REGISTER NAME            | COMMENTS  |
|-----------------------|---------|--------------------------|---|
| 0194 0000             | CTL0    | Timer 0 control register | Determines the operating mode of the timer, monitors the timer status, and controls the function of the TOUT pin. |
| 0194 0004             | PRD0    | Timer 0 period register  | Contains the number of timer input clock cycles to count. This number controls the TSTAT signal frequency.        |
| 0194 0008             | CNT0    | Timer 0 counter register | Contains the current value of the incrementing counter.   |
| 0194 000C – 0197 FFFF | –       | Reserved                 |   |

**Table 12. Timer 1 Registers**

| HEX ADDRESS RANGE     | ACRONYM | REGISTER NAME            | COMMENTS  |
|-----------------------|---------|--------------------------|---|
| 0198 0000             | CTL1    | Timer 1 control register | Determines the operating mode of the timer, monitors the timer status, and controls the function of the TOUT pin. |
| 0198 0004             | PRD1    | Timer 1 period register  | Contains the number of timer input clock cycles to count. This number controls the TSTAT signal frequency.        |
| 0198 0008             | CNT1    | Timer 1 counter register | Contains the current value of the incrementing counter.   |
| 0198 000C – 019B FFFF | –       | Reserved                 |   |

**Table 13. HPI Registers**

| HEX ADDRESS RANGE     | ACRONYM | REGISTER NAME        | COMMENTS                        |
|-----------------------|---------|----------------------|---------------------------------|
| –                     | HPID    | HPI data register    | Host read/write access only     |
| –                     | HPIA    | HPI address register | Host read/write access only     |
| 0188 0000             | HPIC    | HPI control register | Both Host/CPU read/write access |
| 0188 0001 – 018B FFFF | –       | Reserved             |                                 |



---

**PWRD bits in CPU CSR register description**

Table 14 identifies the PWRD field (bits 15–10) in the CPU CSR register. These bits control the device power-down modes. For more detailed information on the PWRD bit field of the CPU CSR register, see the *TMS320C6000 CPU and Instruction Set Reference Guide* (literature number SPRU189).

**Table 14. PWRD field bits in the CPU CSR Register**

| HEX ADDRESS RANGE | ACRONYM | REGISTER NAME           | COMMENTS   |
|-------------------|---------|-------------------------|--|
| –                 | CSR     | Control status register | The PWRD field (bits 15–10 in the CPU CSR) controls the device power-down modes.<br>Accessible by writing a value to the CSR register. |

# TMS320C6211, TMS320C6211B FIXED-POINT DIGITAL SIGNAL PROCESSORS

SPRS073L – AUGUST 1998 – REVISED JUNE 2005

## EDMA channel synchronization events

The C62x EDMA supports up to 16 EDMA channels. Four of the sixteen channels (channels 8–11) are reserved for EDMA chaining, leaving 12 EDMA channels available to service peripheral devices. Table 15 lists the source of synchronization events associated with each of the programmable EDMA channels. For the C6211/11B, the association of an event to a channel is fixed; each of the EDMA channels has one specific event associated with it. For more detailed information on the EDMA module, associated channels, and event-transfer chaining, see the *TMS320C6000 DSP Enhanced Direct Memory Access (EDMA) Controller Reference Guide* (literature number SPRU234).

**Table 15. TMS320C6211/C6211B EDMA Channel Synchronization Events**

| EDMA CHANNEL | EVENT NAME | EVENT DESCRIPTION                                 |
|--------------|------------|---|
| 0            | DSP_INT    | Host-port interface (HPI)-to-DSP interrupt        |
| 1            | TINT0      | Timer 0 interrupt                                 |
| 2            | TINT1      | Timer 1 interrupt                                 |
| 3            | SD_INT     | EMIF SDRAM timer interrupt                        |
| 4            | EXT_INT4   | External interrupt pin 4                          |
| 5            | EXT_INT5   | External interrupt pin 5                          |
| 6            | EXT_INT6   | External interrupt pin 6                          |
| 7            | EXT_INT7   | External interrupt pin 7                          |
| 8†           | EDMA_TCC8  | EDMA transfer complete code (TCC) 1000b interrupt |
| 9†           | EDMA_TCC9  | EDMA TCC 1001b interrupt                          |
| 10†          | EDMA_TCC10 | EDMA TCC 1010b interrupt                          |
| 11†          | EDMA_TCC11 | EDMA TCC 1011b interrupt                          |
| 12           | XEVT0      | McBSP0 transmit event                             |
| 13           | REVT0      | McBSP0 receive event                              |
| 14           | XEVT1      | McBSP1 transmit event                             |
| 15           | REVT1      | McBSP1 receive event                              |

† EDMA channels 8 through 11 are used for transfer chaining only. For more detailed information on event-transfer chaining, see the *TMS320C6000 DSP Enhanced Direct Memory Access (EDMA) Controller Reference Guide* (literature number SPRU234).



## interrupt sources and interrupt selector

The C62x DSP core supports 16 prioritized interrupts, which are listed in Table 16. The highest-priority interrupt is INT\_00 (dedicated to RESET) while the lowest-priority interrupt is INT\_15. The first four interrupts (INT\_00–INT\_03) are non-maskable and fixed. The remaining interrupts (INT\_04–INT\_15) are maskable and default to the interrupt source specified in Table 16. The interrupt source for interrupts 4–15 can be programmed by modifying the selector value (binary value) in the corresponding fields of the Interrupt Selector Control registers: MUXH (address 0x019C0000) and MUXL (address 0x019C0004).

**Table 16. C6211/C6211B DSP Interrupts**

| CPU INTERRUPT NUMBER | INTERRUPT SELECTOR CONTROL REGISTER | SELECTOR VALUE (BINARY) | INTERRUPT EVENT | INTERRUPT SOURCE                           |
|----------------------|-------------------------------------|-------------------------|-----------------|--|
| INT_00†              | –                                   | –                       | RESET           |  |
| INT_01†              | –                                   | –                       | NMI             |  |
| INT_02†              | –                                   | –                       | Reserved        | Reserved. Do not use.                      |
| INT_03†              | –                                   | –                       | Reserved        | Reserved. Do not use.                      |
| INT_04‡              | MUXL[4:0]                           | 00100                   | EXT_INT4        | External interrupt pin 4                   |
| INT_05‡              | MUXL[9:5]                           | 00101                   | EXT_INT5        | External interrupt pin 5                   |
| INT_06‡              | MUXL[14:10]                         | 00110                   | EXT_INT6        | External interrupt pin 6                   |
| INT_07‡              | MUXL[20:16]                         | 00111                   | EXT_INT7        | External interrupt pin 7                   |
| INT_08‡              | MUXL[25:21]                         | 01000                   | EDMA_INT        | EDMA channel (0 through 15) interrupt      |
| INT_09‡              | MUXL[30:26]                         | 01001                   | Reserved        | None, but programmable                     |
| INT_10‡              | MUXH[4:0]                           | 00011                   | SD_INT          | EMIF SDRAM timer interrupt                 |
| INT_11‡              | MUXH[9:5]                           | 01010                   | Reserved        | None, but programmable                     |
| INT_12‡              | MUXH[14:10]                         | 01011                   | Reserved        | None, but programmable                     |
| INT_13‡              | MUXH[20:16]                         | 00000                   | DSP_INT         | Host-port interface (HPI)-to-DSP interrupt |
| INT_14‡              | MUXH[25:21]                         | 00001                   | TINT0           | Timer 0 interrupt                          |
| INT_15‡              | MUXH[30:26]                         | 00010                   | TINT1           | Timer 1 interrupt                          |
| –                    | –                                   | 01100                   | XINT0           | McBSP0 transmit interrupt                  |
| –                    | –                                   | 01101                   | RINT0           | McBSP0 receive interrupt                   |
| –                    | –                                   | 01110                   | XINT1           | McBSP1 transmit interrupt                  |
| –                    | –                                   | 01111                   | RINT1           | McBSP1 receive interrupt                   |
| –                    | –                                   | 10000 – 11111           | Reserved        | Reserved. Do not use.                      |

† Interrupts INT\_00 through INT\_03 are non-maskable and fixed.

‡ Interrupts INT\_04 through INT\_15 are programmable by modifying the binary selector values in the Interrupt Selector Control registers fields. Table 16 shows the default interrupt sources for interrupts INT\_04 through INT\_15. For more detailed information on interrupt sources and selection, see the *TMS320C6000 DSP Interrupt Selector Reference Guide* (literature number SPRU646).

# TMS320C6211, TMS320C6211B FIXED-POINT DIGITAL SIGNAL PROCESSORS

SPRS073L – AUGUST 1998 – REVISED JUNE 2005

## signal groups description

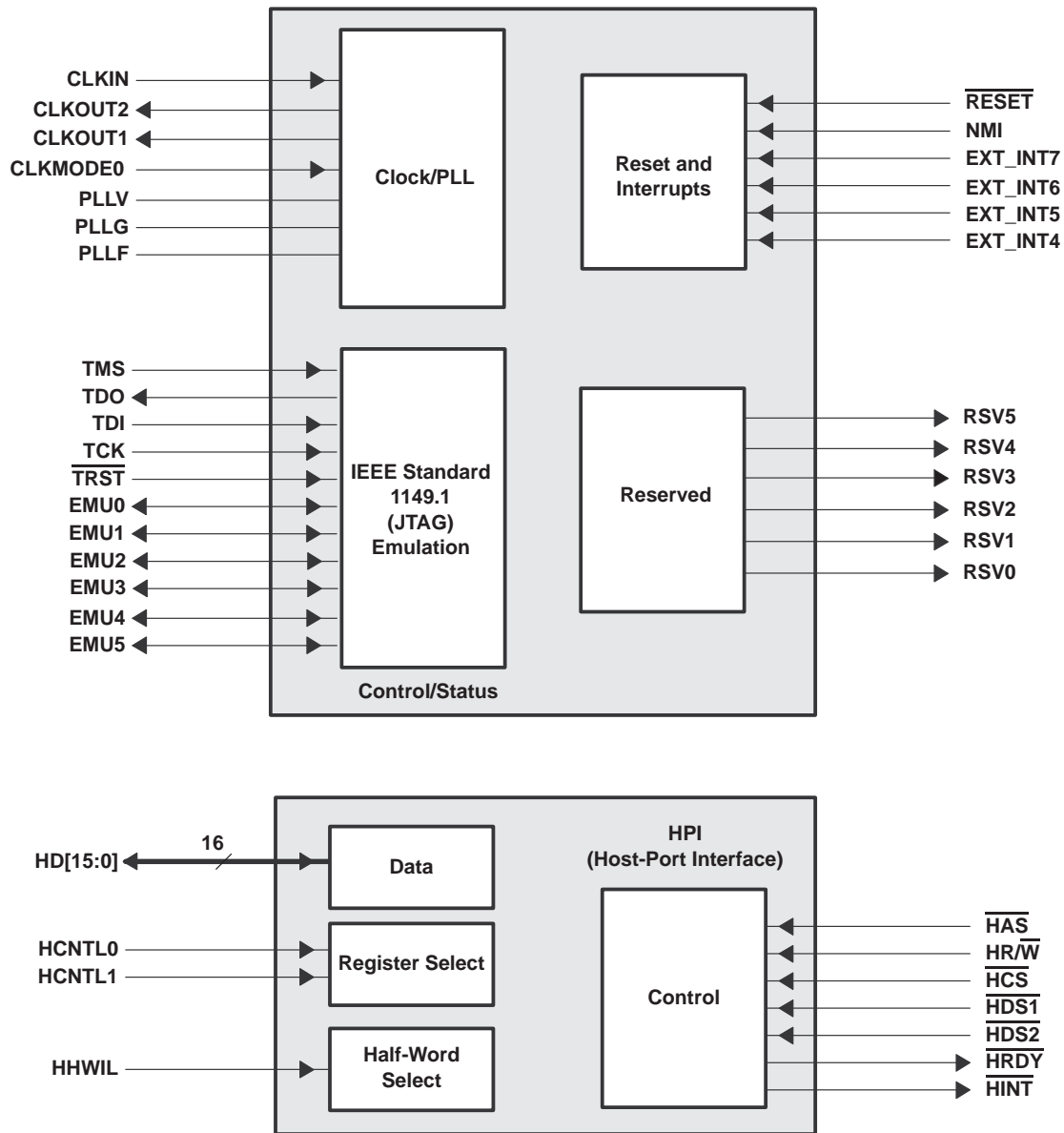


Figure 2. CPU (DSP Core) and Peripheral Signals

signal groups description (continued)

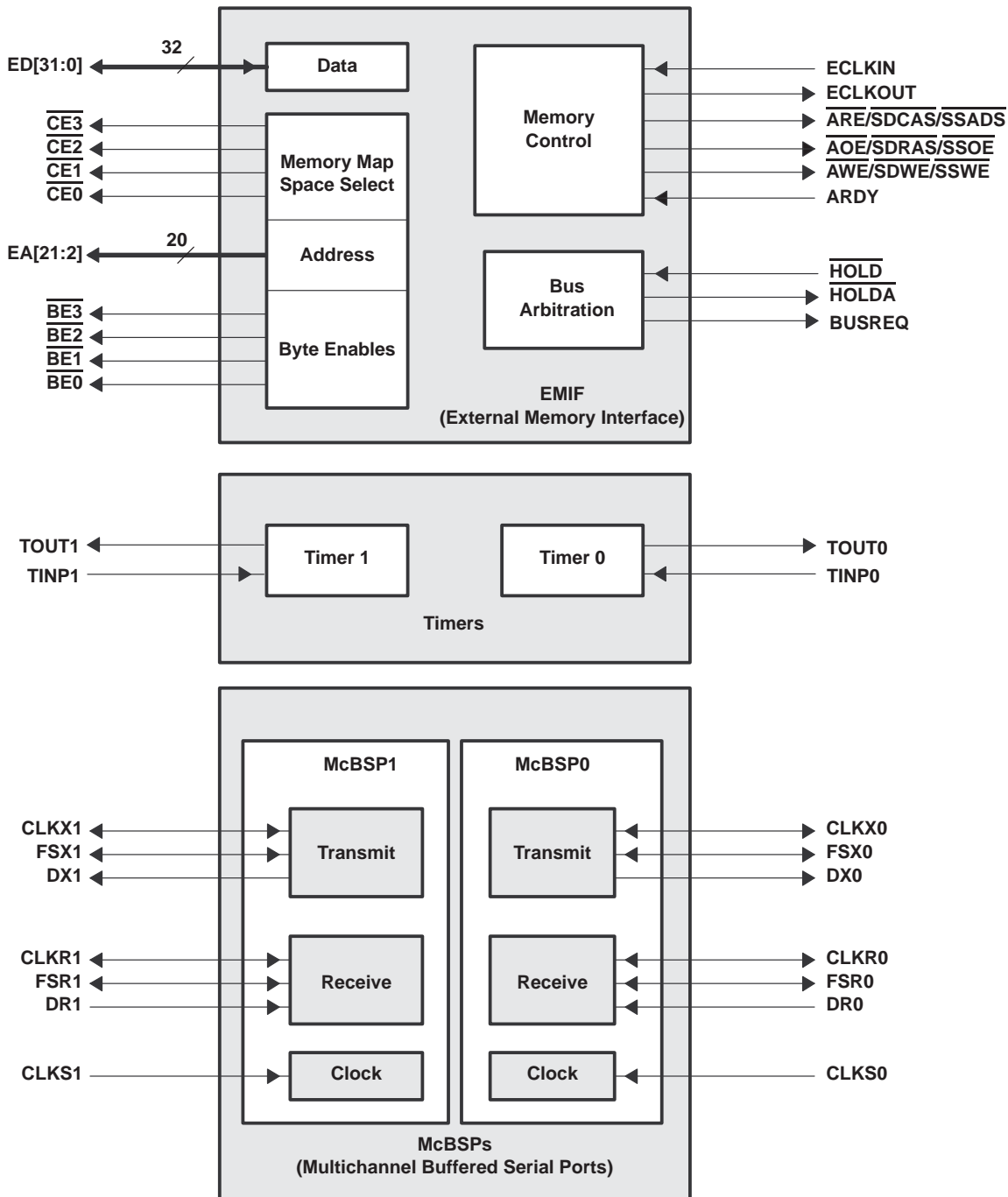


Figure 3. Peripheral Signals

# TMS320C6211, TMS320C6211B FIXED-POINT DIGITAL SIGNAL PROCESSORS

SPRS073L – AUGUST 1998 – REVISED JUNE 2005

## Terminal Functions

| SIGNAL NAME                      | NO. | TYPET | IPD/<br>IPU‡ | DESCRIPTION   |
|----------------------------------|-----|-------|--------------|---|
| <b>CLOCK/PLL</b>                 |     |       |              |   |
| CLKIN                            | A3  | I     | IPD          | Clock Input   |
| CLKOUT1                          | D7  | O     | IPD          | Clock output at device speed<br>The CLK1EN bit in the EMIF GBLCTL register controls the CLKOUT1 pin.<br>CLK1EN = 0: CLKOUT1 is disabled<br>CLK1EN = 1: CLKOUT1 enabled to clock [default]   |
| CLKOUT2                          | Y12 | O     | IPD          | Clock output at half of device speed<br>When the CLKOUT2 pin is enabled, the CLK2EN bit in the EMIF global control register (GBLCTL) controls the CLKOUT2 pin.<br>CLK2EN = 0: CLKOUT2 is disabled<br>CLK2EN = 1: CLKOUT1 enabled to clock [default] |
| CLKMODE0                         | C4  | I     | IPU          | Clock mode select<br>• Selects whether the CPU clock frequency = input clock frequency x4 or x1   |
| PLLVS                            | A4  | A†    |              | PLL analog VCC connection for the low-pass filter   |
| PLLG                             | C6  | A†    |              | PLL analog GND connection for the low-pass filter   |
| PLLF                             | B5  | A†    |              | PLL low-pass filter connection to external components and a bypass capacitor  |
| <b>JTAG EMULATION</b>            |     |       |              |   |
| TMS                              | B7  | I     | IPU          | JTAG test-port mode select  |
| TDO                              | A8  | O/Z   | IPU          | JTAG test-port data out   |
| TDI                              | A7  | I     | IPU          | JTAG test-port data in  |
| TCK                              | A6  | I     | IPU          | JTAG test-port clock  |
| $\overline{\text{TRST}}$         | B6  | I     | IPD          | JTAG test-port reset  |
| EMU5                             | B12 | I/O/Z | IPU          | Emulation pin 5. Reserved for future use, leave unconnected.  |
| EMU4                             | C11 | I/O/Z | IPU          | Emulation pin 4. Reserved for future use, leave unconnected.  |
| EMU3                             | B10 | I/O/Z | IPU          | Emulation pin 3. Reserved for future use, leave unconnected.  |
| EMU2                             | D10 | I/O/Z | IPU          | Emulation pin 2. Reserved for future use, leave unconnected.  |
| EMU1                             | B9  | I/O/Z | IPU          | Emulation pin 1#  |
| EMU0                             | D9  | I/O/Z | IPU          | Emulation pin 0#  |
| <b>RESETS AND INTERRUPTS</b>     |     |       |              |   |
| $\overline{\text{RESET}}$        | A13 | I     | IPU          | Device reset  |
| NMI                              | C13 | I     | IPD          | Nonmaskable interrupt<br>• Edge-driven (rising edge)<br>Any noise on the NMI pin may trigger an NMI interrupt; therefore, if the NMI pin is not used, it is recommended that the NMI pin be grounded versus relying on the IPD.                     |
| EXT_INT7                         | E3  | I     | IPU          | External interrupts<br>• Edge-driven<br>• Polarity independently selected via the External Interrupt Polarity Register bits (EXTPOL.[3:0])  |
| EXT_INT6                         | D2  |       |              |   |
| EXT_INT5                         | C1  |       |              |   |
| EXT_INT4                         | C2  |       |              |   |
| <b>HOST-PORT INTERFACE (HPI)</b> |     |       |              |   |
| $\overline{\text{HINT}}$         | J20 | O     | IPU          | Host interrupt (from DSP to host)   |
| HCNTL1                           | G19 | I     | IPU          | Host control – selects between control, address, or data registers  |
| HCNTL0                           | G18 | I     | IPU          | Host control – selects between control, address, or data registers  |
| HHWIL                            | H20 | I     | IPU          | Host half-word select – first or second half-word (not necessarily high or low order)   |
| $\overline{\text{HR/W}}$         | G20 | I     | IPU          | Host read or write select   |

† I = Input, O = Output, Z = High impedance, S = Supply voltage, GND = Ground

‡ IPD = Internal pulldown, IPU = Internal pullup. (These IPD/IPU signal pins feature a 30-k $\Omega$  IPD or IPU resistor. To pull up a signal to the opposite supply rail, a 1-k $\Omega$  resistor should be used.)



# TMS320C6211, TMS320C6211B FIXED-POINT DIGITAL SIGNAL PROCESSORS

SPRS073L – AUGUST 1998 – REVISED JUNE 2005

§ PLLV and PLLG are not part of external voltage supply or ground. See the CLOCK/PLL documentation for information on how to connect these pins.

† A = Analog signal (PLL Filter)

# The EMU0 and EMU1 pins are internally pulled up with 30-kΩ resistors; therefore, for emulation and normal operation, no external pullup/pulldown resistors are necessary. However, for boundary scan operation, pull down the EMU1 and EMU0 pins with a dedicated 1-kΩ resistor.

## Terminal Functions (Continued)

| SIGNAL<br>NAME  | NO. | TYPE† | IPD/<br>IPU‡ | DESCRIPTION   |
|---|-----|-------|--------------|---|
| <b>HOST-PORT INTERFACE (HPI) (CONTINUED)</b>                |     |       |              |   |
| HD15  | B14 | I/O/Z | IPU          | Host-port data <ul style="list-style-type: none"> <li>• Used for transfer of data, address, and control</li> <li>• Also controls initialization of DSP modes at reset via pullup/pulldown resistors                             <ul style="list-style-type: none"> <li>– Device Endian mode                                     <ul style="list-style-type: none"> <li>HD8: 0 – Big Endian</li> <li>1 – Little Endian</li> </ul> </li> <li>– Boot mode                                     <ul style="list-style-type: none"> <li>HD[4:3]: 00 – HPI boot</li> <li>01 – 8-bit ROM boot with default timings</li> <li>10 – 16-bit ROM boot with default timings</li> <li>11 – 32-bit ROM boot with default timings</li> </ul> </li> </ul> </li> </ul> |
| HD14  | C14 |       | IPU          |   |
| HD13  | A15 |       | IPU          |   |
| HD12  | C15 |       | IPU          |   |
| HD11  | A16 |       | IPU          |   |
| HD10  | B16 |       | IPU          |   |
| HD9   | C16 |       | IPU          |   |
| HD8   | B17 |       | IPU          |   |
| HD7   | A18 |       | IPU          |   |
| HD6   | C17 |       | IPU          |   |
| HD5   | B18 |       | IPU          |   |
| HD4   | C19 |       | IPD          |   |
| HD3   | C20 |       | IPU          |   |
| HD2   | D18 |       | IPU          |   |
| HD1   | D20 |       | IPU          |   |
| HD0   | E20 | IPU   |              |   |
| $\overline{\text{HAS}}$                                     | E18 | I     | IPU          | Host address strobe   |
| $\overline{\text{HCS}}$                                     | F20 | I     | IPU          | Host chip select  |
| $\overline{\text{HDS1}}$                                    | E19 | I     | IPU          | Host data strobe 1  |
| $\overline{\text{HDS2}}$                                    | F18 | I     | IPU          | Host data strobe 2  |
| $\overline{\text{HRDY}}$                                    | H19 | O     | IPD          | Host ready (from DSP to host)   |
| <b>EMIF – CONTROL SIGNALS COMMON TO ALL TYPES OF MEMORY</b> |     |       |              |   |
| $\overline{\text{CE3}}$                                     | V6  | O/Z   | IPU          | Memory space enables <ul style="list-style-type: none"> <li>• Enabled by bits 28 through 31 of the word address</li> <li>• Only one asserted during any external data access</li> </ul>   |
| $\overline{\text{CE2}}$                                     | W6  | O/Z   | IPU          |   |
| $\overline{\text{CE1}}$                                     | W18 | O/Z   | IPU          |   |
| $\overline{\text{CE0}}$                                     | V17 | O/Z   | IPU          |   |
| $\overline{\text{BE3}}$                                     | V5  | O/Z   | IPU          | Byte-enable control <ul style="list-style-type: none"> <li>• Decoded from the two lowest bits of the internal address</li> <li>• Byte-write enables for most types of memory</li> <li>• Can be directly connected to SDRAM read and write mask signal (SDQM)</li> </ul>   |
| $\overline{\text{BE2}}$                                     | Y4  | O/Z   | IPU          |   |
| $\overline{\text{BE1}}$                                     | U19 | O/Z   | IPU          |   |
| $\overline{\text{BE0}}$                                     | V20 | O/Z   | IPU          |   |

† I = Input, O = Output, Z = High impedance, S = Supply voltage, GND = Ground

‡ IPD = Internal pulldown, IPU = Internal pullup. (These IPD/IPU signal pins feature a 30-kΩ IPD or IPU resistor. To pull up a signal to the opposite supply rail, a 1-kΩ resistor should be used.)



# TMS320C6211, TMS320C6211B FIXED-POINT DIGITAL SIGNAL PROCESSORS

SPRS073L – AUGUST 1998 – REVISED JUNE 2005

## Terminal Functions (Continued)

| SIGNAL NAME   | NO. | TYPE† | IPD/<br>IPU‡ | DESCRIPTION   |
|---|-----|-------|--------------|---|
| <b>EMIF – BUS ARBITRATION</b>   |     |       |              |   |
| HOLDA   | J18 | O     | IPU          | Hold-request-acknowledge to the host  |
| HOLD  | J17 | I     | IPU          | Hold request from the host  |
| BUSREQ  | J19 | O     | IPU          | Bus request output  |
| <b>EMIF – ASYNCHRONOUS/SYNCHRONOUS DRAM/SYNCHRONOUS BURST SRAM MEMORY CONTROL</b> |     |       |              |   |
| ECLKIN  | Y11 | I     | IPD          | EMIF input clock  |
| ECLKOUT   | Y10 | O     | IPD          | EMIF output clock (based on ECLKIN)   |
| ARE/SDCAS/<br>SSADS   | V11 | O/Z   | IPU          | Asynchronous memory read enable/SDRAM column-address strobe/SBSRAM address strobe |
| AOE/SDRAS/<br>SSOE  | W10 | O/Z   | IPU          | Asynchronous memory output enable/SDRAM row-address strobe/SBSRAM output enable   |
| AWE/SDWE/<br>SSWE   | V12 | O/Z   | IPU          | Asynchronous memory write enable/SDRAM write enable/SBSRAM write enable           |
| ARDY  | Y5  | I     | IPU          | Asynchronous memory ready input   |
| <b>EMIF – ADDRESS</b>   |     |       |              |   |
| EA21  | U18 | O/Z   | IPU          | EMIF external address   |
| EA20  | Y18 |       |              |   |
| EA19  | W17 |       |              |   |
| EA18  | Y16 |       |              |   |
| EA17  | V16 |       |              |   |
| EA16  | Y15 |       |              |   |
| EA15  | W15 |       |              |   |
| EA14  | Y14 |       |              |   |
| EA13  | W14 |       |              |   |
| EA12  | V14 |       |              |   |
| EA11  | W13 |       |              |   |
| EA10  | V10 |       |              |   |
| EA9   | Y9  |       |              |   |
| EA8   | V9  |       |              |   |
| EA7   | Y8  |       |              |   |
| EA6   | W8  |       |              |   |
| EA5   | V8  |       |              |   |
| EA4   | W7  |       |              |   |
| EA3   | V7  |       |              |   |
| EA2   | Y6  |       |              |   |

† I = Input, O = Output, Z = High impedance, S = Supply voltage, GND = Ground

‡ IPD = Internal pulldown, IPU = Internal pullup. (These IPD/IPU signal pins feature a 30-kΩ IPD or IPU resistor. To pull up a signal to the opposite supply rail, a 1-kΩ resistor should be used.)



# TMS320C6211, TMS320C6211B FIXED-POINT DIGITAL SIGNAL PROCESSORS

SPRS073L – AUGUST 1998 – REVISED JUNE 2005

## Terminal Functions (Continued)

| SIGNAL<br>NAME     | NO. | TYPE† | IPD/<br>IPU‡ | DESCRIPTION   |
|--------------------|-----|-------|--------------|---------------|
| <b>EMIF – DATA</b> |     |       |              |               |
| ED31               | N3  | I/O/Z | IPU          | External data |
| ED30               | P3  |       |              |               |
| ED29               | P2  |       |              |               |
| ED28               | P1  |       |              |               |
| ED27               | R2  |       |              |               |
| ED26               | R3  |       |              |               |
| ED25               | T2  |       |              |               |
| ED24               | T1  |       |              |               |
| ED23               | U3  |       |              |               |
| ED22               | U1  |       |              |               |
| ED21               | U2  |       |              |               |
| ED20               | V1  |       |              |               |
| ED19               | V2  |       |              |               |
| ED18               | Y3  |       |              |               |
| ED17               | W4  |       |              |               |
| ED16               | V4  |       |              |               |
| ED15               | T19 |       |              |               |
| ED14               | T20 |       |              |               |
| ED13               | T18 |       |              |               |
| ED12               | R20 |       |              |               |
| ED11               | R19 |       |              |               |
| ED10               | P20 |       |              |               |
| ED9                | P18 |       |              |               |
| ED8                | N20 |       |              |               |
| ED7                | N19 |       |              |               |
| ED6                | N18 |       |              |               |
| ED5                | M20 |       |              |               |
| ED4                | M19 |       |              |               |
| ED3                | L19 |       |              |               |
| ED2                | L18 |       |              |               |
| ED1                | K19 |       |              |               |
| ED0                | K18 |       |              |               |

† I = Input, O = Output, Z = High impedance, S = Supply voltage, GND = Ground

‡ IPD = Internal pulldown, IPU = Internal pullup. (These IPD/IPU signal pins feature a 30-k $\Omega$  IPD or IPU resistor. To pull up a signal to the opposite supply rail, a 1-k $\Omega$  resistor should be used.)



# TMS320C6211, TMS320C6211B FIXED-POINT DIGITAL SIGNAL PROCESSORS

SPRS073L – AUGUST 1998 – REVISED JUNE 2005

## Terminal Functions (Continued)

| SIGNAL NAME   | NO. | TYPET | IPD/ IPU‡ | DESCRIPTION  |
|---|-----|-------|-----------|--|
| <b>TIMER 1</b>                                      |     |       |           |  |
| TOUT1   | F1  | O     | IPD       | Timer 1 or general-purpose output                                      |
| TINP1   | F2  | I     | IPD       | Timer 1 or general-purpose input                                       |
| <b>TIMER 0</b>                                      |     |       |           |  |
| TOUT0   | G1  | O     | IPD       | Timer 0 or general-purpose output                                      |
| TINP0   | G2  | I     | IPD       | Timer 0 or general-purpose input                                       |
| <b>MULTICHANNEL BUFFERED SERIAL PORT 1 (McBSP1)</b> |     |       |           |  |
| CLKS1   | E1  | I     | IPD       | External clock source (as opposed to internal)                         |
| CLKR1   | M1  | I/O/Z | IPD       | Receive clock  |
| CLKX1   | L3  | I/O/Z | IPD       | Transmit clock   |
| DR1   | M2  | I     | IPU       | Receive data   |
| DX1   | L2  | O/Z   | IPU       | Transmit data  |
| FSR1  | M3  | I/O/Z | IPD       | Receive frame sync   |
| FSX1  | L1  | I/O/Z | IPD       | Transmit frame sync  |
| <b>MULTICHANNEL BUFFERED SERIAL PORT 0 (McBSP0)</b> |     |       |           |  |
| CLKS0   | K3  | I     | IPD       | External clock source (as opposed to internal)                         |
| CLKR0   | H3  | I/O/Z | IPD       | Receive clock  |
| CLKX0   | G3  | I/O/Z | IPD       | Transmit clock   |
| DR0   | J1  | I     | IPU       | Receive data   |
| DX0   | H2  | O/Z   | IPU       | Transmit data  |
| FSR0  | J3  | I/O/Z | IPD       | Receive frame sync   |
| FSX0  | H1  | I/O/Z | IPD       | Transmit frame sync  |
| <b>RESERVED FOR TEST</b>                            |     |       |           |  |
| RSV0  | C12 | O     | IPU       | Reserved (leave unconnected, <b>do not</b> connect to power or ground) |
| RSV1  | D12 | O     | IPU       | Reserved (leave unconnected, <b>do not</b> connect to power or ground) |
| RSV2  | A5  | O     | IPU       | Reserved (leave unconnected, <b>do not</b> connect to power or ground) |
| RSV3  | D3  | O     |           | Reserved (leave unconnected, <b>do not</b> connect to power or ground) |
| RSV4  | N2  | O     |           | Reserved (leave unconnected, <b>do not</b> connect to power or ground) |
| RSV5  | Y20 | O     |           | Reserved (leave unconnected, <b>do not</b> connect to power or ground) |

† I = Input, O = Output, Z = High impedance, S = Supply voltage, GND = Ground

‡ IPD = Internal pulldown, IPU = Internal pullup. (These IPD/IPU signal pins feature a 30-kΩ IPD or IPU resistor. To pull up a signal to the opposite supply rail, a 1-kΩ resistor should be used.)



# TMS320C6211, TMS320C6211B FIXED-POINT DIGITAL SIGNAL PROCESSORS

SPRS073L – AUGUST 1998 – REVISED JUNE 2005

## Terminal Functions (Continued)

| SIGNAL<br>NAME             | NO. | TYPE† | DESCRIPTION          |
|----------------------------|-----|-------|----------------------|
| <b>SUPPLY VOLTAGE PINS</b> |     |       |                      |
| DV <sub>DD</sub>           | A17 | S     | 3.3-V supply voltage |
|                            | B3  |       |                      |
|                            | B8  |       |                      |
|                            | B13 |       |                      |
|                            | C5  |       |                      |
|                            | C10 |       |                      |
|                            | D1  |       |                      |
|                            | D16 |       |                      |
|                            | D19 |       |                      |
|                            | F3  |       |                      |
|                            | H18 |       |                      |
|                            | J2  |       |                      |
|                            | M18 |       |                      |
|                            | N1  |       |                      |
|                            | R1  |       |                      |
|                            | R18 |       |                      |
|                            | T3  |       |                      |
|                            | U5  |       |                      |
|                            | U7  |       |                      |
|                            | U12 |       |                      |
| U16                        |     |       |                      |
| V13                        |     |       |                      |
| V15                        |     |       |                      |
| V19                        |     |       |                      |
| W3                         |     |       |                      |
| W9                         |     |       |                      |
| W12                        |     |       |                      |
| Y7                         |     |       |                      |
| Y17                        |     |       |                      |
| CV <sub>DD</sub>           | A9  | S     | 1.8-V supply voltage |
|                            | A10 |       |                      |
|                            | A12 |       |                      |
|                            | B2  |       |                      |
|                            | B19 |       |                      |
|                            | C3  |       |                      |
|                            | C7  |       |                      |
|                            | C18 |       |                      |
|                            | D5  |       |                      |
|                            | D6  |       |                      |
|                            | D11 |       |                      |
|                            | D14 |       |                      |

† I = Input, O = Output, Z = High impedance, S = Supply voltage, GND = Ground



# TMS320C6211, TMS320C6211B FIXED-POINT DIGITAL SIGNAL PROCESSORS

SPRS073L – AUGUST 1998 – REVISED JUNE 2005

## Terminal Functions (Continued)

| SIGNAL NAME                            |     | TYPET | DESCRIPTION          |
|--|-----|-------|----------------------|
| <b>SUPPLY VOLTAGE PINS (CONTINUED)</b> |     |       |                      |
| CVDD                                   | D15 | S     | 1.8-V supply voltage |
|  | F4  |       |                      |
|  | F17 |       |                      |
|  | K1  |       |                      |
|  | K4  |       |                      |
|  | K17 |       |                      |
|  | L4  |       |                      |
|  | L17 |       |                      |
|  | L20 |       |                      |
|  | R4  |       |                      |
|  | R17 |       |                      |
|  | U6  |       |                      |
|  | U10 |       |                      |
|  | U11 |       |                      |
|  | U14 |       |                      |
|  | U15 |       |                      |
|  | V3  |       |                      |
| V18                                    |     |       |                      |
| W2                                     |     |       |                      |
| W19                                    |     |       |                      |
| <b>GROUND PINS</b>                     |     |       |                      |
| VSS                                    | A1  | GND   | Ground pins          |
|  | A2  |       |                      |
|  | A11 |       |                      |
|  | A14 |       |                      |
|  | A19 |       |                      |
|  | A20 |       |                      |
|  | B1  |       |                      |
|  | B4  |       |                      |
|  | B11 |       |                      |
|  | B15 |       |                      |
|  | B20 |       |                      |
|  | C8  |       |                      |
|  | C9  |       |                      |
|  | D4  |       |                      |
|  | D8  |       |                      |
|  | D13 |       |                      |
|  | D17 |       |                      |
| E2                                     |     |       |                      |

† I = Input, O = Output, Z = High impedance, S = Supply voltage, GND = Ground



# TMS320C6211, TMS320C6211B FIXED-POINT DIGITAL SIGNAL PROCESSORS

SPRS073L – AUGUST 1998 – REVISED JUNE 2005

## Terminal Functions (Continued)

| SIGNAL<br>NAME                 | NO. | TYPE† | DESCRIPTION |
|--------------------------------|-----|-------|-------------|
| <b>GROUND PINS (CONTINUED)</b> |     |       |             |
| VSS                            | E4  | GND   | Ground pins |
|                                | E17 |       |             |
|                                | F19 |       |             |
|                                | G4  |       |             |
|                                | G17 |       |             |
|                                | H4  |       |             |
|                                | H17 |       |             |
|                                | J4  |       |             |
|                                | K2  |       |             |
|                                | K20 |       |             |
|                                | M4  |       |             |
|                                | M17 |       |             |
|                                | N4  |       |             |
|                                | N17 |       |             |
|                                | P4  |       |             |
|                                | P17 |       |             |
|                                | P19 |       |             |
|                                | T4  |       |             |
|                                | T17 |       |             |
|                                | U4  |       |             |
|                                | U8  |       |             |
|                                | U9  |       |             |
|                                | U13 |       |             |
|                                | U17 |       |             |
|                                | U20 |       |             |
|                                | W1  |       |             |
|                                | W5  |       |             |
|                                | W11 |       |             |
| W16                            |     |       |             |
| W20                            |     |       |             |
| Y1                             |     |       |             |
| Y2                             |     |       |             |
| Y13                            |     |       |             |
| Y19                            |     |       |             |

† I = Input, O = Output, Z = High impedance, S = Supply voltage, GND = Ground



# TMS320C6211, TMS320C6211B FIXED-POINT DIGITAL SIGNAL PROCESSORS

SPRS073L – AUGUST 1998 – REVISED JUNE 2005

---

## development support

TI offers an extensive line of development tools for the TMS320C6000™ DSP platform, including tools to evaluate the performance of the processors, generate code, develop algorithm implementations, and fully integrate and debug software and hardware modules.

The following products support development of C6000™ DSP-based applications:

### Software Development Tools:

Code Composer Studio™ Integrated Development Environment (IDE): including Editor

C/C++/Assembly Code Generation, and Debug plus additional development tools

Scalable, Real-Time Foundation Software (DSP/BIOS™), which provides the basic run-time target software needed to support any DSP application.

### Hardware Development Tools:

Extended Development System (XDS™) Emulator (supports C6000™ DSP multiprocessor system debug)

EVM (Evaluation Module)

For a complete listing of development-support tools for the TMS320C6000™ DSP platform, visit the Texas Instruments web site on the Worldwide Web at <http://www.ti.com> uniform resource locator (URL) and select "Find Development Tools". For device-specific tools, under "Semiconductor Products", select "Digital Signal Processors", choose a product family, and select the particular DSP device. For information on pricing and availability, contact the nearest TI field sales office or authorized distributor.

---

Code Composer Studio, DSP/BIOS, and XDS are trademarks of Texas Instruments.



---

## device and development-support tool nomenclature

To designate the stages in the product development cycle, TI assigns prefixes to the part numbers of all DSP devices and support tools. Each DSP commercial family member has one of three prefixes: TMX, TMP, or TMS (e.g., **TMS320C6211GFN167**). Texas Instruments recommends two of three possible prefix designators for support tools: TMDX and TMDS. These prefixes represent evolutionary stages of product development from engineering prototypes (TMX/TMDX) through fully qualified production devices/tools (TMS/TMDS).

Device development evolutionary flow:

- TMX** Experimental device that is not necessarily representative of the final device's electrical specifications
- TMP** Final silicon die that conforms to the device's electrical specifications but has not completed quality and reliability verification
- TMS** Fully qualified production device

Support tool development evolutionary flow:

- TMDX** Development-support product that has not yet completed Texas Instruments internal qualification testing.
- TMDS** Fully qualified development-support product

TMX and TMP devices and TMDX development-support tools are shipped with the following disclaimer:

"Developmental product is intended for internal evaluation purposes."

TMS devices and TMDS development-support tools have been characterized fully, and the quality and reliability of the device have been demonstrated fully. TI's standard warranty applies.

Predictions show that prototype devices (TMX or TMP) have a greater failure rate than the standard production devices. Texas Instruments recommends that these devices not be used in any production system because their expected end-use failure rate still is undefined. Only qualified production devices are to be used.

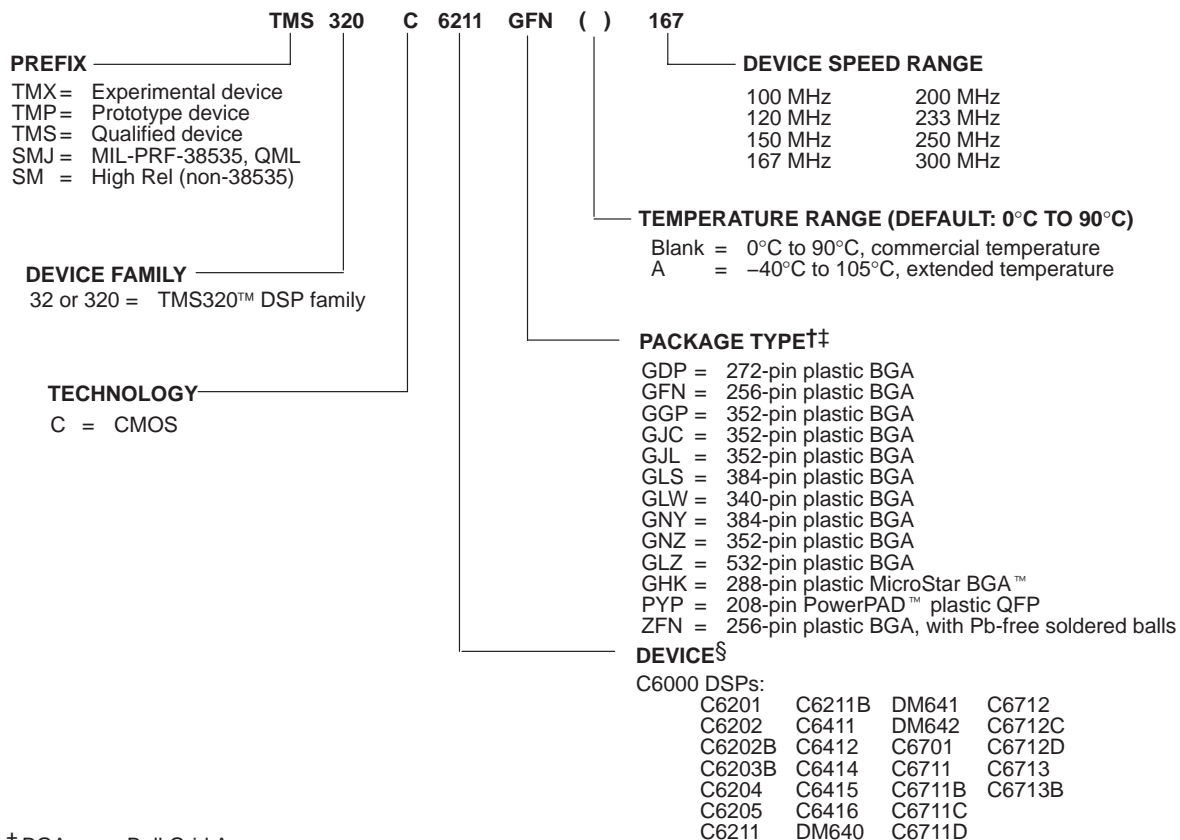
TI device nomenclature also includes a suffix with the device family name. This suffix indicates the package type (for example, GFN), the temperature range (for example, blank is the default commercial temperature range), and the device speed range in megahertz (for example, -167 is 167 MHz).

The ZFN package, like the GFN package, is a 256-ball plastic BGA *only* with Pb-free balls. For device part numbers and further ordering information for TMS320C6211/6211B in the GFN and ZFN, package types, see the TI website (<http://www.ti.com>) or contact your TI sales representative.

# TMS320C6211, TMS320C6211B FIXED-POINT DIGITAL SIGNAL PROCESSORS

SPRS073L – AUGUST 1998 – REVISED JUNE 2005

## device and development-support tool nomenclature (continued)



† BGA = Ball Grid Array

‡ QFP = Quad Flatpack

‡ The ZFN mechanical package designator represents the version of the GFN with Pb-Free soldered balls.

§ For actual device part numbers (P/Ns) and ordering information, see the Mechanical Data section of this document or the TI website ([www.ti.com](http://www.ti.com)).

**Figure 4. TMS320C6000™ DSP Device Nomenclature (Including the TMS320C6211 and TMS320C6211B Devices)**

MicroStar BGA is a trademark of Texas Instruments.



POST OFFICE BOX 1443 • HOUSTON, TEXAS 77251-1443

## documentation support

Extensive documentation supports all TMS320™ DSP family generations of devices from product announcement through applications development. The types of documentation available include: data sheets, such as this document, with design specifications; complete user's reference guides for all devices and tools; technical briefs; development-support tools; on-line help; and hardware and software applications. The following is a brief, descriptive list of support documentation specific to the C6000™ DSP devices:

For device-specific datasheets and related documentation, visit the TI web site at: <http://www.ti.com>.

The *TMS320C6000 CPU and Instruction Set Reference Guide* (literature number SPRU189) describes the C6000™ CPU (DSP core) architecture, instruction set, pipeline, and associated interrupts.

The *TMS320C6000 DSP Peripherals Overview Reference Guide* (literature number SPRU190) provides an overview and briefly describes the functionality of the peripherals available on the C6000™ DSP platform of devices. This document also includes a table listing the peripherals available on the C6000 devices along with literature numbers and hyperlinks to the associated peripheral documents.

The *TMS320C6000 Technical Brief* (literature number SPRU197) gives an introduction to the TMS320C62x™/TMS320C67x™ devices, associated development tools, and third-party support.

The *TMS320C6000 DSP Interrupt Selector Reference Guide* (literature number SPRU646) describes the interrupt selector, interrupt selector registers, and the available interrupts in the TMS320C6000 DSPs.

The *TMS320C6000 DSP Enhanced Direct Memory Access (EDMA) Controller Reference Guide* (literature number SPRU234) describes the operation of the enhanced direct memory access (EDMA) controller in the TMS320C6000 DSPs.

The *TMS320C62x/C67x Power Consumption Summary* application report (literature number SPRA486) discusses the power consumption for user applications with the TMS320C6211 and TMS320C6211B DSP devices.

The *TMS320C6211/TMS320C6211B Digital Signal Processors Silicon Errata* (literature number SPRZ154) describes the known exceptions to the functional specifications for the TMS320C6211 and TMS320C6211B DSP devices.

The *Using IBIS Models for Timing Analysis* application report (literature number SPRA839) describes how to properly use IBIS models to attain accurate timing analysis for a given system.

The tools support documentation is electronically available within the Code Composer Studio™ Integrated Development Environment (IDE). For a complete listing of C6000™ DSP latest documentation, visit the Texas Instruments web site on the Worldwide Web at <http://www.ti.com> uniform resource locator (URL).

See the Worldwide Web URL for the application reports *How To Begin Development Today with the TMS320C6211 DSP* (literature number SPRA474) and *How To Begin Development with the TMS320C6711 DSP* (literature number SPRA522), which describe in more detail the similarities/differences between the C6211 and C6711 C6000™ DSP devices.

# TMS320C6211, TMS320C6211B FIXED-POINT DIGITAL SIGNAL PROCESSORS

SPRS073L – AUGUST 1998 – REVISED JUNE 2005

## clock PLL

All of the internal C62x™ clocks are generated from a single source through the CLKIN pin. This source clock either drives the PLL, which multiplies the source clock in frequency to generate the internal CPU clock, or bypasses the PLL to become the internal CPU clock.

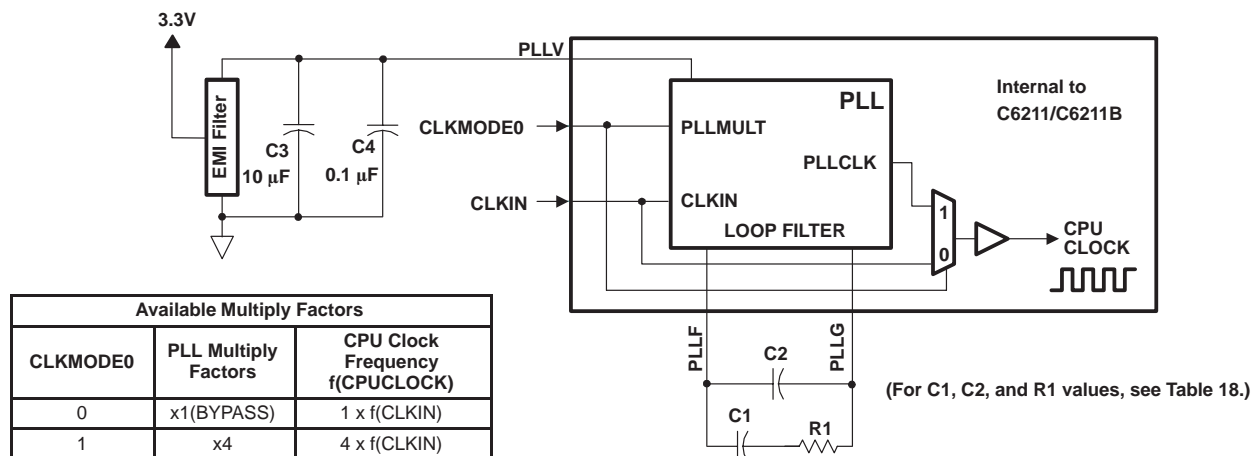
To use the PLL to generate the CPU clock, the external PLL filter circuit must be properly designed. Figure 5 shows the external PLL circuitry for either x1 (PLL bypass) or x4 PLL multiply modes. Figure 6 shows the external PLL circuitry for a system with ONLY x1 (PLL bypass) mode.

To minimize the clock jitter, a single clean power supply should power both the C62x™ device and the external clock oscillator circuit. Noise coupling into PLLF will directly impact PLL clock jitter. The minimum CLKIN rise and fall times should also be observed. For the input clock timing requirements, see the *input and output clocks* electricals section.

Rise/fall times, duty cycles (high/low pulse durations), and the load capacitance of the external clock source must meet the DSP requirements in this data sheet (see the *electrical characteristics over recommended ranges of supply voltage and operating case temperature* table and the *input and output clocks* electricals section). Table 17 lists some examples of compatible CLKIN external clock sources.

**Table 17. Compatible CLKIN External Clock Sources**

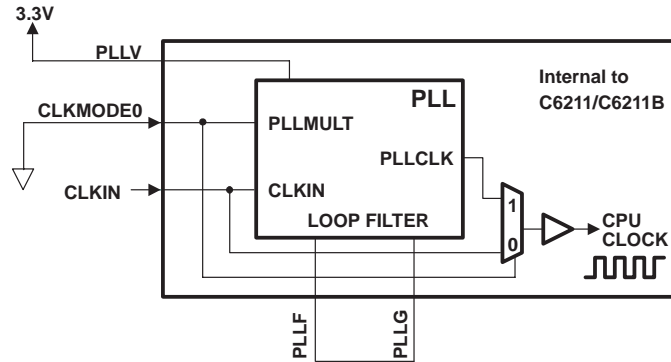
| COMPATIBLE PARTS FOR EXTERNAL CLOCK SOURCES (CLKIN) | PART NUMBER               | MANUFACTURER               |
|---|---------------------------|----------------------------|
| Oscillators   | JITO-2                    | Fox Electronix             |
|   | STA series, ST4100 series | SaRonix Corporation        |
|   | SG-636                    | Epson America              |
|   | 342                       | Corning Frequency Control  |
| PLL   | MK1711-S, ICS525-02       | Integrated Circuit Systems |



- NOTES:
- A. Keep the lead length and the number of vias between the PLLF pin, the PLLG pin, and R1, C1, and C2 to a minimum. In addition, place all PLL external components (R1, C1, C2, C3, C4, and the EMI Filter) as close to the C6000 device as possible. For the best performance, TI recommends that all the PLL external components be on a single side of the board without jumpers, switches, or components other than the ones shown.
  - B. For reduced PLL jitter, maximize the spacing between switching signals and the PLL external components (R1, C1, C2, C3, C4, and the EMI filter).
  - C. The 3.3-V supply for the EMI filter must be from the same 3.3-V power plane supplying the I/O voltage, DV<sub>DD</sub>.
  - D. EMI filter manufacturer: TDK part number ACF451832-333, 223, 153, 103. Panasonic part number EXCCET103U.

**Figure 5. External PLL Circuitry for Either PLL x4 Mode or x1 (Bypass) Mode**

clock PLL (continued)



- NOTES: A. For a system with ONLY PLL x1 (bypass) mode, short the PLLF terminal to the PLLG terminal.  
B. The 3.3-V supply for the EMI filter must be from the same 3.3-V power plane supplying the I/O voltage, DV<sub>DD</sub>.

Figure 6. External PLL Circuitry for x1 (Bypass) Mode Only

Table 18. C6211/C6211B PLL Component Selection

| CLKMODE | CLKIN RANGE (MHz) | CPU CLOCK FREQUENCY (CLKOUT1) RANGE (MHz) | CLKOUT2 RANGE (MHz) | R1 [±1%] (Ω) | C1 [±10%] (nF) | C2 [±10%] (pF) | TYPICAL LOCK TIME (μs) <sup>†</sup> |
|---------|-------------------|---|---------------------|--------------|----------------|----------------|-------------------------------------|
| x4      | 16.3–41.6         | 65–167                                    | 32.5–83             | 60.4         | 27             | 560            | 75                                  |

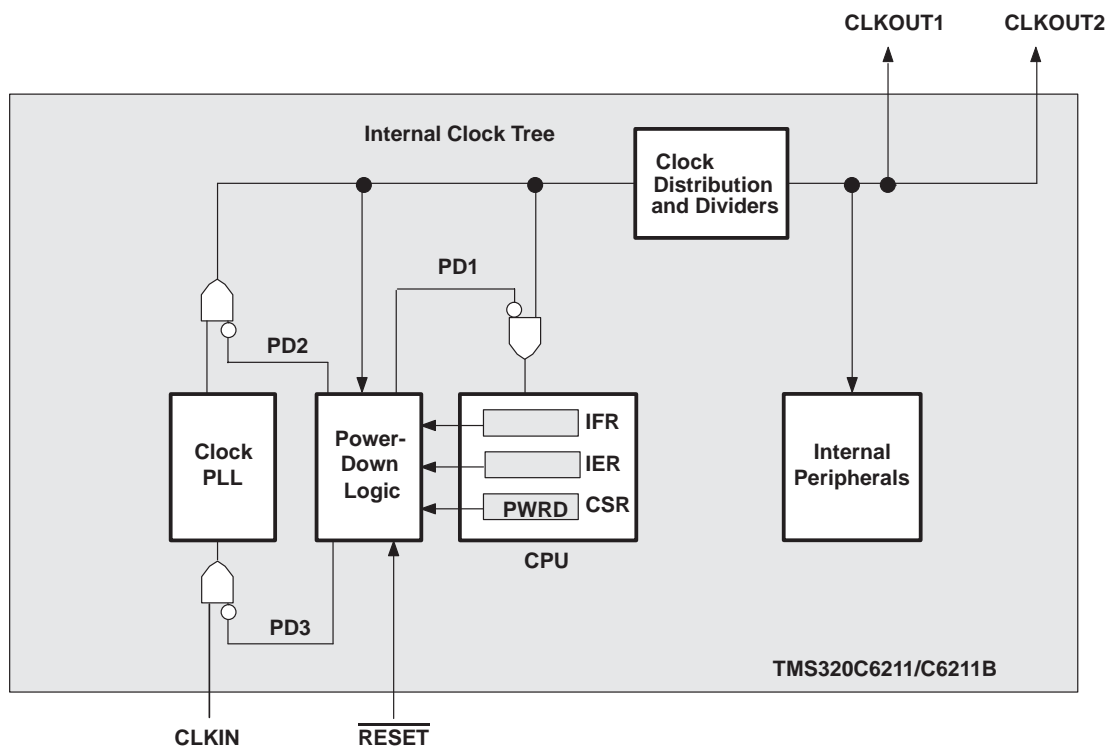
<sup>†</sup> Under some operating conditions, the maximum PLL lock time may vary as much as 150% from the specified typical value. For example, if the typical lock time is specified as 100 μs, the maximum value may be as long as 250 μs.

# TMS320C6211, TMS320C6211B FIXED-POINT DIGITAL SIGNAL PROCESSORS

SPRS073L – AUGUST 1998 – REVISED JUNE 2005

## power-down mode logic

Figure 7 shows the power-down mode logic on the C6211/C6211B.

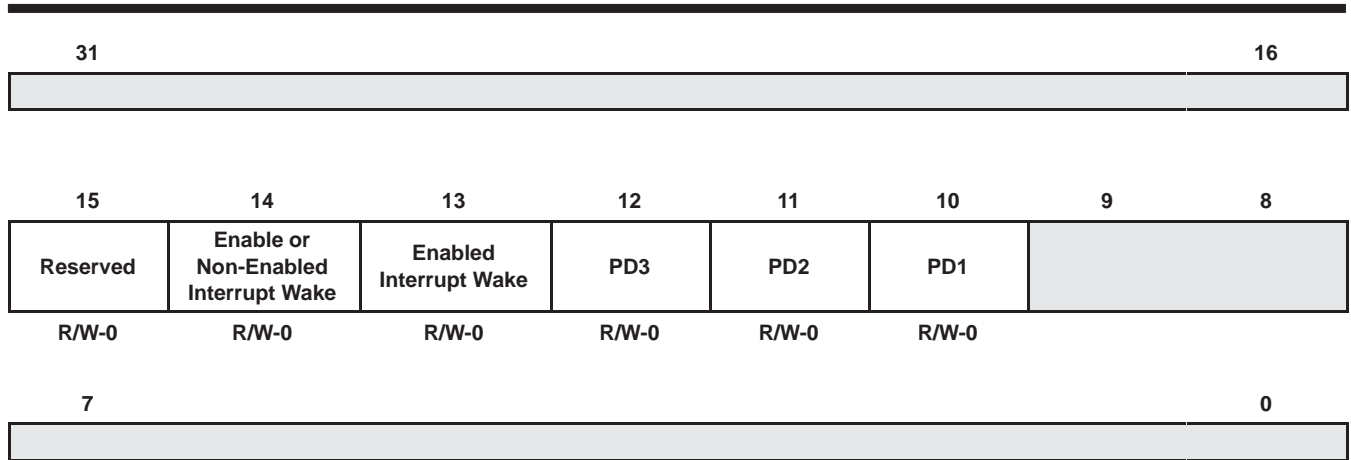


† External input clocks, with the exception of CLKIN, are *not* gated by the power-down mode logic.

**Figure 7. Power-Down Mode Logic†**

## triggering, wake-up, and effects

The power-down modes and their wake-up methods are programmed by setting the PWRD field (bits 15–10) of the control status register (CSR). The PWRD field of the CSR is shown in Figure 8 and described in Table 19. When writing to the CSR, all bits of the PWRD field should be set at the same time. Logic 0 should be used when “writing” to the reserved bit (bit 15) of the PWRD field. The CSR is discussed in detail in the *TMS320C6000 CPU and Instruction Set Reference Guide* (literature number SPRU189).



**Legend:** R/W-x = Read/write reset value

**NOTE:** The shadowed bits are not part of the power-down logic discussion and therefore are not covered here. For information on these other bit fields in the CSR register, see the *TMS320C6000 CPU and Instruction Set Reference Guide* (literature number SPRU189).

**Figure 8. PWRD Field of the CSR Register**

A delay of up to nine clock cycles may occur after the instruction that sets the PWRD bits in the CSR before the PD mode takes effect. As best practice, NOPs should be padded after the PWRD bits are set in the CSR to account for this delay.

If PD1 mode is terminated by a non-enabled interrupt, the program execution returns to the instruction where PD1 took effect. If PD1 mode is terminated by an enabled interrupt, the interrupt service routine will be executed first, then the program execution returns to the instruction where PD1 took effect. In the case with an enabled interrupt, the GIE bit in the CSR and the NMIE bit in the interrupt enable register (IER) must also be set in order for the interrupt service routine to execute; otherwise, execution returns to the instruction where PD1 took effect upon PD1 mode termination by an enabled interrupt.

PD2 and PD3 modes can only be aborted by device reset. Table 19 summarizes all the power-down modes.

# TMS320C6211, TMS320C6211B FIXED-POINT DIGITAL SIGNAL PROCESSORS

SPRS073L – AUGUST 1998 – REVISED JUNE 2005

**Table 19. Characteristics of the Power-Down Modes**

| PRWD FIELD (BITS 15–10) | POWER-DOWN MODE | WAKE-UP METHOD                              | EFFECT ON CHIP'S OPERATION   |
|-------------------------|-----------------|---|--|
| 000000                  | No power-down   | —   | —  |
| 001001                  | PD1             | Wake by an enabled interrupt                | CPU halted (except for the interrupt logic)<br>Power-down mode blocks the internal clock inputs at the boundary of the CPU, preventing most of the CPU's logic from switching. During PD1, EDMA transactions can proceed between peripherals and internal memory.  |
| 010001                  | PD1             | Wake by an enabled or non-enabled interrupt |  |
| 011010                  | PD2†            | Wake by a device reset                      | Output clock from PLL is halted, stopping the internal clock structure from switching and resulting in the entire chip being halted. All register and internal RAM contents are preserved. All functional I/O "freeze" in the last state when the PLL clock is turned off.   |
| 011100                  | PD3†            | Wake by a device reset                      | Input clock to the PLL stops generating clocks. All register and internal RAM contents are preserved. All functional I/O "freeze" in the last state when the PLL clock is turned off. Following reset, the PLL needs time to re-lock, just as it does following power-up. Wake-up from PD3 takes longer than wake-up from PD2 because the PLL needs to be re-locked, just as it does following power-up. |
| All others              | Reserved        | —   | —  |

† When entering PD2 and PD3, all functional I/O remains in the previous state. However, for peripherals which are asynchronous in nature or peripherals with an external clock source, output signals may transition in response to stimulus on the inputs. Under these conditions, peripherals will not operate according to specifications.



---

### power-supply sequencing

TI DSPs do not require specific power sequencing between the core supply and the I/O supply. However, systems should be designed to ensure that neither supply is powered up for extended periods of time if the other supply is below the proper operating voltage.

### system-level design considerations

System-level design considerations, such as bus contention, may require supply sequencing to be implemented. In this case, the core supply should be powered up at the same time as, or prior to (and powered down after), the I/O buffers. This is to ensure that the I/O buffers receive valid inputs from the core before the output buffers are powered up, thus, preventing bus contention with other chips on the board.

### power-supply design considerations

For systems using the C6000™ DSP platform of devices, the core supply may be required to provide in excess of 2 A per DSP until the I/O supply is powered up. This extra current condition is a result of uninitialized logic within the DSP(s) and is corrected once the CPU sees an internal clock pulse. With the PLL enabled, as the I/O supply is powered on, a clock pulse is produced stopping the extra current draw from the supply. With the PLL disabled, as many as five external clock cycle pulses may be required to stop this extra current draw. A normal current state returns once the I/O power supply is turned on and the CPU sees a clock pulse. Decreasing the amount of time between the core supply power up and the I/O supply power up can minimize the effects of this current draw.

A dual-power supply with simultaneous sequencing, such as available with TPS563xx controllers or PT69xx plug-in power modules, can be used to eliminate the delay between core and I/O power up [see the *Using the TPS56300 to Power DSPs* application report (literature number SLVA088)]. A Schottky diode can also be used to tie the core rail to the I/O rail, effectively pulling up the I/O power supply to a level that can help initialize the logic within the DSP.

Core and I/O supply voltage regulators should be located close to the DSP (or DSP array) to minimize inductance and resistance in the power delivery path. Additionally, when designing for high-performance applications utilizing the C6000™ platform of DSPs, the PC board should include separate power planes for core, I/O, and ground, all bypassed with high-quality low-ESL/ESR capacitors.

# TMS320C6211, TMS320C6211B FIXED-POINT DIGITAL SIGNAL PROCESSORS

SPRS073L – AUGUST 1998 – REVISED JUNE 2005

---

## IEEE 1149.1 JTAG compatibility statement

The TMS320C6211/C6211B DSP requires that both  $\overline{\text{TRST}}$  and  $\overline{\text{RESET}}$  resets be asserted upon power up to be properly initialized. While  $\overline{\text{RESET}}$  initializes the DSP core,  $\overline{\text{TRST}}$  initializes the DSP's emulation logic. Both resets are required for proper operation.

While both  $\overline{\text{TRST}}$  and  $\overline{\text{RESET}}$  need to be asserted upon power up, only  $\overline{\text{RESET}}$  needs to be released for the DSP to boot properly.  $\overline{\text{TRST}}$  may be asserted indefinitely for normal operation, keeping the JTAG port interface and DSP's emulation logic in the reset state.

$\overline{\text{TRST}}$  only needs to be released when it is necessary to use a JTAG controller to debug the DSP or exercise the DSP's boundary scan functionality.

For maximum reliability, the TMS320C6211/C6211B DSP includes an internal pulldown (IPD) on the  $\overline{\text{TRST}}$  pin to ensure that  $\overline{\text{TRST}}$  will always be asserted upon power up and the DSP's internal emulation logic will always be properly initialized.

JTAG controllers from Texas Instruments actively drive  $\overline{\text{TRST}}$  high. However, some third-party JTAG controllers may not drive  $\overline{\text{TRST}}$  high but expect the use of an external pullup resistor on  $\overline{\text{TRST}}$ .

When using this type of JTAG controller, assert  $\overline{\text{TRST}}$  to initialize the DSP after powerup and externally drive  $\overline{\text{TRST}}$  high before attempting any emulation or boundary scan operations. Following the release of  $\overline{\text{RESET}}$ , the low-to-high transition of  $\overline{\text{TRST}}$  must be "seen" to latch the state of EMU1 and EMU0. The EMU[1:0] pins configure the device for either Boundary Scan mode or Emulation mode. For more detailed information, see the terminal functions section of this data sheet.

## EMIF device speed

TI recommends utilizing the input/output buffer information specification (IBIS) models to analyze all AC timings. To properly use IBIS models to attain accurate timing analysis for a given system, see the *Using IBIS Models for Timing Analysis* application report (literature number SPRA839).



## bootmode

The C62x™ device resets using the active-low signal  $\overline{\text{RESET}}$  signal (for the C6211/C6211B device, the  $\overline{\text{RESET}}$  signal is the same as the internal reset signal). While  $\overline{\text{RESET}}$  is low, the internal reset is also asserted and the device is held in reset and is initialized to the prescribed reset state. Refer to reset timing for reset timing characteristics and states of device pins during reset. The release of the internal reset signal (see the Reset Phase 3 discussion in the Reset Timing section of this data sheet) starts the processor running with the prescribed device configuration and boot mode.

The C6211/C6211B has three types of boot modes:

- Host boot

If host boot is selected, upon release of internal reset, the CPU is internally “stalled” while the remainder of the device is released. During this period, an external host can initialize the CPU’s memory space as necessary through the host interface, including internal configuration registers, such as those that control the EMIF or other peripherals. Once the host is finished with all necessary initialization, it must set the DSPINT bit in the HPIC register to complete the boot process. This transition causes the boot configuration logic to bring the CPU out of the “stalled” state. The CPU then begins execution from address 0. The DSPINT condition is not latched by the CPU, because it occurs while the CPU is still internally “stalled”. Also, DSPINT brings the CPU out of the “stalled” state only if the host boot process is selected. All memory may be written to and read by the host. This allows for the host to verify what it sends to the DSP if required. After the CPU is out of the “stalled” state, the CPU needs to clear the DSPINT, otherwise, no more DSPINTs can be received.

- Emulation boot

Emulation boot mode is a variation of host boot. In this mode, it is not necessary for a host to load code or to set DSPINT to release the CPU from the “stalled” state. Instead, the emulator will set DSPINT if it has not been previously set so that the CPU can begin executing code from address 0. Prior to beginning execution, the emulator sets a breakpoint at address 0. This prevents the execution of invalid code by halting the CPU prior to executing the first instruction. Emulation boot is a good tool in the debug phase of development.

- EMIF boot (using default ROM timings)

Upon the release of internal reset, the 1K-Byte ROM code located in the beginning of  $\overline{\text{CE1}}$  is copied to address 0 by the EDMA using the default ROM timings, while the CPU is internally “stalled”. The data should be stored in the endian format that the system is using. The boot process also lets you choose the width of the ROM. In this case, the EMIF automatically assembles consecutive 8-bit bytes or 16-bit half-words to form the 32-bit instruction words to be copied. The transfer is automatically done by the EDMA as a single-frame block transfer from the ROM to address 0. After completion of the block transfer, the CPU is released from the “stalled” state and start running from address 0.

# TMS320C6211, TMS320C6211B FIXED-POINT DIGITAL SIGNAL PROCESSORS

SPRS073L – AUGUST 1998 – REVISED JUNE 2005

## absolute maximum ratings over operating case temperature range (unless otherwise noted)<sup>†</sup>

|   |                  |
|---|------------------|
| Supply voltage range, $CV_{DD}$ (see Note 1)        | – 0.3 V to 2.3 V |
| Supply voltage range, $DV_{DD}$ (see Note 1)        | –0.3 V to 4 V    |
| Input voltage range                                 | –0.3 V to 4 V    |
| Output voltage range                                | –0.3 V to 4 V    |
| Operating case temperature ranges, $T_C$ :(default) | 0°C to 90°C      |
| (A version) [C6211BGFNA only]                       | –40°C to 105°C   |
| Storage temperature range, $T_{stg}$                | –65°C to 150°C   |

<sup>†</sup> Stresses beyond those listed under “absolute maximum ratings” may cause permanent damage to the device. These are stress ratings only, and functional operation of the device at these or any other conditions beyond those indicated under “recommended operating conditions” is not implied. Exposure to absolute-maximum-rated conditions for extended periods may affect device reliability.

NOTE 1: All voltage values are with respect to  $V_{SS}$ .

## recommended operating conditions

|           |                            | MIN  | NOM | MAX  | UNIT |    |
|-----------|----------------------------|--|-----|------|------|----|
| $CV_{DD}$ | Supply voltage, Core       | 1.71   | 1.8 | 1.89 | V    |    |
| $DV_{DD}$ | Supply voltage, I/O        | 3.14   | 3.3 | 3.46 | V    |    |
| $V_{SS}$  | Supply ground              | 0  | 0   | 0    | V    |    |
| $V_{IH}$  | High-level input voltage   | 2  |     |      | V    |    |
| $V_{IL}$  | Low-level input voltage    |  |     | 0.8  | V    |    |
| $I_{OH}$  | High-level output current  | All signals except CLKOUT1, CLKOUT2, and ECLKOUT |     | –4   | mA   |    |
|           |                            | CLKOUT1, CLKOUT2, and ECLKOUT                    |     | –8   | mA   |    |
| $I_{OL}$  | Low-level output current   | All signals except CLKOUT1, CLKOUT2, and ECLKOUT |     | 4    | mA   |    |
|           |                            | CLKOUT1, CLKOUT2, and ECLKOUT                    |     | 8    | mA   |    |
| $T_C$     | Operating case temperature | Default  |     | 0    | 90   | °C |
|           |                            | A version (C6211BGFNA only)                      |     | –40  | 105  | °C |

## electrical characteristics over recommended ranges of supply voltage and operating case temperature (unless otherwise noted)

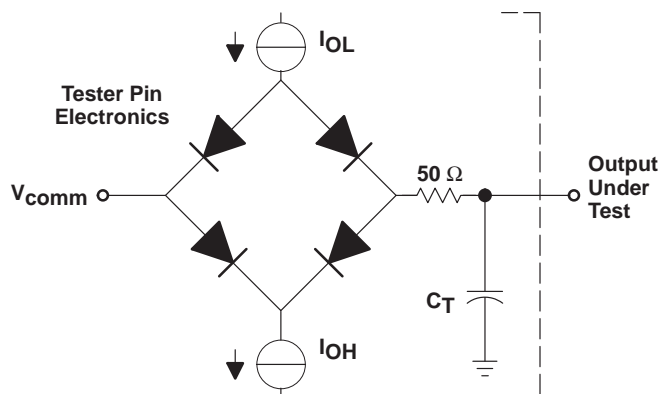
| PARAMETER  | TEST CONDITIONS <sup>‡</sup>                         | MIN  | TYP | MAX  | UNIT |
|------------|--|--|-----|------|------|
| $V_{OH}$   | High-level output voltage                            | $DV_{DD} = \text{MIN}, I_{OH} = \text{MAX}$          |     | 2.4  | V    |
| $V_{OL}$   | Low-level output voltage                             | $DV_{DD} = \text{MIN}, I_{OL} = \text{MAX}$          |     | 0.4  | V    |
| $I_I$      | Input current  | $V_I = V_{SS} \text{ to } DV_{DD}$                   |     | ±150 | µA   |
| $I_{OZ}$   | Off-state output current                             | $V_O = DV_{DD} \text{ or } 0 \text{ V}$              |     | ±10  | µA   |
| $I_{DD2V}$ | Supply current, CPU + CPU memory access <sup>§</sup> | C6211, $CV_{DD} = \text{NOM}$ , CPU clock = 150 MHz  |     | 270  | mA   |
|            |  | C6211B, $CV_{DD} = \text{NOM}$ , CPU clock = 150 MHz |     | 270  | mA   |
| $I_{DD2V}$ | Supply current, peripherals <sup>§</sup>             | C6211, $CV_{DD} = \text{NOM}$ , CPU clock = 150 MHz  |     | 220  | mA   |
|            |  | C6211B, $CV_{DD} = \text{NOM}$ , CPU clock = 150 MHz |     | 220  | mA   |
| $I_{DD3V}$ | Supply current, I/O pins <sup>§</sup>                | C6211, $DV_{DD} = \text{NOM}$ , CPU clock = 150 MHz  |     | 60   | mA   |
|            |  | C6211B, $DV_{DD} = \text{NOM}$ , CPU clock = 150 MHz |     | 60   | mA   |
| $C_i$      | Input capacitance                                    |  |     | 7    | pF   |
| $C_o$      | Output capacitance                                   |  |     | 7    | pF   |

<sup>‡</sup> For test conditions shown as MIN, MAX, or NOM, use the appropriate value specified in the recommended operating conditions table.

<sup>§</sup> Measured with average activity (50% high/50% low power). For more details on CPU, peripheral, and I/O activity, refer to the *TMS320C62x/C67x Power Consumption Summary* application report (literature number SPRA486).



PARAMETER MEASUREMENT INFORMATION



Where:  $I_{OL}$  = 2 mA  
 $I_{OH}$  = 2 mA  
 $V_{comm}$  = 0.8 V  
 $C_T$  = 10–15-pF typical load-circuit capacitance

Figure 9. Test Load Circuit for AC Timing Measurements

signal transition levels

All input and output timing parameters are referenced to 1.5 V for both “0” and “1” logic levels.

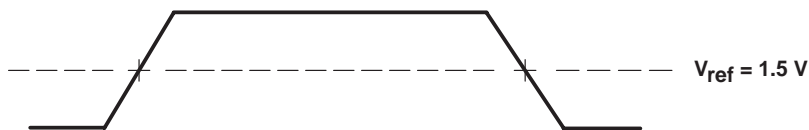


Figure 10. Input and Output Voltage Reference Levels for ac Timing Measurements

All rise and fall transition timing parameters are referenced to  $V_{IL}$  MAX and  $V_{IH}$  MIN for input clocks, and  $V_{OL}$  MAX and  $V_{OH}$  MIN for output clocks.

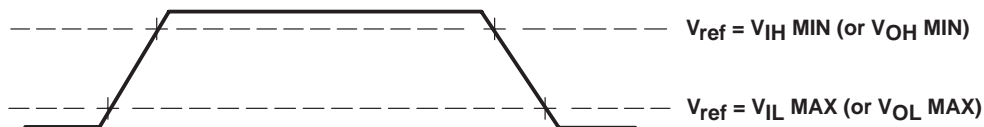


Figure 11. Rise and Fall Transition Time Voltage Reference Levels

# TMS320C6211, TMS320C6211B FIXED-POINT DIGITAL SIGNAL PROCESSORS

SPRS073L – AUGUST 1998 – REVISED JUNE 2005

---

## PARAMETER MEASUREMENT INFORMATION (CONTINUED)

### timing parameters and board routing analysis

The timing parameter values specified in this data sheet do *not* include delays by board routings. As a good board design practice, such delays must *always* be taken into account. Timing values may be adjusted by increasing/decreasing such delays. TI recommends utilizing the available I/O buffer information specification (IBIS) models to analyze the timing characteristics correctly. If needed, external logic hardware such as buffers may be used to compensate any timing differences. For example:

- In typical boards with the C6211B commercial temperature device, the routing delay improves the external memory's ability to meet the DSP's EMIF data input hold time requirement [ $t_{h(EKOH-EDV)}$ ].
- In some boards with the C6211BGFNA extended temperature device, the routing delay improves the external memory's ability to meet the DSP's EMIF data input hold time requirement [ $t_{h(EKOH-EDV)}$ ]. In addition, it may be necessary to add an extra delay to the input clock of the external memory to robustly meet the DSP's data input hold time requirement. If the extra delay approach is used, memory bus frequency adjustments may be needed to ensure the DSP's input setup time requirement [ $t_{su(EDV-EKOH)}$ ] is still maintained.

For inputs, timing is most impacted by the round-trip propagation delay from the DSP to the external device and from the external device to the DSP. This round-trip delay tends to negatively impact the input setup time margin, but also tends to improve the input hold time margins (see Table 20 and Figure 12).

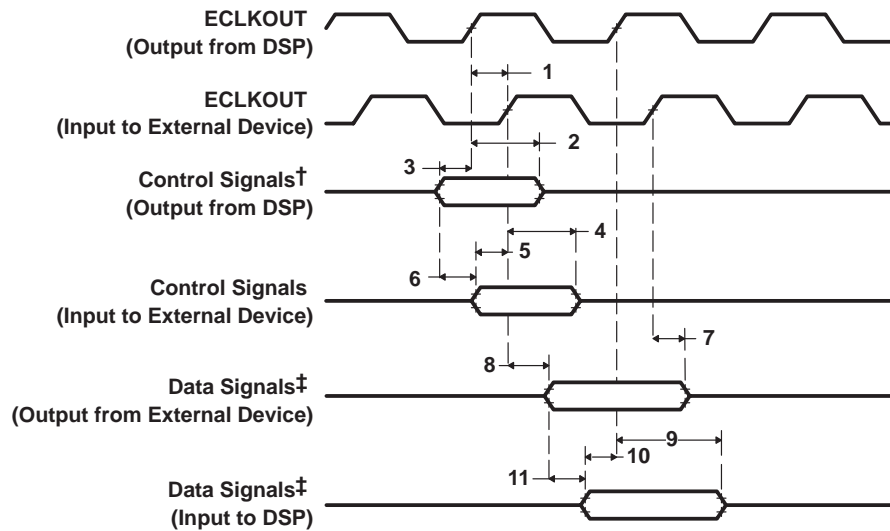
Figure 12 represents a general transfer between the DSP and an external device. The figure also represents board route delays and how they are perceived by the DSP and the external device.



PARAMETER MEASUREMENT INFORMATION (CONTINUED)

Table 20. IBIS Timing Parameters Example (see Figure 12)

| NO. | DESCRIPTION                            |
|-----|--|
| 1   | Clock route delay                      |
| 2   | Minimum DSP hold time                  |
| 3   | Minimum DSP setup time                 |
| 4   | External device hold time requirement  |
| 5   | External device setup time requirement |
| 6   | Control signal route delay             |
| 7   | External device hold time              |
| 8   | External device access time            |
| 9   | DSP hold time requirement              |
| 10  | DSP setup time requirement             |
| 11  | Data route delay                       |



† Control signals include data for Writes.

‡ Data signals are generated during Reads from an external device.

Figure 12. IBIS Input/Output Timings

# TMS320C6211, TMS320C6211B FIXED-POINT DIGITAL SIGNAL PROCESSORS

SPRS073L – AUGUST 1998 – REVISED JUNE 2005

## INPUT AND OUTPUT CLOCKS

timing requirements for CLKIN<sup>†‡</sup> (see Figure 13)

| NO. |   | -150         |     |              |     | -167         |     |              |     | UNIT |
|-----|---|--------------|-----|--------------|-----|--------------|-----|--------------|-----|------|
|     |   | CLKMODE = x4 |     | CLKMODE = x1 |     | CLKMODE = x4 |     | CLKMODE = x1 |     |      |
|     |   | MIN          | MAX | MIN          | MAX | MIN          | MAX | MIN          | MAX |      |
| 1   | $t_c(\text{CLKIN})$ Cycle time, CLKIN           | 26.7         |     | 6.7          |     | 24           |     | 6            |     | ns   |
| 2   | $t_w(\text{CLKINH})$ Pulse duration, CLKIN high | 0.4C         |     | 0.45C        |     | 0.4C         |     | 0.45C        |     | ns   |
| 3   | $t_w(\text{CLKINL})$ Pulse duration, CLKIN low  | 0.4C         |     | 0.45C        |     | 0.4C         |     | 0.45C        |     | ns   |
| 4   | $t_t(\text{CLKIN})$ Transition time, CLKIN      |              | 5   |              | 1   |              | 5   |              | 1   | ns   |

<sup>†</sup> The reference points for the rise and fall transitions are measured at  $V_{IL}$  MAX and  $V_{IH}$  MIN.

<sup>‡</sup> C = CLKIN cycle time in ns. For example, when CLKIN frequency is 40 MHz, use C = 25 ns.

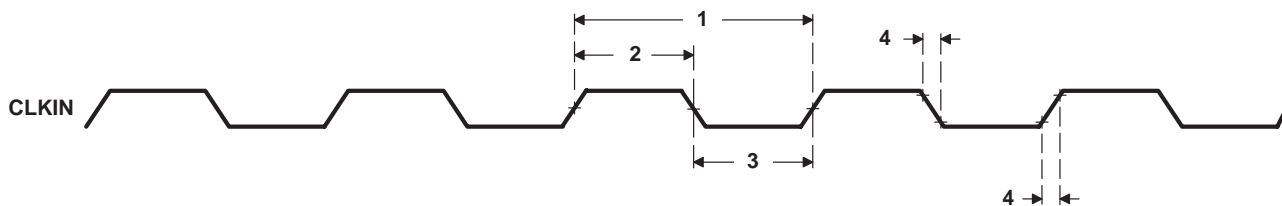


Figure 13. CLKIN Timings

INPUT AND OUTPUT CLOCKS (CONTINUED)

switching characteristics over recommended operating conditions for CLKOUT1†‡§  
(see Figure 14)

| NO. | PARAMETER  | -150<br>-167  |               |              |            | UNIT |
|-----|--|---------------|---------------|--------------|------------|------|
|     |  | CLKMODE = x4  |               | CLKMODE = x1 |            |      |
|     |  | MIN           | MAX           | MIN          | MAX        |      |
| 1   | $t_c(\text{CKO1})$ Cycle time, CLKOUT1           | $P - 0.7$     | $P + 0.7$     | $P - 0.7$    | $P + 0.7$  | ns   |
| 2   | $t_w(\text{CKO1H})$ Pulse duration, CLKOUT1 high | $(P/2) - 0.7$ | $(P/2) + 0.7$ | $PH - 0.7$   | $PH + 0.7$ | ns   |
| 3   | $t_w(\text{CKO1L})$ Pulse duration, CLKOUT1 low  | $(P/2) - 0.7$ | $(P/2) + 0.7$ | $PL - 0.7$   | $PL + 0.7$ | ns   |
| 4   | $t_t(\text{CKO1})$ Transition time, CLKOUT1      | 2             |               | 2            |            | ns   |

† The reference points for the rise and fall transitions are measured at  $V_{OL \text{ MAX}}$  and  $V_{OH \text{ MIN}}$ .

‡  $P = 1/\text{CPU clock frequency}$  in nanoseconds (ns)

§ PH is the high period of CLKIN in ns and PL is the low period of CLKIN in ns.

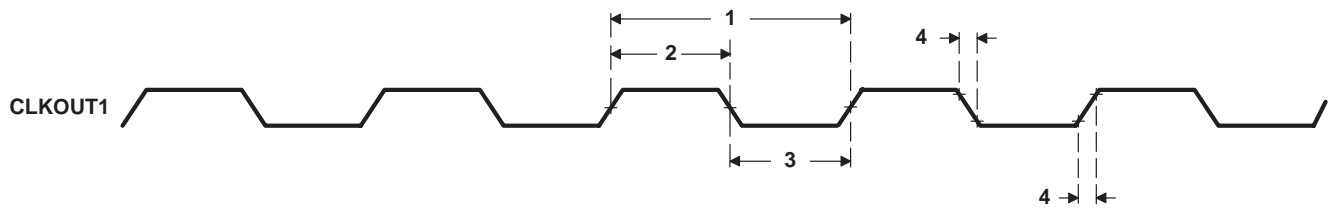


Figure 14. CLKOUT1 Timings

switching characteristics over recommended operating conditions for CLKOUT2†‡ (see Figure 15)

| NO. | PARAMETER  | -150<br>-167 |            | UNIT |
|-----|--|--------------|------------|------|
|     |  | MIN          | MAX        |      |
| 1   | $t_c(\text{CKO2})$ Cycle time, CLKOUT2           | $2P - 0.7$   | $2P + 0.7$ | ns   |
| 2   | $t_w(\text{CKO2H})$ Pulse duration, CLKOUT2 high | $P - 0.7$    | $P + 0.7$  | ns   |
| 3   | $t_w(\text{CKO2L})$ Pulse duration, CLKOUT2 low  | $P - 0.7$    | $P + 0.7$  | ns   |
| 4   | $t_t(\text{CKO2})$ Transition time, CLKOUT2      | 2            |            | ns   |

† The reference points for the rise and fall transitions are measured at  $V_{OL \text{ MAX}}$  and  $V_{OH \text{ MIN}}$ .

‡  $P = 1/\text{CPU clock frequency}$  in ns

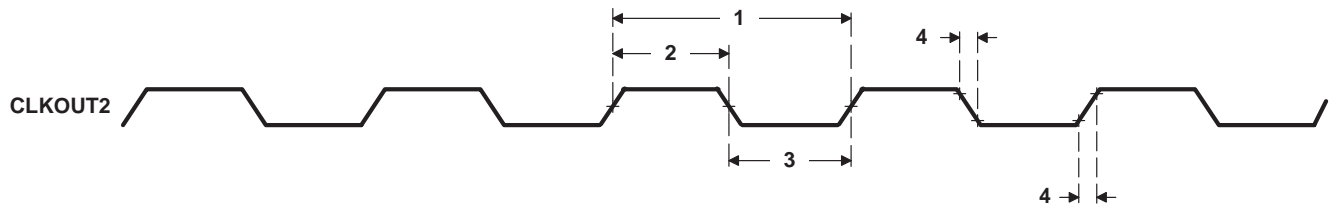


Figure 15. CLKOUT2 Timings

# TMS320C6211, TMS320C6211B FIXED-POINT DIGITAL SIGNAL PROCESSORS

SPRS073L – AUGUST 1998 – REVISED JUNE 2005

## INPUT AND OUTPUT CLOCKS (CONTINUED)

timing requirements for ECLKIN† (see Figure 16)

| NO. |  | -150<br>-167 |     | UNIT |
|-----|--|--------------|-----|------|
|     |  | MIN          | MAX |      |
| 1   | $t_c(\text{EKI})$ Cycle time, ECLKIN           | 10           |     | ns   |
| 2   | $t_w(\text{EKIH})$ Pulse duration, ECLKIN high | 4.5          |     | ns   |
| 3   | $t_w(\text{EKIL})$ Pulse duration, ECLKIN low  | 4.5          |     | ns   |
| 4   | $t_t(\text{EKI})$ Transition time, ECLKIN      |              | 2.2 | ns   |

† The reference points for the rise and fall transitions are measured at  $V_{IL \text{ MAX}}$  and  $V_{IH \text{ MIN}}$ .

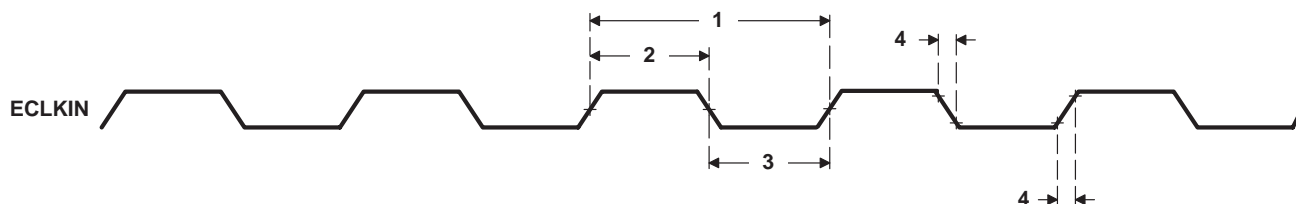


Figure 16. ECLKIN Timings

switching characteristics over recommended operating conditions for ECLKOUT‡§¶ (see Figure 17)

| NO. | PARAMETER   | -150<br>-167 |            | UNIT |
|-----|---|--------------|------------|------|
|     |   | MIN          | MAX        |      |
| 1   | $t_c(\text{EKO})$ Cycle time, ECLKOUT                           | $E - 0.7$    | $E + 0.7$  | ns   |
| 2   | $t_w(\text{EKOH})$ Pulse duration, ECLKOUT high                 | $EH - 0.7$   | $EH + 0.7$ | ns   |
| 3   | $t_w(\text{EKOL})$ Pulse duration, ECLKOUT low                  | $EL - 0.7$   | $EL + 0.7$ | ns   |
| 4   | $t_t(\text{EKO})$ Transition time, ECLKOUT                      |              | 2          | ns   |
| 5   | $t_d(\text{EKIH-EKOH})$ Delay time, ECLKIN high to ECLKOUT high | 1            | 7          | ns   |
| 6   | $t_d(\text{EKIL-EKOL})$ Delay time, ECLKIN low to ECLKOUT low   | 1            | 7          | ns   |

‡ The reference points for the rise and fall transitions are measured at  $V_{OL \text{ MAX}}$  and  $V_{OH \text{ MIN}}$ .

§  $E$  = ECLKIN period in ns

¶  $EH$  is the high period of ECLKIN in ns and  $EL$  is the low period of ECLKIN in ns.

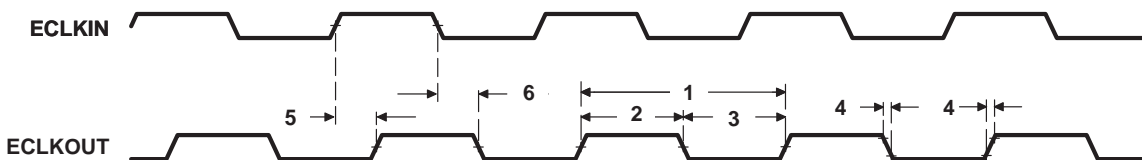


Figure 17. ECLKOUT Timings

ASYNCHRONOUS MEMORY TIMING

timing requirements for asynchronous memory cycles<sup>†‡§</sup> (see Figure 18–Figure 19)

| NO. |   | C6211–150<br>C6211–167 |     | C6211B–150<br>C6211B–167<br>C6211BGFNA–150 |     | UNIT |
|-----|---|------------------------|-----|--|-----|------|
|     |   | MIN                    | MAX | MIN  | MAX |      |
| 3   | $t_{su}(EDV-AREH)$ Setup time, EDx valid before $\overline{ARE}$ high | 9                      |     | 9  |     | ns   |
| 4   | $t_h(AREH-EDV)$ Hold time, EDx valid after $\overline{ARE}$ high      | 1                      |     | 2  |     | ns   |
| 6   | $t_{su}(ARDY-EKOH)$ Setup time, ARDY valid before ECLKOUT high        | 3                      |     | 3  |     | ns   |
| 7   | $t_h(EKOH-ARDY)$ Hold time, ARDY valid after ECLKOUT high             | 1                      |     | 2  |     | ns   |

<sup>†</sup> To ensure data setup time, simply program the strobe width wide enough. ARDY is internally synchronized. The ARDY signal is recognized in the cycle for which the setup and hold time is met. To use ARDY as an asynchronous input, the pulse width of the ARDY signal should be wide enough (e.g., pulse width = 2E) to ensure setup and hold time is met.

<sup>‡</sup> RS = Read setup, RST = Read strobe, RH = Read hold, WS = Write setup, WST = Write strobe, WH = Write hold. These parameters are programmed via the EMIF CE space control registers.

<sup>§</sup> E = ECLKOUT period in ns

switching characteristics over recommended operating conditions for asynchronous memory cycles for C6211 and C6211B<sup>†‡§¶</sup> (see Figure 18–Figure 19)

| NO. | PARAMETER  | C6211–150<br>C6211–167 |     | C6211B–150<br>C6211B–167 |     | UNIT |
|-----|--|------------------------|-----|--------------------------|-----|------|
|     |  | MIN                    | MAX | MIN                      | MAX |      |
| 1   | $t_{osu}(SELV-AREL)$ Output setup time, select signals valid to $\overline{ARE}$ low   | RS * E – 3             |     | RS * E – 3               |     | ns   |
| 2   | $t_{oh}(AREH-SELIV)$ Output hold time, $\overline{ARE}$ high to select signals invalid | RH * E – 3             |     | RH * E – 3               |     | ns   |
| 5   | $t_d(EKOH-AREV)$ Delay time, ECLKOUT high to $\overline{ARE}$ valid                    | 1.5                    | 8   | 1.5                      | 8   | ns   |
| 8   | $t_{osu}(SELV-AWEL)$ Output setup time, select signals valid to $\overline{AWE}$ low   | WS * E – 3             |     | WS * E – 3               |     | ns   |
| 9   | $t_{oh}(AWEH-SELIV)$ Output hold time, $\overline{AWE}$ high to select signals invalid | WH * E – 3             |     | WH * E – 3               |     | ns   |
| 10  | $t_d(EKOH-AWEV)$ Delay time, ECLKOUT high to $\overline{AWE}$ valid                    | 1.5                    | 8   | 1.2                      | 8   | ns   |

<sup>†</sup> RS = Read setup, RST = Read strobe, RH = Read hold, WS = Write setup, WST = Write strobe, WH = Write hold. These parameters are programmed via the EMIF CE space control registers.

<sup>§</sup> E = ECLKOUT period in ns

<sup>¶</sup> Select signals include:  $\overline{CE}_x$ ,  $\overline{BE}[3:0]$ ,  $\overline{EA}[21:2]$ ,  $\overline{AOE}$ ; and for writes, include  $\overline{ED}[31:0]$ .

switching characteristics over recommended operating conditions for asynchronous memory cycles for C6211BGFNA<sup>†‡§¶</sup> (see Figure 18–Figure 19)

| NO. | PARAMETER  | C6211BGFNA–150 |     | UNIT |
|-----|--|----------------|-----|------|
|     |  | MIN            | MAX |      |
| 1   | $t_{osu}(SELV-AREL)$ Output setup time, select signals valid to $\overline{ARE}$ low   | RS * E – 3     |     | ns   |
| 2   | $t_{oh}(AREH-SELIV)$ Output hold time, $\overline{ARE}$ high to select signals invalid | RH * E – 3     |     | ns   |
| 5   | $t_d(EKOH-AREV)$ Delay time, ECLKOUT high to $\overline{ARE}$ valid                    | 1.5            | 8   | ns   |
| 8   | $t_{osu}(SELV-AWEL)$ Output setup time, select signals valid to $\overline{AWE}$ low   | WS * E – 3     |     | ns   |
| 9   | $t_{oh}(AWEH-SELIV)$ Output hold time, $\overline{AWE}$ high to select signals invalid | WH * E – 3     |     | ns   |
| 10  | $t_d(EKOH-AWEV)$ Delay time, ECLKOUT high to $\overline{AWE}$ valid                    | 1              | 8   | ns   |

<sup>†</sup> RS = Read setup, RST = Read strobe, RH = Read hold, WS = Write setup, WST = Write strobe, WH = Write hold. These parameters are programmed via the EMIF CE space control registers.

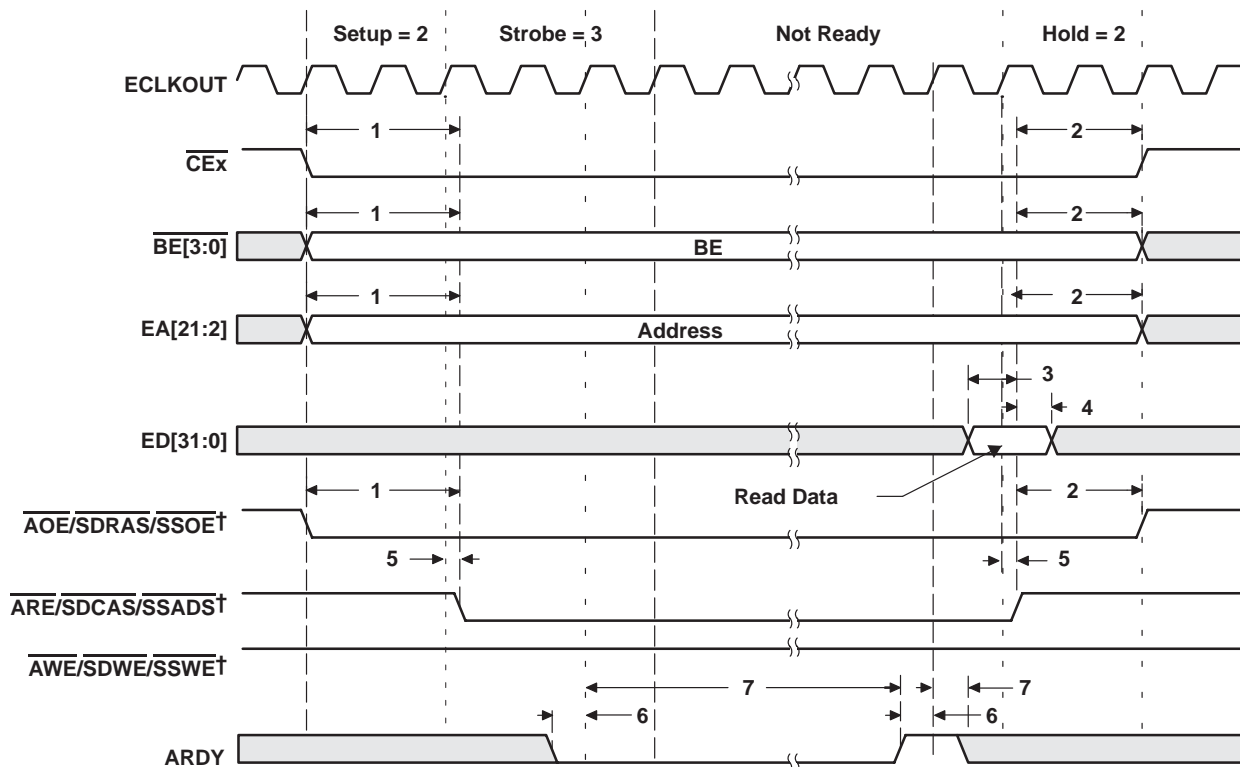
<sup>§</sup> E = ECLKOUT period in ns

<sup>¶</sup> Select signals include:  $\overline{CE}_x$ ,  $\overline{BE}[3:0]$ ,  $\overline{EA}[21:2]$ ,  $\overline{AOE}$ ; and for writes, include  $\overline{ED}[31:0]$ .

# TMS320C6211, TMS320C6211B FIXED-POINT DIGITAL SIGNAL PROCESSORS

SPRS073L – AUGUST 1998 – REVISED JUNE 2005

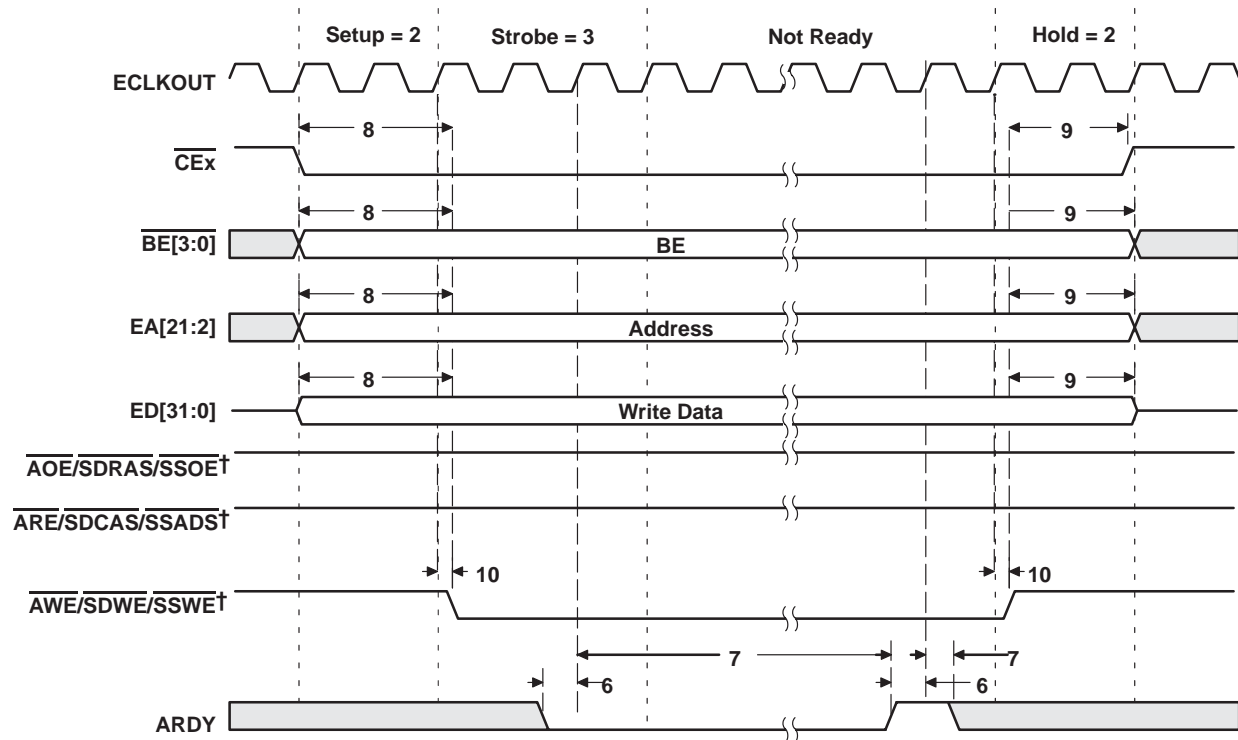
## ASYNCHRONOUS MEMORY TIMING (CONTINUED)



†  $\overline{AOE}/\overline{SDRAS}/\overline{SSOE}$ ,  $\overline{ARE}/\overline{SDCAS}/\overline{SSADS}$ , and  $\overline{AWE}/\overline{SDWE}/\overline{SSWE}$  operate as  $\overline{AOE}$  (identified under select signals),  $\overline{ARE}$ , and  $\overline{AWE}$ , respectively, during asynchronous memory accesses.

Figure 18. Asynchronous Memory Read Timing

ASYNCHRONOUS MEMORY TIMING (CONTINUED)



† AOE/SDRAS/SSOE, ARE/SDCAS/SSADS, and AWE/SDWE/SSWE operate as AOE (identified under select signals), ARE, and AWE, respectively, during asynchronous memory accesses.

Figure 19. Asynchronous Memory Write Timing

# TMS320C6211, TMS320C6211B FIXED-POINT DIGITAL SIGNAL PROCESSORS

SPRS073L – AUGUST 1998 – REVISED JUNE 2005

## SYNCHRONOUS-BURST MEMORY TIMING

timing requirements for synchronous-burst SRAM cycles<sup>†</sup> (see Figure 20)

| NO. |   | C6211–150<br>C6211–167 |     | C6211BGFNA–150 |     | C6211B–150<br>C6211B–167 |     | UNIT |
|-----|---|------------------------|-----|----------------|-----|--------------------------|-----|------|
|     |   | MIN                    | MAX | MIN            | MAX | MIN                      | MAX |      |
| 6   | $t_{su}(EDV-EKOH)$ Setup time, read EDx valid before ECLKOUT high | 2.5                    |     | 2.5            |     | 2.5                      |     | ns   |
| 7   | $t_h(EKOH-EDV)$ Hold time, read EDx valid after ECLKOUT high      | 1                      |     | 2.5            |     | 2                        |     | ns   |

<sup>†</sup> The C6211/C6211B SBSRAM interface takes advantage of the internal burst counter in the SBSRAM. Accesses default to incrementing 4-word bursts, but random bursts and decrementing bursts are done by interrupting bursts in progress. All burst types can sustain continuous data flow.

switching characteristics over recommended operating conditions for synchronous-burst SRAM cycles<sup>††</sup> (see Figure 20 and Figure 21)

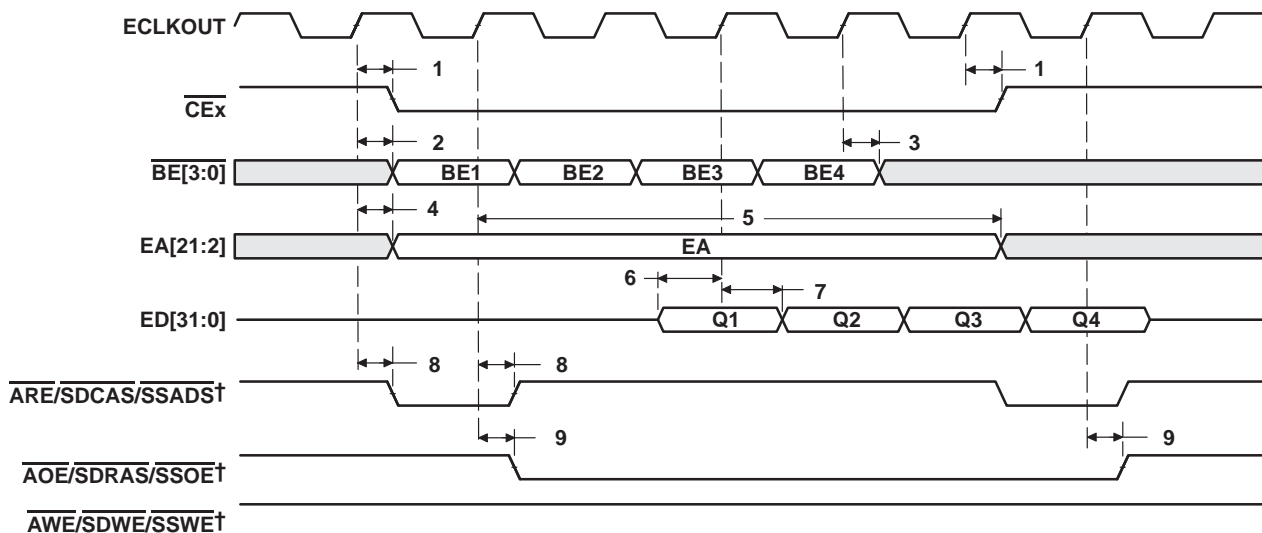
| NO. | PARAMETER   | C6211–150<br>C6211–167 |     | C6211BGFNA–150 |     | C6211B–150<br>C6211B–167 |     | UNIT |
|-----|---|------------------------|-----|----------------|-----|--------------------------|-----|------|
|     |   | MIN                    | MAX | MIN            | MAX | MIN                      | MAX |      |
| 1   | $t_d(EKOH-CEV)$ Delay time, ECLKOUT high to $\overline{CEx}$ valid                                    | 1.5                    | 6.5 | 1              | 6.5 | 1.2                      | 6.5 | ns   |
| 2   | $t_d(EKOH-BEV)$ Delay time, ECLKOUT high to $\overline{BEx}$ valid                                    |                        | 6.5 |                | 6.5 |                          | 6.5 | ns   |
| 3   | $t_d(EKOH-BEIV)$ Delay time, ECLKOUT high to $\overline{BEx}$ invalid                                 | 1.5                    |     | 1              |     | 1.2                      |     | ns   |
| 4   | $t_d(EKOH-EAV)$ Delay time, ECLKOUT high to EAx valid   |                        | 6.5 |                | 6.5 |                          | 6.5 | ns   |
| 5   | $t_d(EKOH-EAIV)$ Delay time, ECLKOUT high to EAx invalid  | 1.5                    |     | 1              |     | 1.2                      |     | ns   |
| 8   | $t_d(EKOH-ADSV)$ Delay time, ECLKOUT high to $\overline{ARE}/\overline{SDCAS}/\overline{SSADS}$ valid | 1.5                    | 6.5 | 1              | 6.5 | 1.2                      | 6.5 | ns   |
| 9   | $t_d(EKOH-OEV)$ Delay time, ECLKOUT high to $\overline{AOE}/\overline{SDRAS}/\overline{SSOE}$ valid   | 1.5                    | 6.5 | 1              | 6.5 | 1.2                      | 6.5 | ns   |
| 10  | $t_d(EKOH-EDV)$ Delay time, ECLKOUT high to $\overline{EDx}$ valid                                    |                        | 7   |                | 7   |                          | 7   | ns   |
| 11  | $t_d(EKOH-EDIV)$ Delay time, ECLKOUT high to $\overline{EDx}$ invalid                                 | 1.5                    |     | 1              |     | 1.2                      |     | ns   |
| 12  | $t_d(EKOH-WEV)$ Delay time, ECLKOUT high to $\overline{AWE}/\overline{SDWE}/\overline{SSWE}$ valid    | 1.5                    | 6.5 | 1              | 6.5 | 1.2                      | 6.5 | ns   |

<sup>†</sup> The C6211/C6211B SBSRAM interface takes advantage of the internal burst counter in the SBSRAM. Accesses default to incrementing 4-word bursts, but random bursts and decrementing bursts are done by interrupting bursts in progress. All burst types can sustain continuous data flow.

<sup>††</sup>  $\overline{ARE}/\overline{SDCAS}/\overline{SSADS}$ ,  $\overline{AOE}/\overline{SDRAS}/\overline{SSOE}$ , and  $\overline{AWE}/\overline{SDWE}/\overline{SSWE}$  operate as  $\overline{SSADS}$ ,  $\overline{SSOE}$ , and  $\overline{SSWE}$ , respectively, during SBSRAM accesses.

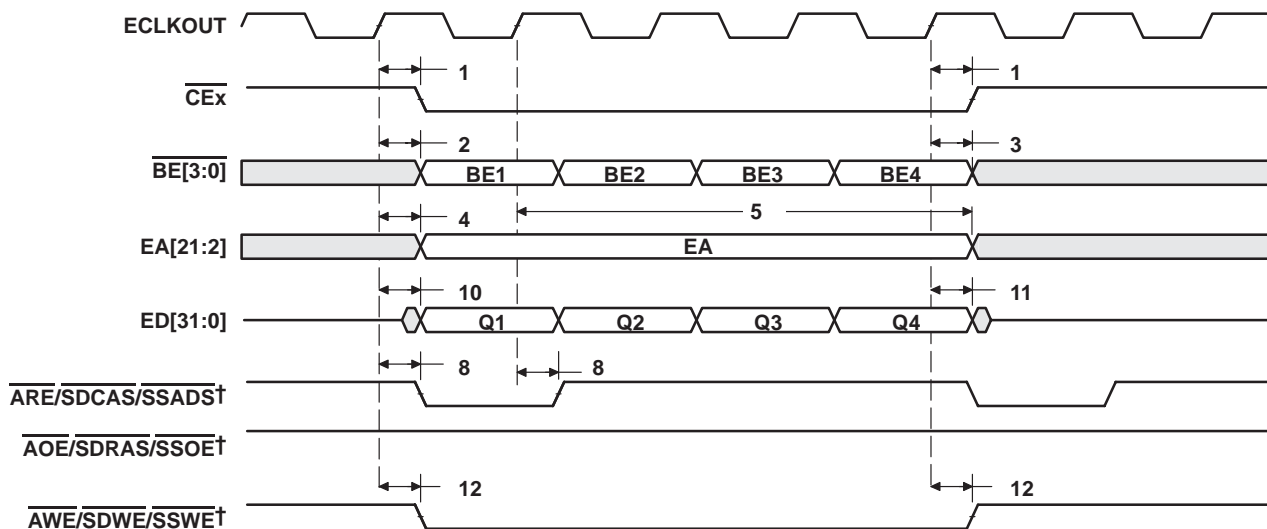


SYNCHRONOUS-BURST MEMORY TIMING (CONTINUED)



† ARE/SDCAS/SSADS, AOE/SDRAS/SSOE, and AWE/SDWE/SSWE operate as SSADS, SSOE, and SSWE, respectively, during SBSRAM accesses.

Figure 20. SBSRAM Read Timing



† ARE/SDCAS/SSADS, AOE/SDRAS/SSOE, and AWE/SDWE/SSWE operate as SSADS, SSOE, and SSWE, respectively, during SBSRAM accesses.

Figure 21. SBSRAM Write Timing

# TMS320C6211, TMS320C6211B FIXED-POINT DIGITAL SIGNAL PROCESSORS

SPRS073L – AUGUST 1998 – REVISED JUNE 2005

## SYNCHRONOUS DRAM TIMING

### timing requirements for synchronous DRAM cycles<sup>†</sup> (see Figure 22)

| NO. |                    |  | C6211–150<br>C6211–167 |     | C6211BGFNA–150 |     | C6211B–150<br>C6211B–167 |     | UNIT |
|-----|--------------------|--|------------------------|-----|----------------|-----|--------------------------|-----|------|
|     |                    |  | MIN                    | MAX | MIN            | MAX | MIN                      | MAX |      |
| 6   | $t_{su}(EDV-EKOH)$ | Setup time, read EDx valid before ECLKOUT high | 2.5                    |     | 2.5            |     | 2.5                      |     | ns   |
| 7   | $t_h(EKOH-EDV)$    | Hold time, read EDx valid after ECLKOUT high   | 1                      |     | 2.5            |     | 2                        |     | ns   |

<sup>†</sup> The C6211/C6211B SDRAM interface takes advantage of the internal burst counter in the SDRAM. Accesses default to incrementing 4-word bursts, but random bursts and decrementing bursts are done by interrupting bursts in progress. All burst types can sustain continuous data flow.

### switching characteristics over recommended operating conditions for synchronous DRAM cycles<sup>†‡</sup> (see Figure 22–Figure 28)

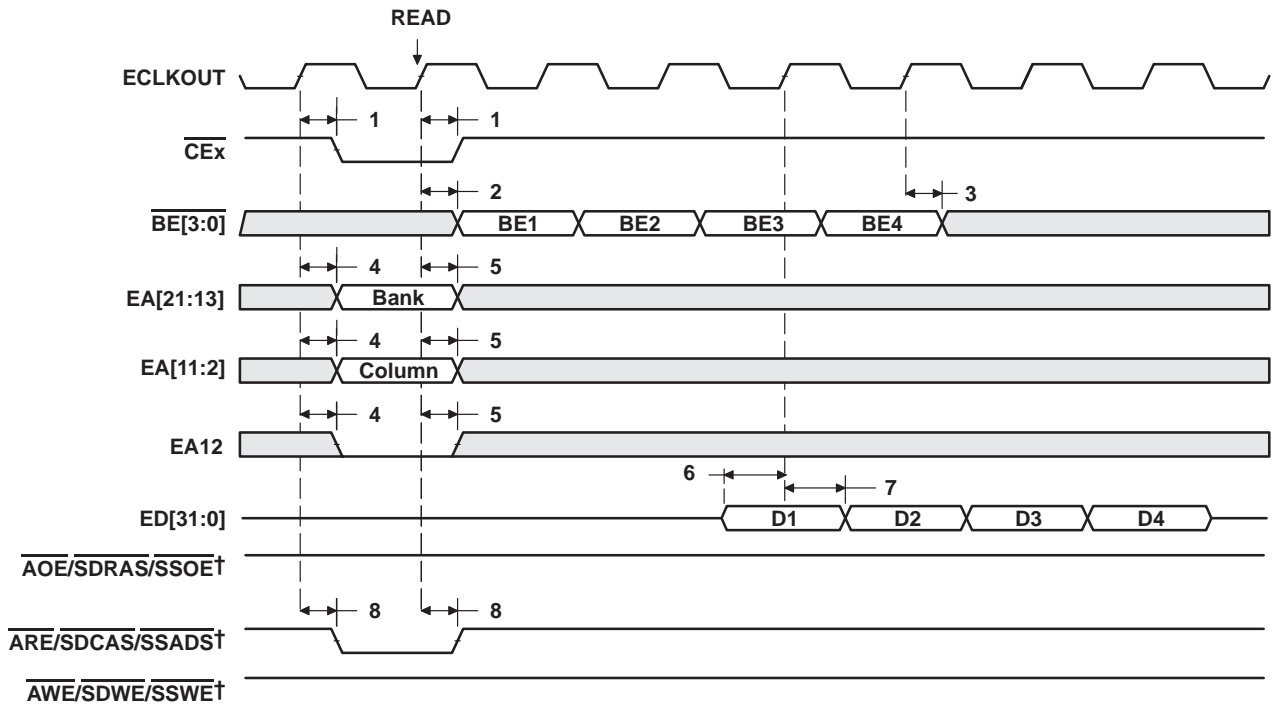
| NO. | PARAMETER        |  | C6211–150<br>C6211–167 |     | C6211BGFNA–150 |     | C6211B–150<br>C6211B–167 |     | UNIT |
|-----|------------------|--|------------------------|-----|----------------|-----|--------------------------|-----|------|
|     |                  |  | MIN                    | MAX | MIN            | MAX | MIN                      | MAX |      |
| 1   | $t_d(EKOH-CEV)$  | Delay time, ECLKOUT high to $\overline{CEx}$ valid   | 1.5                    | 6.5 | 1              | 6.5 | 1.2                      | 6.5 | ns   |
| 2   | $t_d(EKOH-BEV)$  | Delay time, ECLKOUT high to $\overline{BEx}$ valid   |                        | 6.5 |                | 6.5 |                          | 6.5 | ns   |
| 3   | $t_d(EKOH-BEIV)$ | Delay time, ECLKOUT high to $\overline{BEx}$ invalid | 1.5                    |     | 1              |     | 1.2                      |     | ns   |
| 4   | $t_d(EKOH-EAV)$  | Delay time, ECLKOUT high to EAx valid                |                        | 6.5 |                | 6.5 |                          | 6.5 | ns   |
| 5   | $t_d(EKOH-EAIV)$ | Delay time, ECLKOUT high to EAx invalid              | 1.5                    |     | 1              |     | 1.2                      |     | ns   |
| 8   | $t_d(EKOH-CASV)$ | Delay time, ECLKOUT high to ARE/SDCAS/SSADS valid    | 1.5                    | 6.5 | 1              | 6.5 | 1.2                      | 6.5 | ns   |
| 9   | $t_d(EKOH-EDV)$  | Delay time, ECLKOUT high to $\overline{EDx}$ valid   |                        | 7   |                | 7   |                          | 7   | ns   |
| 10  | $t_d(EKOH-EDIV)$ | Delay time, ECLKOUT high to $\overline{EDx}$ invalid | 1.5                    |     | 1              |     | 1.2                      |     | ns   |
| 11  | $t_d(EKOH-WEV)$  | Delay time, ECLKOUT high to AWE/SDWE/SSWE valid      | 1.5                    | 6.5 | 1              | 6.5 | 1.2                      | 6.5 | ns   |
| 12  | $t_d(EKOH-RAS)$  | Delay time, ECLKOUT high to AOE/SDRAS/SSOE valid     | 1.5                    | 6.5 | 1              | 6.5 | 1.2                      | 6.5 | ns   |

<sup>†</sup> The C6211/C6211B SDRAM interface takes advantage of the internal burst counter in the SDRAM. Accesses default to incrementing 4-word bursts, but random bursts and decrementing bursts are done by interrupting bursts in progress. All burst types can sustain continuous data flow.

<sup>‡</sup> ARE/SDCAS/SSADS, AWE/SDWE/SSWE, and AOE/SDRAS/SSOE operate as SDCAS, SDWE, and SDRAS, respectively, during SDRAM accesses.



SYNCHRONOUS DRAM TIMING (CONTINUED)



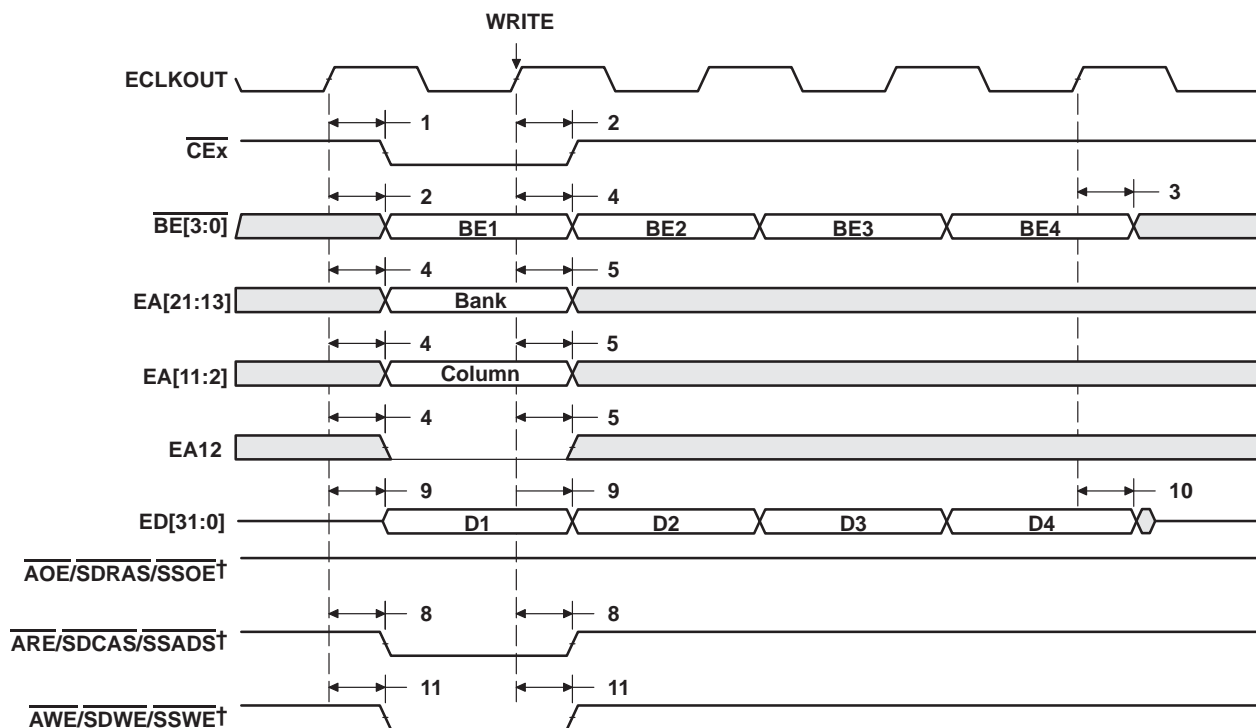
†  $\overline{\text{ARE/SDCAS/SSADS}}$ ,  $\overline{\text{AWE/SDWE/SSWE}}$ , and  $\overline{\text{AOE/SDRAS/SSOE}}$  operate as  $\overline{\text{SDCAS}}$ ,  $\overline{\text{SDWE}}$ , and  $\overline{\text{SDRAS}}$ , respectively, during SDRAM accesses.

Figure 22. SDRAM Read Command (CAS Latency 3)

# TMS320C6211, TMS320C6211B FIXED-POINT DIGITAL SIGNAL PROCESSORS

SPRS073L – AUGUST 1998 – REVISED JUNE 2005

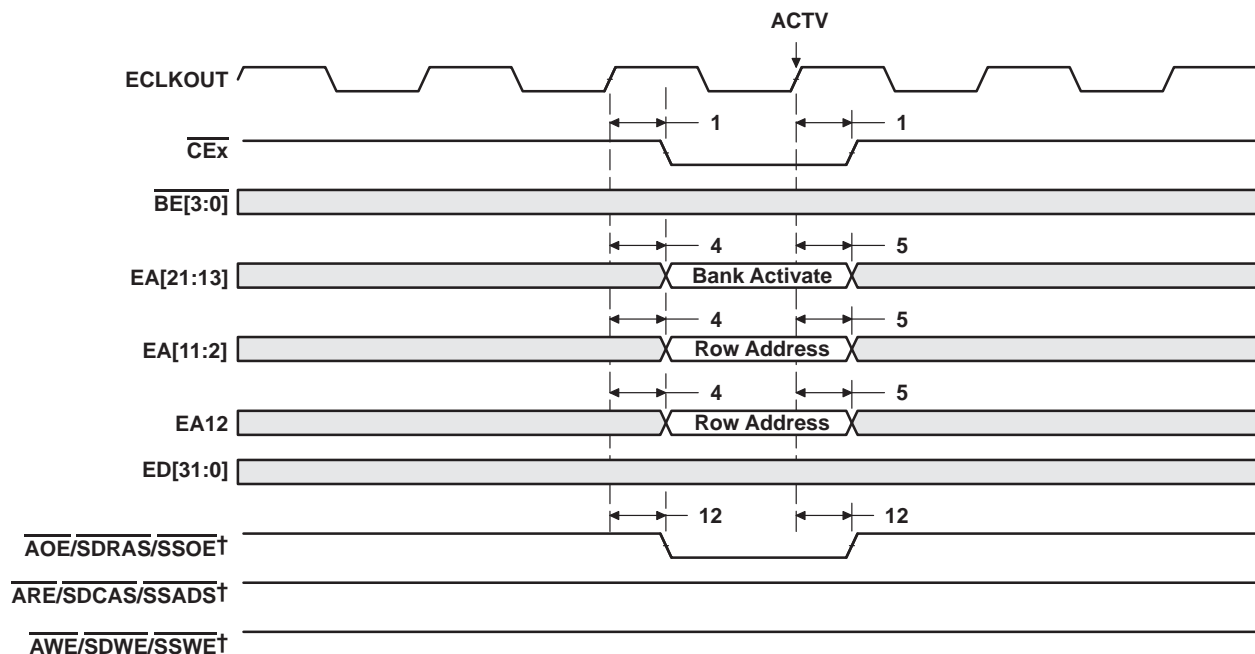
## SYNCHRONOUS DRAM TIMING (CONTINUED)



†  $\overline{\text{ARE/SDCAS/SSADS}}$ ,  $\overline{\text{AWE/SDWE/SSWE}}$ , and  $\overline{\text{AOE/SDRAS/SSOE}}$  operate as  $\overline{\text{SDCAS}}$ ,  $\overline{\text{SDWE}}$ , and  $\overline{\text{SDRAS}}$ , respectively, during SDRAM accesses.

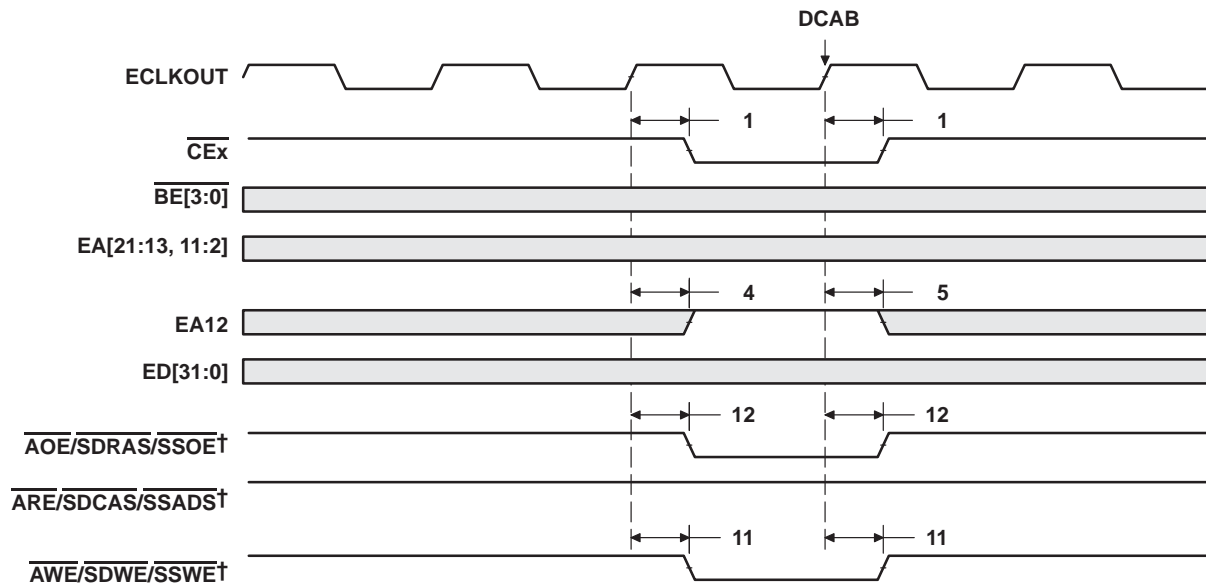
Figure 23. SDRAM Write Command

SYNCHRONOUS DRAM TIMING (CONTINUED)



† ARE/SDCAS/SSADS, AWE/SDWE/SSWE, and AOE/SDRAS/SSOE operate as SDCAS, SDWE, and SDRAS, respectively, during SDRAM accesses.

Figure 24. SDRAM ACTV Command



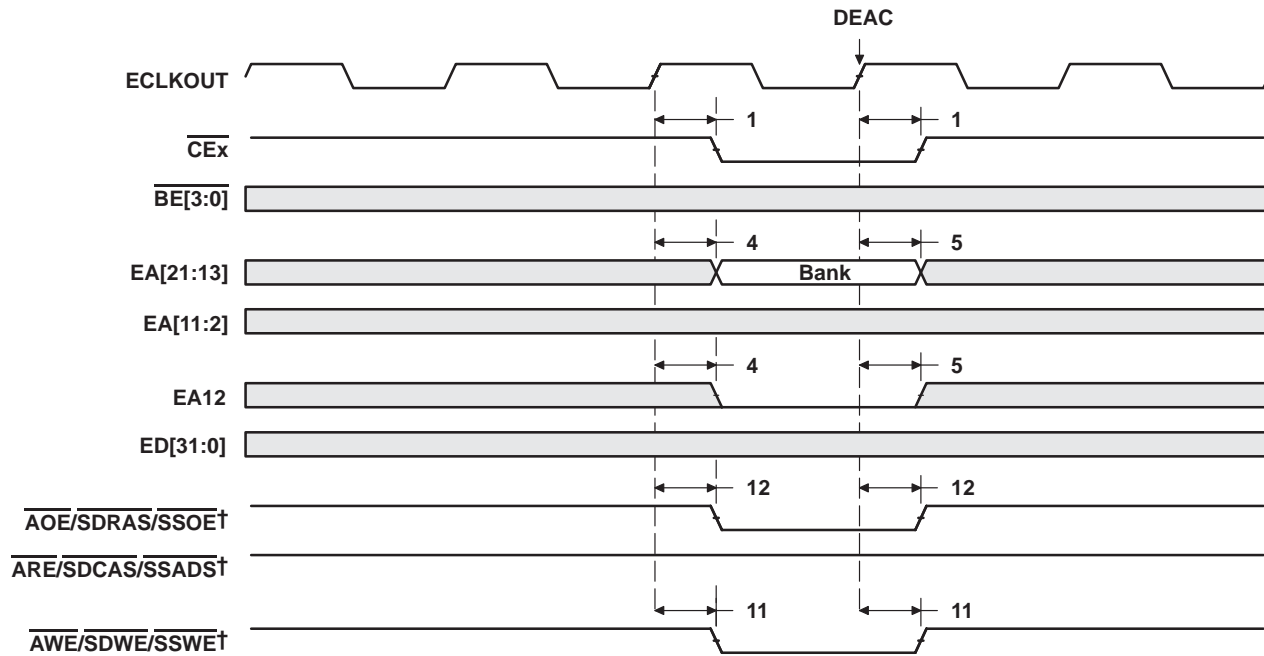
† ARE/SDCAS/SSADS, AWE/SDWE/SSWE, and AOE/SDRAS/SSOE operate as SDCAS, SDWE, and SDRAS, respectively, during SDRAM accesses.

Figure 25. SDRAM DCAB Command

# TMS320C6211, TMS320C6211B FIXED-POINT DIGITAL SIGNAL PROCESSORS

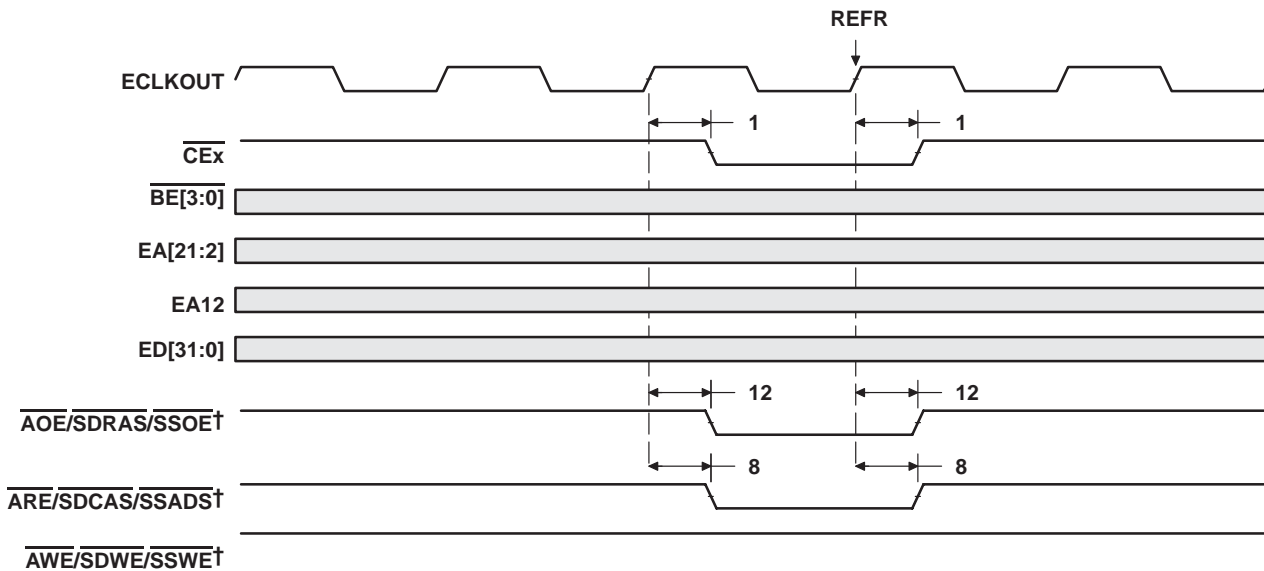
SPRS073L – AUGUST 1998 – REVISED JUNE 2005

## SYNCHRONOUS DRAM TIMING (CONTINUED)



† ARE/SDCAS/SSADS, AWE/SDWE/SSWE, and AOE/SDRAS/SSOE operate as SDCAS, SDWE, and SDRAS, respectively, during SDRAM accesses.

Figure 26. SDRAM DEAC Command

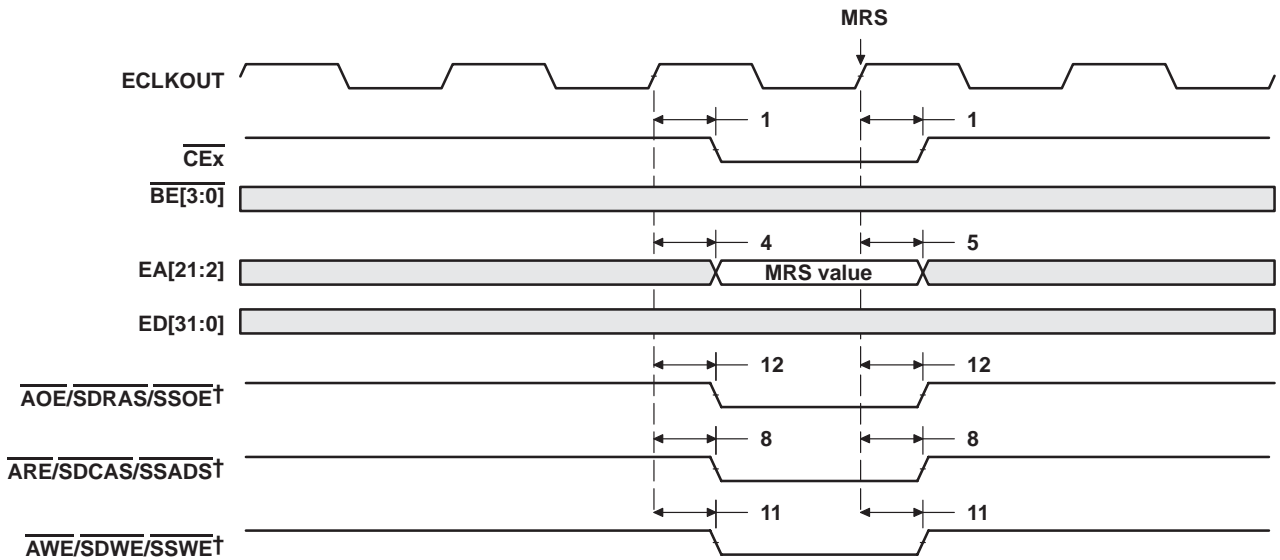


† ARE/SDCAS/SSADS, AWE/SDWE/SSWE, and AOE/SDRAS/SSOE operate as SDCAS, SDWE, and SDRAS, respectively, during SDRAM accesses.

Figure 27. SDRAM REFR Command



SYNCHRONOUS DRAM TIMING (CONTINUED)



† ARE/SDCAS/SSADS, AWE/SDWE/SSWE, and AOE/SDRAS/SSOE operate as SDCAS, SDWE, and SDRAS, respectively, during SDRAM accesses.

Figure 28. SDRAM MRS Command

# TMS320C6211, TMS320C6211B FIXED-POINT DIGITAL SIGNAL PROCESSORS

SPRS073L – AUGUST 1998 – REVISED JUNE 2005

## HOLD/HOLDA TIMING

timing requirements for the  $\overline{\text{HOLD}}/\overline{\text{HOLDA}}$  cycles<sup>†</sup> (see Figure 29)

| NO. |   | -150<br>-167 |     | UNIT |
|-----|---|--------------|-----|------|
|     |   | MIN          | MAX |      |
| 3   | $t_{ch}(\overline{\text{HOLDAL}}-\overline{\text{HOLDL}})$ Output hold time, $\overline{\text{HOLD}}$ low after $\overline{\text{HOLDA}}$ low | E            |     | ns   |

<sup>†</sup> E = ECLKIN period in ns

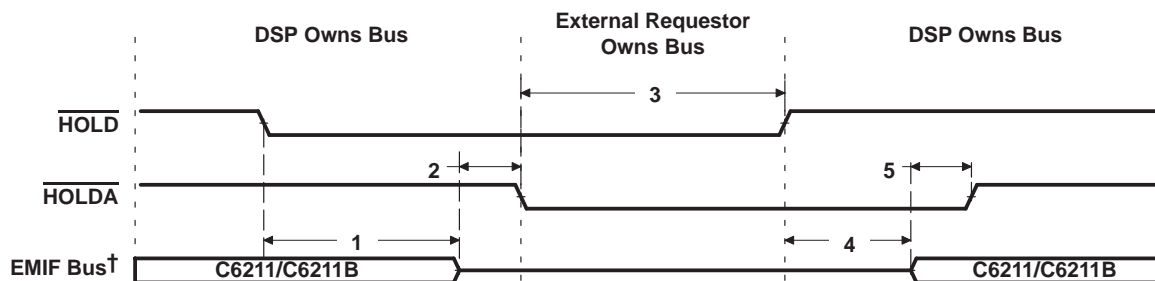
switching characteristics over recommended operating conditions for the  $\overline{\text{HOLD}}/\overline{\text{HOLDA}}$  cycles<sup>†‡</sup> (see Figure 29)

| NO. | PARAMETER   | -150<br>-167 |     | UNIT |
|-----|---|--------------|-----|------|
|     |   | MIN          | MAX |      |
| 1   | $t_d(\overline{\text{HOLDL}}-\overline{\text{EMHZ}})$ Delay time, $\overline{\text{HOLD}}$ low to EMIF Bus high impedance   | 2E           | §   | ns   |
| 2   | $t_d(\overline{\text{EMHZ}}-\overline{\text{HOLDAL}})$ Delay time, EMIF Bus high impedance to $\overline{\text{HOLDA}}$ low | 0            | 2E  | ns   |
| 4   | $t_d(\overline{\text{HOLDH}}-\overline{\text{EMLZ}})$ Delay time, $\overline{\text{HOLD}}$ high to EMIF Bus low impedance   | 2E           | 7E  | ns   |
| 5   | $t_d(\overline{\text{EMLZ}}-\overline{\text{HOLDAH}})$ Delay time, EMIF Bus low impedance to $\overline{\text{HOLDA}}$ high | 0            | 2E  | ns   |

<sup>†</sup> E = ECLKIN period in ns

<sup>‡</sup> EMIF Bus consists of  $\overline{\text{CE}}[3:0]$ ,  $\overline{\text{BE}}[3:0]$ ,  $\overline{\text{ED}}[31:0]$ ,  $\overline{\text{EA}}[21:2]$ ,  $\overline{\text{ARE}}/\overline{\text{SDCAS}}/\overline{\text{SSADS}}$ ,  $\overline{\text{AOE}}/\overline{\text{SDRAS}}/\overline{\text{SSOE}}$ , and  $\overline{\text{AWE}}/\overline{\text{SDWE}}/\overline{\text{SSWE}}$ .

<sup>§</sup> All pending EMIF transactions are allowed to complete before  $\overline{\text{HOLDA}}$  is asserted. If no bus transactions are occurring, then the minimum delay time can be achieved. Also, bus hold can be indefinitely delayed by setting  $\text{NOHOLD} = 1$ .



<sup>†</sup> EMIF Bus consists of  $\overline{\text{CE}}[3:0]$ ,  $\overline{\text{BE}}[3:0]$ ,  $\overline{\text{ED}}[31:0]$ ,  $\overline{\text{EA}}[21:2]$ ,  $\overline{\text{ARE}}/\overline{\text{SDCAS}}/\overline{\text{SSADS}}$ ,  $\overline{\text{AOE}}/\overline{\text{SDRAS}}/\overline{\text{SSOE}}$ , and  $\overline{\text{AWE}}/\overline{\text{SDWE}}/\overline{\text{SSWE}}$ .

Figure 29.  $\overline{\text{HOLD}}/\overline{\text{HOLDA}}$  Timing

**BUSREQ TIMING**

switching characteristics over recommended operating conditions for the BUSREQ cycles  
 (see Figure 30)

| NO. | PARAMETER  | -150<br>-167 |     | UNIT |
|-----|--|--------------|-----|------|
|     |  | MIN          | MAX |      |
| 1   | $t_{d(EKOH-BUSRV)}$ Delay time, ECLKOUT high to BUSREQ valid | 1.5          | 11  | ns   |

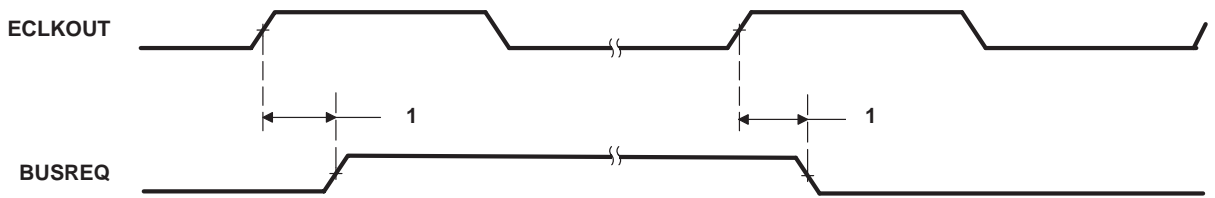


Figure 30. BUSREQ Timing

# TMS320C6211, TMS320C6211B FIXED-POINT DIGITAL SIGNAL PROCESSORS

SPRS073L – AUGUST 1998 – REVISED JUNE 2005

## RESET TIMING

timing requirements for reset<sup>†</sup> (see Figure 31)

| NO. |                      |   | -150<br>-167 |     | UNIT |
|-----|----------------------|---|--------------|-----|------|
|     |                      |   | MIN          | MAX |      |
| 1   | t <sub>w</sub> (RST) | Width of the $\overline{\text{RESET}}$ pulse (PLL stable) <sup>‡</sup>                          | 10P          |     | ns   |
|     |                      | Width of the $\overline{\text{RESET}}$ pulse (PLL needs to sync up) <sup>§</sup>                | 250          |     | μs   |
| 14  | t <sub>su</sub> (HD) | Setup time, HD boot configuration bits valid before $\overline{\text{RESET}}$ high <sup>¶</sup> | 2P           |     | ns   |
| 15  | t <sub>h</sub> (HD)  | Hold time, HD boot configuration bits valid after $\overline{\text{RESET}}$ high <sup>¶</sup>   | 2P           |     | ns   |

<sup>†</sup> P = 1/CPU clock frequency in ns. For example, when running parts at 167 MHz, use P = 6 ns.

<sup>‡</sup> This parameter applies to CLKMODE x1 when CLKIN is stable, and applies to CLKMODE x4 when CLKIN and PLL are stable.

<sup>§</sup> This parameter applies to CLKMODE x4 only (it does not apply to CLKMODE x1). The  $\overline{\text{RESET}}$  signal is not connected internally to the clock PLL circuit. The PLL, however, may need up to 250 μs to stabilize following device power up or after PLL configuration has been changed. During that time,  $\overline{\text{RESET}}$  must be asserted to ensure proper device operation. See the *clock PLL* section for PLL lock times.

<sup>¶</sup> HD[4:3] are the boot configuration pins during device reset.

switching characteristics over recommended operating conditions during reset<sup>†#||</sup> (see Figure 31)

| NO. | PARAMETER   | -150<br>-167 |         | UNIT |
|-----|---|--------------|---------|------|
|     |   | MIN          | MAX     |      |
| 2   | t <sub>d</sub> (RSTL-ECKI) Delay time, $\overline{\text{RESET}}$ low to ECLKIN synchronized internally  | 2P + 3E      | 3P + 4E | ns   |
| 3   | t <sub>d</sub> (RSTH-ECKI) Delay time, $\overline{\text{RESET}}$ high to ECLKIN synchronized internally | 2P + 3E      | 3P + 4E | ns   |
| 4   | t <sub>d</sub> (RSTL-EMIFZHZ) Delay time, $\overline{\text{RESET}}$ low to EMIF Z group high impedance  | 2P + 3E      |         | ns   |
| 5   | t <sub>d</sub> (RSTH-EMIFZV) Delay time, $\overline{\text{RESET}}$ high to EMIF Z group valid           |              | 3P + 4E | ns   |
| 6   | t <sub>d</sub> (RSTL-EMIFHIV) Delay time, $\overline{\text{RESET}}$ low to EMIF high group invalid      | 2P + 3E      |         | ns   |
| 7   | t <sub>d</sub> (RSTH-EMIFHV) Delay time, $\overline{\text{RESET}}$ high to EMIF high group valid        |              | 3P + 4E | ns   |
| 8   | t <sub>d</sub> (RSTL-EMIFLIV) Delay time, $\overline{\text{RESET}}$ low to EMIF low group invalid       | 2P + 3E      |         | ns   |
| 9   | t <sub>d</sub> (RSTH-EMIFLV) Delay time, $\overline{\text{RESET}}$ high to EMIF low group valid         |              | 3P + 4E | ns   |
| 10  | t <sub>d</sub> (RSTL-HIGHIV) Delay time, $\overline{\text{RESET}}$ low to high group invalid            | 2P           |         | ns   |
| 11  | t <sub>d</sub> (RSTH-HIGHV) Delay time, $\overline{\text{RESET}}$ high to high group valid              |              | 4P      | ns   |
| 12  | t <sub>d</sub> (RSTL-ZHZ) Delay time, $\overline{\text{RESET}}$ low to Z group high impedance           | 2P           |         | ns   |
| 13  | t <sub>d</sub> (RSTH-ZV) Delay time, $\overline{\text{RESET}}$ high to Z group valid                    | 2P           |         | ns   |

<sup>†</sup> P = 1/CPU clock frequency in ns. For example, when running parts at 167 MHz, use P = 6 ns.

<sup>#</sup> E = ECLKIN period in ns

<sup>||</sup> EMIF Z group consists of: EA[21:2], ED[31:0], CE[3:0], BE[3:0], ARE/SDCAS/SSADS, AWE/SDWE/SSWE, and AOE/SDRAS/SSOE

EMIF high group consists of: HOLDA

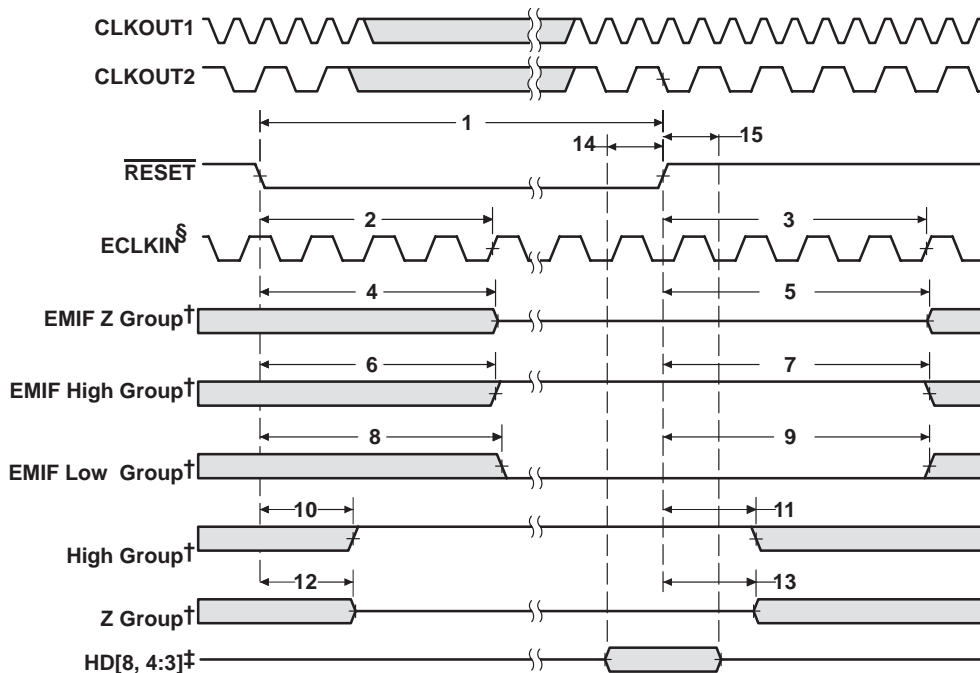
EMIF low group consists of: BUSREQ

High group consists of: HRDY and HINT

Z group consists of: HD[15:0], CLKX0, CLKX1, FSX0, FSX1, DX0, DX1, CLKR0, CLKR1, FSR0, FSR1, TOUT0, and TOUT1.



RESET TIMING (CONTINUED)



§ ECLKIN should be provided during reset in order to drive EMIF signals to the correct reset values. ECLKOUT continues to clock as long as ECLKIN is provided.

† EMIF Z group consists of:  $\overline{EA}[21:2]$ ,  $\overline{ED}[31:0]$ ,  $\overline{CE}[3:0]$ ,  $\overline{BE}[3:0]$ ,  $\overline{ARE}/\overline{SDCAS}/\overline{SSADS}$ ,  $\overline{AWE}/\overline{SDWE}/\overline{SSWE}$ , and  $\overline{AOE}/\overline{SDRAS}/\overline{SSOE}$

EMIF high group consists of:  $\overline{HOLDA}$

EMIF low group consists of:  $\overline{BUSREQ}$

High group consists of:  $\overline{HRDY}$  and  $\overline{HINT}$

Z group consists of:  $\overline{HD}[15:0]$ ,  $\overline{CLKX0}$ ,  $\overline{CLKX1}$ ,  $\overline{FSX0}$ ,  $\overline{FSX1}$ ,  $\overline{DX0}$ ,  $\overline{DX1}$ ,  $\overline{CLKR0}$ ,  $\overline{CLKR1}$ ,  $\overline{FSR0}$ ,  $\overline{FSR1}$ ,  $\overline{TOUT0}$ , and  $\overline{TOUT1}$ .

‡  $\overline{HD}[8, 4:3]$  are the endianness and boot configuration pins during device reset.

Figure 31. Reset Timing

# TMS320C6211, TMS320C6211B FIXED-POINT DIGITAL SIGNAL PROCESSORS

SPRS073L – AUGUST 1998 – REVISED JUNE 2005

## EXTERNAL INTERRUPT TIMING

timing requirements for external interrupts<sup>†</sup> (see Figure 32)

| NO. |   | -150<br>-167 |     | UNIT |
|-----|---|--------------|-----|------|
|     |   | MIN          | MAX |      |
| 1   | $t_w(\text{ILOW})$ Width of the interrupt pulse low   | 2P           |     | ns   |
| 2   | $t_w(\text{IHIGH})$ Width of the interrupt pulse high | 2P           |     | ns   |

<sup>†</sup> P = 1/CPU clock frequency in ns. For example, when running parts at 167 MHz, use P = 6 ns.

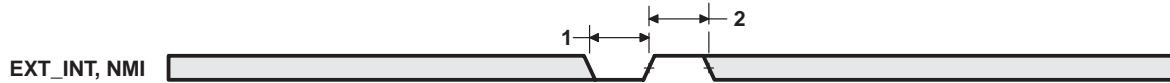


Figure 32. External/NMI Interrupt Timing

## HOST-PORT INTERFACE TIMING

timing requirements for host-port interface cycles [C6211]<sup>†‡</sup> (see Figure 33, Figure 34, Figure 35, and Figure 36)

| NO. |                             |  | C6211–150<br>C6211–167 |     | UNIT |
|-----|-----------------------------|--|------------------------|-----|------|
|     |                             |  | MIN                    | MAX |      |
| 1   | $t_{su}(\text{SELV-HSTBL})$ | Setup time, select signals <sup>§</sup> valid before $\overline{\text{HSTROBE}}$ low   | 5                      |     | ns   |
| 2   | $t_h(\text{HSTBL-SELV})$    | Hold time, select signals <sup>§</sup> valid after $\overline{\text{HSTROBE}}$ low   | 4                      |     | ns   |
| 3   | $t_w(\text{HSTBL})$         | Pulse duration, $\overline{\text{HSTROBE}}$ low  | 4P                     |     | ns   |
| 4   | $t_w(\text{HSTBH})$         | Pulse duration, $\overline{\text{HSTROBE}}$ high between consecutive accesses  | 4P                     |     | ns   |
| 10  | $t_{su}(\text{SELV-HASL})$  | Setup time, select signals <sup>§</sup> valid before $\overline{\text{HAS}}$ low   | 5                      |     | ns   |
| 11  | $t_h(\text{HASL-SELV})$     | Hold time, select signals <sup>§</sup> valid after $\overline{\text{HAS}}$ low   | 3                      |     | ns   |
| 12  | $t_{su}(\text{HDV-HSTBH})$  | Setup time, host data valid before $\overline{\text{HSTROBE}}$ high  | 5                      |     | ns   |
| 13  | $t_h(\text{HSTBH-HDV})$     | Hold time, host data valid after $\overline{\text{HSTROBE}}$ high  | 3                      |     | ns   |
| 14  | $t_h(\text{HRDYL-HSTBL})$   | Hold time, $\overline{\text{HSTROBE}}$ low after $\overline{\text{HRDY}}$ low. $\overline{\text{HSTROBE}}$ should not be inactivated until $\overline{\text{HRDY}}$ is active (low); otherwise, HPI writes will not complete properly. | 2                      |     | ns   |
| 18  | $t_{su}(\text{HASL-HSTBL})$ | Setup time, $\overline{\text{HAS}}$ low before $\overline{\text{HSTROBE}}$ low   | 2                      |     | ns   |
| 19  | $t_h(\text{HSTBL-HASL})$    | Hold time, $\overline{\text{HAS}}$ low after $\overline{\text{HSTROBE}}$ low   | 2                      |     | ns   |

<sup>†</sup>  $\overline{\text{HSTROBE}}$  refers to the following logical operation on  $\overline{\text{HCS}}$ ,  $\overline{\text{HDS1}}$ , and  $\overline{\text{HDS2}}$ :  $[\text{NOT}(\overline{\text{HDS1}} \text{ XOR } \overline{\text{HDS2}})] \text{ OR } \overline{\text{HCS}}$ .

<sup>‡</sup>  $P = 1/\text{CPU clock frequency}$  in ns. For example, when running parts at 167 MHz, use  $P = 6$  ns.

<sup>§</sup> Select signals include:  $\text{HCNTL}[1:0]$ ,  $\overline{\text{HR/W}}$ , and  $\overline{\text{HHWIL}}$ .

switching characteristics over recommended operating conditions during host-port interface cycles [C6211]<sup>†‡</sup> (see Figure 33, Figure 34, Figure 35, and Figure 36)

| NO. | PARAMETER                  | C6211–150<br>C6211–167  |        | UNIT |    |
|-----|----------------------------|---|--------|------|----|
|     |                            | MIN   | MAX    |      |    |
| 5   | $t_d(\text{HCS-HRDY})$     | Delay time, $\overline{\text{HCS}}$ to $\overline{\text{HRDY}}$ <sup>¶</sup>                | 1      | 15   | ns |
| 6   | $t_d(\text{HSTBL-HRDYH})$  | Delay time, $\overline{\text{HSTROBE}}$ low to $\overline{\text{HRDY}}$ high <sup>#</sup>   | 3      | 15   | ns |
| 7   | $t_d(\text{HSTBL-HDLZ})$   | Delay time, $\overline{\text{HSTROBE}}$ low to HD low impedance for an HPI read             | 2      |      | ns |
| 8   | $t_d(\text{HDV-HRDYL})$    | Delay time, HD valid to $\overline{\text{HRDY}}$ low  | 2P – 4 | 2P   | ns |
| 9   | $t_{oh}(\text{HSTBH-HDV})$ | Output hold time, HD valid after $\overline{\text{HSTROBE}}$ high                           | 3      | 15   | ns |
| 15  | $t_d(\text{HSTBH-HDHZ})$   | Delay time, $\overline{\text{HSTROBE}}$ high to HD high impedance                           | 3      | 15   | ns |
| 16  | $t_d(\text{HSTBL-HDV})$    | Delay time, $\overline{\text{HSTROBE}}$ low to HD valid                                     | 3      | 15   | ns |
| 17  | $t_d(\text{HSTBH-HRDYH})$  | Delay time, $\overline{\text{HSTROBE}}$ high to $\overline{\text{HRDY}}$ high <sup>  </sup> | 3      | 15   | ns |
| 20  | $t_d(\text{HASL-HRDYH})$   | Delay time, $\overline{\text{HAS}}$ low to $\overline{\text{HRDY}}$ high                    | 3      | 15   | ns |

<sup>†</sup>  $\overline{\text{HSTROBE}}$  refers to the following logical operation on  $\overline{\text{HCS}}$ ,  $\overline{\text{HDS1}}$ , and  $\overline{\text{HDS2}}$ :  $[\text{NOT}(\overline{\text{HDS1}} \text{ XOR } \overline{\text{HDS2}})] \text{ OR } \overline{\text{HCS}}$ .

<sup>‡</sup>  $P = 1/\text{CPU clock frequency}$  in ns. For example, when running parts at 167 MHz, use  $P = 6$  ns.

<sup>¶</sup>  $\overline{\text{HCS}}$  enables  $\overline{\text{HRDY}}$ , and  $\overline{\text{HRDY}}$  is always low when  $\overline{\text{HCS}}$  is high. The case where  $\overline{\text{HRDY}}$  goes high when  $\overline{\text{HCS}}$  falls indicates that HPI is busy completing a previous HPID write or READ with autoincrement.

<sup>#</sup> This parameter is used during an HPID read. At the beginning of the first half-word transfer on the falling edge of  $\overline{\text{HSTROBE}}$ , the HPI sends the request to the EDMA internal address generation hardware, and  $\overline{\text{HRDY}}$  remains high until the EDMA internal address generation hardware loads the requested data into HPID.

<sup>||</sup> This parameter is used after the second half-word of an HPID write or autoincrement read.  $\overline{\text{HRDY}}$  remains low if the access is not an HPID write or autoincrement read. Reading or writing to HPIC or HPIA does not affect the  $\overline{\text{HRDY}}$  signal.

# TMS320C6211, TMS320C6211B FIXED-POINT DIGITAL SIGNAL PROCESSORS

SPRS073L – AUGUST 1998 – REVISED JUNE 2004

## HOST-PORT INTERFACE TIMING (CONTINUED)

timing requirements for host-port interface cycles [C6211BGFNA/C6211B]<sup>†‡</sup> (see Figure 33, Figure 34, Figure 35, and Figure 36)

| NO. |                      |  | C6211B-150<br>C6211B-167<br>C6211BGFNA-150 |     | UNIT |
|-----|----------------------|--|--|-----|------|
|     |                      |  | MIN  | MAX |      |
| 1   | $t_{su}(SELV-HSTBL)$ | Setup time, select signals <sup>§</sup> valid before $\overline{HSTROBE}$ low  | 5  |     | ns   |
| 2   | $t_h(HSTBL-SELV)$    | Hold time, select signals <sup>§</sup> valid after $\overline{HSTROBE}$ low  | 4  |     | ns   |
| 3   | $t_w(HSTBL)$         | Pulse duration, $\overline{HSTROBE}$ low   | 4P   |     | ns   |
| 4   | $t_w(HSTBH)$         | Pulse duration, $\overline{HSTROBE}$ high between consecutive accesses   | 4P   |     | ns   |
| 10  | $t_{su}(SELV-HASL)$  | Setup time, select signals <sup>§</sup> valid before $\overline{HAS}$ low  | 5  |     | ns   |
| 11  | $t_h(HASL-SELV)$     | Hold time, select signals <sup>§</sup> valid after $\overline{HAS}$ low  | 3  |     | ns   |
| 12  | $t_{su}(HDV-HSTBH)$  | Setup time, host data valid before $\overline{HSTROBE}$ high   | 5  |     | ns   |
| 13  | $t_h(HSTBH-HDV)$     | Hold time, host data valid after $\overline{HSTROBE}$ high   | 3  |     | ns   |
| 14  | $t_h(HRDYL-HSTBL)$   | Hold time, $\overline{HSTROBE}$ low after $\overline{HRDY}$ low. $\overline{HSTROBE}$ should not be inactivated until $\overline{HRDY}$ is active (low); otherwise, HPI writes will not complete properly. | 2  |     | ns   |
| 18  | $t_{su}(HASL-HSTBL)$ | Setup time, $\overline{HAS}$ low before $\overline{HSTROBE}$ low   | 2  |     | ns   |
| 19  | $t_h(HSTBL-HASL)$    | Hold time, $\overline{HAS}$ low after $\overline{HSTROBE}$ low   | 2  |     | ns   |

<sup>†</sup>  $\overline{HSTROBE}$  refers to the following logical operation on  $\overline{HCS}$ ,  $\overline{HDS1}$ , and  $\overline{HDS2}$ :  $[\text{NOT}(\overline{HDS1} \text{ XOR } \overline{HDS2})] \text{ OR } \overline{HCS}$ .

<sup>‡</sup> P = 1/CPU clock frequency in ns. For example, when running parts at 167 MHz, use P = 6 ns.

<sup>§</sup> Select signals include:  $\overline{HCNTL}[1:0]$ ,  $\overline{HR}/\overline{W}$ , and  $\overline{HHWIL}$ .

switching characteristics over recommended operating conditions during host-port interface cycles [C6211BGFNA/C6211B]<sup>†‡</sup> (see Figure 33, Figure 34, Figure 35, and Figure 36)

| NO. | PARAMETER           | C6211BGFNA-150  |        | C6211B-150<br>C6211B-167 |        | UNIT |    |
|-----|---------------------|---|--------|--------------------------|--------|------|----|
|     |                     | MIN   | MAX    | MIN                      | MAX    |      |    |
| 5   | $t_d(HCS-HRDY)$     | Delay time, $\overline{HCS}$ to $\overline{HRDY}$ <sup>¶</sup>                | 1      | 13                       | 1      | 12   | ns |
| 6   | $t_d(HSTBL-HRDYH)$  | Delay time, $\overline{HSTROBE}$ low to $\overline{HRDY}$ high <sup>#</sup>   | 3      | 13                       | 3      | 12   | ns |
| 7   | $t_d(HSTBL-HDLZ)$   | Delay time, $\overline{HSTROBE}$ low to HD low impedance for an HPI read      | 2      |                          | 2      |      | ns |
| 8   | $t_d(HDV-HRDYL)$    | Delay time, HD valid to $\overline{HRDY}$ low                                 | 2P – 4 | 2P                       | 2P – 4 | 2P   | ns |
| 9   | $t_{oh}(HSTBH-HDV)$ | Output hold time, HD valid after $\overline{HSTROBE}$ high                    | 3      | 13                       | 3      | 12   | ns |
| 15  | $t_d(HSTBH-HDZ)$    | Delay time, $\overline{HSTROBE}$ high to HD high impedance                    | 3      | 13                       | 3      | 12   | ns |
| 16  | $t_d(HSTBL-HDV)$    | Delay time, $\overline{HSTROBE}$ low to HD valid                              | 3      | 13                       | 3      | 12   | ns |
| 17  | $t_d(HSTBH-HRDYH)$  | Delay time, $\overline{HSTROBE}$ high to $\overline{HRDY}$ high <sup>  </sup> | 3      | 13                       | 3      | 12   | ns |
| 20  | $t_d(HASL-HRDYH)$   | Delay time, $\overline{HAS}$ low to $\overline{HRDY}$ high                    | 3      | 13                       | 3      | 12   | ns |

<sup>†</sup>  $\overline{HSTROBE}$  refers to the following logical operation on  $\overline{HCS}$ ,  $\overline{HDS1}$ , and  $\overline{HDS2}$ :  $[\text{NOT}(\overline{HDS1} \text{ XOR } \overline{HDS2})] \text{ OR } \overline{HCS}$ .

<sup>‡</sup> P = 1/CPU clock frequency in ns. For example, when running parts at 167 MHz, use P = 6 ns.

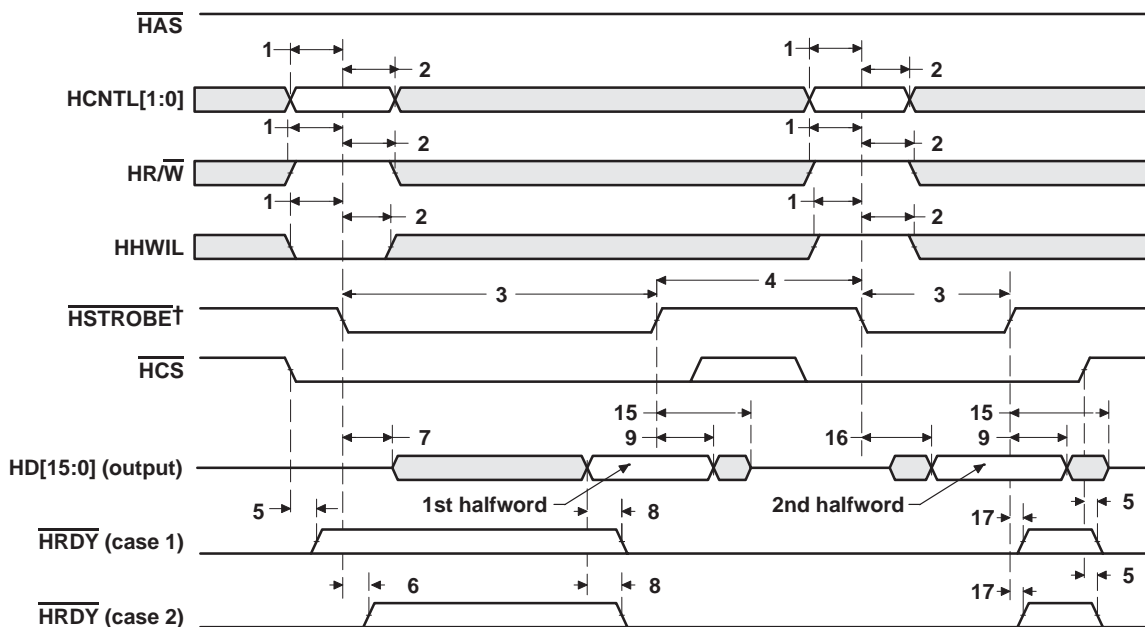
<sup>¶</sup>  $\overline{HCS}$  enables  $\overline{HRDY}$ , and  $\overline{HRDY}$  is always low when  $\overline{HCS}$  is high. The case where  $\overline{HRDY}$  goes high when  $\overline{HCS}$  falls indicates that HPI is busy completing a previous HPID write or READ with autoincrement.

<sup>#</sup> This parameter is used during an HPID read. At the beginning of the first half-word transfer on the falling edge of  $\overline{HSTROBE}$ , the HPI sends the request to the EDMA internal address generation hardware, and  $\overline{HRDY}$  remains high until the EDMA internal address generation hardware loads the requested data into HPID.

<sup>||</sup> This parameter is used after the second half-word of an HPID write or autoincrement read.  $\overline{HRDY}$  remains low if the access is not an HPID write or autoincrement read. Reading or writing to HPIC or HPIA does not affect the  $\overline{HRDY}$  signal.

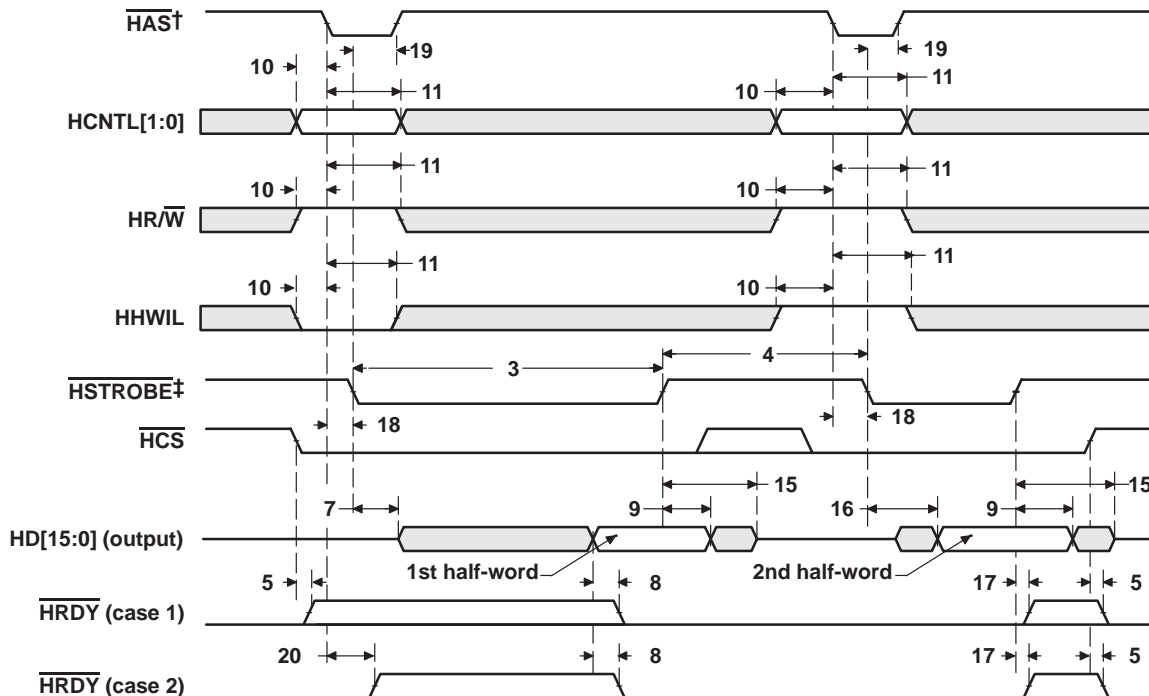


HOST-PORT INTERFACE TIMING (CONTINUED)



†  $\text{HSTROBE}$  refers to the following logical operation on  $\overline{\text{HCS}}$ ,  $\overline{\text{HDS1}}$ , and  $\overline{\text{HDS2}}$ :  $[\text{NOT}(\overline{\text{HDS1}} \text{ XOR } \overline{\text{HDS2}})] \text{ OR } \overline{\text{HCS}}$ .

Figure 33. HPI Read Timing ( $\overline{\text{HAS}}$  Not Used, Tied High)



† For correct operation, strobe the  $\overline{\text{HAS}}$  signal only once per  $\text{HSTROBE}$  active cycle.

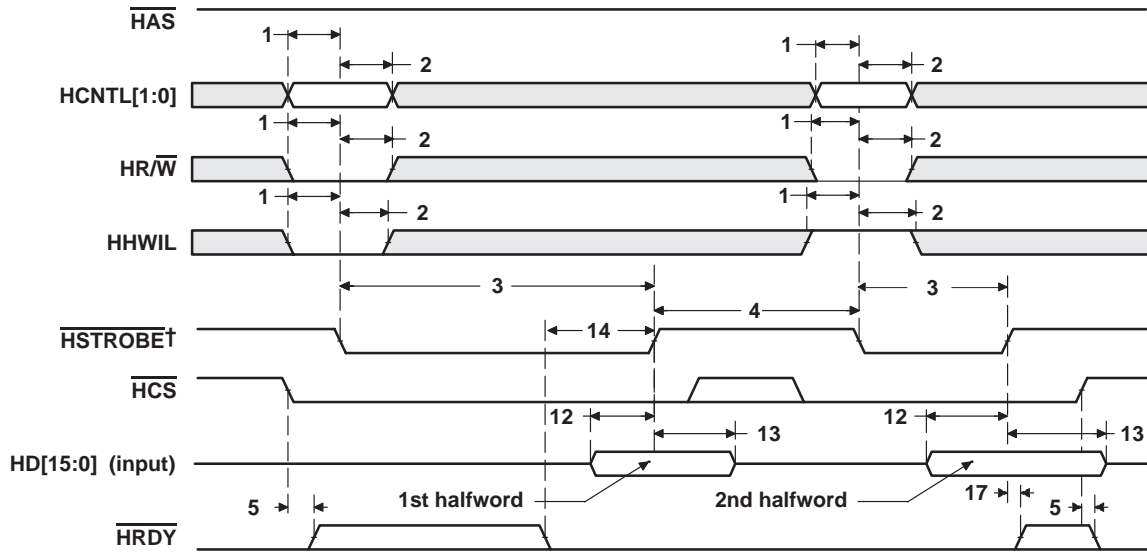
‡  $\text{HSTROBE}$  refers to the following logical operation on  $\overline{\text{HCS}}$ ,  $\overline{\text{HDS1}}$ , and  $\overline{\text{HDS2}}$ :  $[\text{NOT}(\overline{\text{HDS1}} \text{ XOR } \overline{\text{HDS2}})] \text{ OR } \overline{\text{HCS}}$ .

Figure 34. HPI Read Timing ( $\overline{\text{HAS}}$  Used)

# TMS320C6211, TMS320C6211B FIXED-POINT DIGITAL SIGNAL PROCESSORS

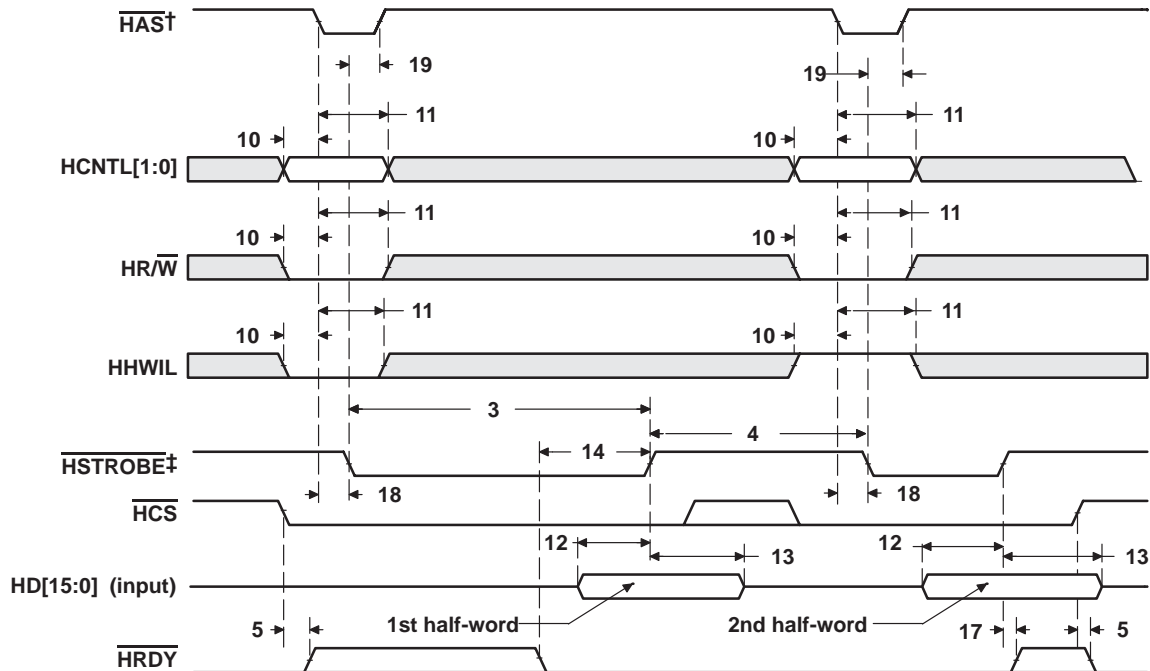
SPRS073L – AUGUST 1998 – REVISED JUNE 2004

## HOST-PORT INTERFACE TIMING (CONTINUED)



†  $\text{HSTROBE}$  refers to the following logical operation on  $\overline{\text{HCS}}$ ,  $\text{HDS1}$ , and  $\text{HDS2}$ :  $[\text{NOT}(\text{HDS1 XOR HDS2})] \text{ OR } \overline{\text{HCS}}$ .

Figure 35. HPI Write Timing ( $\overline{\text{HAS}}$  Not Used, Tied High)



† For correct operation, strobe the  $\overline{\text{HAS}}$  signal only once per  $\text{HSTROBE}$  active cycle.

‡  $\text{HSTROBE}$  refers to the following logical operation on  $\overline{\text{HCS}}$ ,  $\text{HDS1}$ , and  $\text{HDS2}$ :  $[\text{NOT}(\text{HDS1 XOR HDS2})] \text{ OR } \overline{\text{HCS}}$ .

Figure 36. HPI Write Timing ( $\overline{\text{HAS}}$  Used)

**MULTICHANNEL BUFFERED SERIAL PORT TIMING**

timing requirements for McBSP<sup>†‡</sup> (see Figure 37)

| NO. |                           |   | -150<br>-167 |                           | UNIT |
|-----|---------------------------|---|--------------|---------------------------|------|
|     |                           |   | MIN          | MAX                       |      |
| 2   | $t_c(\text{CKRX})$        | Cycle time, CLKR/X                            | CLKR/X ext   | $2P^{\S}$                 | ns   |
| 3   | $t_w(\text{CKRX})$        | Pulse duration, CLKR/X high or CLKR/X low     | CLKR/X ext   | $0.5t_c(\text{CKRX}) - 1$ | ns   |
| 5   | $t_{su}(\text{FRH-CKRL})$ | Setup time, external FSR high before CLKR low | CLKR int     | 20                        | ns   |
|     |                           |   | CLKR ext     | 1                         |      |
| 6   | $t_h(\text{CKRL-FRH})$    | Hold time, external FSR high after CLKR low   | CLKR int     | 6                         | ns   |
|     |                           |   | CLKR ext     | 3                         |      |
| 7   | $t_{su}(\text{DRV-CKRL})$ | Setup time, DR valid before CLKR low          | CLKR int     | 22                        | ns   |
|     |                           |   | CLKR ext     | 3                         |      |
| 8   | $t_h(\text{CKRL-DRV})$    | Hold time, DR valid after CLKR low            | CLKR int     | 3                         | ns   |
|     |                           |   | CLKR ext     | 4                         |      |
| 10  | $t_{su}(\text{FXH-CKXL})$ | Setup time, external FSX high before CLKX low | CLKX int     | 23                        | ns   |
|     |                           |   | CLKX ext     | 1                         |      |
| 11  | $t_h(\text{CKXL-FXH})$    | Hold time, external FSX high after CLKX low   | CLKX int     | 6                         | ns   |
|     |                           |   | CLKX ext     | 3                         |      |

<sup>†</sup> CLKRP = CLKXP = FSRP = FSXP = 0. If polarity of any of the signals is inverted, then the timing references of that signal are also inverted.

<sup>‡</sup> P = 1/CPU clock frequency in ns. For example, when running parts at 167 MHz, use P = 6 ns.

<sup>§</sup> The minimum CLKR/X period is twice the CPU cycle time (2P). This means that the maximum bit rate for communications between the McBSP and other device is 83 Mbps for 167 MHz CPU clock or 75 Mbps for 150 MHz CPU clock; where the McBSP is either the master or the slave. Care must be taken to ensure that the AC timings specified in this data sheet are met. The maximum bit rate for McBSP-to-McBSP communications is 33 Mbps; therefore, the minimum CLKR/X clock cycle is either twice the CPU cycle time (2P), or 30 ns (33 MHz), whichever value is larger. For example, when running parts at 167 MHz (P = 6 ns), use 30 ns as the minimum CLKR/X clock cycle (by setting the appropriate CLKGDV ratio or external clock source). When running parts at 60 MHz (P = 16.67 ns), use 2P = 33 ns (30 MHz) as the minimum CLKR/X clock cycle. The maximum bit rate for McBSP-to-McBSP communications applies when the serial port is a master of the clock and frame syncs (with CLKR connected to CLKX, FSR connected to FSX, CLKXM = FSXM = 1, and CLKRM = FSRM = 0) in data delay 1 or 2 mode (R/XDATDLY = 01b or 10b) and the other device the McBSP communicates to is a slave.

# TMS320C6211, TMS320C6211B FIXED-POINT DIGITAL SIGNAL PROCESSORS

SPRS073L – AUGUST 1998 – REVISED JUNE 2004

## MULTICHANNEL BUFFERED SERIAL PORT TIMING (CONTINUED)

switching characteristics over recommended operating conditions for McBSP<sup>†‡</sup> (see Figure 37)

| NO. | PARAMETER                   |  | -150<br>-167                                     |  | UNIT |
|-----|-----------------------------|--|--|--|------|
|     |                             |  | MIN  | MAX  |      |
| 1   | $t_d(\text{CKSH-CKRXH})$    | Delay time, CLKS high to CLKR/X high for internal CLKR/X generated from CLKS input         | 4  | 26   | ns   |
| 2   | $t_c(\text{CKRX})$          | Cycle time, CLKR/X   | CLKR/X int $2P^{\S}\parallel$                    |  | ns   |
| 3   | $t_w(\text{CKRX})$          | Pulse duration, CLKR/X high or CLKR/X low  | CLKR/X int C - 1 <sup>#</sup> C + 1 <sup>#</sup> |  | ns   |
| 4   | $t_d(\text{CKRH-FRV})$      | Delay time, CLKR high to internal FSR valid  | CLKR int -11 3                                   |  | ns   |
| 9   | $t_d(\text{CKXH-FXV})$      | Delay time, CLKX high to internal FSX valid  | CLKX int   | -11 3                                      | ns   |
|     |                             |  | CLKX ext   | 3 9  |      |
| 12  | $t_{dis}(\text{CKXH-DXHZ})$ | Disable time, DX high impedance following last data bit from CLKX high                     | CLKX int   | -9 4                                       | ns   |
|     |                             |  | CLKX ext   | 3 9  |      |
| 13  | $t_d(\text{CKXH-DXV})$      | Delay time, CLKX high to DX valid  | CLKX int   | -9 + D1 <sup>  </sup> 4 + D2 <sup>  </sup> | ns   |
|     |                             |  | CLKX ext   | 3 + D1 <sup>  </sup> 19 + D2 <sup>  </sup> |      |
| 14  | $t_d(\text{FXH-DXV})$       | Delay time, FSX high to DX valid<br>ONLY applies when in data delay 0 (XDATDLY = 00b) mode | FSX int  | -1 3                                       | ns   |
|     |                             |  | FSX ext  | 3 9  |      |

<sup>†</sup> CLKRP = CLKXP = FSRP = FSXP = 0. If polarity of any of the signals is inverted, then the timing references of that signal are also inverted.

<sup>‡</sup> Minimum delay times also represent minimum output hold times.

<sup>§</sup> P = 1/CPU clock frequency in ns. For example, when running parts at 167 MHz, use P = 6 ns.

<sup>¶</sup> The minimum CLKR/X period is twice the CPU cycle time (2P). This means that the maximum bit rate for communications between the McBSP and other device is 83 Mbps for 167 MHz CPU clock or 75 Mbps for 150 MHz CPU clock; where the McBSP is either the master or the slave. Care must be taken to ensure that the AC timings specified in this data sheet are met. The maximum bit rate for McBSP-to-McBSP communications is 33 Mbps; therefore, the minimum CLKR/X clock cycle is either twice the CPU cycle time (2P), or 30 ns (33 MHz), whichever value is larger. For example, when running parts at 167 MHz (P = 6 ns), use 30 ns as the minimum CLKR/X clock cycle (by setting the appropriate CLKGDV ratio or external clock source). When running parts at 60 MHz (P = 16.67 ns), use 2P = 33 ns (30 MHz) as the minimum CLKR/X clock cycle. The maximum bit rate for McBSP-to-McBSP communications applies when the serial port is a master of the clock and frame syncs (with CLKR connected to CLKX, FSR connected to FSX, CLKXM = FSXM = 1, and CLKRM = FSRM = 0) in data delay 1 or 2 mode (R/XDATDLY = 01b or 10b) and the other device the McBSP communicates to is a slave.

<sup>#</sup> C = H or L

S = sample rate generator input clock = 2P if CLKSM = 1 (P = 1/CPU clock frequency)

= sample rate generator input clock = P\_clks if CLKSM = 0 (P\_clks = CLKS period)

H = CLKX high pulse width = (CLKGDV/2 + 1) \* S if CLKGDV is even

= (CLKGDV + 1)/2 \* S if CLKGDV is odd or zero

L = CLKX low pulse width = (CLKGDV/2) \* S if CLKGDV is even

= (CLKGDV + 1)/2 \* S if CLKGDV is odd or zero

CLKGDV should be set appropriately to ensure the McBSP bit rate does not exceed the maximum limit (see <sup>¶</sup> footnote above).

<sup>||</sup> Extra delay from CLKX high to DX valid applies *only* to the first data bit of a device, if and only if DXENA = 1 in SPCR.

If DXENA = 0, then D1 = D2 = 0

If DXENA = 1, then D1 = 2P, D2 = 4P



MULTICHANNEL BUFFERED SERIAL PORT TIMING (CONTINUED)

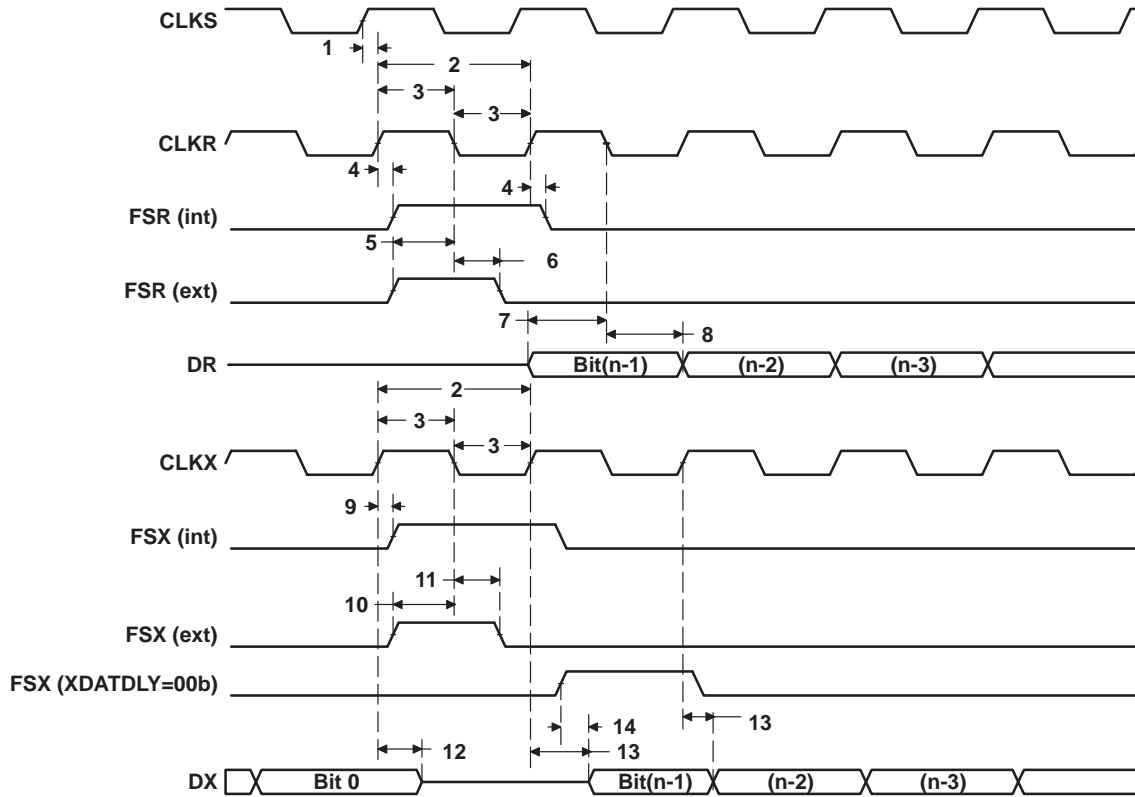


Figure 37. McBSP Timings

# TMS320C6211, TMS320C6211B FIXED-POINT DIGITAL SIGNAL PROCESSORS

SPRS073L – AUGUST 1998 – REVISED JUNE 2004

## MULTICHANNEL BUFFERED SERIAL PORT TIMING (CONTINUED)

timing requirements for FSR when GSYNC = 1 (see Figure 38)

| NO. |  | -150<br>-167 |     | UNIT |
|-----|--|--------------|-----|------|
|     |  | MIN          | MAX |      |
| 1   | $t_{su}(FRH-CKSH)$ Setup time, FSR high before CLKS high | 4            |     | ns   |
| 2   | $t_h(CKSH-FRH)$ Hold time, FSR high after CLKS high      | 4            |     | ns   |

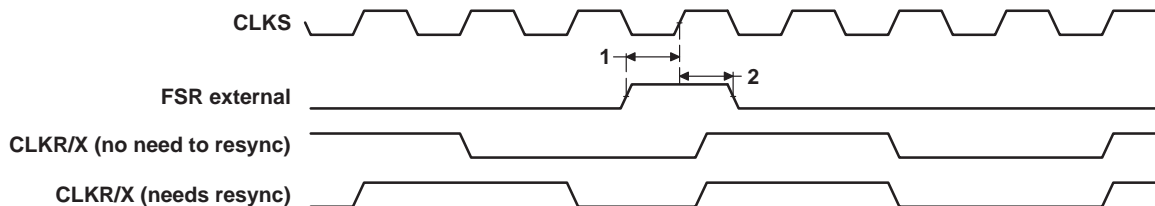


Figure 38. FSR Timing When GSYNC = 1

**MULTICHANNEL BUFFERED SERIAL PORT TIMING (CONTINUED)**

**timing requirements for McBSP as SPI master or slave: CLKSTP = 10b, CLKXP = 0†‡ (see Figure 39)**

| NO. |   | -150<br>-167 |     |         |     | UNIT |
|-----|---|--------------|-----|---------|-----|------|
|     |   | MASTER       |     | SLAVE   |     |      |
|     |   | MIN          | MAX | MIN     | MAX |      |
| 4   | t <sub>su</sub> (DRV-CKXL) Setup time, DR valid before CLKX low | 26           |     | 2 – 6P  |     | ns   |
| 5   | t <sub>h</sub> (CKXL-DRV) Hold time, DR valid after CLKX low    | 4            |     | 6 + 12P |     | ns   |

† P = 1/CPU clock frequency in ns. For example, when running parts at 167 MHz, use P = 6 ns.

‡ For all SPI slave modes, CLKG is programmed as 1/2 of the CPU clock by setting CLKSM = CLKGDV = 1.

**switching characteristics over recommended operating conditions for McBSP as SPI master or slave: CLKSTP = 10b, CLKXP = 0†‡ (see Figure 39)**

| NO. | PARAMETER  | -150<br>-167 |       |        |          | UNIT |
|-----|--|--------------|-------|--------|----------|------|
|     |  | MASTER§      |       | SLAVE  |          |      |
|     |  | MIN          | MAX   | MIN    | MAX      |      |
| 1   | t <sub>h</sub> (CKXL-FXL) Hold time, FSX low after CLKX low¶                                       | T – 9        | T + 9 |        |          | ns   |
| 2   | t <sub>d</sub> (FXL-CKXH) Delay time, FSX low to CLKX high#  | L – 9        | L + 9 |        |          | ns   |
| 3   | t <sub>d</sub> (CKXH-DXV) Delay time, CLKX high to DX valid  | –9           | 9     | 6P + 4 | 10P + 20 | ns   |
| 6   | t <sub>dis</sub> (CKXL-DXHZ) Disable time, DX high impedance following last data bit from CLKX low | L – 9        | L + 9 |        |          | ns   |
| 7   | t <sub>dis</sub> (FXH-DXHZ) Disable time, DX high impedance following last data bit from FSX high  |              |       | 2P + 3 | 6P + 20  | ns   |
| 8   | t <sub>d</sub> (FXL-DXV) Delay time, FSX low to DX valid   |              |       | 4P + 2 | 8P + 20  | ns   |

† P = 1/CPU clock frequency in ns. For example, when running parts at 167 MHz, use P = 6 ns.

‡ For all SPI slave modes, CLKG is programmed as 1/2 of the CPU clock by setting CLKSM = CLKGDV = 1.

§ S = Sample rate generator input clock = 2P if CLKSM = 1 (P = 1/CPU clock frequency)

= Sample rate generator input clock = P\_clks if CLKSM = 0 (P\_clks = CLKS period)

T = CLKX period = (1 + CLKGDV) \* S

H = CLKX high pulse width = (CLKGDV/2 + 1) \* S if CLKGDV is even  
= (CLKGDV + 1)/2 \* S if CLKGDV is odd or zero

L = CLKX low pulse width = (CLKGDV/2) \* S if CLKGDV is even  
= (CLKGDV + 1)/2 \* S if CLKGDV is odd or zero

¶ FSRP = FSXP = 1. As a SPI master, FSX is inverted to provide active-low slave-enable output. As a slave, the active-low signal input on FSX and FSR is inverted before being used internally.

CLKXM = FSXM = 1, CLKRM = FSRM = 0 for master McBSP

CLKXM = CLKRM = FSXM = FSRM = 0 for slave McBSP

# FSX should be low before the rising edge of clock to enable slave devices and then begin a SPI transfer at the rising edge of the master clock (CLKX).

# TMS320C6211, TMS320C6211B FIXED-POINT DIGITAL SIGNAL PROCESSORS

SPRS073L – AUGUST 1998 – REVISED JUNE 2004

## MULTICHANNEL BUFFERED SERIAL PORT TIMING (CONTINUED)

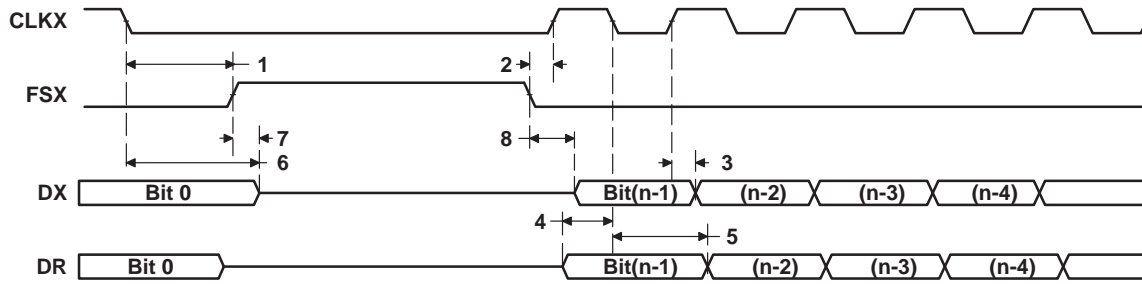


Figure 39. McBSP Timing as SPI Master or Slave: CLKSTP = 10b, CLKXP = 0

MULTICHANNEL BUFFERED SERIAL PORT TIMING (CONTINUED)

timing requirements for McBSP as SPI master or slave: CLKSTP = 11b, CLKXP = 0†‡ (see Figure 40)

| NO. |  | -150<br>-167 |     |         |     | UNIT |
|-----|--|--------------|-----|---------|-----|------|
|     |  | MASTER       |     | SLAVE   |     |      |
|     |  | MIN          | MAX | MIN     | MAX |      |
| 4   | t <sub>su</sub> (DRV-CKXH) Setup time, DR valid before CLKX high | 26           |     | 2 – 6P  | ns  |      |
| 5   | t <sub>h</sub> (CKXH-DRV) Hold time, DR valid after CLKX high    | 4            |     | 6 + 12P | ns  |      |

† P = 1/CPU clock frequency in ns. For example, when running parts at 167 MHz, use P = 6 ns.

‡ For all SPI slave modes, CLKG is programmed as 1/2 of the CPU clock by setting CLKSM = CLKGDV = 1.

switching characteristics over recommended operating conditions for McBSP as SPI master or slave: CLKSTP = 11b, CLKXP = 0†‡ (see Figure 40)

| NO. | PARAMETER  | -150<br>-167 |       |        |          | UNIT |
|-----|--|--------------|-------|--------|----------|------|
|     |  | MASTER§      |       | SLAVE  |          |      |
|     |  | MIN          | MAX   | MIN    | MAX      |      |
| 1   | t <sub>h</sub> (CKXL-FXL) Hold time, FSX low after CLKX low¶                                       | L – 9        | L + 9 |        | ns       |      |
| 2   | t <sub>d</sub> (FXL-CKXH) Delay time, FSX low to CLKX high#  | T – 9        | T + 9 |        | ns       |      |
| 3   | t <sub>d</sub> (CKXL-DXV) Delay time, CLKX low to DX valid   | –9           | 9     | 6P + 4 | 10P + 20 | ns   |
| 6   | t <sub>dis</sub> (CKXL-DXHZ) Disable time, DX high impedance following last data bit from CLKX low | –9           | 9     | 6P + 3 | 10P + 20 | ns   |
| 7   | t <sub>d</sub> (FXL-DXV) Delay time, FSX low to DX valid   | H – 9        | H + 9 | 4P + 2 | 8P + 20  | ns   |

† P = 1/CPU clock frequency in ns. For example, when running parts at 167 MHz, use P = 6 ns.

‡ For all SPI slave modes, CLKG is programmed as 1/2 of the CPU clock by setting CLKSM = CLKGDV = 1.

§ S = Sample rate generator input clock = 2P if CLKSM = 1 (P = 1/CPU clock frequency)

= Sample rate generator input clock = P\_clks if CLKSM = 0 (P\_clks = CLKS period)

T = CLKX period = (1 + CLKGDV) \* S

H = CLKX high pulse width = (CLKGDV/2 + 1) \* S if CLKGDV is even  
= (CLKGDV + 1)/2 \* S if CLKGDV is odd or zero

L = CLKX low pulse width = (CLKGDV/2) \* S if CLKGDV is even  
= (CLKGDV + 1)/2 \* S if CLKGDV is odd or zero

¶ FSRP = FSXP = 1. As a SPI master, FSX is inverted to provide active-low slave-enable output. As a slave, the active-low signal input on FSX and FSR is inverted before being used internally.

CLKXM = FSXM = 1, CLKRM = FSRM = 0 for master McBSP

CLKXM = CLKRM = FSXM = FSRM = 0 for slave McBSP

# FSX should be low before the rising edge of clock to enable slave devices and then begin a SPI transfer at the rising edge of the master clock (CLKX).

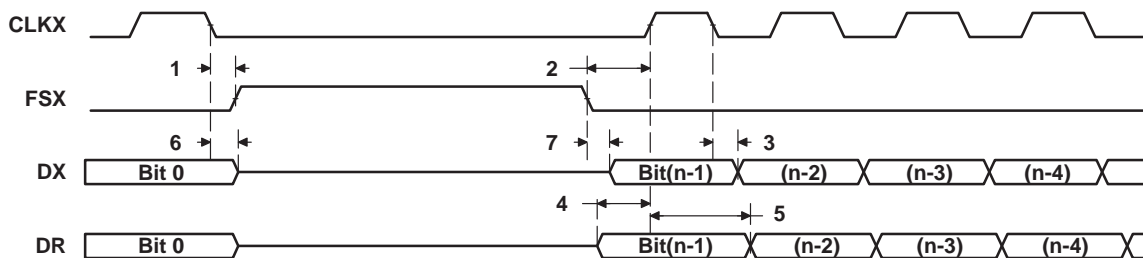


Figure 40. McBSP Timing as SPI Master or Slave: CLKSTP = 11b, CLKXP = 0

# TMS320C6211, TMS320C6211B FIXED-POINT DIGITAL SIGNAL PROCESSORS

SPRS073L – AUGUST 1998 – REVISED JUNE 2004

## MULTICHANNEL BUFFERED SERIAL PORT TIMING (CONTINUED)

timing requirements for McBSP as SPI master or slave: CLKSTP = 10b, CLKXP = 1†‡ (see Figure 41)

| NO. |  | -150<br>-167 |     |         |     | UNIT |
|-----|--|--------------|-----|---------|-----|------|
|     |  | MASTER       |     | SLAVE   |     |      |
|     |  | MIN          | MAX | MIN     | MAX |      |
| 4   | t <sub>su</sub> (DRV-CKXH) Setup time, DR valid before CLKX high | 26           |     | 2 – 6P  | ns  |      |
| 5   | t <sub>h</sub> (CKXH-DRV) Hold time, DR valid after CLKX high    | 4            |     | 6 + 12P | ns  |      |

† P = 1/CPU clock frequency in ns. For example, when running parts at 167 MHz, use P = 6 ns.

‡ For all SPI slave modes, CLKG is programmed as 1/2 of the CPU clock by setting CLKSM = CLKGDV = 1.

switching characteristics over recommended operating conditions for McBSP as SPI master or slave: CLKSTP = 10b, CLKXP = 1†‡ (see Figure 41)

| NO. | PARAMETER   | -150<br>-167 |       |                 |     | UNIT |
|-----|---|--------------|-------|-----------------|-----|------|
|     |   | MASTER§      |       | SLAVE           |     |      |
|     |   | MIN          | MAX   | MIN             | MAX |      |
| 1   | t <sub>h</sub> (CKXH-FXL) Hold time, FSX low after CLKX high¶                                       | T – 9        | T + 9 |                 | ns  |      |
| 2   | t <sub>d</sub> (FXL-CKXL) Delay time, FSX low to CLKX low#  | H – 9        | H + 9 |                 | ns  |      |
| 3   | t <sub>d</sub> (CKXL-DXV) Delay time, CLKX low to DX valid  | –9           | 9     | 6P + 4 10P + 20 | ns  |      |
| 6   | t <sub>dis</sub> (CKXH-DXHZ) Disable time, DX high impedance following last data bit from CLKX high | H – 9        | H + 9 |                 | ns  |      |
| 7   | t <sub>dis</sub> (FXH-DXHZ) Disable time, DX high impedance following last data bit from FSX high   |              |       | 2P + 3 6P + 20  | ns  |      |
| 8   | t <sub>d</sub> (FXL-DXV) Delay time, FSX low to DX valid  |              |       | 4P + 2 8P + 20  | ns  |      |

† P = 1/CPU clock frequency in ns. For example, when running parts at 167 MHz, use P = 6 ns.

‡ For all SPI slave modes, CLKG is programmed as 1/2 of the CPU clock by setting CLKSM = CLKGDV = 1.

§ S = Sample rate generator input clock = 2P if CLKSM = 1 (P = 1/CPU clock frequency)

= Sample rate generator input clock = P\_clks if CLKSM = 0 (P\_clks = CLKS period)

T = CLKX period = (1 + CLKGDV) \* S

H = CLKX high pulse width = (CLKGDV/2 + 1) \* S if CLKGDV is even

= (CLKGDV + 1)/2 \* S if CLKGDV is odd or zero

L = CLKX low pulse width = (CLKGDV/2) \* S if CLKGDV is even

= (CLKGDV + 1)/2 \* S if CLKGDV is odd or zero

¶ FSRP = FSXP = 1. As a SPI master, FSX is inverted to provide active-low slave-enable output. As a slave, the active-low signal input on FSX and FSR is inverted before being used internally.

CLKXM = FSXM = 1, CLKRM = FSRM = 0 for master McBSP

CLKXM = CLKRM = FSXM = FSRM = 0 for slave McBSP

# FSX should be low before the rising edge of clock to enable slave devices and then begin a SPI transfer at the rising edge of the master clock (CLKX).



MULTICHANNEL BUFFERED SERIAL PORT TIMING (CONTINUED)

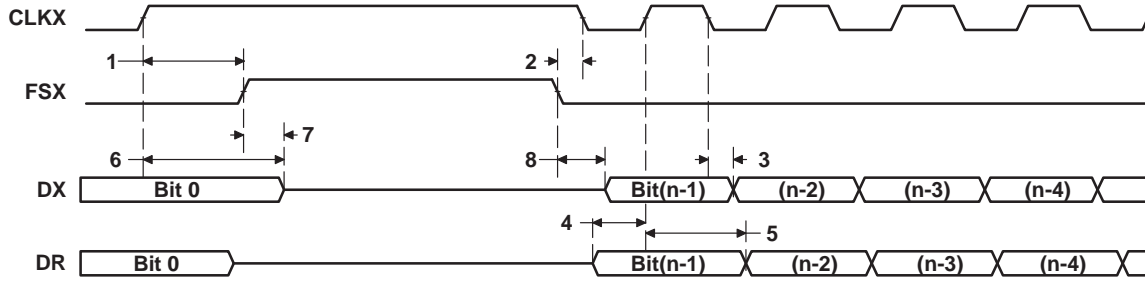


Figure 41. McBSP Timing as SPI Master or Slave: CLKSTP = 10b, CLKXP = 1

# TMS320C6211, TMS320C6211B FIXED-POINT DIGITAL SIGNAL PROCESSORS

SPRS073L – AUGUST 1998 – REVISED JUNE 2004

## MULTICHANNEL BUFFERED SERIAL PORT TIMING (CONTINUED)

timing requirements for McBSP as SPI master or slave: CLKSTP = 11b, CLKXP = 1†‡ (see Figure 42)

| NO. |  | -150<br>-167 |     |         |     | UNIT |
|-----|--|--------------|-----|---------|-----|------|
|     |  | MASTER       |     | SLAVE   |     |      |
|     |  | MIN          | MAX | MIN     | MAX |      |
| 4   | t <sub>su</sub> (DRV-CKXH) Setup time, DR valid before CLKX high | 26           |     | 2 – 6P  | ns  |      |
| 5   | t <sub>h</sub> (CKXH-DRV) Hold time, DR valid after CLKX high    | 4            |     | 6 + 12P | ns  |      |

† P = 1/CPU clock frequency in ns. For example, when running parts at 167 MHz, use P = 6 ns.

‡ For all SPI slave modes, CLKG is programmed as 1/2 of the CPU clock by setting CLKSM = CLKGDV = 1.

switching characteristics over recommended operating conditions for McBSP as SPI master or slave: CLKSTP = 11b, CLKXP = 1†‡ (see Figure 42)

| NO. | PARAMETER   | -150<br>-167 |       |                 |     | UNIT |
|-----|---|--------------|-------|-----------------|-----|------|
|     |   | MASTER§      |       | SLAVE           |     |      |
|     |   | MIN          | MAX   | MIN             | MAX |      |
| 1   | t <sub>h</sub> (CKXH-FXL) Hold time, FSX low after CLKX high¶                                       | H – 9        | H + 9 |                 | ns  |      |
| 2   | t <sub>d</sub> (FXL-CKXL) Delay time, FSX low to CLKX low#  | T – 9        | T + 9 |                 | ns  |      |
| 3   | t <sub>d</sub> (CKXH-DXV) Delay time, CLKX high to DX valid   | –9           | 9     | 6P + 4 10P + 20 | ns  |      |
| 6   | t <sub>dis</sub> (CKXH-DXHZ) Disable time, DX high impedance following last data bit from CLKX high | –9           | 9     | 6P + 3 10P + 20 | ns  |      |
| 7   | t <sub>d</sub> (FXL-DXV) Delay time, FSX low to DX valid  | L – 9        | L + 9 | 4P + 2 8P + 20  | ns  |      |

† P = 1/CPU clock frequency in ns. For example, when running parts at 167 MHz, use P = 6 ns.

‡ For all SPI slave modes, CLKG is programmed as 1/2 of the CPU clock by setting CLKSM = CLKGDV = 1.

§ S = Sample rate generator input clock = 2P if CLKSM = 1 (P = 1/CPU clock frequency)

= Sample rate generator input clock = P\_clks if CLKSM = 0 (P\_clks = CLKS period)

T = CLKX period = (1 + CLKGDV) \* S

H = CLKX high pulse width = (CLKGDV/2 + 1) \* S if CLKGDV is even

= (CLKGDV + 1)/2 \* S if CLKGDV is odd or zero

L = CLKX low pulse width = (CLKGDV/2) \* S if CLKGDV is even

= (CLKGDV + 1)/2 \* S if CLKGDV is odd or zero

¶ FSRP = FSXP = 1. As a SPI master, FSX is inverted to provide active-low slave-enable output. As a slave, the active-low signal input on FSX and FSR is inverted before being used internally.

CLKXM = FSXM = 1, CLKRM = FSRM = 0 for master McBSP

CLKXM = CLKRM = FSXM = FSRM = 0 for slave McBSP

# FSX should be low before the rising edge of clock to enable slave devices and then begin a SPI transfer at the rising edge of the master clock (CLKX).



MULTICHANNEL BUFFERED SERIAL PORT TIMING (CONTINUED)

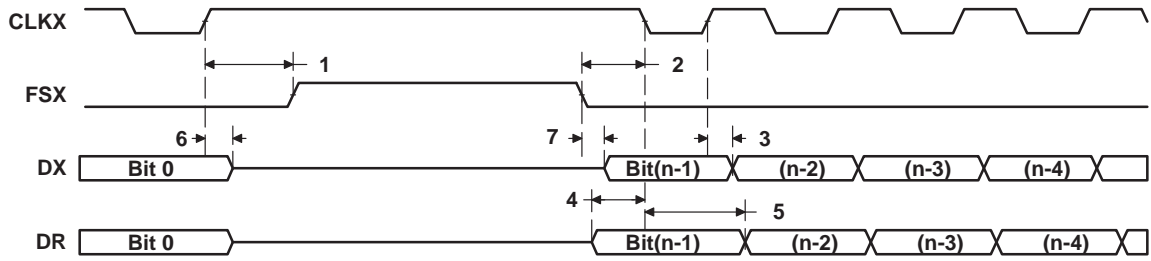


Figure 42. McBSP Timing as SPI Master or Slave: CLKSTP = 11b, CLKXP = 1

# TMS320C6211, TMS320C6211B FIXED-POINT DIGITAL SIGNAL PROCESSORS

SPRS073L – AUGUST 1998 – REVISED JUNE 2004

## TIMER TIMING

### timing requirements for timer inputs† (see Figure 43)

| NO. |   | -150<br>-167 |     | UNIT |
|-----|---|--------------|-----|------|
|     |   | MIN          | MAX |      |
| 1   | $t_w(\text{TINPH})$ Pulse duration, TINP high | 2P           |     | ns   |
| 2   | $t_w(\text{TINPL})$ Pulse duration, TINP low  | 2P           |     | ns   |

† P = 1/CPU clock frequency in ns. For example, when running parts at 167 MHz, use P = 6 ns.

### switching characteristics over recommended operating conditions for timer outputs† (see Figure 43)

| NO. | PARAMETER                                     | -150<br>-167 |     | UNIT |
|-----|---|--------------|-----|------|
|     |   | MIN          | MAX |      |
| 3   | $t_w(\text{TOUTH})$ Pulse duration, TOUT high | 4P-3         |     | ns   |
| 4   | $t_w(\text{TOU TL})$ Pulse duration, TOUT low | 4P-3         |     | ns   |

† P = 1/CPU clock frequency in ns. For example, when running parts at 167 MHz, use P = 6 ns.

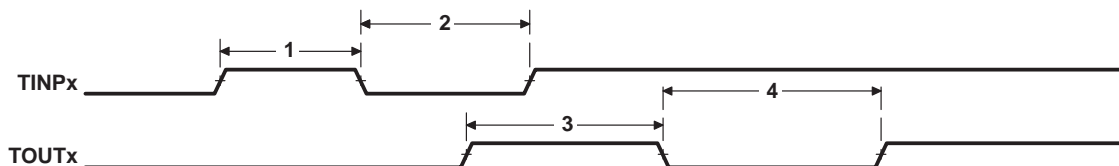


Figure 43. Timer Timing

JTAG TEST-PORT TIMING

timing requirements for JTAG test port (see Figure 44)

| NO. |  | -150<br>-167 |     | UNIT |
|-----|--|--------------|-----|------|
|     |  | MIN          | MAX |      |
| 1   | $t_c(\text{TCK})$ Cycle time, TCK  | 35           |     | ns   |
| 3   | $t_{su}(\text{TDIV-TCKH})$ Setup time, TDI/TMS/ $\overline{\text{TRST}}$ valid before TCK high | 10           |     | ns   |
| 4   | $t_h(\text{TCKH-TDIV})$ Hold time, TDI/TMS/ $\overline{\text{TRST}}$ valid after TCK high      | 9            |     | ns   |

switching characteristics over recommended operating conditions for JTAG test port (see Figure 44)

| NO. | PARAMETER  | -150<br>-167 |     | UNIT |
|-----|--|--------------|-----|------|
|     |  | MIN          | MAX |      |
| 2   | $t_d(\text{TCKL-TDOV})$ Delay time, TCK low to TDO valid | -3           | 18  | ns   |

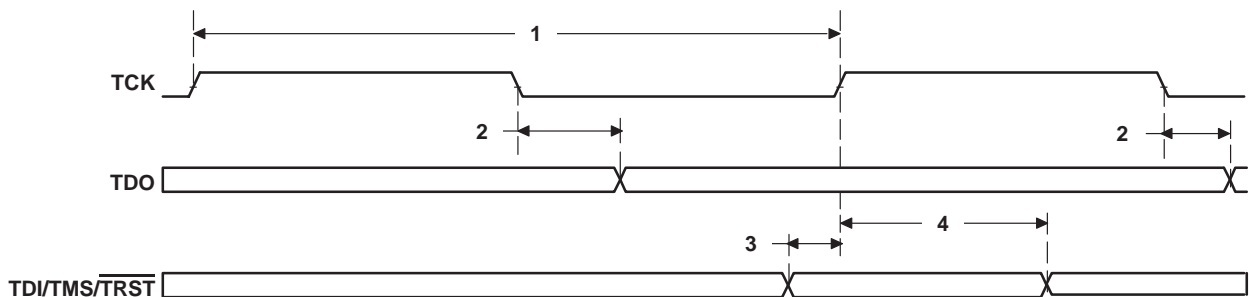


Figure 44. JTAG Test-Port Timing

# TMS320C6211, TMS320C6211B FIXED-POINT DIGITAL SIGNAL PROCESSORS

SPRS073L – AUGUST 1998 – REVISED JUNE 2004

## MECHANICAL DATA

The following tables show the thermal resistance characteristics for the GFN and ZFN mechanical packages.

### thermal resistance characteristics (S-PBGA package) for GFN

| NO |   | °C/W | Air Flow (m/s) <sup>†</sup> |
|----|---|------|-----------------------------|
| 1  | R $\theta$ <sub>JC</sub> Junction-to-case     | 6.4  | N/A                         |
| 2  | R $\theta$ <sub>JA</sub> Junction-to-free air | 25.5 | 0.0                         |
| 3  | R $\theta$ <sub>JA</sub> Junction-to-free air | 23.1 | 0.5                         |
| 4  | R $\theta$ <sub>JA</sub> Junction-to-free air | 22.3 | 1.0                         |
| 5  | R $\theta$ <sub>JA</sub> Junction-to-free air | 21.2 | 2.0                         |

<sup>†</sup> m/s = meters per second

### thermal resistance characteristics (S-PBGA package) for ZFN

| NO |   | °C/W | Air Flow (m/s) <sup>†</sup> |
|----|---|------|-----------------------------|
| 1  | R $\theta$ <sub>JC</sub> Junction-to-case     | 6.4  | N/A                         |
| 2  | R $\theta$ <sub>JA</sub> Junction-to-free air | 25.5 | 0.0                         |
| 3  | R $\theta$ <sub>JA</sub> Junction-to-free air | 23.1 | 0.5                         |
| 4  | R $\theta$ <sub>JA</sub> Junction-to-free air | 22.3 | 1.0                         |
| 5  | R $\theta$ <sub>JA</sub> Junction-to-free air | 21.2 | 2.0                         |

<sup>†</sup> m/s = meters per second



**packaging information**

The following packaging information and addendum reflect the most current released data available for the designated device(s). This data is subject to change without notice and without revision of this document.

**PACKAGING INFORMATION**

| Orderable Device   | Status<br>(1) | Package Type | Package<br>Drawing | Pins | Package<br>Qty | Eco Plan<br>(2)   | Lead/Ball Finish<br>(6) | MSL Peak Temp<br>(3) | Op Temp (°C) | Device Marking<br>(4/5)    | Samples |
|--------------------|---------------|--------------|--------------------|------|----------------|-------------------|-------------------------|----------------------|--------------|----------------------------|---------|
| TMS320C6211BGFN150 | NRND          | BGA          | GFN                | 256  | 40             | TBD               | SNPB                    | Level-4-220C-72 HR   |              | GFN<br>TMS320C6211B        |         |
| TMS320C6211BZFN150 | NRND          | BGA          | ZFN                | 256  | 40             | Pb-Free<br>(RoHS) | SNAGCU                  | Level-4-260C-72HRS   |              | ZFN<br>TMS320C6211B        |         |
| TMS320C6211BZFN167 | NRND          | BGA          | ZFN                | 256  | 40             | Pb-Free<br>(RoHS) | SNAGCU                  | Level-4-260C-72HRS   |              | ZFN<br>TMS320C6211B<br>167 |         |
| TMS32C6211BGFNA150 | NRND          | BGA          | GFN                | 256  | 40             | TBD               | SNPB                    | Level-4-220C-72 HR   |              | 320C6211BGFNA<br>TMS       |         |
| TMS32C6211BZFNA150 | NRND          | BGA          | ZFN                | 256  | 40             | Pb-Free<br>(RoHS) | SNAGCU                  | Level-4-260C-72HRS   |              | 320C6211BZFNA<br>TMS       |         |

(1) The marketing status values are defined as follows:

**ACTIVE:** Product device recommended for new designs.

**LIFEBUY:** TI has announced that the device will be discontinued, and a lifetime-buy period is in effect.

**NRND:** Not recommended for new designs. Device is in production to support existing customers, but TI does not recommend using this part in a new design.

**PREVIEW:** Device has been announced but is not in production. Samples may or may not be available.

**OBSOLETE:** TI has discontinued the production of the device.

(2) **RoHS:** TI defines "RoHS" to mean semiconductor products that are compliant with the current EU RoHS requirements for all 10 RoHS substances, including the requirement that RoHS substance do not exceed 0.1% by weight in homogeneous materials. Where designed to be soldered at high temperatures, "RoHS" products are suitable for use in specified lead-free processes. TI may reference these types of products as "Pb-Free".

**RoHS Exempt:** TI defines "RoHS Exempt" to mean products that contain lead but are compliant with EU RoHS pursuant to a specific EU RoHS exemption.

**Green:** TI defines "Green" to mean the content of Chlorine (Cl) and Bromine (Br) based flame retardants meet JS709B low halogen requirements of <=1000ppm threshold. Antimony trioxide based flame retardants must also meet the <=1000ppm threshold requirement.

(3) MSL, Peak Temp. - The Moisture Sensitivity Level rating according to the JEDEC industry standard classifications, and peak solder temperature.

(4) There may be additional marking, which relates to the logo, the lot trace code information, or the environmental category on the device.

(5) Multiple Device Markings will be inside parentheses. Only one Device Marking contained in parentheses and separated by a "~" will appear on a device. If a line is indented then it is a continuation of the previous line and the two combined represent the entire Device Marking for that device.

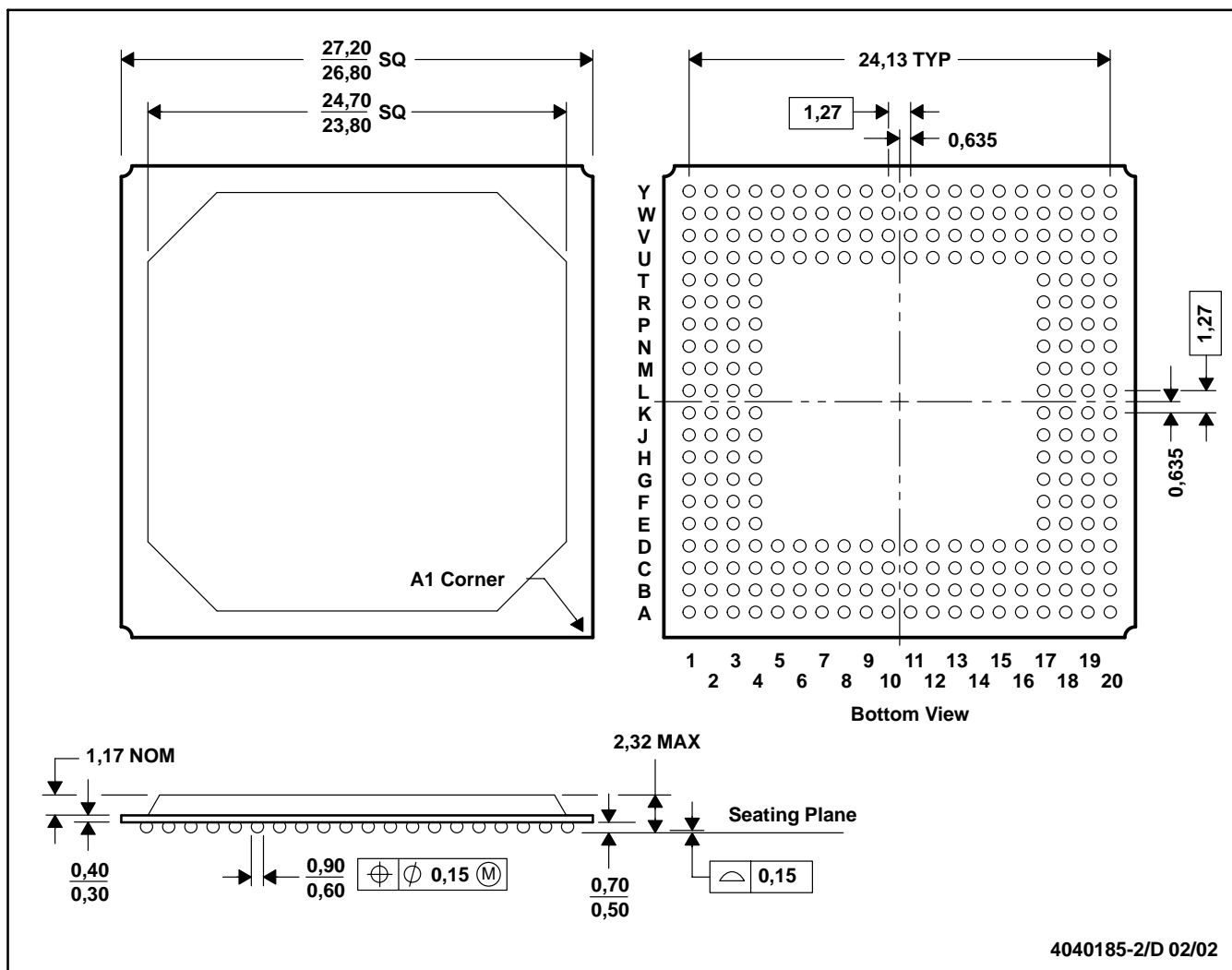
(6) Lead/Ball Finish - Orderable Devices may have multiple material finish options. Finish options are separated by a vertical ruled line. Lead/Ball Finish values may wrap to two lines if the finish value exceeds the maximum column width.

**Important Information and Disclaimer:** The information provided on this page represents TI's knowledge and belief as of the date that it is provided. TI bases its knowledge and belief on information provided by third parties, and makes no representation or warranty as to the accuracy of such information. Efforts are underway to better integrate information from third parties. TI has taken and continues to take reasonable steps to provide representative and accurate information but may not have conducted destructive testing or chemical analysis on incoming materials and chemicals. TI and TI suppliers consider certain information to be proprietary, and thus CAS numbers and other limited information may not be available for release.

In no event shall TI's liability arising out of such information exceed the total purchase price of the TI part(s) at issue in this document sold by TI to Customer on an annual basis.

GFN (S-PBGA-N256)

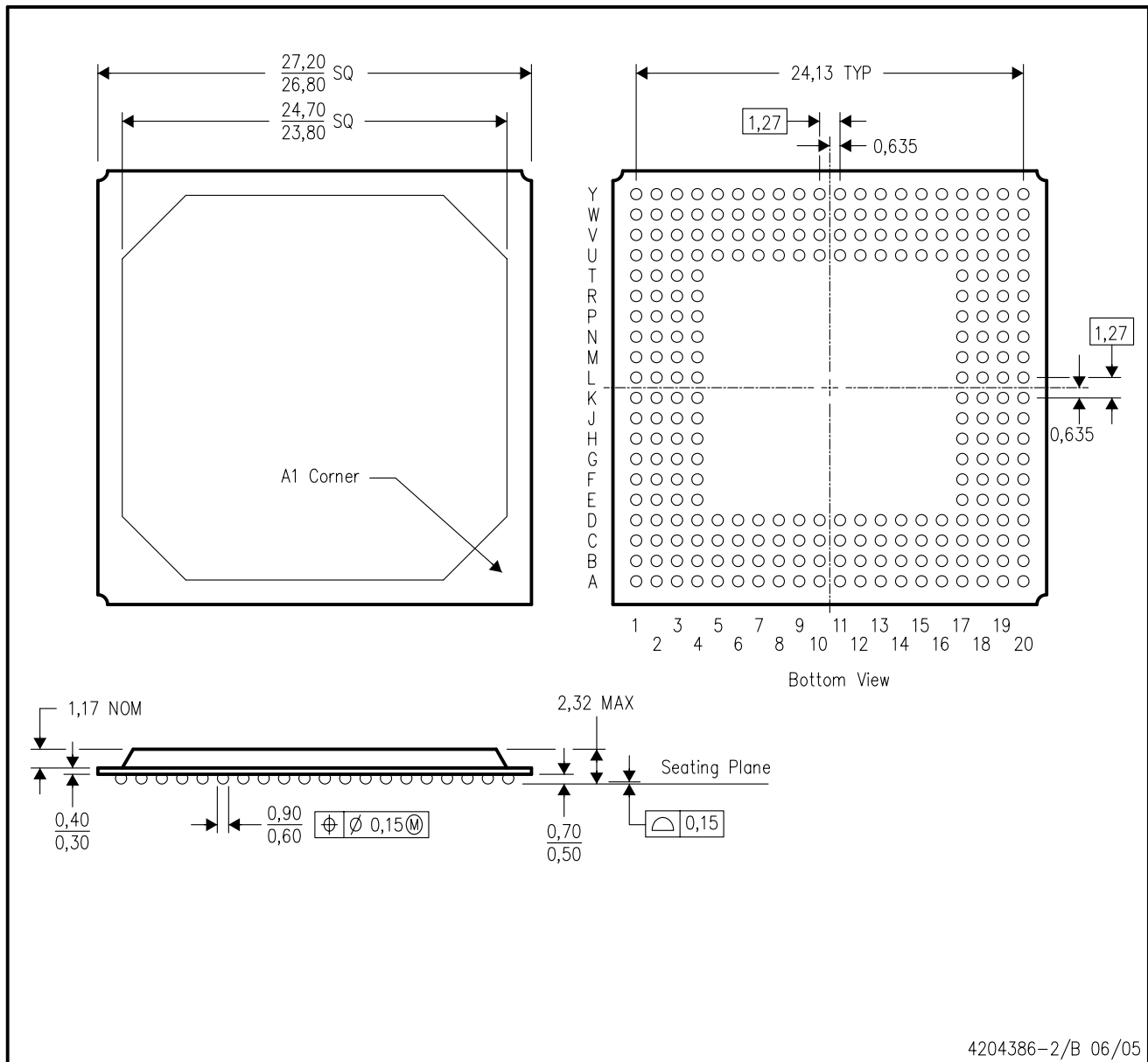
PLASTIC BALL GRID ARRAY



- NOTES: A. All linear dimensions are in millimeters.  
 B. This drawing is subject to change without notice.  
 C. Falls within JEDEC MO-151

ZFN (S-PBGA-N256)

PLASTIC BALL GRID ARRAY



4204386-2/B 06/05

- NOTES:
- A. All linear dimensions are in millimeters.
  - B. This drawing is subject to change without notice.
  - C. Falls within JEDEC MO-151
  - D. This package is a lead-free solder ball design.

## IMPORTANT NOTICE AND DISCLAIMER

TI PROVIDES TECHNICAL AND RELIABILITY DATA (INCLUDING DATASHEETS), DESIGN RESOURCES (INCLUDING REFERENCE DESIGNS), APPLICATION OR OTHER DESIGN ADVICE, WEB TOOLS, SAFETY INFORMATION, AND OTHER RESOURCES "AS IS" AND WITH ALL FAULTS, AND DISCLAIMS ALL WARRANTIES, EXPRESS AND IMPLIED, INCLUDING WITHOUT LIMITATION ANY IMPLIED WARRANTIES OF MERCHANTABILITY, FITNESS FOR A PARTICULAR PURPOSE OR NON-INFRINGEMENT OF THIRD PARTY INTELLECTUAL PROPERTY RIGHTS.

These resources are intended for skilled developers designing with TI products. You are solely responsible for (1) selecting the appropriate TI products for your application, (2) designing, validating and testing your application, and (3) ensuring your application meets applicable standards, and any other safety, security, or other requirements. These resources are subject to change without notice. TI grants you permission to use these resources only for development of an application that uses the TI products described in the resource. Other reproduction and display of these resources is prohibited. No license is granted to any other TI intellectual property right or to any third party intellectual property right. TI disclaims responsibility for, and you will fully indemnify TI and its representatives against, any claims, damages, costs, losses, and liabilities arising out of your use of these resources.

TI's products are provided subject to TI's Terms of Sale ([www.ti.com/legal/termsofsale.html](http://www.ti.com/legal/termsofsale.html)) or other applicable terms available either on [ti.com](http://ti.com) or provided in conjunction with such TI products. TI's provision of these resources does not expand or otherwise alter TI's applicable warranties or warranty disclaimers for TI products.

Mailing Address: Texas Instruments, Post Office Box 655303, Dallas, Texas 75265  
Copyright © 2019, Texas Instruments Incorporated

## Looking for pricing, stock, or lifecycle information?

Click below to explore more details on WIN SOURCE:

 [View TMS320C6211BZFN167 on WIN SOURCE](#)

 [Texas Instruments](#) Information

## Optimize Your Supply Chain with WIN SOURCE Solutions

-  Global Sourcing Solution
-  Obsolete Management
-  Cost Control Management
-  Shortage Management
-  Alternative Solution
-  Excess Inventory Management