



**THE DATASHEET OF
SNT-100-BK-G**



DO NOT SCALE FROM THIS PRINT

DESIGNED & DIMENSIONED IN INCHES [MILLIMETERS]

SNT-100-XX-X-X

BODY SPECIFICATION
-100

OPTION
*-H: HANDLE
(SEE -H OPTION)

COLOR SPECIFICATION

BK = BLACK
RD = RED
BL = BLUE
YW = YELLOW

PLATING SPECIFICATION

-T: MATTE TIN CONTACT AND TAIL
-G: 10μ" GOLD IN CONTACT AREA, 10μ" GOLD ON TAIL
-H: 30μ" HEAVY GOLD IN CONTACT AREA, 3μ" GOLD ON TAIL.

*= ONLY AVAILABLE WITH -BK OPTION

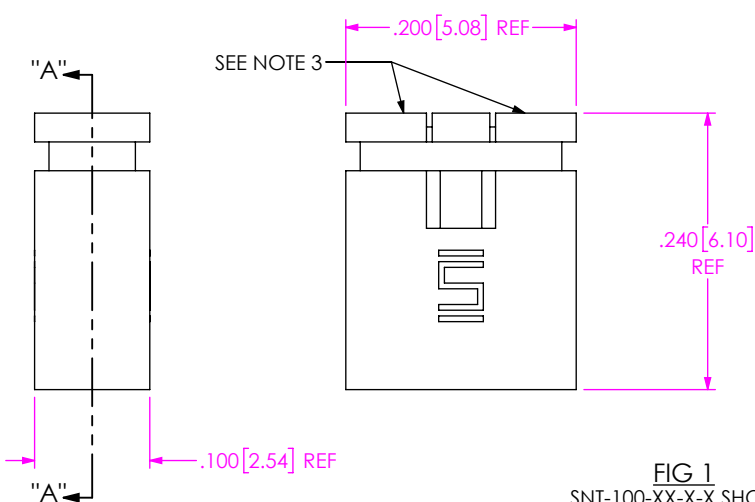
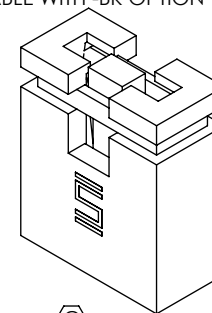
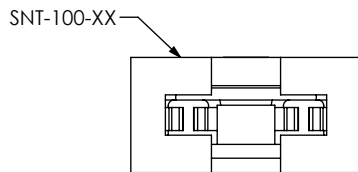
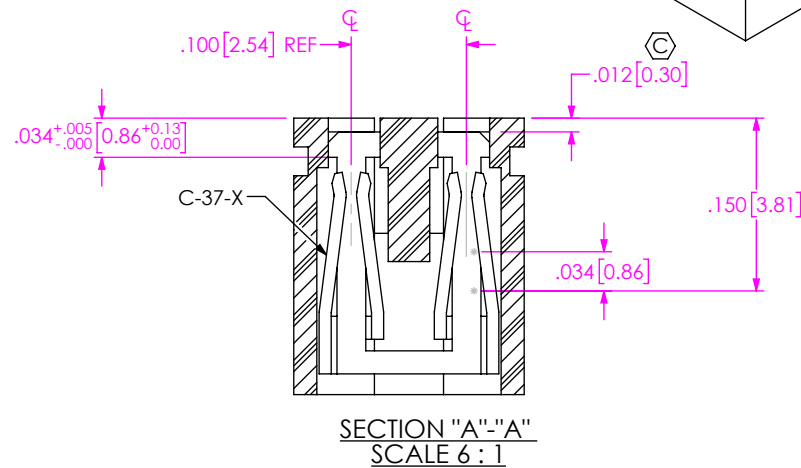


FIG 1
SNT-100-XX-X-X SHOWN



NOTES:

1. Ⓢ REPRESENTS A CRITICAL DIMENSION.
2. MINIMUM PUSHOUT FORCE 1.0 LB (4.44N)
3. MAXIMUM BREAKOFF VESTIGE: .015 [0.38].

UNLESS OTHERWISE SPECIFIED, DIMENSIONS ARE IN INCHES.
TOLERANCES ARE:
DECIMALS ANGLES
.XX: ±.01 [0.3] 2°
.XXX: ±.005 [0.13]
.XXXX: ±.0020 [0.051]

PROPRIETARY NOTE
THIS DOCUMENT CONTAINS CONFIDENTIAL AND PROPRIETARY INFORMATION AND ALL DESIGN, MANUFACTURING, REPRODUCTION, USE, PATENT RIGHTS AND SALES RIGHTS ARE EXPRESSLY RESERVED BY SAMTEC, INC. THIS DOCUMENT SHALL NOT BE DISCLOSED, IN WHOLE OR PART, TO ANY UNAUTHORIZED PERSON OR ENTITY NOR REPRODUCED, TRANSFERRED OR INCORPORATED IN ANY OTHER PROJECT IN ANY MANNER WITHOUT THE EXPRESS WRITTEN CONSENT OF SAMTEC, INC.



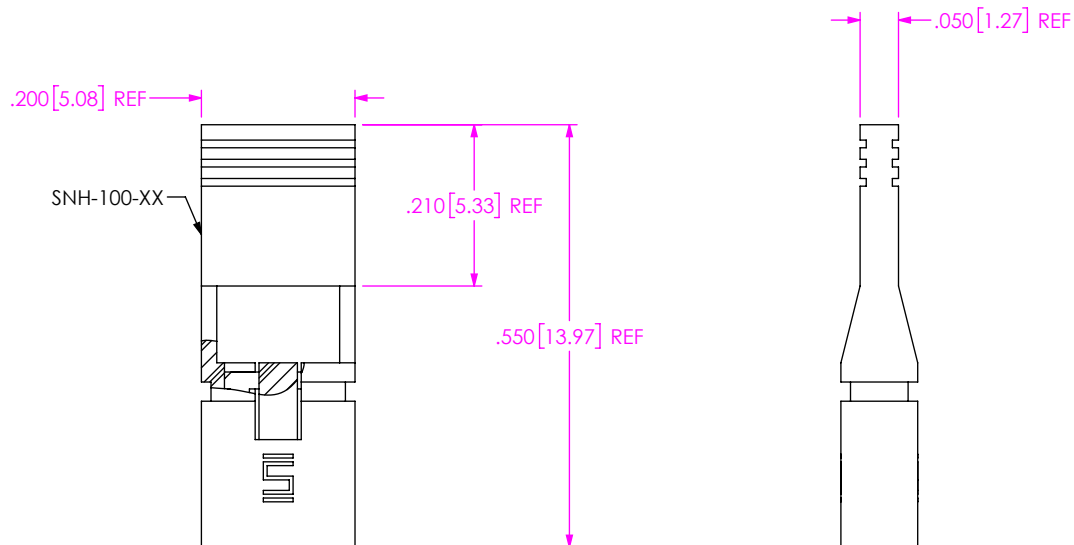
520 PARK EAST BLVD., NEW ALBANY, IN 47150
PHONE: 812-944-6733 FAX: 812-948-5047
e-Mail info@SAMTEC.com code 55322

MATERIAL: DO NOT SCALE DRAWING SHEET SCALE: 8:1
INSULATOR: PBT, UL 94V-0
COLOR: SEE COLOR SPECIFICATION
CONTACT: COPPER ALLOY

DESCRIPTION:
.100 [2.54] C.L. SHUNT ASSEMBLY

DWG. NO. SNT-100-XX-X-X

BY: KOLB 1/31/90 SHEET 1 OF 2



*-H OPTION
 (SAME AS FIG 1 EXCEPT AS SHOWN)
 SNT-100-XX-X-H SHOWN
 *= ONLY AVAILABLE WITH -BK OPTION

• PROPRIETARY NOTE •
 THIS DOCUMENT CONTAINS CONFIDENTIAL AND PROPRIETARY INFORMATION AND ALL DESIGN, MANUFACTURING, REPRODUCTION, USE, PATENT RIGHTS AND SALES RIGHTS ARE EXPRESSLY RESERVED BY SAMTEC, INC. THIS DOCUMENT SHALL NOT BE DISCLOSED, IN WHOLE OR PART, TO ANY UNAUTHORIZED PERSON OR ENTITY NOR REPRODUCED, TRANSFERRED OR INCORPORATED IN ANY OTHER PROJECT IN ANY MANNER WITHOUT THE EXPRESS WRITTEN CONSENT OF SAMTEC, INC.



520 PARK EAST BLVD, NEW ALBANY, IN 47150
 PHONE: 812-944-6733 FAX: 812-948-5047
 e-Mail info@SAMTEC.com code 55322

SHEET SCALE: 6:1

DESCRIPTION: .100 [2.54] C.L. SHUNT ASSEMBLY

DWG. NO. SNT-100-XX-X-X

BY: KOLB 1/31/90 SHEET 2 OF 2

Looking for pricing, stock, or lifecycle information?

Click below to explore more details on WIN SOURCE:

 [View SNT-100-BK-G on WIN SOURCE](#)

 [Samtec Inc. Information](#)

Optimize Your Supply Chain with WIN SOURCE Solutions

-  Global Sourcing Solution
-  Obsolete Management
-  Cost Control Management
-  Shortage Management
-  Alternative Solution
-  Excess Inventory Management