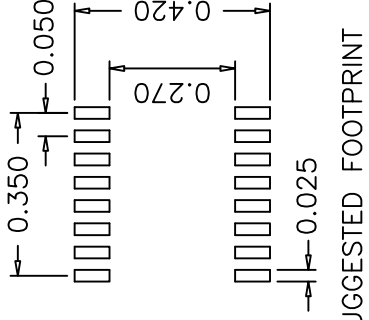
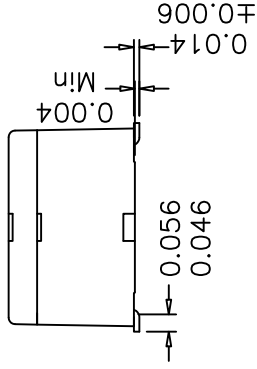
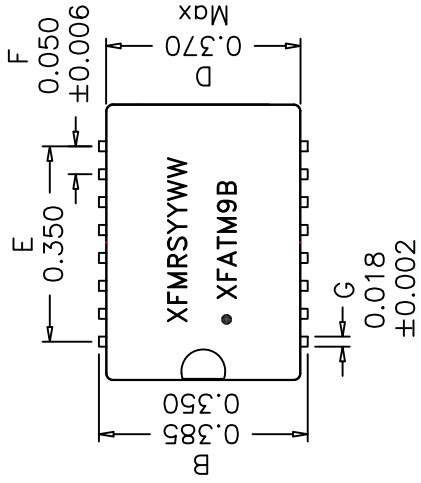
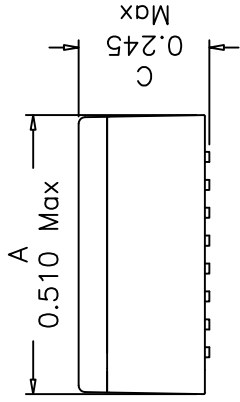




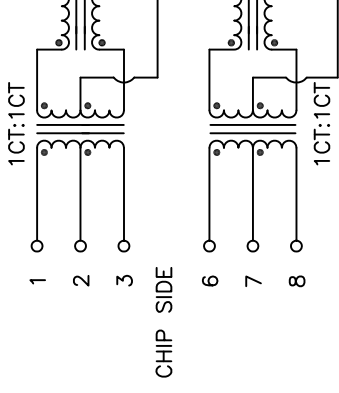
# THE DATASHEET OF XFATM9B



## 1. Mechanical Dimensions:



## 2. Schematic:



## 3. Electrical Specification

UTP Impedance: 100 OHMS  
 Turns Ratio: TX=1CT:1CT±2%  
 Isolation Voltage: 1500Vac, Inj  
 UTP Side OCL: 350uH Min @1  
 UTP Side Q: 16 Min @100KHz  
 Rise Time (10–90%): 4.0ns  
 Insertion Loss (1–132MHz): –  
 Return Loss: 30MHz 60MHz  
 –20dB –14dB  
 CMRR: 30MHz 50MHz 100  
 –42dB –37dB –3  
 Crosstalk: 30MHz 60MHz  
 –45dB –40dB

### Notes:

- Solderability: Leads shall meet MIL-STD-202G, Method 208H for solderability.
- Flammability: UL94V-0
- ASTM oxygen index: > 28%
- Constructed with UL Recognized materials.
- Operating Temperature: –40°C to +125°C
- Storage Temperature Range: –55°C to +125°C
- Aqueous wash compatible
- SMD Lead Coplanarity: ±0.004\*(0.102mm)
- Electrical and mechanical specifications 100% tested
- RoHS Compliant Component
- Recommended IR Reflow peak temp of 250°C Max.

DOC. REV: C/6

**PROPRIETARY** Document is the property of XFMRs Group & is not allowed to be duplicated without authorization.

Tit	<b>XFMRs Inc</b>
F	www.XFMRS.com
C	UNLESS OTHERWISE SPECIFIED
C	TOLERANCES:
C	.xxx ±0.010
C	Dimensions in Inch
A	SHEET 1 OF 1

## Looking for pricing, stock, or lifecycle information?

Click below to explore more details on WIN SOURCE:

 [View XFATM9B on WIN SOURCE](#)

 [XFMRS Inc. Information](#)

## Optimize Your Supply Chain with WIN SOURCE Solutions

-  Global Sourcing Solution
-  Obsolete Management
-  Cost Control Management
-  Shortage Management
-  Alternative Solution
-  Excess Inventory Management