



**THE DATASHEET OF  
AT28C64-20TC**



## Features

- Fast Read Access Time – 120 ns
- Fast Byte Write – 200  $\mu$ s or 1 ms
- Self-timed Byte Write Cycle
  - Internal Address and Data Latches
  - Internal Control Timer
  - Automatic Clear Before Write
- Direct Microprocessor Control
  - $\overline{\text{RDY}}/\overline{\text{BUSY}}$  Open Drain Output
  - $\overline{\text{DATA}}$  Polling
- Low Power
  - 30 mA Active Current
  - 100  $\mu$ A CMOS Standby Current
- High Reliability
  - Endurance:  $10^4$  or  $10^5$  Cycles
  - Data Retention: 10 Years
- $5\text{V} \pm 10\%$  Supply
- CMOS and TTL Compatible Inputs and Outputs
- JEDEC Approved Byte-wide Pinout
- Commercial and Industrial Temperature Ranges

## Description

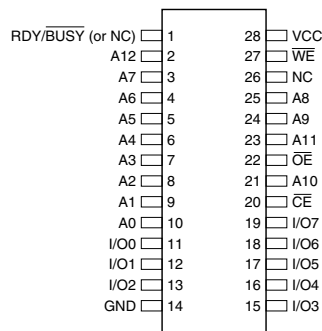
The AT28C64 is a low-power, high-performance 8,192 words by 8-bit nonvolatile electrically erasable and programmable read only memory with popular, easy-to-use features. The device is manufactured with Atmel's reliable nonvolatile technology.

(continued)

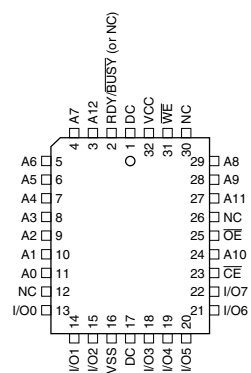
## Pin Configurations

| Pin Name                                       | Function            |
|--|---------------------|
| A0 - A12                                       | Addresses           |
| $\overline{\text{CE}}$                         | Chip Enable         |
| $\overline{\text{OE}}$                         | Output Enable       |
| $\overline{\text{WE}}$                         | Write Enable        |
| I/O0 - I/O7                                    | Data Inputs/Outputs |
| $\overline{\text{RDY}}/\overline{\text{BUSY}}$ | Ready/Busy Output   |
| NC   | No Connect          |
| DC   | Don't Connect       |

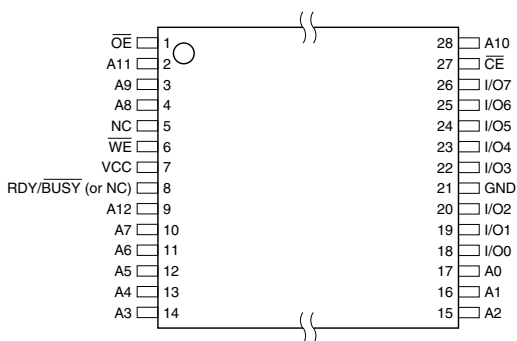
PDIP, SOIC  
Top View



LCC, PLCC  
Top View



TSOP  
Top View



Note: PLCC package pins 1 and 17 are DON'T CONNECT.



64K (8K x 8)  
Parallel  
EEPROMs

AT28C64  
AT28C64X





The AT28C64 is accessed like a Static RAM for the read or write cycles without the need for external components. During a byte write, the address and data are latched internally, freeing the microprocessor address and data bus for other operations. Following the initiation of a write cycle, the device will go to a busy state and automatically clear and write the latched data using an internal control timer. The device includes two methods for detecting the end of a write cycle, level detection of RDY/BUSY (unless pin 1 is N.C.) and DATA Polling of I/O<sub>7</sub>. Once the end of a write

cycle has been detected, a new access for a read or write can begin.

The CMOS technology offers fast access times of 120 ns at low power dissipation. When the chip is deselected the standby current is less than 100 µA.

Atmel's AT28C64 has additional features to ensure high quality and manufacturability. The device utilizes error correction internally for extended endurance and for improved data retention characteristics. An extra 32 bytes of EEPROM are available for device identification or tracking.

## Block Diagram



## Absolute Maximum Ratings\*

|  |                          |
|--|--------------------------|
| Temperature under Bias .....   | -55°C to +125°C          |
| Storage Temperature .....  | -65°C to +150°C          |
| All Input Voltages (including NC Pins)<br>with Respect to Ground ..... | -0.6V to +6.25V          |
| All Output Voltages<br>with Respect to Ground .....                    | -0.6V to $V_{CC} + 0.6V$ |
| Voltage on $\overline{OE}$ and A9<br>with Respect to Ground .....      | -0.6V to +13.5V          |

\*NOTICE: Stresses beyond those listed under "Absolute Maximum Ratings" may cause permanent damage to the device. This is a stress rating only and functional operation of the device at these or any other conditions beyond those indicated in the operational sections of this specification is not implied. Exposure to absolute maximum rating conditions for extended periods may affect device reliability

## Device Operation

**READ:** The AT28C64 is accessed like a Static RAM. When  $\overline{CE}$  and  $\overline{OE}$  are low and  $\overline{WE}$  is high, the data stored at the memory location determined by the address pins is asserted on the outputs. The outputs are put in a high impedance state whenever  $\overline{CE}$  or  $\overline{OE}$  is high. This dual line control gives designers increased flexibility in preventing bus contention.

**BYTE WRITE:** Writing data into the AT28C64 is similar to writing into a Static RAM. A low pulse on the  $\overline{WE}$  or  $\overline{CE}$  input with  $\overline{OE}$  high and  $\overline{CE}$  or  $\overline{WE}$  low (respectively) initiates a byte write. The address location is latched on the falling edge of  $\overline{WE}$  (or  $\overline{CE}$ ); the new data is latched on the rising edge. Internally, the device performs a self-clear before write. Once a byte write has been started, it will automatically time itself to completion. Once a programming operation has been initiated and for the duration of  $t_{WC}$ , a read operation will effectively be a polling operation.

**FAST BYTE WRITE:** The AT28C64E offers a byte write time of 200  $\mu$ s maximum. This feature allows the entire device to be rewritten in 1.6 seconds.

**READY/ $\overline{BUSY}$ :** Pin 1 is an open drain RDY/ $\overline{BUSY}$  output that can be used to detect the end of a write cycle. RDY/ $\overline{BUSY}$  is actively pulled low during the write cycle and is released at the completion of the write. The open drain connection allows for OR-tying of several devices to the

same RDY/ $\overline{BUSY}$  line. The RDY/ $\overline{BUSY}$  pin is not connected for the AT28C64X.

**DATA POLLING:** The AT28C64 provides  $\overline{DATA}$  Polling to signal the completion of a write cycle. During a write cycle, an attempted read of the data being written results in the complement of that data for I/O<sub>7</sub> (the other outputs are indeterminate). When the write cycle is finished, true data appears on all outputs.

**WRITE PROTECTION:** Inadvertent writes to the device are protected against in the following ways: (a)  $V_{CC}$  sense – if  $V_{CC}$  is below 3.8V (typical) the write function is inhibited; (b)  $V_{CC}$  power on delay – once  $V_{CC}$  has reached 3.8V the device will automatically time out 5 ms (typical) before allowing a byte write; and (c) write inhibit – holding any one of  $\overline{OE}$  low,  $\overline{CE}$  high or  $\overline{WE}$  high inhibits byte write cycles.

**CHIP CLEAR:** The contents of the entire memory of the AT28C64 may be set to the high state by the CHIP CLEAR operation. By setting  $\overline{CE}$  low and  $\overline{OE}$  to 12 volts, the chip is cleared when a 10 msec low pulse is applied to  $\overline{WE}$ .

**DEVICE IDENTIFICATION:** An extra 32 bytes of EEPROM memory are available to the user for device identification. By raising A9 to  $12 \pm 0.5V$  and using address locations 1FE0H to 1FFFH the additional bytes may be written to or read from in the same manner as the regular memory array.



## DC and AC Operating Range

|                              |      | AT28C64-12   | AT28C64-15   | AT28C64-20   | AT28C64-25   |
|------------------------------|------|--------------|--------------|--------------|--------------|
| Operating Temperature (Case) | Com. | 0°C - 70°C   | 0°C - 70°C   | 0°C - 70°C   | 0°C - 70°C   |
|                              | Ind. | -40°C - 85°C | -40°C - 85°C | -40°C - 85°C | -40°C - 85°C |
| V <sub>CC</sub> Power Supply |      | 5V ± 10%     | 5V ± 10%     | 5V ± 10%     | 5V ± 10%     |

## Operating Modes

| Mode                  | $\overline{CE}$ | $\overline{OE}$               | $\overline{WE}$ | I/O              |
|-----------------------|-----------------|-------------------------------|-----------------|------------------|
| Read                  | V <sub>IL</sub> | V <sub>IL</sub>               | V <sub>IH</sub> | D <sub>OUT</sub> |
| Write <sup>(2)</sup>  | V <sub>IL</sub> | V <sub>IH</sub>               | V <sub>IL</sub> | D <sub>IN</sub>  |
| Standby/Write Inhibit | V <sub>IH</sub> | X <sup>(1)</sup>              | X               | High Z           |
| Write Inhibit         | X               | X                             | V <sub>IH</sub> |                  |
| Write Inhibit         | X               | V <sub>IL</sub>               | X               |                  |
| Output Disable        | X               | V <sub>IH</sub>               | X               | High Z           |
| Chip Erase            | V <sub>IL</sub> | V <sub>H</sub> <sup>(3)</sup> | V <sub>IL</sub> | High Z           |

- Notes: 1. X can be V<sub>IL</sub> or V<sub>IH</sub>.  
 2. Refer to AC programming waveforms.  
 3. V<sub>H</sub> = 12.0V ± 0.5V.

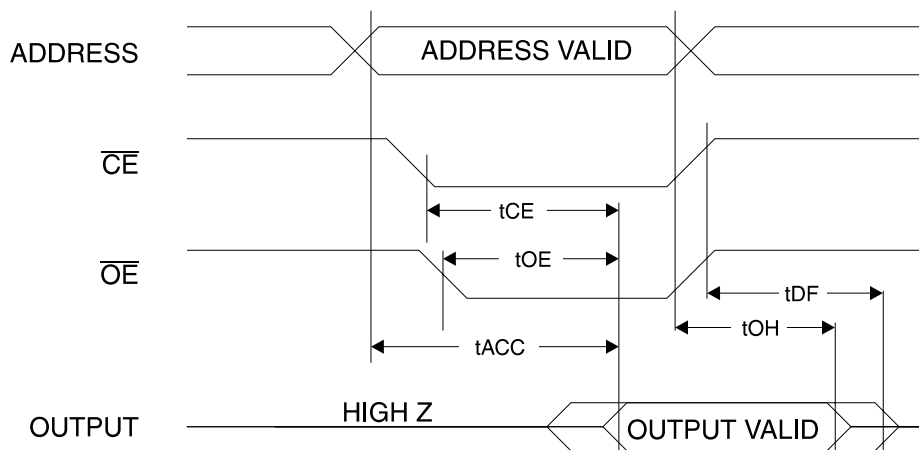
## DC Characteristics

| Symbol           | Parameter                            | Condition   | Min  | Max  | Units |
|------------------|--------------------------------------|---|------|------|-------|
| I <sub>LI</sub>  | Input Load Current                   | V <sub>IN</sub> = 0V to V <sub>CC</sub> + 1V                    |      | 10   | μA    |
| I <sub>LO</sub>  | Output Leakage Current               | V <sub>I/O</sub> = 0V to V <sub>CC</sub>                        |      | 10   | μA    |
| I <sub>SB1</sub> | V <sub>CC</sub> Standby Current CMOS | $\overline{CE} = V_{CC} - 0.3V$ to V <sub>CC</sub> + 1.0V       |      | 100  | μA    |
| I <sub>SB2</sub> | V <sub>CC</sub> Standby Current TTL  | $\overline{CE} = 2.0V$ to V <sub>CC</sub> + 1.0V                | Com. | 2    | mA    |
|                  |                                      |   | Ind. | 3    | mA    |
| I <sub>CC</sub>  | V <sub>CC</sub> Active Current AC    | f = 5 MHz; I <sub>OUT</sub> = 0 mA<br>$\overline{CE} = V_{IL}$  | Com. | 30   | mA    |
|                  |                                      |   | Ind. | 45   | mA    |
| V <sub>IL</sub>  | Input Low Voltage                    |   |      | 0.8  | V     |
| V <sub>IH</sub>  | Input High Voltage                   |   | 2.0  |      | V     |
| V <sub>OL</sub>  | Output Low Voltage                   | I <sub>OL</sub> = 2.1 mA<br>= 4.0 mA for RDY/ $\overline{BUSY}$ |      | 0.45 | V     |
| V <sub>OH</sub>  | Output High Voltage                  | I <sub>OH</sub> = -400 μA                                       | 2.4  |      | V     |

## AC Read Characteristics

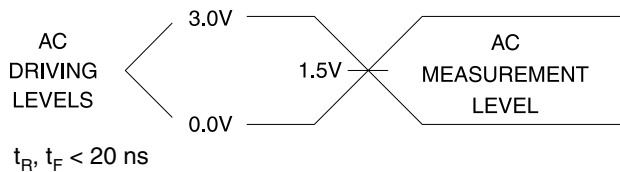
| Symbol            | Parameter   | AT28C64-12 |     | AT28C64-15 |     | AT28C64-20 |     | AT28C64-25 |     | Units |
|-------------------|---|------------|-----|------------|-----|------------|-----|------------|-----|-------|
|                   |   | Min        | Max | Min        | Max | Min        | Max | Min        | Max |       |
| $t_{ACC}$         | Address to Output Delay   |            | 120 |            | 150 |            | 200 |            | 250 | ns    |
| $t_{CE}^{(1)}$    | $\overline{CE}$ to Output Delay   |            | 120 |            | 150 |            | 200 |            | 250 | ns    |
| $t_{OE}^{(2)}$    | $\overline{OE}$ to Output Delay   | 10         | 60  | 10         | 70  | 10         | 80  | 10         | 100 | ns    |
| $t_{DF}^{(3)(4)}$ | $\overline{CE}$ or $\overline{OE}$ High to Output Float                                 | 0          | 45  | 0          | 50  | 0          | 55  | 0          | 60  | ns    |
| $t_{OH}$          | Output Hold from $\overline{OE}$ , $\overline{CE}$ or Address, whichever occurred first | 0          |     | 0          |     | 0          |     | 0          |     | ns    |

## AC Read Waveforms<sup>(1)(2)(3)(4)</sup>

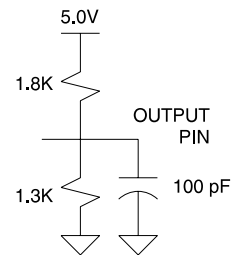


- Notes:
- $\overline{CE}$  may be delayed up to  $t_{ACC} - t_{CE}$  after the address transition without impact on  $t_{ACC}$ .
  - $\overline{OE}$  may be delayed up to  $t_{CE} - t_{OE}$  after the falling edge of  $\overline{CE}$  without impact on  $t_{CE}$  or by  $t_{ACC} - t_{OE}$  after an address change without impact on  $t_{ACC}$ .
  - $t_{DF}$  is specified from  $\overline{OE}$  or  $\overline{CE}$  whichever occurs first ( $C_L = 5$  pF).
  - This parameter is characterized and is not 100% tested.

## Input Test Waveforms and Measurement Level



## Output Test Load



## Pin Capacitance

$f = 1$  MHz,  $T = 25^\circ\text{C}^{(1)}$

| Symbol    | Typ | Max | Units | Conditions     |
|-----------|-----|-----|-------|----------------|
| $C_{IN}$  | 4   | 6   | pF    | $V_{IN} = 0V$  |
| $C_{OUT}$ | 8   | 12  | pF    | $V_{OUT} = 0V$ |

- Note: 1. This parameter is characterized and is not 100% tested.

## AC Write Characteristics

| Symbol            | Parameter   | Min      | Max  | Units   |
|-------------------|---|----------|------|---------|
| $t_{AS}, t_{OES}$ | Address, $\overline{OE}$ Setup Time   | 10       |      | ns      |
| $t_{AH}$          | Address Hold Time   | 50       |      | ns      |
| $t_{WP}$          | Write Pulse Width ( $\overline{WE}$ or $\overline{CE}$ )                                      | 100      | 1000 | ns      |
| $t_{DS}$          | Data Setup Time   | 50       |      | ns      |
| $t_{DH}, t_{OEH}$ | Data, $\overline{OE}$ Hold Time   | 10       |      | ns      |
| $t_{CS}, t_{CH}$  | $\overline{CE}$ to $\overline{WE}$ and $\overline{WE}$ to $\overline{CE}$ Setup and Hold Time | 0        |      | ns      |
| $t_{DB}$          | Time to Device Busy   |          | 50   | ns      |
| $t_{WC}$          | Write Cycle Time (option available)   | AT28C64  | 1    | ms      |
|                   |   | AT28C64E | 200  | $\mu$ s |

## AC Write Waveforms

### $\overline{WE}$ Controlled



### $\overline{CE}$ Controlled

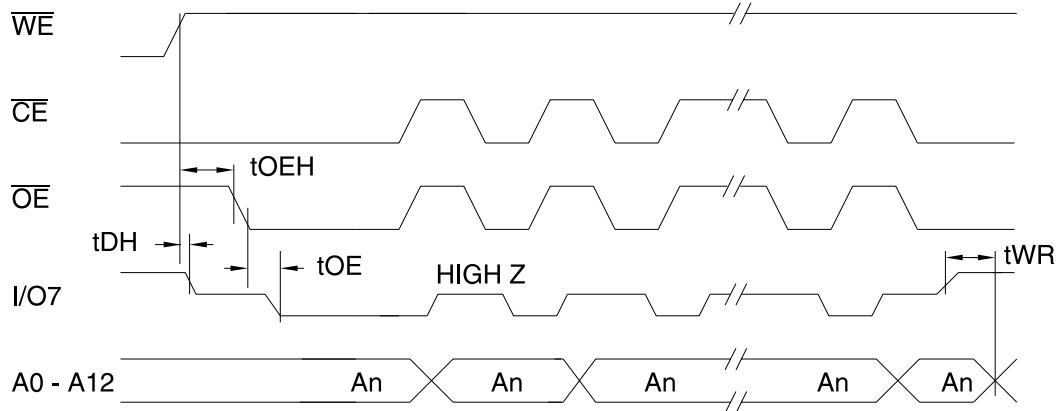


## Data Polling Characteristics<sup>(1)</sup>

| Symbol          | Parameter                                       | Min | Typ | Max | Units |
|-----------------|---|-----|-----|-----|-------|
| $t_{DH}$        | Data Hold Time                                  | 10  |     |     | ns    |
| $t_{OE\bar{H}}$ | $\bar{O}\bar{E}$ Hold Time                      | 10  |     |     | ns    |
| $t_{OE}$        | $\bar{O}\bar{E}$ to Output Delay <sup>(2)</sup> |     |     |     | ns    |
| $t_{WR}$        | Write Recovery Time                             | 0   |     |     | ns    |

Notes: 1. These parameters are characterized and not 100% tested.  
 2. See "AC Read Characteristics".

## Data Polling Waveforms



## Chip Erase Waveforms



$t_S = t_H = 1 \mu\text{sec (min.)}$   
 $t_W = 10 \text{ msec (min.)}$   
 $V_H = 12.0 \pm 0.5V$

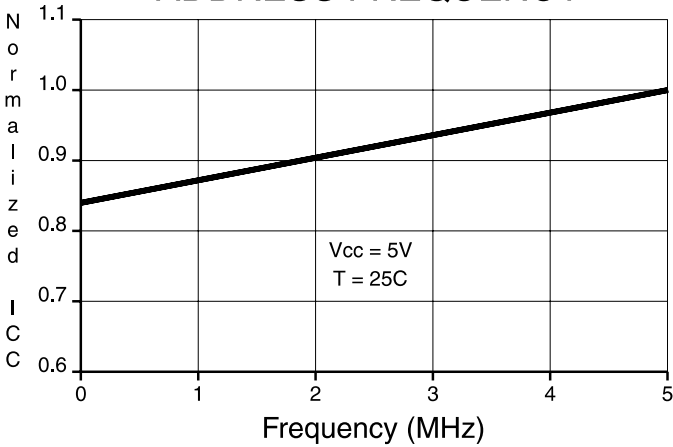
NORMALIZED SUPPLY CURRENT vs. TEMPERATURE



NORMALIZED SUPPLY CURRENT vs. SUPPLY VOLTAGE



NORMALIZED SUPPLY CURRENT vs. ADDRESS FREQUENCY



NORMALIZED ACCESS TIME vs. OUTPUT LOAD



OUTPUT SINK CURRENT vs. OUTPUT VOLTAGE



OUTPUT SOURCE CURRENT vs. OUTPUT VOLTAGE



## AT28C64 Ordering Information

| t <sub>ACC</sub><br>(ns) | I <sub>CC</sub> (mA) |         | Ordering Code  | Package                   | Operation Range               |
|--------------------------|----------------------|---------|--|---------------------------|-------------------------------|
|                          | Active               | Standby |  |                           |                               |
| 120                      | 30                   | 0.1     | AT28C64-12JC<br>AT28C64-12PC<br>AT28C64-12SC<br>AT28C64-12TC | 32J<br>28P6<br>28S<br>28T | Commercial<br>(0°C to 70°C)   |
|                          | 45                   | 0.1     | AT28C64-12JI<br>AT28C64-12PI<br>AT28C64-12SI<br>AT28C64-12TI | 32J<br>28P6<br>28S<br>28T | Industrial<br>(-40°C to 85°C) |
| 150                      | 30                   | 0.1     | AT28C64-15JC<br>AT28C64-15PC<br>AT28C64-15SC<br>AT28C64-15TC | 32J<br>28P6<br>28S<br>28T | Commercial<br>(0°C to 70°C)   |
|                          | 45                   | 0.1     | AT28C64-15JI<br>AT28C64-15PI<br>AT28C64-15SI<br>AT28C64-15TI | 32J<br>28P6<br>28S<br>28T | Industrial<br>(-40°C to 85°C) |
| 200                      | 30                   | 0.1     | AT28C64-20JC<br>AT28C64-20PC<br>AT28C64-20SC<br>AT28C64-20TC | 32J<br>28P6<br>28S<br>28T | Commercial<br>(0°C to 70°C)   |
|                          | 45                   | 0.1     | AT28C64-20JI<br>AT28C64-20PI<br>AT28C64-20SI<br>AT28C64-20TI | 32J<br>28P6<br>28S<br>28T | Industrial<br>(-40°C to 85°C) |
| 250                      | 30                   | 0.1     | AT28C64-25JC<br>AT28C64-25PC<br>AT28C64-25SC<br>AT28C64-25TC | 32J<br>28P6<br>28S<br>28T | Commercial<br>(0°C to 70°C)   |
|                          | 45                   | 0.1     | AT28C64-25JI<br>AT28C64-25PI<br>AT28C64-25SI<br>AT28C64-25TI | 32J<br>28P6<br>28S<br>28T | Industrial<br>(-40°C to 85°C) |

| Package Type |   |
|--------------|---|
| <b>32J</b>   | 32-lead, Plastic J-leaded Chip Carrier (PLCC)                             |
| <b>28P6</b>  | 28-lead, 0.600" Wide, Plastic Dull Inline Package (PDIP)                  |
| <b>28S</b>   | 28-lead, 0.300" Wide, Plastic Gull Wing, Small Outline (SOIC)             |
| <b>28T</b>   | 28-lead, Plastic Thin Small Outline Package (TSOP)                        |
| Options      |   |
| <b>Blank</b> | Standard Device: Endurance = 10K Write Cycles; Write Time = 1 ms          |
| <b>E</b>     | High Endurance Option: Endurance = 100K Write Cycles; Write Time = 200 μs |



## AT28C64X Ordering Information

| t <sub>ACC</sub><br>(ns) | I <sub>CC</sub> (mA) |         | Ordering Code  | Package                   | Operation Range               |
|--------------------------|----------------------|---------|--|---------------------------|-------------------------------|
|                          | Active               | Standby |  |                           |                               |
| 150                      | 30                   | 0.1     | AT28C64X-15JC<br>AT28C64X-15PC<br>AT28C64X-15SC<br>AT28C64X-15TC | 32J<br>28P6<br>28S<br>28T | Commercial<br>(0°C to 70°C)   |
|                          | 45                   | 0.1     | AT28C64X-15JI<br>AT28C64X-15PI<br>AT28C64X-15SI<br>AT28C64X-15TI | 32J<br>28P6<br>28S<br>28T | Industrial<br>(-40°C to 85°C) |
| 200                      | 30                   | 0.1     | AT28C64X-20JC<br>AT28C64X-20PC<br>AT28C64X-20SC<br>AT28C64X-20TC | 32J<br>28P6<br>28S<br>28T | Commercial<br>(0°C to 70°C)   |
|                          | 45                   | 0.1     | AT28C64X-20JI<br>AT28C64X-20PI<br>AT28C64X-20SI<br>AT28C64X-20TI | 32J<br>28P6<br>28S<br>28T | Industrial<br>(-40°C to 85°C) |
| 250                      | 30                   | 0.1     | AT28C64X-25JC<br>AT28C64X-25PC<br>AT28C64X-25SC<br>AT28C64X-25TC | 32J<br>28P6<br>28S<br>28T | Commercial<br>(0°C to 70°C)   |
|                          | 45                   | 0.1     | AT28C64X-25JI<br>AT28C64X-25PI<br>AT28C64X-25SI<br>AT28C64X-25TI | 32J<br>28P6<br>28S<br>28T | Industrial<br>(-40°C to 85°C) |

## Valid Part Numbers

The following table lists standard Atmel products that can be ordered.

| Device Numbers | Speed | Package and Temperature Combinations |
|----------------|-------|--------------------------------------|
| AT28C64 X      | 12    | JC, JI, PC, PI, SC, SI, TC, TI       |
| AT28C64 X      | 15    | JC, JI, PC, PI, SC, SI, TC, TI       |
| AT28C64 X      | 20    | JC, JI, PC, PI, SC, SI, TC, TI       |
| AT28C64 X      | 25    | JC, JI, PC, PI, SC, SI, TC, TI       |

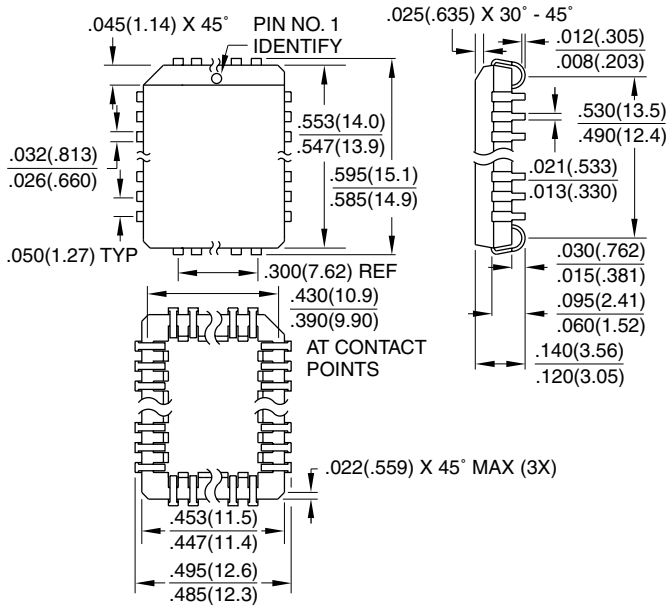
## Die Products

Reference Section: Parallel EEPROM Die Products

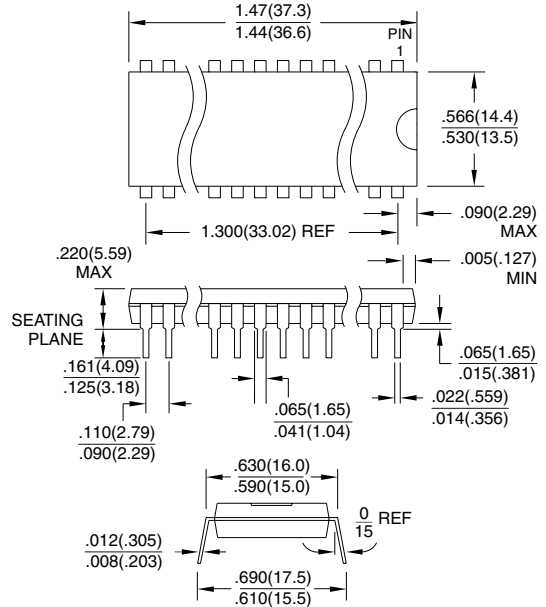
| Package Type |   |
|--------------|---|
| 32J          | 32-lead, Plastic J-leaded Chip Carrier (PLCC)                 |
| 28P6         | 28-lead, 0.600" Wide, Plastic Dull Inline Package (PDIP)      |
| 28S          | 28-lead, 0.300" Wide, Plastic Gull Wing, Small Outline (SOIC) |
| 28T          | 28-lead, Plastic Thin Small Outline Package (TSOP)            |

## Packaging Information

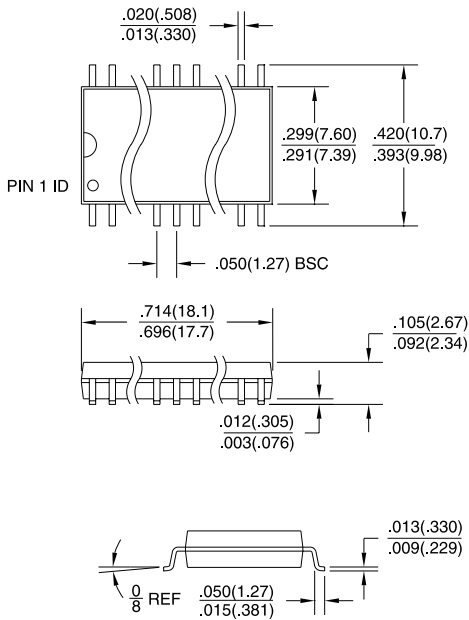
**32J**, 32-lead, Plastic J-leaded Chip Carrier (PLCC)  
 Dimensions in Inches and (Millimeters)  
 JEDEC STANDARD MS-016 AE



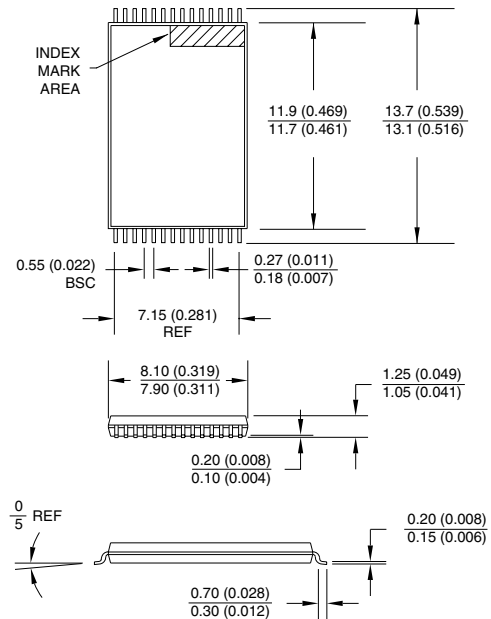
**28P6**, 28-lead, 0.600" Wide, Plastic Dual Inline Package (PDIP)  
 Dimensions in Inches and (Millimeters)  
 JEDEC STANDARD MS-011 AB



**28S**, 28-lead, 0.300" Wide, Plastic Gull Wing Small Outline (SOIC)  
 Dimensions in Inches and (Millimeters)



**28T**, 28-lead, Plastic Thin Small Outline Package (TSOP)  
 Dimensions in Millimeters and (Inches)\*



\*Controlling dimension: millimeters



## Atmel Headquarters

### *Corporate Headquarters*

2325 Orchard Parkway  
San Jose, CA 95131  
TEL (408) 441-0311  
FAX (408) 487-2600

### *Europe*

Atmel U.K., Ltd.  
Coliseum Business Centre  
Riverside Way  
Camberley, Surrey GU15 3YL  
England  
TEL (44) 1276-686-677  
FAX (44) 1276-686-697

### *Asia*

Atmel Asia, Ltd.  
Room 1219  
Chinachem Golden Plaza  
77 Mody Road Tsimhatsui  
East Kowloon  
Hong Kong  
TEL (852) 2721-9778  
FAX (852) 2722-1369

### *Japan*

Atmel Japan K.K.  
9F, Tonetsu Shinkawa Bldg.  
1-24-8 Shinkawa  
Chuo-ku, Tokyo 104-0033  
Japan  
TEL (81) 3-3523-3551  
FAX (81) 3-3523-7581

## Atmel Operations

### *Atmel Colorado Springs*

1150 E. Cheyenne Mtn. Blvd.  
Colorado Springs, CO 80906  
TEL (719) 576-3300  
FAX (719) 540-1759

### *Atmel Rousset*

Zone Industrielle  
13106 Rousset Cedex  
France  
TEL (33) 4-4253-6000  
FAX (33) 4-4253-6001

---

### *Fax-on-Demand*

North America:  
1-(800) 292-8635  
International:  
1-(408) 441-0732

### *e-mail*

literature@atmel.com

### *Web Site*

<http://www.atmel.com>

### *BBS*

1-(408) 436-4309

### © Atmel Corporation 1999.

Atmel Corporation makes no warranty for the use of its products, other than those expressly contained in the Company's standard warranty which is detailed in Atmel's Terms and Conditions located on the Company's web site. The Company assumes no responsibility for any errors which may appear in this document, reserves the right to change devices or specifications detailed herein at any time without notice, and does not make any commitment to update the information contained herein. No licenses to patents or other intellectual property of Atmel are granted by the Company in connection with the sale of Atmel products, expressly or by implication. Atmel's products are not authorized for use as critical components in life support devices or systems.

Marks bearing ® and/or ™ are registered trademarks and trademarks of Atmel Corporation.

Terms and product names in this document may be trademarks of others.



Printed on recycled paper.

0001H-12/99/xM

## Looking for pricing, stock, or lifecycle information?

Click below to explore more details on WIN SOURCE:

- ⊖ [View AT28C64-20TC](#) on WIN SOURCE
- ⊖ [Microchip Technology](#) Information

## Optimize Your Supply Chain with WIN SOURCE Solutions

- ✓ Global Sourcing Solution
- ✓ Obsolete Management
- ✓ Cost Control Management
- ✓ Shortage Management
- ✓ Alternative Solution
- ✓ Excess Inventory Management