

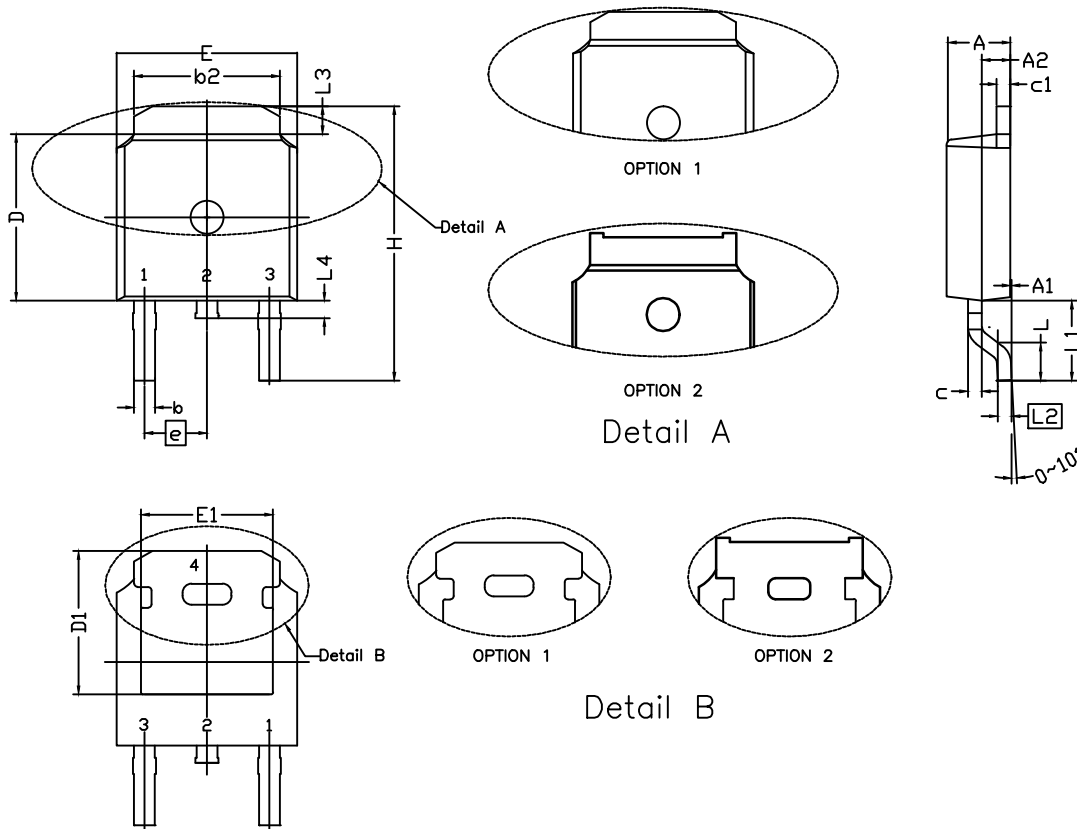


THE DATASHEET OF AOD2610

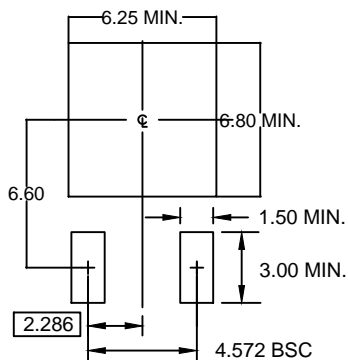




TO252 PACKAGE OUTLINE



RECOMMENDED LAND PATTERN



UNIT: mm

| SYMBOLS | DIMENSION IN MM | | | DIMENSION IN INCHES | | |
|---------|-----------------|--------|--------|---------------------|-------|-------|
| | MIN | NOM | MAX | MIN | NOM | MAX |
| A | 2.184 | 2.286 | 2.400 | 0.086 | 0.090 | 0.094 |
| A1 | 0.000 | --- | 0.200 | 0.000 | --- | 0.008 |
| A2 | 0.889 | 1.041 | 1.170 | 0.035 | 0.041 | 0.046 |
| b | 0.635 | 0.762 | 0.889 | 0.025 | 0.030 | 0.035 |
| b1 | 0.680 | 0.840 | 1.143 | 0.027 | 0.033 | 0.045 |
| b2 | 4.953 | 5.340 | 5.500 | 0.195 | 0.210 | 0.217 |
| c | 0.450 | 0.508 | 0.610 | 0.018 | 0.020 | 0.024 |
| c1 | 0.450 | 0.508 | 0.630 | 0.018 | 0.020 | 0.025 |
| D | 5.969 | 6.096 | 6.223 | 0.235 | 0.240 | 0.245 |
| D1 | 5.210 | 5.249 | 5.380 | 0.205 | 0.207 | 0.212 |
| E | 6.350 | 6.604 | 6.800 | 0.250 | 0.260 | 0.268 |
| E1 | 4.318 | 4.826 | 4.920 | 0.170 | 0.190 | 0.194 |
| e | 2.286 BSC | | | 0.090 BSC | | |
| e1 | 4.572 BSC | | | 0.180 BSC | | |
| H | 9.398 | 10.033 | 10.500 | 0.370 | 0.395 | 0.413 |
| L | 1.270 | 1.520 | 2.032 | 0.050 | 0.060 | 0.080 |
| L1 | 2.921 REF. | | | 0.115 REF. | | |
| L2 | 0.408 | 0.508 | 0.608 | 0.016 | 0.020 | 0.024 |
| L3 | 0.889 | 1.016 | 1.270 | 0.035 | 0.040 | 0.050 |
| L4 | 0.600 | --- | 1.016 | 0.024 | --- | 0.040 |

NOTE

1. PACKAGE BODY SIZES EXCLUDE MOLD FLASH AND GATE BURRS. MOLD FLASH SHOULD BE LESS THAN 6 MILS.
2. DIMENSION L IS MEASURED IN GAUGE PLANE
3. TOLERANCE 0.10 mm UNLESS OTHERWISE SPECIFIED
4. CONTROLLING DIMENSION IS MILLIMETER. CONVERTED INCH DIMENSIONS ARE NOT NECESSARILY EXACT.
5. REFER TO JEDEC TO-252 (AA)

Looking for pricing, stock, or lifecycle information?

Click below to explore more details on WIN SOURCE:

- ⊖ [View AOD2610 on WIN SOURCE](#)
- ⊖ [Alpha & Omega Semiconductor Inc. Information](#)

Optimize Your Supply Chain with WIN SOURCE Solutions

- ✓ Global Sourcing Solution
- ✓ Obsolete Management
- ✓ Cost Control Management
- ✓ Shortage Management
- ✓ Alternative Solution
- ✓ Excess Inventory Management