



THE DATASHEET OF LM759CH



LM759/LM77000 Power Operational Amplifiers

General Description

The LM759 and LM77000 are high performance operational amplifiers that feature high output current capability. The LM759 is capable of providing 325 mA and the LM77000 providing 250 mA. Both amplifiers feature small signal characteristics that are better than the LM741. The amplifiers are designed to operate from a single or dual power supply with an input common mode range that includes the negative supply. The high gain and high output power provide superior performance. Internal current limiting, thermal shut-down, and safe area compensation are employed making the LM759 and LM77000 essentially indestructible.

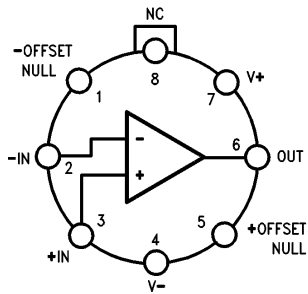
Features

- Output current
 - LM759—325 mA minimum
 - LM77000—250 mA minimum
- Internal short circuit current limiting
- Internal thermal overload protection
- Internal output transistors safe-area protection
- Input common mode voltage range includes ground or negative supply

Applications

- Voltage regulators
- Audio amplifiers
- Servo amplifiers
- Power drivers

Connection Diagrams and Ordering Information

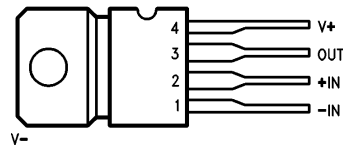


TL/H/10075-1

Lead 4 connected to case.

Top View

Order Number LM759MH, LM759CH or LM759H/883
See NS Package Number H08C



TL/H/10075-2

Top View

Order Number LM759CP or LM77000CP
See NS Package Number P04A

Absolute Maximum Ratings

If Military/Aerospace specified devices are required, please contact the National Semiconductor Sales Office/Distributors for availability and specifications.

Storage Temperature Range		
Metal Can		-65°C to +175°C
Plastic Package		-65°C to +150°C

Operating Junction Temperature Range		
Military (LM759M)		-55°C to +150°C
Commercial (LM759C, LM77000C)		0°C to +125°C

Lead Temperature		
Metal Can (soldering, 60 sec)		300°C
Plastic Package (soldering, 10 sec)		265°C

Internal Power Dissipation (Note 1)	Internally Limited
Supply Voltage	±18V
Differential Input Voltage	30V
Input Voltage (note 2)	±15V

LM759

Electrical Characteristics $T_J = 25^\circ\text{C}$, $V_{CC} = \pm 15\text{V}$, unless otherwise specified

Symbol	Parameter	Conditions	Min	Typ	Max	Units
V_{IO}	Input Offset Voltage	$R_S \leq 10\text{ k}\Omega$		1.0	3.0	mV
I_{IO}	Input Offset Current			5.0	30	nA
I_{IB}	Input Bias Current			50	150	nA
Z_I	Input Impedance		0.25	1.5		M Ω
I_{CC}	Supply Current			12	18	mA
V_{IR}	Input Voltage Range		$V^+ - 2\text{V to } V^-$	$V^+ - 2\text{V to } V^-$		V
I_{OS}	Output Short Circuit Current	$ V_{CC} - V_O = 30\text{V}$		±200		mA
$I_{O\text{ PEAK}}$	Peak Output Current	$3.0\text{V} \leq V_{CC} - V_O \leq 10\text{V}$	±325	±500		mA
A_{VS}	Large Signal Voltage Gain	$R_L \geq 50\Omega$, $V_O = \pm 10\text{V}$	50	200		V/mV
TR	Transient Response	Rise Time	$R_L = 50\Omega$, $A_V = 1.0$	300		ns
		Overshoot		5.0		%
SR	Slew Rate	$R_L = 50\Omega$, $A_V = 1.0$		0.6		V/ μs
BW	Bandwidth	$A_V = 1.0$		1.0		MHz

The following specifications apply for $-55^\circ\text{C} \leq T_J \leq +150^\circ\text{C}$

V_{IO}	Input Offset Voltage	$R_S \leq 10\text{ k}\Omega$			4.5	mV
I_{IO}	Input Offset Current				60	nA
I_{IB}	Input Bias Current				300	nA
CMRR	Common Mode Rejection Ratio	$R_S \leq 10\text{ k}\Omega$	80	100		dB
PSRR	Power Supply Rejection Ratio	$R_S \leq 10\text{ k}\Omega$	80	100		dB
A_{VS}	Large Signal Voltage Gain	$R_L \geq 50\Omega$, $V_O = \pm 10\text{V}$	25	200		V/mV
V_{OP}	Output Voltage Swing	$R_L = 50\Omega$	±10	±12.5		V

LM759C

Electrical Characteristics $T_J = 25^\circ\text{C}$, $V_{CC} = \pm 15\text{V}$, unless otherwise specified

Symbol	Parameter	Conditions	Min	Typ	Max	Units	
V_{IO}	Input Offset Voltage	$R_S \leq 10\text{ k}\Omega$		1.0	6.0	mV	
I_{IO}	Input Offset Current			5.0	50	nA	
I_{IB}	Input Bias Current			50	250	nA	
Z_I	Input Impedance		0.25	1.5		M Ω	
I_{CC}	Supply Current			12	18	mA	
V_{IR}	Input Voltage Range		$V^+ - 2\text{V to } V^-$	$V^+ - 2\text{V to } V^-$		V	
I_{OS}	Output Short Circuit Current	$ V_{CC} - V_O = 30\text{V}$		± 200		mA	
$I_{O\text{ PEAK}}$	Peak Output Current	$3.0\text{V} \leq V_{CC} - V_O \leq 10\text{V}$	± 325	± 500		mA	
A_{VS}	Large Signal Voltage Gain	$R_L \geq 50\Omega$, $V_O = \pm 10\text{V}$	25	200		V/mV	
TR	Transient Response	$R_L = 50\Omega$, $A_V = 1.0$	Rise Time		300		ns
			Overshoot		10		%
SR	Slew Rate	$R_L = 50\Omega$, $A_V = 1.0$		0.5		V/ μs	
BW	Bandwidth	$A_V = 1.0$		1.0		MHz	

The following specifications apply for $0^\circ \leq T_J \leq +125^\circ\text{C}$

V_{IO}	Input Offset Voltage	$R_S \leq 10\text{ k}\Omega$			7.5	mV
I_{IO}	Input Offset Current				100	nA
I_{IB}	Input Bias Current				400	nA
CMRR	Common Mode Rejection Ratio	$R_S \leq 10\text{ k}\Omega$	70	100		dB
PSRR	Power Supply Rejection Ratio	$R_S \leq 10\text{ k}\Omega$	80	100		dB
A_{VS}	Large Signal Voltage Gain	$R_L \geq 50\Omega$, $V_O = \pm 10\text{V}$	25	200		V/mV
V_{OP}	Output Voltage Swing	$R_L = 50\Omega$	± 10	± 12.5		V

LM77000

Electrical Characteristics $T_J = 25^\circ\text{C}$, $V_{CC} = \pm 15\text{V}$, unless otherwise specified

Symbol	Parameter	Conditions	Min	Typ	Max	Units
V_{IO}	Input Offset Voltage	$R_S \leq 10\text{ k}\Omega$		1.0	8.0	mV
I_{IO}	Input Offset Current			5.0	50	nA
I_{IB}	Input Bias Current			50	250	nA
Z_I	Input Impedance		0.25	1.5		M Ω
I_{CC}	Supply Current			12	18	mA
V_{IR}	Input Voltage Range		+13 to V^-	+13 to V^-		V
I_{OS}	Output Short Circuit Current	$ V_{CC}-V_O = 30\text{V}$		± 200		mA
$I_{O\text{ PEAK}}$	Peak Output Current	$3.0\text{V} \leq V_{CC}-V_O \leq 10\text{V}$	± 250	± 400		mA
A_{VS}	Large Signal Voltage Gain	$R_L \geq 50\Omega$, $V_O = \pm 10\text{V}$	25	200		V/mV
TR	Transient Response	Rise Time	$R_L = 50\Omega$, $A_V = 1.0$		300	ns
		Overshoot			10	%
SR	Slew Rate	$R_L = 50\Omega$, $A_V = 1.0$		0.5		V/ μs
BW	Bandwidth	$A_V = 1.0$		1.0		MHz

The following specifications apply for $0^\circ \leq T_J \leq +125^\circ\text{C}$

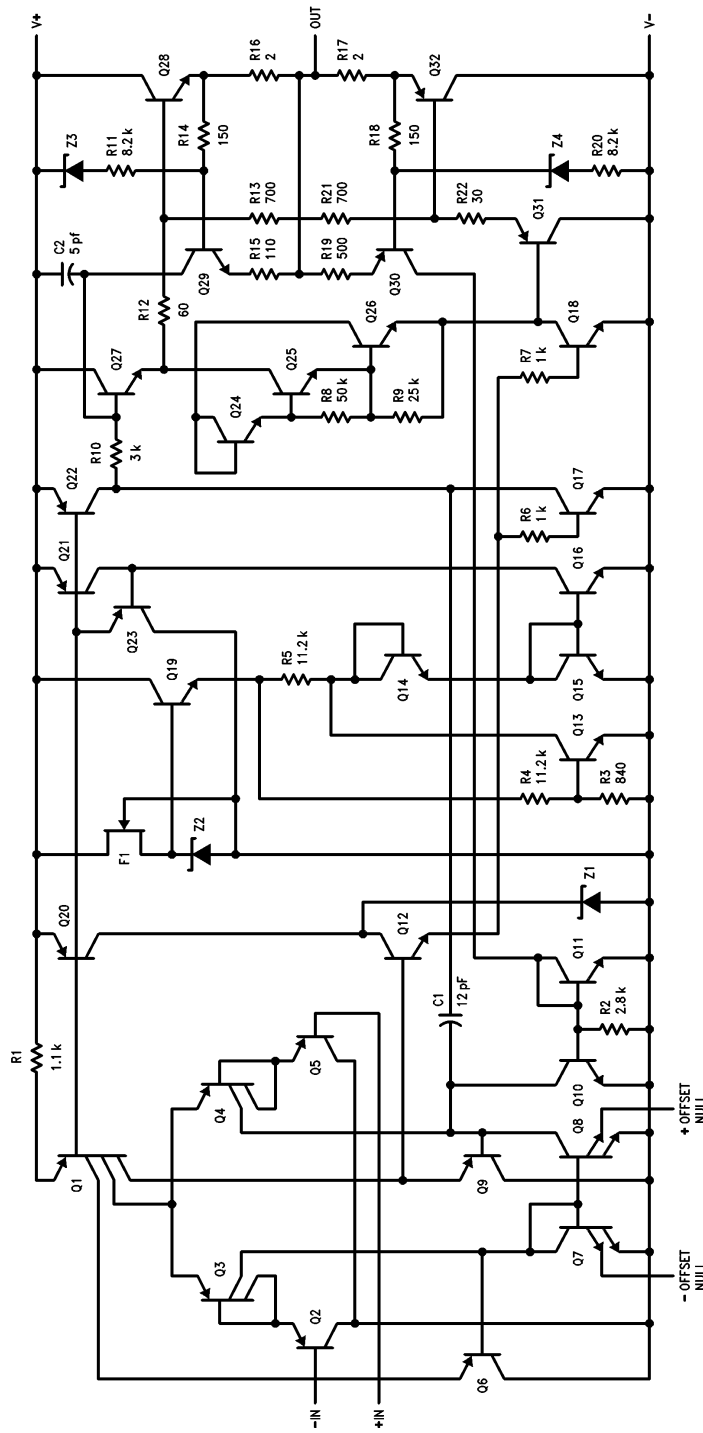
V_{IO}	Input Offset Voltage	$R_S \leq 10\text{ k}\Omega$			10	mV
I_{IO}	Input Offset Current				100	nA
I_{IB}	Input Bias Current				400	nA
CMR	Common Mode Rejection	$R_S \leq 10\text{ k}\Omega$	70	100		dB
PSRR	Power Supply Rejection Ratio	$R_S \leq 10\text{ k}\Omega$	80	100		dB
A_{VS}	Large Signal Voltage Gain	$R_L \geq 50\Omega$, $V_O = \pm 10\text{V}$	25	200		V/mV
V_{OP}	Output Voltage Swing	$R_L = 50\Omega$	± 10	± 12.5		V

Note 1: Although the internal power dissipation is limited, the junction temperature must be kept below the maximum specified temperature in order to meet data sheet specifications. To calculate the maximum junction temperature or heat sink required, use the thermal resistance values which follow the Equivalent Circuit Schematic.

Note 2: For a supply voltage less than 30V between V^+ and V^- , the absolute maximum input voltage is equal to the supply voltage.

Note 3: For military electrical specifications RETS759X are available for LM759H.

Equivalent Circuit



TL/H/10075-3

Note: All resistor values in ohms.

Package	Typ θ_{JC} °C/W	Max θ_{JC} °C/W	Typ θ_{JA} °C/W	Max θ_{JA} °C/W
Plastic Package (P)	8.0	12	75	80
Metal Can (H)	30	40	120	150

$$P_D \text{ Max} = \frac{T_{J \text{ Max}} - T_A}{\theta_{JC} + \theta_{CA}} \text{ or}$$

$$= \frac{T_{J \text{ Max}} - T_A}{\theta_{JA}} \text{ (without a heat sink)}$$

$$\theta_{CA} = \theta_{CS} + \theta_{SA}$$

Solving T_J :

$$T_J = T_A + P_D (\theta_{JC} + \theta_{CA}) \text{ or}$$

$$= T_A + P_D \theta_{JA} \text{ (without a heat sink)}$$

Where:

T_J = Junction Temperature

T_A = Ambient Temperature

P_D = Power Dissipation

θ_{JA} = Junction to ambient thermal resistance

θ_{JC} = Junction to case thermal resistance

θ_{CA} = Case to ambient thermal resistance

θ_{CS} = Case to heat sink thermal resistance

θ_{SA} = Heat sink to ambient thermal resistance

Mounting Hints

Metal Can Package (LM759CH/LM759MH)

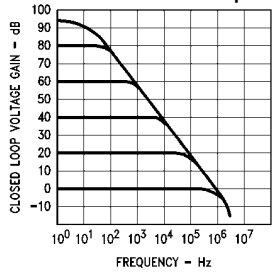
The LM759 in the 8-Lead TO-99 metal can package must be used with a heat sink. With $\pm 15V$ power supplies, the LM759 can dissipate up to 540 mW in its quiescent (no load) state. This would result in a 100°C rise in chip temperature to 125°C (assuming a 25°C ambient temperature). In order to avoid this problem, it is advisable to use either a slip on or stud mount heat sink with this package. If a stud mount heat sink is used, it may be necessary to use insulating washers between the stud and the chassis because the case of the LM759 is internally connected to the negative power supply terminal.

Plastic Package (LM759CP/LM7700CP)

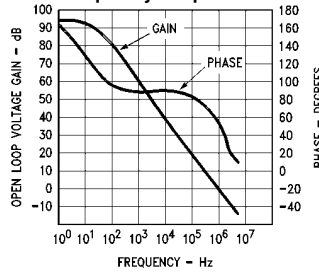
The LM759CP and LM7700CP are designed to be attached by the tab to a heat sink. This heat sink can be either one of the many heat sinks which are commercially available, a piece of metal such as the equipment chassis, or a suitable amount of copper foil as on a double sided PC board. The important thing to remember is that the negative power supply connection to the op amp must be made through the tab. Furthermore, adequate heat sinking must be provided to keep the chip temperature below 125°C under worst case load and ambient temperature conditions.

Typical Performance Characteristics

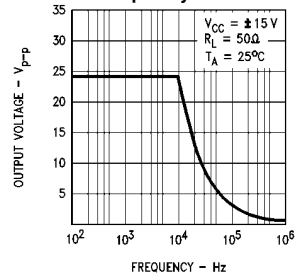
Frequency Response for Various Closed Loop Gains



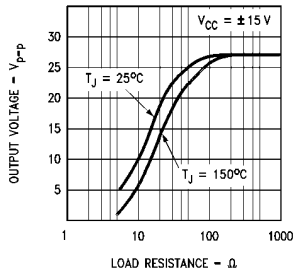
Open Loop vs Frequency Response



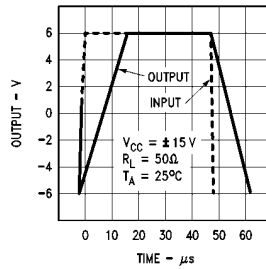
Output Voltage vs Frequency



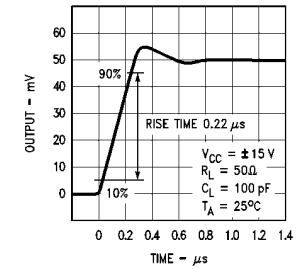
Output Voltage vs Load Resistance



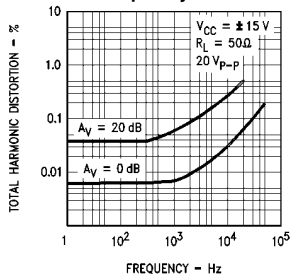
Voltage Follower Large Signal Pulse Response



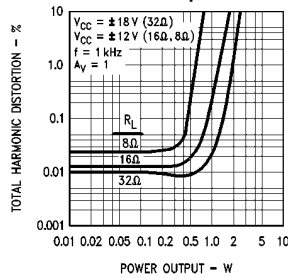
Voltage Follower Transient Response



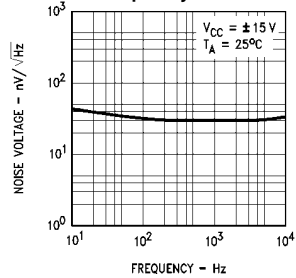
Total Harmonic Distortion vs Frequency



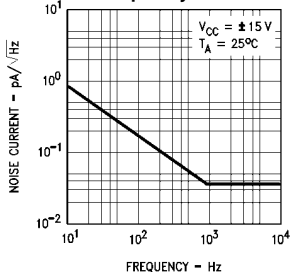
Total Harmonic Distortion vs Power Output



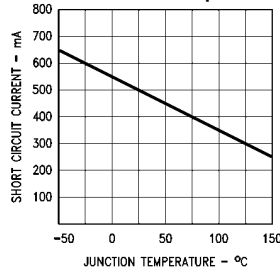
Input Noise Voltage vs Frequency



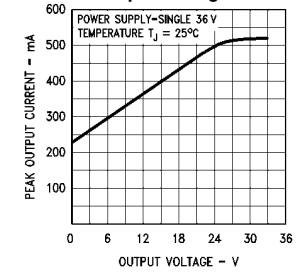
Noise Current vs Frequency



Short Circuit Current vs Junction Temperature



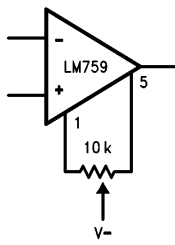
Peak Output Current vs Output Voltage



TL/H/10075-4

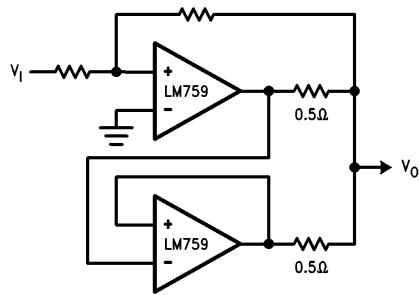
Applications

Offset Null Circuit



TL/H/10075-5

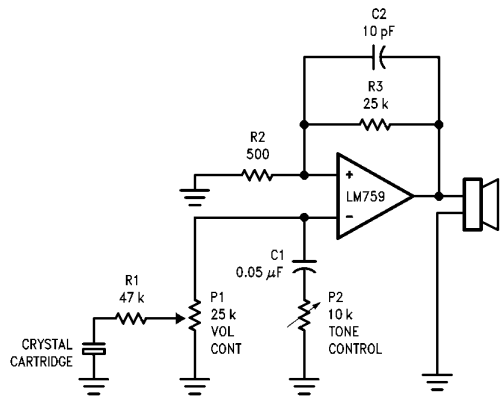
Paralleling LM759 Power Op Amps



TL/H/10075-6

Audio Applications

Low Cost Phono Amplifier

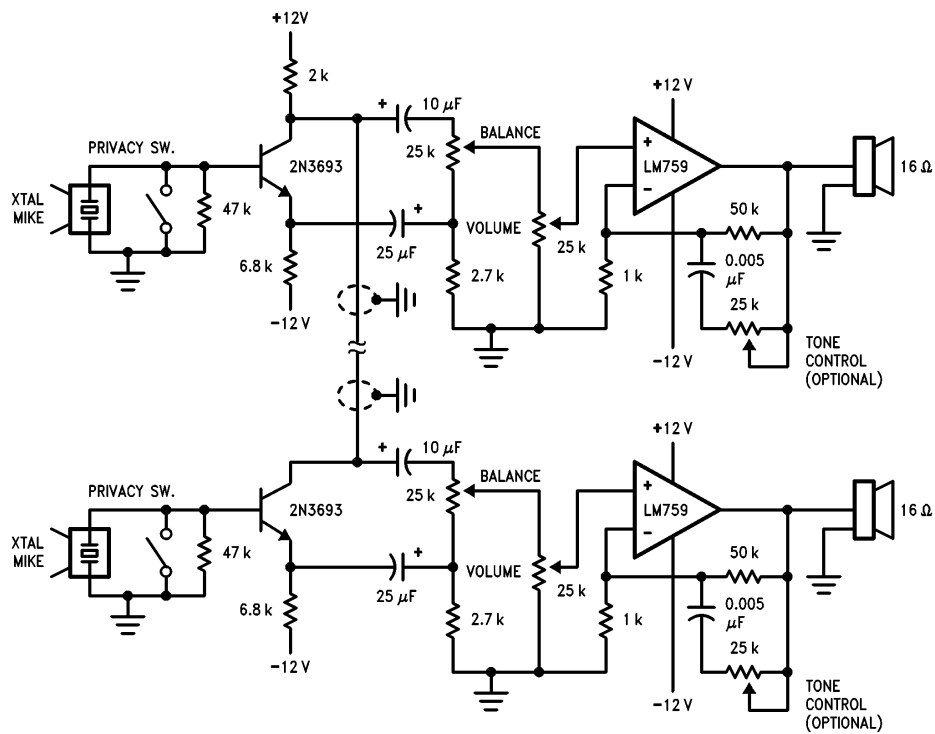


TL/H/10075-7

Speaker Impedance (Ohms)	Output Power (Watts)	Min Supply (Volts)	V_{OP-P} (Volts)
4	0.18	9	2.4
8	0.36	12	4.8
16	0.72	15	9.6
32	1.44	25	19.2

Applications (Continued)

Bi-Directional Intercom System Using the LM759 Power Op Amp



TL/H/10075-9

Features:

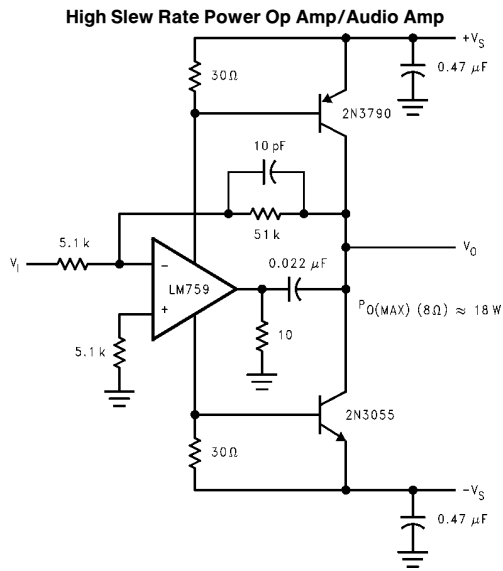
Circuit Simplicity

1 Watt of Audio Output

Duplex operation with only one two-wire cable as interconnect.

Note 1: All resistor values in ohms.

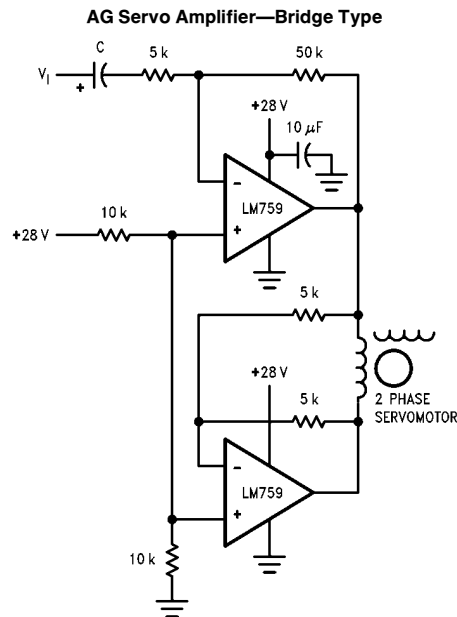
Applications (Continued)



Features:

High Slew Rate $9 \text{ V}/\mu\text{s}$
 High 3 dB Power Bandwidth 85 kHz
 18 Watts Output Power into an 8Ω load.
 Low Distortion—0.2%, 10 Vrms, 1 kHz into 8Ω
 Design Consideration
 $A_V \geq 10$

Servo Applications

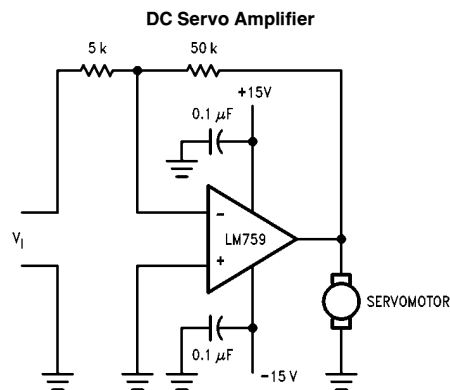


Features:

Gain of 10
 Use of LM759 Means Simple Inexpensive Circuit

Design Considerations:

325 mA Max Output Current

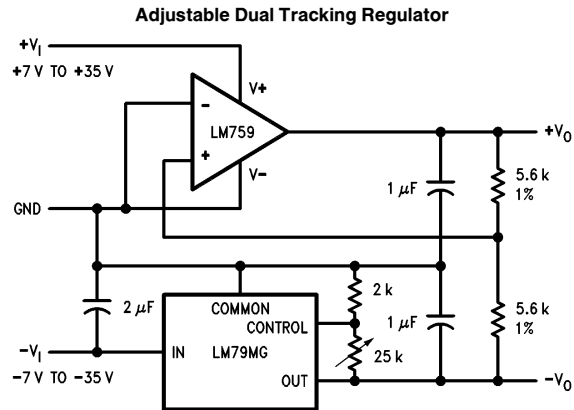


Features:

Circuit Simplicity
 One Chip Means Excellent Reliability
 Design Considerations
 $I_O \leq 325 \text{ mA}$

Note 1: All resistor values in ohms.

Regulator Applications



TL/H/10075-13

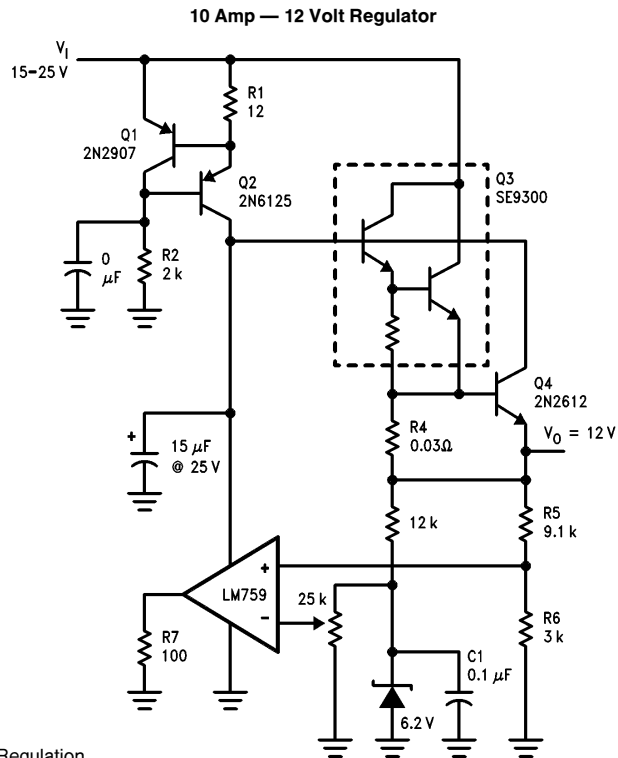
Features:

Wide Output Voltage Range ($\pm 2.2\text{V}$ to $\pm 30\text{V}$)

Excellent Load Regulation $\Delta V_O < \pm 5\text{ mV}$ for $\Delta I_O = \pm 0.2\text{ A}$

Excellent Line Regulation $\Delta V_O < \pm 2\text{ mV}$ for $\Delta V_I = 10\text{V}$

Note 1: All resistor values in ohms.



TL/H/10075-14

Features:

Excellent Load and Line Regulation

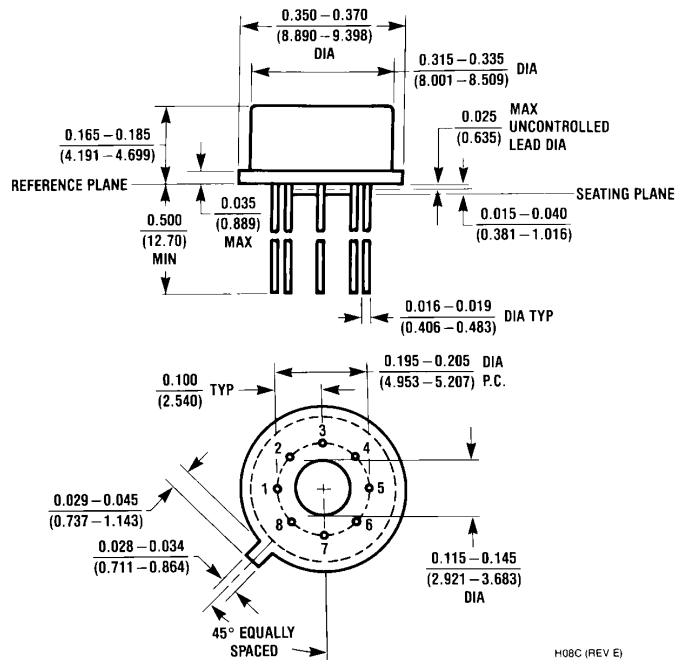
Excellent Temperature Coefficient-Depends

Largely on Tempco of the Reference Zener

Note 1: All resistor values in ohms.



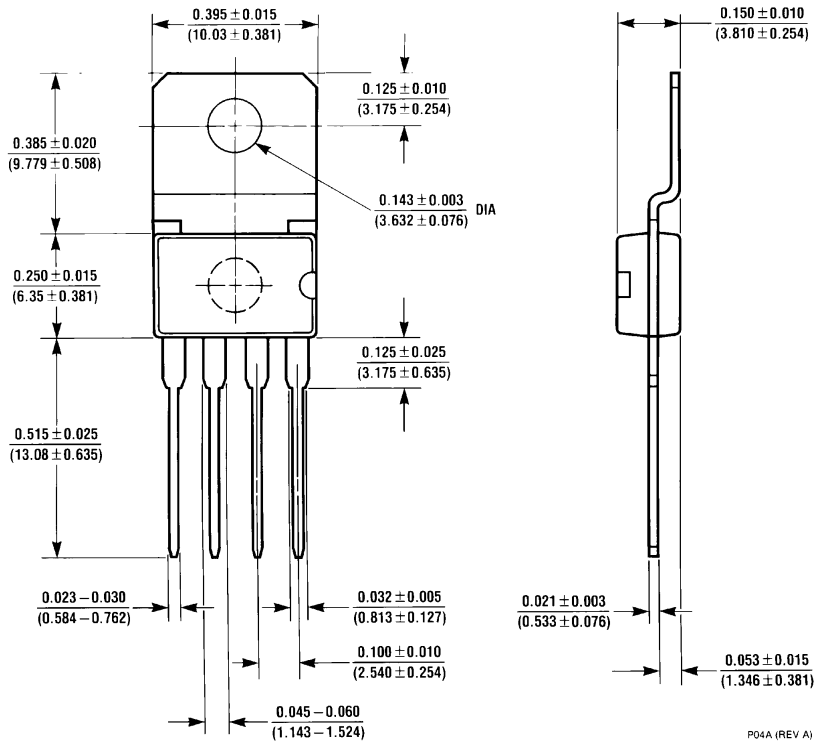
Physical Dimensions inches (millimeters)



H08C (REV E)

8-Lead Metal Package
Order Number LM759MH, LM759CH or LM759H/883
NS Package Number H08C

Physical Dimensions inches (millimeters) (Continued)



Order Number LM759CP or LM77000CP
NS Package Number P04A

P04A (REV A)

LIFE SUPPORT POLICY

NATIONAL'S PRODUCTS ARE NOT AUTHORIZED FOR USE AS CRITICAL COMPONENTS IN LIFE SUPPORT DEVICES OR SYSTEMS WITHOUT THE EXPRESS WRITTEN APPROVAL OF THE PRESIDENT OF NATIONAL SEMICONDUCTOR CORPORATION. As used herein:

1. Life support devices or systems are devices or systems which, (a) are intended for surgical implant into the body, or (b) support or sustain life, and whose failure to perform, when properly used in accordance with instructions for use provided in the labeling, can be reasonably expected to result in a significant injury to the user.
2. A critical component is any component of a life support device or system whose failure to perform can be reasonably expected to cause the failure of the life support device or system, or to affect its safety or effectiveness.



National Semiconductor Corporation
1111 West Bardin Road
Arlington, TX 76017
Tel: 1(800) 272-9959
Fax: 1(800) 737-7018

National Semiconductor Europe
Fax: (+49) 0-180-530 85 86
Email: cnjwge@tevm2.nsc.com
Deutsch Tel: (+49) 0-180-530 85 85
English Tel: (+49) 0-180-532 78 32
Français Tel: (+49) 0-180-532 93 58
Italiano Tel: (+49) 0-180-534 16 80

National Semiconductor Hong Kong Ltd.
19th Floor, Straight Block,
Ocean Centre, 5 Canton Rd.
Tsimshatsui, Kowloon
Hong Kong
Tel: (852) 2737-1600
Fax: (852) 2736-9960

National Semiconductor Japan Ltd.
Tel: 81-043-299-2309
Fax: 81-043-299-2408

National does not assume any responsibility for use of any circuitry described, no circuit patent licenses are implied and National reserves the right at any time without notice to change said circuitry and specifications.

Looking for pricing, stock, or lifecycle information?

Click below to explore more details on WIN SOURCE:

 [View LM759CH](#) on WIN SOURCE

 [Texas Instruments](#) Information

Optimize Your Supply Chain with WIN SOURCE Solutions

-  Global Sourcing Solution
-  Obsolete Management
-  Cost Control Management
-  Shortage Management
-  Alternative Solution
-  Excess Inventory Management