

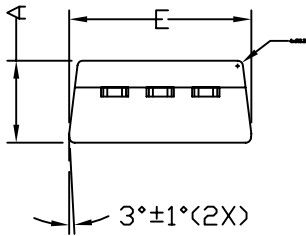
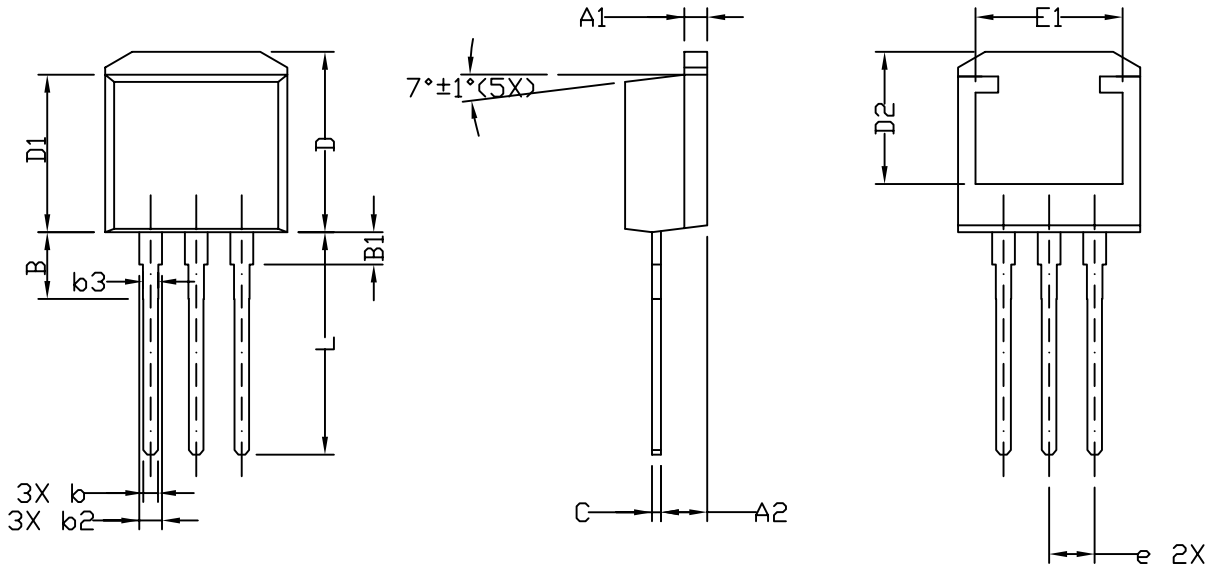


THE DATASHEET OF AOW418



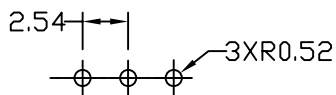


TO262 PACKAGE OUTLINE



SYMBOL	DIMENSIONAL REQMTS			INCHES REQMTS		
	MIN	NOM	MAX	MIN	NOM	MAX
A	4.30	4.57	4.72	0.169	0.180	0.186
A1	1.17	1.27	1.37	0.046	0.050	0.054
A2	2.47	2.57	2.67	0.097	0.101	0.105
B	3.55	3.72	3.90	0.140	0.146	0.154
B1	1.65	1.80	2.00	0.065	0.071	0.079
b	0.69	0.813	0.94	0.027	0.032	0.037
b2	1.17	1.27	1.45	0.046	0.050	0.057
b3	0.74	0.86	0.91	0.029	0.034	0.036
c	0.48	0.50	0.60	0.019	0.020	0.024
D	9.80	10.05	10.30	0.386	0.396	0.406
D1	8.64	8.78	9.65	0.340	0.346	0.380
D2	7.12	7.37	7.62	0.280	0.290	0.300
e	2.54 BSC			0.100 BSC		
E	9.70	10.15	10.54	0.382	0.400	0.415
E1	8.00	8.20	8.40	0.315	0.323	0.331
L	12.27	12.40	13.48	0.483	0.488	0.531

RECOMMENDED LAND PATTERN



NOTE

1. CONTROLLING DIMENSION IS MILLIMETER.
CONVERTED INCH DIMENSIONS ARE NOT NECESSARILY EXACT.

Looking for pricing, stock, or lifecycle information?

Click below to explore more details on WIN SOURCE:

- [View AOW418 on WIN SOURCE](#)
- [Alpha & Omega Semiconductor Inc. Information](#)

Optimize Your Supply Chain with WIN SOURCE Solutions

- ✓ Global Sourcing Solution
- ✓ Obsolete Management
- ✓ Cost Control Management
- ✓ Shortage Management
- ✓ Alternative Solution
- ✓ Excess Inventory Management