



**THE DATASHEET OF
MM74HC4316MTC**



MM74HC4316

Quad Analog Switch with Level Translator

General Description

The MM74HC4316 devices are digitally controlled analog switches implemented in advanced silicon-gate CMOS technology. These switches have low "ON" resistance and low "OFF" leakages. They are bidirectional switches, thus any analog input may be used as an output and vice-versa. Three supply pins are provided on the MM74HC4316 to implement a level translator which enables this circuit to operate with 0–6V logic levels and up to ±6V analog switch levels. The MM74HC4316 also has a common enable input in addition to each switch's control which when HIGH will disable all switches to their OFF state. All analog inputs and outputs and digital inputs are protected from electrostatic damage by diodes to V_{CC} and ground.

Features

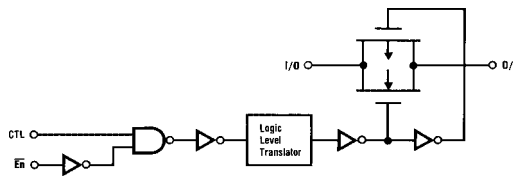
- Typical switch enable time: 20 ns
- Wide analog input voltage range: ±6V
- Low "ON" resistance:
50 typ. ($V_{CC}-V_{EE} = 4.5V$) 30 typ. ($V_{CC}-V_{EE} = 9V$)
- Low quiescent current: 80 μA maximum (74HC)
- Matched switch characteristics
- Individual switch controls plus a common enable

Ordering Code:

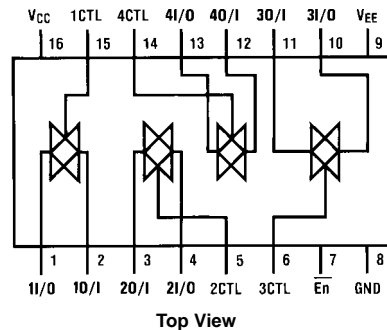
Order Number	Package Number	Package Description
MM74HC4316M	M16A	16-Lead Small Outline Integrated Circuit (SOIC), JEDEC MS-012, 0.150 Narrow
MM74HC4316SJ	M16D	16-Lead Small Outline Package (SOP), EIAJ TYPE II, 5.3mm Wide
MM74HC4316MTC	MTC16	16-Lead Thin Shrink Small Outline Package (TSSOP), JEDEC MO-153, 4.4mm Wide
MM74HC4316N	N16E	16-Lead Plastic Dual-In-Line Package (PDIP), JEDEC MS-001, 0.300 Wide

Devices also available in Tape and Reel. Specify by appending the suffix letter "X" to the ordering code.

Logic Diagram



Connection Diagram



Truth Table

Inputs		Switch
\overline{En}	CTL	I/O–O/I
H	X	"OFF"
L	L	"OFF"
L	H	"ON"

MM74HC4316 Quad Analog Switch with Level Translator

Absolute Maximum Ratings(Note 1)

(Note 2)

Supply Voltage (V_{CC})	-0.5 to +7.5V
Supply Voltage (V_{EE})	+0.5 to -7.5V
DC Control Input Voltage (V_{IN})	-1.5 to $V_{CC} + 1.5V$
DC Switch I/O Voltage (V_{IO})	$V_{EE} - 0.5$ to $V_{CC} + 0.5V$
Clamp Diode Current (I_{IK}, I_{OK})	± 20 mA
DC Output Current, per pin (I_{OUT})	± 25 mA
DC V_{CC} or GND Current, per pin (I_{CC})	± 50 mA
Storage Temperature Range (T_{STG})	-65°C to +150°C
Power Dissipation (P_D)	
(Note 3)	600 mW
S.O. Package only	500 mW
Lead Temperature (T_L)	
(Soldering 10 seconds)	260°C

Recommended Operating Conditions

	Min	Max	Units
Supply Voltage (V_{CC})	2	6	V
Supply Voltage (V_{EE})	0	-6	V
DC Input or Output Voltage (V_{IN}, V_{OUT})	0	V_{CC}	V
Operating Temperature Range (T_A)	-40	+85	°C
Input Rise or Fall Times (t_r, t_f)		1000	ns
		$V_{CC} = 2.0V$	
		$V_{CC} = 4.5V$	500 ns
		$V_{CC} = 6.0V$	400 ns
		$V_{CC} = 12.0V$	250 ns

Note 1: Absolute Maximum Ratings are those values beyond which damage to the device may occur.

Note 2: Unless otherwise specified all voltages are referenced to ground.

Note 3: Power Dissipation temperature derating — plastic "N" package: — 12 mW/°C from 65°C to 85°C.

DC Electrical Characteristics (Note 4)

Symbol	Parameter	Conditions	V_{EE}	V_{CC}	$T_A = 25^\circ C$			$T_A = -40$ to $85^\circ C$			$T_A = -55$ to $125^\circ C$			Units
					Typ	Guaranteed Limits		Typ	Guaranteed Limits		Typ	Guaranteed Limits		
V_{IH}	Minimum HIGH Level Input Voltage			2.0V		1.5	1.5	1.5	V					
				4.5V		3.15	3.15	3.15	V					
				6.0V		4.2	4.2	4.2	V					
V_{IL}	Maximum LOW Level Input Voltage			2.0V		0.5	0.5	0.5	V					
				4.5V		1.35	1.35	1.35	V					
				6.0V		1.8	1.8	1.8	V					
R_{ON}	Minimum "ON" Resistance (Note 5)	$V_{CTL} = V_{IH}, I_S = 2.0$ mA	GND	4.5V	100	170	200	220	Ω					
				-4.5V	40	85	105	110	Ω					
				-6.0V	30	70	85	90	Ω					
		$V_{IS} = V_{CC}$ or V_{EE}	GND	2.0V	100	180	215	240	Ω					
				4.5V	40	80	100	120	Ω					
				-4.5V	50	60	75	80	Ω					
6.0V	20	40	60	70	Ω									
R_{ON}	Maximum "ON" Resistance Matching	$V_{CTL} = V_{IH}$	GND	4.5V	10	15	20	20	Ω					
				-4.5V	5	10	15	15	Ω					
				-6.0V	5	10	15	15	Ω					
I_{IN}	Maximum Control Input Current	$V_{IN} = V_{CC}$ or GND	GND	6.0V		± 0.1	± 1.0	± 1.0	μA					
I_{IZ}	Maximum Switch "OFF" Leakage Current	$V_{OS} = V_{CC}$ or V_{EE}	GND	6.0V		± 60	± 600	± 600	nA					
				-6.0V		± 100	± 1000	± 1000	nA					
I_{IZ}	Maximum Switch "ON" Leakage Current	$V_{IS} = V_{CC}$ to V_{EE}	GND	6.0V		± 40	± 150	± 150	nA					
				-6.0V		± 60	± 300	± 300	nA					
I_{CC}	Maximum Quiescent Supply Current	$V_{IN} = V_{CC}$ or GND	GND	6.0V		2.0	20	40	μA					
				-6.0V		8.0	80	160	μA					

Note 4: For a power supply of 5V $\pm 10\%$ the worst case on resistances (R_{ON}) occurs for HC at 4.5V. Thus the 4.5V values should be used when designing with this supply. Worst case V_{IH} and V_{IL} occur at $V_{CC} = 5.5V$ and 4.5V respectively. (The V_{IH} value at 5.5V is 3.85V.) The worst case leakage current occurs for CMOS at the higher voltage and so the 5.5V values should be used.

Note 5: At supply voltages ($V_{CC} - V_{EE}$) approaching 2V the analog switch on resistance becomes extremely non-linear. Therefore it is recommended that these devices be used to transmit digital only when using these supply voltages.

AC Electrical Characteristics									
V _{CC} = 2.0V–6.0V, V _{EE} = 0V–6V, C _L = 50 pF (unless otherwise specified)									
Symbol	Parameter	Conditions	V _{EE}	V _{CC}	T _A = +25°C		T _A = –40°C to +85°C	T _A = –55°C to +125°C	Units
					Typ	Guaranteed Limits			
t _{PHL}	Maximum Propagation		GND	2.0V	25	50	63	75	ns
t _{PLH}	Delay Switch		GND	4.5V	5	10	13	15	ns
	In to Out		–4.5V	4.5V	4	8	12	14	ns
			–6.0V	6.0V	3	7	11	13	ns
t _{PZL}	Maximum Switch	R _L = 1 kΩ	GND	2.0V	30	165	206	250	ns
t _{PZH}	Turn "ON" Delay (Control)		GND	4.5V	20	35	43	53	ns
			–4.5V	4.5V	15	32	39	48	ns
			–6.0V	6.0V	14	30	37	45	ns
t _{PHZ}	Maximum Switch	R _L = 1 kΩ	GND	2.0V	45	250	312	375	ns
t _{PLZ}	Turn "OFF" Delay (Control)		GND	4.5V	25	50	63	75	ns
			–4.5V	4.5V	20	44	55	66	ns
			–6.0V	6.0V	20	44	55	66	ns
t _{PZL}	Maximum Switch		GND	2.0V	35	205	256	308	ns
t _{PZH}	Turn "ON" Delay (Enable)		GND	4.5V	20	41	52	62	ns
			–4.5V	4.5V	19	38	48	57	ns
			–6.0V	6.0V	18	36	45	54	ns
t _{PLZ}	Maximum Switch		GND	2.0V	58	265	330	400	ns
t _{PHZ}	Turn "OFF" Delay (Enable)		GND	4.5V	28	53	67	79	ns
			–4.5V	4.5V	23	47	59	70	ns
			–6.0V	6.0V	21	47	59	70	ns
f _{MAX}	Minimum Frequency Response (Figure 7)	R _L = 600Ω, V _{IS} = 2V _{PP} at (V _{CC} –V _{EE} /2) (Note 6) (Note 7)	0V	4.5V	40				MHz
	20 log (V _{OS} /V _{IS}) = –3 dB		–4.5V	4.5V	100				MHz
	Control to Switch Feedthrough Noise (Figure 8)	R _L = 600Ω, F = 1 MHz C _L = 50 pF (Note 7) (Note 8)	0V	4.5V	100				mV
			–4.5V	4.5V	250				mV
	Crosstalk Between any Two Switches (Figure 9)	R _L = 600Ω, F = 1 MHz	0V	4.5V	–52				dB
			–4.5V	4.5V	–50				dB
	Switch OFF Signal Feedthrough Isolation (Figure 10)	R _L = 600Ω, F = 1 MHz V _{CTL} = V _{IL} (Note 7) (Note 8)	0V	4.5V	–42				dB
			–4.5V	4.5V	–44				dB
THD	Sinewave Harmonic Distortion (Figure 11)	R _L = 10 KΩ, C _L = 50 pF, F = 1 KHz V _{IS} = 4V _{PP} V _{IS} = 8V _{PP}	0V	4.5V	0.013				%
			–4.5V	4.5V	0.008				%
C _{IN}	Maximum Control Input Capacitance				5				pF
C _{IN}	Maximum Switch Input Capacitance				35				pF
C _{IN}	Maximum Feedthrough Capacitance	V _{CTL} = GND			0.5				pF
C _{PD}	Power Dissipation Capacitance				15				pF

Note 6: Adjust 0 dBm for F = 1 KHz (Null R_L/Ron Attenuation).

Note 7: V_{IS} is centered at V_{CC}–V_{EE}/2.

Note 8: Adjust for 0 dBm.

AC Test Circuits and Switching Time Waveforms

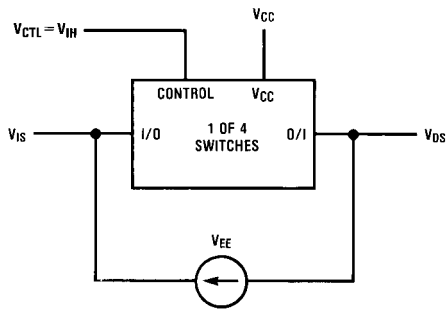


FIGURE 1. "ON" Resistance

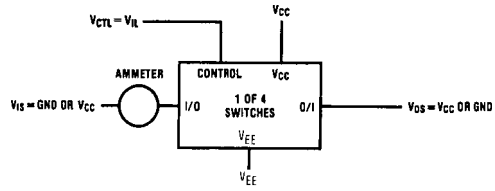


FIGURE 2. "OFF" Channel Leakage Current

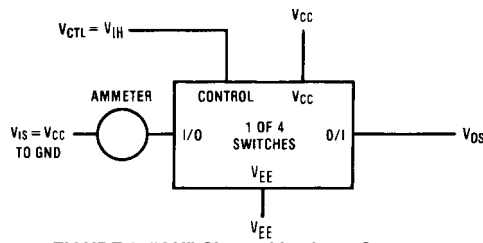


FIGURE 3. "ON" Channel Leakage Current

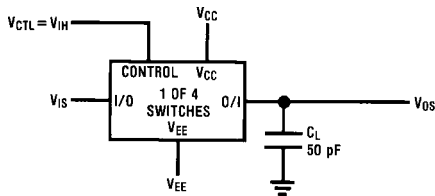


FIGURE 4. t_{PHL} , t_{PLH} Propagation Delay Time Signal Input to Signal Output

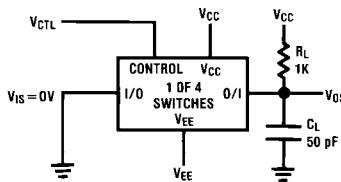
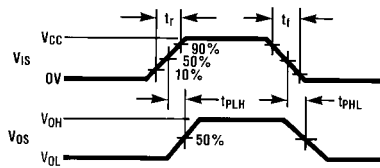


FIGURE 5. t_{PZL} , t_{PLZ} Propagation Delay Time Control to Signal Output

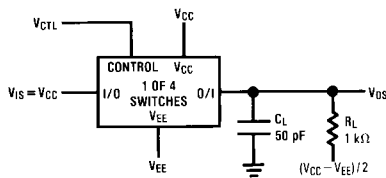
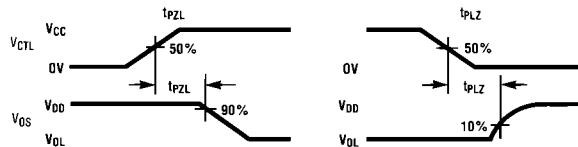
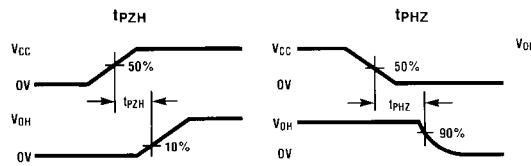


FIGURE 6. t_{PZH} , t_{PHZ} Propagation Delay Time Control to Signal Output



AC Test Circuits and Switching Time Waveforms (Continued)

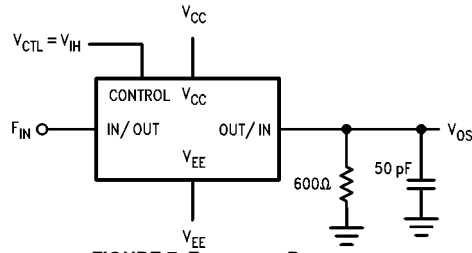


FIGURE 7. Frequency Response

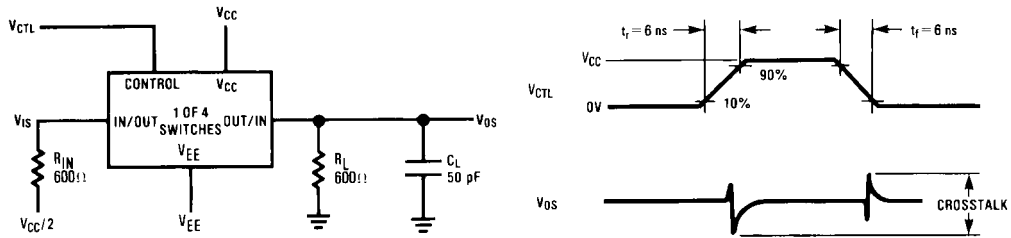


FIGURE 8. Crosstalk: Control Input to Signal Output

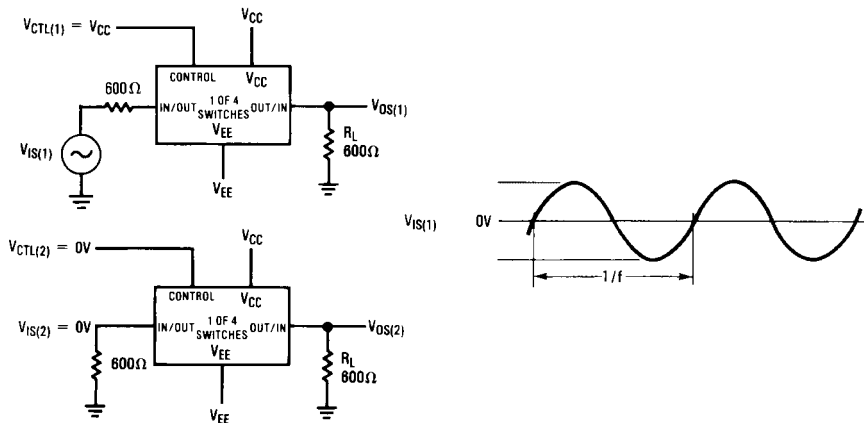


FIGURE 9. : Crosstalk Between Any Two Switches

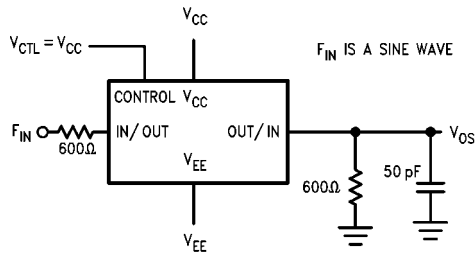


FIGURE 10. Switch OFF Signal Feedthrough Isolation

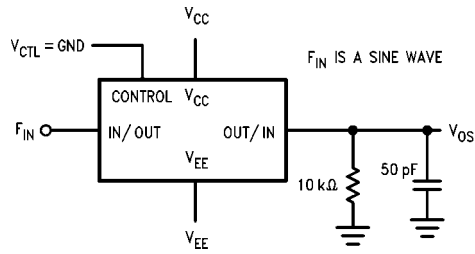
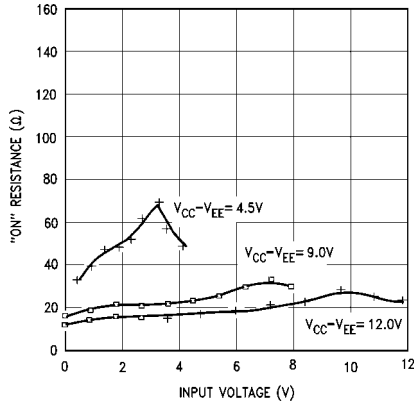


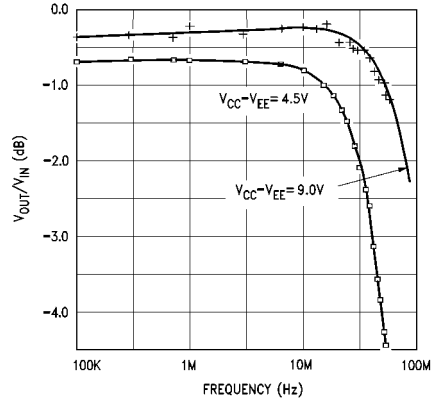
FIGURE 11. Sinewave Distortion

Typical Performance Characteristics

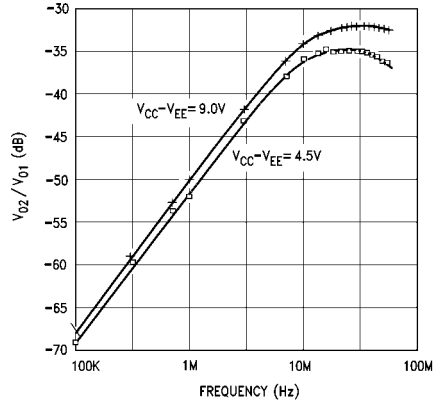
Typical "ON" Resistance



Typical Crosstalk Between Any Two Switches



Typical Frequency Response

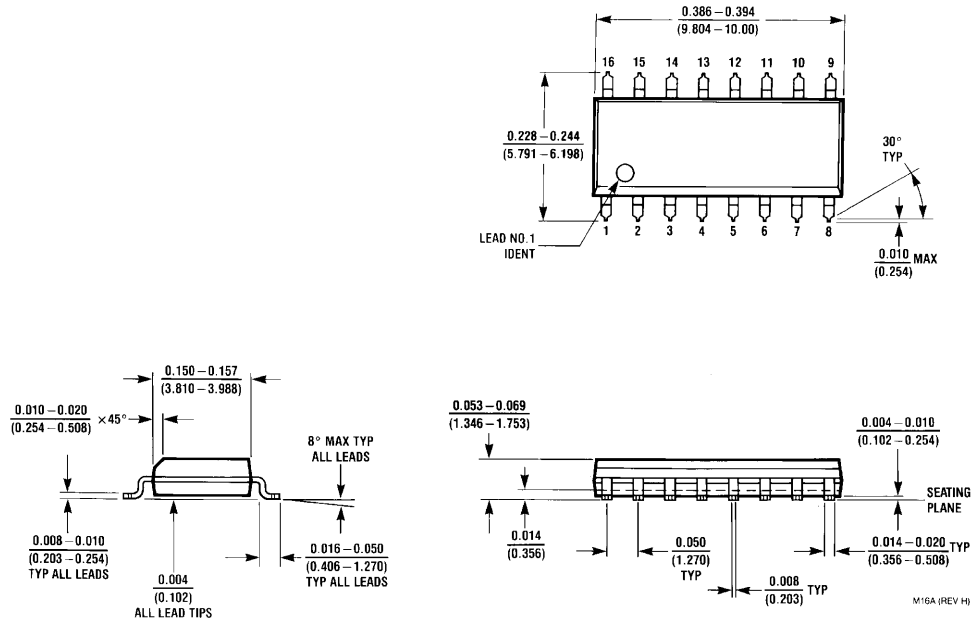


Special Considerations

In certain applications the external load-resistor current may include both V_{CC} and signal line components. To avoid drawing V_{CC} current when switch current flows into

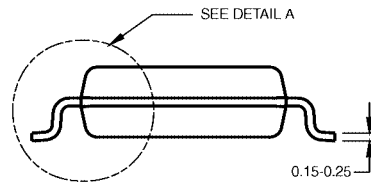
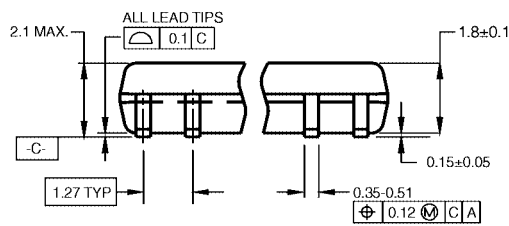
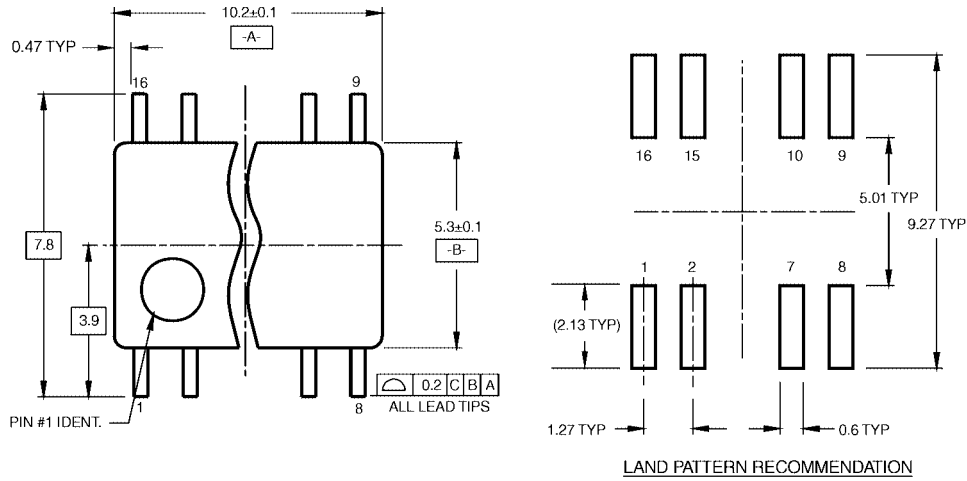
the analog switch input pins, the voltage drop across the switch must not exceed 0.6V (calculated from the On Resistance).

Physical Dimensions inches (millimeters) unless otherwise noted



**16-Lead Small Outline Integrated Circuit (SOIC), JEDEC MS-012, 0.150 Narrow
Package Number M16A**

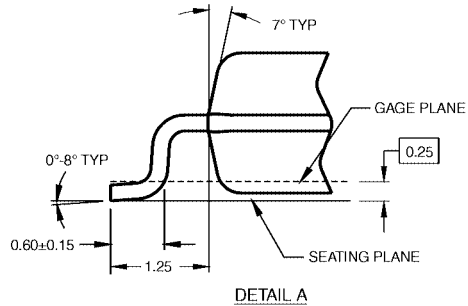
Physical Dimensions inches (millimeters) unless otherwise noted (Continued)



DIMENSIONS ARE IN MILLIMETERS

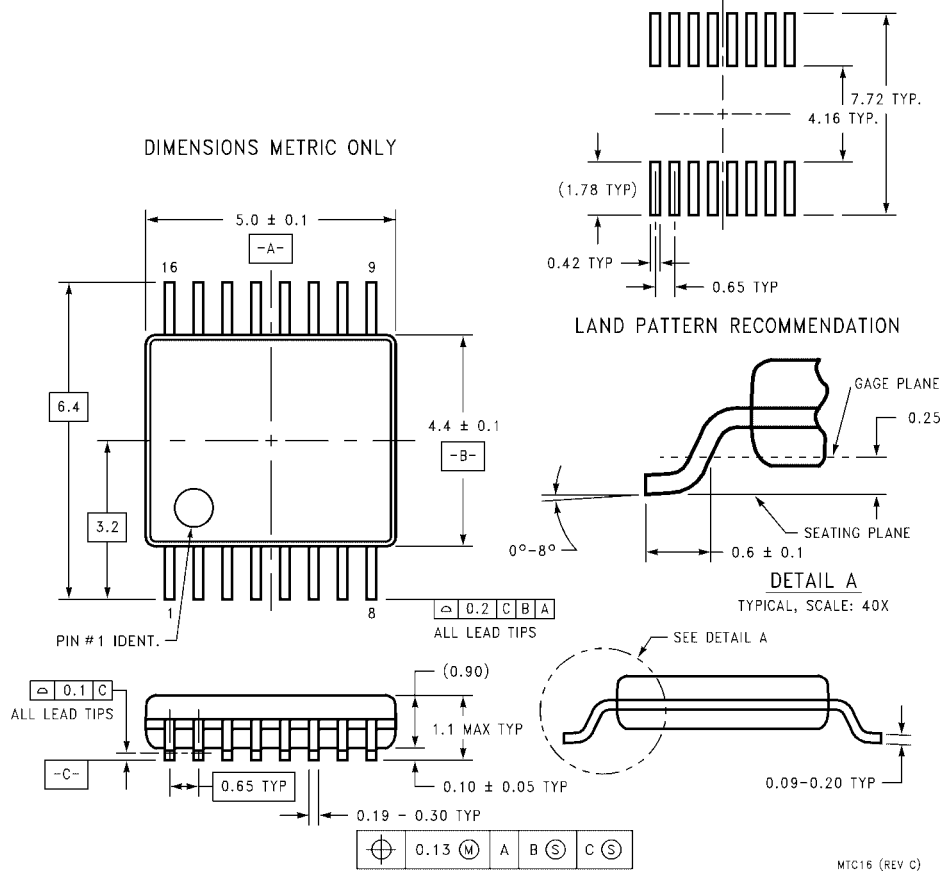
- NOTES:
 A. CONFORMS TO EIAJ EDR-7320 REGISTRATION, ESTABLISHED IN DECEMBER, 1998.
 B. DIMENSIONS ARE IN MILLIMETERS.
 C. DIMENSIONS ARE EXCLUSIVE OF BURRS, MOLD FLASH, AND TIE BAR EXTRUSIONS.

M16DRevB1



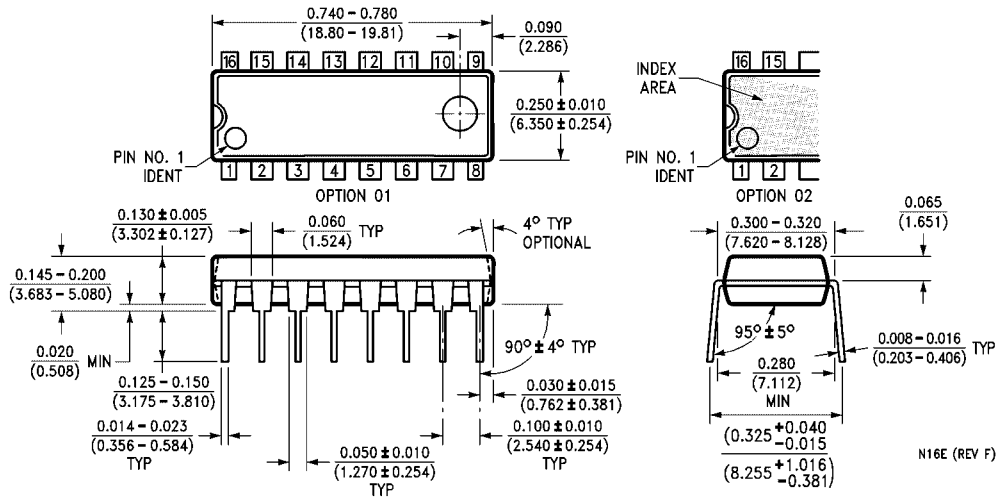
16-Lead Small Outline Package (SOP), EIAJ TYPE II, 5.3mm Wide Package Number M16D

Physical Dimensions inches (millimeters) unless otherwise noted (Continued)



**16-Lead Thin Shrink Small Outline Package (TSSOP), JEDEC MO-153, 4.4mm Wide
Package Number MTC16**

Physical Dimensions inches (millimeters) unless otherwise noted (Continued)



16-Lead Plastic Dual-In-Line Package (PDIP), JEDEC MS-001, 0.300 Wide Package Number N16E

Fairchild does not assume any responsibility for use of any circuitry described, no circuit patent licenses are implied and Fairchild reserves the right at any time without notice to change said circuitry and specifications.

LIFE SUPPORT POLICY



FAIRCHILD'S PRODUCTS ARE NOT AUTHORIZED FOR USE AS CRITICAL COMPONENTS IN LIFE SUPPORT DEVICES OR SYSTEMS WITHOUT THE EXPRESS WRITTEN APPROVAL OF THE PRESIDENT OF FAIRCHILD SEMICONDUCTOR CORPORATION. As used herein:

1. Life support devices or systems are devices or systems which, (a) are intended for surgical implant into the body, or (b) support or sustain life, and (c) whose failure to perform when properly used in accordance with instructions for use provided in the labeling, can be reasonably expected to result in a significant injury to the user.
2. A critical component in any component of a life support device or system whose failure to perform can be reasonably expected to cause the failure of the life support device or system, or to affect its safety or effectiveness.

www.fairchildsemi.com

Looking for pricing, stock, or lifecycle information?

Click below to explore more details on WIN SOURCE:

-  [View MM74HC4316MTC on WIN SOURCE](#)
-  [Fairchild/ON Semiconductor Information](#)

Optimize Your Supply Chain with WIN SOURCE Solutions

-  Global Sourcing Solution
-  Obsolete Management
-  Cost Control Management
-  Shortage Management
-  Alternative Solution
-  Excess Inventory Management