



**THE DATASHEET OF
AP1501-12K5G-13**



Description

The AP1501 is a fully integrated step-down DC/DC converter, with the ability to drive 3A load without the need of additional driver components. The AP1501 operates at a switching frequency of 150kHz enabling the use of small size filter components. As a result, board space is reduced and BOM costs are lowered.

The AP1501 has integrated the shutdown function that allows standby mode to be activated via an external logic signal input. The internal compensation facilitates feedback control for line and load regulation without the need of an external circuitry. The AP1501 has a built-in Thermal shutdown and Current Limit function to prevent damage from high operating temperature and high current operating to the output switch.

Additional features include a guaranteed +/- 4% tolerance on the output voltage under specified input and output load conditions, and +/- 15% on oscillator frequency. The AP1501 offers both fixed and adjustable output voltages. For fixed outputs the AP1501 supports 3.3V, 5.0V and 12V. The package options available are standard 5-lead TO263 and TO220 packages.

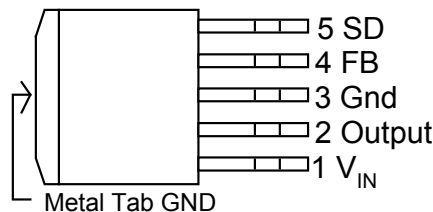
Features

- Output Voltage: 3.3V, 5V, 12V and Adjustable Output Version
- Adjustable Version Output Voltage Range, 1.23V to 37V+4%
- 150kHz +15% Fixed Switching Frequency
- Voltage Mode Non-Synchronous PWM Control
- Thermal-Shutdown and Current-Limit Protection
- ON/OFF Shutdown Control Input
- Operating Voltage can be up to 40V
- Output Load Current: 3A
- Low Power Standby Mode
- Built-In Switching Transistor on Chip
- TO263-5 and TO220-5 Packages
- **Totally Lead-Free & Fully RoHS Compliant (Notes 1 & 2)**
- **Halogen- and Antimony-Free. "Green" Device (Note 3)**
- **For automotive applications requiring specific change control (i.e. parts qualified to AEC-Q100/101/200, PPAP capable, and manufactured in IATF 16949 certified facilities), please [contact us](#) or your local Diodes representative.**
<https://www.diodes.com/quality/product-definitions/>

Notes: 1. No purposely added lead. Fully EU Directive 2002/95/EC (RoHS), 2011/65/EU (RoHS 2) & 2015/863/EU (RoHS 3) compliant.
2. See <https://www.diodes.com/quality/lead-free/> for more information about Diodes Incorporated's definitions of Halogen- and Antimony-free, "Green" and Lead-free.
3. Halogen- and Antimony-free "Green" products are defined as those which contain <900ppm bromine, <900ppm chlorine (<1500ppm total Br + Cl) and <1000ppm antimony compounds.

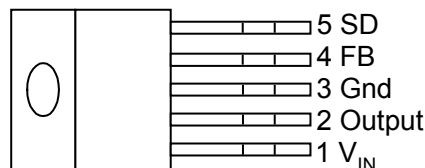
Pin Assignments

(Top View)



TO263-5L

(Top View)



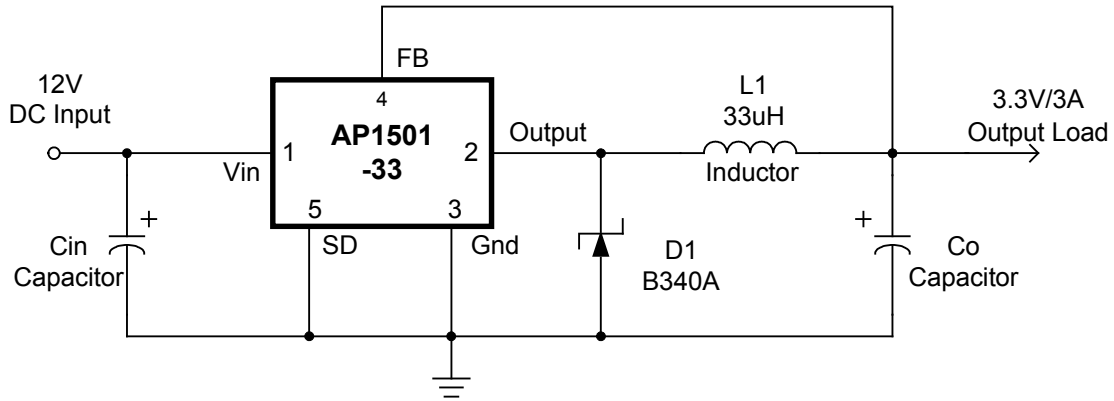
TO220-5L

Applications

- Simple High-Efficiency Step-Down Regulator
- On-Card Switching Regulators
- Positive to Negative Converter

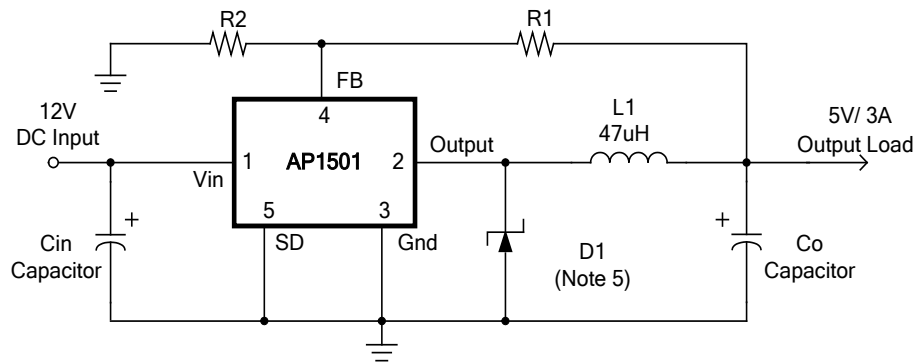
Typical Applications Circuit

(1) Fixed Type Circuit



Typical Applications Circuit (continued)

(2) Adjustable Type Circuit

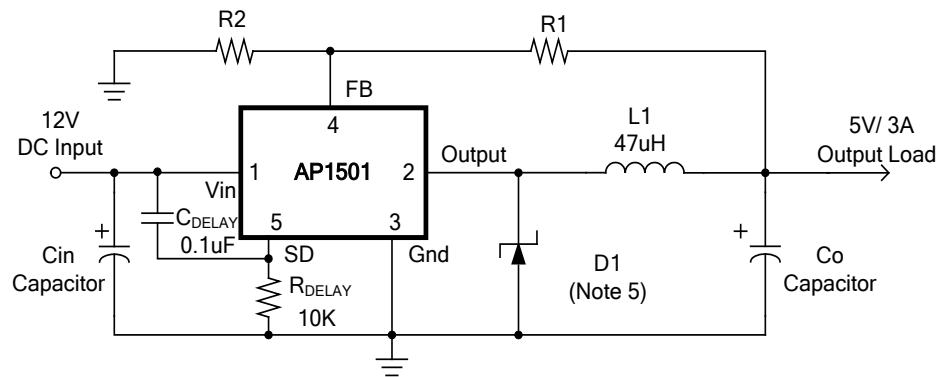


$$V_{out} = V_{FB} \times \left(1 + \frac{R1}{R2}\right)$$

$$V_{FB} = 1.23V$$

$$R2 = 1K \sim 3K$$

(3) Delay Start Circuit

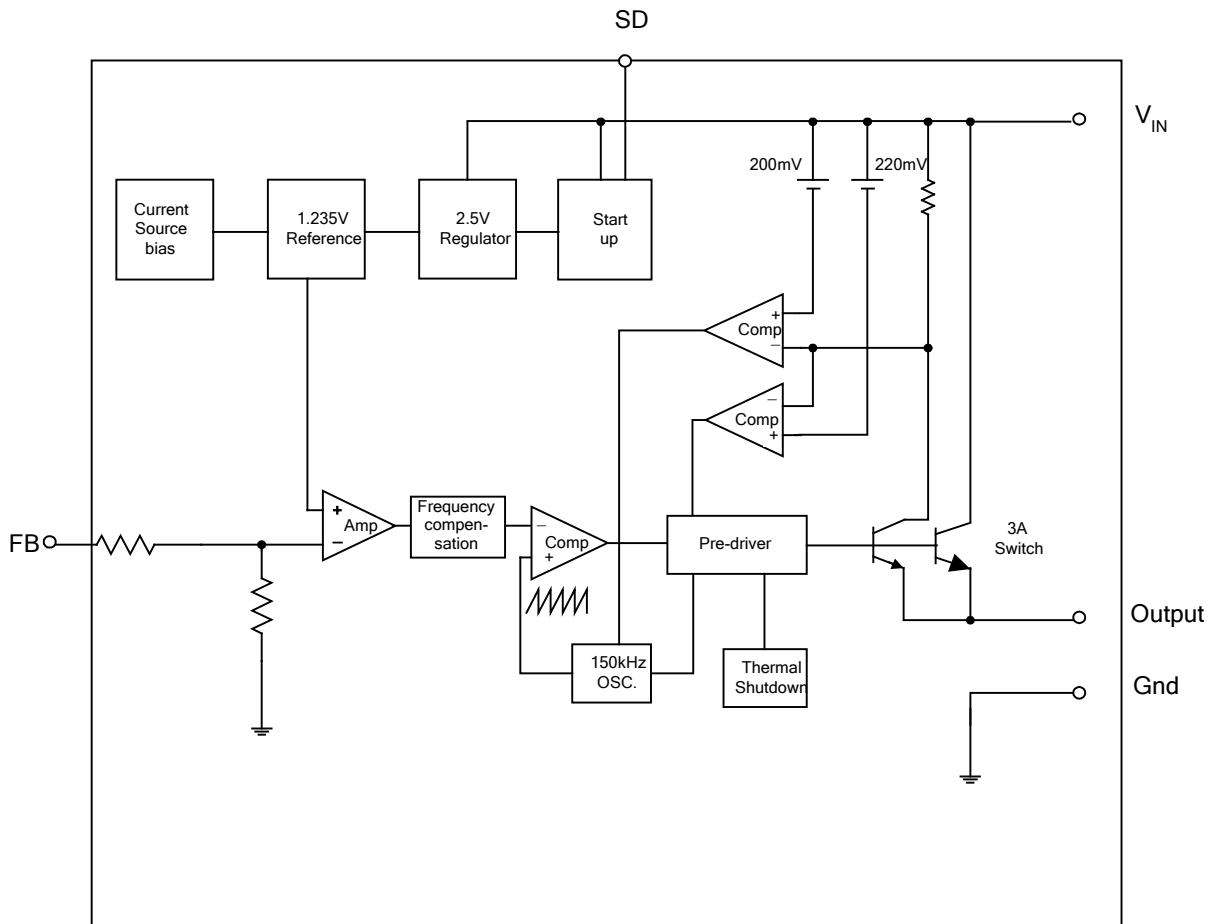


Note: Suggested Diodes Incorporated's Power Schottky: B340A or PDS340 series.

Pin Descriptions

Name	Description
V _{IN}	Operating Voltage Input
Output	Switching Output
Gnd	Ground
FB	Output Voltage Feedback Control
SD	ON/OFF Shutdown

Functional Block Diagram



Absolute Maximum Ratings

Symbol	Parameter	Rating	Unit
ESD MM	Machine Model ESD Protection	400	V
V _{CC}	Supply Voltage	+45	V
V _{SD}	ON/OFF Pin Input Voltage	-0.3 to +40	V
V _{FB}	Feedback Pin Voltage	-0.3 to +40	V
V _{OUT}	Output Voltage to Ground	-1	V
P _D	Power Dissipation	Internally Limited	W
T _{ST}	Storage Temperature	-65 to +150	°C
T _J	Operating Junction Temperature	-20 to +125	°C
T _{MJ}	Maximum Junction Temperature	+150	°C

Electrical Characteristics (@ $T_A = +25^\circ\text{C}$, unless otherwise specified.)

Unless otherwise specified, $V_{IN} = 12\text{V}$ for 3.3V, 5V, adjustable version and $V_{IN} = 24\text{V}$ for the 12V version. $I_{LOAD} = 0.5\text{A}$
 Specifications with **boldface type** are for full operating temperature range, the other type are for $T_J = +25^\circ\text{C}$.

Symbol	Parameter		Conditions	Min	Typ.	Max	Unit
I_{FB}	Feedback Bias Current		$V_{FB} = 1.3\text{V}$ (Adjustable Version Only) (Note 4)	—	40	60	nA
						100	
F_{OSC}	Oscillator Frequency		—	127	150	173	kHz
				110	—	173	
V_{SAT}	Saturation Voltage		$I_{OUT} = 3\text{A}$ No Outside Circuit $V_{FB} = 0\text{V}$ Force Driver On	—	1.3	1.4	V
						1.5	
DC	Max. Duty Cycle (ON)		$V_{FB} = 0\text{V}$ Force Driver On	—	100	—	%
	Min. Duty Cycle (OFF)		$V_{FB} = 12\text{V}$ Force Driver Off	—	0	—	
I_{CL}	Current Limit		Peak Current No Outside Circuit $V_{FB} = 0\text{V}$ Force Driver On	3.6	4.0	5.5	A
						6.5	
I_L	Output = 0	Output Leakage Current	—	—	200	200	μA
	Output = -1		—	2	60	60	mA
I_Q	Quiescent Current		$V_{FB} = 12\text{V}$ Force Driver Off	—	5	10	mA
I_{STBY}	Standby Quiescent Current		ON/OFF Pin = 5V $V_{IN} = 40\text{V}$	—	150	250	μA
						350	
V_{IL}	ON/OFF Pin Logic Input Threshold Voltage		Low (Regulator ON)	—	1.3	0.6	V
V_{IH}			High (Regulator OFF)	2.0		—	
I_H	ON/OFF Pin Logic Input Current		$V_{LOGIC} = 2.5\text{V}$ (OFF)	—	15	25	μA
I_L	ON/OFF Pin Input Current		$V_{LOGIC} = 0.5\text{V}$ (ON)	—	0.02	5	
θ_{JA}	Thermal Resistance Junction to Ambient		TO263-5 (Note 5)	—	37	—	$^\circ\text{C/W}$
			TO220-5 (Note 5)	—	31	—	
θ_{JC}	Thermal Resistance Junction to Case		TO263-5 (Note 5)	—	6	—	$^\circ\text{C/W}$
			TO220-5 (Note 5)	—	5	—	

Notes: 4. Feedback pin removed from output and connected to 0V to force the output transistor switch ON. Feedback pin removed from output and connected to 12V for the 3.3V, 5V, and the ADJ. version, and 15V for the 12V version, to force the output transistor switch OFF.
 5. Test condition: Device mounted with copper area of approximately 3 in^2 , 1oz, no air flow.

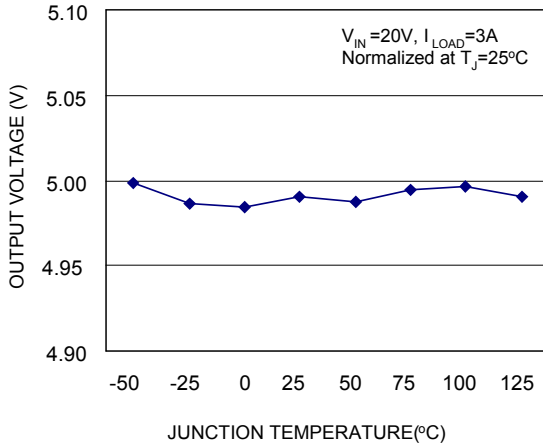
Electrical Characteristics (continued) (@ $T_A = +25^\circ\text{C}$, unless otherwise specified.)

Specifications with **boldface type** are for full operating temperature range, the other type are for $T_J = +25^\circ\text{C}$.

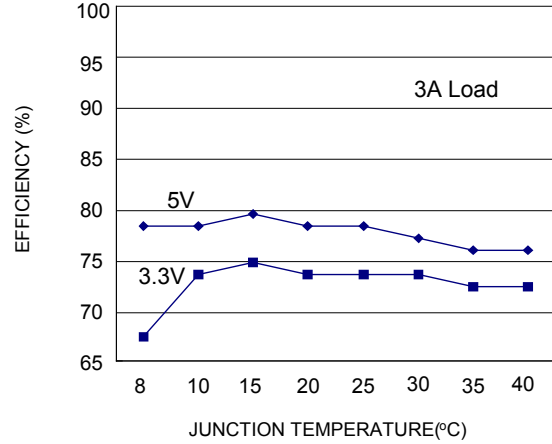
—	Symbol	Parameter	Conditions	V_{Min}	Typ.	V_{Max}	Unit
AP1501-ADJ	V_{FB}	Output Feedback	$4.5\text{V} \leq V_{\text{IN}} \leq 40\text{V}$ $0.2\text{A} \leq I_{\text{LOAD}} \leq 3\text{A}$ V_{OUT} programmed for 3V	1.193 1.18	1.23	1.267 1.28	V
	η	Efficiency	$V_{\text{IN}} = 12\text{V}$, $I_{\text{LOAD}} = 3\text{A}$	—	73	—	%
AP1501-3.3V	V_{OUT}	Output Voltage	$4.75\text{V} \leq V_{\text{IN}} \leq 40\text{V}$ $0.2\text{A} \leq I_{\text{LOAD}} \leq 3\text{A}$	3.168 3.135	3.3	3.432 3.465	V
	η	Efficiency	$V_{\text{IN}} = 12\text{V}$, $I_{\text{LOAD}} = 3\text{A}$	—	73	—	%
AP1501-5V	V_{OUT}	Output Voltage	$7\text{V} \leq V_{\text{IN}} \leq 40\text{V}$ $0.2\text{A} \leq I_{\text{LOAD}} \leq 3\text{A}$	4.8 4.75	5	5.2 5.25	V
	η	Efficiency	$V_{\text{IN}} = 12\text{V}$, $I_{\text{LOAD}} = 3\text{A}$	—	80	—	%
AP1501-12V	V_{OUT}	Output Voltage	$15\text{V} \leq V_{\text{IN}} \leq 40\text{V}$ $0.2\text{A} \leq I_{\text{LOAD}} \leq 3\text{A}$	11.52 11.4	12	12.48 12.6	V
	η	Efficiency	$V_{\text{IN}} = 15\text{V}$, $I_{\text{LOAD}} = 3\text{A}$	—	90	—	%

Performance Characteristics

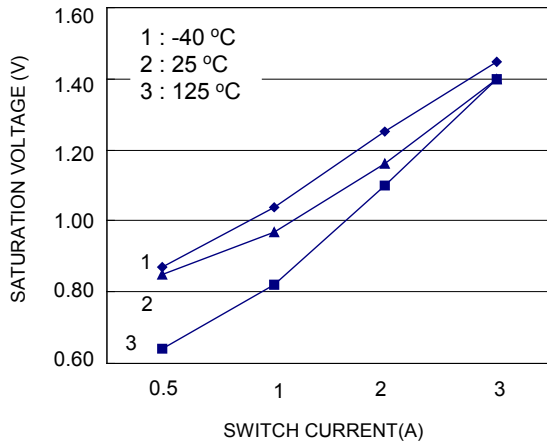
Typical Performance Characteristics
Normalized Output Voltage



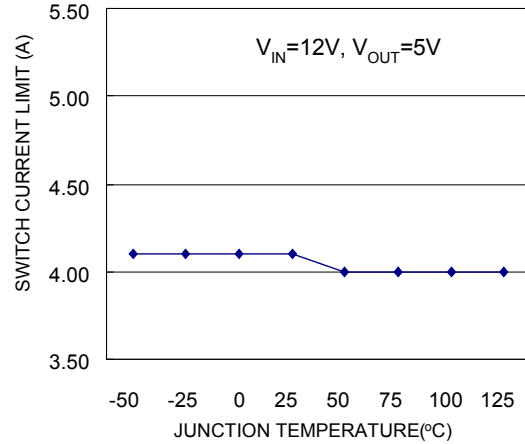
Efficiency



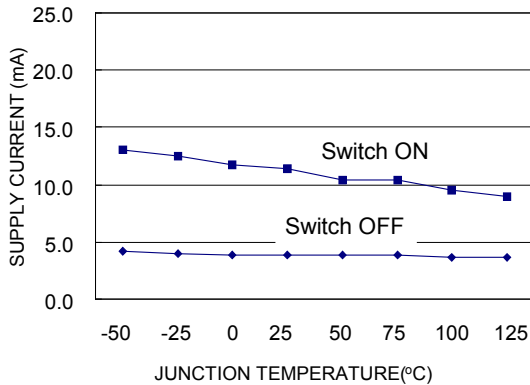
Switch Saturation Voltage



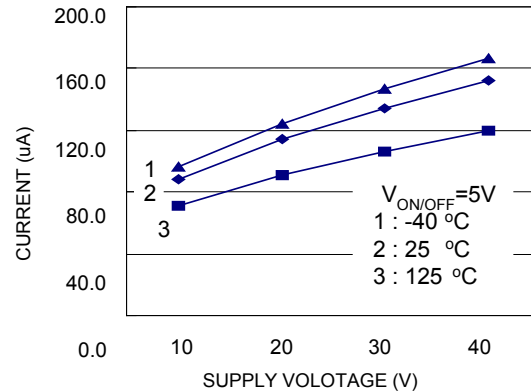
Switch Current Limit



Operating Quiescent Current

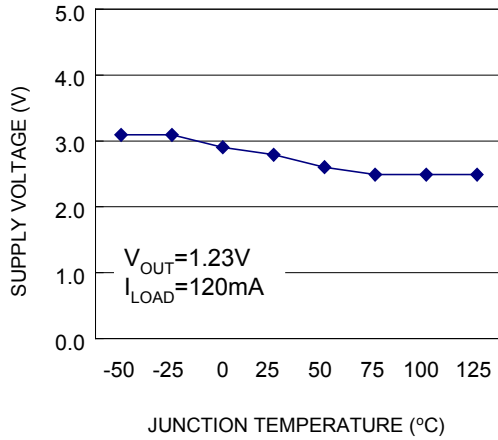


Shutdown Quiescent Current

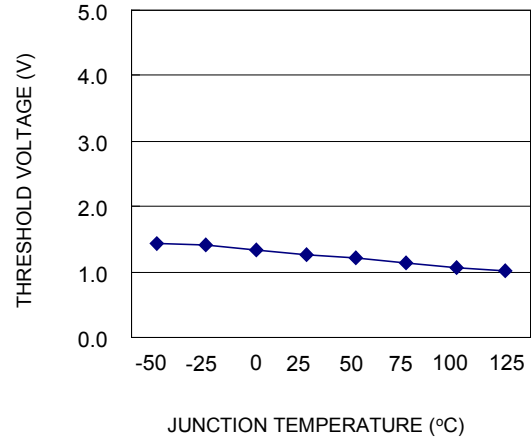


Performance Characteristics (continued)

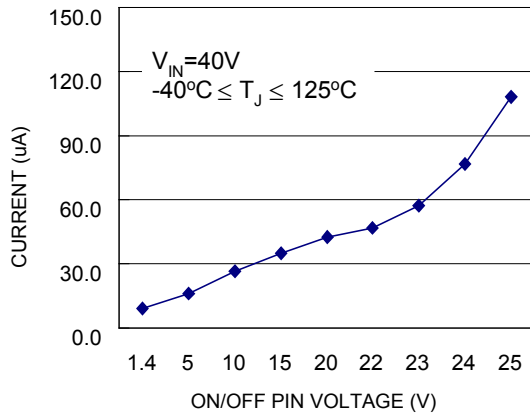
Minimum Operating Supply Voltage



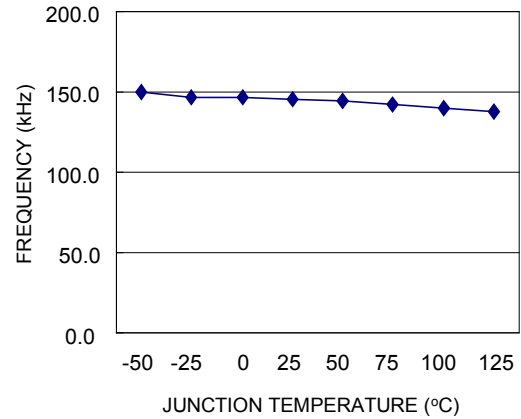
ON/OFF Threshold Voltage



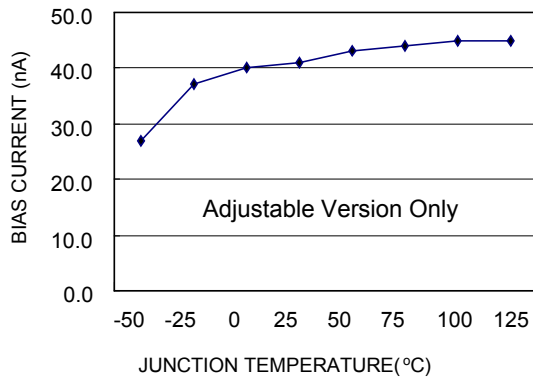
ON/OFF Pin Current (Sinking)



Switch Frequency



Feedback Pin Bias Current



Operation Description

Pin Functions

+V_{IN}

This is the positive input supply for the IC switching regulator. A suitable input bypass capacitor must be present at this pin to minimize voltage transients and to supply the switching currents needed by the regulator.

Ground

Circuit ground.

Output

Internal switch. The voltage at this pin switches between (+V_{IN} – V_{SAT}) and approximately – 0.5V, with a duty cycle of approximately V_{OUT} / V_{IN}. To minimize coupling to sensitive circuitry, the PC board copper area connected to this pin should be kept a minimum.

Feedback

Senses the regulated output voltage to complete the feedback loop.

ON/OFF

Allows the switching regulator circuit to be shut down using logic level signals, thus dropping the total input supply current to approximately 150μA. Pulling this pin below a threshold voltage of approximately 1.3V turns the regulator on, and pulling this pin above 1.3V (up to a maximum of 40V) shuts the regulator down. If this shutdown feature is not needed, the ON/OFF pin can be wired to the ground pin, or it can be left open. In either case the regulator will be in the ON condition.

Thermal Considerations

The AP1501 is available in the 5-pin surface mount TO-263 and TO-220.

Under most conditions, the TO-220 package requires a heat sink. The size of the heat sink depends on the input voltage, the output voltage, the load current, and the ambient temperature. The AP1501 junction temperature rises above ambient temperature for a 3A load and different input and output voltages. The data for these curves was taken with the AP1501 (TO-220 package) operating as a buck switching regulator in an ambient temperature of 25°C (still air). These temperature rise numbers are all approximate and there are many factors that can affect these temperatures. Higher ambient temperatures require more heat sinking.

The TO-263 surface mount package tab is designed to be soldered to the copper on a printed circuit board. The copper and the board are the heat sink for this package and the other heat producing components, such as the catch diode and inductor. The PC board copper area that the package is soldered to should be at least 0.4 in², and ideally should have 2 or more square inches of 2 oz. Additional copper area improves the thermal characteristics, but with copper areas greater than approximately 6 in², only small improvements in heat dissipation are realized. If further thermal improvements are needed, double-sided multilayer PC boards with large copper areas and/or airflow are recommended.

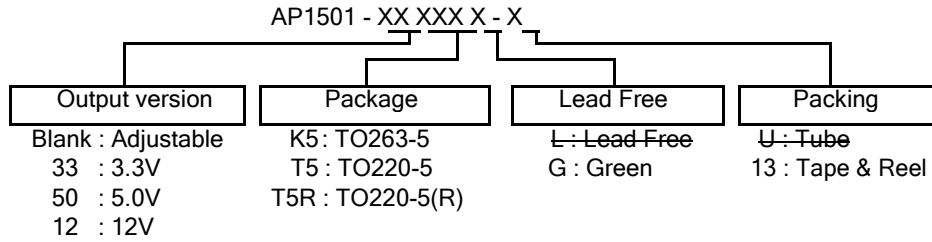
The AP1501 (TO-263 package) junction temperature rises above ambient temperature with a 2A load for various input and output voltages. This data was taken with the circuit operating as a buck switching regulator with all components mounted on a PC board to simulate the junction temperature under actual operating conditions. This curve can be used for a quick check for the approximate junction temperature for various conditions, but be aware that there are many factors that can affect the junction temperature. When load currents higher than 2A are used, double-sided or multilayer PC boards with large copper areas and/or airflow might be needed, especially for high ambient temperatures and high output voltages.

For the best thermal performance, wide copper traces and generous amounts of printed circuit board copper should be used in the board layout. (One exception to this is the output (switch) pin, which should not have large areas of copper.) Large areas of copper provide the best transfer of heat (lower thermal resistance) to the surrounding air, and moving air lowers the thermal resistance even further.

Package thermal resistance and junction temperature rise numbers are all approximate, and there are many factors that will affect these numbers. Some of these factors include board size, shape, thickness, position, location, and even board temperature. Other factors are trace width, total printed circuit copper area, copper thickness, the board being single or double-sided, the board being multilayered, and the amount of solder on the board. The effectiveness of the PC board to dissipate heat also depends on the size, quantity, and spacing of other components on the board, as well as whether the surrounding air is still or moving.

Furthermore, some of these components such as the catch diode will add heat to the PC board, and the heat can vary as the input voltage changes. For the inductor, depending on the physical size, type of core material, and the DC resistance, it could either add heat to the board or act as a heat sink taking heat away from the board.

Ordering Information

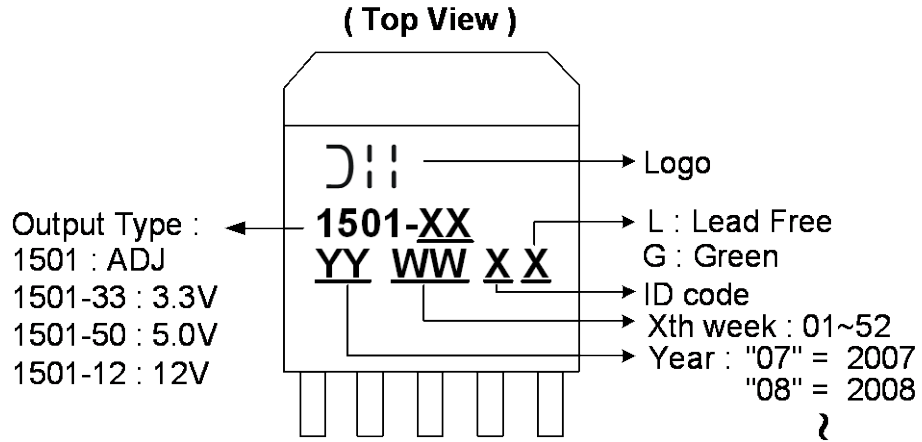


Device (Note 4)	Voltage	Package Code	Package (Note 7)	Lead Free/ Green	Quantity	Part Number Suffix		Status (Note 6)
						Tube	13" Tape and reel	
AP1501-50K5G-13	50	K5	TO263-5	Green	800	NA	-13	Active
AP1501-K5G-13	ADJ	K5	TO263-5	Green	800	NA	-13	Active
AP1501-12K5G-13	12	K5	TO263-5	Green	800	NA	-13	NRND
AP1501-33K5G-13	33	K5	TO263-5	Green	800	NA	-13	NRND

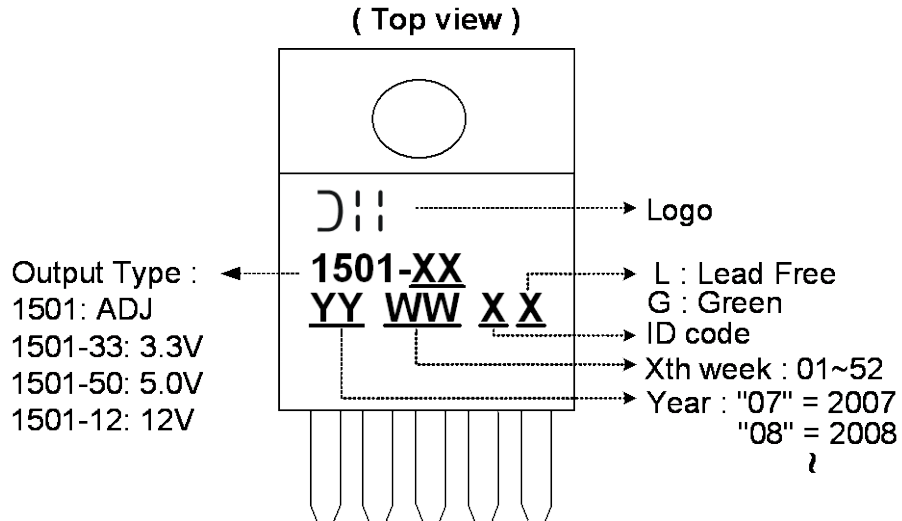
- Notes:
6. AP1501-50K5G-13 and AP1501-K5G-13 are Active. All other versions are NRND or EOL. For recommended alternatives to NRND/EOL devices, [Contact Us](#).
 7. For packaging details, go to our website at: <https://www.diodes.com/design/support/packaging/diodes-packaging/diodes-package-outlines-and-pad-layouts/>.

Marking Information

(1) TO263-5



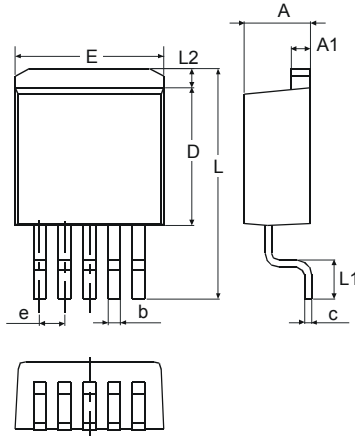
(2) TO220-5



Package Outline Dimensions

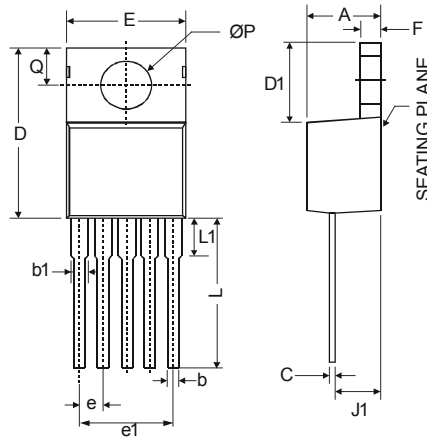
Please see <http://www.diodes.com/package-outlines.html> for the latest version.

(1) Package Type: TO263-5



TO263-5		
Dim	Min	Max
A	4.07	4.85
A1	1.14	1.40
b	0.66	1.02
c	0.36	0.64
D	8.65	9.65
E	9.78	10.54
e	1.57	1.85
L	14.61	15.88
L1	2.29	2.79
L2	-	2.92
All Dimensions in mm		

(2) Package Type: TO220-5

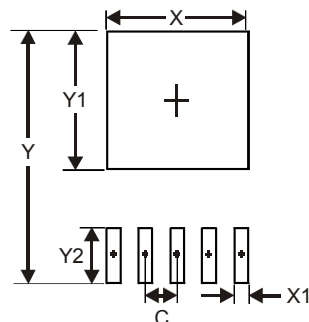


TO220-5		
Dim	Min	Max
A	3.55	4.85
b	0.51	1.14
b1	1.14	1.78
C	0.31	1.14
D	14.20	16.50
D1	5.84	6.86
E	9.78	10.54
e	1.6	1.8
e1	6.6	7.0
F	0.51	1.40
J1	2.03	2.92
L	12.72	14.72
L1	3.66	6.35
P	3.53	4.09
Q	2.54	3.43
All Dimensions in mm		

Suggested Pad Layout

Please see <http://www.diodes.com/package-outlines.html> for the latest version.

(1) Package Type: TO263-5



Dimensions	Value (in mm)
X	10.9
X1	1.05
Y	15.7
Y1	9.1
Y2	2.5
C	1.7

IMPORTANT NOTICE



1. DIODES INCORPORATED AND ITS SUBSIDIARIES (“DIODES”) MAKE NO WARRANTY OF ANY KIND, EXPRESS OR IMPLIED, WITH REGARDS TO ANY INFORMATION CONTAINED IN THIS DOCUMENT, INCLUDING, BUT NOT LIMITED TO, THE IMPLIED WARRANTIES OF MERCHANTABILITY, FITNESS FOR A PARTICULAR PURPOSE OR NON-INFRINGEMENT OF THIRD PARTY INTELLECTUAL PROPERTY RIGHTS (AND THEIR EQUIVALENTS UNDER THE LAWS OF ANY JURISDICTION).
2. The Information contained herein is for informational purpose only and is provided only to illustrate the operation of Diodes products described herein and application examples. Diodes does not assume any liability arising out of the application or use of this document or any product described herein. This document is intended for skilled and technically trained engineering customers and users who design with Diodes products. Diodes products may be used to facilitate safety-related applications; however, in all instances customers and users are responsible for (a) selecting the appropriate Diodes products for their applications, (b) evaluating the suitability of the Diodes products for their intended applications, (c) ensuring their applications, which incorporate Diodes products, comply the applicable legal and regulatory requirements as well as safety and functional-safety related standards, and (d) ensuring they design with appropriate safeguards (including testing, validation, quality control techniques, redundancy, malfunction prevention, and appropriate treatment for aging degradation) to minimize the risks associated with their applications.
3. Diodes assumes no liability for any application-related information, support, assistance or feedback that may be provided by Diodes from time to time. Any customer or user of this document or products described herein will assume all risks and liabilities associated with such use, and will hold Diodes and all companies whose products are represented herein or on Diodes’ websites, harmless against all damages and liabilities.
4. Products described herein may be covered by one or more United States, international or foreign patents and pending patent applications. Product names and markings noted herein may also be covered by one or more United States, international or foreign trademarks and trademark applications. Diodes does not convey any license under any of its intellectual property rights or the rights of any third parties (including third parties whose products and services may be described in this document or on Diodes’ website) under this document.
5. Diodes products are provided subject to Diodes’ Standard Terms and Conditions of Sale (<https://www.diodes.com/about/company/terms-and-conditions/terms-and-conditions-of-sales/>) or other applicable terms. This document does not alter or expand the applicable warranties provided by Diodes. Diodes does not warrant or accept any liability whatsoever in respect of any products purchased through unauthorized sales channel.
6. Diodes products and technology may not be used for or incorporated into any products or systems whose manufacture, use or sale is prohibited under any applicable laws and regulations. Should customers or users use Diodes products in contravention of any applicable laws or regulations, or for any unintended or unauthorized application, customers and users will (a) be solely responsible for any damages, losses or penalties arising in connection therewith or as a result thereof, and (b) indemnify and hold Diodes and its representatives and agents harmless against any and all claims, damages, expenses, and attorney fees arising out of, directly or indirectly, any claim relating to any noncompliance with the applicable laws and regulations, as well as any unintended or unauthorized application.
7. While efforts have been made to ensure the information contained in this document is accurate, complete and current, it may contain technical inaccuracies, omissions and typographical errors. Diodes does not warrant that information contained in this document is error-free and Diodes is under no obligation to update or otherwise correct this information. Notwithstanding the foregoing, Diodes reserves the right to make modifications, enhancements, improvements, corrections or other changes without further notice to this document and any product described herein. This document is written in English but may be translated into multiple languages for reference. Only the English version of this document is the final and determinative format released by Diodes.
8. Any unauthorized copying, modification, distribution, transmission, display or other use of this document (or any portion hereof) is prohibited. Diodes assumes no responsibility for any losses incurred by the customers or users or any third parties arising from any such unauthorized use.

Copyright © 2021 Diodes Incorporated

www.diodes.com

Looking for pricing, stock, or lifecycle information?

Click below to explore more details on WIN SOURCE:

-  [View AP1501-12K5G-13 on WIN SOURCE](#)
-  [Diodes Incorporated Information](#)

Optimize Your Supply Chain with WIN SOURCE Solutions

-  Global Sourcing Solution
-  Obsolete Management
-  Cost Control Management
-  Shortage Management
-  Alternative Solution
-  Excess Inventory Management