



**THE DATASHEET OF  
AP1509-12SG-13**



## Description

The AP1509 series are monolithic ICs designed for a step-down DC-DC converter and have the ability of driving a 2A load without an additional transistor, which saves board space.

The external shutdown function can be controlled by logic level and then go into standby mode. The internal compensation makes feedback control have good line and load regulation without external design. Regarding protected function, thermal shutdown prevents overtemperature operating from damage, and current limit works against overcurrent operating of the output switch. If current limit function occurs, and  $V_{FB}$  is below 0.5V, the switching frequency is reduced. The AP1509 series operates at a switching frequency of 150kHz thus allowing smaller-sized filter components than what is required with lower frequency switching regulators.

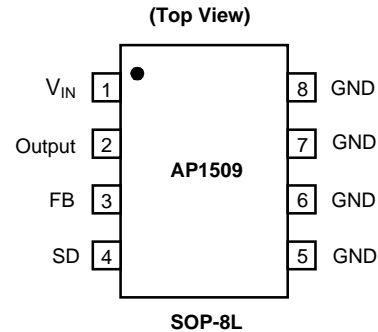
Other features include a guaranteed  $\pm 4\%$  tolerance on output voltage under specified input voltage and output load conditions, and  $\pm 15\%$  on the oscillator frequency. The output version included fixed 3.3V, 5V, 12V, and an adjustable type. The chips are available in a standard 8-lead SO-8 package.

## Features

- Output Voltage: 3.3V, 5V, 12V, and Adjustable Output Version
- Adjustable Version Output Voltage Range of 1.23V to 18V+4%
- 150kHz +15% Fixed Switching Frequency
- Voltage Mode Non-Synchronous PWM Control
- Thermal-Shutdown and Current-Limit Protection
- ON/OFF Shutdown Control Input
- Operating Voltage up to 22V
- Output Load Current: 2A
- Low Power Standby Mode
- Built-in Switching Transistor On Chip
- **Totally Lead-Free & Fully RoHS Compliant (Note 1 & 2)**
- **Halogen and Antimony Free. "Green" Device (Note 3)**

Notes: 1. No purposely added lead. Fully EU Directive 2002/95/EC (RoHS), 2011/65/EU (RoHS 2) & 2015/863/EU (RoHS 3) compliant.  
 2. See <https://www.diodes.com/quality/lead-free/> for more information about Diodes Incorporated's definitions of Halogen- and Antimony-free, "Green" and Lead-free.  
 3. Halogen- and Antimony-free "Green" products are defined as those which contain <900ppm bromine, <900ppm chlorine (<1500ppm total Br + Cl) and <1000ppm antimony compounds.

## Pin Assignments

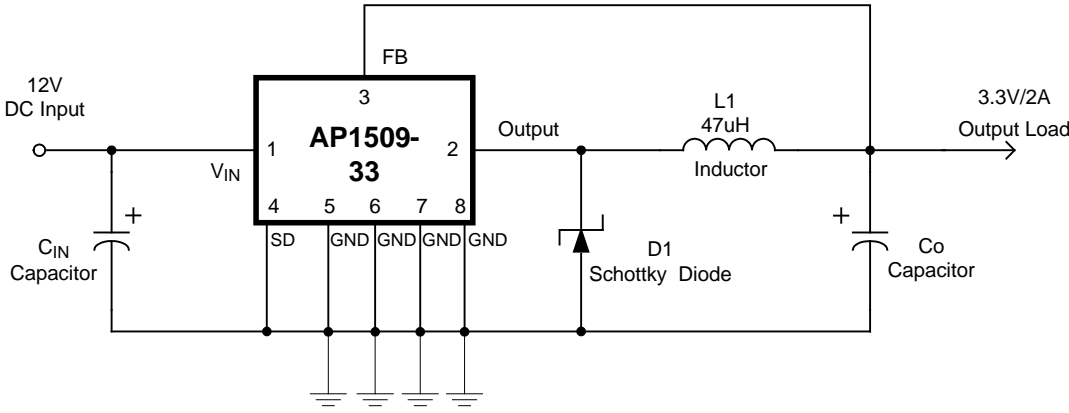


## Applications

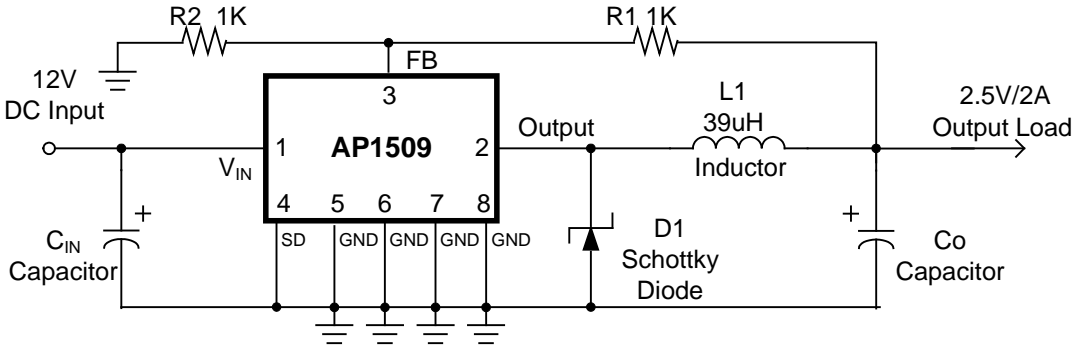
- Simple High-Efficiency Step-Down Regulator
- On-Card Switching Regulators
- Positive to Negative Converter

**Typical Application Circuit**

**(1) Fixed Type Circuit**



**(2) Adjustable Type Circuit**

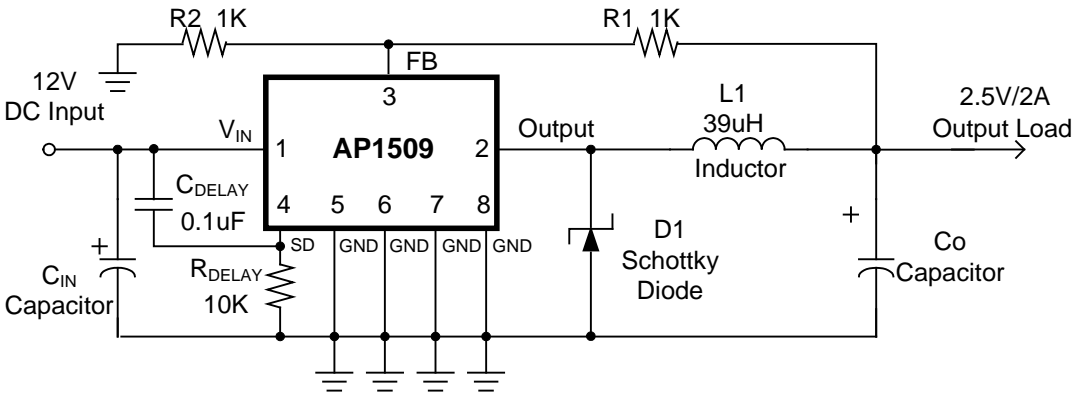


$$V_{OUT} = V_{FB} \times \left(1 + \frac{R1}{R2}\right)$$

$$V_{FB} = 1.23V$$

$$R2 = 1K \sim 3K$$

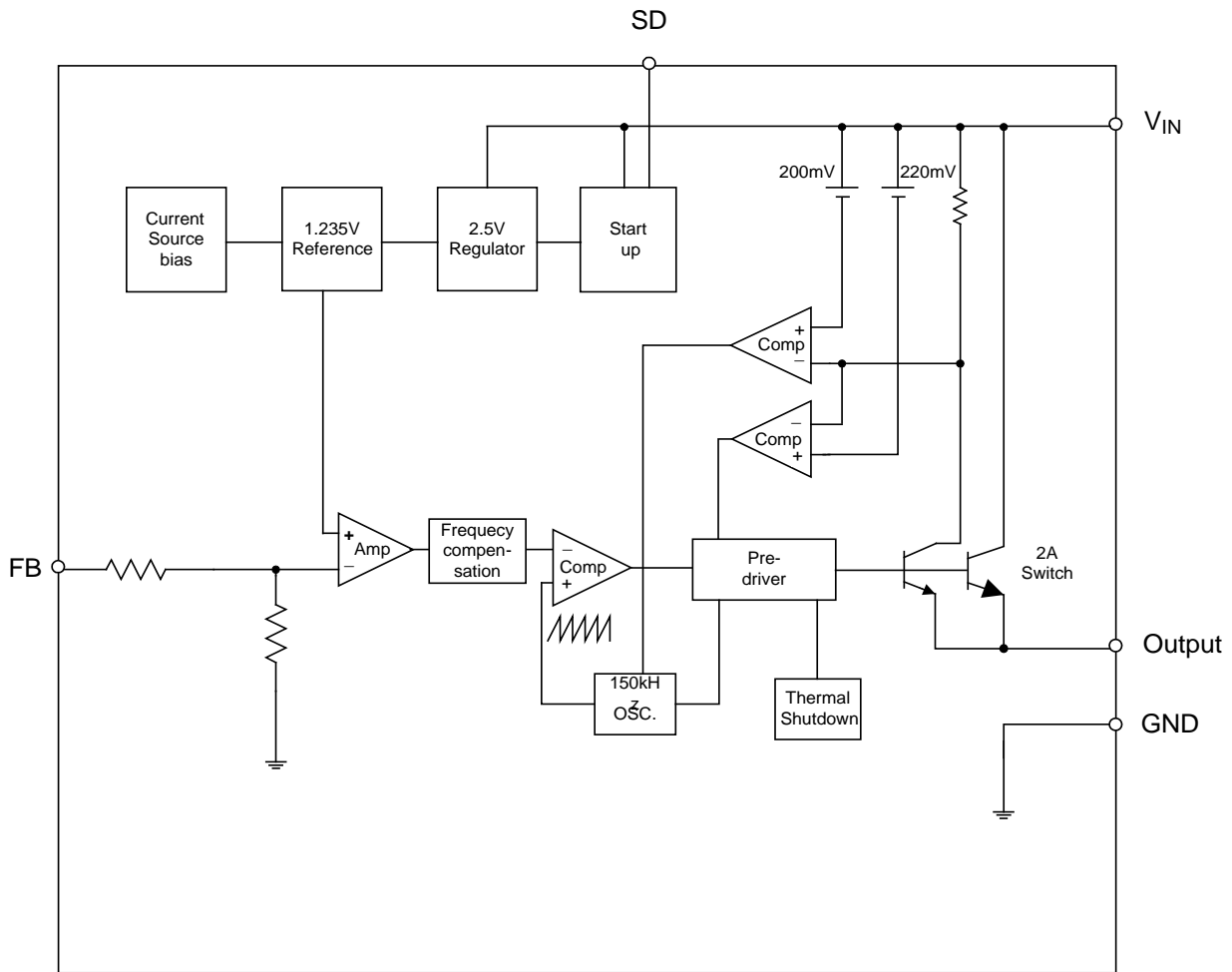
**(3) Delay Start Circuit**



**Pin Descriptions**

Pin Name	Description
V <sub>IN</sub>	Operating Voltage Input
Output	Switching Output
GND	Ground
FB	Output Voltage Feedback Control
SD	ON/OFF Shutdown

**Functional Block Diagram**



## Absolute Maximum Ratings

Symbol	Parameter	Rating	Unit
ESD HBM	Human Body Model ESD Protection	2	KV
ESD MM	Machine Model ESD Protection	200	V
$V_{IN}$	Supply Voltage	+24	V
$V_{SD}$	ON/OFF Pin Input Voltage	-0.3 to +18	V
$V_{FB}$	Feedback Pin Voltage	-0.3 to +18	V
$V_{OUT}$	Output Voltage to Ground	-1	V
$P_D$	Power Dissipation	Internally Limited	W
$T_{ST}$	Storage Temperature	-65 to +150	°C
$T_J$	Operating Junction Temperature	-40 to +125	°C

## Recommended Operating Conditions

Symbol	Parameter	Min	Max	Unit
$I_{OUT}$	Output Current	0	2	A
$V_{OP}$	Operating Voltage	4.5	22	V
$T_A$	Operating Ambient Temperature	-20	85	°C

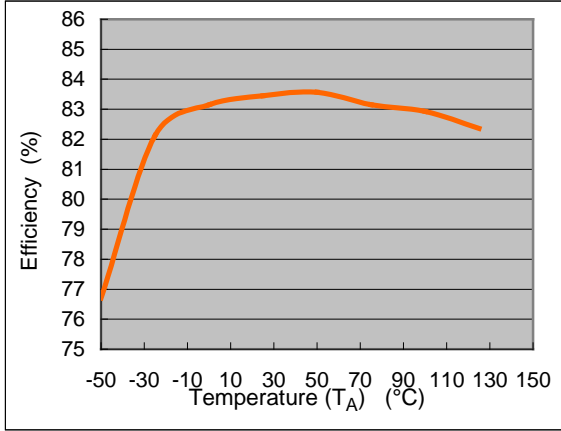
## Electrical Characteristics

Unless otherwise specified,  $V_{IN} = 12V$  for 3.3V, 5V, adjustable version, and  $V_{IN} = 18V$  for the 12V version.  $I_{LOAD} = 0.5A$   
 Specifications with **boldface type** are for full operating temperature range, the other type are for  $T_J = 25^\circ C$ .

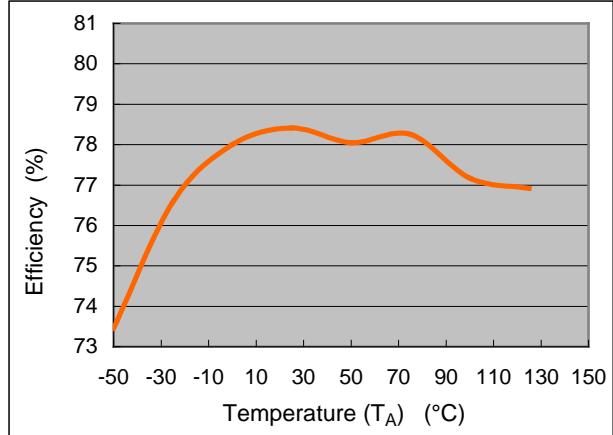
Symbol	Parameter		Conditions	Min	Typ.	Max	Unit
$I_{FB}$	Feedback Bias Current		$V_{FB} = 1.3V$ (Adjustable Version Only)	—	-10	-50 <b>-100</b>	nA
$F_{OSC}$	Oscillator Frequency		—	127 <b>110</b>	150	173 <b>173</b>	kHz
$F_{SCP}$	Oscillator Frequency of Short Circuit Protect		When Current Limit Occurred and $V_{FB} < 0.5V$ , $T_a = 25^\circ C$	10	30	50	kHz
$V_{SAT}$	Saturation Voltage		$I_{OUT} = 2A$ No Outside Circuit $V_{FB} = 0V$ Force Driver On	—	1.25	1.4 <b>1.5</b>	V
DC	Max. Duty Cycle (ON)		$V_{FB} = 0V$ Force Driver On	—	100	—	%
	Min. Duty Cycle (OFF)		$V_{FB} = 12V$ Force Driver Off	—	0	—	
$I_{CL}$	Current Limit		Peak Current No Outside Circuit $V_{FB} = 0V$ Force Driver On	3	—	—	A
$I_L$	Output = 0	Output Leakage Current	No Outside Circuit	—	—	-200	$\mu A$
	Output = -1		$V_{FB} = 12V$ Force Driver Off	—	-5	—	mA
$I_Q$	Quiescent Current		$V_{FB} = 12V$ Force Driver Off	—	5	10	mA
$I_{STBY}$	Standby Quiescent Current		ON/OFF pin = 5V $V_{IN} = 22V$	—	70	150 <b>200</b>	$\mu A$
$V_{IL}$	ON/OFF Pin Logic Input Threshold Voltage		Low (Regulator ON)	—	1.3	0.6	V
$V_{IH}$			High (Regulator OFF)	2.0		—	
$I_H$	ON/OFF Pin Logic Input Current		$V_{LOGIC} = 2.5V$ (OFF)	—	—	-0.01	$\mu A$
$I_L$	ON/OFF Pin Input Current		$V_{LOGIC} = 0.5V$ (ON)	—	-0.1	-1	
$\theta_{JA}$	Thermal Resistance		SO-8 Junction to Case	—	15	—	$^\circ C/W$
$\theta_{JC}$	Thermal Resistance with a Copper Area of Approximately $3in^2$		SO-8 Junction to Ambient	—	70	—	$^\circ C/W$
AP1509 - ADJ	$V_{FB}$	Output Feedback	$4.5V < V_{IN} < 22V$ $0.2A < I_{LOAD} < 2A$ $V_{OUT}$ Programmed for 3V	1.193 1.18	1.23	1.267 1.28	V
	$\eta$	Efficiency	$V_{IN} = 12V$ , $I_{LOAD} = 2A$	76	76	—	%
AP1509 - 3.3V	$V_{OUT}$	Output Voltage	$4.75V < V_{IN} < 22V$ $0.2A < I_{LOAD} < 2A$	3.168 3.135	3.3	3.432 3.465	V
	$\eta$	Efficiency	$V_{IN} = 12V$ , $I_{LOAD} = 2A$	78	78	—	%
AP1509 - 5V	$V_{OUT}$	Output Voltage	$7V < V_{IN} < 22V$ $0.2A < I_{LOAD} < 2A$	4.8 4.75	5	5.2 5.25	V
	$\eta$	Efficiency	$V_{IN} = 12V$ , $I_{LOAD} = 2A$	83	83	—	%
AP1509 - 12V	$V_{OUT}$	Output Voltage	$15V < V_{IN} < 22V$ $0.2A < I_{LOAD} < 2A$	11.52 11.4	12	12.48 12.6	V
	$\eta$	Efficiency	$V_{IN} = 15V$ , $I_{LOAD} = 2A$	90	90	—	%

**Typical Performance Characteristics**

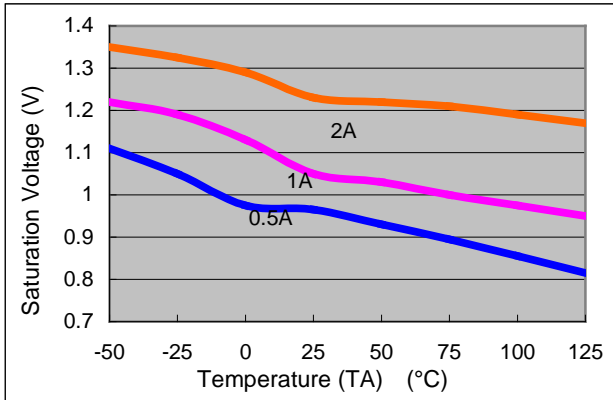
**AP1509 Efficiency vs. Temperature**  
( $V_{IN} = 12V, V_{OUT} = 5V, I_o = 2A$ )



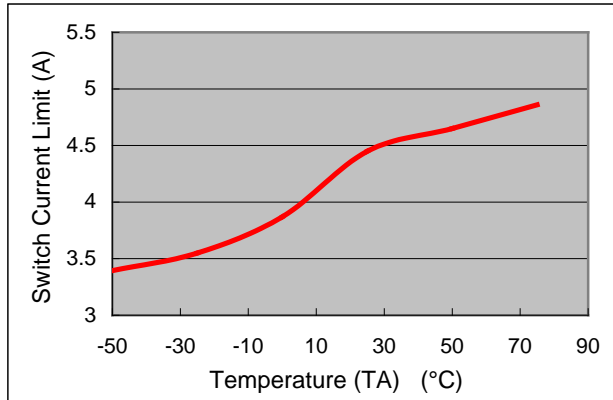
**AP1509 Efficiency vs. Temperature**  
( $V_{IN} = 12V, V_{OUT} = 3.3V, I_o = 2A$ )



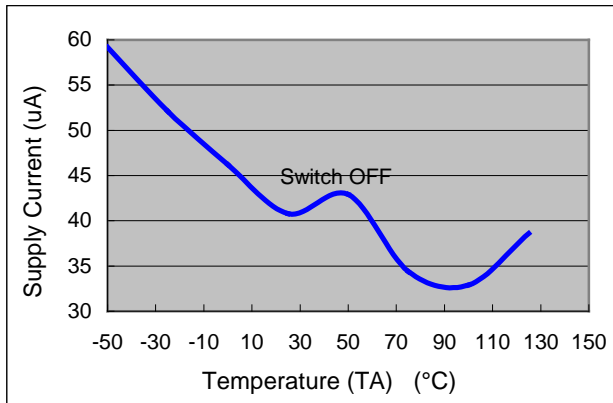
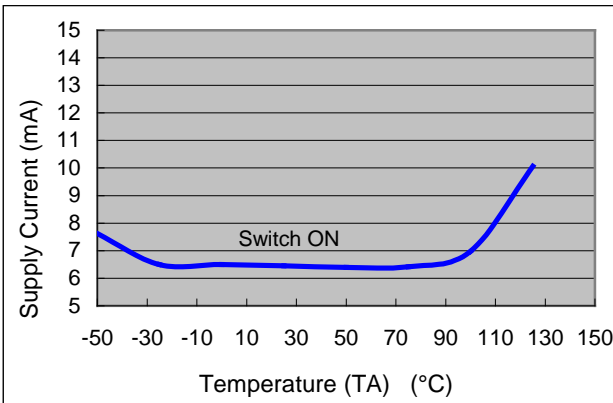
**AP1509 Saturation Voltage vs. Temperature**  
( $V_{IN} = 12V, V_{FB} = 0V, V_{SD} = 0$ )



**AP1509 Switch Current Limit vs. Temperature**  
( $V_{IN} = 12V, V_{FB} = 0V$ )

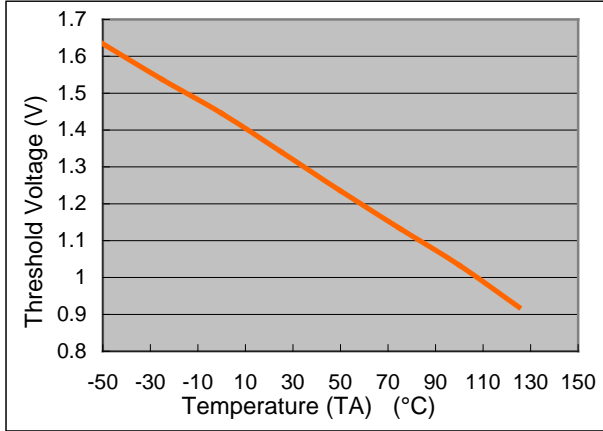


**AP1509 Supply Current vs. Temperature**  
( $V_{IN} = 12V, \text{No Load}, V_{on/off} = 0V \text{ (Switch ON)}, V_{on/off} = 5V \text{ (Switch OFF)}$ )

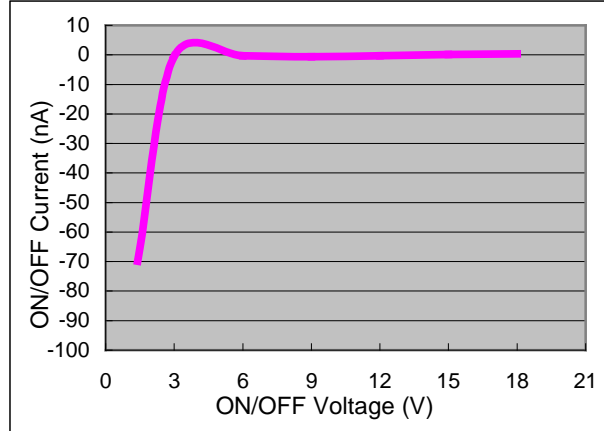


**Typical Performance Characteristics** (continued)

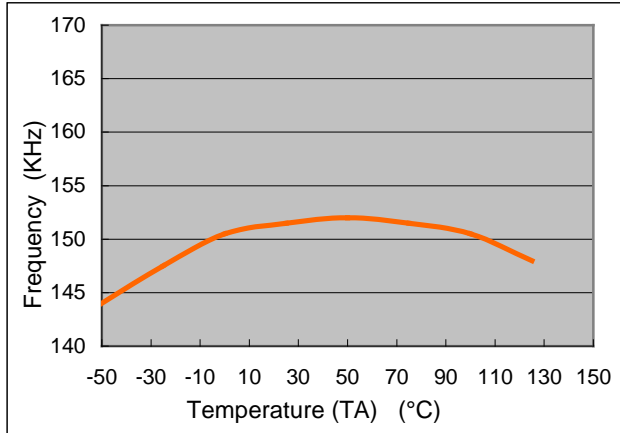
**AP1509 Threshold Voltage vs. Temperature**  
( $V_{IN} = 12V$ ,  $I_o = 100mA$ )



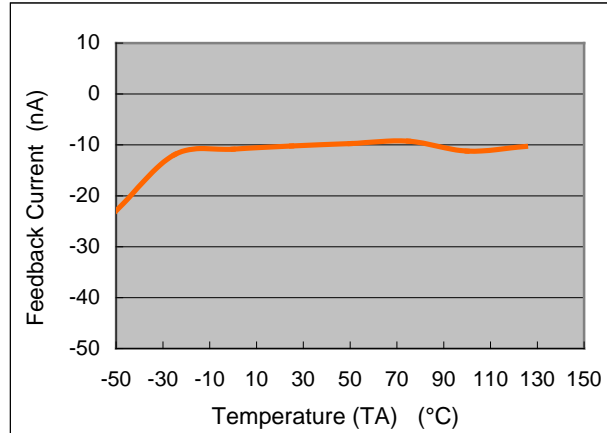
**AP1509 ON/OFF Current vs. ON/OFF Voltage**  
( $V_{IN} = 12V$ )



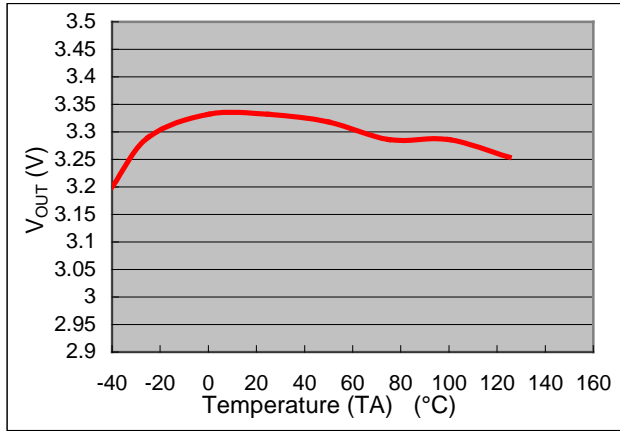
**AP1509 Frequency vs. Temperature**  
( $V_{IN} = 12V$ ,  $I_o = 500mA$ ,  $V_{OUT} = 5V$ )



**AP1509 Feedback Current vs. Temperature**  
( $V_{IN} = 12V$ ,  $V_{OUT} = 5V$ ,  $V_{fb} = 1.3V$ )

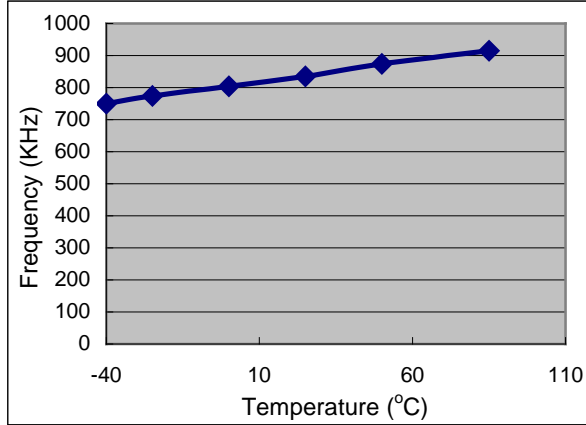


**AP1509 Output Voltage vs. Temperature**  
( $V_{IN} = 12V$ ,  $I_o = 2A$ )

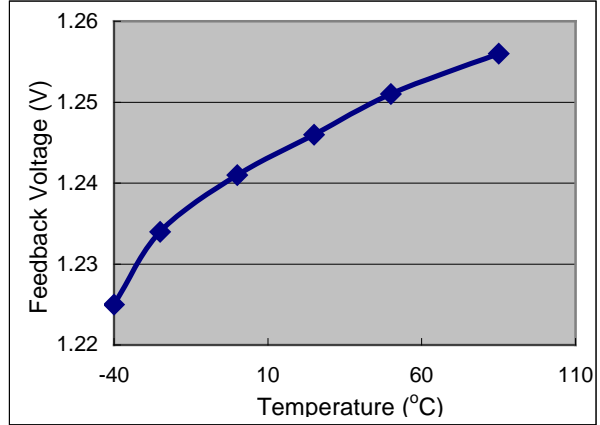


**Typical Performance Characteristics** (continued)

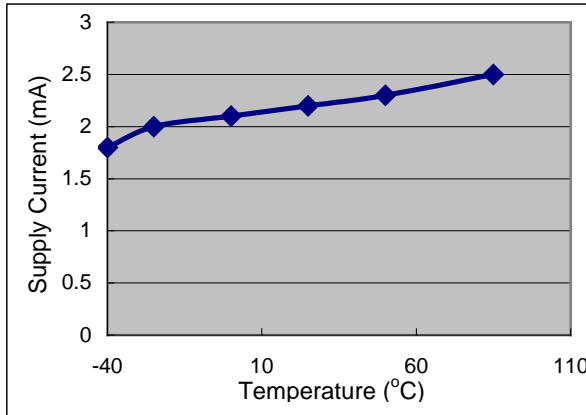
**Header Frequency vs. Temperature**



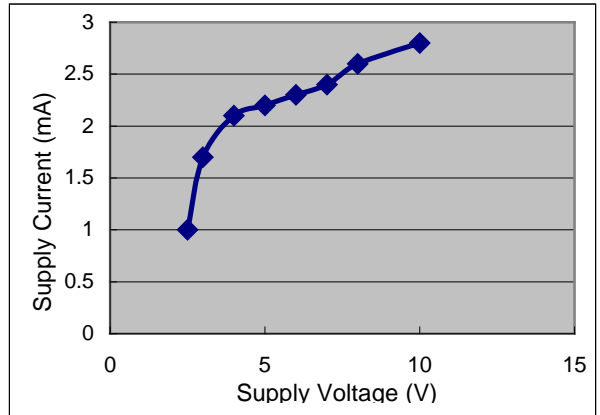
**Feedback Voltage vs. Temperature**  
( $V_{IN} = 15V, V_{OUT} = 5V$ )



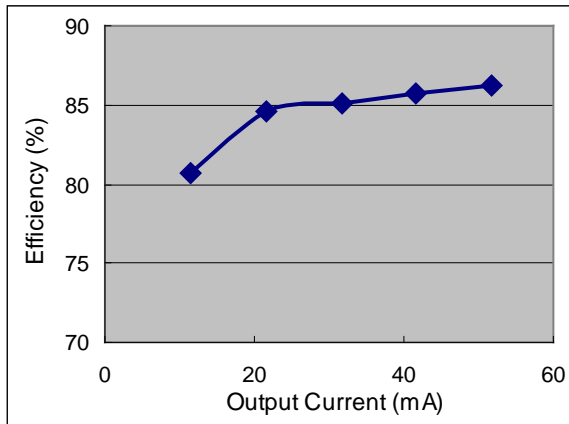
**Supply Current vs. Temperature**  
( $V_{IN} = 15V, V_{OUT} = 5V, I_{OUT} = 0A$ )



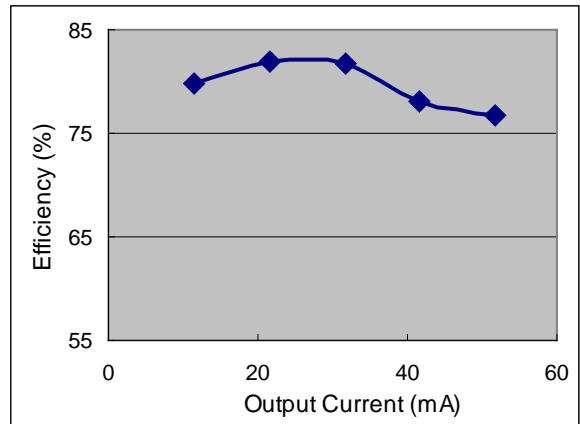
**Supply Current vs. Supply Voltage**  
( $V_{IN} = 15V, V_{OUT} = 5V, I_{OUT} = 0A$ )



**Efficiency vs. Output Current**  
( $V_{IN} = 15V, V_{OUT} = 5V$ )



**Efficiency vs. Output Current**  
( $V_{IN} = 15V, V_{OUT} = 3.3V$ )



---

## Functions Description

---

### Pin Functions

#### +V<sub>IN</sub>

This is the positive input supply for the IC switching regulator. A suitable input bypass capacitor must be presented at this pin to minimize voltage transients and to supply the switching currents required by the regulator.

#### Ground

Circuit ground.

#### Output

Internal switch. The voltage at this pin switches between (+V<sub>IN</sub> - V<sub>SAT</sub>) and approximately -0.5V with a duty cycle of approximately V<sub>OUT</sub>/V<sub>IN</sub>. To minimize coupling to sensitive circuitry, the PCB copper area connected to this pin should be minimized.

#### Feedback

This pin senses the regulated output voltage to complete the feedback loop.

#### SD

Allows the switching regulator circuit to be shutdown using logic level signals thus dropping the total input supply current to approximately 150μA. Pulling this pin below a threshold voltage of approximately 1.3V turns the regulator on, and pulling this pin above 1.3V (up to a maximum of 18V) shuts the regulator down. If this shutdown feature is not required, the SD pin can be wired to the ground pin.

### Thermal Considerations

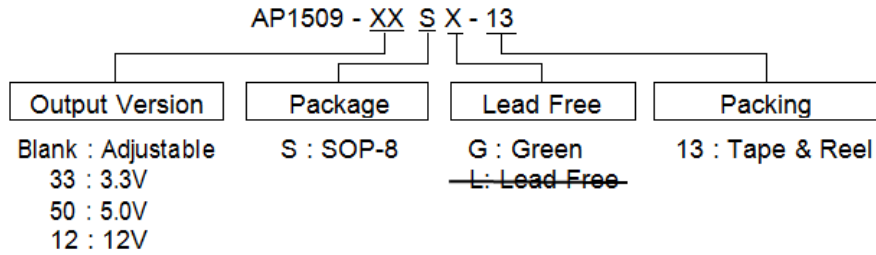
The SO-8 package requires a heat sink under most conditions. The size of the heat sink depends on the input voltage, the output voltage, the load current, and the ambient temperature. The AP1509 junction temperature rises above ambient temperature for a 2A load and different input and output voltages. The data for these curves was taken with the AP1509 (SO-8 package) operating as a buck-switching regulator in an ambient temperature of 25°C (still air). These temperature increments are all approximate and are affected by many factors. Higher ambient temperatures require more heat sinker.

For the best thermal performance, wide copper traces and generous amounts of PCB copper should be used in the board layout; one exception is the output (switch) pin, which should not have large areas of copper. Large areas of copper provide the best transfer of heat (lower thermal resistance) to the surrounding air and moving air lowers the thermal resistance even further.

Package thermal resistance and junction temperature increments are all approximate. The increments are affected by a lot of factors. Some of these factors include board size, shape, thickness, position, location, and even board temperature. Other factors are, trace width, total printed circuit copper area, copper thickness, single or double-sided, multi-layer board, and the amount of solder on the board.

The effectiveness of the PCB to dissipate heat also depends on the size, quantity, and spacing of other components on the board, as well as whether the surrounding air is still or moving. Furthermore, some of these components, such as the catch diode, add heat to the PCB, and the heat can vary as the input voltage changes. For the inductor, depending on the physical size, type of core material, and the DC resistance, it could either act as a heat sink taking heat away from the board, or it could add heat to the board.

## Ordering Information

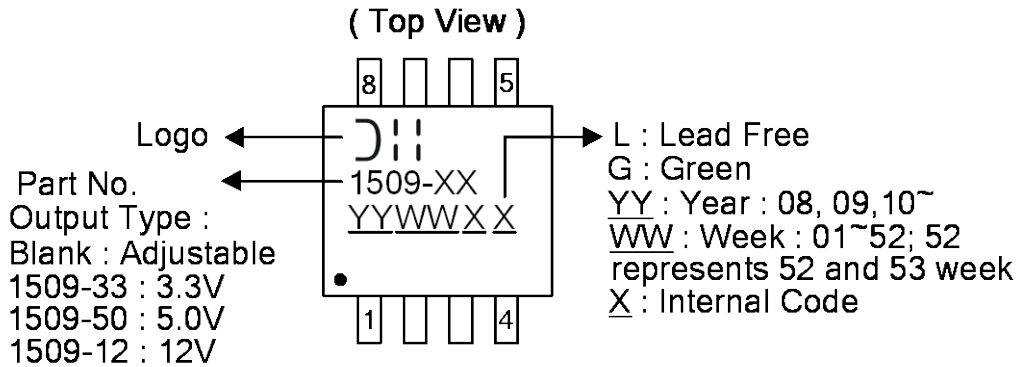


Device	Voltage (V)	Package Code	Package (Note 5)	Lead Free/Green	Quantity	Part Number Suffix		Status (Note 4)	Alternative
						Tube	13" Tape and Reel		
AP1509-12SG-13	12	S	SO-8	Green	2500	NA	-13	In production	
AP1509-33SG-13	3.3	S	SO-8	Green	2500	NA	-13	In production	
AP1509-50SG-13	5.0	S	SO-8	Green	2500	NA	-13	In production	
AP1509-SG-13	ADJ	S	SO-8	Green	2500	NA	-13	In production	
AP1509-12SGL-13	12	S	SO-8	Green	2500	NA	-13	End of life	None
AP1509-33SGL-13	3.3	S	SO-8	Green	2500	NA	-13	End of life	None
AP1509-50SGL-13	5.0	S	SO-8	Green	2500	NA	-13	End of life	None
AP1509-SGL-13	ADJ	S	SO-8	Green	2500	NA	-13	End of life	None

- Notes: 4. All Lead-free versions are End of Life (EOL) with no replacement.  
 5. For packaging details, go to our website at:  
<https://www.diodes.com/design/support/packaging/diodes-packaging/diodes-package-outlines-and-pad-layouts/>

## Marking Information

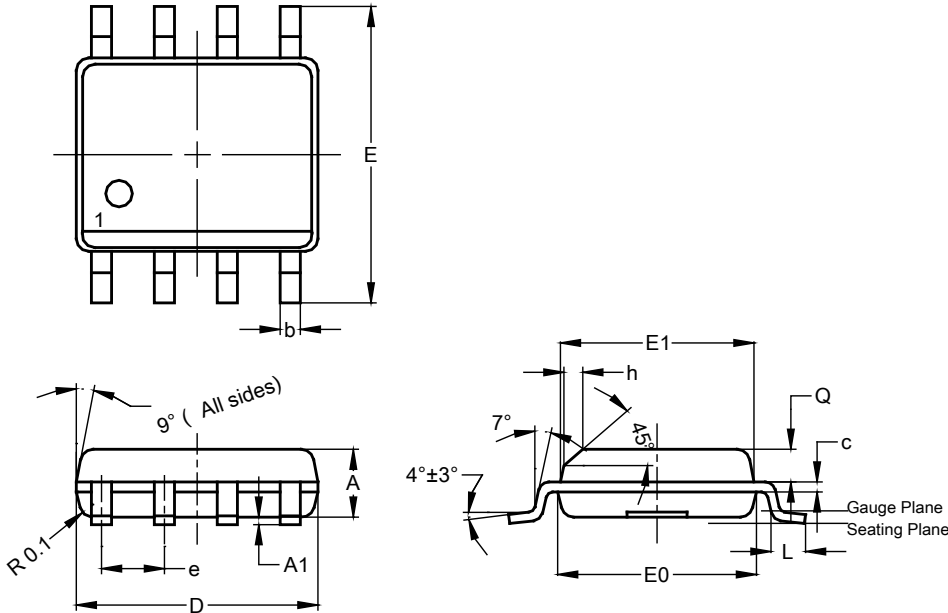
### (1) SO-8



**Package Outline Dimensions (All Dimensions in mm)**

Please see <http://www.diodes.com/package-outlines.html> for the latest version.

SO-8

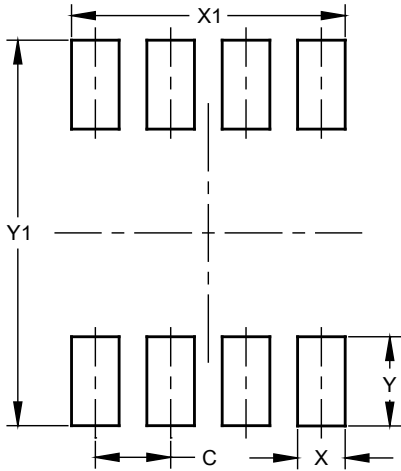


SO-8			
Dim	Min	Max	Typ
A	1.40	1.50	1.45
A1	0.10	0.20	0.15
b	0.30	0.50	0.40
c	0.15	0.25	0.20
D	4.85	4.95	4.90
E	5.90	6.10	6.00
E1	3.80	3.90	3.85
E0	3.85	3.95	3.90
e	--	--	1.27
h	-	--	0.35
L	0.62	0.82	0.72
Q	0.60	0.70	0.65
All Dimensions in mm			

**Suggested Pad Layout**

Please see <http://www.diodes.com/package-outlines.html> for the latest version.

SO-8



Dimensions	Value (in mm)
C	1.27
X	0.802
X1	4.612
Y	1.505
Y1	6.50

#### IMPORTANT NOTICE

DIODES INCORPORATED MAKES NO WARRANTY OF ANY KIND, EXPRESS OR IMPLIED, WITH REGARDS TO THIS DOCUMENT, INCLUDING, BUT NOT LIMITED TO, THE IMPLIED WARRANTIES OF MERCHANTABILITY AND FITNESS FOR A PARTICULAR PURPOSE (AND THEIR EQUIVALENTS UNDER THE LAWS OF ANY JURISDICTION).

Diodes Incorporated and its subsidiaries reserve the right to make modifications, enhancements, improvements, corrections or other changes without further notice to this document and any product described herein. Diodes Incorporated does not assume any liability arising out of the application or use of this document or any product described herein; neither does Diodes Incorporated convey any license under its patent or trademark rights, nor the rights of others. Any Customer or user of this document or products described herein in such applications shall assume all risks of such use and will agree to hold Diodes Incorporated and all the companies whose products are represented on Diodes Incorporated website, harmless against all damages.

Diodes Incorporated does not warrant or accept any liability whatsoever in respect of any products purchased through unauthorized sales channel.

Should Customers purchase or use Diodes Incorporated products for any unintended or unauthorized application, Customers shall indemnify and hold Diodes Incorporated and its representatives harmless against all claims, damages, expenses, and attorney fees arising out of, directly or indirectly, any claim of personal injury or death associated with such unintended or unauthorized application.

Products described herein may be covered by one or more United States, international or foreign patents pending. Product names and markings noted herein may also be covered by one or more United States, international or foreign trademarks.

This document is written in English but may be translated into multiple languages for reference. Only the English version of this document is the final and determinative format released by Diodes Incorporated.

#### LIFE SUPPORT

Diodes Incorporated products are specifically not authorized for use as critical components in life support devices or systems without the express written approval of the Chief Executive Officer of Diodes Incorporated. As used herein:

A. Life support devices or systems are devices or systems which:

1. are intended to implant into the body, or
2. support or sustain life and whose failure to perform when properly used in accordance with instructions for use provided in the labeling can be reasonably expected to result in significant injury to the user.

B. A critical component is any component in a life support device or system whose failure to perform can be reasonably expected to cause the failure of the life support device or to affect its safety or effectiveness.



Customers represent that they have all necessary expertise in the safety and regulatory ramifications of their life support devices or systems, and acknowledge and agree that they are solely responsible for all legal, regulatory and safety-related requirements concerning their products and any use of Diodes Incorporated products in such safety-critical, life support devices or systems, notwithstanding any devices- or systems-related information or support that may be provided by Diodes Incorporated. Further, Customers must fully indemnify Diodes Incorporated and its representatives against any damages arising out of the use of Diodes Incorporated products in such safety-critical, life support devices or systems.

Copyright © 2018, Diodes Incorporated

[www.diodes.com](http://www.diodes.com)

## Looking for pricing, stock, or lifecycle information?

Click below to explore more details on WIN SOURCE:

-  [View AP1509-12SG-13 on WIN SOURCE](#)
-  [Diodes Incorporated Information](#)

## Optimize Your Supply Chain with WIN SOURCE Solutions

-  Global Sourcing Solution
-  Obsolete Management
-  Cost Control Management
-  Shortage Management
-  Alternative Solution
-  Excess Inventory Management