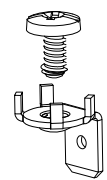
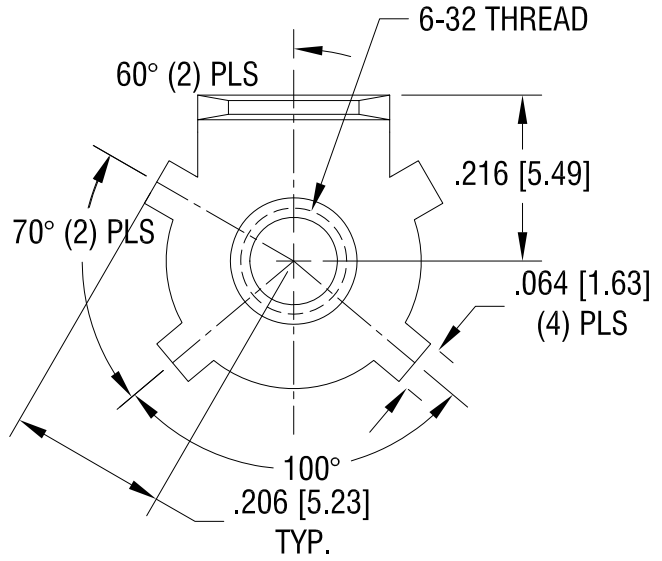
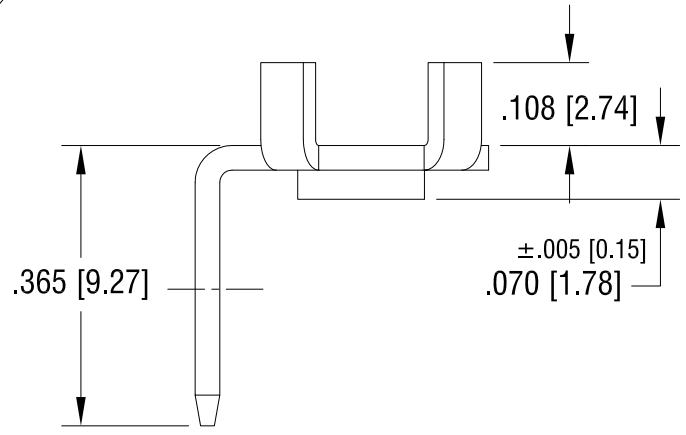
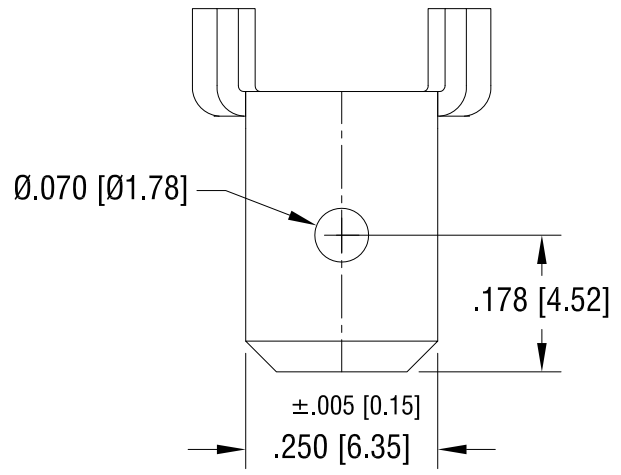
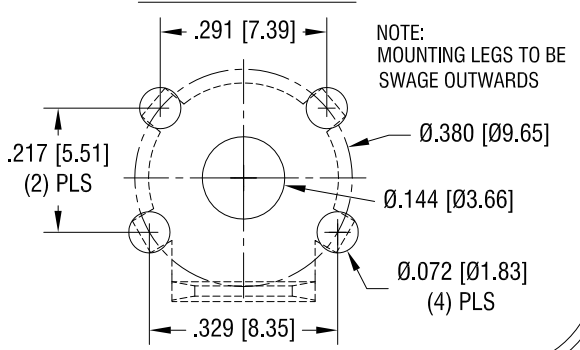


THIS DOCUMENT IS THE PROPERTY OF KEYSTONE ELECTRONICS CORP. AND SHALL NOT BE REPRODUCED, DISTRIBUTED OR USED AS A BASIS FOR MANUFACTURE WITHOUT PRIOR WRITTEN PERMISSION FROM KEYSTONE ELECTRONICS CORP.



MOUNTING LAY OUT





MOTE:
 1. SCREW 6-32 THREAD x .250 SUPPLIED UNASSEMBLED

KEYSTONE ELECTRONICS CORP.			
www.keyelco.com • ASTORIA, N.Y. 11105-2017 • Tel (718) 956-8900			
PART NAME			
THREADED NUT WITH QUICK-FIT			
MATERIAL			
.032 [0.81] BRASS			
FINISH		DRN BY	DATE
NICKEL PLATE		NT	3.02.11
		APP'D	SCALE
			4X
TOLERANCES	INCH	[MM]	CODE
DECIMAL	$\pm .010$	$[\pm 0.25]$	C
ANGULAR	$\pm 1^\circ$		
UNLESS OTHERWISE SPECIFIED			
DWG NO.		1251	

DATE	DESCRIPTION	REV.
------	-------------	------

Looking for pricing, stock, or lifecycle information?

Click below to explore more details on WIN SOURCE:

-  [View 1251](#) on WIN SOURCE
-  [Keystone Electronics](#) Information

Optimize Your Supply Chain with WIN SOURCE Solutions

-  Global Sourcing Solution
-  Obsolete Management
-  Cost Control Management
-  Shortage Management
-  Alternative Solution
-  Excess Inventory Management