



# THE DATASHEET OF VN05N

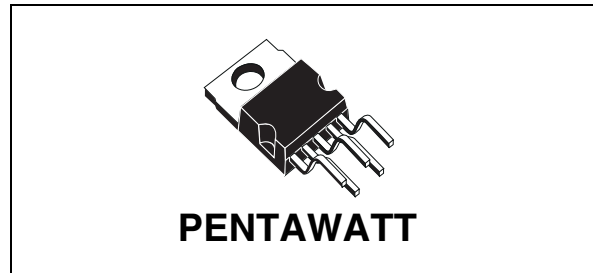


## High side smart power solid state relay

### Features

Type	V <sub>DSS</sub>	R <sub>DS(on)</sub>	I <sub>OUT</sub>	V <sub>CC</sub>
VN05N	60 V	0.18 Ω	13 A	26 V

- Output current (continuous): 13A @ T<sub>c</sub>=25°C
- 5V logic level compatible input
- Thermal shutdown
- Under voltage shutdown
- Open drain diagnostic output
- Very low standby power dissipation



### Description

The VN05N is a monolithic device made using STMicroelectronics VIPower technology, intended for driving resistive or inductive loads with one side grounded. Built-in thermal shutdown protects the chip from over temperature and short circuit.

The input control is 5V logic level compatible. The open drain diagnostic output indicates open circuit (no load) and over temperature status.

**Table 1. Device summary**

Package	Order codes
PENTAWATT	VN05N

# Contents

- 1        Block diagram and pin description ..... 5**
  
- 2        Electrical specifications ..... 6**
  - 2.1    Absolute maximum ratings ..... 6
  - 2.2    Thermal data ..... 7
  - 2.3    Electrical characteristics ..... 7
  - 2.4    Electrical characteristics curves ..... 10
  
- 3        Application information ..... 11**
  - 3.1    Functional description ..... 12
  - 3.2    Protecting the device against reverse battery ..... 12
  
- 4        Package and packing information ..... 13**
  - 4.1    ECOPACK® packages ..... 13
  - 4.2    PENTAWATT mechanical data ..... 13
  
- 5        Revision history ..... 15**

## List of tables

Table 1.	Device summary . . . . .	1
Table 2.	Absolute maximum ratings . . . . .	6
Table 3.	Thermal data. . . . .	7
Table 4.	Power . . . . .	7
Table 5.	Switching ( $V_{CC}=13V$ ) . . . . .	7
Table 6.	Logic inputs. . . . .	8
Table 7.	Protections and diagnostics . . . . .	8
Table 8.	Truth table. . . . .	8
Table 9.	PENTAWATT mechanical data . . . . .	14
Table 10.	Document revision history . . . . .	15

# List of figures

Figure 1. Block diagram . . . . . 5  
Figure 2. Configuration diagram (top view) . . . . . 5  
Figure 3. Current and voltage conventions . . . . . 6  
Figure 4. Waveforms . . . . . 9  
Figure 5. Over current test circuit. . . . . 9  
Figure 6.  $R_{DS(on)}$  vs junction temperature . . . . . 10  
Figure 7.  $R_{DS(on)}$  vs supply voltage . . . . . 10  
Figure 8.  $R_{DS(on)}$  vs output current. . . . . 10  
Figure 9. Input voltages vs junction temperature . . . . . 10  
Figure 10. Output current derating. . . . . 10  
Figure 11. Open load vs junction temperature . . . . . 10  
Figure 12. Typical application circuit with a schottky diode for reverse supply protection . . . . . 11  
Figure 13. Typical application circuit with separate signal ground . . . . . 11  
Figure 14. PENTAWATT package dimensions . . . . . 13

# 1 Block diagram and pin description

Figure 1. Block diagram

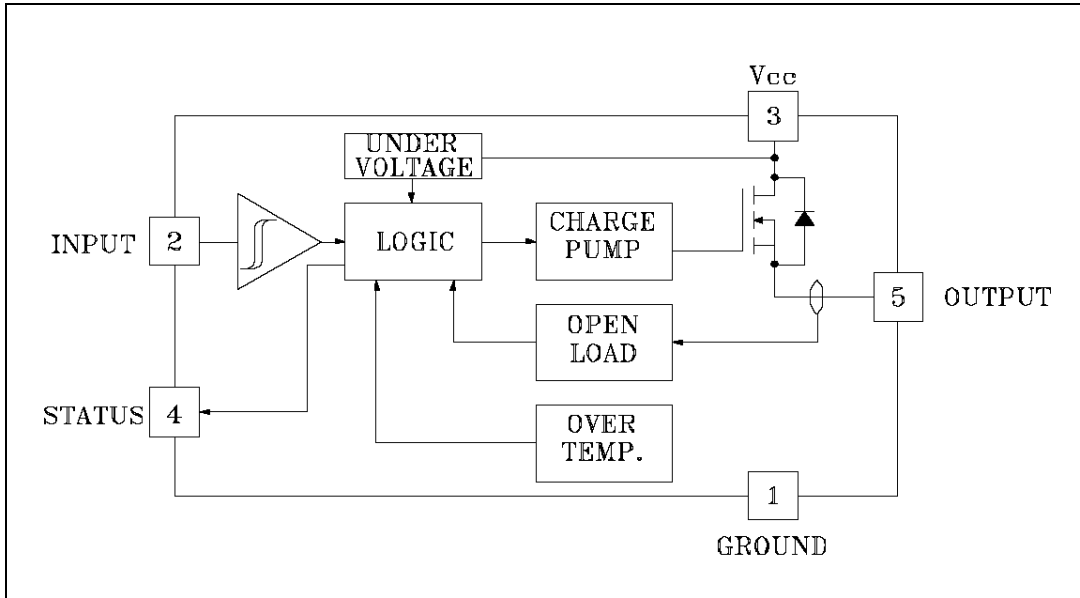
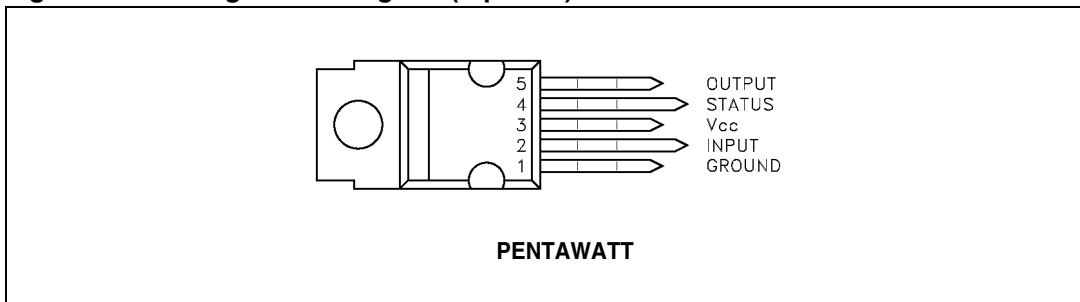
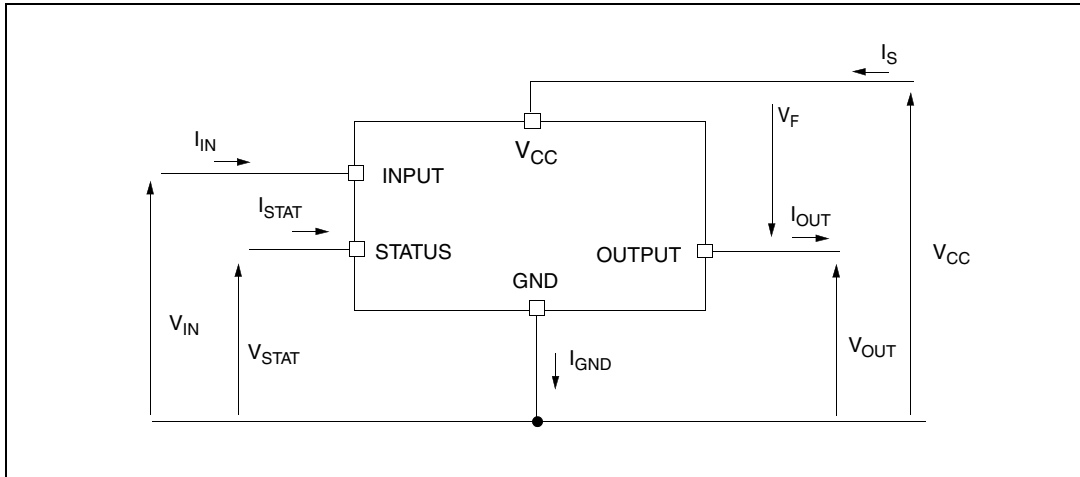


Figure 2. Configuration diagram (top view)



## 2 Electrical specifications

Figure 3. Current and voltage conventions



### 2.1 Absolute maximum ratings

Stressing the device above the rating listed in the “Absolute maximum ratings” table may cause permanent damage to the device. These are stress ratings only and operation of the device at these or any other conditions above those indicated in the operating sections of this specification is not implied. Exposure to Absolute maximum rating conditions for extended periods may affect device reliability. Refer also to the STMicroelectronics sure program and other relevant quality document.

Table 2. Absolute maximum ratings

Symbol	Parameter	Value	Unit
V(BR)DSS	Drain-Source breakdown voltage	60	V
I <sub>OUT</sub>	Output current (cont.)	13	A
I <sub>R</sub>	Reverse output current	-13	A
I <sub>IN</sub>	Input current	±10	mA
-V <sub>CC</sub>	Reverse supply voltage	-4	V
I <sub>STAT</sub>	Status current	±10	mA
VESD	Electrostatic discharge (1.5 kΩ, 100 pF)	2000	V
P <sub>tot</sub>	Power dissipation at T <sub>c</sub> ≤ 25 °C	56	W
T <sub>j</sub>	Junction operating temperature	-40 to 150	°C
T <sub>stg</sub>	Storage temperature	-55 to 150	°C

## 2.2 Thermal data

**Table 3. Thermal data**

Symbol	Parameter	Max. value	Unit
$R_{thj-case}$	Thermal resistance junction-case	2.2	°C/W
$R_{thj-amb}$	Thermal resistance junction-ambient	60	°C/W

## 2.3 Electrical characteristics

Values specified in this section are for  $V_{CC} = 13V$ ;  $-40^{\circ}C < T_j < 125^{\circ}C$ , unless otherwise stated.

**Table 4. Power**

Symbol	Parameter	Test conditions	Min.	Typ.	Max.	Unit
$V_{CC}$	Supply voltage		7		26	V
$R_{on}$	On state resistance	$I_{OUT} = 6\text{ A}$ $I_{OUT} = 6\text{ A } T_j = 25^{\circ}C$			0.36 0.18	$\Omega$ $\Omega$
$I_S$	Supply current	Off state $T_j \geq 25^{\circ}C$ On state			50 15	$\mu A$ mA

**Table 5. Switching ( $V_{CC}=13V$ )**

Symbol	Parameter	Test conditions	Min.	Typ.	Max.	Unit
$t_{d(on)}$	Turn-on delay time of output current	$I_{OUT} = 6\text{ A}$ resistive load Input rise time $< 0.1\text{ ms}$ $T_j = 25^{\circ}C$		15		$\mu s$
$t_r$	Rise time of output current	$I_{OUT} = 6\text{ A}$ resistive load Input rise time $< 0.1\text{ ms}$ $T_j = 25^{\circ}C$		30		$\mu s$
$t_{d(off)}$	Turn-off delay time of output current	$I_{OUT} = 6\text{ A}$ Resistive load Input rise time $< 0.1\text{ ms}$ $T_j = 25^{\circ}C$		20		$\mu s$
$t_f$	Fall time of output current	$I_{OUT} = 6\text{ A}$ resistive load Input rise time $< 0.1\text{ ms}$ $T_j = 25^{\circ}C$		10		$\mu s$
$dV_{OUT}/dt_{(on)}$	Turn-on current slope	$I_{OUT} = 6\text{ A}$ $I_{OUT} = IOV$			0.5 2	$A/\mu s$ $A/\mu s$
$dV_{OUT}/dt_{(off)}$	Turn-off current slope	$I_{OUT} = 6\text{ A}$ $I_{OUT} = IOV$			2 4	$A/\mu s$ $A/\mu s$

**Table 6. Logic inputs**

Symbol	Parameter	Test conditions	Min.	Typ.	Max.	Unit
$V_{IL}$	Input low level voltage				0.8	V
$V_{IH}^{(1)}$	Input high level voltage		2			V
$V_{I(hyst.)}$	Input hysteresis voltage			0.5		V
$I_{IN}$	Input current	$V_{IN} = 5\text{ V}$		250	500	$\mu\text{A}$
$V_{ICL}$	Input clamp voltage	$I_{IN} = 10\text{ mA}$ $I_{IN} = -10\text{ mA}$		6 -0.7		V V

1. The  $V_{IH}$  is internally clamped at 6V about. It is possible to connect this pin to an higher voltage via an external resistor calculated to not exceed 10 mA at the input pin.

**Table 7. Protections and diagnostics**

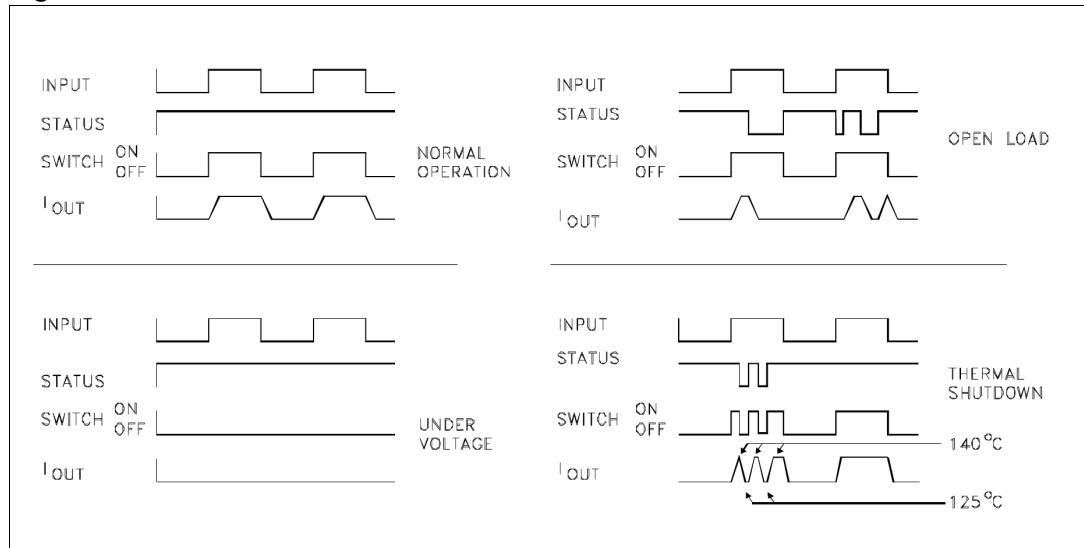
Symbol	Parameter	Test conditions	Min.	Typ.	Max.	Unit
$V_{STAT}^{(1)}$	Status voltage output low	$I_{STAT} = 1.6\text{ mA}$			0.4	V
$V_{USD}$	Under voltage shutdown			6.5		V
$V_{SCL}^{(1)}$	Status clamp voltage	$I_{STAT} = 10\text{ mA}$ $I_{STAT} = -10\text{ mA}$		6 -0.7		V V
$t_{SC}$	Switch-off time in short circuit condition at start-up	$R_{LOAD} < 10\text{ m}\Omega$ $T_c = 25\text{ }^\circ\text{C}$		1.5	5	ms
$I_{OV}$	Over current	$R_{LOAD} < 10\text{ m}\Omega$ $-40 \leq T_c \leq 125\text{ }^\circ\text{C}$			60	A
$I_{AV}$	Average current in short circuit	$R_{LOAD} < 10\text{ m}\Omega$ $T_c = 85\text{ }^\circ\text{C}$		1.4		A
$I_{OL}$	Open load current level		5		180	mA
$T_{TSD}$	Thermal shutdown temperature		140			$^\circ\text{C}$
$T_R$	Reset temperature		125			$^\circ\text{C}$

1. Status determination > 100  $\mu\text{s}$  after the switching edge.

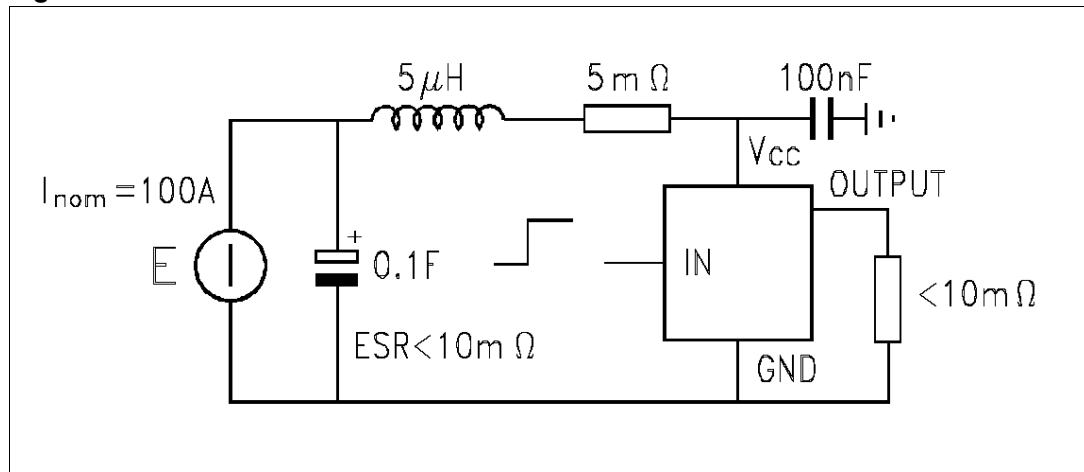
**Table 8. Truth table**

Conditions	Input	Output	Diagnostic
Normal operation	L	L	H
	H	H	H
Open circuit (no load)	H	H	L
Over-temperature	H	L	L
Under-voltage	X	L	H

**Figure 4. Waveforms**

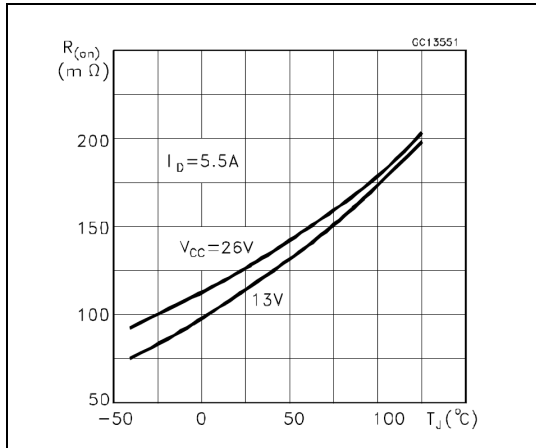


**Figure 5. Over current test circuit**

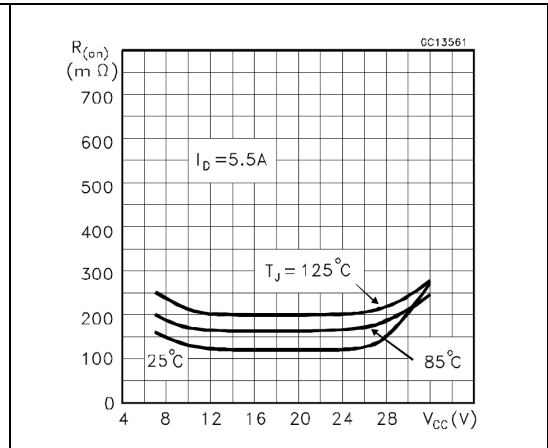


## 2.4 Electrical characteristics curves

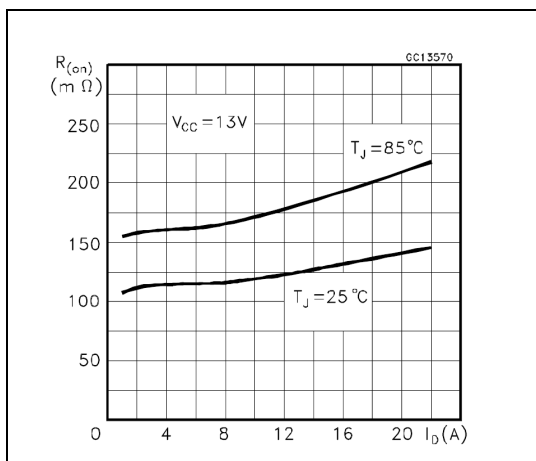
**Figure 6.  $R_{DS(on)}$  vs junction temperature**



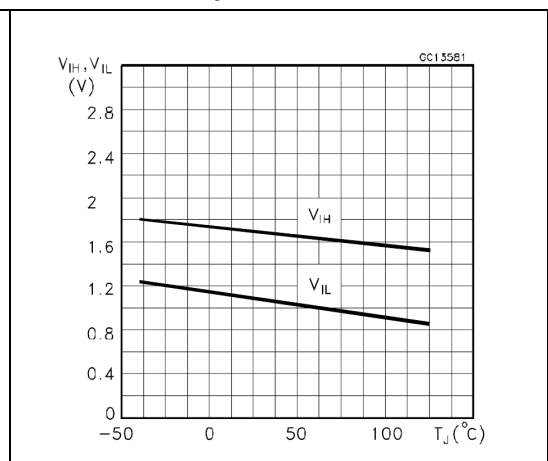
**Figure 7.  $R_{DS(on)}$  vs supply voltage**



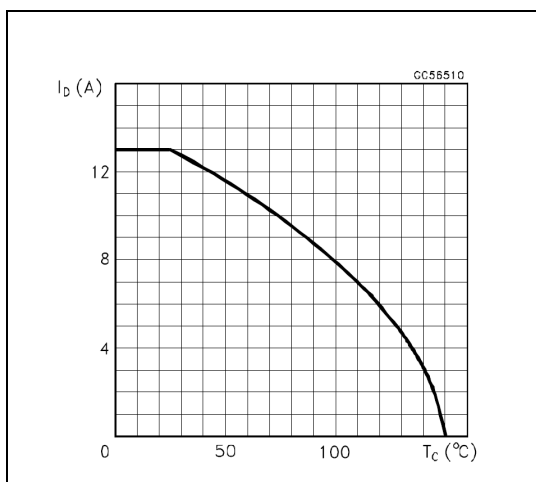
**Figure 8.  $R_{DS(on)}$  vs output current**



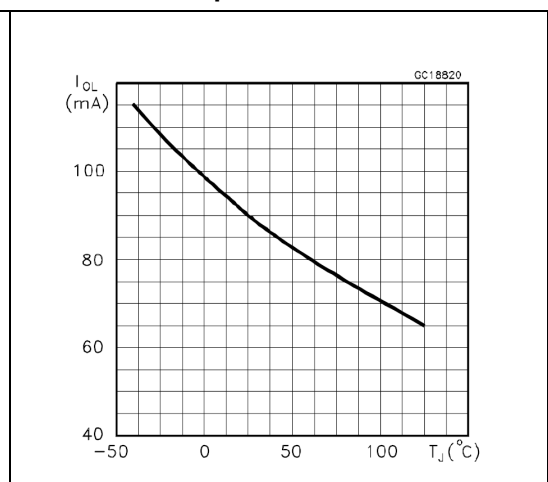
**Figure 9. Input voltages vs junction temperature**



**Figure 10. Output current derating**

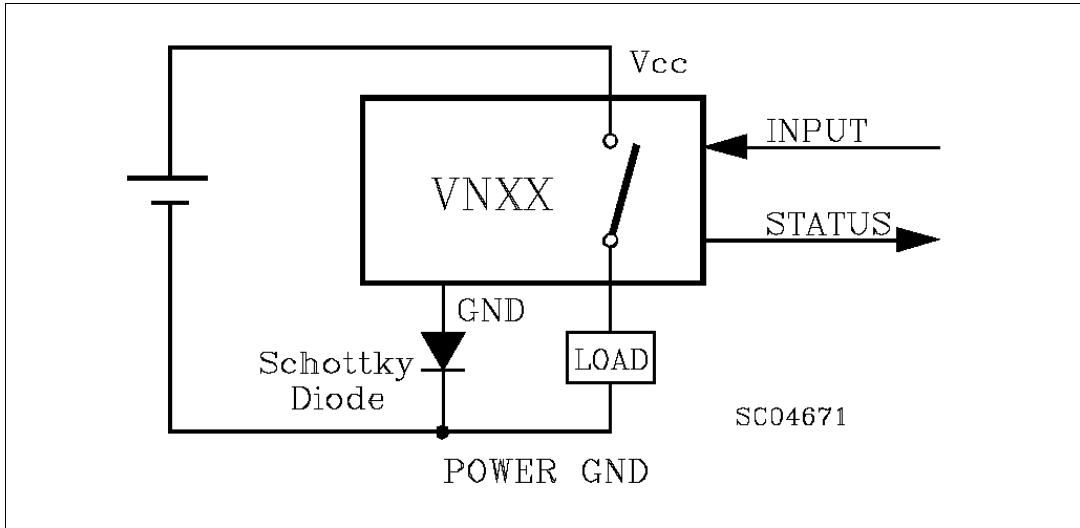


**Figure 11. Open load vs junction temperature**

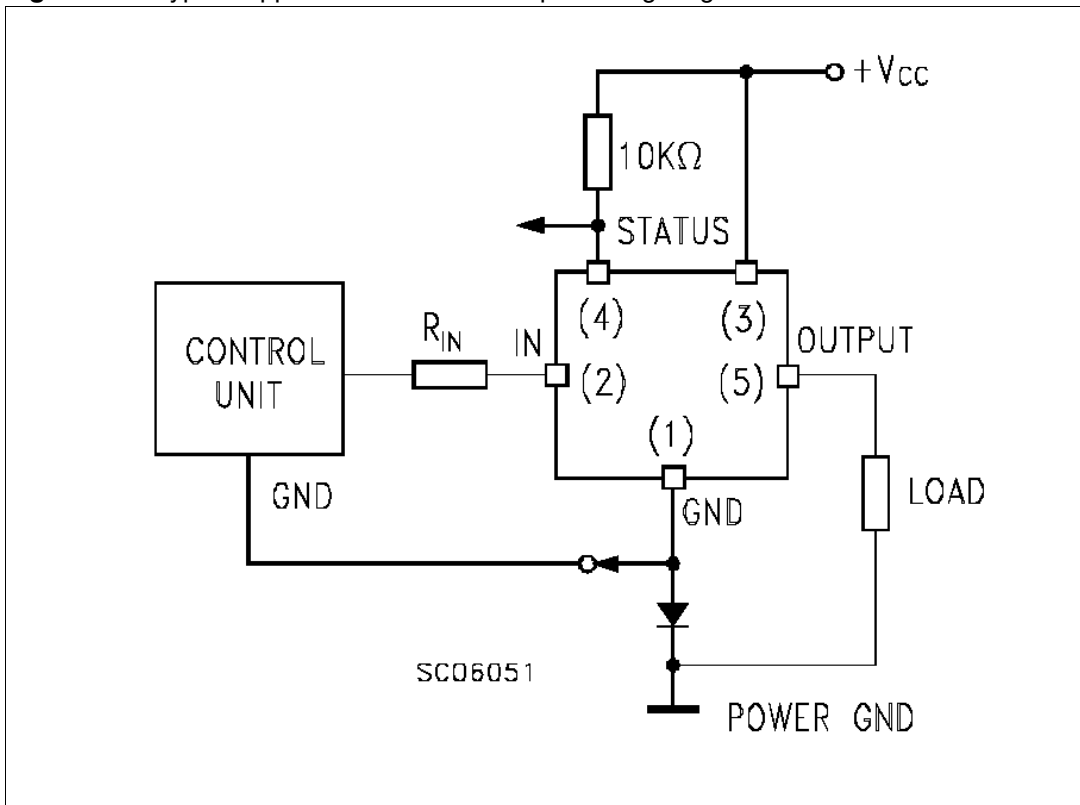


### 3 Application information

**Figure 12.** Typical application circuit with a schottky diode for reverse supply protection



**Figure 13.** Typical application circuit with separate signal ground



### 3.1 Functional description

The device has a diagnostic output which indicates open circuit (no load) and over temperature conditions. The output signals are processed by internal logic. To protect the device against short circuit and over-current condition, the thermal protection turns the integrated Power MOS off at a minimum junction temperature of 140°C. When the temperature returns to about 125°C the switch is automatically turned on again. In short circuit conditions the protection reacts with virtually no delay, the sensor being located in the region of the die where the heat is generated.

### 3.2 Protecting the device against reverse battery

The simplest way to protect the device against a continuous reverse battery voltage (-26V) is to insert a Schottky diode between pin 1 (GND) and ground, as shown in the typical application circuit ([Figure 12](#)).

The consequences of the voltage drop across this diode are as follows:

- If the input is pulled to power GND, a negative voltage of  $-V_F$  is seen by the device. ( $V_{IL}$ ,  $V_{IH}$  thresholds and  $V_{STAT}$  are increased by  $V_F$  with respect to power GND).
- The undervoltage shutdown level is increased by  $V_F$ .

If there is no need for the control unit to handle external analog signals referred to the power GND, the best approach is to connect the reference potential of the control unit to node [1] (see [Figure 13](#)), which becomes the common signal GND for the whole control board. In this way no shift of  $V_{IH}$ ,  $V_{IL}$  and  $V_{STAT}$  takes place and no negative voltage appears on the INPUT pin; this solution allows the use of a standard diode, with a breakdown voltage able to handle any ISO normalized negative pulses that occurs in the automotive environment.

## 4 Package and packing information

### 4.1 ECOPACK<sup>®</sup> packages

In order to meet environmental requirements, ST offers these devices in ECOPACK<sup>®</sup> packages. ECOPACK<sup>®</sup> packages are lead-free. The category of Second Level Interconnect is marked on the package and on the inner box label, in compliance with JEDEC Standard JESD97. The maximum ratings related to soldering conditions are also marked on the inner box label.

ECOPACK is an ST trademark. ECOPACK specifications are available at [www.st.com](http://www.st.com).

### 4.2 PENTAWATT mechanical data

Figure 14. PENTAWATT package dimensions

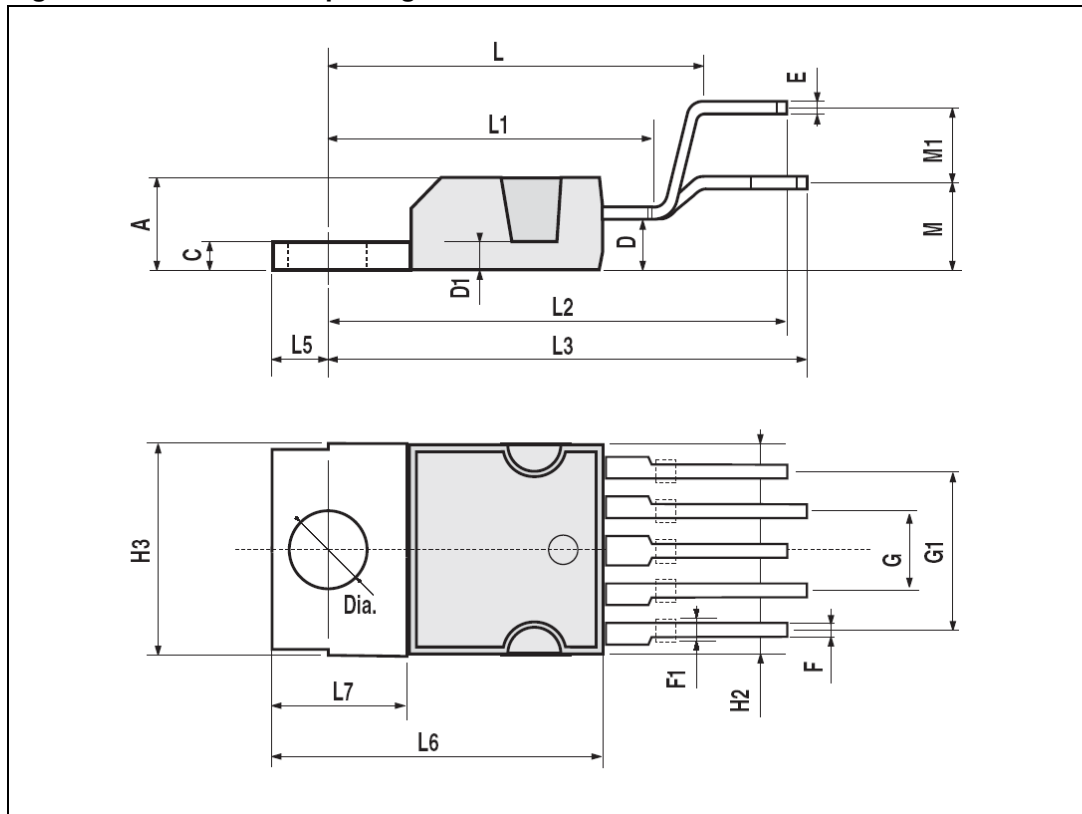


Table 9. PENTAWATT mechanical data

Dim.	mm		
	Min.	Typ.	Max.
A			4.8
C			1.37
D	2.4		2.8
D1	1.2		1.35
E	0.35		0.55
F	0.8		1.05
F1	1		1.4
G	3.2	3.4	3.6
G1	6.6	6.8	7
H2			10.4
H3	10.05		10.4
L		17.85	
L1		15.75	
L2		21.4	
L3		22.5	
L5	2.6		3
L6	15.1		15.8
L7	6		6.6
M		4.5	
M1		4	
Diam.	3.65		3.85

## 5 Revision history

Table 10. Document revision history

Date	Revision	Changes
Sep-1994	1	Initial release.
05-Nov-2008	2	Document converted in corporate template. Added <a href="#">Section 4.1: ECOPACK® packages</a> .

**Please Read Carefully:**

Information in this document is provided solely in connection with ST products. STMicroelectronics NV and its subsidiaries ("ST") reserve the right to make changes, corrections, modifications or improvements, to this document, and the products and services described herein at any time, without notice.

All ST products are sold pursuant to ST's terms and conditions of sale.

Purchasers are solely responsible for the choice, selection and use of the ST products and services described herein, and ST assumes no liability whatsoever relating to the choice, selection or use of the ST products and services described herein.

No license, express or implied, by estoppel or otherwise, to any intellectual property rights is granted under this document. If any part of this document refers to any third party products or services it shall not be deemed a license grant by ST for the use of such third party products or services, or any intellectual property contained therein or considered as a warranty covering the use in any manner whatsoever of such third party products or services or any intellectual property contained therein.

**UNLESS OTHERWISE SET FORTH IN ST'S TERMS AND CONDITIONS OF SALE ST DISCLAIMS ANY EXPRESS OR IMPLIED WARRANTY WITH RESPECT TO THE USE AND/OR SALE OF ST PRODUCTS INCLUDING WITHOUT LIMITATION IMPLIED WARRANTIES OF MERCHANTABILITY, FITNESS FOR A PARTICULAR PURPOSE (AND THEIR EQUIVALENTS UNDER THE LAWS OF ANY JURISDICTION), OR INFRINGEMENT OF ANY PATENT, COPYRIGHT OR OTHER INTELLECTUAL PROPERTY RIGHT.**

**UNLESS EXPRESSLY APPROVED IN WRITING BY AN AUTHORIZED ST REPRESENTATIVE, ST PRODUCTS ARE NOT RECOMMENDED, AUTHORIZED OR WARRANTED FOR USE IN MILITARY, AIR CRAFT, SPACE, LIFE SAVING, OR LIFE SUSTAINING APPLICATIONS, NOR IN PRODUCTS OR SYSTEMS WHERE FAILURE OR MALFUNCTION MAY RESULT IN PERSONAL INJURY, DEATH, OR SEVERE PROPERTY OR ENVIRONMENTAL DAMAGE. ST PRODUCTS WHICH ARE NOT SPECIFIED AS "AUTOMOTIVE GRADE" MAY ONLY BE USED IN AUTOMOTIVE APPLICATIONS AT USER'S OWN RISK.**

Resale of ST products with provisions different from the statements and/or technical features set forth in this document shall immediately void any warranty granted by ST for the ST product or service described herein and shall not create or extend in any manner whatsoever, any liability of ST.

ST and the ST logo are trademarks or registered trademarks of ST in various countries.

Information in this document supersedes and replaces all information previously supplied.

The ST logo is a registered trademark of STMicroelectronics. All other names are the property of their respective owners.

© 2008 STMicroelectronics - All rights reserved



STMicroelectronics group of companies

Australia - Belgium - Brazil - Canada - China - Czech Republic - Finland - France - Germany - Hong Kong - India - Israel - Italy - Japan - Malaysia - Malta - Morocco - Singapore - Spain - Sweden - Switzerland - United Kingdom - United States of America

[www.st.com](http://www.st.com)

## Looking for pricing, stock, or lifecycle information?

Click below to explore more details on WIN SOURCE:

-  [View VN05N on WIN SOURCE](#)
-  [STMicroelectronics Information](#)

## Optimize Your Supply Chain with WIN SOURCE Solutions

-  Global Sourcing Solution
-  Obsolete Management
-  Cost Control Management
-  Shortage Management
-  Alternative Solution
-  Excess Inventory Management