



# NCV4269

## 5.0 V Micropower 150 mA LDO Linear Regulator with DELAY, Adjustable RESET, and Sense Output

The NCV4269 is a 5.0 V precision micropower voltage regulator with an output current capability of 150 mA.

The output voltage is accurate within  $\pm 2.0\%$  with a maximum dropout voltage of 0.5 V at 100 mA. Low quiescent current is a feature drawing only 240  $\mu\text{A}$  with a 1.0 mA load. This part is ideal for any and all battery operated microprocessor equipment.

Microprocessor control logic includes an active reset output RO with delay and a SI/SO monitor which can be used to provide an early warning signal to the microprocessor of a potential impending reset signal. The use of the SI/SO monitor allows the microprocessor to finish any signal processing before the reset shuts the microprocessor down.

The active Reset circuit operates correctly at an output voltage as low as 1.0 V. The Reset function is activated during the power up sequence or during normal operation if the output voltage drops outside the regulation limits.

The reset threshold voltage can be decreased by the connection of an external resistor divider to the  $R_{\text{ADJ}}$  lead. The regulator is protected against reverse battery, short circuit, and thermal overload conditions. The device can withstand load dump transients making it suitable for use in automotive environments. The device has also been optimized for EMC conditions.

### Features

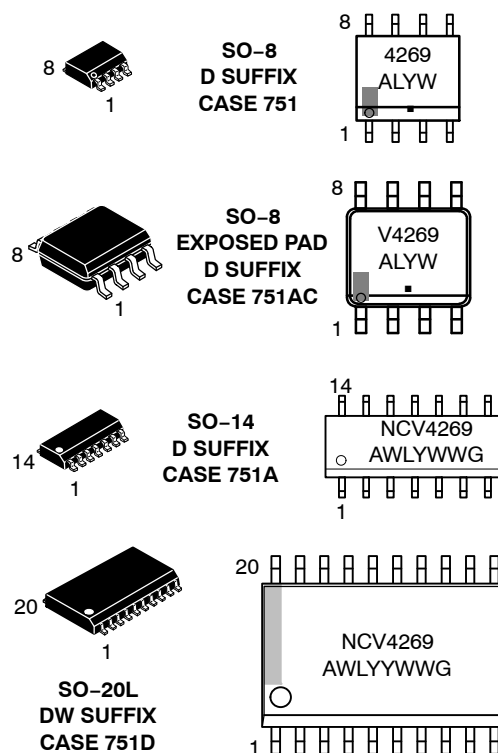
- 5.0 V  $\pm 2.0\%$  Output
- Low 240  $\mu\text{A}$  Quiescent Current
- Active Reset Output Low Down to  $V_Q = 1.0$  V
- Adjustable Reset Threshold
- 150 mA Output Current Capability
- Fault Protection
  - ◆ +60 V Peak Transient Voltage
  - ◆ -40 V Reverse Voltage
  - ◆ Short Circuit
  - ◆ Thermal Overload
- Early Warning through SI/SO Leads
- Internally Fused Leads in SO-14 and SO-20L Packages
- Integrated Pullup Resistor at Logic Outputs (To Use External Resistors, Select the NCV4279)
- Very Low Dropout Voltage
- Electrical Parameters Guaranteed Over Entire Temperature Range
- NCV Prefix for Automotive and Other Applications Requiring Site and Control Changes
- These are Pb-Free Devices



ON Semiconductor®

<http://onsemi.com>

### MARKING DIAGRAMS



A = Assembly Location  
WL, L = Wafer Lot  
YY, Y = Year  
WW, W = Work Week  
G, ■ = Pb Free

### ORDERING INFORMATION

See detailed ordering and shipping information in the package dimensions section on page 13 of this data sheet.

# NCV4269

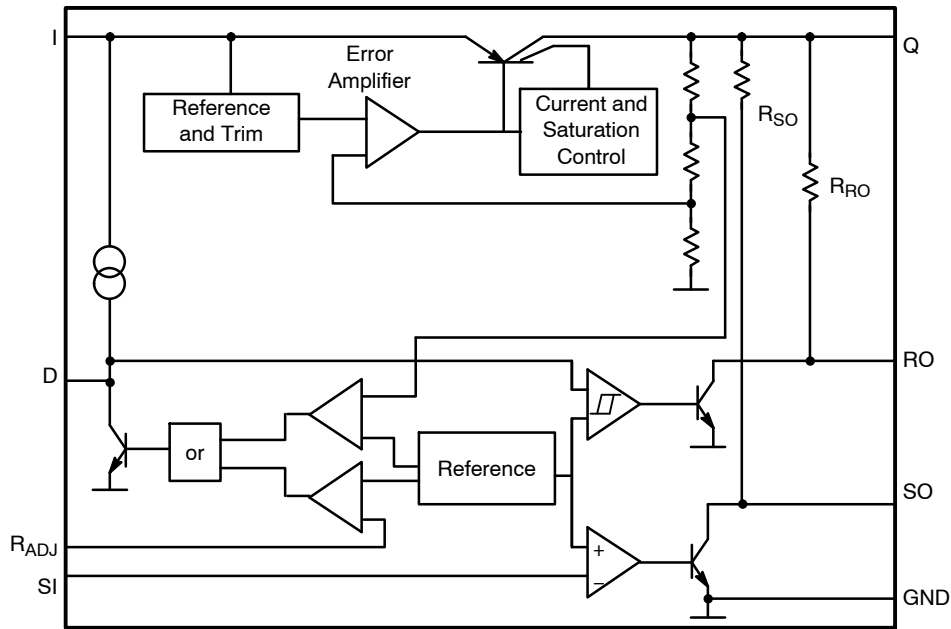
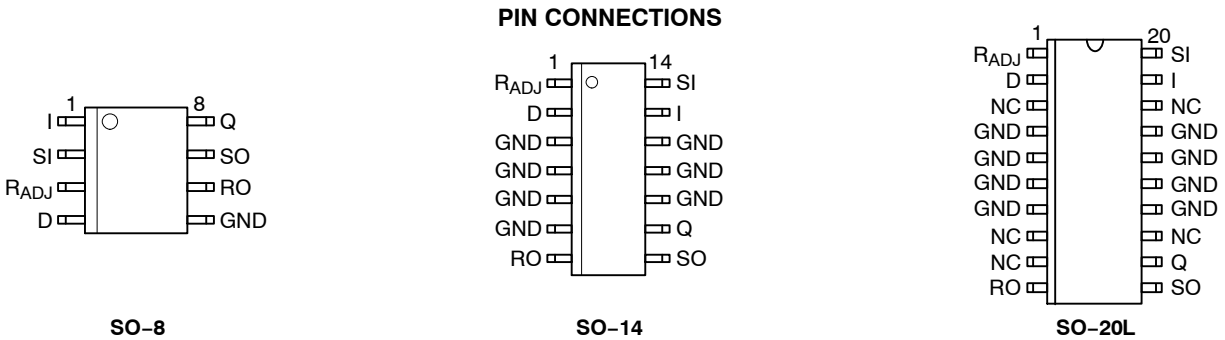


Figure 1. Block Diagram



## PACKAGE PIN DESCRIPTION

| Package Pin Number |         |                        |                            | Pin Symbol       | Function  |
|--------------------|---------|------------------------|----------------------------|------------------|---|
| SO-8               | SO-8 EP | SO-14                  | SO-20L                     |                  |   |
| 3                  | 3       | 1                      | 1                          | R <sub>ADJ</sub> | Reset Threshold Adjust; if not used to connect to GND.  |
| 4                  | 4       | 2                      | 2                          | D                | Reset Delay; To Set Time Delay, Connect to GND with Capacitor   |
| 5                  | 5       | 3, 4, 5, 6, 10, 11, 12 | 4, 5, 6, 7, 14, 15, 16, 17 | GND              | Ground  |
| -                  | -       | -                      | 3, 8, 9, 13, 18            | NC               | No connection to these pins from the IC.  |
| 6                  | 6       | 7                      | 10                         | RO               | Reset Output; The Open-Collector Output has a 20 kΩ Pullup Resistor to Q. Leave Open if Not Used.                       |
| 7                  | 7       | 8                      | 11                         | SO               | Sense Output; This Open-Collector Output is Internally Pulled Up by 20 kΩ pullup resistor to Q. If not used, keep open. |
| 8                  | 8       | 9                      | 12                         | Q                | 5 V Output; Connect to GND with a 10 μF Capacitor, ESR < 10 Ω.  |
| 1                  | 1       | 13                     | 19                         | I                | Input; Connect to GND Directly at the IC with a Ceramic Capacitor.  |
| 2                  | 2       | 14                     | 20                         | SI               | Sense Input; If not used, Connect to Q.   |
| -                  | EPAD    | -                      | -                          | EPAD             | Connect to ground potential or leave unconnected  |

# NCV4269

## MAXIMUM RATINGS (T<sub>J</sub> = -40°C to 150°C)

| Parameter                            | Symbol                                 | Min                        | Max                      | Unit    |
|--------------------------------------|--|----------------------------|--------------------------|---------|
| Input to Regulator                   | V <sub>I</sub><br>I <sub>I</sub>       | -40<br>Internally Limited  | 45<br>Internally Limited | V       |
| Input Transient to Regulator         | V <sub>I</sub>                         | -                          | 60                       | V       |
| Sense Input                          | V <sub>SI</sub><br>I <sub>SI</sub>     | -40<br>-1                  | 45<br>1                  | V<br>mA |
| Reset Threshold Adjust               | V <sub>RADJ</sub><br>I <sub>RADJ</sub> | -0.3<br>-10                | 7<br>10                  | V<br>mA |
| Reset Delay                          | V <sub>D</sub><br>I <sub>D</sub>       | -0.3<br>Internally Limited | 7<br>Internally Limited  | V       |
| Ground                               | I <sub>q</sub>                         | 50                         | -                        | mA      |
| Reset Output                         | V <sub>RO</sub><br>I <sub>RO</sub>     | -0.3<br>Internally Limited | 7<br>Internally Limited  | V       |
| Sense Output                         | V <sub>SO</sub><br>I <sub>SO</sub>     | -0.3<br>Internally Limited | 7<br>Internally Limited  | V       |
| Regulated Output                     | V <sub>Q</sub><br>I <sub>Q</sub>       | -0.5<br>-10                | 7.0<br>-                 | V<br>mA |
| Junction Temperature                 | T <sub>J</sub>                         | -                          | 150                      | °C      |
| Storage Temperature                  | T <sub>STG</sub>                       | -50                        | 150                      | °C      |
| Input Voltage Operating Range        | V <sub>I</sub>                         | -                          | 45                       | V       |
| Junction Temperature Operating Range | T <sub>J</sub>                         | -40                        | 150                      | °C      |

## LEAD TEMPERATURE SOLDERING AND MSL

| Parameter  | Symbol | Value |
|--|--------|-------|
| MSL, 20-Lead LS Temperature 265°C Peak (Note 3)          | MSL    | 3     |
| MSL, 20-Lead, LS Temperature 240°C Peak (Note 4)         | MSL    | 1     |
| MSL, 8-Lead, 14-Lead, LS Temperature 265°C Peak (Note 3) | MSL    | 1     |
| MSL, 8-Lead EP, LS Temperature 260°C                     | MSL    | 2     |

Stresses exceeding Maximum Ratings may damage the device. Maximum Ratings are stress ratings only. Functional operation above the Recommended Operating Conditions is not implied. Extended exposure to stresses above the Recommended Operating Conditions may affect device reliability.

- This device series incorporates ESD protection and exceeds the following ratings:  
Human Body Model (HBM) ≤ 2.0 kV per JEDEC standard: JESD22-A114.  
Machine Model (MM) ≤ 200 V per JEDEC standard: JESD22-A115.
- Latchup Current Maximum Rating: ≤ 150 mA per JEDEC standard: JESD78.
- +5°C/-0°C, 40 Sec Max-at-Peak, 60 - 150 Sec above 217°C.
- +5°C/-0°C, 30 Sec Max-at-Peak, 60 - 150 Sec above 183°C.

**THERMAL CHARACTERISTICS**

| Characteristic  | Test Conditions (Typical Values) | Unit |
|---|----------------------------------|------|
| <b>SO-8 Package (Note 5)</b>  |                                  |      |
| Junction-to-Pin 4 ( $\Psi - JL4, \Psi_{L4}$ )                           | 53.8                             | °C/W |
| Junction-to-Ambient Thermal Resistance ( $R_{\theta JA}, \theta_{JA}$ ) | 170.9                            | °C/W |
| <b>SO-8 EP Package (Note 5)</b>   |                                  |      |
| Junction-to-Pin 8 ( $\Psi - JL8, \Psi_{L8}$ )                           | 23.7                             | °C/W |
| Junction-to-Ambient Thermal Resistance ( $R_{\theta JA}, \theta_{JA}$ ) | 71.4                             | °C/W |
| Junction-to-Pad ( $\Psi - JPad$ )                                       | 7.7                              | °C/W |
| <b>SO-14 Package (Note 5)</b>   |                                  |      |
| Junction-to-Pin 4 ( $\Psi - JL4, \Psi_{L4}$ )                           | 18.4                             | °C/W |
| Junction-to-Ambient Thermal Resistance ( $R_{\theta JA}, \theta_{JA}$ ) | 111.6                            | °C/W |
| <b>SO-20 Package (Note 5)</b>   |                                  |      |
| Junction-to-Pin 4 ( $\Psi - JL4, \Psi_{L4}$ )                           | 21.8                             | °C/W |
| Junction-to-Ambient Thermal Resistance ( $R_{\theta JA}, \theta_{JA}$ ) | 95.3                             | °C/W |

5. 2 oz copper, 50 mm<sup>2</sup> copper area, 1.5 mm thick FR4

# NCV4269

## ELECTRICAL CHARACTERISTICS ( $T_J = -40^{\circ}\text{C} \leq T_J \leq 125^{\circ}\text{C}$ , $V_I = 13.5\text{ V}$ unless otherwise specified)

| Characteristic | Symbol | Test Conditions | Min | Typ | Max | Unit |
|----------------|--------|-----------------|-----|-----|-----|------|
|----------------|--------|-----------------|-----|-----|-----|------|

### REGULATOR

|  |              |  |      |      |      |               |
|--|--------------|--|------|------|------|---------------|
| Output Voltage                         | $V_Q$        | $1\text{ mA} \leq I_Q \leq 100\text{ mA}$ , $6\text{ V} \leq V_I \leq 16\text{ V}$ | 4.90 | 5.00 | 5.10 | V             |
| Current Limit                          | $I_Q$        | -  | 150  | 200  | 500  | mA            |
| Current Consumption; $I_q = I_I - I_Q$ | $I_q$        | $I_Q = 1\text{ mA}$ , RO, SO High  | -    | 190  | 250  | $\mu\text{A}$ |
| Current Consumption; $I_q = I_I - I_Q$ | $I_q$        | $I_Q = 10\text{ mA}$ , RO, SO High   | -    | 250  | 450  | $\mu\text{A}$ |
| Current Consumption; $I_q = I_I - I_Q$ | $I_q$        | $I_Q = 50\text{ mA}$ , RO, SO High   | -    | 2.0  | 3.0  | mA            |
| Dropout Voltage                        | $V_{dr}$     | $V_I = 5\text{ V}$ , $I_Q = 100\text{ mA}$   | -    | 0.25 | 0.5  | V             |
| Load Regulation                        | $\Delta V_Q$ | $I_Q = 5\text{ mA}$ to $100\text{ mA}$   | -    | 10   | 20   | mV            |
| Line Regulation                        | $\Delta V_Q$ | $V_I = 6\text{ V}$ to $26\text{ V}$ , $I_Q = 1\text{ mA}$                          | -    | 10   | 30   | mV            |

### RESET GENERATOR

|                                       |               |                               |      |      |      |               |
|---------------------------------------|---------------|-------------------------------|------|------|------|---------------|
| Reset Switching Threshold             | $V_{RT}$      | -                             | 4.50 | 4.65 | 4.80 | V             |
| Reset Adjust Switching Threshold      | $V_{RADJ,TH}$ | $V_Q > 3.5\text{ V}$          | 1.26 | 1.35 | 1.44 | V             |
| Reset Pullup Resistance               | $R_{SO,INT}$  | -                             | 10   | 20   | 40   | k $\Omega$    |
| Reset Output Saturation Voltage       | $V_{RO,SAT}$  | $V_Q < V_{RT}$ , $R_{RO,INT}$ | -    | 0.1  | 0.4  | V             |
| Upper Delay Switching Threshold       | $V_{UD}$      | -                             | 1.4  | 1.8  | 2.2  | V             |
| Lower Delay Switching Threshold       | $V_{LD}$      | -                             | 0.3  | 0.45 | 0.60 | V             |
| Saturation Voltage on Delay Capacitor | $V_{D,SAT}$   | $V_Q < V_{RT}$                | -    | -    | 0.1  | V             |
| Charge Current                        | $I_{D,C}$     | $V_D = 1\text{ V}$            | 3.0  | 6.5  | 9.5  | $\mu\text{A}$ |
| Delay Time L $\rightarrow$ H          | $t_d$         | $C_D = 100\text{ nF}$         | 17   | 28   | -    | ms            |
| Delay Time H $\rightarrow$ L          | $t_{RR}$      | $C_D = 100\text{ nF}$         | -    | 1.0  | -    | $\mu\text{s}$ |

### INPUT VOLTAGE SENSE

|                                 |               |  |      |      |      |               |
|---------------------------------|---------------|--|------|------|------|---------------|
| Sense Threshold High            | $V_{SI,High}$ | -  | 1.24 | 1.31 | 1.38 | V             |
| Sense Threshold Low             | $V_{SI,Low}$  | -  | 1.16 | 1.20 | 1.28 | V             |
| Sense Output Saturation Voltage | $V_{SO,Low}$  | $V_{SI} < 1.20\text{ V}$ ; $V_Q > 3\text{ V}$ ; $R_{SO}$ | -    | 0.1  | 0.4  | V             |
| Sense Resistor Pullup           | $R_{SO,INT}$  | -  | 10   | 20   | 40   | k $\Omega$    |
| Sense Input Current             | $I_{SI}$      | -  | -1.0 | 0.1  | 1.0  | $\mu\text{A}$ |

# NCV4269

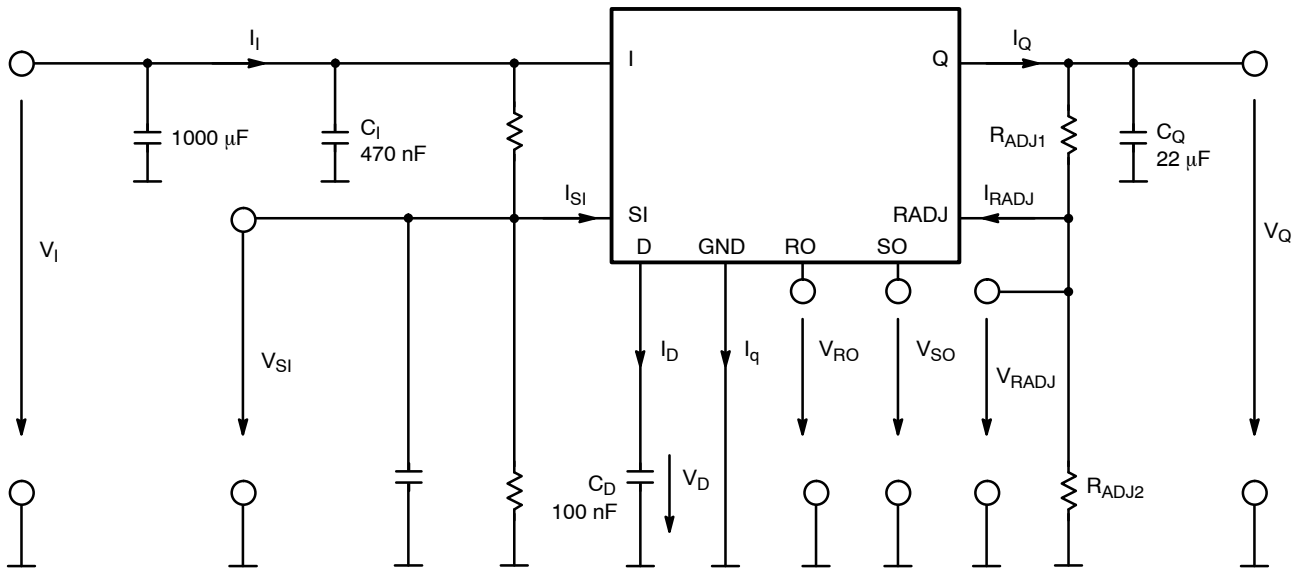


Figure 2. Measuring Circuit

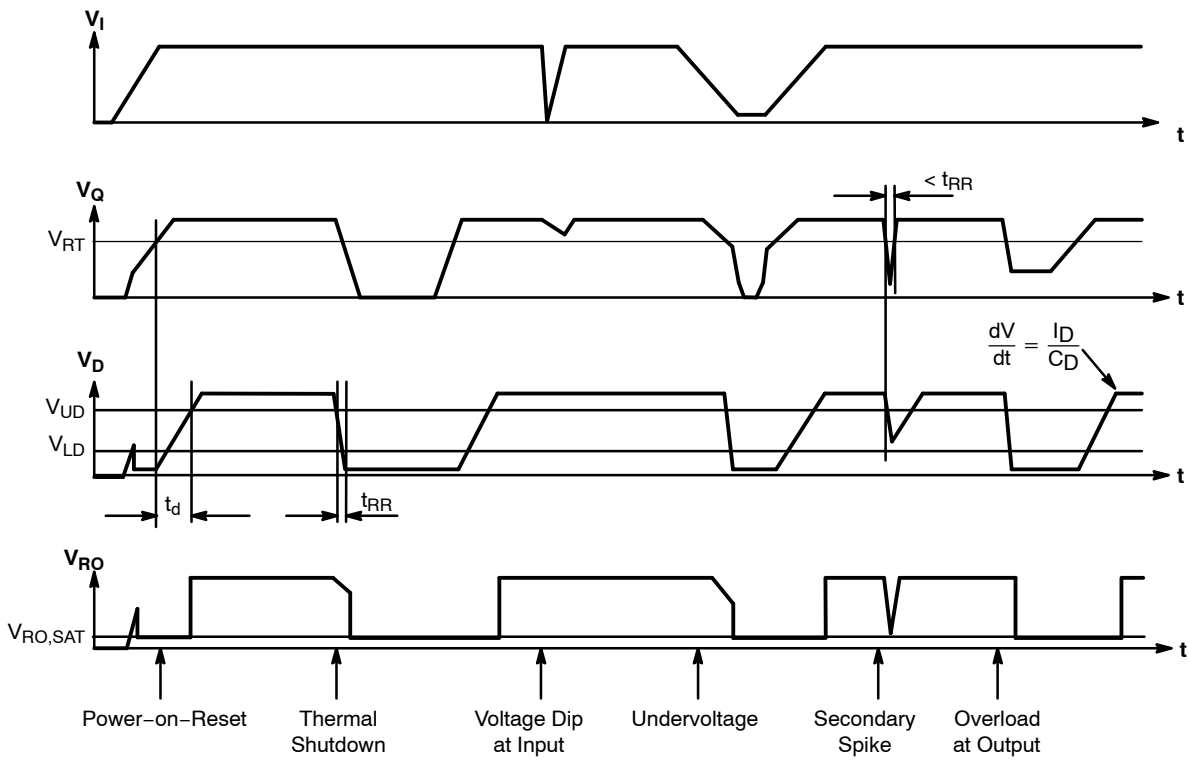


Figure 3. Reset Timing Diagram

# NCV4269

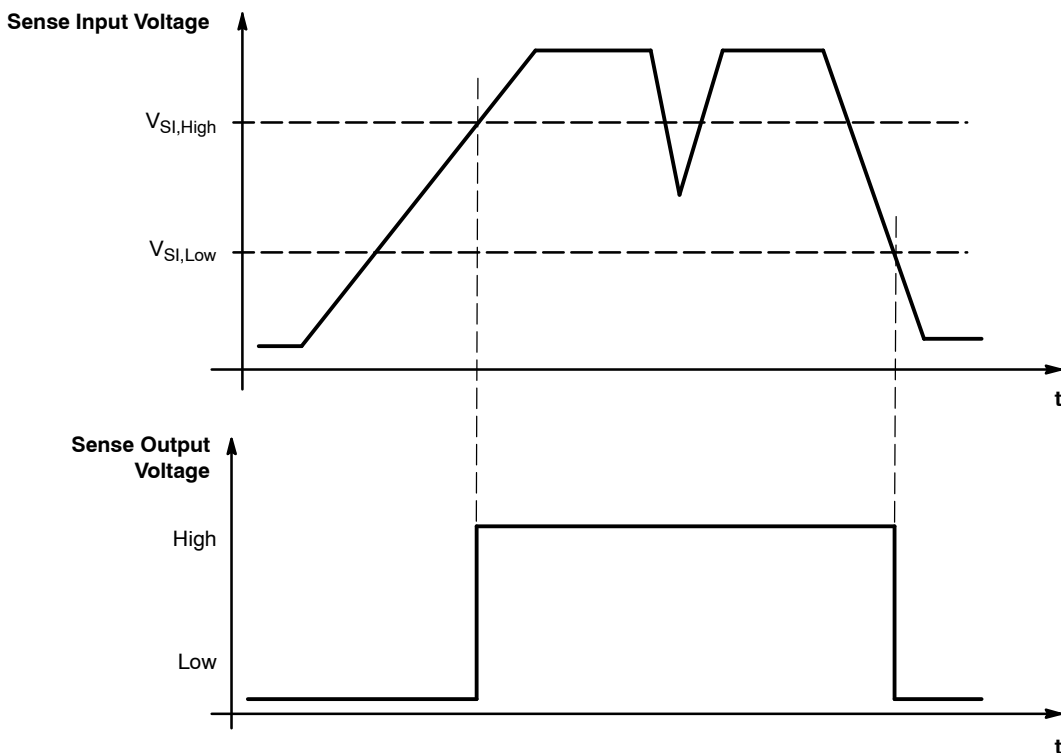


Figure 4. Sense Timing Diagram

## TYPICAL PERFORMANCE CHARACTERISTICS

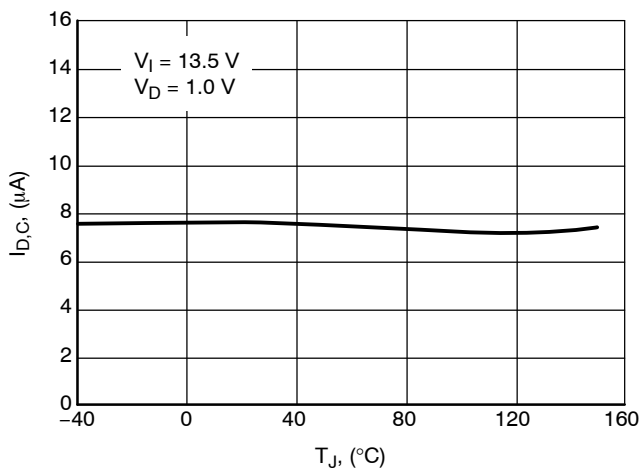


Figure 5. Charge Current  $I_{D,C}$  vs. Temperature  $T_J$

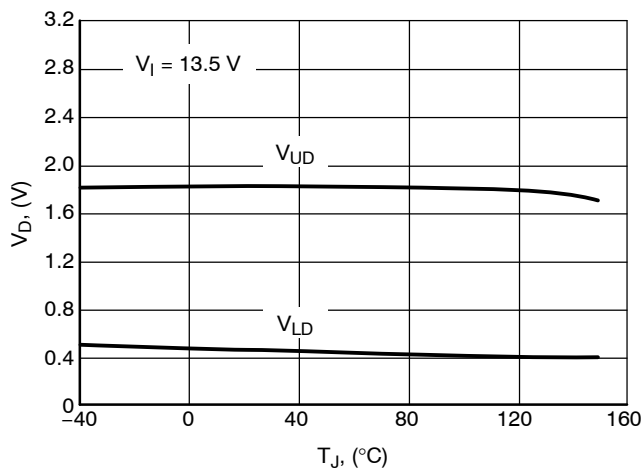


Figure 6. Switching Voltage  $V_{UD}$  and  $V_{LD}$  vs. Temperature  $T_J$

TYPICAL PERFORMANCE CHARACTERISTICS

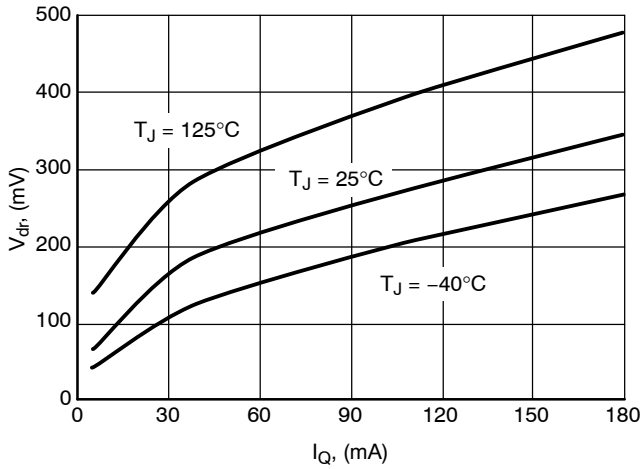


Figure 7. Drop Voltage  $V_{dr}$  vs. Output Current  $I_Q$

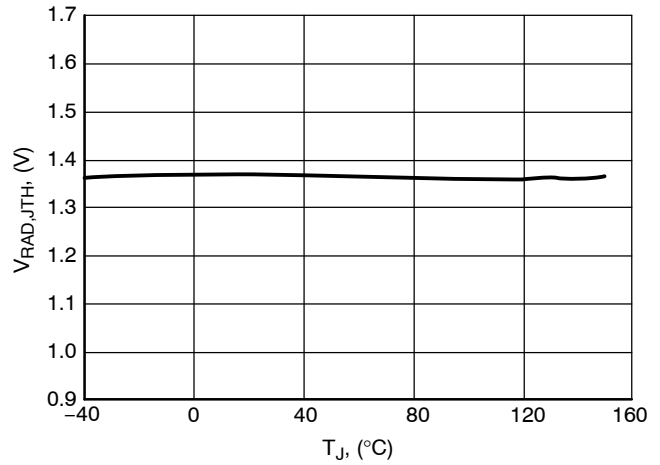


Figure 8. Reset Adjust Switching Threshold,  $V_{RADJ,TH}$  vs. Temperature  $T_J$

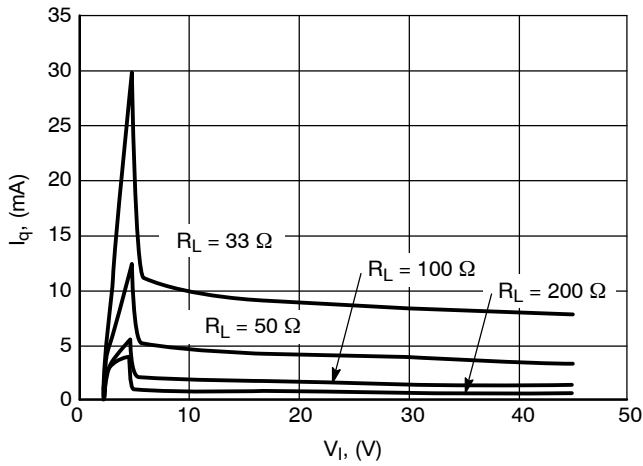


Figure 9. Current Consumption  $I_q$  vs. Input Voltage  $V_I$

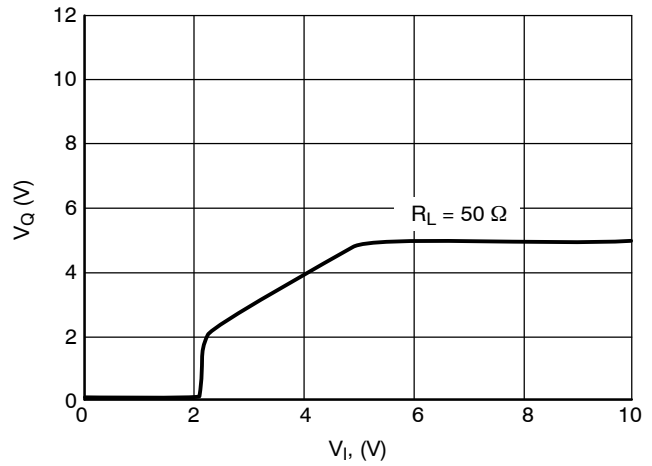


Figure 10. Output Voltage  $V_Q$  vs. Input Voltage  $V_I$

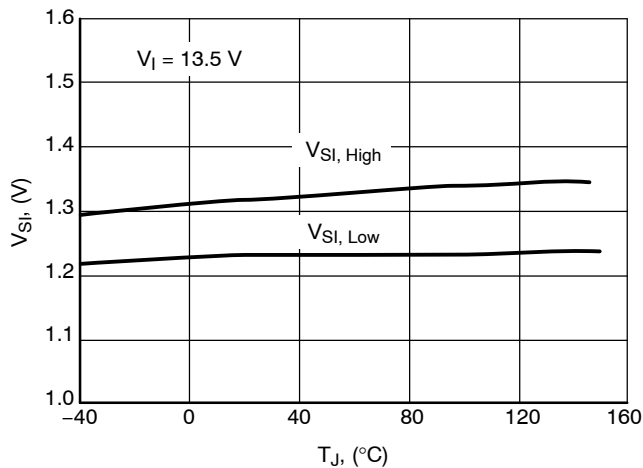


Figure 11. Sense Threshold  $V_{S1}$  vs. Temperature  $T_J$

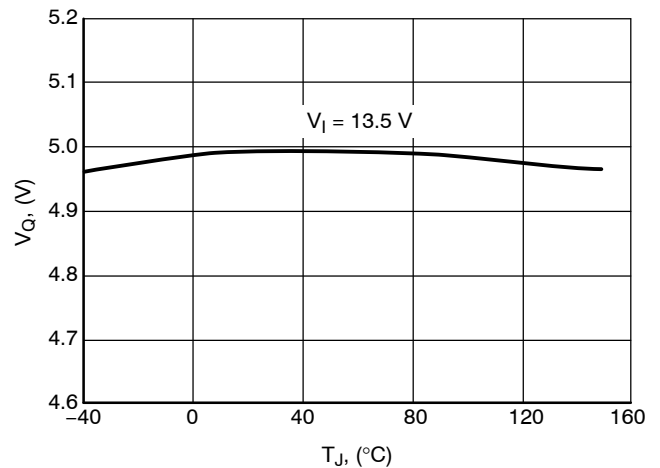


Figure 12. Output Voltage  $V_Q$  vs. Temperature  $T_J$

TYPICAL PERFORMANCE CHARACTERISTICS

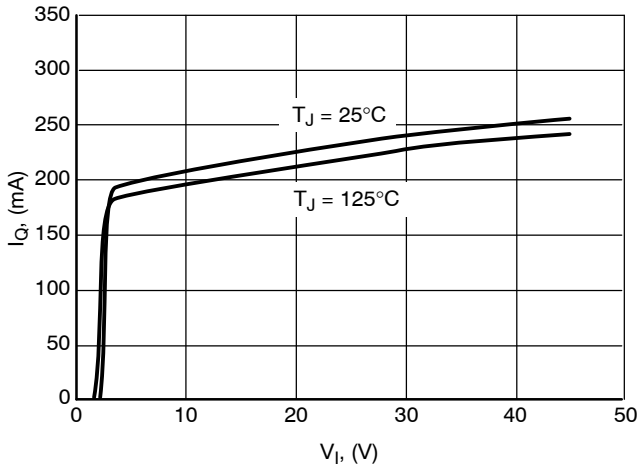


Figure 13. Output Current Limit  $I_Q$  vs. Input Voltage  $V_I$

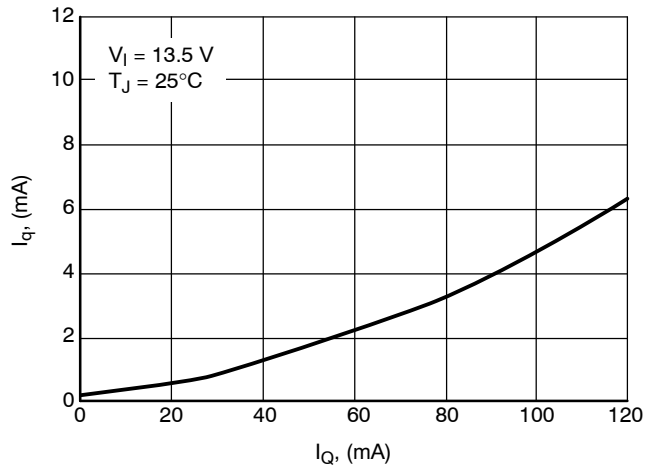


Figure 14. Current Consumption  $I_q$  vs. Output Current  $I_Q$

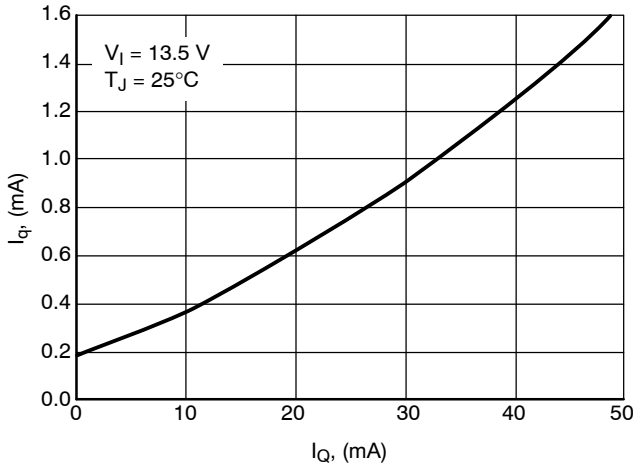


Figure 15. Current Consumption  $I_q$  vs. Output Current  $I_Q$

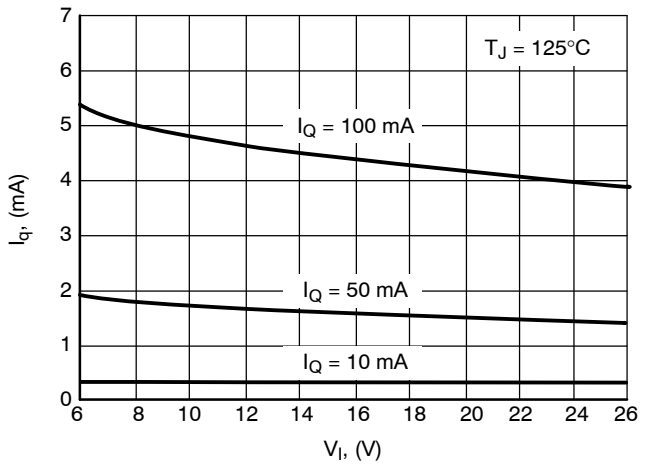


Figure 16. Quiescent Current  $I_q$  vs. Input Voltage  $V_I$

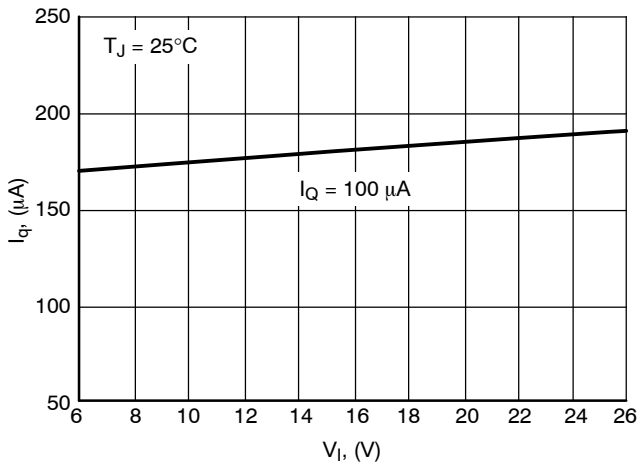


Figure 17. Quiescent Current  $I_q$  vs. Input Voltage  $V_I$

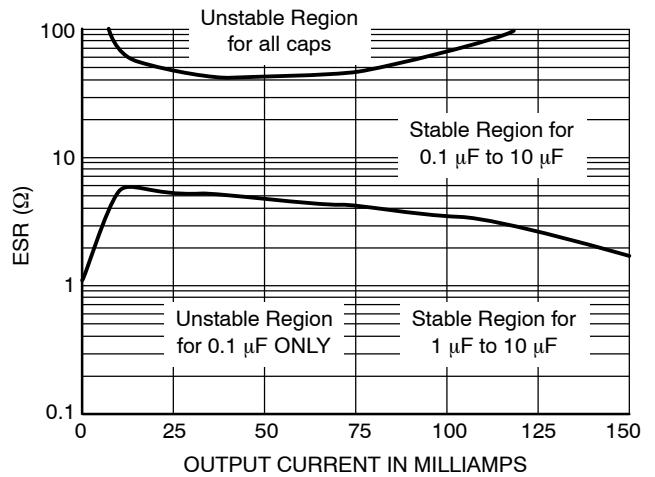


Figure 18. Output Stability, Capacitance ESR vs. Output Load Current

# NCV4269

## TYPICAL THERMAL CHARACTERISTICS

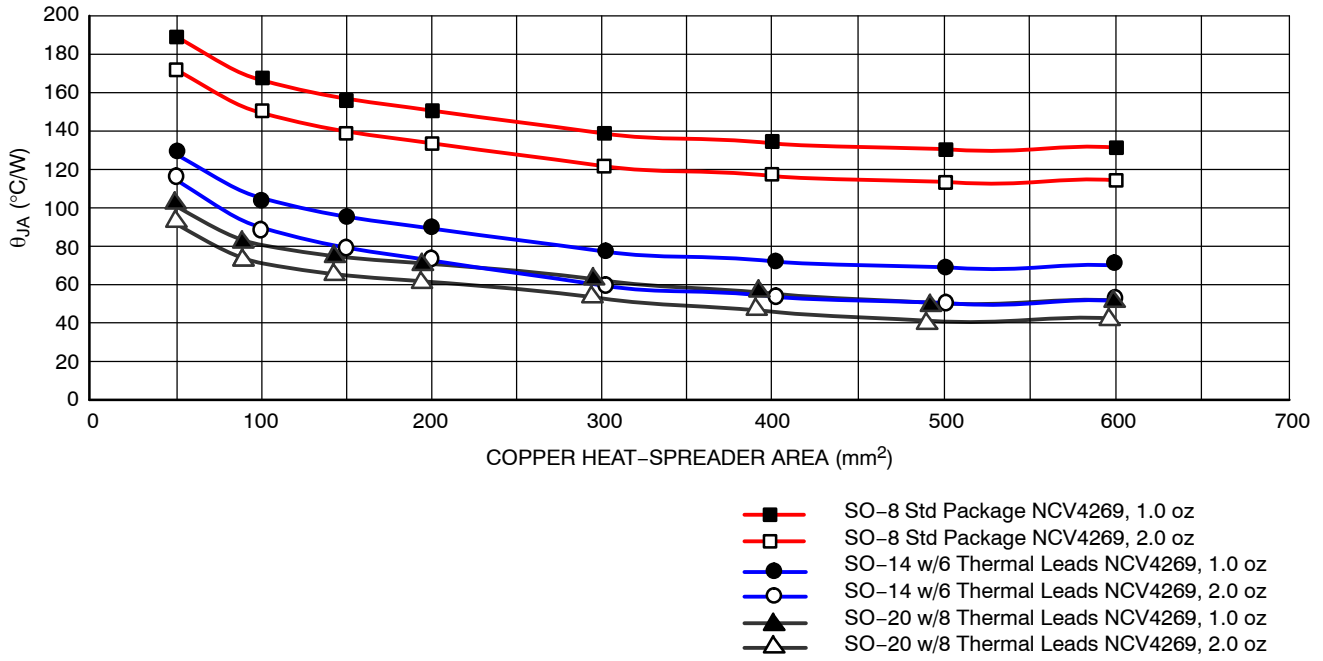


Figure 19. Junction-to-Ambient Thermal Resistance ( $\theta_{JA}$ ) vs. Heat Spreader Area

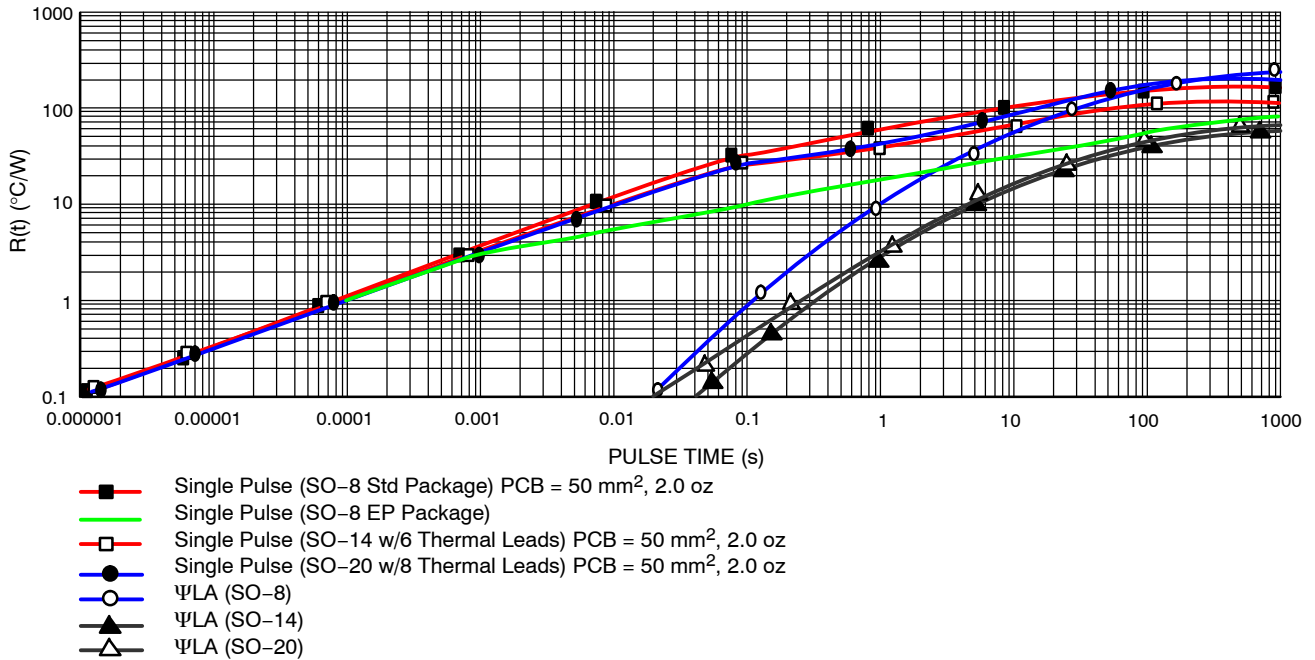


Figure 20.  $R(t)$  vs. Pulse Time

APPLICATION DESCRIPTION

OUTPUT REGULATOR

The output is controlled by a precision trimmed reference. The PNP output has base drive quiescent current control for regulation while the input voltage is low, preventing over saturation. Current limit and voltage monitors complement the regulator design to give safe operating signals to the processor and control circuits.

RESET OUTPUT (RO)

A reset signal, Reset Output, RO, (low voltage) is generated as the IC powers up. After the output voltage  $V_Q$  increases above the reset threshold voltage  $V_{RT}$ , the delay timer D is started. When the voltage on the delay timer  $V_D$  passes  $V_{UD}$ , the reset signal RO goes high. A discharge of the delay timer  $V_D$  is started when  $V_Q$  drops and stays below the reset threshold voltage  $V_{RT}$ . When the voltage of the delay timer  $V_D$  drops below the lower threshold voltage  $V_{LD}$  the reset output voltage  $V_{RO}$  is brought low to reset the processor.

The reset output RO is an open collector NPN transistor with an internal 20 kΩ pullup resistor connected to the output Q, controlled by a low voltage detection circuit. The circuit is functionally independent of the rest of the IC, thereby guaranteeing that RO is valid for  $V_Q$  as low as 1.0 V.

RESET ADJUST ( $R_{ADJ}$ )

The reset threshold  $V_{RT}$  can be decreased from a typical value of 4.65 V to as low as 3.5 V by using an external voltage divider connected from the Q lead to the pin  $R_{ADJ}$ , as shown in Figure 21. The resistor divider keeps the voltage above the  $V_{RADJ,TH}$  (typical 1.35 V) for the desired input voltages, and overrides the internal threshold detector. Adjust the voltage divider according to the following relationship:

$$V_{RT} = V_{RADJ,TH} \cdot (R_{ADJ1} + R_{ADJ2}) / R_{ADJ2} \quad (\text{eq. 1})$$

If the reset adjust option is not needed, the  $R_{ADJ}$  pin should be connected to GND causing the reset threshold to go to its default value (typically 4.65 V).

RESET DELAY (D)

The reset delay circuit provides a delay (programmable by capacitor  $C_D$ ) on the reset output lead RO. The delay lead D provides charge current  $I_{D,C}$  (typically 6.5  $\mu\text{A}$ ) to the external delay capacitor  $C_D$  during the following times:

1. During Powerup (once the regulation threshold has been exceeded).
2. After a reset event has occurred and the device is back in regulation. The delay capacitor is set to discharge when the regulation ( $V_{RT}$ , reset threshold voltage) has been violated. When the delay capacitor discharges to  $V_{LD}$ , the reset signal RO pulls low.

SETTING THE DELAY TIME

The delay time is set by the delay capacitor  $C_D$  and the charge current  $I_D$ . The time is measured by the delay capacitor voltage charging from the low level of  $V_{DSAT}$  to the higher level  $V_{UD}$ . The time delay follows the equation:

$$t_d = [C_D (V_{UD} - V_{D,SAT})] / I_{D,C} \quad (\text{eq. 2})$$

Example:

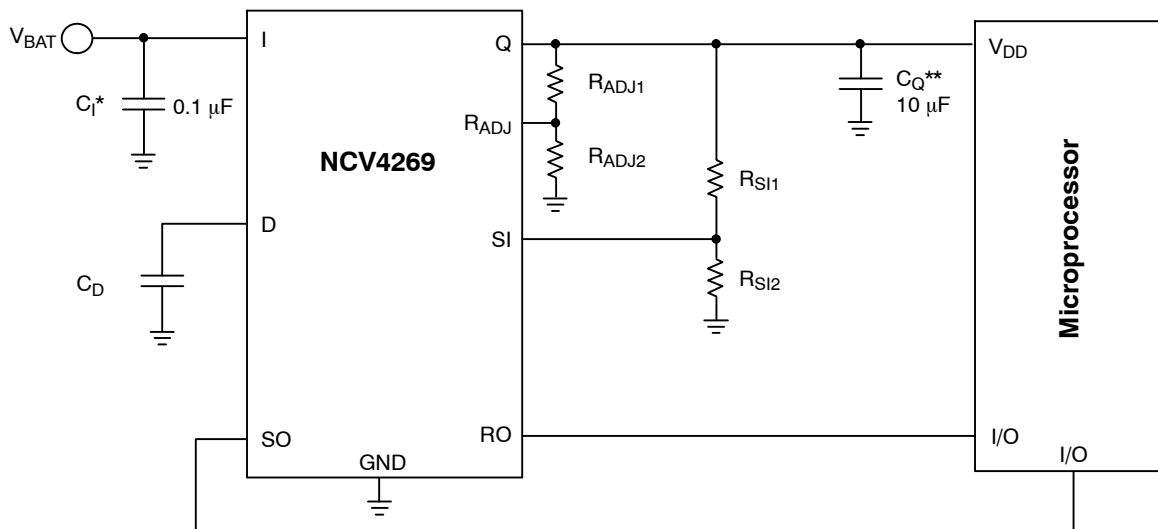
Using  $C_D = 100 \text{ nF}$ .

Use the typical value for  $V_{D,SAT} = 0.1 \text{ V}$ .

Use the typical value for  $V_{UD} = 1.8 \text{ V}$ .

Use the typical value for Delay Charge Current  $I_D = 6.5 \mu\text{A}$ .

$$t_d = [100 \text{ nF} (1.8 - 0.1 \text{ V})] / 6.5 \mu\text{A} = 26.2 \text{ ms} \quad (\text{eq. 3})$$



\* $C_1$  required if regulator is located far from the power supply filter.

\*\*  $C_Q$  required for Stability. Cap must operate at minimum temperature expected.

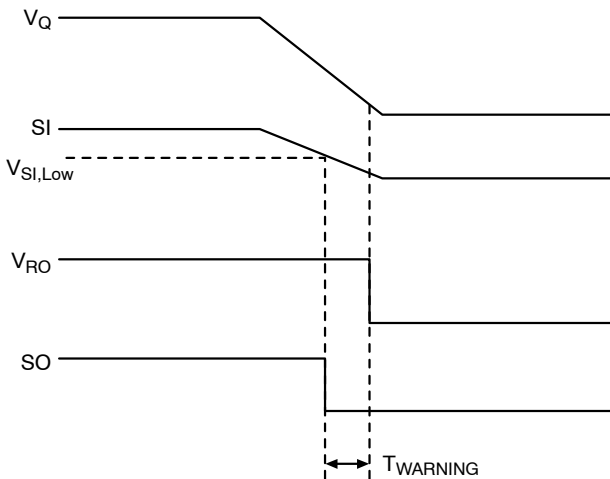
Figure 21. Application Diagram

**SENSE INPUT (SI) / SENSE OUTPUT (SO) VOLTAGE MONITOR**

An on-chip comparator is available to provide early warning to the microprocessor of a possible reset signal (Figure 4). The output is from an open collector driver with an internal 20 kΩ pull up resistor to output Q. The reset signal typically turns the microprocessor off instantaneously. This can cause unpredictable results with the microprocessor. The signal received from the SO pin will allow the microprocessor time to complete its present task before shutting down. This function is performed by a comparator referenced to the band gap voltage. The actual trip point can be programmed externally using a resistor divider to the input monitor SI (Figure 21). The values for R<sub>SI1</sub> and R<sub>SI2</sub> are selected for a typical threshold of 1.20 V on the SI Pin.

**SIGNAL OUTPUT**

Figure 22 shows the SO Monitor timing waveforms as a result of the circuit depicted in Figure 21. As the output voltage (V<sub>Q</sub>) falls, the monitor threshold (V<sub>SI,Low</sub>), is crossed. This causes the voltage on the SO output to go low sending a warning signal to the microprocessor that a reset signal may occur in a short period of time. T<sub>WARNING</sub> is the time the microprocessor has to complete the function it is currently working on and get ready for the reset shutdown signal.



**Figure 22. SO Warning Waveform Time Diagram**

**STABILITY CONSIDERATIONS**

The input capacitor C<sub>I</sub> in Figure 21 is necessary for compensating input line reactance. Possible oscillations caused by input inductance and input capacitance can be damped by using a resistor of approximately 1.0 Ω in series with C<sub>I</sub>.

The output or compensation capacitor helps determine three main characteristics of a linear regulator: startup delay, load transient response and loop stability.

The capacitor value and type should be based on cost, availability, size and temperature constraints. A tantalum or aluminum electrolytic capacitor is best, since a film or ceramic capacitor with almost zero ESR can cause

instability. The aluminum electrolytic capacitor is the least expensive solution, but, if the circuit operates at low temperatures (–25°C to –40°C), both the value and ESR of the capacitor will vary considerably. The capacitor manufacturer’s data sheet usually provides this information.

The value for the output capacitor C<sub>O</sub> shown in Figure 21 should work for most applications; however, it is not necessarily the optimized solution. Stability is guaranteed at values C<sub>O</sub> = 10 μF and an ESR = 10 Ω within the operating temperature range. Actual limits are shown in a graph in the typical data section.

**CALCULATING POWER DISSIPATION IN A SINGLE OUTPUT LINEAR REGULATOR**

The maximum power dissipation for a single output regulator (Figure 21) is:

$$P_{D(max)} = [V_{I(max)} - V_{Q(min)}]I_{Q(max)} + V_{I(max)}I_q \text{ (eq. 4)}$$

where:

V<sub>I(max)</sub> is the maximum input voltage,

V<sub>Q(min)</sub> is the minimum output voltage,

I<sub>Q(max)</sub> is the maximum output current for the application,

and I<sub>q</sub> is the quiescent current the regulator consumes at I<sub>Q(max)</sub>.

Once the value of P<sub>D(max)</sub> is known, the maximum permissible value of R<sub>θJA</sub> can be calculated:

$$R_{\theta JA} = (150^{\circ}\text{C} - T_A) / P_D \text{ (eq. 5)}$$

The value of R<sub>θJA</sub> can then be compared with those in the package section of the data sheet. Those packages with R<sub>θJA</sub>’s less than the calculated value in equation 2 will keep the die temperature below 150°C. In some cases, none of the packages will be sufficient to dissipate the heat generated by the IC, and an external heatsink will be required. The current flow and voltages are shown in the Measurement Circuit Diagram.

**HEATSINKS**

A heatsink effectively increases the surface area of the package to improve the flow of heat away from the IC and into the surrounding air.

Each material in the heat flow path between the IC and the outside environment will have a thermal resistance. Like series electrical resistances, these resistances are summed to determine the value of R<sub>θJA</sub>:

$$R_{\theta JA} = R_{\theta JC} + R_{\theta CS} + R_{\theta SA} \text{ (eq. 6)}$$

where:

R<sub>θJC</sub> = the junction-to-case thermal resistance,

R<sub>θCS</sub> = the case-to-heat sink thermal resistance, and

R<sub>θSA</sub> = the heat sink-to-ambient thermal resistance.

R<sub>θJC</sub> appears in the package section of the data sheet. Like R<sub>θJA</sub>, it too is a function of package type. R<sub>θCS</sub> and R<sub>θSA</sub> are functions of the package type, heatsink and the interface between them. These values appear in data sheets of heatsink manufacturers. Thermal, mounting, and heatsinking considerations are discussed in the ON Semiconductor application note AN1040/D, available on the ON Semiconductor website.

# NCV4269

## ORDERING INFORMATION

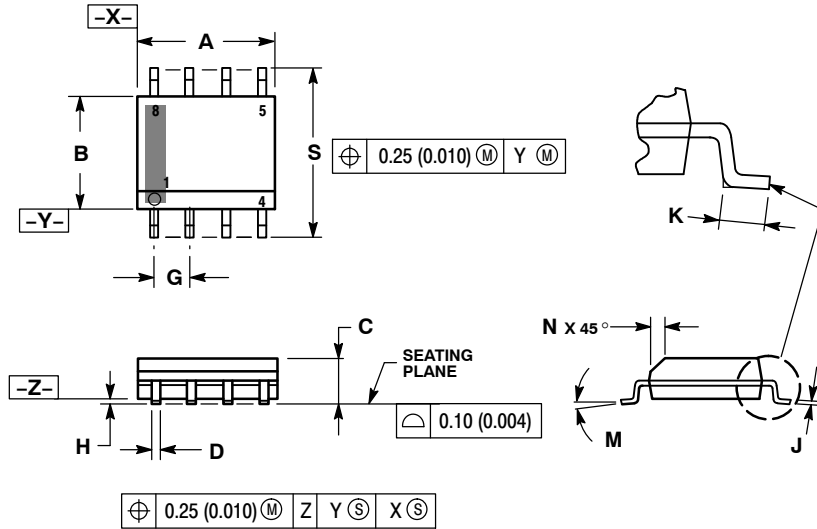
| Device       | Output Voltage | Package              | Shipping†        |
|--------------|----------------|----------------------|------------------|
| NCV4269D1G   | 5.0 V          | SO-8<br>(Pb-Free)    | 98 Units/Rail    |
| NCV4269D1R2G |                | SO-8<br>(Pb-Free)    | 2500 Tape & Reel |
| NCV4269PDG   |                | SO-8 EP<br>(Pb-Free) | 98 Units/Rail    |
| NCV4269PDR2G |                | SO-8 EP<br>(Pb-Free) | 2500 Tape & Reel |
| NCV4269D2G   |                | SO-14<br>(Pb-Free)   | 55 Units/Rail    |
| NCV4269D2R2G |                | SO-14<br>(Pb-Free)   | 2500 Tape & Reel |
| NCV4269DWG   |                | SO-20L<br>(Pb-Free)  | 38 Units/Rail    |
| NCV4269DWR2  |                | SO-20L               | 1000 Tape & Reel |
| NCV4269DWR2G |                | SO-20L<br>(Pb-Free)  |                  |

†For information on tape and reel specifications, including part orientation and tape sizes, please refer to our Tape and Reel Packaging Specifications Brochure, BRD8011/D.

# NCV4269

## PACKAGE DIMENSIONS

SOIC-8 NB  
CASE 751-07  
ISSUE AJ

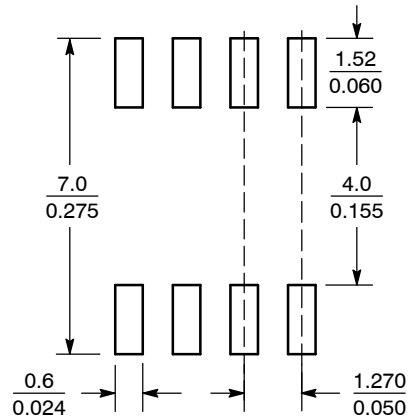


**NOTES:**

1. DIMENSIONING AND TOLERANCING PER ANSI Y14.5M, 1982.
2. CONTROLLING DIMENSION: MILLIMETER.
3. DIMENSION A AND B DO NOT INCLUDE MOLD PROTRUSION.
4. MAXIMUM MOLD PROTRUSION 0.15 (0.006) PER SIDE.
5. DIMENSION D DOES NOT INCLUDE DAMBAR PROTRUSION. ALLOWABLE DAMBAR PROTRUSION SHALL BE 0.127 (0.005) TOTAL IN EXCESS OF THE D DIMENSION AT MAXIMUM MATERIAL CONDITION.
6. 751-01 THRU 751-06 ARE OBSOLETE. NEW STANDARD IS 751-07.

| DIM | MILLIMETERS |      | INCHES    |       |
|-----|-------------|------|-----------|-------|
|     | MIN         | MAX  | MIN       | MAX   |
| A   | 4.80        | 5.00 | 0.189     | 0.197 |
| B   | 3.80        | 4.00 | 0.150     | 0.157 |
| C   | 1.35        | 1.75 | 0.053     | 0.069 |
| D   | 0.33        | 0.51 | 0.013     | 0.020 |
| G   | 1.27 BSC    |      | 0.050 BSC |       |
| H   | 0.10        | 0.25 | 0.004     | 0.010 |
| J   | 0.19        | 0.25 | 0.007     | 0.010 |
| K   | 0.40        | 1.27 | 0.016     | 0.050 |
| M   | 0°          | 8°   | 0°        | 8°    |
| N   | 0.25        | 0.50 | 0.010     | 0.020 |
| S   | 5.80        | 6.20 | 0.228     | 0.244 |

### SOLDERING FOOTPRINT\*

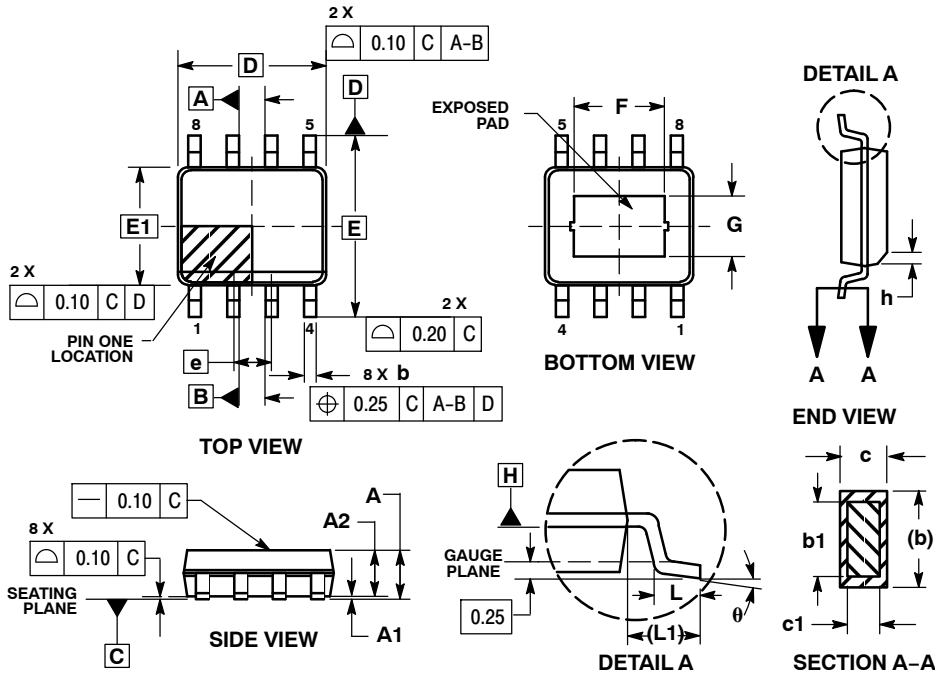


SCALE 6:1 ( $\frac{\text{mm}}{\text{inches}}$ )

\*For additional information on our Pb-Free strategy and soldering details, please download the ON Semiconductor Soldering and Mounting Techniques Reference Manual, SOLDERRM/D.

PACKAGE DIMENSIONS

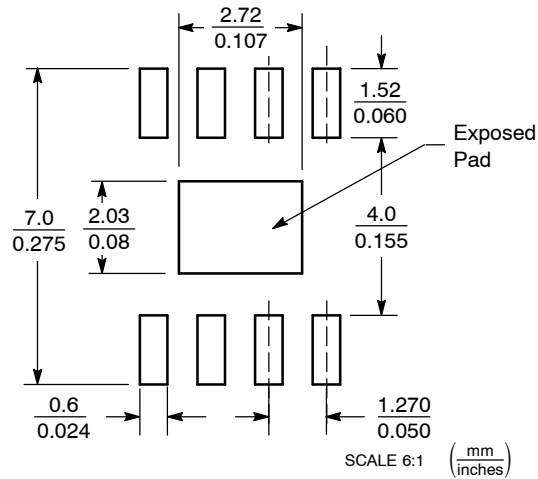
SOIC-8 EP  
CASE 751AC-01  
ISSUE B



- NOTES:
1. DIMENSIONS AND TOLERANCING PER ASME Y14.5M, 1994.
  2. DIMENSIONS IN MILLIMETERS (ANGLES IN DEGREES).
  3. DIMENSION b DOES NOT INCLUDE DAMBAR PROTRUSION. ALLOWABLE DAMBAR PROTRUSION SHALL BE 0.08 MM TOTAL IN EXCESS OF THE "b" DIMENSION AT MAXIMUM MATERIAL CONDITION.
  4. DATUMS A AND B TO BE DETERMINED AT DATUM PLANE H.

| DIM | MILLIMETERS |      |
|-----|-------------|------|
|     | MIN         | MAX  |
| A   | 1.35        | 1.75 |
| A1  | 0.00        | 0.10 |
| A2  | 1.35        | 1.65 |
| b   | 0.31        | 0.51 |
| b1  | 0.28        | 0.48 |
| c   | 0.17        | 0.25 |
| c1  | 0.17        | 0.23 |
| D   | 4.90 BSC    |      |
| E   | 6.00 BSC    |      |
| E1  | 3.90 BSC    |      |
| e   | 1.27 BSC    |      |
| L   | 0.40        | 1.27 |
| L1  | 1.04 REF    |      |
| F   | 2.24        | 3.20 |
| G   | 1.55        | 2.51 |
| h   | 0.25        | 0.50 |
| θ   | 0°          | 8°   |

SOLDERING FOOTPRINT\*

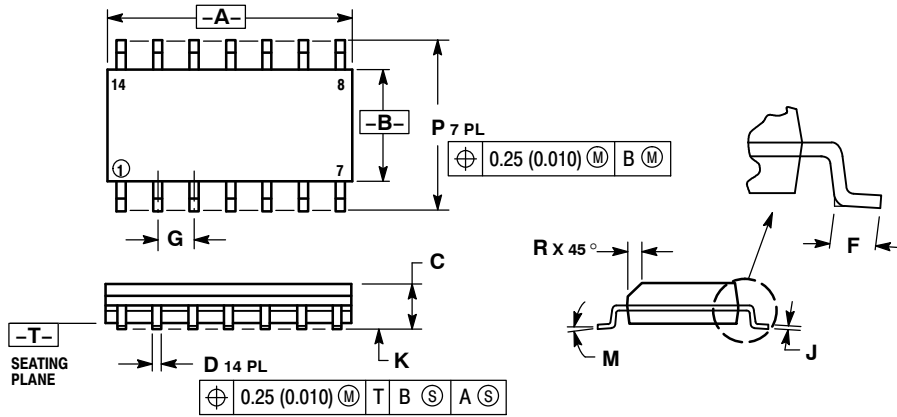


\*For additional information on our Pb-Free strategy and soldering details, please download the ON Semiconductor Soldering and Mounting Techniques Reference Manual, SOLDERRM/D.

# NCV4269

## PACKAGE DIMENSIONS

SO-14  
D SUFFIX  
CASE 751A-03  
ISSUE G



**NOTES:**

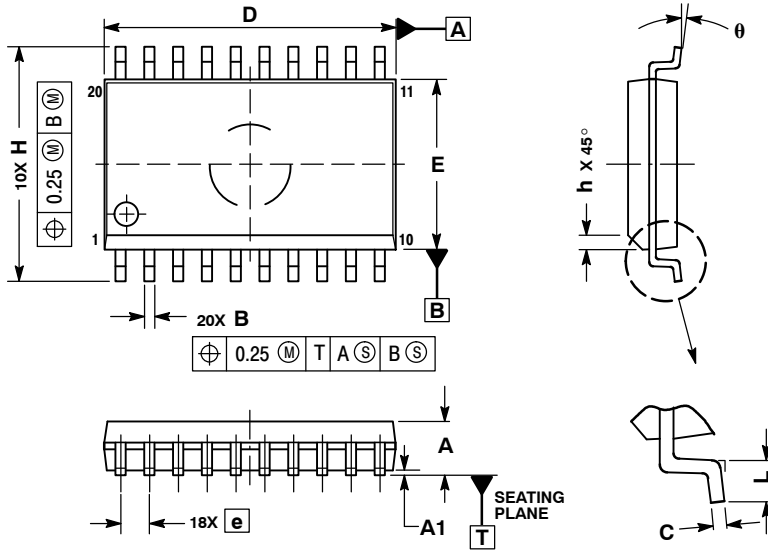
1. DIMENSIONING AND TOLERANCING PER ANSI Y14.5M, 1982.
2. CONTROLLING DIMENSION: MILLIMETER.
3. DIMENSIONS A AND B DO NOT INCLUDE MOLD PROTRUSION.
4. MAXIMUM MOLD PROTRUSION 0.15 (0.006) PER SIDE.
5. DIMENSION D DOES NOT INCLUDE DAMBAR PROTRUSION. ALLOWABLE DAMBAR PROTRUSION SHALL BE 0.127 (0.005) TOTAL IN EXCESS OF THE D DIMENSION AT MAXIMUM MATERIAL CONDITION.

| DIM | MILLIMETERS |      | INCHES    |       |
|-----|-------------|------|-----------|-------|
|     | MIN         | MAX  | MIN       | MAX   |
| A   | 8.55        | 8.75 | 0.337     | 0.344 |
| B   | 3.80        | 4.00 | 0.150     | 0.157 |
| C   | 1.35        | 1.75 | 0.054     | 0.068 |
| D   | 0.35        | 0.49 | 0.014     | 0.019 |
| F   | 0.40        | 1.25 | 0.016     | 0.049 |
| G   | 1.27 BSC    |      | 0.050 BSC |       |
| J   | 0.19        | 0.25 | 0.008     | 0.009 |
| K   | 0.10        | 0.25 | 0.004     | 0.009 |
| M   | 0°          | 7°   | 0°        | 7°    |
| P   | 5.80        | 6.20 | 0.228     | 0.244 |
| R   | 0.25        | 0.50 | 0.010     | 0.019 |

# NCV4269

## -PACKAGE DIMENSIONS

SO-20L  
DW SUFFIX  
CASE 751D-05  
ISSUE G



**NOTES:**

1. DIMENSIONS ARE IN MILLIMETERS.
2. INTERPRET DIMENSIONS AND TOLERANCES PER ASME Y14.5M, 1994.
3. DIMENSIONS D AND E DO NOT INCLUDE MOLD PROTRUSION.
4. MAXIMUM MOLD PROTRUSION 0.15 PER SIDE.
5. DIMENSION B DOES NOT INCLUDE DAMBAR PROTRUSION. ALLOWABLE PROTRUSION SHALL BE 0.13 TOTAL IN EXCESS OF B DIMENSION AT MAXIMUM MATERIAL CONDITION.

| MILLIMETERS |          |       |
|-------------|----------|-------|
| DIM         | MIN      | MAX   |
| A           | 2.35     | 2.65  |
| A1          | 0.10     | 0.25  |
| B           | 0.35     | 0.49  |
| C           | 0.23     | 0.32  |
| D           | 12.65    | 12.95 |
| E           | 7.40     | 7.60  |
| e           | 1.27 BSC |       |
| H           | 10.05    | 10.55 |
| h           | 0.25     | 0.75  |
| L           | 0.50     | 0.90  |
| θ           | 0°       | 7°    |

SMART REGULATOR is a registered trademark of Semiconductor Components Industries, LLC (SCILLC).

ON Semiconductor and are registered trademarks of Semiconductor Components Industries, LLC (SCILLC). SCILLC reserves the right to make changes without further notice to any products herein. SCILLC makes no warranty, representation or guarantee regarding the suitability of its products for any particular purpose, nor does SCILLC assume any liability arising out of the application or use of any product or circuit, and specifically disclaims any and all liability, including without limitation special, consequential or incidental damages. "Typical" parameters which may be provided in SCILLC data sheets and/or specifications can and do vary in different applications and actual performance may vary over time. All operating parameters, including "Typicals" must be validated for each customer application by customer's technical experts. SCILLC does not convey any license under its patent rights nor the rights of others. SCILLC products are not designed, intended, or authorized for use as components in systems intended for surgical implant into the body, or other applications intended to support or sustain life, or for any other application in which the failure of the SCILLC product could create a situation where personal injury or death may occur. Should Buyer purchase or use SCILLC products for any such unintended or unauthorized application, Buyer shall indemnify and hold SCILLC and its officers, employees, subsidiaries, affiliates, and distributors harmless against all claims, costs, damages, and expenses, and reasonable attorney fees arising out of, directly or indirectly, any claim of personal injury or death associated with such unintended or unauthorized use, even if such claim alleges that SCILLC was negligent regarding the design or manufacture of the part. SCILLC is an Equal Opportunity/Affirmative Action Employer. This literature is subject to all applicable copyright laws and is not for resale in any manner.

### PUBLICATION ORDERING INFORMATION

**LITERATURE FULFILLMENT:**  
Literature Distribution Center for ON Semiconductor  
P.O. Box 5163, Denver, Colorado 80217 USA  
**Phone:** 303-675-2175 or 800-344-3860 Toll Free USA/Canada  
**Fax:** 303-675-2176 or 800-344-3867 Toll Free USA/Canada  
**Email:** orderlit@onsemi.com



**N. American Technical Support:** 800-282-9855 Toll Free USA/Canada  
**Europe, Middle East and Africa Technical Support:**  
Phone: 421 33 790 2910  
**Japan Customer Focus Center**  
Phone: 81-3-5773-3850

**ON Semiconductor Website:** [www.onsemi.com](http://www.onsemi.com)  
**Order Literature:** <http://www.onsemi.com/orderlit>

For additional information, please contact your local Sales Representative

## Looking for pricing, stock, or lifecycle information?

Click below to explore more details on WIN SOURCE:

-  [View NCV4269D1 on WIN SOURCE](#)
-  [ON Semiconductor](#) Information

## Optimize Your Supply Chain with WIN SOURCE Solutions

-  Global Sourcing Solution
-  Obsolete Management
-  Cost Control Management
-  Shortage Management
-  Alternative Solution
-  Excess Inventory Management