



**THE DATASHEET OF
CM6032V301R-10**



CM6032V301R-10

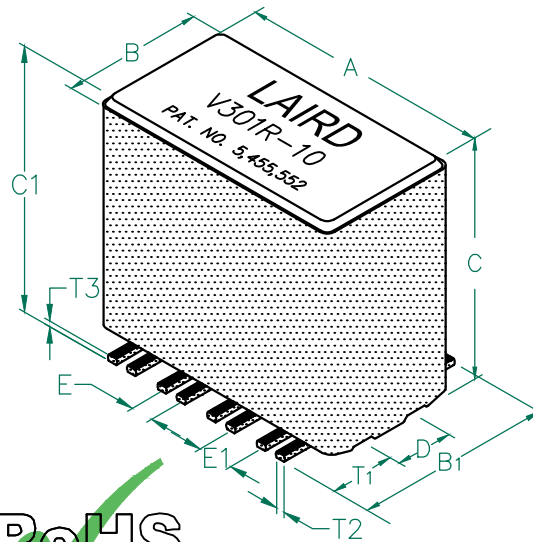
UNCONTROLLED DOCUMENT

PHYSICAL DIMENSIONS:

A	15.24 [.600]	+ 0.23 [.009]
B	8.13 [.320]	+ 0.13 [.005]
B ₁	10.92 [.430]	MAX
C	14.48 [.570]	+ 0.25 [.010]
C ₁	15.11 [.595]	MAX
D	4.06 [.160]	+ 0.05 [.002]
E	1.27 [.050]	+ 0.13 [.005]
E ₁	2.03 [.080]	+ 0.13 [.005]

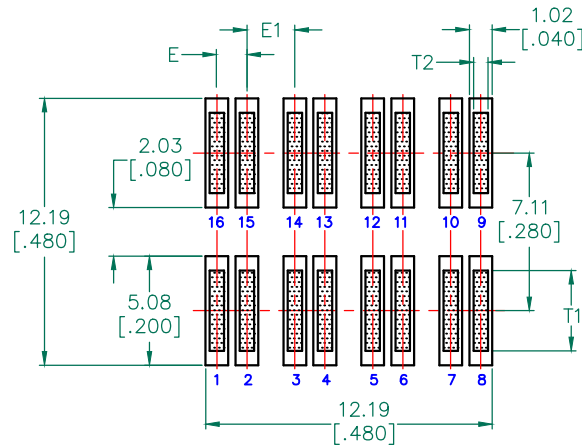
WIRE DIMENSIONS:

T ₁	3.30 [.130]	+ 0.38 [.015]
T ₂	0.64 [.025]	TYP
T ₃	0.38 [.015]	TYP



RoHS

LAND PATTERNS FOR REFLOW SOLDERING

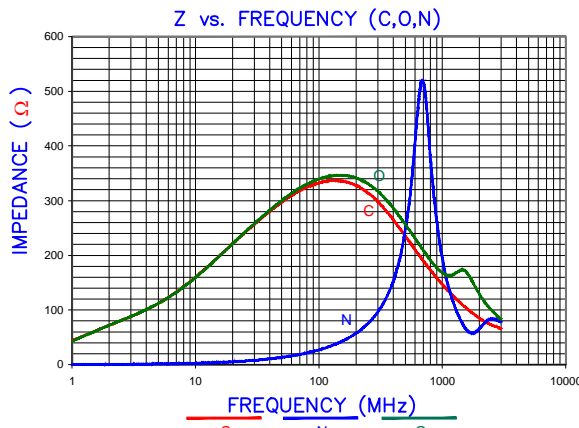
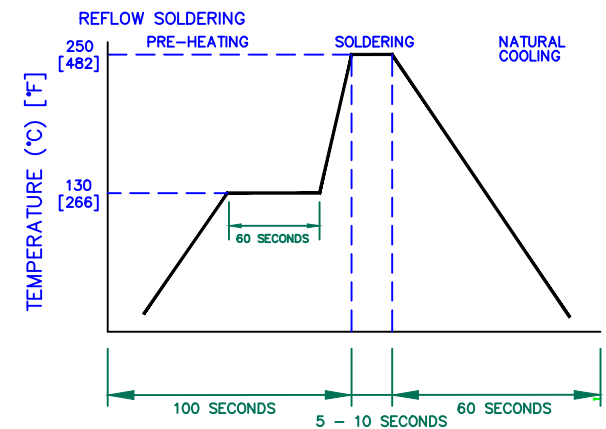


ELECTRICAL CHARACTERISTICS:		
Z @ 100MHz (Ω)	DCR (Ω)	Rated Current
Nominal	300	
Minimum	225	
Maximum	375	0.01
		8,000 mA

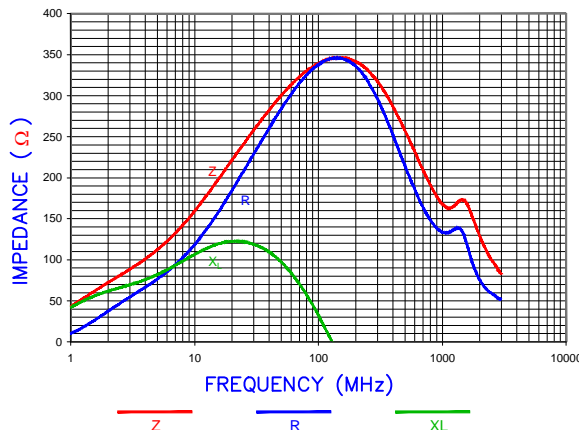
NOTES: UNLESS OTHERWISE SPECIFIED

1. TAPED AND REELED per CURRENT EIA SPECIFICATIONS 13" REELS, 100 PCS/REEL.
2. COMPONENTS SHOULD BE ADEQUATELY PREHEATED BEFORE SOLDERING.
3. REF. CARRIER TAPE SPECIFICATION # CART6032-33.
4. TERMINATION FINISH IS 100% TIN.
5. THIS PART HAS NO PIN POLARITY.
6. OPERATION TEMPERATURE (INCLUDING SELF-HEATING): -40 ~ +125°C.

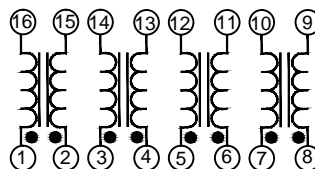
RECOMMENDED SOLDERING CONDITIONS



Z, R, XL vs. FREQUENCY



EQUIVALENT CIRCUIT



DIMENSIONS ARE IN mm [INCHES]			
E	UPDATE COMPANY LOGO & NOTE 6	08/30/12	JRK
D	UPDATE COMPANY LOGO & KAPTON LABEL ADD EQUIV. CIRCUIT	11/12/08	JRK
C	UPDATE COMPANY LOGO	01/09/07	JRK
B	CORRECT REV BLOCK mm [INCHES]	10/20/06	JRK
A	ORIGINAL DRAFT	06/11/04	JRK
REV	DESCRIPTION	DATE	JRK

This print is the property of Laird Tech. and is loaned in confidence subject to return upon request and with the understanding that no copies shall be made without the written consent of Laird Tech. All rights to design or invention are reserved.

PROJECT/PART NUMBER:
CM6032V301R-10

DATE: 06/11/04 SCALE: NTS

CAD # CM6032V301R-10-E-1 TOOL # H0600-200

REV **E** DRAWN BY: JRK

SHEET: **1 of 2**

Looking for pricing, stock, or lifecycle information?

Click below to explore more details on WIN SOURCE:

- ⊖ [View CM6032V301R-10 on WIN SOURCE](#)
- ⊖ [Laird-Signal Integrity Products Information](#)

Optimize Your Supply Chain with WIN SOURCE Solutions

- ✓ Global Sourcing Solution
- ✓ Obsolete Management
- ✓ Cost Control Management
- ✓ Shortage Management
- ✓ Alternative Solution
- ✓ Excess Inventory Management