



**THE DATASHEET OF  
NCN2500MNR2**



# NCN2500

## USB Single Channel Transceiver

The NCN2500 Integrated Circuit is a single channel transceiver designed to accommodate the physical USB Port with a microcontroller digital I/O. The part is fully USB compliant and supports the full 12 Mbps speed. On the other hand, the NCN2500 device includes the pullup resistors as defined by the USB-ECN new specifications.

### Features

- Compliant to the USB Specification, Version 2.0, Low and Full Speed
- Very Small Footprint Due to the QFN-16 Package
- Integrated D+/D- Pullup Resistors
- Operates Over the Full 1.5 V to 3.6 V Supply
- Pb-Free Package is Available\*

### Typical Applications

- Portable Computer
- Cellular Phone

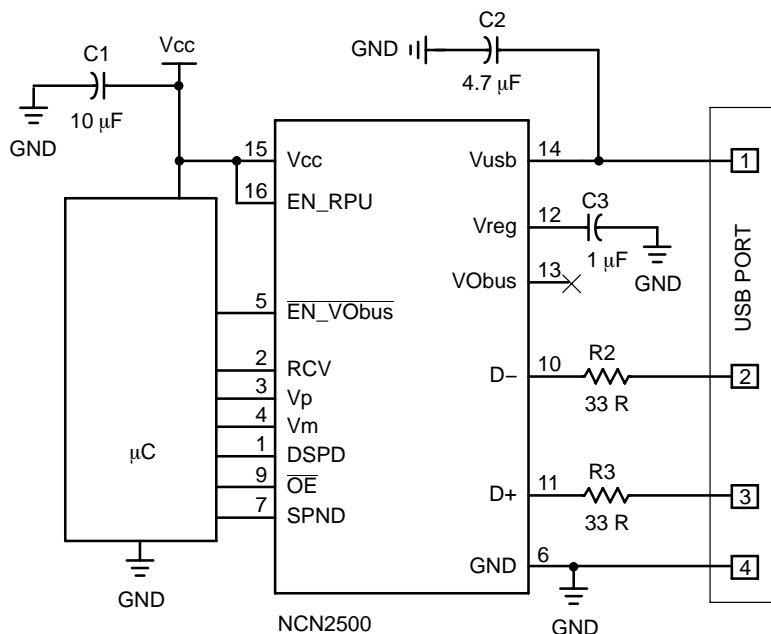


Figure 1. Typical Application

\*For additional information on our Pb-Free strategy and soldering details, please download the ON Semiconductor Soldering and Mounting Techniques Reference Manual, SOLDERRM/D.



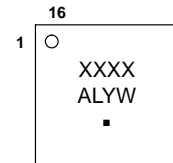
ON Semiconductor®

<http://onsemi.com>

### MARKING DIAGRAM

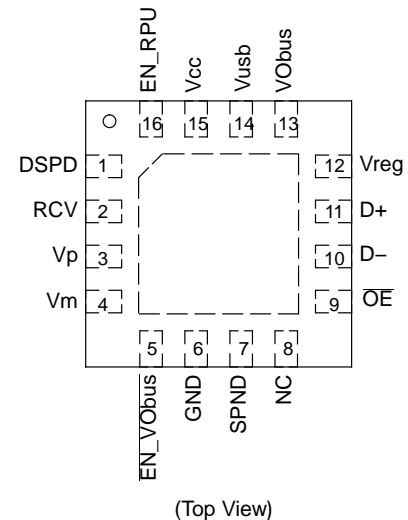


QFN-16  
MNR SUFFIX  
CASE 485G



- A = Assembly Location
- L = Wafer Lot
- Y = Year
- W = Work Week
- = Pb-Free Package

### PIN CONNECTIONS



### ORDERING INFORMATION

Device	Package	Shipping†
NCN2500MNR2	QFN-16	3000 Tape & Reel
NCN2500MNR2G	QFN-16 (Pb-Free)	3000 Tape & Reel

†For information on tape and reel specifications, including part orientation and tape sizes, please refer to our Tape and Reel Packaging Specifications Brochure, BRD8011/D.

# NCN2500

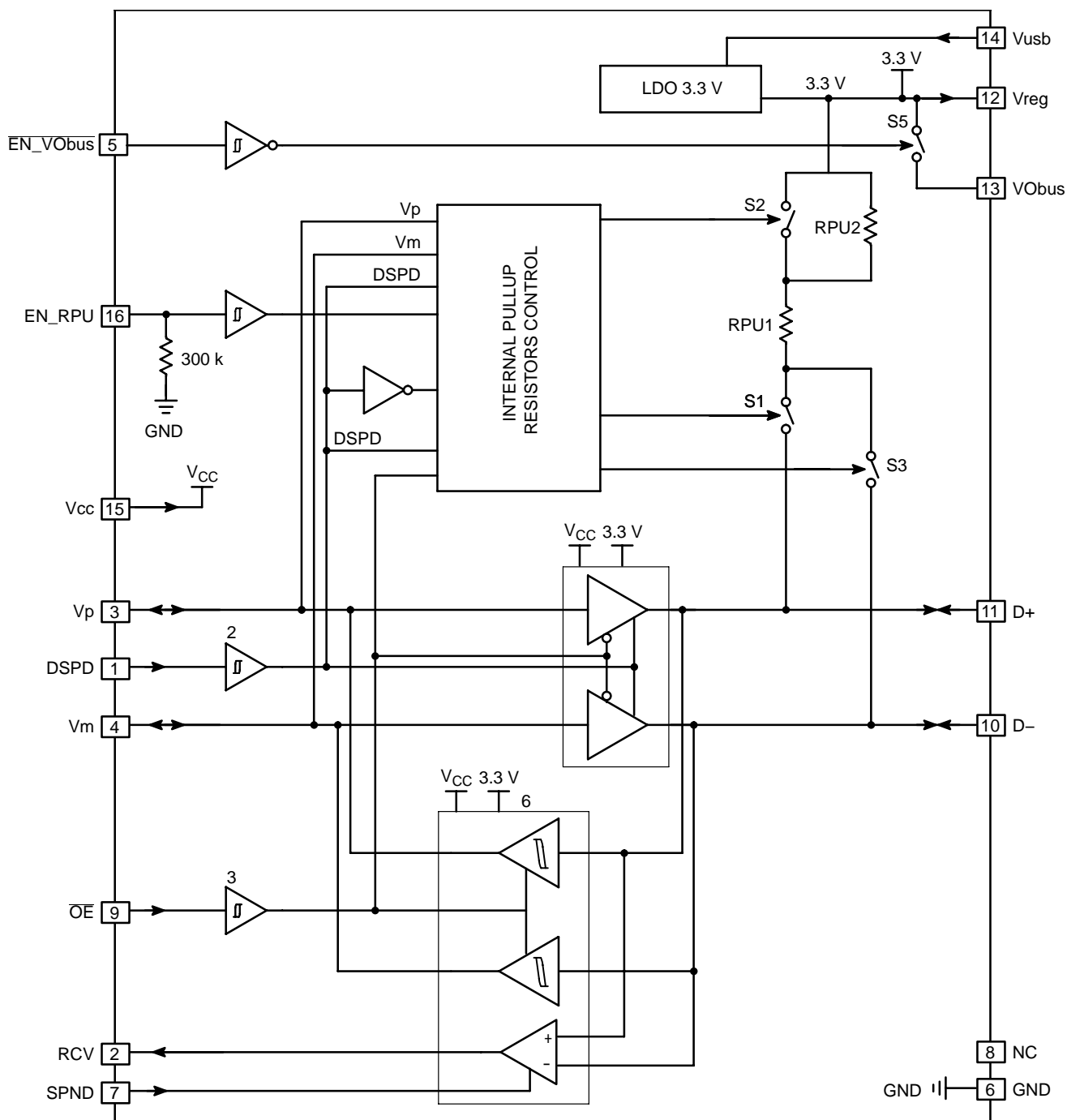


Figure 2. Block Diagram

# NCN2500

## PIN FUNCTION DESCRIPTION

Pin	Symbol	Function	Description
1	DSPD	INPUT	The DSPD logic level (Data Speed) activates the Low or the High speed operation on the USB port. DSPD = Low    Low Speed, RPU1 and RPU2 connected to D- DSPD = High    Full Speed, RPU1 and RPU2 connected to D+
2	RCV	OUTPUT	This pin interfaces the USB signals with the microcontroller digital line. The data present on the D+/D- pins are translated onto this signal.
3	Vp	I/O	This pin, associated with Vm, is an I/O system interface signal depending upon the OE logic state: OE = Low    Vp is a Plus driver Input (from μC to USB bus) OE = High    Vp is a Plus receiver Output (from USB bus to μC)
4	Vm	I/O	This pin, associated with Vp, is an I/O system interface signal depending upon the OE logic state: OE = Low    Vm is a Minus driver Input (from μC to USB bus) OE = High    Vm is a Minus receiver Output (from USB bus to μC)
5	EN_VObus	INPUT	Digital input to control the VObus voltage. EN_VObus = Low    VObus connected to Vreg EN_VObus = High    VObus disconnected from Vreg (Hi Z)
6	GND	PWR	This pin carries the digital and USB ground level. High Quality PCB design shall be observed to avoid uncontrolled voltage spikes.
7	SPND	INPUT	The SPND digital signal (SUSPEND) selects the operation mode to reduce the power supply current. SPND = Low    Normal operation SPND = High    Suspend mode, no activity takes place
8	NC	-	No Connection, shall be neither grounded, nor connected to Vcc or Vbus.
9	OE	INPUT	This pin activates the operating mode of the D-/D+ signals. OE = Low logic level    Data are transmitted onto the USB bus OE = High logic level    Data are received from the USB bus
10	D-	I/O	This pin is connected to the USB Minus Data line I/O. The data direction depends upon the OE logic state.
11	D+	I/O	This pin is connected to the USB Plus Data line I/O. The data direction depends upon the OE logic state.
12	Vreg	PWR	This pin provides a 3.3 V regulated voltage to supply the internal USB blocks and the external termination bias resistor. An external circuit can be connected to this LDO, assuming the current does not extend the maximum rating (50 mA).
13	VObus	OUTPUT, PWR	This pin connects the Vreg voltage to the 1.5 k external pullup resistor. The VObus voltage is controlled by the logic states present Pin 5. The R <sub>DSon</sub> of the internal PMOS device (reference S5 in the Block Diagram) is 10 Ω typical.
14	Vusb	PWR	This pin is connected to the USB port +Vcc supply voltage.
15	Vcc	PWR	This pin provides the interface power supply. The power source can be an external supply or can be derived from the USB + Vusb voltage.
16	EN_RPU	INPUT	This pin activates or deactivate the internal RPU1 and RPU2 pullup resistors: EN_RPU = H    RPU1 and RPU2 activated EN_RPU = L    RPU1 and RPU2 deactivated

# NCN2500

## MAXIMUM RATINGS

Rating	Symbol	Value	Unit
Power Supply Voltage	V <sub>CC</sub>	6.0	V
Digital Input Pins	V <sub>IND</sub>	-0.5 V < V <sub>IN</sub> < V <sub>CC</sub> + 0.5 V, but < 6.0 V	V
Digital Input Pins	V <sub>ID</sub>	-0.5 V < V <sub>IN</sub> < AGND + 0.5 V, but < 6.0 V	V
Digital Input Pins	I <sub>BIAS</sub>	-35 mA < I <sub>BIAS</sub> < 35 mA	mA
ESD Capability, HBM (Note 1)	V <sub>ESD</sub>		
V <sub>usb</sub> , D+, D-, GND		10	kV
Any Other Pins		2.0	kV
Machine Model, Any Pins		200	V
QFN-16 Package			
Power Dissipation @ Tamb = +85°C	P <sub>DS</sub>	470	mW
Thermal Resistance, Junction-to-Air (R <sub>θJA</sub> )	R <sub>θJA</sub>	85	°C/W
Operating Ambient Temperature Range	T <sub>A</sub>	-40 to +85	°C
Operating Junction Temperature Range	T <sub>J</sub>	-40 to +125	°C
Maximum Junction Temperature (Note 2)	T <sub>Jmax</sub>	+150	°C
Storage Temperature Range	T <sub>sg</sub>	-65 to +150	°C

Maximum ratings are those values beyond which device damage can occur. Maximum ratings applied to the device are individual stress limit values (not normal operating conditions) and are not valid simultaneously. If these limits are exceeded, device functional operation is not implied, damage may occur and reliability may be affected.

- Human Body Model, R = 1500 Ω, C = 100 pF; Machine Model.
- Absolute Maximum Rating beyond which damage(s) to the device may occur.

# NCN2500

## ELECTRICAL CHARACTERISTICS

Characteristic	Symbol	Pin	Min	Typ	Max	Unit
----------------	--------	-----	-----	-----	-----	------

### DIGITAL PARAMETERS SECTION @ 1.5 V < Vcc < 3.6 V (-40°C to +85°C ambient temperature, unless otherwise noted.)

NOTE: Digital inputs undershoot < -0.3 V to ground, digital inputs overshoot < 0.3 V to Vcc.

High Level Input Voltage DSPD, Vp, Vm, EN_VOBus, SPND, OE, EN_RPU	V <sub>IH</sub>	1, 3, 4, 5, 7, 9, 16	0.80*Vcc	-	-	V
Low Level Input Voltage DSPD, Vp, Vm, EN_VOBus, SPND, OE, EN_RPU	V <sub>IL</sub>	1, 3, 4, 5, 7, 9, 16	-	-	0.20*Vcc	V
High Level Output Voltage RCV, Vp, Vm @ I <sub>OH</sub> = 1.0 mA	V <sub>OH</sub>	2, 3, 4	0.80*Vcc	-	-	V
Low Level Output Voltage RCV, Vp, Vm @ I <sub>OL</sub> = 1.0 mA	V <sub>OL</sub>	2, 3, 4	-	-	0.20*Vcc	V
Input Leakage Current DSPD, Vp, Vm, EN_VOBus, SPND, OE, EN_RPU	I <sub>IL</sub>	1, 3, 4, 5, 7, 9, 16	-	-	±5.0	µA
Input EN_RPU Pulldown Resistor @VCC = 3.3 V	RPU	-	-	300	-	kΩ

### TRANSCEIVER SECTION @ 1.5 V < Vcc < 3.6 V (-40°C to +85°C ambient temperature, unless otherwise noted.)

Static Output High, D-, D+ @ OE = Low, R <sub>L</sub> = 15 kΩ to GND	V <sub>OH</sub>	10, 11	2.8	-	3.6	V
Static Output Low, D-, D+ @ OE = Low, R <sub>L</sub> = 1.5 kΩ to Vreg	V <sub>OL</sub>	10, 11	-	-	0.3	V
Single Input Receiver Threshold	V <sub>SE</sub>	10, 11	0.8	-	2.0	V
Single Ended Receiver Hysteresis (Note 3)	-	-	-	200	-	mV
Differential Input Sensitivity   D+ - D-   @ 0.8 V < V <sub>CM</sub> < 2.5 V (Note 3)	V <sub>DI</sub>	10, 11	0.2	-	-	V
Differential Common Mode Including the V <sub>DI</sub>	V <sub>CM</sub>	10, 11	0.8	-	2.5	V
Differential Receiver Hysteresis (Note 3)	-	10, 11	-	70	-	mV
D+ and D- Transceiver Hi-Z State Leakage Current @ OE = 1, 0 V < Vusb < 3.3 V	I <sub>LO</sub>	10, 11	-	-	±10	µA
Transceiver Input Capacitance (Note 3)	C <sub>in</sub>	10, 11	-	-	20	pF
Transceiver Output Resistance (Note 3)	Z <sub>DRV</sub>	10, 11	28	-	44	Ω
Transceiver Input Impedance (Note 3)	Z <sub>IN</sub>	10, 11	10	-	-	MΩ
Internal RPU1 Pull Resistor	R <sub>RPU-1</sub>	10, 12	900	-	1575	Ω
Internal RPU2 Pull Up Resistor	R <sub>RPU-2</sub>	10, 12	525	-	1515	Ω

### LOW SPEED DRIVER OPERATION (Note 3)

Transition Rise Time @ C <sub>L</sub> = 50 pF @ C <sub>L</sub> = 600 pF	t <sub>r</sub>	10, 11	75 75	- -	300 300	ns
Transition Fall Time @ C <sub>L</sub> = 50 pF @ C <sub>L</sub> = 600 pF	t <sub>f</sub>	10, 11	75 75	- -	300 300	ns
Rise and Fall Time Matching	t <sub>r</sub> , t <sub>f</sub>	10, 11	80	-	125	%
Output Signal Crossover Voltage	V <sub>CRS</sub>	10, 11	1.3	-	2.0	V
Data Transaction Rate	Drate	10, 11	-	-	1.5	Mbs

3. Parameter guaranteed by design, not production tested.

# NCN2500

## ELECTRICAL CHARACTERISTICS (continued)

Characteristic	Symbol	Pin	Min	Typ	Max	Unit
<b>FULL SPEED DRIVER OPERATION (Note 4)</b>						
Transition Rise Time @ $C_L = 50$ pF	tr	10, 11	4.0	–	20	ns
Transition Fall Time @ $C_L = 50$ pF	tf	10, 11	4.0	–	20	ns
Rise and Fall Time Matching	tr, tf	10, 11	90	–	110	%
Output Signal Crossover Voltage	$V_{CRS}$	10, 11	1.3	–	2.0	V
Data Transaction Rate	Drate	10, 11	–	–	12	Mbs

## TRANSCEIVER TIMING (Note 4)

$\overline{OE}$ to RCVR Hi-Z Delay (see Figure 3)	$t_{PVZ}$	9	–	–	15	ns
Receiver Hi-Z to Transmit Delay (see Figure 3)	$t_{PZD}$	–	15	–	–	ns
$\overline{OE}$ to DRVR Hi-Z Delay (see Figure 3)	$t_{PDZ}$	–	–	–	15	ns
Driver Hi-Z to Receiver Delay (see Figure 3)	$t_{PZV}$	–	15	–	–	ns
Vp/Vm to D+/D– Propagation Delay (see Figure 6)	$t_{PLH}$	3, 4, 10, 11	–	–	15	ns
Vp/Vm to D+/D– Propagation Delay (see Figure 6)	$t_{PHL}$	3, 4, 10, 11	–	–	15	ns
D+/D– to RCV Propagation Delay @ $1.5 < V_{CC} < 5.5$ V (see Figure 5) $C_L = 25$ pF tr = tf = 3.0 ns	$t_{PLH}$	11, 10, 2	–	–	15	ns
D+/D– to RCV Propagation Delay @ $1.5 < V_{CC} < 5.5$ V (see Figure 5) $C_L = 25$ pF tr = tf = 3.0 ns	$t_{PHL}$	11, 10, 2	–	–	15	ns
D+/D– to Vp/D– Propagation Delay @ $1.5 < V_{CC} < 5.5$ V (see Figure 5) $C_L = 25$ pF tr = tf = 3.0 ns	$t_{PLH}$	11, 10, 3	–	–	8.0	ns
D+/D– to Vm/D– Propagation Delay @ $1.5 < V_{CC} < 5.5$ V (see Figure 5) $C_L = 25$ pF tr = tf = 3.0 ns	$t_{PHL}$	11, 10, 4	–	–	8.0	ns

## POWER SUPPLY SECTION @ $1.5$ V < $V_{CC}$ < $3.6$ V (–40°C to +85°C ambient temperature, unless otherwise noted.)

Digital Supply Voltage	$V_{CC}$	15	1.5	–	3.6	V
USB Port Input Supply Voltage	$V_{USB}$	14	4.0	–	5.25	V
Output Regulated Voltage @ $4.0$ V < $V_{USB} < 5.25$ V, $C_{in} = 4.7$ $\mu$ F, $C_{out} = 1.0$ $\mu$ F, $I_{reg} = 100$ mA	$V_{REG}$	12	3.0	3.3	3.6	V
Output Switched Voltage @ $I_o = 1.0$ mA, $C_{in} = 4.7$ $\mu$ F	$V_{OBUS}$	13	3.0	3.3	3.6	V
Line Regulation Output Voltage	$V_{REG}$	12	–	0.1	–	%
Standby Current @ $V_{USB} = 5.25$ V, $\overline{OE} = H$ , SPND = H, D+ and D– are Idle, $V_{CC} = 3.6$ V	$I_{VCC}$	14	–	1.0	–	$\mu$ A
Standby Current @ $V_{USB} = 5.25$ V, $\overline{OE} = H$ , SPND = L, D+ and D– are Idle, $V_{CC} = 3.6$ V	$I_{VCC}$	14	–	1.0	–	$\mu$ A
Operating Current $\overline{OE} = L$ , D– and D+ Active, SPND = L (Note 4), Transmitter Mode @ F = 6.0 MHz, $C_L = 50$ pF @ F = 750 kHz, $C_L = 600$ pF	$I_{VCC}$	14	–	300 40	– –	$\mu$ A
Operating Current $\overline{OE} = H$ , D– and D+ Active, SPND = L (Note 4), Receiver Mode @ F = 6.0 MHz, $C_L = 25$ pF @ F = 750 kHz, $C_L = 25$ pF	$I_{VCC}$	14	–	1.5 250	– –	mA $\mu$ A

4. Parameter guaranteed by design, not production tested.

# NCN2500

## ELECTRICAL CHARACTERISTICS (continued)

Characteristic	Symbol	Pin	Min	Typ	Max	Unit	
<b>POWER SUPPLY SECTION @ 1.5 V &lt; Vcc &lt; 3.6 V (continued)</b> (–40°C to +85°C ambient temperature, unless otherwise noted.)							
USB Supply Current @ D– and D+ are Idle, Vusb = 5.25 V and:	I <sub>BUS</sub>	14					
@ SPND = 1, $\overline{OE}$ = 1, DSPD = 0, EN_RPU = 0			–	120	200	μA	
@ SPND = 0, $\overline{OE}$ = 1, DSPD = 1, EN_RPU = 0			–	1.7	–	mA	
@ SPND = 0, $\overline{OE}$ = 0, DSPD = 0, EN_RPU = 0			–	1.7	–	mA	
@ SPND = 1, $\overline{OE}$ = 1, DSPD = 0, EN_RPU = 1			–	320	500	μA	
@ D– and D+ are Active, C <sub>L</sub> = 50 pF, Vusb = 5.25 V, SPND = 0, $\overline{OE}$ = 0, DSPD = 1, F = 6.0 MHz (Note 5)							
@ EN_RPU = Low			–	8.3	–	mA	
@ EN_RPU = High			–	9.4	–	mA	
@ D– and D+ are Active (Note 5) Vusb = 5.25 V, SPND = 0, $\overline{OE}$ = 0, DSPD = 1, F = 750 kHz, C <sub>L</sub> = 600 pF			–	5.4	–	mA	
F = 750 kHz, C <sub>L</sub> = 300 pF			–	3.9	–	mA	

5. Parameter guaranteed by design, not production tested.

# NCN2500

**Table 1. Internal RPU1 and RPU2 Pullup Resistors Control**

EN_RPU	DSPD	S1	S2	S3	Data Line	USB	Note
0	X	X	X	X	X	X	Internal RPU Deactivated, S1 and S3 are Forced OPEN
1	1	Open	X	Open	Vbus Off	X	Internal RPU disabled
1	1	Close	Close	Open	Idle	Full Speed	Internal RPU Activated
1	1	Closed	Open	Open	Receiving	Full Speed	Internal RPU Activated
1	0	Open	X	Open	Vbus Off	X	Internal RPU disabled
1	0	Open	Close	Close	Idle	Low Speed	Internal RPU Activated
1	0	Open	Open	Close	Receiving	Low Speed	Internal RPU Activated

6. See Figure 8 and Figure 9.

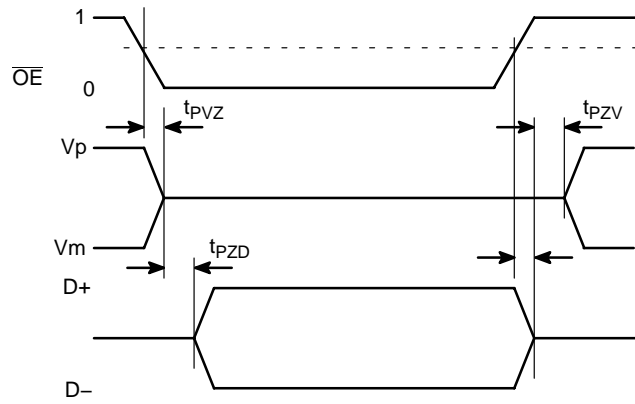
**Table 2. Transmit Mode Interface Control ( $\overline{OE} = 0 \rightarrow$  Transmit Mode)**

SPND	Vp	Vm	D+	D-	RCV	STATE
0	0	0	0	0	X	SE0
0	0	1	0	1	0	Low
0	1	0	1	0	1	High
0	1	1	1	1	X	Undefined
1	0	0	0	0	0	Suspend
1	0	1	0	1	0	Suspend
1	1	0	1	0	0	Suspend
1	1	1	1	1	0	Suspend

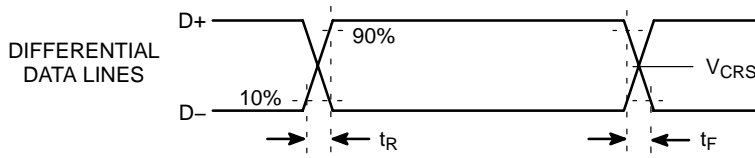
**Table 3. Receive Mode Interface Control ( $\overline{OE} = 1 \rightarrow$  Receive Mode)**

SPND	D+	D-	Vp	Vm	RCV	STATE
0	0	0	0	0	X	SE0
0	0	1	0	1	0	Low
0	1	0	1	0	1	High
0	1	1	1	1	X	Undefined
1	0	0	0	0	0	Suspend
1	0	1	0	1	0	Suspend
1	1	0	1	0	0	Suspend
1	1	1	1	1	0	Suspend

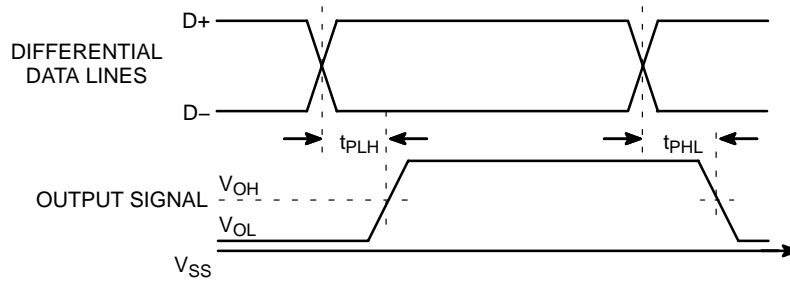
# NCN2500



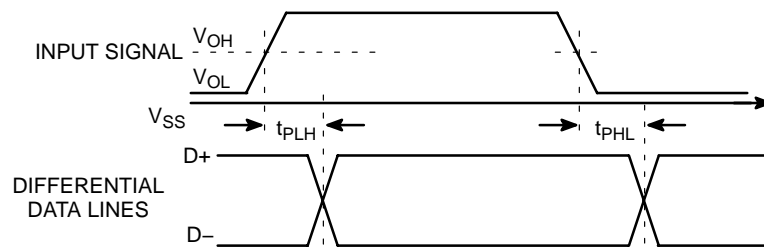
**Figure 3. Enable and Disable USB Times**



**Figure 4. USB Line Rise and Fall Times**



**Figure 5. Receiver Propagation Delays**



**Figure 6. Driver Propagation Delays**

# NCN2500

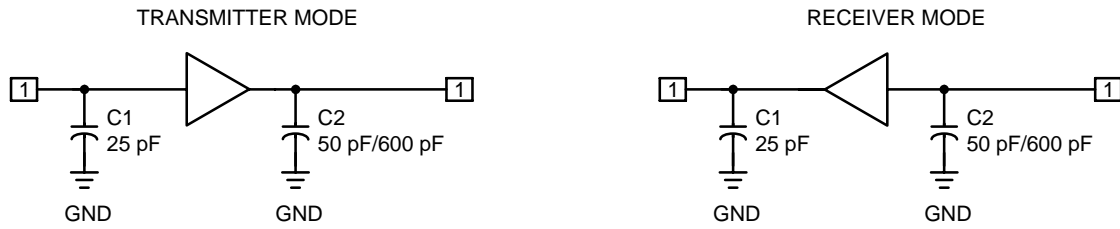


Figure 7. Input/Output Stray Capacitance Definitions

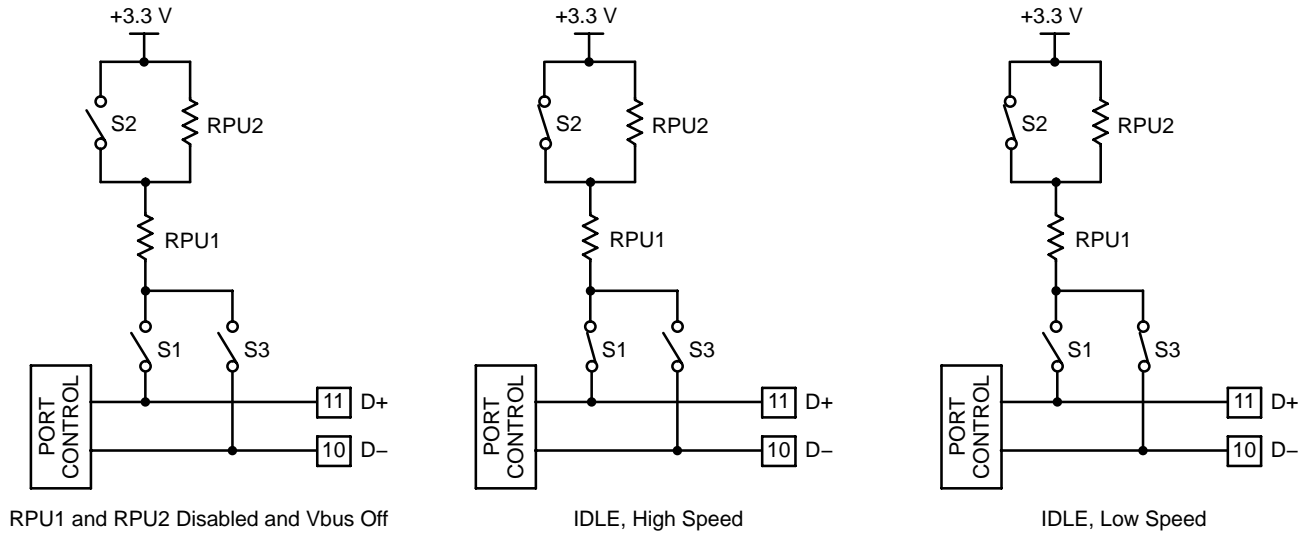
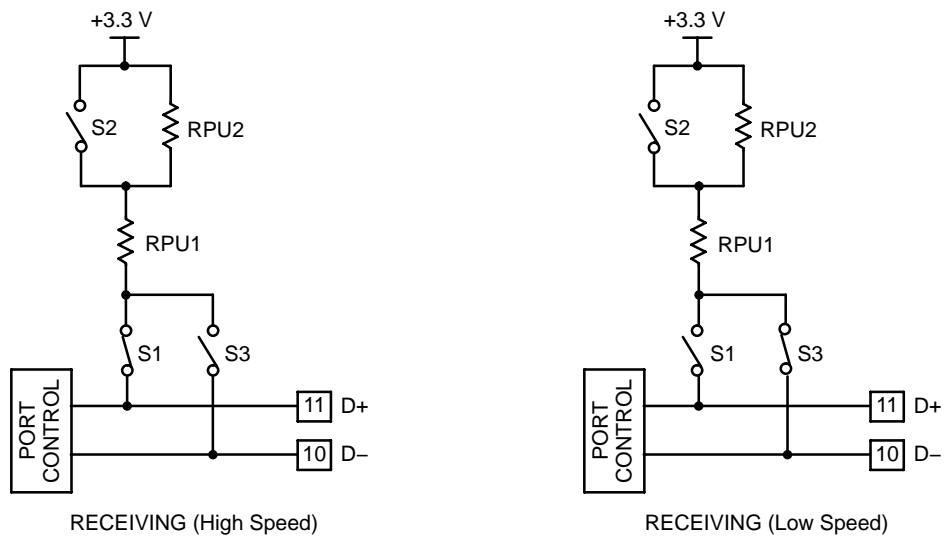


Figure 8. Internal RPU1 and RPU2 Pullup Resistors Operation, IDLE Mode

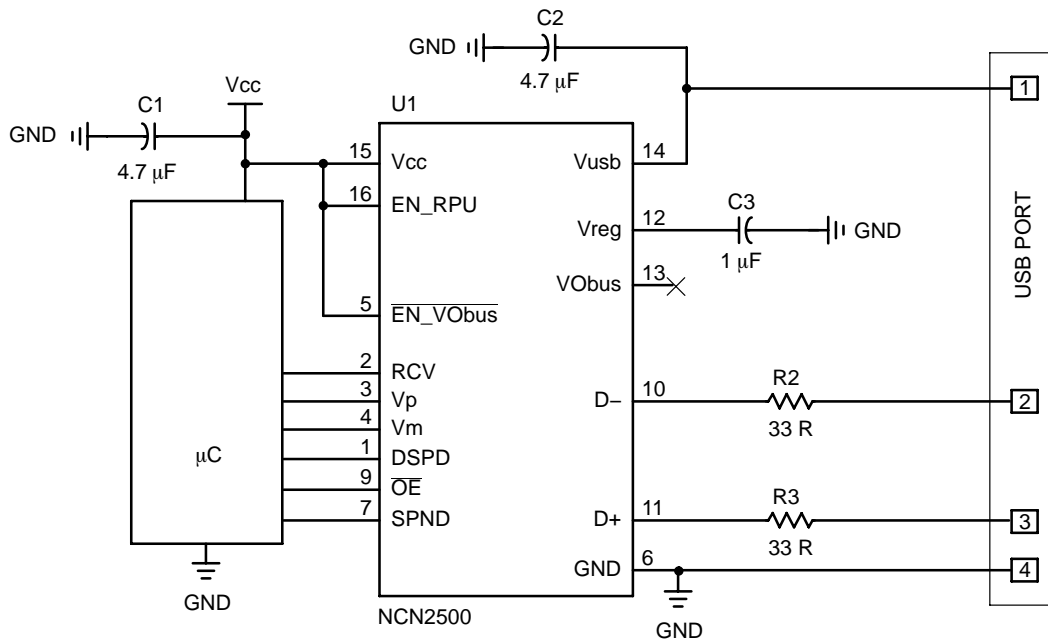


NOTE: Internal Pullup Resistor Range: RPU1: 900  $\Omega$  min–1575  $\Omega$  max, RPU2: 525  $\Omega$  min–1515  $\Omega$  max

Figure 9. Internal RPU1 and RPU2 Pullup Resistors Activated, RECEIVING Mode

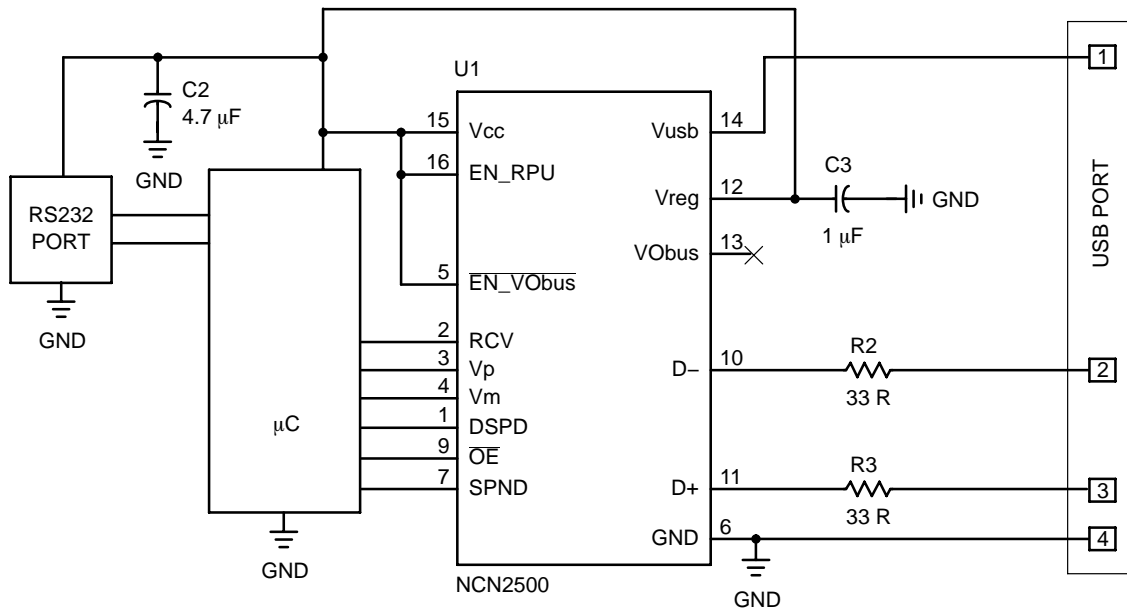
# NCN2500

## TYPICAL APPLICATIONS



In this application, the two internal pullup resistors (RPU1 and RPU2) are used to bias the USB line. Consequently, the VOBus voltage is deactivated (Pin 5 connected to Vcc).

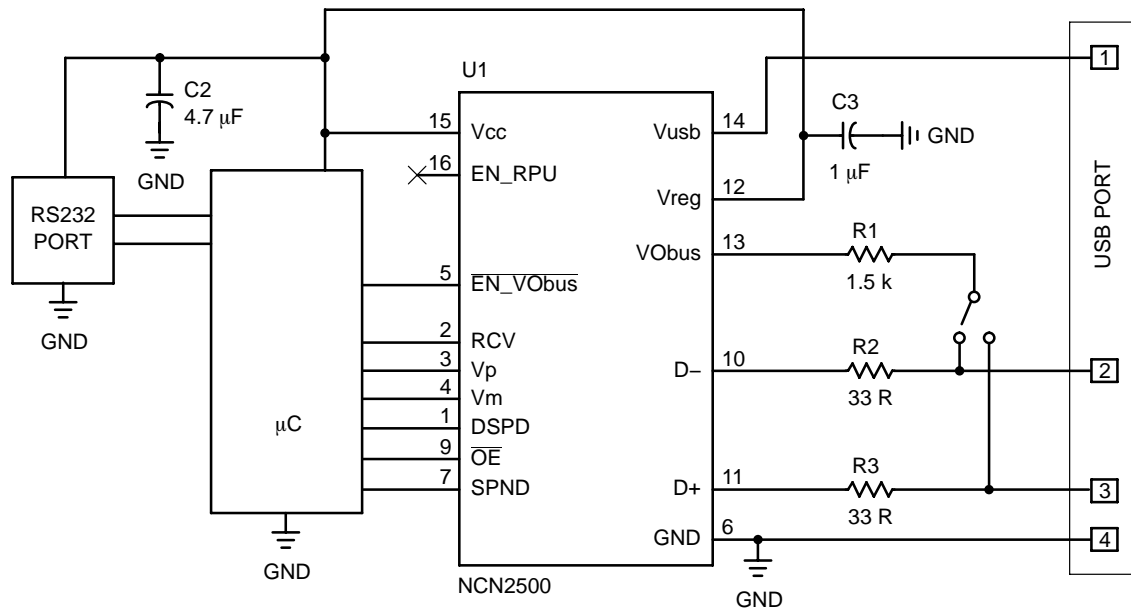
**Figure 10. Fully Independent Power Supplies**



**Figure 11. Peripheral are Powered by the Vreg Supply**

# NCN2500

## TYPICAL APPLICATIONS



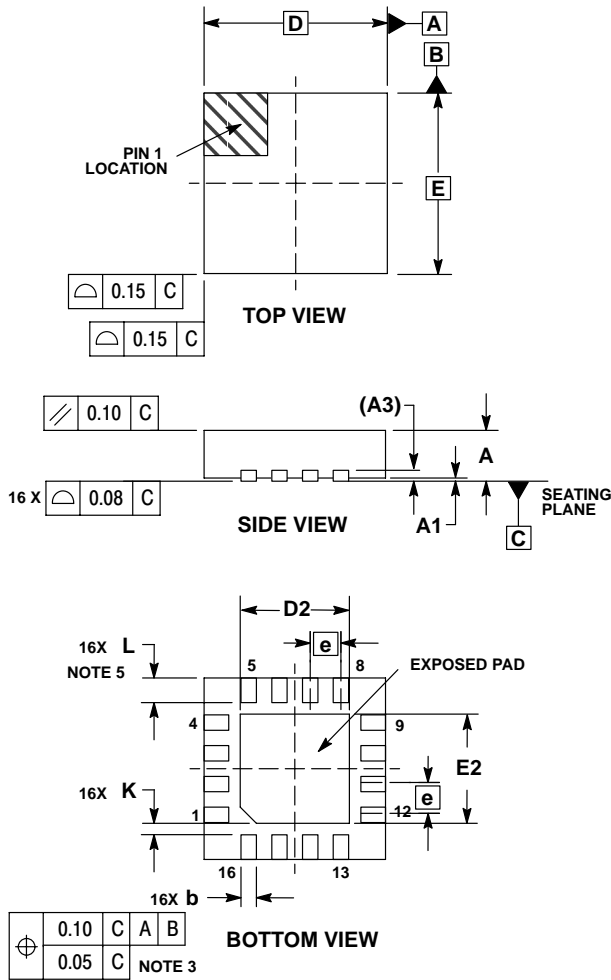
Note: Pin 16 can be left open, due to the internal pull-down resistor, or connected to ground.

**Figure 12. Using External Pullup Resistors**

# NCN2500

## PACKAGE DIMENSIONS


QFN-16  
MNR SUFFIX  
CASE 485G-01  
ISSUE B



### NOTES:

1. DIMENSIONING AND TOLERANCING PER ASME Y14.5M, 1994.
2. CONTROLLING DIMENSION: MILLIMETERS.
3. DIMENSION b APPLIES TO PLATED TERMINAL AND IS MEASURED BETWEEN 0.25 AND 0.30 MM FROM TERMINAL.
4. COPLANARITY APPLIES TO THE EXPOSED PAD AS WELL AS THE TERMINALS.
5.  $L_{max}$  CONDITION CAN NOT VIOLATE 0.2 MM MINIMUM SPACING BETWEEN LEAD TIP AND FLAG

DIM	MILLIMETERS	
	MIN	MAX
A	0.80	1.00
A1	0.00	0.05
A3	0.20	REF
b	0.18	0.30
D	3.00	BSC
D2	1.65	1.85
E	3.00	BSC
E2	1.65	1.85
e	0.50	BSC
K	0.20	---
L	0.30	0.50

**ON Semiconductor** and  are registered trademarks of Semiconductor Components Industries, LLC (SCILLC). SCILLC reserves the right to make changes without further notice to any products herein. SCILLC makes no warranty, representation or guarantee regarding the suitability of its products for any particular purpose, nor does SCILLC assume any liability arising out of the application or use of any product or circuit, and specifically disclaims any and all liability, including without limitation special, consequential or incidental damages. "Typical" parameters which may be provided in SCILLC data sheets and/or specifications can and do vary in different applications and actual performance may vary over time. All operating parameters, including "Typicals" must be validated for each customer application by customer's technical experts. SCILLC does not convey any license under its patent rights nor the rights of others. SCILLC products are not designed, intended, or authorized for use as components in systems intended for surgical implant into the body, or other applications intended to support or sustain life, or for any other application in which the failure of the SCILLC product could create a situation where personal injury or death may occur. Should Buyer purchase or use SCILLC products for any such unintended or unauthorized application, Buyer shall indemnify and hold SCILLC and its officers, employees, subsidiaries, affiliates, and distributors harmless against all claims, costs, damages, and expenses, and reasonable attorney fees arising out of, directly or indirectly, any claim of personal injury or death associated with such unintended or unauthorized use, even if such claim alleges that SCILLC was negligent regarding the design or manufacture of the part. SCILLC is an Equal Opportunity/Affirmative Action Employer. This literature is subject to all applicable copyright laws and is not for resale in any manner.

## PUBLICATION ORDERING INFORMATION

### LITERATURE FULFILLMENT:

Literature Distribution Center for ON Semiconductor  
P.O. Box 61312, Phoenix, Arizona 85082-1312 USA  
**Phone:** 480-829-7710 or 800-344-3860 Toll Free USA/Canada  
**Fax:** 480-829-7709 or 800-344-3867 Toll Free USA/Canada  
**Email:** [orderlit@onsemi.com](mailto:orderlit@onsemi.com)

**N. American Technical Support:** 800-282-9855 Toll Free  
USA/Canada

**Japan:** ON Semiconductor, Japan Customer Focus Center  
2-9-1 Kamimeguro, Meguro-ku, Tokyo, Japan 153-0051  
**Phone:** 81-3-5773-3850

**ON Semiconductor Website:** <http://onsemi.com>

**Order Literature:** <http://www.onsemi.com/litorder>

For additional information, please contact your  
local Sales Representative.

## Looking for pricing, stock, or lifecycle information?

Click below to explore more details on WIN SOURCE:

 [View NCN2500MNR2 on WIN SOURCE](#)

 [ON Semiconductor](#) Information

## Optimize Your Supply Chain with WIN SOURCE Solutions

-  Global Sourcing Solution
-  Obsolete Management
-  Cost Control Management
-  Shortage Management
-  Alternative Solution
-  Excess Inventory Management